



# Southaven®

## Top-mount Kitchen Sink

### R11855-3

#### Features

- Double (equal) rectangular bowls.
- Three faucet holes.
- Satin deck and luster bowl finishes.
- SilentShield® sound-absorption technology offers quieter performance.
- 33" (838 mm) x 22" (559 mm) x 8-1/2" (216 mm)

#### Material

- 18-gauge stainless steel.

#### Installation

- Top-mount.

#### Recommended Accessories

7400 Duostrainer™ Sink Strainer  
11861 Sink Rack  
K-6139 Sponge Caddy

#### Components

Product includes:  
1150001 Installation Clips

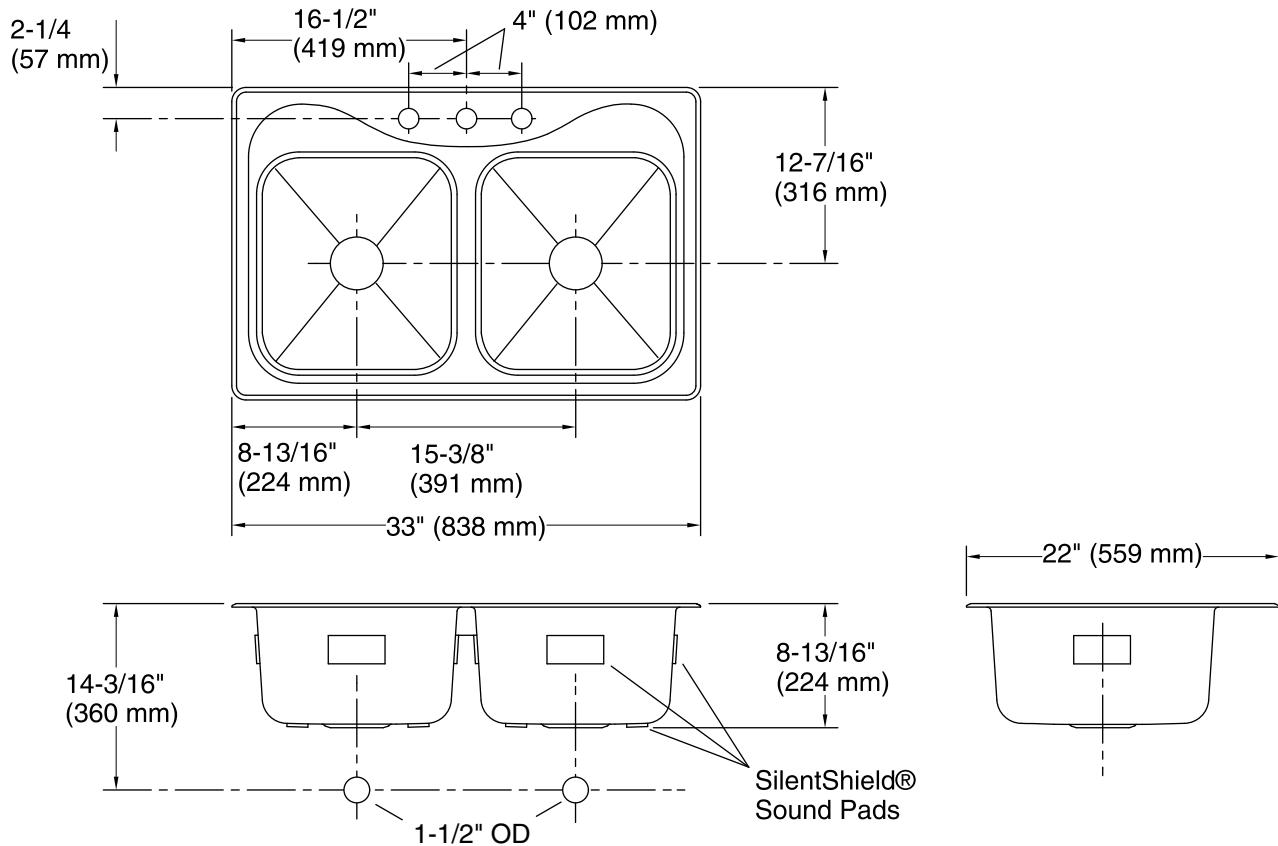


#### Codes/Standards

ASME A112.19.3/CSA B45.4

#### STERLING® Warranty - Stainless Steel Sinks

See website for detailed warranty information.



### Technical Information

All product dimensions are nominal.

Bowl configuration: Double equal

Installation: Top-mount

Cutout: Top-mount, 32-1/2" x 21-1/2" (826 mm x 546 mm) with 1/2" (13 mm) radius corners

Bowl area (Left) Length: 14" (356 mm)

Width: 15-1/8" (384 mm)

Bowl depth: 8-1/2" (216 mm)

Water depth: 8-1/2" (216 mm)

Bowl area (Right) Length: 14" (356 mm)

Width: 15-1/8" (384 mm)

Bowl depth: 8-1/2" (216 mm)

Water depth: 8-1/2" (216 mm)

Number of deck holes: 3

Faucet hole(s): 1-7/16" (37 mm)

Drain hole: 3-5/8" (92 mm)

### Notes

Install this product according to the installation instructions.

Measure your actual product for roughing-in details.