



OPERATOR'S MANUAL

MANUEL D'UTILISATION

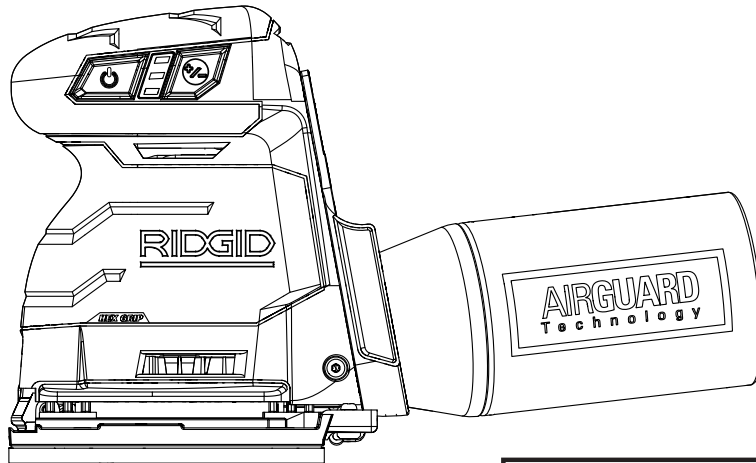
MANUAL DEL OPERADOR

18 VOLT 1/4 SHEET SANDER

PONCEUSE 1/4 DE FEUILLE DE 18 V

LIJADORA DE 1/4 DE HOJA DE 18 V

R86064



To register your RIDGID® product, please visit: <http://register.RIDGID.com>

Pour enregistrer votre produit de RIDGID®, s'il vous plaît la visite : <http://register.RIDGID.com>

Para registrar su producto de RIDGID®, por favor visita: <http://register.RIDGID.com>

TABLE OF CONTENTS

- General Power Tool Safety Warnings.....2-3
- Sander Safety Warnings.....3
- Symbols.....4
- Features.....5
- Assembly.....5
- Operation.....5-7
- Maintenance.....8
- Illustrations9-10
- Parts Ordering/Service.....Back page

⚠ WARNING:

To reduce the risk of injury, the user must read and understand the operator's manual before using this product.

TABLE DES MATIÈRES

- Avertissements de sécurité générales relatives aux outils électriques.....2-3
- Avertissements de sécurité relatifs ponceuse3
- Symboles.....4
- Caractéristiques5
- Assemblage.....5
- Utilisation.....5-7
- Entretien8
- Illustrations9-10
- Commande de pièces / dépannage.....Page arrière

⚠ AVERTISSEMENT :

Pour réduire les risques de blessures, l'utilisateur doit lire et veiller à bien comprendre le manuel d'utilisation avant d'utiliser ce produit.

ÍNDICE DE CONTENIDO

- Advertencias de seguridad generales para la herramienta eléctrica2-3
- Advertencias de seguridad de lijadora3
- Símbolos4
- Características5
- Armado.....5
- Funcionamiento.....5-8
- Mantenimiento.....8
- Ilustraciones9-10
- Pedidos de repuestos/servicio.....Pág. posterior

⚠ ADVERTENCIA:

Para reducir el riesgo de lesiones, el usuario debe leer y comprender el manual del operador antes de usar este producto.

SAVE THIS MANUAL FOR FUTURE REFERENCE

CONSERVER CE MANUEL POUR FUTURE RÉFÉRENCE

GUARDE ESTE MANUAL PARA FUTURAS CONSULTAS

GENERAL POWER TOOL SAFETY WARNINGS



WARNING

Read all safety warnings, instructions, illustrations and specifications provided with this power tool.

Failure to follow all instructions listed below may result in electric shock, fire and/or serious injury.

Save all warnings and instructions for future reference.

The term “power tool” in the warnings refers to your mains-operated (corded) power tool or battery-operated (cordless) power tool.

WORK AREA SAFETY

- **Keep work area clean and well lit.** Cluttered or dark areas invite accidents.
- **Do not operate power tools in explosive atmospheres, such as in the presence of flammable liquids, gases or dust.** Power tools create sparks which may ignite the dust or fumes.
- **Keep children and bystanders away while operating a power tool.** Distractions can cause you to lose control.

ELECTRICAL SAFETY

- **Power tool plugs must match the outlet. Never modify the plug in any way. Do not use any adapter plugs with earthed (grounded) power tools.** Unmodified plugs and matching outlets will reduce risk of electric shock.
- **Avoid body contact with earthed or grounded surfaces, such as pipes, radiators, ranges and refrigerators.** There is an increased risk of electric shock if your body is earthed or grounded.
- **Do not expose power tools to rain or wet conditions.** Water entering a power tool will increase the risk of electric shock.
- **Do not abuse the cord. Never use the cord for carrying, pulling or unplugging the power tool. Keep cord away from heat, oil, sharp edges or moving parts.** Damaged or entangled cords increase the risk of electric shock.
- **When operating a power tool outdoors, use an extension cord suitable for outdoor use.** Use of a cord suitable for outdoor use reduces the risk of electric shock.
- **If operating a power tool in a damp location is unavoidable, use a ground fault circuit interrupter (GFCI) protected supply.** Use of a GFCI reduces the risk of electric shock.
- **Use this product only with batteries and chargers listed in tool/appliance/battery pack/charger correlation supplement 988000-302.**

PERSONAL SAFETY

- **Stay alert, watch what you are doing and use common sense when operating a power tool. Do not use a power tool while you are tired or under the influence of drugs, alcohol or medication.** A moment of inattention while operating power tools may result in serious personal injury.

- **Use personal protective equipment. Always wear eye protection.** Protective equipment such as dust mask, non-skid safety shoes, hard hat, or hearing protection used for appropriate conditions will reduce personal injuries.
- **Prevent unintentional starting. Ensure the switch is in the off-position before connecting to power source and/or battery pack, picking up or carrying the tool.** Carrying power tools with your finger on the switch or energizing power tools that have the switch on invites accidents.
- **Remove any adjusting key or wrench before turning the power tool on.** A wrench or a key left attached to a rotating part of the power tool may result in personal injury.
- **Do not overreach. Keep proper footing and balance at all times.** This enables better control of the power tool in unexpected situations.
- **Dress properly. Do not wear loose clothing or jewelry. Keep your hair, clothing and gloves away from moving parts.** Loose clothes, jewelry or long hair can be caught in moving parts.
- **If devices are provided for the connection of dust extraction and collection facilities, ensure these are connected and properly used.** Use of dust collection can reduce dust-related hazards.
- **Do not let familiarity gained from frequent use of tools allow you to become complacent and ignore tool safety principles.** A careless action can cause severe injury within a fraction of a second.
- **Do not wear loose clothing or jewelry.** Contain long hair. Loose clothes, jewelry, or long hair can be drawn into air vents.
- **Do not use on a ladder or unstable support.** Stable footing on a solid surface enables better control of the power tool in unexpected situations.

POWER TOOL USE AND CARE

- **Do not force the power tool. Use the correct power tool for your application.** The correct power tool will do the job better and safer at the rate for which it was designed.
- **Do not use the power tool if the switch does not turn it on and off.** Any power tool that cannot be controlled with the switch is dangerous and must be repaired.
- **Disconnect the plug from the power source and/or remove the battery pack, if detachable, from the power tool before making any adjustments, changing accessories, or storing power tools.** Such preventive safety measures reduce the risk of starting the power tool accidentally.
- **Store idle power tools out of the reach of children and do not allow persons unfamiliar with the power tool or these instructions to operate the power tool.** Power tools are dangerous in the hands of untrained users.
- **Maintain power tools and accessories. Check for misalignment or binding of moving parts, breakage of parts and any other condition that may affect the power tool’s operation. If damaged, have the power tool repaired before use.** Many accidents are caused by poorly maintained power tools.

GENERAL POWER TOOL SAFETY WARNINGS

- **Keep cutting tools sharp and clean.** Properly maintained cutting tools with sharp cutting edges are less likely to bind and are easier to control.
- **Use the power tool, accessories and tool bits etc. in accordance with these instructions, taking into account the working conditions and the work to be performed.** Use of the power tool for operations different from those intended could result in a hazardous situation.
- **Keep handles and grasping surfaces dry, clean and free from oil and grease.** Slippery handles and grasping surfaces do not allow for safe handling and control of the tool in unexpected situations.

BATTERY TOOL USE AND CARE




- **Recharge only with the charger specified by the manufacturer.** A charger that is suitable for one type of battery pack may create a risk of fire when used with another battery pack.
- **Use power tools only with specifically designated battery packs.** Use of any other battery packs may create a risk of injury and fire.
- **When battery pack is not in use, keep it away from other metal objects, like paper clips, coins, keys, nails, screws or other small metal objects, that can make a connection from one terminal to another.** Shorting the battery terminals together may cause burns or a fire.

SANDER SAFETY WARNINGS







- **Under abusive conditions, liquid may be ejected from the battery; avoid contact. If contact accidentally occurs, flush with water. If liquid contacts eyes, additionally seek medical help.** Liquid ejected from the battery may cause irritation or burns.
 - **Do not use a battery pack or tool that is damaged or modified.** Damaged or modified batteries may exhibit unpredictable behavior resulting in fire, explosion, or risk of injury.
 - **Do not expose a battery pack or tool to fire or excessive temperature.** Exposure to fire or temperature above 265° F may cause explosion.
 - **Follow all charging instructions and do not charge the battery pack or tool outside the temperature range specified in the instructions.** Charging improperly or at temperatures outside the specified range may damage the battery and increase the risk of fire.
- ## SERVICE
- **Have your power tool serviced by a qualified repair person using only identical replacement parts.** This will ensure that the safety of the power tool is maintained.
 - **Never service damaged battery packs.** Service of battery packs should only be performed by the manufacturer or authorized service providers.
- **Hold the power tool by insulated gripping surfaces, when performing an operation where the cutting accessory may contact hidden wiring.** Cutting accessory contacting a “live” wire may make exposed metal parts of the power tool “live” and could give the operator an electric shock.
 - **Know your power tool. Read operator’s manual carefully. Learn its applications and limitations, as well as the specific potential hazards related to this power tool.** Following this rule will reduce the risk of electric shock, fire, or serious injury.
 - **Always wear eye protection with side shields marked to comply with ANSI Z87.1 when assembling parts, operating the tool, or performing maintenance.** Following this rule will reduce the risk of serious personal injury.
 - **Protect your lungs. Wear a face or dust mask if the operation is dusty.** Following this rule will reduce the risk of serious personal injury.
 - **Protect your hearing. Wear hearing protection during extended periods of operation.** Following this rule will reduce the risk of serious personal injury.
 - **Battery tools do not have to be plugged into an electrical outlet; therefore, they are always in operating condition. Be aware of possible hazards when not using your battery tool or when changing accessories.** Following this rule will reduce the risk of electric shock, fire, or serious personal injury.
 - **Do not place battery tools or their batteries near fire or heat.** This will reduce the risk of explosion and possibly injury.
 - **Do not crush, drop or damage battery pack. Do not use a battery pack or charger that has been dropped or received a sharp blow.** A damaged battery is subject to explosion. Properly dispose of a dropped or damaged battery immediately.
 - **Batteries can explode in the presence of a source of ignition, such as a pilot light.** To reduce the risk of serious personal injury, never use any cordless product in the presence of open flame. An exploded battery can propel debris and chemicals. If exposed, flush with water immediately.
 - **Do not charge battery tool in a damp or wet location. Do not use, store, or charge battery packs or products in locations where the temperature is less than 50°F or more than 100°F.** Do not store outside or in vehicles.
 - **Under extreme usage or temperature conditions, battery leakage may occur. If liquid comes in contact with your skin, wash immediately with soap and water. If liquid gets into your eyes, flush them with clean water for at least 10 minutes, then seek immediate medical attention.** Following this rule will reduce the risk of serious personal injury.
 - **Save these instructions.** Refer to them frequently and use them to instruct others who may use this tool. If you loan someone this tool, loan them these instructions also.

SYMBOLS

The following signal words and meanings are intended to explain the levels of risk associated with this product.

SYMBOL	SIGNAL	MEANING
	DANGER:	Indicates a hazardous situation, which, if not avoided, will result in death or serious injury.
	WARNING:	Indicates a hazardous situation, which, if not avoided, could result in death or serious injury.
	CAUTION:	Indicates a hazardous situation, that, if not avoided, may result in minor or moderate injury.
	NOTICE:	(Without Safety Alert Symbol) Indicates information considered important, but not related to a potential injury (e.g. messages relating to property damage).

Some of the following symbols may be used on this product. Please study them and learn their meaning. Proper interpretation of these symbols will allow you to operate the product better and safer.

SYMBOL	NAME	DESIGNATION/EXPLANATION
	Safety Alert	Indicates a potential personal injury hazard.
	Read Operator's Manual	To reduce the risk of injury, user must read and understand operator's manual before using this product.
	Eye Protection	Always wear eye protection with side shields marked to comply with ANSI Z87.1 when operating this equipment.
	Wet Conditions Alert	Do not expose to rain or use in damp locations.
	Recycle Symbol	This product uses lithium-ion (Li-ion) batteries. Local, state or federal laws may prohibit disposal of batteries in ordinary trash. Consult your local waste authority for information regarding available recycling and/or disposal options.
V	Volts	Voltage
min	Minutes	Time
	Direct Current	Type or a characteristic of current
n_0	No Load Speed	Rotational speed, at no load
.../min	Per Minute	Revolutions, strokes, surface speed, orbits etc., per minute

FEATURES

PRODUCT SPECIFICATIONS

Size of Paper 1/4 Sheet
Motion Orbital Action

Orbit Diameter 1/16 in.
No Load Speed 14,000 /min.

ASSEMBLY

WARNING:

Do not use this product if it is not completely assembled or if any parts appear to be missing or damaged. Use of a product that is not properly and completely assembled or with damaged or missing parts could result in serious personal injury.

WARNING:

Do not attempt to modify this product or create accessories or attachments not recommended for use with this product. Any such alteration or modification is misuse and could result in a hazardous condition leading to possible serious personal injury.

If any parts are damaged or missing, please call 1-866-539-1710 for assistance.

OPERATION

WARNING:

Do not allow familiarity with this product to make you careless. Remember that a careless fraction of a second is sufficient to inflict serious injury.

WARNING:

Always remove battery pack from the tool when you are assembling parts, making adjustments, cleaning, or when not in use. Removing battery pack will prevent accidental starting that could cause serious personal injury.

WARNING:

Always wear eye protection with side shields marked to comply with ANSI Z87.1. Failure to do so could result in objects being thrown into your eyes and other possible serious injuries.

WARNING:

Do not use any attachments or accessories not recommended by the manufacturer of this product. The use of attachments or accessories not recommended can result in serious personal injury.

APPLICATIONS

You may use this product for the purposes listed below:

- Sanding wood or wood product surfaces
- Sanding steel surfaces
- Removing rust from steel surfaces

INSTALLING/REMOVING BATTERY PACK

See Figure 1, page 10.

To install:

- Insert the battery pack.
- Make sure the latches on each side of the battery pack snap into place and the battery pack is secured in the product before beginning operation.

To remove:

- Depress the latches on each side of the battery pack.

For complete charging instructions, see the operator's manuals for your battery pack and charger.

TURNING THE SANDER ON/OFF

See Figure 2, page 10.

To turn the sander ON:

- Insert the battery pack.
- Push and release the **ON/OFF** button.

To turn the sander OFF:

- Push and release the **ON/OFF** button.

NOTE: The tool is always in the OFF mode when a battery pack is not installed.

SANDPAPER SELECTION

Selecting the correct size grit and type sandpaper is an extremely important step in achieving a high quality sanded finish. Aluminum oxide, silicon carbide, and other synthetic abrasives are best for power sanding. Natural abrasives, such as flint and garnet, are too soft for economical use in power sanding.

OPERATION

In general, coarse grit will remove the most material and finer grit will produce the best finish in all sanding operations. The condition of the surface to be sanded will determine which grit will do the job. If the surface is rough, start with a coarse grit and sand until the surface is uniform. Medium grit may then be used to remove scratches left by the coarser grit and finer grit used for finishing of the surface. Always continue sanding with each grit until surface is uniform.

NOTE: DO NOT use sander without sandpaper. Doing so will damage the sanding pad.

WARNING:

Always remove the battery pack when attaching or changing sanding sheets. Failure to do so could cause accidental starting, leading to serious personal injury.

INSTALLING STANDARD SANDPAPER

See Figure 3, page 10.

- Remove the battery pack.
- Inspect sandpaper before installing; do not use if damaged or defective.
- If replacing sandpaper, remove old sandpaper. To remove paper, release the rear paper clamp by lifting up on the lever (marked 2) and allowing the rear clamp to open. Push and hold the button (marked 1) on the front of the sander to open the front paper clamp and remove the sandpaper.
- Push and hold button (marked 1) on the front of the sander to open the front paper clamp and insert the sandpaper into the clamp.
- Wrap sandpaper around the cushion. Lift the lever on the side of the sander to open the rear paper clamp (marked 2) and insert the loose end of the sandpaper under the paper clamp. Fit the sandpaper against the cushion tightly.
- Push down on the lever to close the paper clamp and lock into place.

PAPER PUNCH

See Figure 3, page 10.

A paper punch template is supplied with the sander for aligning and punching holes in sandpaper. The punched holes must align with the holes in the sanding pad.

An outline of the sander is printed onto the paper punch to help you correctly position the sandpaper before punching.

- Install sandpaper on the sander.
- Align the sanding pad over the paper punch.
- Push down on sander.

INSTALLING PRESSURE SENSITIVE ADHESIVE (PSA) SANDPAPER

See Figure 4, page 11.

Inspect sandpaper before installing. **DO NOT** use damaged or defective sandpaper.

- Remove the battery pack.
- If replacing sandpaper, remove old sandpaper by peeling it off the sanding pad. If removing standard sandpaper, see **Installing Standard Sandpaper**.
- Carefully peel adhesive backing from new 1/4 sheet sandpaper.
- Position sandpaper, making sure front edge of sandpaper is aligned with front edge of the sanding pad, then carefully press sticky side of sandpaper on pad.

NOTE: Sandpaper must be aligned with the front edge of the pad for proper functioning of the flush sanding feature.

REMOVING PSA SANDPAPER BEFORE STORAGE

Do not store the sander with the sandpaper installed. Heat generated from sanding causes the pressure sensitive adhesive to flow and form a tight bond between the backing pad and sandpaper.

Removing the sandpaper soon after you have finished a sanding operation avoids letting the adhesive set up. If the sandpaper is left on the backing pad for an extended period of time after use, the adhesive will set up and cause the sandpaper to become difficult to remove.

PSA sandpaper may also tear when removing. When this situation occurs, it becomes difficult to clean the backing pad for the next sheet of sandpaper.

NOTE: If you forget to remove the sandpaper after a sanding operation, sand for a few minutes to soften the adhesive backing before attempting to remove sandpaper.

INSTALLING THE DUST BAG

See Figure 5, page 11.

- Align grooves on dust bag with notches on sander dust exhaust.
- Slide dust bag onto dust exhaust.
- Turn clockwise until the bag is in the LOCK position.

OPERATION

ATTACHING THE SANDER TO A VACUUM

See Figures 5 - 6, page 11.

The sander can be connected directly to a 1-1/4 in. or a 1-7/8 in. diameter vacuum hose. The included adaptor allows the sander to be connected to a 2-1/2 in. diameter vacuum hose.

To install a 1-1/4 in. diameter vacuum hose:

- Remove the battery pack.
- Turn the dust bag counterclockwise to the **UNLOCK** position to remove it from the sander.
- Attach the vacuum hose to dust exhaust.

NOTE: Vacuum hose fits inside the dust exhaust port.

To install a 1-7/8 in. diameter vacuum hose:

- Remove the battery pack.
- Turn the dust bag counterclockwise to the **UNLOCK** position to remove it from the sander.
- Attach the vacuum hose to dust exhaust.

NOTE: Vacuum hose fits over the dust exhaust port.

To install a 2-1/2 in. diameter vacuum hose:

- Remove the battery pack.
- Turn the dust bag counterclockwise to the **UNLOCK** position to remove it from the sander.
- Attach the 2-1/2 in. hose adaptor by sliding the narrow end of the adaptor over the exhaust port of the sander.
- Attach the vacuum hose to dust exhaust.

NOTE: Vacuum hose fits inside the adaptor.

WARNING:

When the sander is not connected to a vacuum, always reinstall the dust bag onto the sander. Failure to do so could cause sanding dust or foreign objects to be thrown into your face or eyes which could result in possible serious injury.

To reinstall the dust bag:

- Remove the battery pack and vacuum hose.
- Align grooves on dust bag with notches on sander dust exhaust.
- Slide dust bag onto dust exhaust.
- Turn clockwise until the bag is in the **LOCK** position.

OPERATING THE SANDER

See Figure 7, page 11.

To operate the sander:

- Secure the workpiece to prevent it from moving under the sander.

WARNING:

Unsecured workpieces could be thrown towards the operator, causing injury.

WARNING:

Keep your head away from the sander and the sanding area. Your hair could be drawn into the sander causing serious injury.

- Place the sander on the workpiece so that all of the sanding pad surface is in contact with the workpiece.

NOTICE:

Be careful not to let your hand cover the air vents.

- Turn on the sander and move it slowly over the workpiece.
- Make successive passes in parallel lines, circles, or crosswise movements.
- Turn off the sander and wait until the sanding pad comes to a complete stop before removing it from the workpiece.

Do not force. The weight of the unit supplies adequate pressure, so let the sanding pad and sander do the work. Applying additional pressure slows the motor, rapidly wears the sanding pad and greatly reduces sander speed. Excessive pressure will overload the motor causing possible damage from motor overheating and can result in inferior work. Any finish or resin on wood may soften from the frictional heat. Do not allow sanding on one spot too long as the sander's rapid action may remove too much material, making the surface uneven.




Extended periods of sanding may tend to overheat the motor. If this occurs, turn sander off and wait until sanding pad comes to a complete stop, then remove it from workpiece. Remove your hand from vent area, remove sanding pad, then with your hand removed from vent area, turn sander on and run it free without a load to cool the motor.

VARIABLE SPEED TOGGLE BUTTON

See Figure 8, page 11.

The variable speed toggle button allows three sanding speed adjustments from high speed, medium speed and low speed. The sander will always start at HIGH speed when turned on. Each press of the toggle button will lower speed to MEDIUM and then to LOW. When pressed again, the speed will change back to HIGH.

NOTE: The speed can only be changed in this sequence. The LED light indicator lights show which speed is selected;

LED FUNCTIONS	SPEED
	High
	Medium
	Low

OPERATION

EMPTYING THE DUST BAG

See Figure 5, page 11.

For more efficient operation, empty the dust bag when it is no more than half full. This will permit the air to flow through the bag better. Always empty and clean the dust bag thoroughly upon completion of a sanding operation and before placing the sander in storage.

WARNING:

Collected sanding dust from sanding surface coatings such as polyurethanes, linseed oil, etc. can self-ignite in the sander dust bag or elsewhere and cause fire. To reduce the risk of fire always empty the dust bag frequently (10-15 minutes) while sanding and never store or leave a sander without totally emptying its dust bag. Also follow the recommendations of coating manufacturers.

To empty the dust bag:

- Remove the battery pack.
- Turn the dust bag counterclockwise to the **UNLOCK** position to remove it from the sander.
- Shake out the dust.
- Reattach the dust bag to the sander by sliding the bag on to the dust port and turning it clockwise until the bag is in the **LOCK** position.

MAINTENANCE

WARNING:

When servicing, use only identical replacement parts. Use of any other parts could create a hazard or cause product damage.

GENERAL MAINTENANCE

Avoid using solvents when cleaning plastic parts. Most plastics are susceptible to damage from various types of commercial solvents and may be damaged by their use. Use clean cloths to remove dirt, dust, oil, grease, etc.

NOTE: ILLUSTRATIONS START ON PAGE 10 AFTER FRENCH AND SPANISH LANGUAGE SECTIONS.

This product has a 90-Day Satisfaction Guarantee Policy, as well as a Three-year Limited Warranty. For Warranty and Policy details, please go to www.RIDGID.com or call (toll free) 1-866-539-1710.

AVERTISSEMENTS DE SÉCURITÉ GÉNÉRALES RELATIVES AUX OUTILS ÉLECTRIQUES



AVERTISSEMENT

Lire les avertissements de sécurité, les instructions et les précisions et consulter les illustrations fournis avec cet outil électrique. Le fait de ne pas se conformer à l'ensemble des consignes présentées ci-dessous risque d'entraîner des décharges électriques, un incendie et/ou des blessures graves.

Conserver les avertissements et les instructions à des fins de référence ultérieure. Le terme « outil électrique », utilisé dans tous les avertissements ci-dessous désigne tout outil fonctionnant sur secteur (câblé) ou sur piles (sans fil).

SÉCURITÉ DU LIEU DE TRAVAIL

- **Garder le lieu de travail propre et bien éclairé.** Les endroits encombrés ou sombres sont propices aux accidents.
- **Ne pas utiliser d'outils électriques dans des atmosphères explosives, par exemple en présence de liquides, gaz ou poussières inflammables.** Les outils électriques produisent des étincelles risquant d'enflammer les poussières ou vapeurs.
- **Garder les enfants et badauds à l'écart pendant l'utilisation d'un outil électrique.** Les distractions peuvent causer une perte de contrôle.

SÉCURITÉ ÉLECTRIQUE

- **Les fiches des outils électriques doivent correspondre à la prise secteur utilisée. Ne jamais modifier la fiche, de quelque façon que ce soit. Ne jamais utiliser d'adaptateurs de fiche avec des outils mis à la terre.** Les fiches et prises non modifiées réduisent le risque de choc électrique.
- **Éviter tout contact du corps avec des surfaces mises à la terre, telles que tuyaux, radiateurs, cuisinières et réfrigérateurs.** Le risque de choc électrique est accru lorsque le corps est mis à la terre.
- **Ne pas exposer les outils électriques à l'eau ou l'humidité.** La pénétration d'eau dans ces outils accroît le risque de choc électrique.
- **Ne pas maltraiter le cordon d'alimentation. Ne jamais utiliser le cordon d'alimentation pour transporter l'outil et ne jamais débrancher ce dernier en tirant sur le cordon. Garder le cordon à l'écart de la chaleur, de l'huile, des objets tranchants et des pièces en mouvement.** Un cordon endommagé ou emmêlé accroît le risque de choc électrique.
- **Pour les travaux à l'extérieur, utiliser un cordon spécialement conçu à cet effet.** Utiliser un cordon conçu pour l'usage extérieur pour réduire les risques de choc électrique.
- **S'il est nécessaire d'utiliser l'outil électrique dans un endroit humide, employer un dispositif interrupteur de défaut à la terre (GFCI).** L'utilisation d'un GFCI réduit le risque de décharge électrique.
- **Utiliser ce produit seulement avec les piles et les chargeurs indiqués dans le supplément de raccordement pour chargeur/outils/piles/appareil n° 988000-302.**

SÉCURITÉ PERSONNELLE

- **Rester attentif, prêter attention au travail et faire preuve de bon sens lors de l'utilisation de tout outil électrique. Ne pas utiliser cet outil en état de fatigue ou sous l'influence de l'alcool, de drogues ou de médicaments.** Un moment d'inattention pendant l'utilisation d'un outil électrique peut entraîner des blessures graves.

- **Utiliser l'équipement de sécurité. Toujours porter une protection oculaire.** L'équipement de sécurité, tel qu'un masque filtrant, de chaussures de sécurité, d'un casque ou d'une protection auditive, utilisé dans des conditions appropriées réduira le risque de blessures.
- **Éviter les démarrages accidentels. S'assurer que le commutateur est en position d'arrêt avant de brancher l'outil.** Porter un outil avec le doigt sur son commutateur ou brancher un outil dont le commutateur est en position de marche peut causer un accident.
- **Retirer les clés de réglage avant de mettre l'outil en marche.** Une clé laissée sur une pièce rotative de l'outil peut causer des blessures.
- **Ne pas travailler hors de portée. Toujours se tenir bien campé et en équilibre.** Ceci permettra de mieux contrôler l'outil en cas de situation imprévue.
- **Porter une tenue appropriée. Ne porter ni vêtements amples, ni bijoux. Garder les cheveux, les vêtements et les gants à l'écart des pièces en mouvement.** Les vêtements amples, bijoux et cheveux longs peuvent se prendre dans les pièces en mouvement.
- **Si les outils sont équipés de dispositifs de dépoussiérage, s'assurer qu'ils sont connectés et correctement utilisés.** L'usage de ces dispositifs de dépoussiérage peut réduire les dangers présentés par la poussière.
- **Malgré votre expérience acquise par l'utilisation fréquente des outils, soyez toujours vigilant et respectez les principes de sécurité relatifs aux outils.** Il s'agit d'une fraction de seconde pour qu'un geste irréfléchi puisse causer de graves blessures.
- **Ne porter ni vêtements amples, ni bijoux. Attacher ou couvrir les cheveux longs.** Les vêtements amples, bijoux et cheveux longs peuvent se prendre dans les ouïes d'aération.
- **Ne pas utiliser l'outil sur une échelle ou un support instable.** Une bonne tenue et un bon équilibre permettent de mieux contrôler l'outil en cas de situation imprévue.

UTILISATION ET ENTRETIEN DES OUTILS ÉLECTRIQUES

- **Ne pas forcer l'outil. Utiliser l'outil approprié pour l'application.** Un outil approprié exécutera le travail mieux et de façon moins dangereuse s'il est utilisé dans les limites prévues.
- **Ne pas utiliser l'outil si le commutateur ne permet pas de le mettre en marche ou de l'arrêter.** Tout outil qui ne peut pas être contrôlé par son commutateur est dangereux et doit être réparé.
- **Débrancher l'outil et/ou retirer le bloc-piles avant d'effectuer des réglages, de changer d'accessoire ou de remiser l'outil.** Ces mesures de sécurité préventives réduisent les risques de démarrage accidentel de l'outil.
- **Ranger les outils motorisés hors de la portée des enfants et ne laisser personne n'étant pas familiarisé avec l'outil ou ces instructions utiliser l'outil.** Dans les mains de personnes n'ayant pas reçu des instructions adéquates, les outils sont dangereux.
- **Entretien les outils motorisés. Vérifier qu'aucune pièce mobile n'est mal alignée ou bloquée, qu'aucune pièce n'est brisée et s'assurer qu'aucun autre problème ne risque d'affecter le bon fonctionnement de l'outil. En cas de dommages faire réparer l'outil avant de l'utiliser de nouveau.** Beaucoup d'accidents sont causés par des outils mal entretenus.
- **Garder les outils bien affûtés et propres.** Des outils correctement entretenus et dont les tranchants sont bien affûtés risquent moins de se bloquer et sont plus faciles à contrôler.

AVERTISSEMENTS DE SÉCURITÉ GÉNÉRALES RELATIVES AUX OUTILS ÉLECTRIQUES

- **Utiliser l'outil, les accessoires et embouts, etc. conformément à ces instructions pour les applications pour lesquelles ils sont conçus, en tenant compte des conditions et du type de travail à exécuter.** L'usage d'un outil motorisé pour des applications pour lesquelles il n'est pas conçu peut être dangereux.
- **Gardez les poignées et les surfaces de prise sèches, propres et exemptes d'huile et de graisse.** Des poignées et des surfaces de prise glissantes empêchent la manipulation et le contrôle sécuritaires de l'outil dans des circonstances imprévues.

UTILISATION ET ENTRETIEN DE LA PILE

- **Ne recharger qu'avec l'appareil spécifié par le fabricant.** Un chargeur approprié pour un type de pile peut créer un risque d'incendie s'il est utilisé avec un autre type de pile.
- **Utiliser exclusivement le bloc-pile spécifiquement indiqué pour l'outil.** L'usage de tout autre bloc peut créer un risque de blessures et d'incendie.
- **Lorsque le bloc-piles n'est pas en usage, le garder à l'écart d'articles tels qu'attaches trombones, pièces de monnaie, clous, vis ou autres petits objets métalliques risquant d'établir le contact entre les deux bornes.** La mise en court-circuit des bornes de piles peut causer des étincelles, des brûlures ou un incendie.
- **En cas d'usage abusif, du liquide peut s'échapper des piles. Éviter tout contact avec ce liquide. En cas de contact accidentel, rincer immédiatement les parties atteintes avec**

de l'eau. En cas d'éclaboussure dans les yeux consulter un médecin. Le liquide s'échappant des piles peut causer des irritations ou des brûlures.

- **Ne pas utiliser un bloc-piles ou un outil endommagé ou modifié.** Les piles endommagées ou modifiées peuvent produire un comportement imprévisible pouvant provoquer un incendie, une explosion ou des blessures.
- **Ne pas exposer le bloc-piles ou l'outil près d'un incendie ou à une température extrême.** L'exposition à un incendie ou à une température supérieure à 130 °C (265 °F) représente un risque d'explosion.
- **Suivre toutes les instructions afférentes à la recharge et ne pas recharger le bloc-piles ou l'outil hors des températures spécifiées dans les instructions.** Une recharge incorrecte ou hors des températures spécifiées peut endommager la pile et augmenter les risques de feu.

DÉPANNAGE

- **Les réparations doivent être confiées à un technicien qualifié, utilisant exclusivement des pièces identiques à celles d'origine.** Ceci assurera le maintien de la sécurité de l'outil.
- **Ne réparez jamais de blocs-piles endommagés.** Seuls le fabricant et les fournisseurs de service autorisés doivent effectuer la réparation ou l'entretien des blocs-piles.




AVERTISSEMENTS DE SÉCURITÉ RELATIFS PONCEUSE

- **Lorsque l'outil est utilisé pour un travail risquant de le mettre en contact avec des fils électriques cachés, le tenir par les surfaces de prise isolées.** Le contact d'un accessoire de coupe avec un fil sous tension « électrifie » les pièces métalliques exposées de l'outil et peut électrocuter l'utilisateur.
- **Apprendre à connaître l'outil. Lire attentivement le manuel d'utilisation. Apprendre les applications et les limites de l'outil, ainsi que les risques spécifiques relatifs à son utilisation.** Le respect de cette consigne réduira les risques d'incendie, de choc électrique et de blessures graves.
- **Toujours porter une protection oculaire munie d'écrans latéraux certifiée conforme à la norme ANSI Z87.1 lors du montage des pièces, du fonctionnement de l'outil ou au moment de l'entretien.** Le respect de cette règle réduira les risques de blessures graves.
- **Protection respiratoire. Porter un masque facial ou un masque antipoussière si le travail produit de la poussière.** Le respect de cette consigne réduira les risques de blessures graves.
- **Protection auditive. Porter une protection auditive lors de l'utilisation prolongée.** Le respect de cette règle réduira les risques de blessures graves.
- **Les outils fonctionnant sur piles n'ayant pas besoin d'être branchés sur une prise secteur, ils sont toujours en état de fonctionnement. Tenir compte des dangers possibles lorsque l'outil n'est pas en usage et lors du remplacement des piles.** Le respect de cette consigne réduira les risques d'incendie, de choc électrique et de blessures graves.
- **Ne pas placer les outils électriques sans fil ou leurs piles à proximité de flammes ou d'une source de chaleur.** Ceci réduira les risques d'explosion et de blessures.






- **Ne pas écraser, faire tomber ou endommager le bloc-piles. Ne jamais utiliser un bloc-piles ou un chargeur qui est tombé, a été écrasé, a reçu un choc violent ou a été endommagé de quelque façon que ce soit.** Une pile endommagée risque d'exploser. Éliminer immédiatement toute pile endommagée, selon une méthode appropriée.
- **Les piles peuvent exploser en présence d'une source d'allumage, telle qu'une veilleuse.** Pour réduire les risques de blessures graves, ne jamais utiliser un appareil sans fil, quel qu'il soit, en présence d'une flamme vive. En explosant, une pile peut projeter des débris et des produits chimiques. En cas d'exposition, rincer immédiatement les parties atteintes avec de l'eau.
- **Ne pas recharger un outil fonctionnant sur piles dans un endroit humide ou mouillé. Ne pas utiliser, remiser ou charger le bloc-piles ou produits dans des emplacements où la température est inférieure 10 °C (50 °F) à ou supérieure à 38 °C (100 °F).** Ne pas ranger l'outil à l'extérieur ou dans un véhicule.
- **Si l'outil est utilisé de façon intensive ou sous des températures extrêmes, des fuites de pile peuvent se produire. En cas de contact du liquide avec la peau, rincer immédiatement la partie atteinte avec de l'eau. En cas d'éclaboussure dans les yeux, les rincer à l'eau fraîche pendant au moins 10 minutes, puis contacter immédiatement un médecin.** Le respect de cette règle réduira les risques de blessures graves.
- **Conserver ces instructions.** Les consulter fréquemment et les utiliser pour instruire les autres utilisateurs éventuels. Si cet outil est prêté, il doit être accompagné de ces instructions.

SYMBOLES

Les termes de mise en garde suivants et leur signification ont pour but d'expliquer le degré de risques associé à l'utilisation de ce produit.

SYMBOLE	SIGNAL	SIGNIFICATION
	DANGER :	Indique une situation dangereuse qui, si elle n'est pas évitée, aura pour conséquences des blessures graves ou mortelles.
	AVERTISSEMENT :	Indique une situation dangereuse qui, si elle n'est pas évitée, pourrait entraîner des blessures graves ou mortelles.
	ATTENTION :	Indique une situation dangereuse qui, si elle n'est pas évitée, pourrait entraîner des blessures légères ou de gravité modérée.
	AVIS :	(Sans symbole d'alerte de sécurité) Indique les informations jugées importantes sans toutefois représenter un risque de blessure (ex. : messages concernant les dommages matériels).

Certains des symboles ci-dessous peuvent être utilisés sur produit. Veiller à les étudier et à apprendre leur signification. Une interprétation correcte de ces symboles permettra d'utiliser produit plus efficacement et de réduire les risques.

SYMBOLE	NOM	DÉSIGNATION / EXPLICATION
	Symbole d'alerte de sécurité	Indique un risque de blessure potentiel.
	Lire le manuel d'utilisation	Pour réduire les risques de blessures, l'utilisateur doit lire et veiller à bien comprendre le manuel d'utilisation avant d'utiliser ce produit.
	Protection oculaire	Toujours porter une protection oculaire munie d'écrans latéraux certifiée conforme à la norme ANSI Z87.1, lors de l'utilisation de cet outil.
	Avertissement concernant l'humidité	Ne pas exposer à la pluie ou l'humidité.
	Symbole de recyclage	Ce produit utilise les piles de lithium-ion (Li-ion). Les réglementations locales ou gouvernementales peuvent interdire de jeter les piles dans les ordures ménagères. Consulter les autorités locales compétentes pour les options de recyclage et/ou l'élimination.
V	Volts	Tension
min	Minutes	Temps
≡	Courant continu	Type ou caractéristique du courant
n_0	Vitesse à vide	Vitesse de rotation à vide
.../min	Par minute	Tours, coups, vitesse périphérique, orbites, etc., par minute

CARACTÉRISTIQUES

FICHE TECHNIQUE

Taille de papier de verre 1/4 de feuilles
Mouvement Orbital

Diamètre d'orbite..... 1,59 mm (1/16 po)
Vitesse à vide 14 000 /min. (OPM)

ASSEMBLAGE

AVERTISSEMENT :

Ne pas utiliser le produit s'il n'est pas complètement assemblé ou si des pièces semblent manquantes ou endommagées. L'utilisation d'un produit dont l'assemblage est incorrect ou incomplet ou comportant des pièces endommagées ou absentes représente un risque de blessures graves.

AVERTISSEMENT :

Ne pas essayer de modifier cet outil ou de créer des pièces et accessoires non recommandés. De telles altérations ou modifications sont considérées comme un usage abusif et peuvent créer des conditions dangereuses, risquant d'entraîner des blessures graves.

Si des pièces manquent ou sont endommagées, veuillez appeler au 1-866-539-1710 pour obtenir de l'aide.

UTILISATION

AVERTISSEMENT :

Ne pas laisser la familiarité avec l'outil faire oublier la prudence. Ne pas oublier qu'une fraction de seconde d'inattention peut entraîner des blessures graves.

AVERTISSEMENT :

Toujours retirer la bloc-pile de l'outil au moment d'assembler des pièces, d'effectuer des réglages et de procéder au nettoyage, ou lorsque l'outil n'est pas utilisé. Si cette précaution n'est pas prise, des objets peuvent être projetés dans les yeux et causer des lésions graves.

AVERTISSEMENT :

Toujours porter une protection oculaire avec écrans latéraux certifiée conforme à la norme ANSI Z87.1. Si une opération dégage de la poussière, porter également un masque anti-poussière.

AVERTISSEMENT :

Ne pas essayer de modifier cet outil ou de créer des accessoires non recommandés pour ce produit. L'utilisation de pièces et accessoires non recommandés peut entraîner des blessures graves.

APPLICATIONS

Cet outil ne doit être utilisé que pour les applications listées ci-dessous.

- Ponçage du bois ou de dérivés du bois
- Ponçage des surfaces en acier
- Élimination de la rouille sur l'acier

INSTALLATION / RETRAIT DU BLOC-PILES

Voir la figure 1, page 10.

Pour installer :

- Installer le bloc-pile sur l'outil.
- S'assurer que ses deux loquets latéraux s'engagent correctement et vérifier que le bloc est solidement assujéti avant d'utiliser l'outil.

Pour retrait :

- Appuyer sur les loquets de chaque côté du bloc-pile.

Pour prendre connaissance des consignes de chargement, consulter le manuel d'utilisation des piles et des chargeurs.

MISE EN MARCHÉ / ARRÊT

Voir la figure 2, page 10.

Pour mettre la ponceuse en marche :

- Installer le bloc-pile sur l'outil.
- Appuyer et relâcher le bouton **MARCHÉ / ARRÊT**.

Arrêter la ponceuse.

- Appuyer et relâcher le bouton **MARCHÉ / ARRÊT**.

NOTE : Le outil est toujours à la mode ARRÊT lorsque le bloc-pile n'est pas installé.

UTILISATION

CHOIX DE PAPIER DE VERRE

Le choix de la taille de grain et du type de papier de verre est essentiel pour l'obtention d'un ponçage de qualité. L'usage d'abrasifs synthétique, tels que ceux à l'oxyde d'aluminium et au carbure de silice est recommandé pour les ponceuses électriques. Les abrasifs naturels, tels que le silex et la grenatite sont trop tendres pour un usage économique avec les ponceuses électriques.

En général, les grains les plus grossiers sont utilisés pour enlever la plus grande partie du matériau, et les grains les plus fins pour obtenir une surface la plus lisse possible. L'état de la surface à poncer détermine la taille de grain à utiliser. Si la surface est rugueuse, commencer avec un grain grossier pour la rendre uniforme. Un grain moyen peut alors être employé pour supprimer les rayures laissées par le grain grossier, avant d'utiliser le grain le plus fin pour obtenir une surface lisse. Toujours poncer avec chaque grain jusqu'à ce que la surface soit uniforme.

NOTE: NE PAS utiliser la ponceuse sans papier de verre. Cela endommagerait le coussinet.

AVERTISSEMENT :

Toujours retirer le bloc de batteries avant d'installer ou de changer les feuilles abrasives. Ne pas prendre cette précaution peut causer un démarrage accidentel, entraînant des blessures graves.

INSTALLATION D'UN PAPIER ABRASIF STANDARD

Voir la figure 3, page 10.

- Retirer le bloc-piles.
- Inspecter le papier abrasif avant de l'installer; ne pas l'utiliser s'il est endommagé ou défectueux.
- S'il faut le remplacer, retirer le papier abrasif usagé. Pour l'enlever, libérer la pince à papier arrière (marquée 2) en soulevant le levier et en laissant la pince s'ouvrir. Maintenir appuyé le bouton (marqué 1) à l'avant de la ponceuse pour ouvrir la pince à papier avant et enlever le papier abrasif.
- Maintenir appuyé le bouton (marquée 1) à l'avant de la ponceuse pour ouvrir la pince à papier avant et insérer le papier abrasif dans la pince.
- Envelopper le papier abrasif autour du coussinet. Soulever le levier sur le côté de la ponceuse pour ouvrir la pince à papier arrière (marquée 2) et insérer l'extrémité libre du papier abrasif sous la pince à papier. Ajuster le papier abrasif fermement contre le coussinet.
- Appuyer sur le levier pour fermer la pince à papier et la verrouiller en place.

PERFORATEUR

Voir la figure 3, page 10.

Un gabarit perforateur, permettant de percer des trous dans le papier de verre correspondant à ceux du coussinet, est fourni avec la ponceuse. Les perforations du papier doivent être alignées sur les trous du coussinet.

Un dessin de la ponceuse est imprimé sur le perforateur à papier pour aider l'utilisateur à placer correctement le papier abrasif avant de le perforer.

- Installer le papier de verre sur la ponceuse.
- Aligner le coussinet de la ponceuse sur le perforateur.
- Appuyer sur la ponceuse.

INSTALLATION DE PAPIER DE VERRE ADHÉSIF

Voir la figure 4, page 11.

Inspecter le papier de verre avant de l'installer. **NE PAS l'utiliser s'il est endommagé ou défectueux.**

- Retirer le bloc-piles.
- Si le papier de verre doit être remplacé, décoller la feuille usée du coussinet. Si du papier abrasif standard doit être retiré, consulter la section intitulée Installation du papier abrasif standard.
- Détacher soigneusement la pellicule protectrice adhésive du nouveau quart de feuille de papier abrasif.
- Positionner le papier de verre en veillant à ce que son bord avant soit bien aligné sur le bord avant du coussinet, puis appliquer soigneusement le côté adhésif du papier sur le coussinet.

NOTE: Le papier de verre doit être aligné sur le bord avant du coussinet afin de ne pas être déchiré ou déchiré par les bords des objets.

RETIRER LE COUSSINET ABRASIF AUTOCOLLANT DU PLATEAU PORTEDISQUE AUTOCOLLANT FACULTATIF AVANT L'ENTREPOSAGE

Ne pas ranger la ponceuse sans avoir retiré le coussinet abrasif. La chaleur produite par le ponçage amollit l'adhésif, ce qui assure une bonne adhésion du coussinet sur le coussinet.

Retirer le coussinet abrasif de la ponceuse peu de temps après avoir fini de l'utiliser, pour éviter le durcissement de l'adhésif. Si le coussinet est laissé sur la ponceuse trop longtemps après utilisation, l'adhésif durcit, ce qui rend le retrait du coussinet difficile.

En outre le coussinet risque d'être déchiré lorsqu'il est retiré. Dans ce cas, il peut être difficile de nettoyer le coussinet pour installer un nouveau coussinet.

NOTE : Si le coussinet n'a pas été retiré après un travail, poncer pendant quelques minutes pour amollir l'adhésif avant d'essayer de retirer le coussinet.

UTILISATION

INSTALLATION DU SAC À SCIURE

Voir la figure 5, page 11.

- Aligner les rainures du sac à poussière avec les encoches de l'orifice d'échappement de poussière.
- Insérer le sac à poussière sur l'orifice d'échappement de poussière.
- Tourner le sac vers la droite jusqu'à ce qu'il se verrouille en place.

RACCORDEMENT DE LA PONCEUSE À UN ASPIRATEUR

Voir les figures 5 - 6, page 11.

La ponceuse peut être directement branchée à un boyau d'aspirateur de 31,75 mm (1-1/4 po) ou 47,62 mm (1-7/8 po) de diamètre. L'adaptateur (inclus) permet de connecter la ponceuse à un boyau d'aspirateur de 63,50 mm (2-1/2 po) de diamètre.

Pour installer un boyau d'aspirateur de 31,75 mm (1-1/4 po) de diamètre :

- Retirer le bloc-piles.
- Tourner le sac à poussière vers la gauche pour le déverrouiller afin de retirer de la ponceuse.
- Brancher le tuyau de l'aspirateur sur l'évacuation de la ponceuse.

NOTE : le boyau d'aspirateur se place dans l'orifice d'échappement de la poussière.

Pour installer un boyau d'aspirateur de 47,62 mm (1-7/8 po) de diamètre :

- Retirer le bloc-piles.
- Tourner le sac à poussière vers la gauche pour le déverrouiller afin de retirer de la ponceuse.
- Brancher le tuyau de l'aspirateur sur l'évacuation de la ponceuse.

NOTE: le boyau d'aspirateur se place par-dessus l'orifice d'échappement de la poussière.

Pour installer un boyau d'aspirateur de 63,50 mm (2-1/2 po) de diamètre :

- Retirer le bloc-piles.
- Tourner le sac à poussière vers la gauche pour le déverrouiller afin de retirer de la ponceuse.
- Attacher l'adaptateur du boyau de 63,50 mm (2-1/2 po) en glissant l'extrémité étroite de l'adaptateur par-dessus l'orifice d'échappement de la ponceuse.
- Brancher le tuyau de l'aspirateur sur l'évacuation de la ponceuse.

NOTE: le boyau d'aspirateur se place à l'intérieur de l'adaptateur.

AVERTISSEMENT :

Lorsque la ponceuse n'est pas raccordée à un aspirateur, elle doit toujours être munie du sac à poussière. Si cette précaution n'est pas prise, de la sciure ou d'autres objets peuvent être projetés dans les yeux et causer des lésions graves.

Pour réinstaller le sac à poussière :

- Retirer le bloc-piles et le boyau d'aspirateur.
- Aligner les rainures du sac à poussière avec les encoches de l'orifice d'échappement de poussière.
- Insérer le sac à poussière sur l'orifice d'échappement de poussière.

UTILISATION DE LA PONCEUSE

Voir la figure 7, page 11.

Utilisation de la ponceuse :

- Assujettir la pièce à poncer pour l'immobiliser sous la ponceuse.

AVERTISSEMENT :

Une pièce non assujettie risque d'être projetée vers l'opérateur et de le blesser.

AVERTISSEMENT :

Garder la tête loin de la ponceuse et de l'endroit poncé. Les cheveux pourraient se prendre dans l'outil, risquant d'entraîner des blessures graves.

- Placer la ponceuse la pièce, en veillant à ce que toute la surface du coussinet abrasif soit en contact avec la surface à poncer.

AVIS :

Veiller à ne pas laisser la main couvrir les ouïes d'aération.

-
- Mettre la ponceuse en marche et la déplacer lentement sur la pièce.
 - Effectuer des passes successives en ligne parallèles, cercles ou mouvements croisés.
 - Arrêter la ponceuse et attendre l'arrêt complet du coussinet abrasif avant de la retirer de la pièce.

UTILISATION

Ne pas forcer l'outil. Le poids de la ponceuse procure une pression adéquate. Il convient donc de laisser le papier de verre et l'outil effectuer le travail. Une pression supplémentaire ne fait que ralentir le moteur, user rapidement le coussinet abrasif et réduire considérablement la vitesse du ponçage. Une pression excessive surcharge le moteur, qui risque d'être endommagé par une surchauffe et nuit à la qualité des résultats. Toute peinture ou résine se trouvant sur le bois peut fondre sous la chaleur créée par la friction. Ne pas tenir la ponceuse trop longtemps au même endroit car elle agit rapidement et pourrait enlever trop de matériau, laissant une surface inégale.

Un ponçage prolongé peut causer une surchauffe du moteur. Dans ce cas, arrêter la ponceuse et attendre l'arrêt complet du coussinet abrasif avant de la retirer de la pièce. Retirer la main de l'ouïe d'aération, puis mettre la ponceuse en marche et la laisser fonctionner à vide pour refroidir le moteur.




BOUTON À BASCULE DE LA VITESSE VARIABLE

Voir la figure 8 à la page 11.

Le bouton à bascule de la vitesse variable offre trois réglages de vitesse de ponçage, à savoir vitesse élevée, vitesse moyenne et vitesse basse. La ponceuse démarre toujours à vitesse ÉLEVÉE lorsqu'elle est mise en marche. Appuyer sur le bouton à bascule réduit la vitesse à MOYENNE, puis à BASSE. Appuyer de nouveau sur le bouton ramène la vitesse à ÉLEVÉE.

NOTE : La vitesse peut être modifiée uniquement dans cet ordre.

Les voyants DEL indiquent la vitesse sélectionnée.

FONCTIONS DEL	VITESSE
	Élevée
	Moyenne
	Basse

VIDAGE DU SAC À POUSSIÈRE

Voir la figure 5, page 11.

Pour un fonctionnement plus efficace, vider le sac à poussière avant qu'il soit à moitié plein. Ceci permettra à l'air de mieux passer au travers du sac. Toujours vider et nettoyer soigneusement le sac après avoir terminé un travail de ponçage et avant de remiser la ponceuse.

AVERTISSEMENT :

La poussière produite lors du ponçage de revêtements de surface tels que le polyuréthane, l'huile de lin, etc., peut s'enflammer spontanément à l'intérieur ou à l'extérieur du sac et causer un incendie. Pour réduire le risque d'incendie, vider fréquemment le sac pendant le ponçage (toutes les 10 à 15 minutes) et ne jamais laisser ou remiser la ponceuse sans avoir complètement vidé le sac. En outre, suivre les recommandations du fabricant du revêtement.

Pour vider le sac à poussière:

- Retirer le bloc-piles.
- Retirer le sac à poussière de la ponceuse.
- Secouer le sac pour le débarrasser de la poussière.
- Remettre le sac en place sur la ponceuse.

ENTRETIEN

AVERTISSEMENT :

Utiliser exclusivement des pièces d'origine pour les réparations. L'usage de toute autre pièce pourrait créer une situation dangereuse ou endommager l'produit.

ENTRETIEN GÉNÉRAL

Éviter d'utiliser des solvants pour le nettoyage des pièces en plastique. La plupart des matières plastiques peuvent être endommagées par divers types de solvants du commerce. Utiliser un chiffon propre pour éliminer la saleté, la poussière, l'huile, la graisse, etc.

NOTE : ILLUSTRATIONS COMMENÇANT SUR LA PAGE 10.

Ce produit est accompagné d'une politique de satisfaction de 90 jours et d'une garantie limitée de trois (3) ans. Pour obtenir les détails de la garantie et de la politique, visiter le site www.ridgid.com ou appeler (sans frais) au 1-866-539-1710.

ADVERTENCIAS DE SEGURIDAD PARA HERRAMIENTAS ELÉCTRICAS



ADVERTENCIA

Lea todas las advertencias, instrucciones, ilustraciones y especificaciones proporcionadas con esta herramienta eléctrica. No seguir las instrucciones indicadas a continuación puede provocar descargas eléctricas, incendios o lesiones graves.

Guarde todas las advertencias e instrucciones para consultarlas en el futuro. El término “herramienta eléctrica” en las advertencias se refiere a las herramientas eléctricas que funcionan con corriente (con cordón) o las que funcionan con batería (inalámbricas).

ÁREA DE TRABAJO

- **Mantenga limpia y bien iluminada el área de trabajo.** Un área de trabajo mal despejada o mal iluminada propicia accidentes.
- **No utilice herramientas motorizadas en atmósferas explosivas, como las existentes alrededor de líquidos, gases y polvos inflamables.** Las herramientas eléctricas generan chispas que pueden encender el polvo y los vapores inflamables.
- **Mantenga alejados a los niños y circunstantes al maniobrar una herramienta eléctrica.** Toda distracción puede causar la pérdida del control de la herramienta.

SEGURIDAD ELÉCTRICA

- **Las clavijas de las herramientas eléctricas deben corresponder a las tomas de corriente donde se conectan. Nunca modifique la clavija de ninguna forma. No utilice ninguna clavija adaptadora con herramientas eléctricas dotadas de contacto a tierra.** Conectando las clavijas originales en las tomas de corriente donde corresponden se disminuye el riesgo de una descarga eléctrica.
- **Evite el contacto del cuerpo con las superficies de objetos conectados a tierra, como las tuberías, radiadores, estufas y refrigeradores.** Existe un mayor riesgo de descargas eléctricas si el cuerpo está haciendo tierra.
- **No exponga las herramientas eléctricas a la lluvia ni a condiciones de humedad.** La introducción de agua en una herramienta eléctrica aumenta el riesgo de descargas eléctricas.
- **No maltrate el cordón eléctrico. Nunca utilice el cordón para trasladar, desconectar o tirar de la herramienta eléctrica. Mantenga el cordón lejos del calor, aceite, bordes afilados y piezas móviles.** Los cordones eléctricos dañados o enredados aumentan el riesgo de descargas eléctricas.
- **Al utilizar una herramienta eléctrica a la intemperie, use un cordón de extensión apropiado para el exterior.** Usando un cordón adecuado para el exterior se disminuye el riesgo de descargas eléctricas.
- **Si debe operar una herramienta en lugares húmedos, use un suministro protegido por un interruptor de circuito con pérdida a tierra (GFCI).** El uso de un GFCI reduce el riesgo de descargas eléctricas.
- **Usar este producto únicamente con la baterías y el cargador indicados en el folleto de la herramienta/aparato/paquete de baterías/cargador complementario 988000-302.**

SEGURIDAD PERSONAL

- **Permanezca alerta, preste atención a lo que esté haciendo y aplique el sentido común al utilizar herramientas eléctricas. No utilice la herramienta eléctrica si está cansado o se encuentra bajo los efectos de alguna droga, alcohol o medicamento.** Un momento de inatención al utilizar una herramienta eléctrica puede causar lesiones corporales serias.
- **Utilice protección del equipo otros. Siempre póngase protección ocular.** El uso de equipo protector como mascarilla para el polvo, calzado de seguridad, casco y protección para

los oídos en las circunstancias donde corresponda disminuye el riesgo de lesiones.

- **Evite que la herramienta se active accidentalmente. Asegúrese de que el interruptor esté en la posición de apagado antes de conectar la herramienta a un suministro de corriente o de colocar un paquete de baterías.** Transportar herramientas eléctricas con el dedo en el interruptor o enchufar herramientas eléctricas que tienen el interruptor encendido puede ocasionar accidentes.
- **Retire toda llave o herramienta de ajuste antes de encender la herramienta eléctrica.** Toda llave o herramienta de ajuste dejada en una pieza giratoria de la herramienta eléctrica puede causar lesiones.
- **No estire el cuerpo para alcanzar mayor distancia. Mantenga una postura firme y buen equilibrio en todo momento.** De esta manera se logra un mejor control de la herramienta eléctrica en situaciones inesperadas.
- **Vístase adecuadamente. No vista ropas holgadas ni joyas. Mantenga el cabello, la ropa y los guantes alejados de las piezas móviles.** Las ropas holgadas y las joyas, así como el cabello largo, pueden engancharse en las piezas móviles.
- **Si se suministran dispositivos para conectar mangueras de extracción y captación de polvo, asegúrese de que éstas estén bien conectadas y se usen correctamente.** El uso de la captación de polvo puede reducir los peligros relacionados con éste.
- **No permita que la familiaridad obtenida por el uso frecuente de las herramientas lo vuelva complaciente e ignore los principios de seguridad de las herramientas.** Una acción descuidada puede causar lesiones graves en una fracción de segundo.
- **No vista ropas holgadas ni joyas. Recójase el cabello si está largo.** Las ropas holgadas y las joyas, así como el cabello largo, pueden resultar atraídas hacia el interior de las aberturas de ventilación.
- **No utilice la unidad al estar en una escalera o en un soporte inestable.** Una postura estable sobre una superficie sólida permite un mejor control de la herramienta eléctrica en situaciones inesperadas.

EMPLEO Y CUIDADO DE LA HERRAMIENTA ELÉCTRICA

- **No fuerce la herramienta eléctrica. Utilice la herramienta eléctrica adecuada para cada trabajo.** La herramienta eléctrica adecuada efectúa mejor y de manera más segura el trabajo, si además se maneja a la velocidad para la que está diseñada.
- **No utilice la herramienta si el interruptor no enciende o no apaga.** Cualquier herramienta eléctrica que no pueda controlarse con el interruptor es peligrosa y debe repararse.
- **Desconecte el enchufe de la fuente de alimentación o retire el paquete de baterías, si es desmontable, de la herramienta eléctrica antes de realizar ajustes, cambiar accesorios o almacenar herramientas eléctricas.** Tales medidas preventivas de seguridad reducen el riesgo de poner en marcha accidentalmente la herramienta.
- **Guarde las herramientas eléctricas desocupadas fuera del alcance de los niños y no permita que las utilicen personas no familiarizadas con las mismas o con estas instrucciones.** Las herramientas eléctricas son peligrosas en manos de personas no capacitadas en el uso de las mismas.
- **Mantenimiento de las herramientas eléctricas y accesorios. Revise para ver si hay desalineación o atoramiento de piezas móviles, ruptura de piezas o toda otra condición que pueda afectar el funcionamiento de la herramienta eléctrica. Si está dañada la herramienta eléctrica, permita que la reparen**

ADVERTENCIAS DE SEGURIDAD PARA HERRAMIENTAS ELÉCTRICAS

antes de usarla. Numerosos accidentes son causados por herramientas eléctricas mal cuidadas.

- **Mantenga las herramientas de corte afiladas y limpias.** Las herramientas de corte bien cuidadas y con bordes bien afilados, tienen menos probabilidad de atascarse en la pieza de trabajo y son más fáciles de controlar.
- **Use la herramienta eléctrica, los accesorios, las brocas, etc. según estas instrucciones, teniendo en cuenta las condiciones de trabajo y la tarea que se va a realizar.** Si se utiliza la herramienta eléctrica para operaciones diferentes de las indicadas podría originar una situación peligrosa.
- **Mantenga los mangos y superficies de agarre limpias y libres de aceite y grasa.** Los mangos y superficies de agarre resbalosas no permiten la manipulación y control seguro de la herramienta en situaciones inesperadas.

EMPLEO Y CUIDADO DE LA HERRAMIENTA DE BATERÍAS

- **Sólo cargue el paquete de baterías con el cargador especificado por el fabricante.** Un cargador adecuado para un tipo paquete de baterías puede significar un riesgo de incendio si se emplea con un paquete de baterías diferente.
- **Utilice las herramientas eléctricas sólo con los paquetes de baterías específicamente indicados.** El empleo de paquetes de baterías diferentes puede presentar un riesgo de incendio.
- **Cuando no esté utilizándose el paquete de baterías, manténgalo lejos de otros objetos metálicos, como clips, monedas, llaves, clavos, tornillos o otros objetos metálicos, pequeños que puedan establecer conexión entre ambas**

terminales. Establecer una conexión directa entre las dos terminales de las baterías puede causar quemaduras o incendios.

- **Si se maltratan las baterías, puede derramarse líquido de las mismas; evite todo contacto con éste. En caso de contacto, lávese con agua. Si el líquido llega a tocar los ojos, además busque atención médica.** El líquido de las baterías puede causar irritación y quemaduras.
- **No utilice un paquete de baterías o una herramienta que esté dañado o modificado.** Las baterías dañadas o modificadas pueden tener un funcionamiento impredecible que provoque incendios, explosiones o riesgo de lesiones.
- **No exponga el paquete de baterías o una herramienta al fuego o a temperaturas excesivas.** La exposición al fuego o a temperatura sobre los 130 °C (265 °F) puede provocar explosiones.
- **Siga todas las instrucciones de carga y no cargue el paquete de baterías ni la herramienta fuera del rango de temperaturas especificado en las instrucciones.** Si realiza la carga en forma incorrecta o fuera de las temperaturas del rango especificado puede dañar la batería y aumentar el riesgo de incendios.

SERVICIO

- **Permita que un técnico de reparación calificado preste servicio a la herramienta eléctrica, y sólo con piezas de repuesto idénticas.** De esta manera se mantiene la seguridad de la herramienta eléctrica.
- **Nunca repare paquetes de baterías dañados.** La reparación de paquetes de baterías solo puede ser realizada por el fabricante o proveedores de servicio autorizados.




ADVERTENCIAS DE SEGURIDAD DEL LIJADORA

- **Sujete las herramientas eléctricas por las superficies aisladas de sujeción al efectuar una operación en la cual la herramienta de corte pueda entrar en contacto con cables ocultos o con su propio cordón eléctrico.** Todo contacto de una herramienta con un cable cargado carga las piezas metálicas expuestas de la herramienta y da una descarga eléctrica al operador.
- **Familiarícese con su herramienta eléctrica. Lea cuidadosamente el manual del operador. Aprenda sus usos y limitaciones, así como los posibles peligros específicos de esta herramienta eléctrica.** Con el cumplimiento de esta regla se reduce el riesgo de una descarga eléctrica, incendio o lesión seria.
- **Siempre use protección ocular con laterales protectores con la marca de cumplimiento con la norma ANSI Z87.1 al ensamblar piezas, utilizar la herramienta o llevar a cabo tareas de mantenimiento.** Con el cumplimiento de esta regla se reduce el riesgo de lesiones corporales serias.
- **Protéjase los pulmones. Use una careta o mascarilla contra el polvo si la operación genera mucho polvo.** Con el cumplimiento de esta regla se reduce el riesgo de lesiones serias.
- **Protéjase los oídos. Durante períodos prolongados de utilización del producto, póngase protección para los oídos.** Con el cumplimiento de esta regla se reduce el riesgo de lesiones corporales serias.
- **No se necesita conectar a una toma de corriente las herramientas de baterías; por lo tanto, siempre están en condiciones de funcionamiento. Esté consciente de los posibles peligros cuando no esté usando la herramienta de baterías o cuando esté cambiando los accesorios de la misma.** Con el cumplimiento de esta regla se reduce el riesgo de una descarga eléctrica, incendio o lesión corporal seria.






- **No coloque herramientas de baterías ni las baterías mismas cerca del fuego o del calor.** De esta manera se reduce el riesgo de explosiones y de lesiones.
- **No aplaste, deje caer o dañe de baterías. Nunca utilice una batería o cargador que se ha caído, aplastado, recibido un golpe contundente o ha sido dañado(a) de alguna manera.** Las baterías dañadas pueden sufrir explosiones. Deseche de inmediato toda batería que haya sufrido una caída o cualquier daño.
- **Las baterías pueden explotar en presencia de fuentes de inflamación, como los pilotos de gas.** Para reducir el riesgo de lesiones serias, nunca use un producto inalámbrico en presencia de llamas expuestas. La explosión de una batería puede lanzar fragmentos y compuestos químicos. Si ha quedado expuesto a la explosión de una batería, lávese de inmediato con agua.
- **No cargue herramientas de baterías en lugares mojados o húmedos. No lo utilice, guarde o cargue la paquete de baterías o la unidad en lugares donde la temperatura sea inferior a 10 °C (50 °F) o superior a 38 °C (100 °F).** No guarde la herramienta a la intemperie ni en el interior de vehículos.
- **En condiciones extremas de uso o temperatura las baterías pueden emanar líquido. Si el líquido llega a tocarle la piel, lávese de inmediato con agua y jabón. Si le entra líquido en los ojos, láveselos con agua limpia por lo menos 10 minutos, y después busque de inmediato atención médica.** Con el cumplimiento de esta regla se reduce el riesgo de lesiones corporales serias.
- **Guarde estas instrucciones.** Consúltelas con frecuencia y empléelas para instruir a otras personas que puedan utilizar esta herramienta. Si presta a alguien esta herramienta, facilítele también las instrucciones.

SÍMBOLOS

Las siguientes palabras de señalización y sus significados tienen el objeto de explicar los niveles de riesgo relacionados con este producto.

SÍMBOLO	SEÑAL	SIGNIFICADO
	PELIGRO:	Indica una situación peligrosa, la cual, si no se evita, causará la muerte o lesiones serias.
	ADVERTENCIA:	Indica una situación peligrosa, la cual, si no se evita, podría causar la muerte o lesiones serias.
	PRECAUCIÓN:	Indica una situación peligrosa, la cual, si no se evita, podría causar lesiones menores o leves.
	AVISO:	(Sin el símbolo de alerta de seguridad) Indica la información que se considera importante, pero no relacionada con lesiones potenciales (por ej. en relación a daños a la propiedad).

Es posible que se empleen en este producto algunos de los siguientes símbolos. Le suplicamos estudiarlos y aprender su significado. Una correcta interpretación de estos símbolos le permitirá utilizar mejor y de manera más segura el producto.

SÍMBOLO	NOMBRE	DENOMINACIÓN/EXPLICACIÓN
	Alerta de seguridad	Indica un peligro posible de lesiones personales.
	Lea manual del operador	Para reducir el riesgo de lesiones, el usuario debe leer y comprender el manual del operador antes de usar este producto.
	Protección para los ojos	Siempre póngase protección ocular con la marca de cumplimiento de la norma ANSI Z87.1 junto con protección auditiva.
	Alerta de condiciones húmedas	No exponga la unidad a la lluvia ni la use en lugares húmedos.
	Símbolo de reciclado	Este producto utiliza baterías de iones de litio (Li-ion). Es posible que algunas leyes municipales, estatales o federales prohíban desechar las baterías en la basura normal. Consulte a las autoridades reguladoras de desechos para obtener información en relación con las alternativas de reciclado y desecho disponibles.
V	Volts	Voltaje
min	Minutos	Tiempo
≡	Corriente continua	Tipo o característica de corriente
n_0	Velocidad en vacío	Velocidad de rotación, en vacío
.../min	Por minuto	Revoluciones, carreras, velocidad superficial, órbitas, etc., por minuto

CARACTERÍSTICAS

ESPECIFICACIONES DEL PRODUCTO

Tamaño del papel 1/4 de hoja
Movimiento Acción orbital

Diámetro de la órbita 1,59 mm (1/16 pulg.)
Velocidad en vacío 14 000 /min. (OPM)

ARMADO

ADVERTENCIA:

No use este producto si no está totalmente ensamblado o si alguna pieza falta o está dañada. El uso de un producto que no está adecuadamente y completamente ensamblado o posee partes dañadas o faltantes puede resultar en lesiones personales graves.

ADVERTENCIA:

No intente modificar este producto ni crear accesorios que no estén recomendados para usar con este producto. Dichas alteraciones o modificaciones constituyen un uso indebido y podrían provocar una situación de riesgo que cause posibles lesiones personales graves.

Si hay piezas dañadas o faltantes, le suplicamos llamar al 1-866-539-1710, donde le brindaremos asistencia.

FUNCIONAMIENTO

ADVERTENCIA:

No permita que su familiarización con las herramientas lo vuelva descuidado. Tenga presente que un descuido de un instante es suficiente para causar una lesión grave.

ADVERTENCIA:

Siempre retire el paquete de baterías de la herramienta cuando esté ensamblando partes, realizando ajustes, limpiando o cuando ésta no esté en uso. Retirando el paquete de baterías se evita arrancar accidentalmente la unidad, lo cual puede causar lesiones serias.

ADVERTENCIA:

Siempre póngase protección ocular con protección lateral con la marca de cumplimiento de la norma ANSI Z87.1. Si no cumple esta advertencia, los objetos que salen despedidos pueden producirle lesiones serias en los ojos.

ADVERTENCIA:

No utilice ningún aditamento o accesorio no recomendado por el fabricante de esta producto. El empleo de aditamentos o accesorios no recomendados podría causar lesiones serias.

APLICACIONES

Este producto puede emplearse para los fines siguientes:

- Lijado de superficies de productos de madera o de metal
- Lijado de superficies de acero
- Eliminación de herrumbre de superficies de acero

INSTALACIÓN/QUITAR DEL PAQUETE DE BATERÍAS

Vea la figura 1, página 10.

Para instalar:

- Coloque el paquete de baterías.
- Asegúrese de que los pestillos situados a ambos lados del paquete de baterías entren a presión en su lugar y de que el paquete se coloque correctamente en el producto antes de empezar a utilizarlo.

Para quitar:

- Oprima los pestillos de cada lado del paquete de baterías.

Para obtener instrucciones específicas de carga, lea el manual del operador que se incluye con el cargador y la batería.

APAGADO Y ENCENDIDO DE LA LIJADORA

Vea la figura 2, página 10.

Para encender la lijadora:

- Coloque el paquete de baterías.
- Presione y suelte el botón **APAGADO/ENCENDIDO**.

Apague la lijadora.

- Presione y suelte el botón **APAGADO/ENCENDIDO**.

NOTA: El producto siempre está en la modo de APAGADO cuando el paquete de baterías no está instalado.

FUNCIONAMIENTO

SELECCIÓN DE PAPEL DE LIJA

La selección del papel de lija del tipo adecuado y del grano de tamaño correcto es un paso importante en el logro de un lijado con acabado de alta calidad. Los abrasivos de óxido de aluminio, de carburo de silicón y otros productos sintéticos son los mejores para el lijado con herramientas eléctricas. Los abrasivos naturales, como el polvo de pedernal y de granate, son demasiado suaves para utilizarse de manera económica en el lijado motorizado.

En general, el grano grueso elimina más material, y el grano fino produce mejor acabado en todas las operaciones de lijado. El estado de la superficie por lijar determina cuál grano es el más adecuado. Si la superficie está áspera, comience con un grano grueso y líjela hasta que quede uniforme. El grano mediano puede utilizarse para eliminar rasguños producidos por el grano grueso, y el grano fino puede utilizarse para acabar la superficie. Siempre continúe lijando con cada grano hasta que esté uniforme la superficie.

NOTA: NO utilice la lijadora sin ponerle papel de lija. Si lo hace se daña la almohadilla.

ADVERTENCIA:

Siempre retire el paquete de pilas al poner o cambiar las hojas de lija. De lo contrario la unidad puede ponerse en marcha accidentalmente, con el consiguiente posible riesgo de lesiones serias.

INSTALAR PAPEL DE LIJA ESTÁNDAR

Vea la figura 3, página 10.

- Retire el paquete de baterías.
- Inspeccione el papel de lija antes de instalarlo; no lo use si está dañado o defectuoso.
- Cuando reemplace el papel de lija, quite el papel viejo. Para quitar el papel de lija viejo, libere el sujetador de papel trasero levantando la palanca (2) y dejando que el sujetador trasero se abra. Mantenga presionado el botón (1) en la parte delantera de la lijadora para abrir el sujetador de papel delantero y quitar el papel de lija.
- Mantenga presionado el botón (1) en la parte delantera de la lijadora para abrir el sujetador de papel delantero e insertar el papel de lija en el sujetador.
- Envuelva el papel de lija en la almohadilla. Levante la palanca del lateral de la lijadora para abrir el sujetador de papel trasero (2) e inserte el extremo suelto del papel de lija debajo del sujetador de papel. Coloque el papel de lija contra la almohadilla de forma ajustada.
- Empuje la palanca hacia abajo para cerrar el sujetador de papel y bloquearlo en su lugar.

PLANTILLA PERFORADORA DE PAPEL

Vea la figura 3, página 10.

Se ha incluido una plantilla perforadora de papel de lija para facilitar la alineación y la perforación de orificios en el papel de lija. Los orificios perforados deben alinearse con los orificios de la almohadilla de la lijadora.

En la perforadora está impreso el contorno de la lijadora para ayudarlo a que ubique el papel de lija en la posición correcta antes de perforarla.

- Coloque el papel de lija en la lijadora.
- Alinee la almohadilla de la lijadora sobre la plantilla perforadora de papel.
- Empuje hacia abajo la lijadora.

COLOCACIÓN DE PAPEL DE LIJA ADHESIVO

Vea la figura 4, página 11.

Inspeccione el papel de lija antes de colocarlo en la unidad.

NO utilice papel de lija dañado o defectuoso.

- Retire el paquete de baterías.
- Si va a instalarle papel de lija nuevo, retire el usado; para ello, despréndalo de la almohadilla. Si desea retirar un papel de lija común, consulte Instalación de lija estándar.
- Retire cuidadosamente el dorso adhesivo de la hoja de papel de lija nueva de ¼.
- Coloque el papel de lija, asegurándose de que el borde frontal del mismo quede alineado con el borde frontal de la almohadilla, y después oprima el lado adhesivo del papel de lija en la almohadilla.

NOTA: El papel de lija debe estar alineado con el borde frontal de la almohadilla para aprovechar eficazmente la característica de lijado a ras de la unidad.

RETIRE EL Almohadilla DE LIJA PSA DE LA ALMOHADILLA DE RESPALDO PSA OPCIONAL ANTES DEL ALMACENAMIENTO

No guarde la lijadora con el almohadilla de lija puesto. El calor generado por el lijado hace fluir el adhesivo y éste forma una unión firme entre la almohadilla de respaldo y el almohadilla de lija.

Retirando el almohadilla de lija con prontitud después de terminarse las operaciones de lijado se evita la solidificación del adhesivo. Si se deja el almohadilla de lija en la almohadilla de respaldo durante un período de tiempo prolongado después de usarse, se solidifica el adhesivo y se dificulta el desprendimiento del almohadilla.

Puede llegar a romperse durante el desprendimiento. Cuando ocurre esta situación, se dificulta limpiar la almohadilla de respaldo para el siguiente almohadilla de lija.

NOTA: Si olvida desprender el almohadilla de lija después de una operación de lijado, lije durante unos pocos minutos para suavizar el adhesivo antes de intentar desprender el almohadilla de lija.

FUNCIONAMIENTO

CÓMO INSTALAR EL SACO CAPTA-POLVO

Veá la figura 5, página 11.

- Alinee las ranuras del saco captapolvo con las ranuras de la abertura de salida de polvo de la lijadora.
- Vuelva a instalar el saco captapolvo en el abertura de salida de polvo.
- Gire a la derecha el saco hasta no dejarlo asegurado en su lugar.

CONEXIÓN DE LA LIJADORA A UNA ASPIRADORA

Veá las figuras 5 - 6, página 11.

La lijadora puede conectarse directamente a una manguera de aspiradora de 31,75 mm (1-1/4 pulg.) o 47,63 mm (1-7/8 pulg.) de diámetro. El adaptador (incluido) permite conectar la lijadora a una manguera de aspiradora de 63,5 mm (2-1/2 pulg.) de diámetro.

Para instalar una manguera de aspiradora de 31,75 mm (1-1/4 pulg.) de diámetro:

- Retire el paquete de baterías.
- Gire el saco captapolvo en sentido antihorario hasta la posición **DESBLOQUEAR** para quitarlo de la lijadora.
- Conecte la manguera de vacío al escape del soplador.

NOTA: La manguera de la aspiradora se inserta dentro del orificio de salida de polvo.

Para instalar una manguera de aspiradora de 47,63 mm (1-7/8 pulg.) de diámetro:

- Retire el paquete de baterías.
- Gire el saco captapolvo en sentido antihorario hasta la posición **DESBLOQUEAR** para quitarlo de la lijadora.
- Conecte la manguera de vacío al escape del soplador.

NOTA: La manguera de la aspiradora se inserta sobre el orificio de salida de polvo.

Para instalar una manguera de aspiradora de 63,5 mm (2-1/2 pulg.) de diámetro:

- Retire el paquete de baterías.
- Gire el saco captapolvo en sentido antihorario hasta la posición **DESBLOQUEAR** para quitarlo de la lijadora.
- Conecte el adaptador de manguera de 63,5 mm (2-1/2 pulg.) deslizando el extremo angosto del adaptador sobre el orificio de salida de polvo de la lijadora.
- Conecte la manguera de vacío al escape del soplador.

NOTA: La manguera de la aspiradora se coloca dentro del adaptador.



ADVERTENCIA:

Cuando la lijadora no esté conectada a una aspiradora, siempre vuelva a instalar el conjunto del saco captapolvo en la lijadora. La inobservancia de esta advertencia puede causar el lanzamiento de polvo, virutas o partículas sueltas a los ojos, con las consiguientes posibles lesiones serias.

Para volver a instalar el saco captapolvo:

- Retire el paquete de baterías.
- Alinee las ranuras del saco captapolvo con las ranuras de la abertura de salida de polvo de la lijadora.
- Vuelva a instalar el saco captapolvo en el abertura de salida de polvo.
- Gire a la derecha el saco hasta no dejarlo asegurado en su lugar.

UTILIZACIÓN DE LA LIJADORA

Veá la figura 7, página 11.

Para utilizar la lijadora:

- Asegure la pieza de trabajo para evitar que se mueva bajo la lijadora.



ADVERTENCIA:

Si no se asegura la pieza de trabajo puede salir lanzada hacia el operador y causarle lesiones.



ADVERTENCIA:

Mantenga la cabeza alejada de la lijadora y del área de lijado. El cabello puede resultar atraído hacia la lijadora, causando lesiones serias.

- Coloque la lijadora en la pieza de trabajo de manera que toda la superficie del almohadilla de lija quede en contacto con la pieza de trabajo.

AVISO:

Tenga cuidado de no cubrir con la mano las aberturas de aire.

- Encienda la lijadora y muévala lentamente por la pieza de trabajo.
- Realice pasadas sucesivas en líneas paralelas, o con movimientos entrecruzados.
- Apague la lijadora y espere a que el almohadilla de lija se detenga completamente antes de retirarlo de la pieza de trabajo.

FUNCIONAMIENTO

No fuerce la herramienta. El peso de la unidad proporciona una presión suficiente, por lo tanto deje el trabajo a la lijadora y al almohadilla de lija. Si se aplica presión adicional se aminora la marcha del motor, se gasta con mayor rapidez el almohadilla de lija y se reduce notablemente la velocidad de la lijadora. Una presión excesiva recarga el motor y puede dañarlo debido al recalentamiento del mismo, y puede incluso producirse un trabajo de calidad inferior. Todo acabado o resina presente en la madera puede suavizarse debido al calentamiento generado por la fricción. No lije demasiado tiempo en un mismo lugar, ya que la rápida acción de la lijadora puede desprender demasiado material, dejando desigual la superficie.

El lijado durante períodos prolongados de tiempo puede recalentar el motor. Si tal cosa ocurre, apague la lijadora, espere a que el almohadilla de lija se detenga completamente, y después retírelo de la pieza de trabajo. Retire la mano del área de las aberturas de aire, retire el almohadilla de lija, y después con la mano retirada del área de las aberturas de aire encienda la lijadora y déjela funcionar en vacío para permitir el enfriamiento del motor.

BOTÓN PARA ALTERNAR LA VELOCIDAD

Vea la Figura 8 de la página 11.

El botón para alternar la velocidad permite usar tres ajustes de velocidad de la lijadora: velocidad alta, velocidad media y velocidad baja. La lijadora siempre arrancará en velocidad ALTA al encenderla. Cada vez que presione el botón para alternar la velocidad, esta disminuirá a MEDIA y luego a BAJA. Al presionar el botón de nuevo, la velocidad volverá a ALTA.

NOTA: Solo puede cambiar la velocidad en esa secuencia. El indicador de luz LED muestra la velocidad seleccionada.

FUNCIONES DE LA LED	VELOCIDAD
	Alta
	Media
	Baja

VACIADO DEL SACO CAPTAPOLVO

Vea la figura 5, página 11.

Para lograr un desempeño más eficiente de la unidad, vacíe el saco captapolvo antes de que se llene a la mitad. De esta manera se permite que el aire fluya mejor a través del saco. Siempre vacíe y limpie a fondo el saco captapolvo al completar una operación de lijado y antes de guardar la lijadora.

ADVERTENCIA:

El polvo recolectado durante el lijado de capas de acabado como poliuretano, aceite de linaza, etc., puede inflamarse por sí solo en el saco captapolvo o en otra parte, y puede causar un incendio. Para reducir el riesgo de incendio siempre vacíe con frecuencia el saco captapolvo (cada 10 ó 15 minutos) mientras está lijando, y nunca guarde ni deje la lijadora sin haber vaciado completamente el saco. También siga las recomendaciones de los fabricantes de acabados.

Para vaciar el saco captapolvo:

- Retire el paquete de baterías.
- Retire de la lijadora el saco captapolvo.
- Sacuda el saco para sacar el polvo.
- Vuelva a conectar el saco captapolvo en la lijadora.

MANTENIMIENTO

ADVERTENCIA:

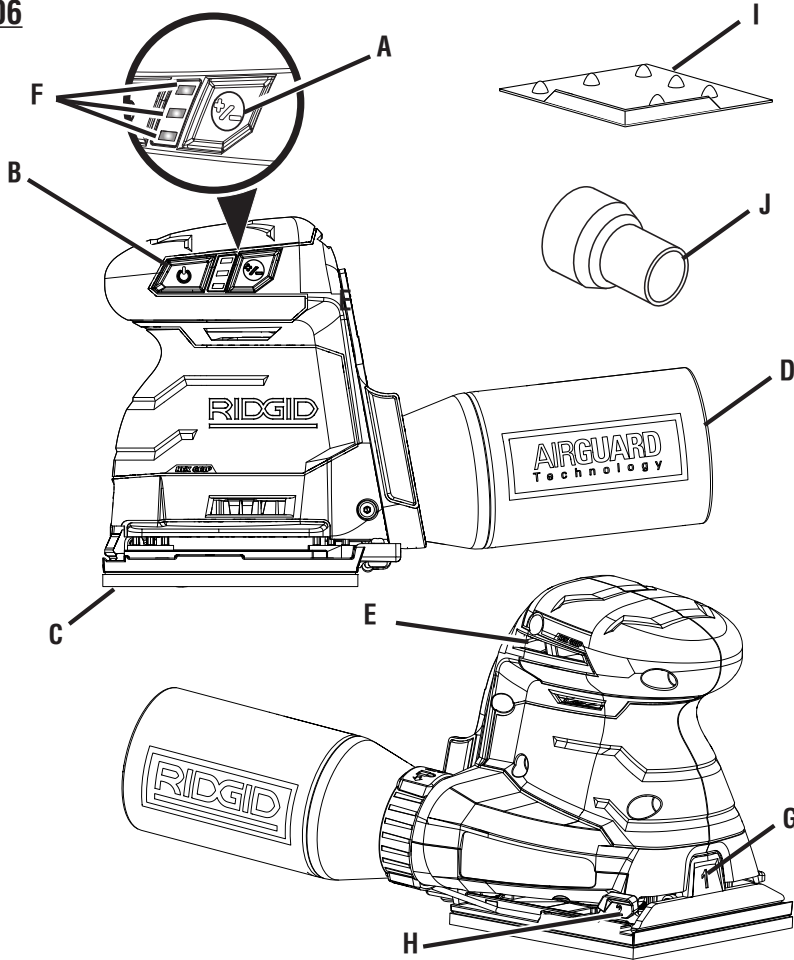
Al dar servicio a la unidad, sólo utilice piezas de repuesto idénticas. El empleo de piezas diferentes podría causar un peligro o dañar el producto.

MANTENIMIENTO GENERAL

Evite el empleo de solventes al limpiar piezas de plástico. La mayoría de los plásticos son susceptibles a diferentes tipos de solventes comerciales y pueden resultar dañados. Utilice paños limpios para eliminar la suciedad, el polvo, el aceite, la grasa, etc.

Este producto tiene una política de satisfacción garantizada de 90 días y una garantía limitada de tres años. Para obtener detalles sobre la garantía y la política de satisfacción garantizada, diríjase a www.RIDGID.com o llame sin cargo al 1-866-539-1710.

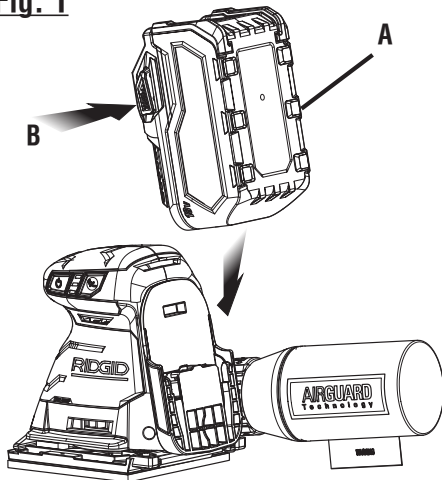
R8606



- A - Variable speed toggle button (bouton à bascule de la vitesse variable, botón para alternar la velocidad)
- B - On/off button (commutateur marche/arrêt, interruptor de encendido)
- C - Sandpaper backing pad (plateau porte-papier abrasif, almohadilla de respaldo del papel de lija)
- D - Dust bag (sac à poussière, sacco captapolvero)
- E - Air vents (air vents, air vents)

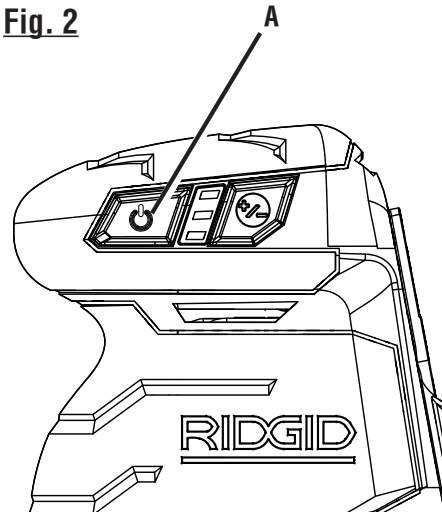
- F - LED indicator (voyant DEL, Indicador LED)
- G - Front paper clamp (1) [pince à papier avant (1), sujetador de papel delantero (1)]
- H - Rear paper clamp (2) pince à papier arrière (2), sujetador de papel trasero (2)]
- I - Paper punch (perforateur, plantilla perforadora de papel)
- J - 2-1/2 in. vacuum hose adaptor [adaptateur du boyau de 63,50 mm (2-1/2 po), adaptador de manguera de 63,5 mm (2-1/2 pulg.)]

Fig. 1



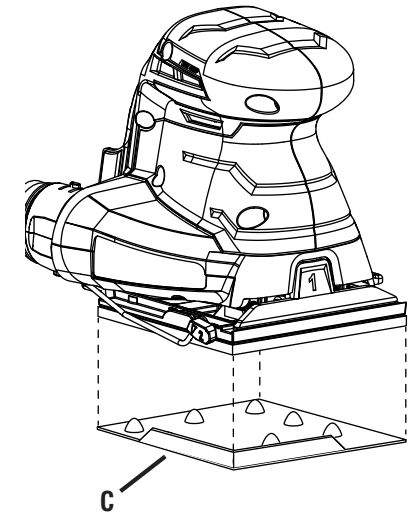
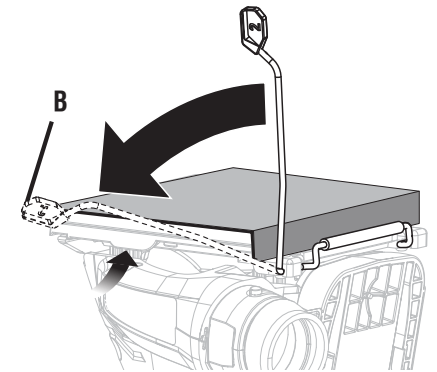
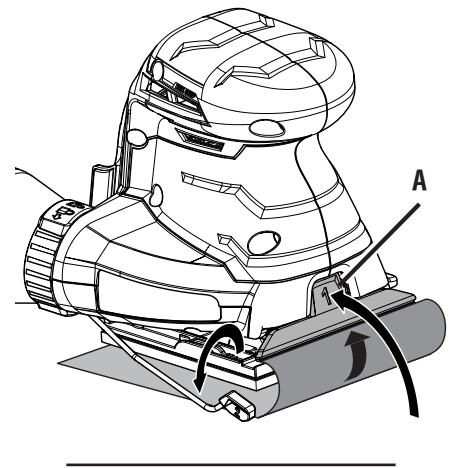
- A - Battery pack (bloc-pile, paquete de baterías)
- B - Depress latches to release battery pack (appuyer sur le loquet pour libérer le bloc-pile, para soltar el paquete de baterías oprima el pestillo)

Fig. 2



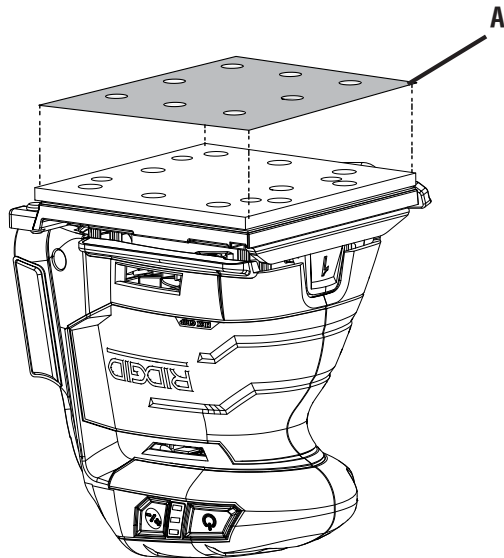
- A - To turn ON/OFF (pour mettre en marche/arrêter, para encender/apagar la unidad)

Fig. 3



- A - Front paper clamp (1) [pince à papier avant (1), sujetador de papel delantero (1)]
- B - Rear paper clamp (2) pince à papier arrière (2), sujetador de papel trasero (2)]
- C - Paper punch (perforateur, plantilla perforadora de papel)

Fig. 4



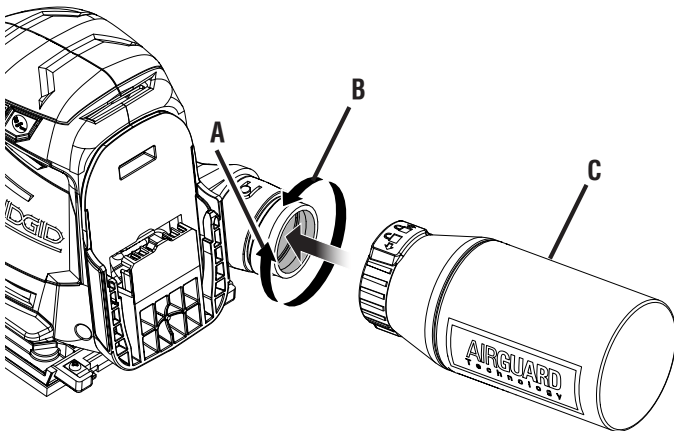
A - Pressure sensitive adhesive (PSA) sanding pad [Le autocollant (PSA) et le coussinet abrasif, la respaldo autoadhesiva (PSA) el almohadilla de lija]

Fig. 5

TURN BAG COUNTERCLOCKWISE TO UNLOCK AND REMOVE. TURN CLOCKWISE TO REINSTALL AND LOCK.

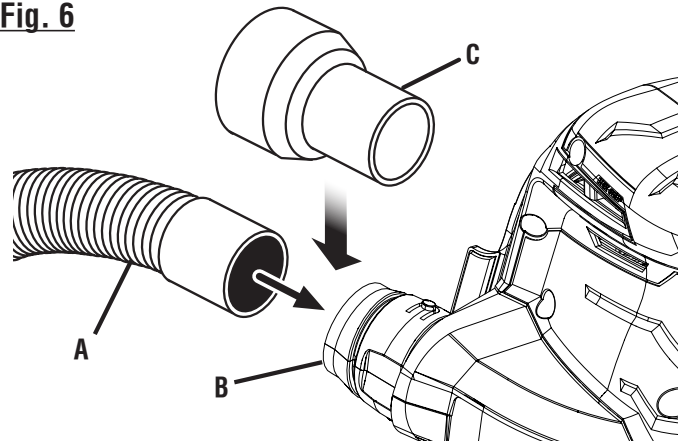
TOURNER LE SAC À POUSSIÈRE VERS LA GAUCHE POUR LE DÉVERROUILLER AFIN DE LA RETIRER. TOURNER VERS LA DROITE POUR RÉINSTALLER ET VERROUILLER.

GIRE EL SACO CAPTAPOLVO EN SENTIDO ANTIHORARIO PARA DESBLOQUEAR Y QUITAR. GIRE EN SENTIDO HORARIO PARA VOLVER A INSTALAR Y BLOQUEAR.



A - LOCK (VERROUILLEZ, SEGURO)
B - UNLOCK (DÉVERROUILLAGE, DESASEGARAR)
C - Dust bag (sac à poussière, sacco captapolvero)

Fig. 6



A - Vacuum hose (boyau d'aspirateur, manguera de aspiración)
B - Dust exhaust port (orifice d'échappement de la poussière, orificio de salida de polvo)
C - 2-1/2 in. vacuum hose adaptor [adaptateur du boyau de 63,50 mm (2-1/2 po), adaptador de manguera de 63,5 mm (2-1/2 pulg.)]

Fig. 7

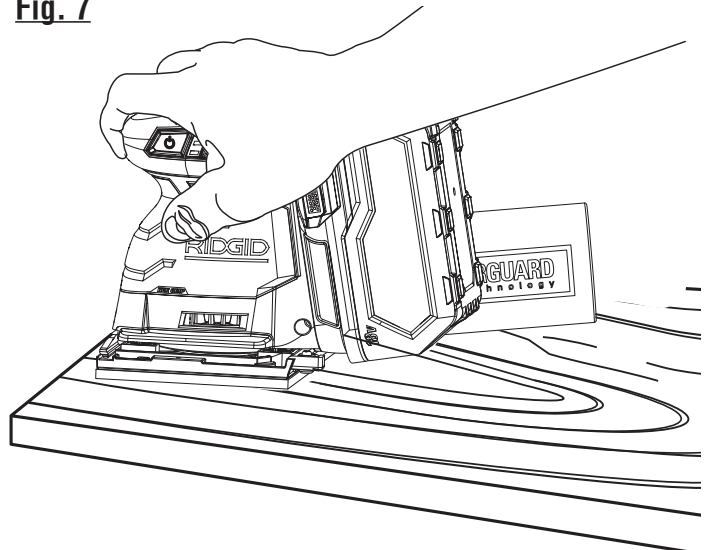
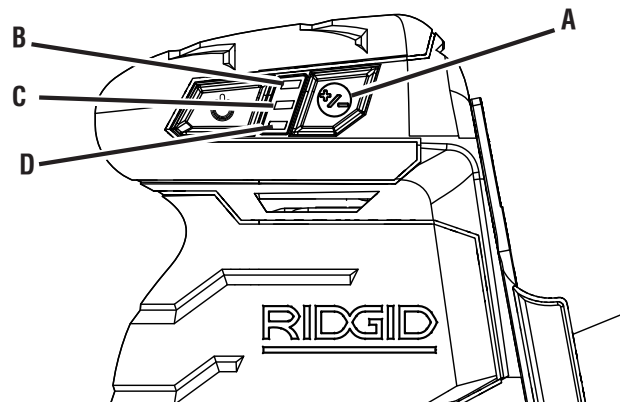


Fig. 8



A - Variable speed toggle button (bouton à bascule de la vitesse variable, botón para alternar la velocidad)
B - High speed LED indicator (voyant DEL de la vitesse élevée, indicador LED de velocidad alta)
C - Medium speed LED indicator (voyant DEL de la vitesse moyenne, indicador LED de velocidad media)
D - Low speed LED indicator (voyant DEL de la vitesse basse, indicador LED de velocidad baja)

OPERATOR'S MANUAL

MANUEL D'UTILISATION

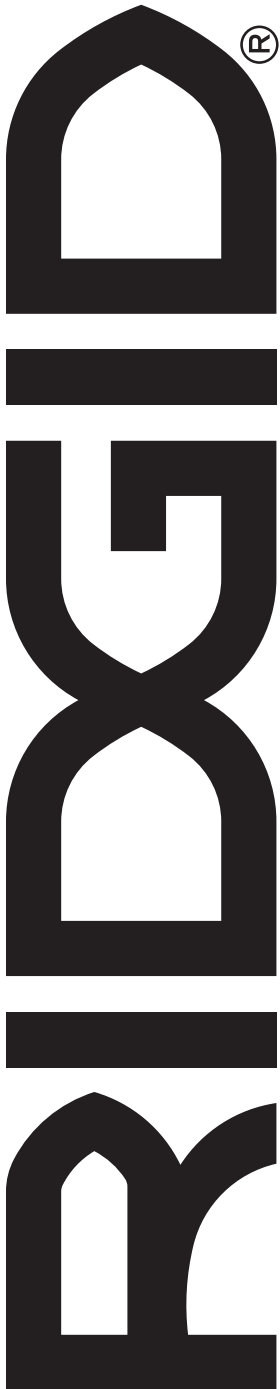
MANUAL DEL OPERADOR

18 VOLT 1/4 SHEET SANDER

PONCEUSE 1/4 DE FEUILLE DE 18 V

LIJADORA DE 1/4 DE HOJA DE 18 V

R86064



Customer Service Information:

For parts or service, do not return this product to the store. Contact your nearest RIDGID® authorized service center. Be sure to provide all relevant information when you call or visit. For the location of the authorized service center nearest you, please call 1-866-539-1710 or visit us online at www.RIDGID.com.

MODEL NO. _____ SERIAL NO. _____

Service après-vente :

Pour acheter des pièces ou pour un dépannage, ne pas retourner ce produit au magasin. Contacter le centre de réparations RIDGID® agréé le plus proche. Veiller à fournir toutes les informations pertinentes lors de tout appel téléphonique ou visite. Pour obtenir l'adresse du centre de réparations agréé le plus proche, téléphoner au 1-866-539-1710 ou visiter notre site www.RIDGID.com.

NO. DE MODÈLE _____ NO. DE SÉRIE _____

Información sobre servicio al consumidor:

Para piezas de repuesto o servicio, no devuelva este producto a la tienda. Comuníquese con el centro de servicio autorizado de productos RIDGID® de su preferencia. Asegúrese de proporcionar todos los datos pertinentes al llamar o al presentarse personalmente. Para obtener información sobre el centro de servicio autorizado más cercano a usted, le suplicamos llamar al 1-866-539-1710 o visitar nuestro sitio en la red mundial, en la dirección www.RIDGID.com.

NÚM. DE MODELO _____ NÚM. DE SERIE _____

ONE WORLD TECHNOLOGIES, INC.

P.O. Box 1427
Anderson, SC 29622 USA
1-866-539-1710 ■ www.RIDGID.com

RIDGID is a registered trademark of RIDGID, Inc., used under license.