

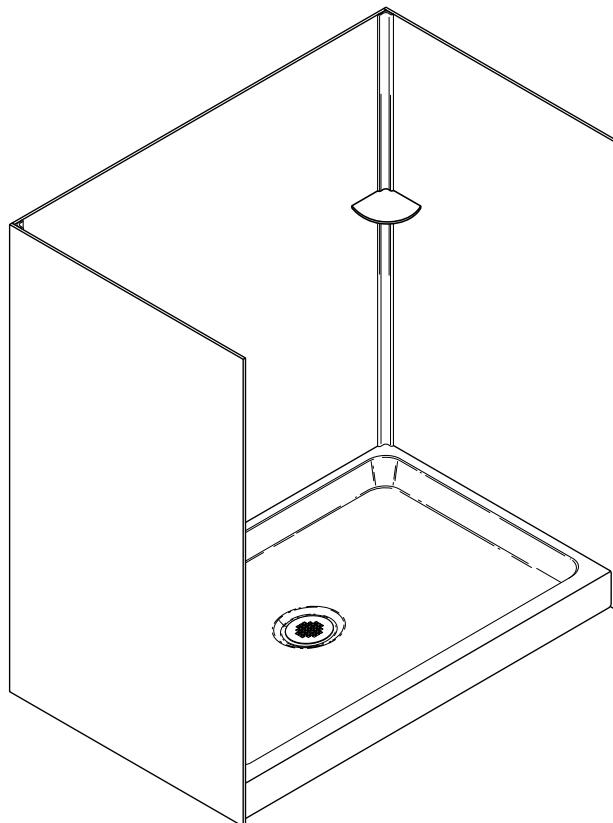


Swan

www.swanstone.com

Swanstone Shower Wall Kits and Panels

- **Product Warnings**
- **Safety Guidelines**
- **Kit Contents**
- **Required Tools**
- **Preparation Tips**
- **Installation Procedure**
- **Cleaning & Maintenance**
- **Surface Repair**
- **Warranty Information**



**Read and Understand
Before Installing**

Form # 193-12-21

The Swan Assurance — if our product is properly installed and maintained, as stated in these instructions, it will not leak.

Remember —

Safety First

IMPORTANT NOTICE

The Swan Corporation, the makers of the Swan products, cannot anticipate every possible circumstance that might involve a potential hazard during the installation of our product(s). The warnings and instructions in this installation guide are, therefore, not all-inclusive. If a tool, installation procedure, or work method that is not specifically recommended by The Swan Corporation is used, you must satisfy yourself that it is safe. You should also make sure that the Swan product(s) will not be damaged by the methods you choose. The Swan Corporation will not be held responsible for water damage of any kind in connection with the installation of one of our Swan bath/shower/panel kits.

WARNING

To avoid product damage, personal injury, or even possible death, carefully read, understand, and follow all the instructions in this installation guide before installing this product(s). Do not use cleaning fluids or operate power tools unless you read and understand the instructions and warnings in this and all other applicable labels or manuals. Proper use of tools and the products described in this guide is your responsibility.

WARRANTY

This product is covered by a Limited Lifetime Warranty. Refer to the Warranty section in this manual for complete details.

Save this manual for future reference.

Important information on cleaning, maintenance, and repair is contained within.

IMPORTANT NOTICE

IMPORTANT NOTICE: Indicates that equipment or property damage can result if instructions are not followed.



Read and Understand the Manual

It is the responsibility of any individual who installs or maintains this product to fully understand and follow proper installation and maintenance procedures. Be aware of the inherent dangers in the use of power tools when installing this product. Read and understand all Warnings, Cautions, and Important Notices in this manual.



Work Safely

DO NOT proceed if any doubt arises about the correct or safe method of performing anything found in this or other Swanstone manuals. The installation of this product can require using power tools. Do not use power tools without adequate training. If necessary, hire or consult a trained professional for expert assistance before continuing.



Use Proper Tools

Always use proper tools which are in good, working condition during the installation of the Swanstone products. Using tools other than those listed could adversely affect the integrity of floors, pipes, walls, or this product and could result in water damage or other damage to floors, pipes, walls, or other portions of your building or home.



Do Not Use Nails

The panels mount to walls with 100% clear silicone sealant only. Swan recommends 100% clear silicone sealant to mount this product. It is NOT recommended to use GE brand of 100% silicone. Never use hammers, nails, or screws. Hammers, nails, and screws could adversely affect the integrity of this product. Nails and screws could puncture the Swanstone Wall Systems and Panels, resulting in water or other damage to floors, pipes, walls, or other portions of your building or home.



Inspect Before Cutting

Make sure no electrical wiring or plumbing is present before cutting into a wall to install any accessories.



Wall Conditions

Inspect the walls before installing the Swanstone panels. Never install panels over damp walls or an existing mold condition.

CAUTION

CAUTION: Indicates a potentially hazardous situation which, if not avoided, may result in injury. It may also be used to alert against unsafe practices.



Use Proper Installation Methods

Follow all instructions related to wall surface preparation. Failure to follow such instructions could cause the panels to detach from the wall surface after installation, resulting in personal injury. Failure to follow these instructions could result in water damage.



Lifting Hazard

According to the National Institute for Occupational Safety and Health, the recommended maximum safe lifting weight is 51 pounds, with all lifting conditions perfect—minimal forward reach, steady load close to the body, straight back, load between knees and shoulders, and good grips.

To avoid personal injury, always use these proper lifting techniques and use two people to move cartons weighing more than 51 lbs. **The box containing the Swanstone kit can weigh in excess of 280 pounds.** Use the appropriate lifting devices to move the load. Always use two people when lifting heavy or bulky cartons. **DO NOT** attempt to lift objects that are too heavy.

WHEN CARRYING A HEAVY LOAD—GET HELP!



Slipping Hazard

Do not install this product in the presence of water. Installing this product without drying all surfaces, or in the presence of water, could cause you to slip and fall due to wet floors or spilled fluids. Personal injury can result from slips or falls. Before installation, dry all surfaces, including the floor, with a cloth or paper towel. Clean up all water or spilled fluids immediately.



Tripping Hazard

Personal injury can result from tripping over power cords, tools, or other items. **DO NOT** leave items laying around the work area.



Personal Protection

Be sure to use all personal protective equipment, such as sturdy work boots, preferably with steel toes, gloves, and hard hat, if necessary, to ensure your own safety. To prevent possible damage to your hearing, always wear ear protection, such as earmuffs or earplugs, when working around power tools.



Cutting Hazard

The installation of the Swanstone product may require using power tools. Keep hands away from the cutting edge of any tool used in the installation of our product.

Placing fingers in or around the cutting blades could result in serious personal injury.



Sharp Edge Hazard

After cutting the edge of a Swanstone panel, it can be sharp. Wear protective gloves to prevent personal injury.



Room Temperature

Allow the Swanstone panels to adjust to room temperature for at least six hours before installation, and consult the 100% silicone sealant manufacturer's instructions for storage and surface preparation. The panels should be installed at temperatures not less than 65°F. Panels should not be installed in areas where the temperature may drop below freezing (32°F). Failure to follow this recommendation could adversely affect the silicone sealants which holds the panels to the wall. If the panels are not correctly adhered to the walls, they may fall off, causing possible injury to someone in or around the shower enclosure.



Grab Bars

We recommend that shower compartments be equipped with support grab bars that comply with the most recent edition of ANSI-A117.1 requirements.

Grab bars must be anchored to structural support (wall studs) behind the panels. Do not rely on the panels only for grab bar support!

! WARNING

WARNING: Indicates a potentially hazardous situation which, if not avoided, could result in serious injury or death.



Eye Protection

Be sure to use all personal protective equipment to ensure your own safety. To avoid eye injury, always wear protective glasses with side shields when using power tools. Also, make sure no one else can be injured by flying particles when using power tools.



Fire Hazard

Personal injury or death can result from a fire caused by flammable liquids or silicone sealants. Cleaners or solvents can be highly explosive, resulting in personal injury or even death, when not used properly. Clean up any flammable substance immediately. Sparks or open flames can cause flammable substances to ignite. **DO NOT** smoke while working on or near any flammable substance.



Solvents Hazard

Follow all manufacturer's safety instructions for silicone sealants and denatured alcohol. Alcohol vapors are both flammable and hazardous to breathe. Silicone vapors may irritate eyes and nose. Personal injury can result from improperly handling or use of products, such as denatured alcohol. Always follow the manufacturer's recommendations for the safe use of these products. Ventilate any work area before beginning to apply silicone sealants, cleaning agents, or solvents.



Fumes Hazard

The fumes from the silicone and solvents used by the installer can be harmful if used in an unventilated room. Always work in a well-ventilated area. To keep the area well-ventilated, open windows and use exhaust fans. If adequate ventilation is not achievable or practical, use respiratory protective equipment.



Dust Hazard

When cutting or drilling the Swanstone product, use a dust collection method which prevents dust particles from going into the air. Always work in a well-ventilated area. Always use an OSHA approved dust mask when cutting, drilling, or sanding Swanstone products.



Power Tool Hazard

To prevent personal injury or possible death, always follow the electrical safety recommendations of the power tool's manufacturer. Do not use power tools in an unsafe manner. Power tools should only be connected to a circuit protected by a ground-fault circuit interrupter (GFI).



Shock Hazard

Never use electric power tools around water, condensation, or other liquids. Electric shock can cause severe burns, significant injuries, and even death. If an extension cord is required, always use an OSHA approved extension cord. Power cords should only be connected to a circuit protected by a ground-fault circuit interrupter (GFI).



Electrical Shock Hazard

Contacting live electrical wiring with power tools or hand tools can cause serious injury or death.

Make sure all related circuit breakers are turned OFF. Test for live circuits or wiring inside any wall where installation of the Swanstone product requires cutting into a wall.



Electrocution Hazard

Water and other liquids conduct electric current and can create a short circuit, resulting in injury

or death. Keep all liquids away from electrical cords and power tools. DO NOT create a short circuit between a source of electricity and a liquid by being in contact with both simultaneously.

General Information

Required Tools

- 100% clear silicone sealant
- One tube of color-coordinated silicone
- Circular saw with 60 to 80 tooth carbide blade
- Saber saw (straight up and down travel) with bi-metal blade (14 teeth per inch)
- Drill with 3/8" drill bit
- Hole saw for shower faucet/shower head
- Tape measure
- Masking tape (2" wide works best)
- Level
- Compass or dividers (scribe the panel to the wall)
- Caulking gun
- Clean paper towels or shop towels
- 2 x 4 lumber, as required for bracing (see Bracing Instructions)
- Industrial grade, hot glue gun and glue sticks (optional)
- Denatured alcohol

Kit Contents

Confirm that all parts of this kit have been included before beginning installation.

SS-6296, SSST-3696-1, SSST-6296-1, SSSQ-3696-1, SSSQ-6296-1, MSMK-7230, MSMK-7232, MSMK-7234, MSMK-7236, MSMK-7262, MSMK-8430, MSMK-8432, MSMK-8434, MSMK-8436, MSMK-8462, MSMK-9630, MSMK-9632, MSMK-9634, MSMK-9636, MSMK-9662

One flat panel

DWP-369601

One deco panel

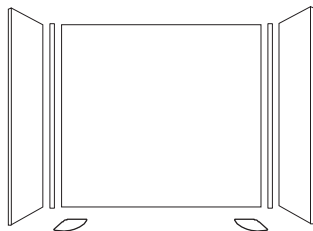
SK-363672, SK-363696

SK-364872, SK-364896

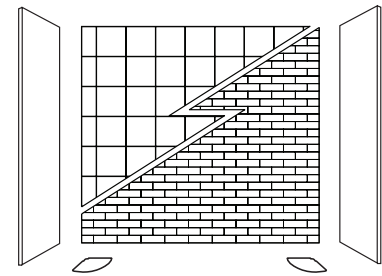
SK-484896, SK-366072

SK-366296

Three flat panels
Two corner moldings
Two soap shelves



SK-363672, SK-363696, SK-364872
SK-364896, SK-484896, SK-366072
SK-366296



Three flat panels
Two soap shelves

STMK72-3636, STMK96-3636 STMK72-3662, STMK96-3662
SQMK72-3636, SQMK96-3636 SQMK72-3662, SQMK96-3662

MSMK-723062, MSMK-723262, MSMK-723462, MSMK-723662
MSMK-843062, MSMK-843262, MSMK-843462, MSMK-843662
MSMK-963062, MSMK-963262, MSMK-963462, MSMK-963662

For best results, use 100% clear silicone sealant for bonding this product to a properly constructed and prepared sub wall. You will need one tube of 100% clear silicone sealant (tube sized to fit a standard caulking gun) for every 1440 square inches or 10 square feet, or, 4 to 10 tubes for an average shower. Follow the application recommendation located in the Panel Installation section of this manual.

It is NOT recommended to use GE brand of 100% silicone.

Unpackaging

- Use care when opening the box so that you do not damage the panels.
- This product is shipped to you or your retail center after careful inspection. After purchasing the kit, carefully unbox and inspect the product for any shipping damage that may have occurred. If damage is found, report it immediately to the store of purchase. After inspection and during installation, protect the products from construction damage by moving them to another room or area until ready to install.
- Store panels in a flat area to avoid warpage until the time of installation. Do not store the panels outside of the original packaging in a vertical position.
- Please use the model number located on the side of the box or the front of this manual when contacting us with questions concerning the installation of this unit.
- Make sure the walls are the correct size and are in good condition. Installation of damaged product will void the warranty.

Helpful Hints

- Read these instructions carefully and familiarize yourself with the various parts of the kit.
- The variety of installations possible for this kit may require procedures other than those shown. Ensure construction is correctly sized, plumb, and square.
- Save the large cardboard box for protection of the shower floor during the installation process and to use as a template for cutting the back shower wall panel.
- Allow sufficient time for the parts in this kit to adjust to room temperature. We do not recommend installation of this product at temperatures below 65 degrees.
- Sawhorses with 2 x 4 cross-members or a worktable are helpful during the installation process.
- Always transport the panels vertically. Use care when laying the panels flat to prevent flexing, especially when panels have a cutout in them.
- Store unused materials away from the work area to prevent accidental damage.
- If the shower is placed over a garage or on an outside wall, care must be taken to ensure that the shower is properly insulated from cold temperatures.

Preparation Tips

- Measure the width of the back wall (with green board) installed. This measurement cannot exceed the width of the Swanstone back panel. If the wall opening is too large, other methods or two panels will be required to cover the wall.
- Turn off the hot and cold water supply.
- Remove faucet handles, escutcheons, filler spouts, and/or anything mounted to the wall (i.e. towel bars, soap dishes, etc.).
- Always measure the location of the plumbing cutouts from the back wall forward and from the ledge of the shower base upward.
- Ensure all plumbing or electrical work inside the walls is finished prior to installation of the wall panels.
- Prepare the area with 1/2" (13 mm) moisture-resistant drywall, marine grade plywood, or concrete board. Never install our products directly on any structure that is, or may become, wet or damp.
- Trial fit the side panels before you begin. Swanstone panels have a finished side and a nonfinished backer side. The Swanstone panel has a sticker or stickers attached to the nonfinished backer side and, upon installation, should be placed against the sub-wall.
- Walls must be solid, plumb, and square within 1/8" of true. Shim or trim the opening, as required. This kit has been designed with some adjustability for minor alignment problems.
- The mounting surface must be free of dirt, film, waxes, or any other residues.
- If you are installing a recessed accessory, cut the hole after the panel is installed and fully supported by the wall. Remember to position the accessory between the wall studs.

Caulking Tips

- Follow the instructions on the color match silicone sealant tube
- When job is complete, inspect all caulked areas for gaps and fill as needed.
- Clean up any excess silicone that was missed using denatured alcohol and a clean cloth.
- Be very careful not to disturb caulk joints.

Installation Procedure

Swanstone panels can be installed over a variety of products. If you intend to apply the panels to any surface other than those described, consult with a professional contractor. Use the following sections when installing this product over:

- SHEETROCK/GREENBOARD/CEMENTBOARD/WOOD
- PLASTER
- CEMENT/CONCRETE
- OLD TILE
- WALLPAPER
- MASONITE

Sheetrock, Greenboard, Cementboard, or Wood

- Surface must be dry, smooth, and free of any dust, soap scum, or any other contaminants.
- To ensure proper adhesion of the Swanstone product, the wall surface must be sealed with a water or oil-based primer/sealer.
- After the primer/sealer is completely dry, complete the installation following the instructions in this manual.

Plaster

Depending on the condition of the existing wall surface, additional silicone may be required to ensure contact between the substrate and the wall panel.

- Sand textured or swirled finishes smooth.
- Clean the wall surface with a damp cloth to remove any dust, soap scum, or any other contaminants. The wall surface must be dry and smooth.
- To ensure proper adhesion of the Swanstone product, the wall surface must be sealed with a water or oil-based primer/sealer.
- After the primer/sealer is completely dry, complete the installation following the instructions in this manual.

Cement/Concrete

Depending on the condition (flatness) of the existing wall surface, additional silicone may be required to ensure contact between the substrate and the wall panel.

- To ensure proper adhesion of the Swanstone product, the complete area must be sealed with two coats of water or oil-based primer/sealer.
- After the primer/sealer is completely dry, complete the installation following the instructions in this manual.

Old Tile

Depending on the condition of the existing wall surface, additional silicone may be required to ensure contact between the substrate and the wall panel.

IMPORTANT NOTICE

Old ceramic tiles, if solidly adhered, do not need to be removed. All plastic tiles must be removed.

Installation Procedure

- Remove or reattach any loose ceramic tiles. Old tiles and front edge ceramic tiles should be reset for appearance only.
- Remove any tile accessories attached to the walls.
- Remove the bottom row of tile and cut a ventilation gap in the substrate.
- Surface must be dry, smooth, and free of any dust, soap scum, or any other contaminants.
- Complete the installation following the instructions in this manual.

Note: If using a trim kit, old tiles may need to be removed to allow a proper fit.

Wallpaper

- All wallpaper must be removed from the area being covered. Clean the wall surface to remove any dust, soap scum, or any other contaminants. The wall surface must be dry and smooth.
- To ensure proper adhesion of the Swanstone product, the complete wall surface must be sealed with two coats of water or oil-based primer/sealer.
- After the primer/sealer is completely dry, complete the installation following the instructions in this manual.

Masonite

- Clean the wall surface to remove any dust, soap scum, or any other contaminants. The wall surface must be dry and smooth.
- To ensure proper adhesion of the Swanstone product, the wall surface must be sealed with a water or oil-based primer/sealer.
- After the primer/sealer is completely dry, complete the installation following the instructions in this manual.

Followed carefully, these installation instructions will result in an easy, trouble-free installation of your Swanstone product. Any deviations, additions, and/or deletions from the prescribed installation, without prior written approval, will void the warranty covering this product.

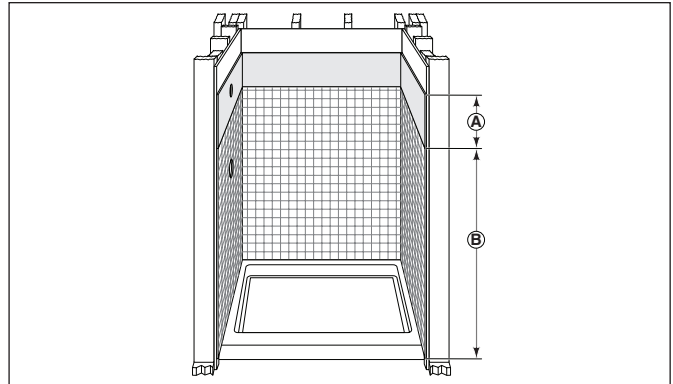
Disclaimer

- The information contained in this Installation Manual is given free of charge. It is based upon technical data which we believe to be reliable and is intended for use, by persons having knowledge of this technical area, at their own discretion and risk. Swanstone assumes no responsibility for results obtained or damage incurred from the use of this material either in whole or in part by the buyer.
- This manual will give you basic instructions for the installation of the product in a step-by-step sequence that will work in most types of installations. If you have an installation application that is not covered in this manual, please call your local Swanstone distributor or contact Swan directly for additional information about your application.
- Follow all installation instructions. Failure to follow these instructions could result in personal injuries, water damage, or other damage to floors, pipes, walls, or other portions of your building or home.

Filler Boards

Swan

If an existing wall covering (i.e. tile) does not extend to a height equal to the height of the panel, it will be necessary to install a filler board to that height. The filler board must equal the thickness of the existing wall covering (tile). Usually, 1/4" masonite or similar material is adequate. If desired, the filler board can extend from the top edge of the tile to the ceiling.



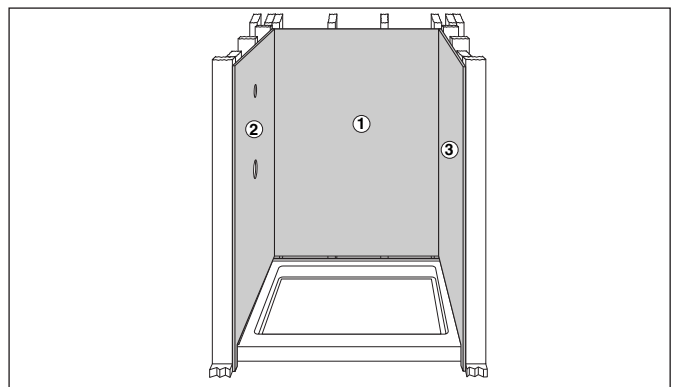
Note: Failure to use a filler board to properly install the panels could result in water damage or other damage to floors, walls, or other portions of your building or home.

Wallboard Installation

Note: If the Swanstone wall panels will be installed over an existing shower wall surface, proceed to the next section.

Install 1/2" moisture-resistant cementboard or greenboard over back (1), front (2), and rear (3) wall surfaces of the rough opening.

1. Measure and cut openings for the shower faucet(s) and shower head before installation.
2. Install the wall board with a 1/2" gap above the shower base side lip to prevent possible water (wicking affect) damage.



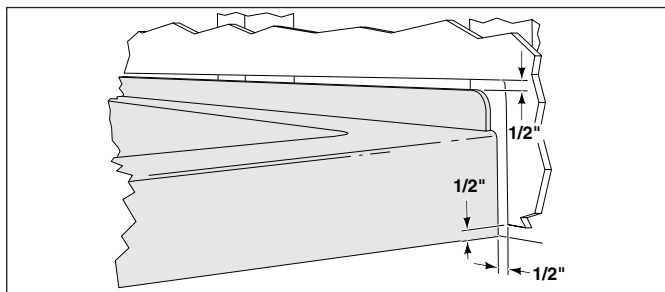
- 3a. If Swanstone apron strips will **NOT** be installed along the front edge of the shower base, the cementboard or greenboard **MUST** be cut to fit up against the front edge of the shower base.
- 3b. If Swanstone apron strips **WILL** be installed along the front edge of the shower base, the greenboard **MUST** be cut to leave a 1/2" gap between the front edge of the shower base and greenboard.

Note: For more information on installing apron strips, refer to the Apron Strips (optional) instructions in the Installation Procedure section of this manual.

IMPORTANT NOTICE

For a finished appearance, install greenboard up to the front edge of the shower base **UNLESS** optional apron strips will be cut from Swanstone material and installed next to the front edge of the shower base. In that case, leave a 1/2" gap between the shower base and the greenboard. The Swanstone apron strips will cover this gap (see illustration below).

In addition, if baseboard trim (not included) will later be installed along the floor next to the shower base, a 1/2" gap between the floor and bottom of the greenboard is recommended (see illustration below).



4. Apply a coat of water or oil-based primer/sealer to all the surfaces of the cementboard or greenboard (follow the manufacturer's instructions). Allow the primer to dry thoroughly before installing the Swanstone panels.

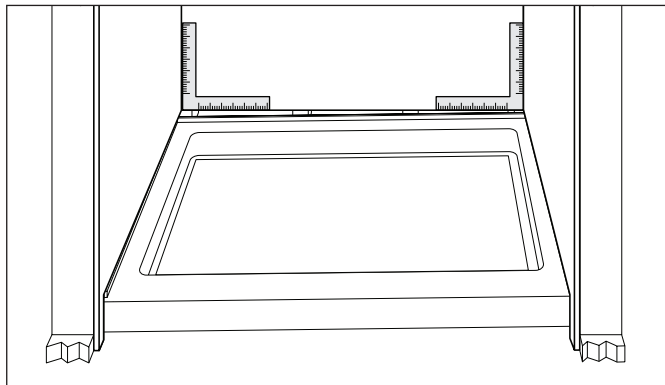
Flat, Subway Tile, or Square Tile Panel Installation

The installation process is the same for either flat or tile panels. Follow the steps in this section for installation instructions.

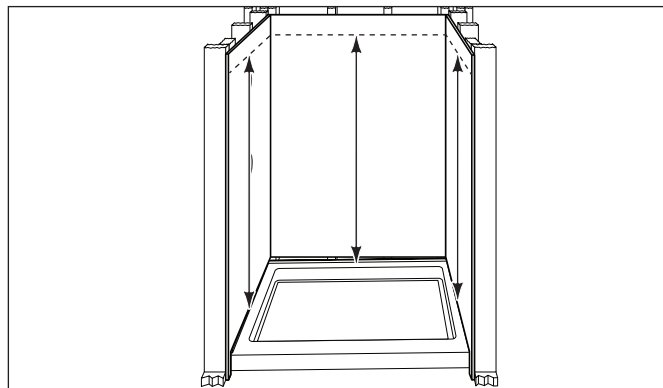
Back Panel

If the back wall measures less than the width of the panel, cut the panel to fit the opening.

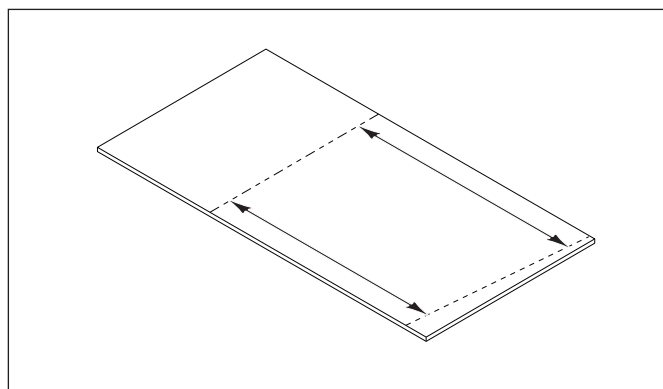
1. Using a builder's square, make sure the shower base is perpendicular to the side walls. If the walls are out of square, the bottom of all the panels may need to be cut to follow the contour of the shower base.



2. If the shower base is not perpendicular to the wall, use a level and draw a line around the alcove on all three walls. Measure the distance from the line to the top of the shower base.



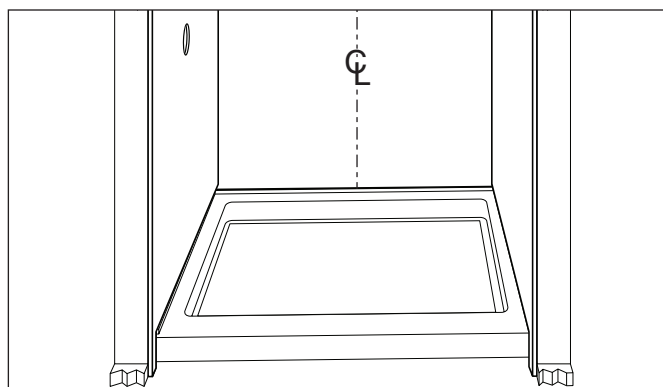
3. Transfer these measurements to both side panels and the back panel. Cut the bottoms of the panels.



Note: On subway tile and square tile panels, this process will keep the faux grout lines running level, although the bottom tiles may not be evenly sized from the shower base to the first faux grout line. Since every installation is slightly different, it is up to the installer to create a pattern match that is visually pleasing.

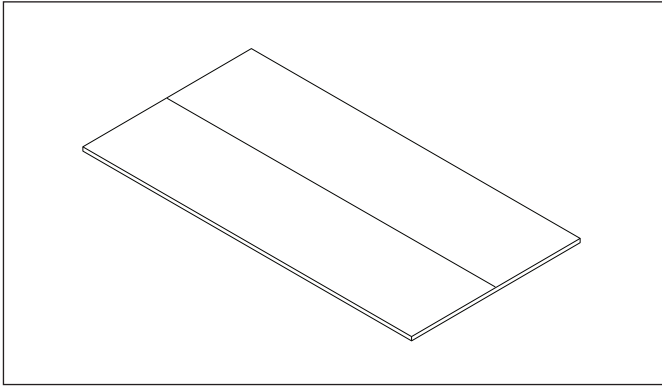
Note: When installing SQMK wall units all three panels must be installed in the same direction - either vertically or horizontally. Do not mix rotation of panels as grout lines will not align.

4. If the back panel must be cut (side-to-side) to fit the opening, find and mark the center of the back wall in the alcove opening. Use a level to draw a line from the shower base to a point above the height of the wall panel.

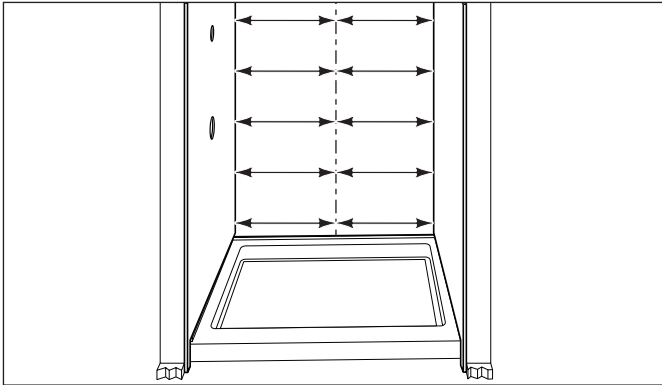


Installation Procedure

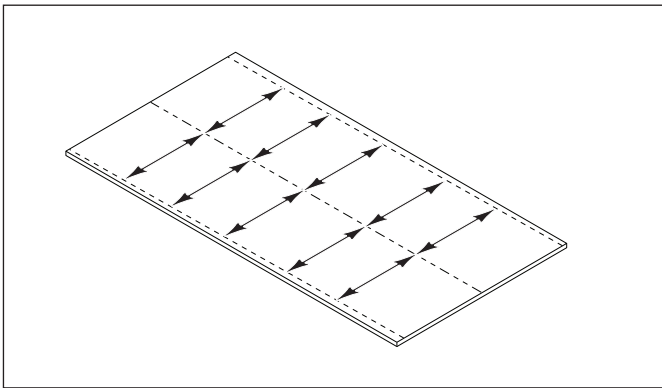
5. Place the panel, finished side facing up, on a flat surface. Using a pencil, lightly mark the center of the back panel.



6. Take several measurements, bottom-to-top, from the center line to each wall surface. These measurements will ensure the back panel fits the exact contour of the two.



7. Transfer the measurements onto the front surface of the back panel.



Note: The back panel can be cut **slightly** smaller than the opening because the side panels will cover any small gap (less than 1/4 inch).

Cutting the side panel to precisely fit the back wall is not necessary if a corner molding, supplied in some kits, is used. This corner molding will cover gaps up to 1/2".

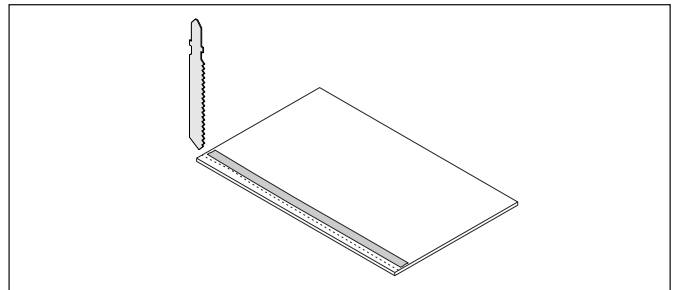
! WARNING



Dust Hazard

When cutting or drilling the Swanstone product, use a dust collection method which prevents dust particles from going into the air. Always work in a well-ventilated area. To keep the area well-ventilated, open windows and use exhaust fans. Always use an OSHA approved dust mask when cutting, drilling, or sanding Swanstone products.

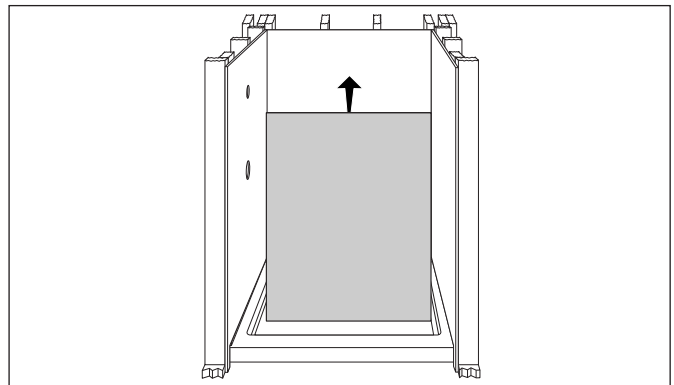
8. Place pieces of masking tape over the area where the saw contacts the finished surface of the panel.
9. Cut the panel using a circular saw with a 60-80 tooth carbide blade or a saber saw with a bi-metal blade (14 teeth per inch).



IMPORTANT NOTICE

Any cutout for accessories should have rounded corners (sharp corners can promote stress cracks).

10. Dry fit the back panel, and make any necessary adjustments. Temporarily secure the back panel to the wall in order to properly fit the front and rear panels.



IMPORTANT NOTICE

DO NOT force a panel to fit a bowed or curved wall as it may break; furthermore, the resiliency of the panel can break the silicone bond to the wall surface.

Side Panel (with shower controls)

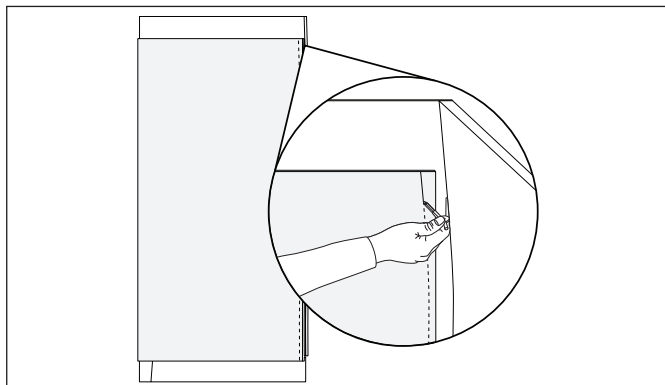
If the side panels do not require cutting to size, proceed to Step 5.

Note: On subway tile and square tile panels, the side panels are marked with labels in the top, right-hand or left-hand corner of the panel. The edge closest to the label is the outside finished edge and should not be cut.

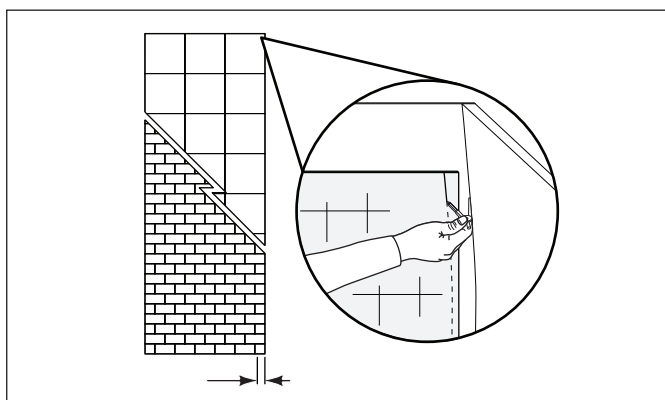
Cutting the side panel to precisely fit the back wall is not necessary if a corner molding, supplied in some kits, is used. This corner molding will cover gaps up to 1/2".

1. Place the panel on top of the shower base and slide it against the back wall panel. If the side panel has only one finished edge, make sure that the finished edge is facing out.
2. Scribe (mark) the panel, as shown. If the panel is wider than the wall, take this width into consideration when scribing the panel.

Note: Precisely scribing and cutting the panel will provide a clean 90 degree corner with no need for corner molding.

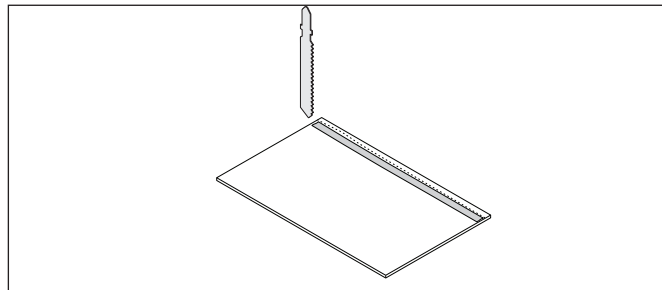


Flat Panel

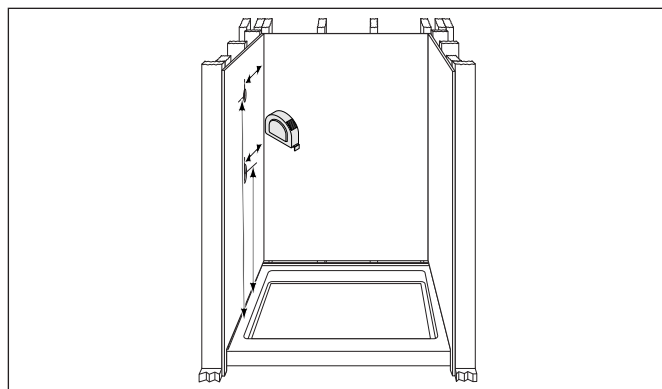


Square Tile or Subway Tile Panel

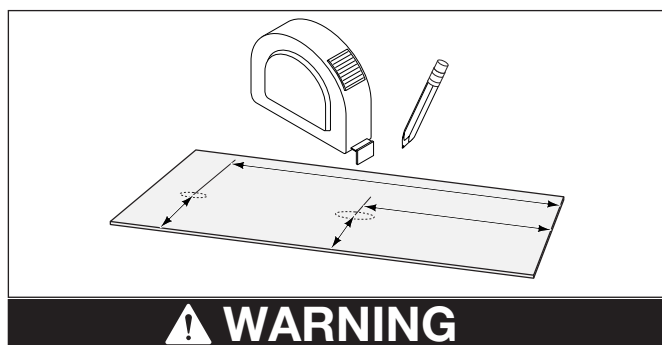
3. Place the wall panel, finished side facing up, on a flat surface. Place pieces of masking tape over the area where the saw contacts the Swanstone panel.
4. Cut the panel using a circular saw with a 60-80 tooth carbide blade or a saber saw with a bi-metal blade (14 teeth per inch).



5. Measure the openings for the shower controls and shower head.



6. Place the wall panel, finished side facing up, on a flat surface. Transfer the measurements to the panel.

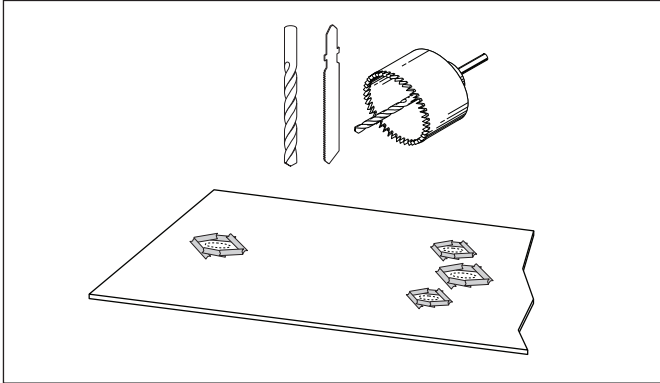


Dust Hazard

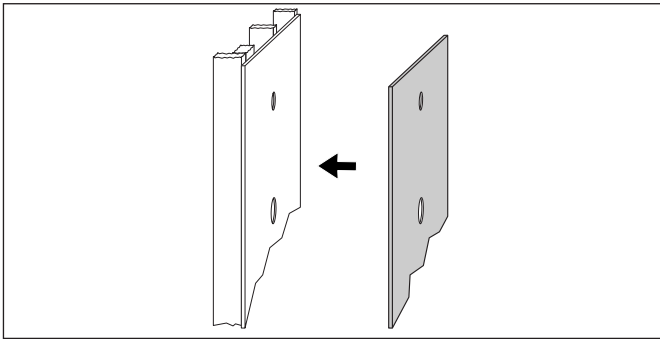
When cutting or drilling the Swanstone product, use a dust collection method which prevents dust particles from going into the air. Always work in a well-ventilated area. To keep the area well-ventilated, open windows and use exhaust fans. Always use an OSHA approved dust mask when cutting, drilling, or sanding Swanstone products.

Installation Procedure

7. Cut clearance holes using a router, saber saw, or hole saw. Drill or cut from the finished side of the panel. For best results, when drilling, place a scrap of wood beneath the hole to ensure a clean cut.



8. Dry fit the panel, and make any necessary adjustments.



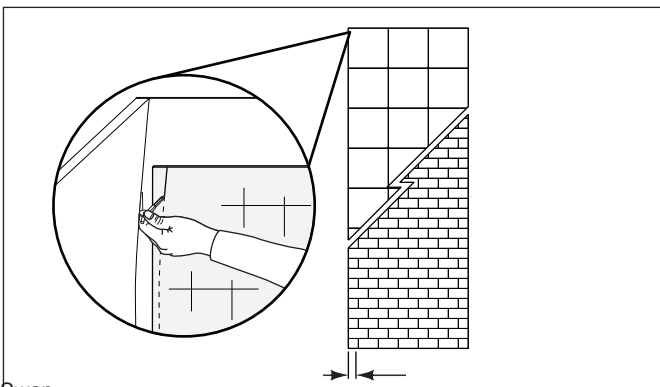
Side Panel (without shower controls)

If the panel does not require cutting to size, proceed to the next section.

Note: On subway tile and square tile panels, the side panels are marked with labels in the top, right-hand or left-hand corner of the panel. The edge closest to the label is the outside finished edge and should not be cut.

1. Place the panel on top of the shower base and slide it against the back wall panel.
2. Scribe (mark) the panel, as shown. If the panel is wider than the wall, take this width into consideration when scribing the panel.

Note: Precisely scribing and cutting the panel will provide a clean 90 degree corner with no need for corner molding.



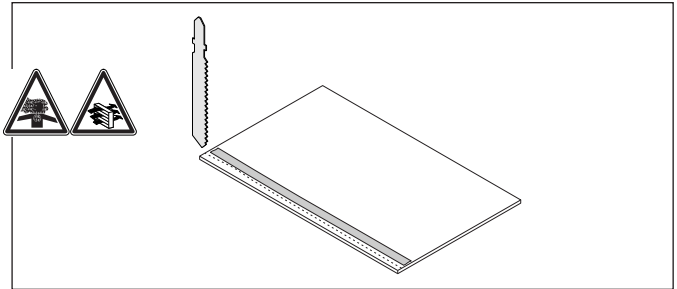
3. Place the wall panel, finished side facing up, on a flat surface. Place pieces of masking tape over the area where the saw contacts the Swanstone panel.

! WARNING

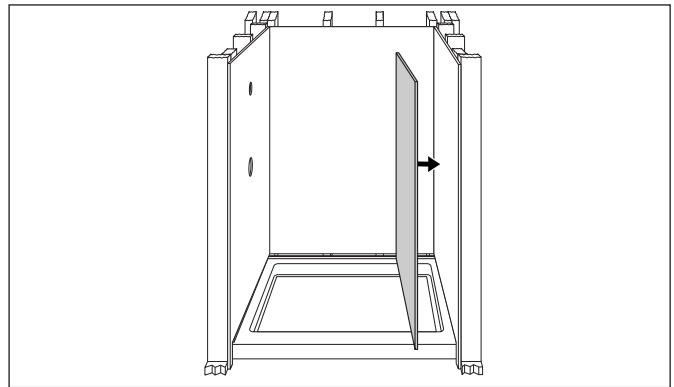
Dust Hazard

When cutting or drilling the Swanstone product, use a dust collection method which prevents dust particles from going into the air. Always work in a well-ventilated area. To keep the area well-ventilated, open windows and use exhaust fans. Always use an OSHA approved dust mask when cutting, drilling, or sanding Swanstone products.

4. Cut the panel using a circular saw with a 60-80 tooth carbide blade or a saber saw with a bi-metal blade (14 teeth per inch).



5. Dry fit the panel, and make any necessary adjustments.



Panel Installation

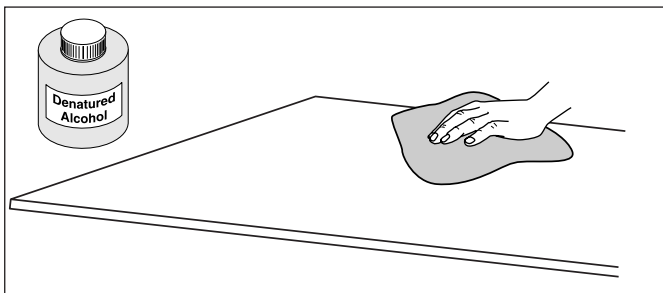
! WARNING



Fumes Hazard

The fumes from the silicone and solvents used by the installer can be harmful if used in an unventilated room. Always work in a well-ventilated area. To keep the area well-ventilated, open windows and use exhaust fans. If adequate ventilation is not achievable or practical, use respiratory protective equipment.

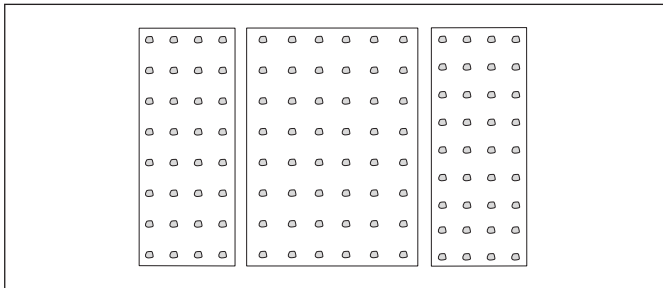
1. Clean the backs of each panel with denatured alcohol or another non oil-based cleaning solvent.



IMPORTANT NOTICE

Do not use oil-based cleaners, such as mineral spirits, to clean the panels. The oil in the cleaner will prevent the panel from adhering properly to the wall.

2. Apply the silicone in 1-1/4" diameter dots every 8 to 10 inches apart over the surface of the panel. Follow the silicone manufacturer's instructions and note all ventilation and installation precautions.



Note: When using an industrial grade hot melt glue gun in place of bracing, apply the silicone as stated in Step 2. Then apply the hot melt glue to the panel, as needed, and quickly press the panel firmly into place. Also refer to the **WARNING** on the next page for hot melt glue applications.

! WARNING



This process is not recommended for the do-it-yourself homeowner.

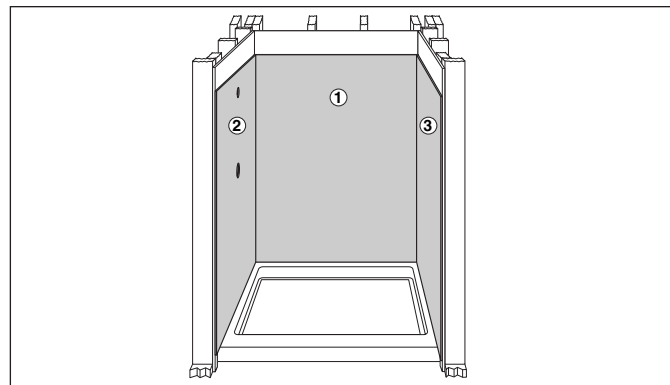
Using hot melt glue in place of bracing requires application by a qualified installer. This temporary bonding method must hold the panel to the wall during the 24 hour curing time of the 100% clear silicone sealant. The hot melt glue by itself is not sufficient to bond the panel to the wall. Therefore, improper or inadequate application of the hot melt glue may result in insufficient bonding of the panel to the wall. Due to the weight of the panel, failure to follow this recommendation may allow it to detach itself from the wall, causing possible injury to someone in or around the shower enclosure.

Improper installation methods may also result in water damage or other damage to floors, walls, or other portions of your building or home.

IMPORTANT NOTICE

Do not use a home applicator, craft-type hot melt glue gun. Using this type of glue gun will NOT hold the panels in place long enough for the silicone to bond properly to the wall.

3. Install back panel (1) first. Then, install left-hand panel (2). Finally, install right-hand panel (3).



4. Firmly press the surface of each panel against the wall. It is important to apply hand pressure to the entire surface of the panel to bond it to the wall surface.

Apron Strips (optional)

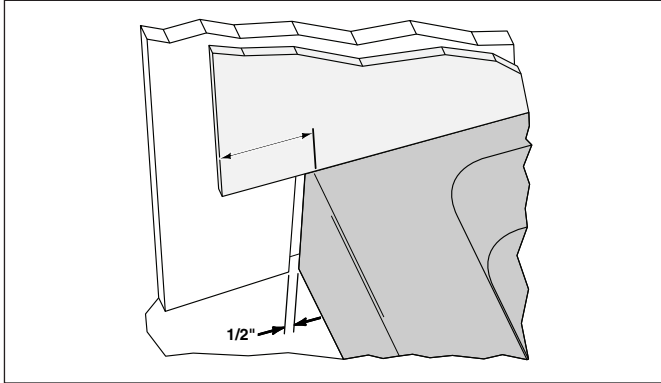
If the wall and wall panel extends beyond the shower base, adding apron strips will provide a finished look to your installation.

The two small apron strips can be cut from scraps of a panel. When cutting these apron strips, make sure the finished edge of the panel is facing outward.

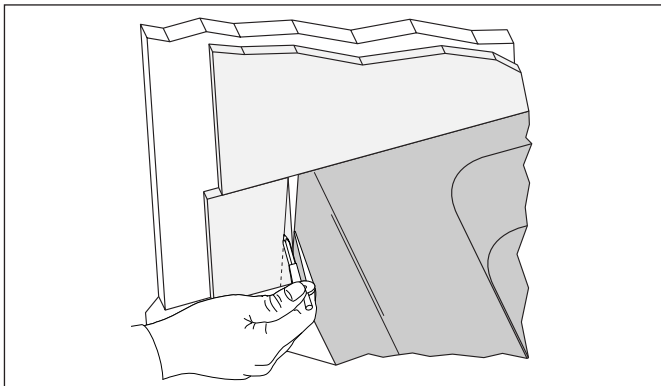
Installation Procedure

1. Measure the distance from the top of the shower base to the outside of the panel. Cut two pieces of the Swanstone material to fit in this area.

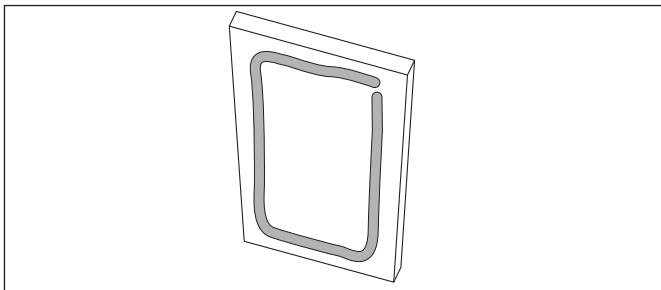
Note: This illustration shows the recommended 1/2" gap between the wallboard edge and the front of the shower floor (helps prevent water damage due to wicking effect).



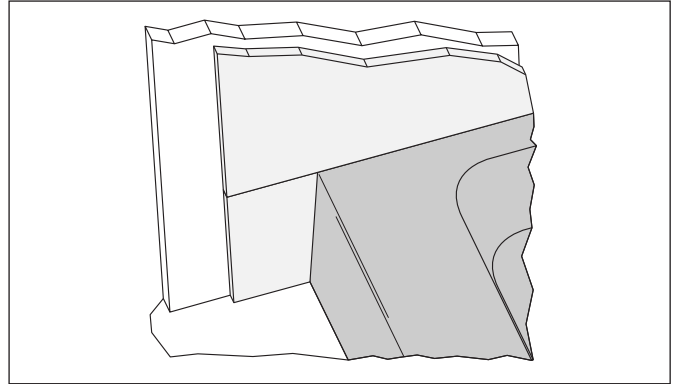
2. Hold the apron strips in place and scribe the angle of the shower base onto each piece. Remember, do not cut the finished edge.



3. Place silicone on the back side of the apron strips.



4. Attach the apron strips to the wall.



Temporary Bracing

Install temporary bracing to hold the three panels in place until the silicone is completely set (usually 24 hours). This will allow proper curing of the silicone.

IMPORTANT NOTICE

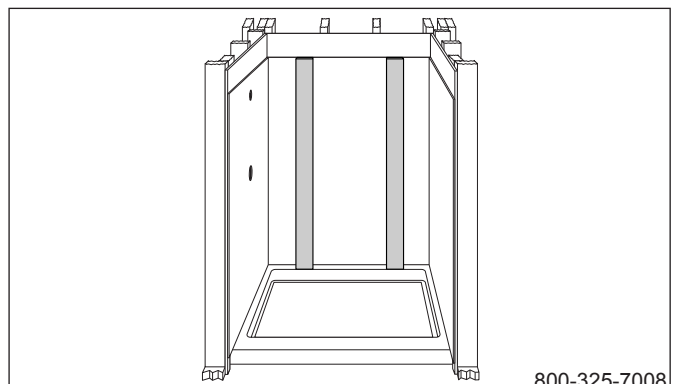
To ensure contact between the panels and walls until the silicone sets, install temporary bracing after completing installation. The bracing should be constructed from lengths of 2 x 4's. Failure to brace in the manner described could keep the panels from adhering, resulting in personal injury, as well as water damage or other damage to floors, walls, or other portions of your building or home.

IMPORTANT NOTICE

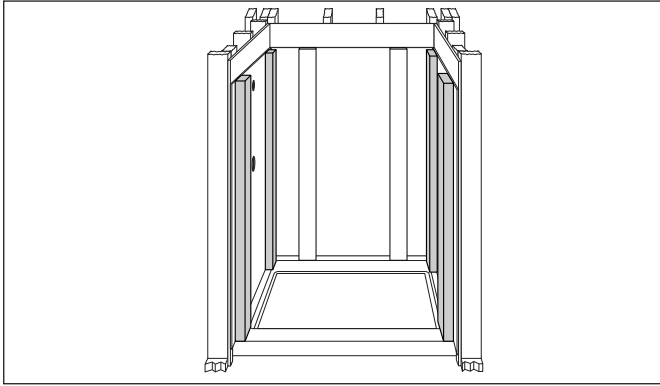
To prevent scratches or other damage, make sure there are no nails or other foreign objects in the surface of the bracing that is placed against the panel.

If the horizontal braces are fastened to the vertical braces using nails or screws, make sure the fasteners do not penetrate the surface of the panel. Also, to prevent possible damage to the walls, do not apply excessive pressure to the braces.

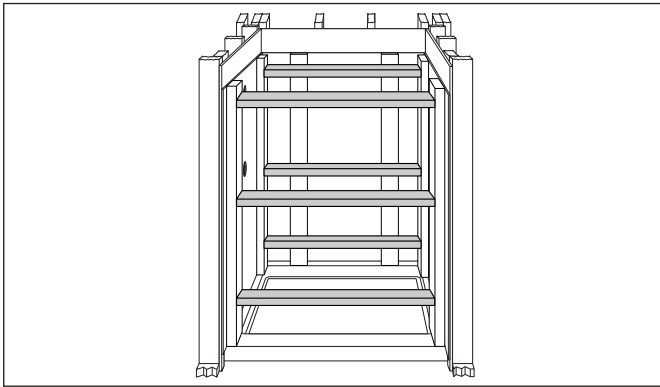
1. Place two or three braces against the back wall. Place two braces on panels that are 48" or less and three braces on panels greater than 48" wide.



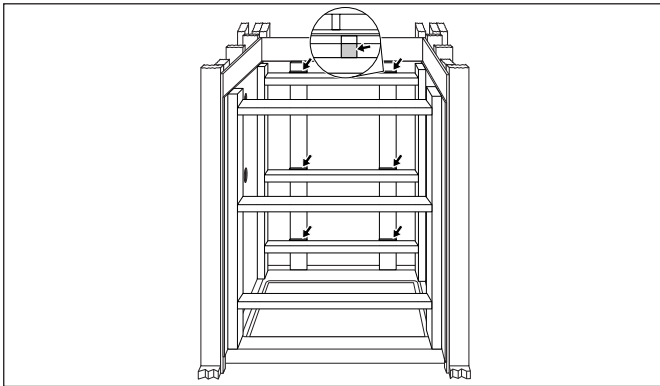
2. Place two braces against each left and right wall.



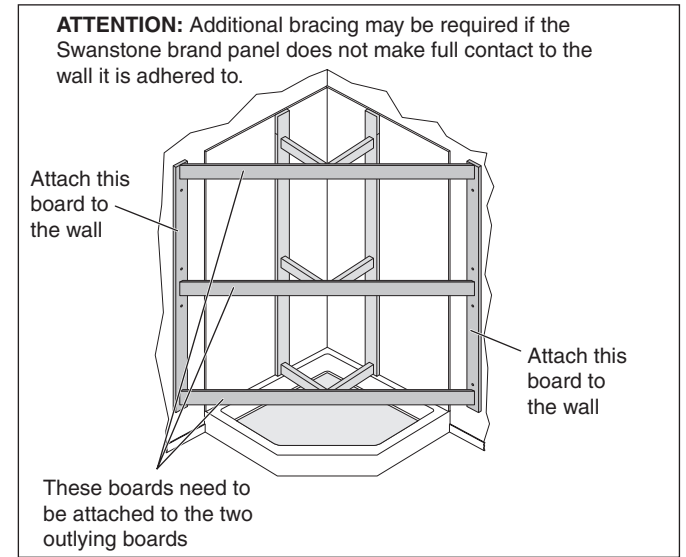
3. Install (wedge) three horizontal braces (six total) against the left and right wall braces.



4. Insert small blocks between the front-to-rear panel braces and the back panel braces. These will apply pressure to the back panel to hold it in place.



For corner shower wall installation use the following illustrated bracing design.



5. Remove the braces after 24 hours.

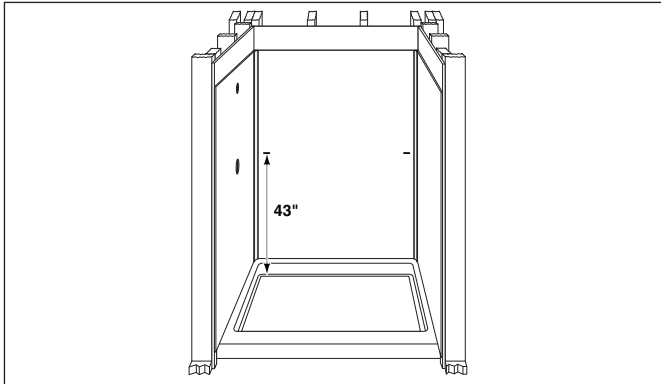
Installation Procedure

Corner Soap Dish Installation

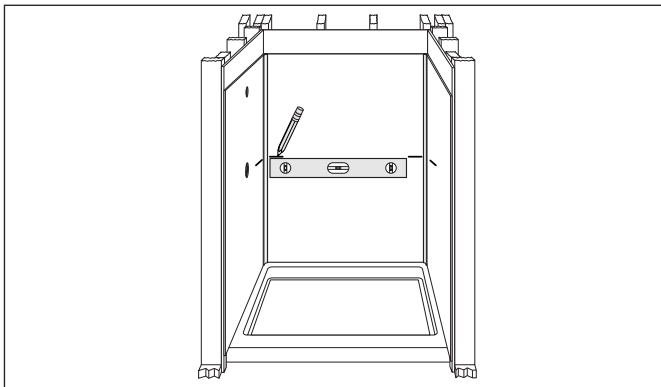
The soap dish is a corner mount design. The soap dishes can be stacked in one corner or placed in opposite corners.

Note: The soap dish is molded with a square corner (as shown in the illustrations). This shape requires installation of the optional corner molding after installation of the soap dish.

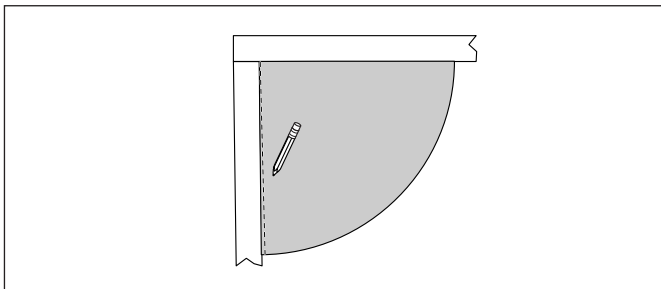
1. Select a desirable height for mounting one or both soap dishes. A height of at least 43" from the shower floor to the soap dish is recommended.



2. After marking the height, draw a 4" level line on both walls. These lines will be used to align the top edges of the soap dish.

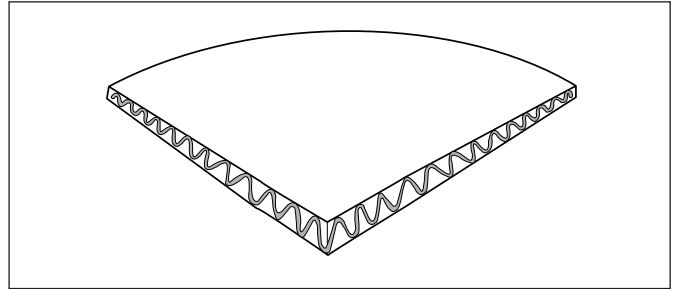


3. Dry fit the soap dish prior to applying clear silicone. The soap dish may require sanding to fit precisely in the corner. The actual angle of the soap dish is slightly greater than 90 degrees to accommodate some adjustment. If necessary, mark and sand the side(s) of the soap dish to achieve a proper fit, using a coarse grit (60 grit) sandpaper.

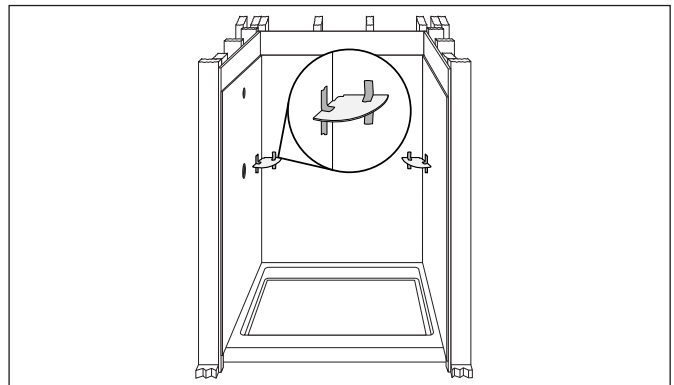


4. Apply silicone to the edge of the soap dish.

Note: Either clear or color matched silicone can be used for attaching the soap dish.



5. Align the soap dish with the level lines and press it into place.
6. Hold the soap dish securely in place and wipe off excess silicone. You will want a uniform bead on both top and bottom.
7. Temporarily secure the soap dish with masking tape, as shown. Remove the tape after approximately two hours. Do not place anything on the soap dish for at least 24 hours.



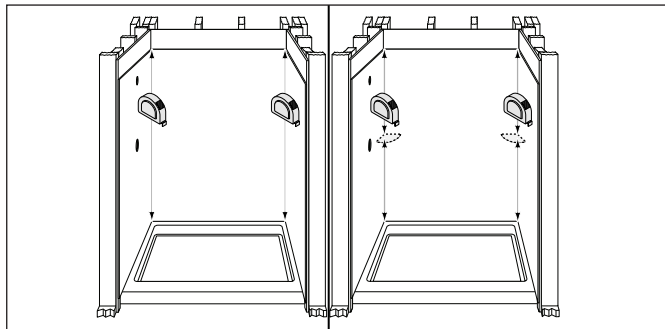
Corner Molding (if applicable)

Installing the corner molding is optional. If the panels were scribed and cut to create a tight-fitting corner, then the corner molding can be eliminated. If, however, there are gaps between the front/rear panel, the corner molding should be installed. Either option, if done properly, is acceptable.

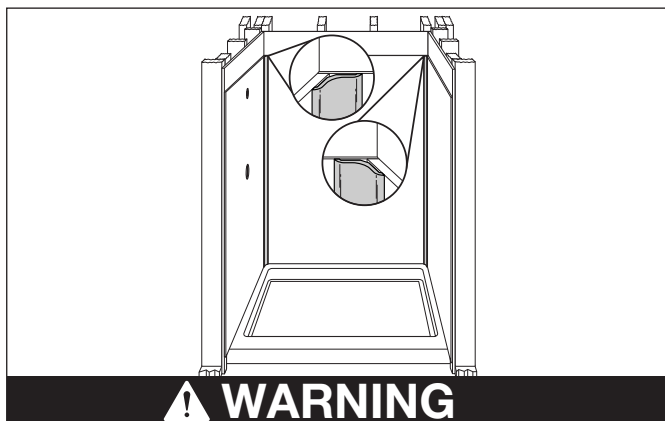
If the optional soap dish was installed, cut one piece of molding to fit above the soap dish and one for below the soap dish.

Note: Either clear or color matched silicone can be used to install corner molding strips.

1. Measure and cut the corner moldings to length.



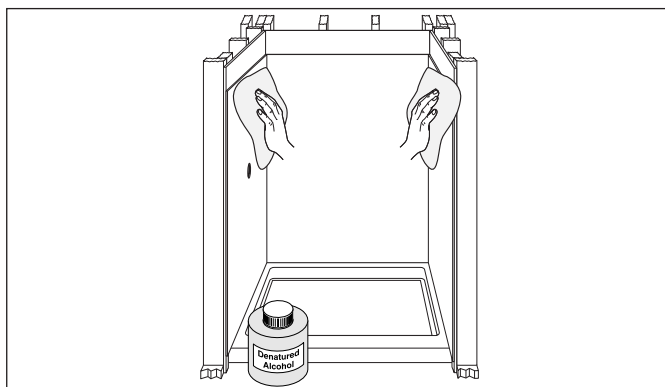
2. Dry fit the corner molding.



Fumes Hazard

The fumes from the silicone and solvents used by the installer can be harmful if used in an unventilated room. Always work in a well-ventilated area. To keep the area well-ventilated, open windows and use exhaust fans. If adequate ventilation is not achievable or practical, use respiratory protective equipment.

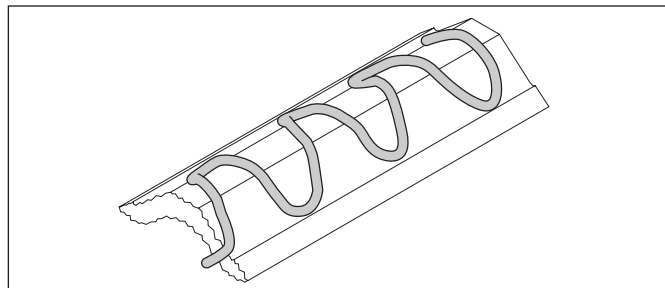
3. Clean the surface of the panels and the back of the molding with denatured alcohol or another non-oil based solvent.



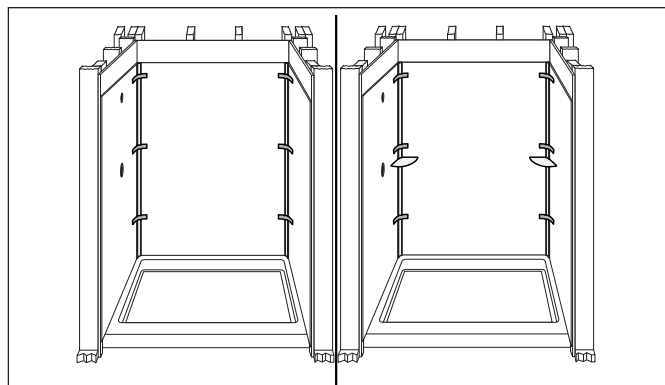
IMPORTANT NOTICE

Do not use oil-based cleaners, such as mineral spirits, to clean the panels. The oil in the cleaner will prevent the panel from adhering properly to the wall.

4. Apply a 1/8 to 1/4" bead of silicone to the back of the corner molding in an S pattern, as shown.



5. Press the corner moldings into place. Remove any excess silicone.
6. Place at least three pieces of masking tape on each corner molding to hold it in place until the silicone adheres to the wall panel.



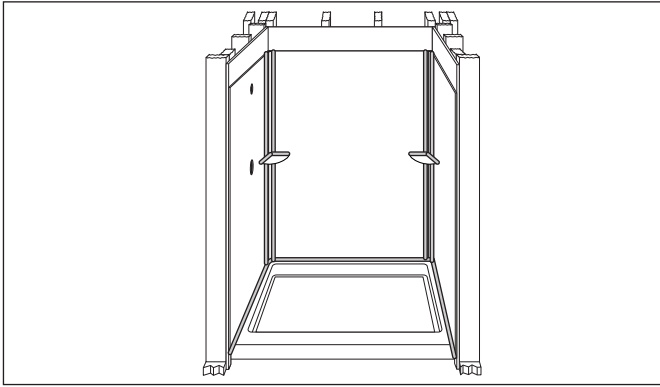
Final Caulking

Apply a bead of the color-matched 100% silicone sealant.

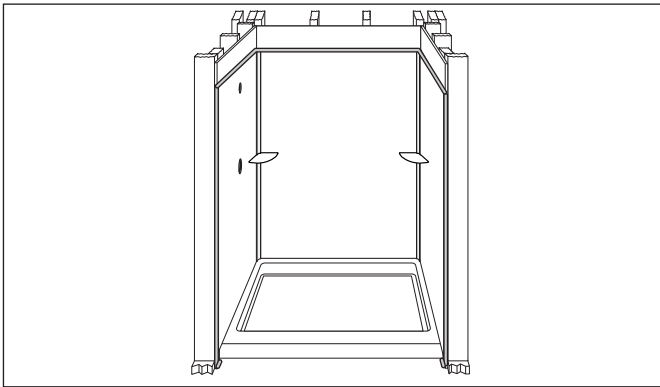
IMPORTANT NOTICE

Follow the manufacturer's instructions on the tube for proper application. Allow at least 24 hours for silicone to set before using the shower enclosure.

1. Apply color-matched 100% silicone sealant to all of the inside seams, as shown.



2. Also, apply color-matched 100% silicone sealant to the exterior edges, as shown. This silicone sealant is nonpaintable.



The installation is now complete. DO NOT discard these installation instructions. PLEASE LEAVE THEM WITH THE HOMEOWNER.

Attaching Shower Doors and Accessories

1. Follow the mounting instructions that come with each accessory.
2. Drill pilot holes, where fasteners pass through the wall panels, slightly larger than the fastener.
3. If anchors are being used, drill the hole in the panel large enough for the head of the anchor to fit through the panel and the structural wall behind it.
4. Use 100% clear silicone to seal any holes or joints between the accessory and the wall panel.

Care and Cleaning

The Swanstone products are stain and abrasion resistant; however, the finish requires reasonable care.

IMPORTANT NOTICE

Because cleaning products change over time, always check the manufacturer's instructions to make sure it is compatible with solid surface acrylic or with fiberglass reinforced polyester. **DO NOT** use a cleaner if the label indicates it should not be used on solid surface acrylics or fiberglass reinforced polyester. **DO NOT** use spray-on cleaners that require daily use without immediately rinsing with water to stop the chemical cleaning reaction because damage will result and void the warranty.

Day-To-Day Cleanup

Simply wipe the surfaces with a clean towel to remove watermarks and residues. All Swanstone products can be cleaned with warm water, a soft cloth, and normal household detergents or cleansers, such as Fantastic, Formula 409, Clorox Clean-up, Handy Andy, Mr. Clean, Dow Scrubbing Bubbles, Lysol Foaming Tub and Tile Cleaner, Top Job, or Lestoil. Always rinse off cleaners within five minutes of application.

Occasional scrubbing with household abrasive cleaners ensures that the original luster is maintained.

Caulking Joints

Inspect caulking joints monthly for damage or any signs of separation from the mating surface. Cracks in the caulking will allow water to leak into the surrounding surfaces. **Reapply caulking to any joint showing signs of wear or cracking.** Failure to inspect and repair caulking joints will void the warranty.

Warranty

If a Swan product covered by this warranty is found to be defective in materials or workmanship, after inspection by an authorized Swan representative, we will repair, or at our option, exchange the product for a similar model. This warranty extends for a designated period of time, so long as it remains in use in its original place of installation.

This warranty covers products installed in accordance with the Swan Corporation's installation instructions, used as recommended, and not damaged due to misuse, abuse, or improper installation. It does not apply to any seams or changes made to the product by professional tradesmen or fabricators.

The Swan Corporation's option to repair or exchange the products under this warranty does not cover any labor or other costs of removal or installation, nor shall the Swan Corporation be responsible for any other incidental or consequential damages attributable to a product defect or to the repair or exchange of a defective product.

Residential Limited Lifetime Warranty

The warranty applies only to the original purchaser and installation of these products in residential applications. It does not apply to commercial applications.

Commercial 30-Year Limited Warranty

The warranty applies only to the original purchaser and installation of these products in commercial applications.

NOTES

Save these Installation Instructions for future reference. They provide important information on cleaning, maintenance, and surface repair of the Swanstone Wall Systems and Panels.

