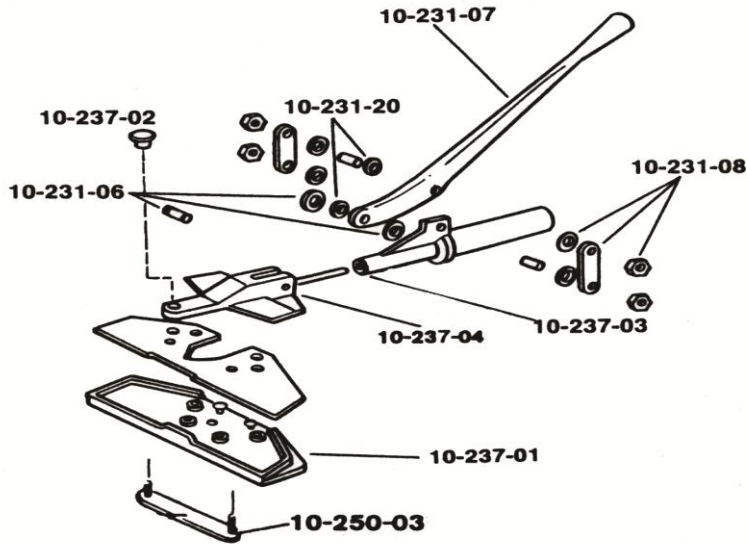


Roberts
Part # **Product Description**

10-237 & 10-237V Junior Power Stretcher

10-237-01	Complete pin plate assembly with head cover, height adjusting bar, screws and washers
10-237-02	Head mounting knob
10-237-03	Neck casting bushing
10-250-03	Height adjusting bar assembly
10-237-04	Head casting with steel thrust rod
10-231-06	Head attachment pins & washers
10-231-07	Lever handle w/bushings
10-412-07	Replacement teeth (sold separately) set of 16
10-231-08	Pair of connecting links with studs nuts and washers
10-231-20	Bushings for lever handle
10-237-50	Power unit assembly



Roberts
Part # **Product Description**

10-258 Power Stretcher Tail

10-258-01	Tail Pin
-----------	----------