



42in Recycler® Kit

Riding Mower

Model No. 137-7042

Installation Instructions

⚠ WARNING

CALIFORNIA Proposition 65 Warning

This product contains a chemical or chemicals known to the State of California to cause cancer, birth defects, or reproductive harm.

Installation

Loose Parts

Use the chart below to verify that all parts have been shipped.

Procedure	Description	Qty.	Use
1	No parts required	–	Prepare the machine.
2	No parts required	–	Prepare the mower deck.
3	Discharge cover Baffle Knob	1 1 1	Install the baffle and discharge cover.
4	Decal	1	Install the decal.
5	Mulching blade	2	Install the blades.



1

Preparing the Machine

No Parts Required

Procedure

1. Park the machine on a level surface.
2. Disengage the PTO, engage the parking brake, and move the motion-control levers outward to the NEUTRAL-LOCK position.
3. Shut off the engine and remove the key.
4. Disconnect the spark-plug wires from the spark plugs.

2

Preparing the Mower Deck

No Parts Required

Procedure

1. Do one of the following:
 - Raise the deck to the highest position and raise the front of the machine so you can access beneath the mower deck. Support the frame of the machine using jackstands.
 - Remove the mower deck as described in the *Operator's Manual* for the machine.
2. Remove the existing mower blades; refer to the *Operator's Manual* for the machine.

3

Installing the Baffle and Discharge Cover

Parts needed for this procedure:

1	Discharge cover
1	Baffle
1	Knob

Procedure

1. Install the baffle and knob (Figure 1).

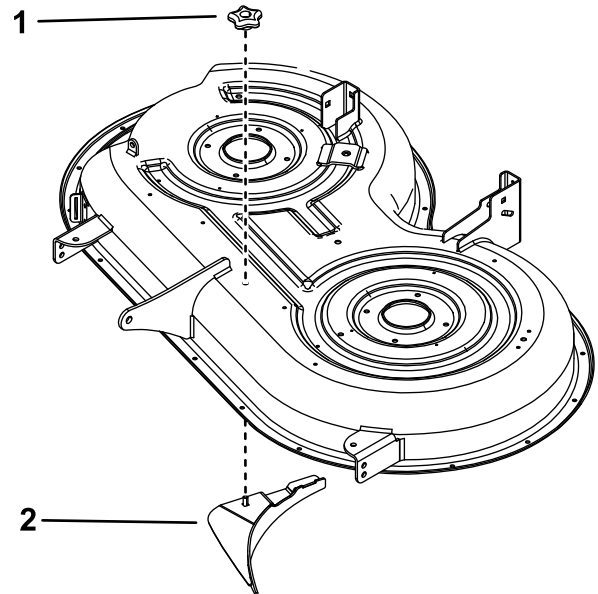


Figure 1

g235120

1. Knob
2. Baffle

2. Angle the metal tab on the discharge cover into the slot in the bracket welded to the mower deck (Figure 2).

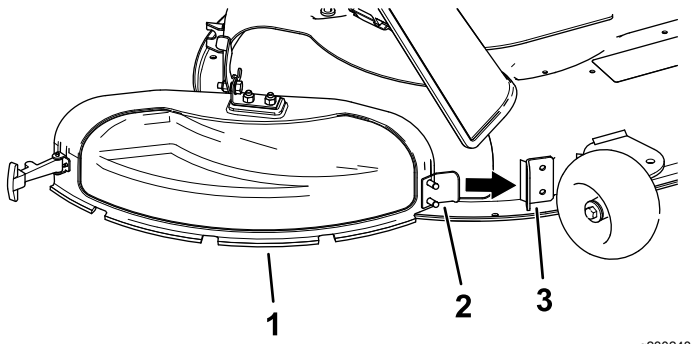


Figure 2

g230248

- 1. Discharge cover
- 2. Metal tab
- 3. Bracket on the mower deck

3. Pivot the discharge cover back and toward the deck so that the discharge cover aligns with the mower deck (Figure 3).

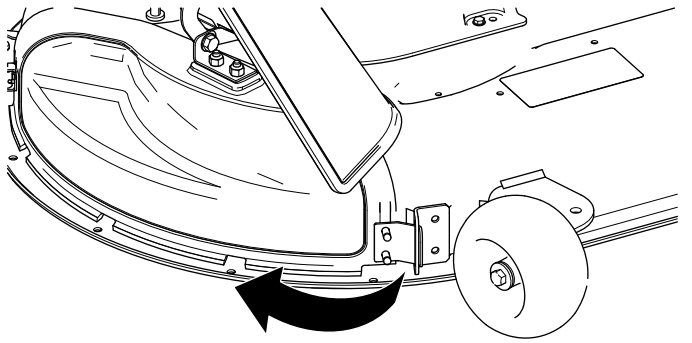


Figure 3

g230249

4. On the top of the discharge cover, engage the hook-shaped latch around the pivot rod of the deflector assembly (Figure 4).

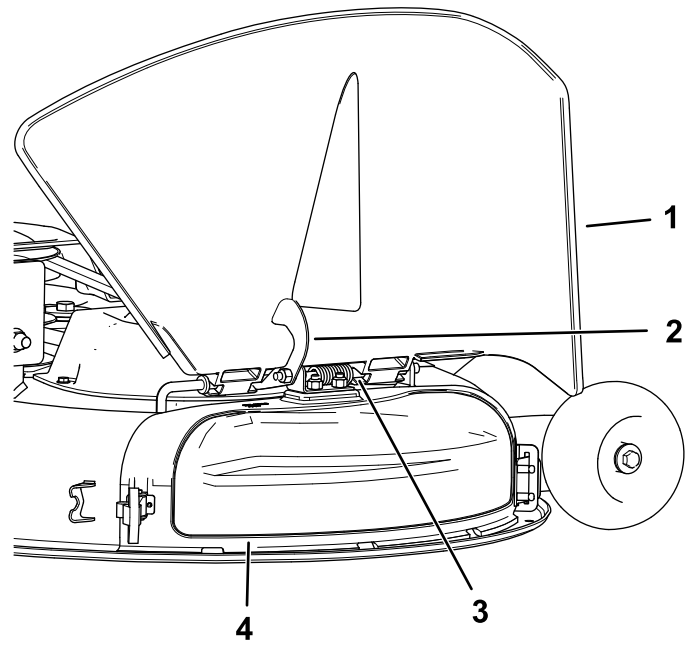


Figure 4

g230253

- 1. Deflector
- 2. Latch
- 3. Pivot rod
- 4. Discharge cover

5. Secure the discharge cover to the deck by hooking the flexible latch on the discharge cover into the retainer on the deck (Figure 6).

4

Installing the Decal

Parts needed for this procedure:

1	Decal
---	-------

Procedure

Install the decal on the left side of the mower deck (Figure 5).

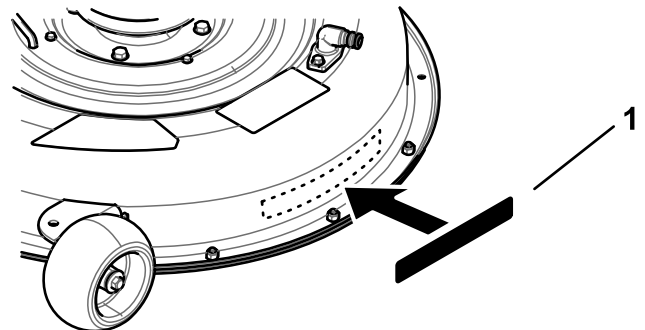


Figure 5

g235122

- 1. Decal

5

Installing the Blades

Parts needed for this procedure:

2	Mulching blade
---	----------------

Procedure

1. Install the mulching blades; refer to the *Operator's Manual* for the machine.
Note: Do not install a blade stiffener. These blades do not require the blade stiffener.
2. Lower the machine or install the mower deck as described in *Operator's Manual* for the machine.
3. Connect the spark plug wires.

Operation

Converting to Side Discharge

Note: To use the mower in side discharge mode, remove only the discharge cover.

1. Park the machine on a level surface, disengage the blade-control switch, and engage the parking brake.
2. Shut off the engine, remove the key, and wait for all moving parts to stop before leaving the operating position.
3. Release the flexible latch from the latch retainer on the discharge cover and pivot the discharge cover to the right (**Figure 6**).

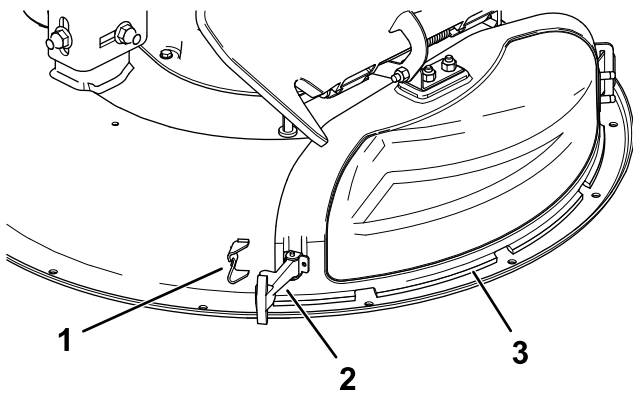


Figure 6

g230251

1. Latch retainer
2. Latch
3. Discharge cover

4. Release the hook-shaped latch on top of the discharge cover from the pivot rod (**Figure 4**).
5. Angle the metal tab on the discharge cover out of the slot in the bracket welded to the mower deck (**Figure 7**).

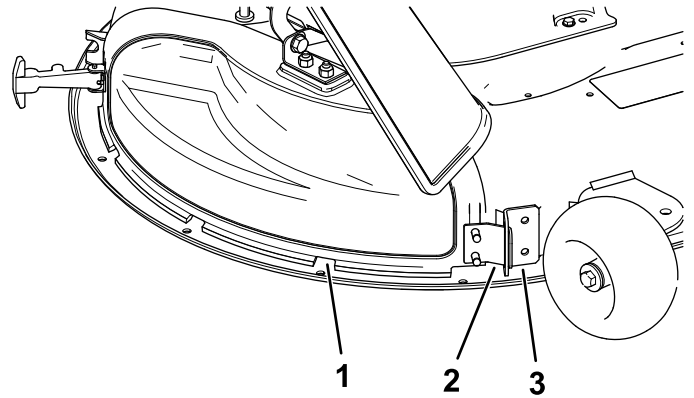


Figure 7

g230250

1. Discharge cover
2. Metal tab
3. Bracket on the mower deck

Operating Tips

Selecting the Proper Height-of-Cut Setting to Suit the Conditions

Remove approximately 1 inch or no more than 1/3 of the grass blade when cutting. In exceptionally lush and dense grass you may need to raise the height-of-cut setting another notch or convert to side discharge or bagging operations.

Mowing in Extreme Conditions

Air is required to cut and recut grass clippings in the mower housing, so do not set the height-of-cut too low or totally surround the housing by uncut grass. Always have 1 side of the mower housing free from uncut grass, allowing air to be drawn into housing. When making an initial cut through the center of the uncut area, operate the machine at a slower speed and back up if the mower starts to clog.

Mowing at the Proper Intervals

Grass grows at different rates at different times of the year. To maintain the same cutting height, mow more often in early spring. As the grass growth rate slows in mid summer, mow less frequently. If you are unable to mow for an extended period due to the weather conditions or other reasons, convert to side discharge or bagging options or mow first with a high cutting height, then mow again 2 days later with a lower height setting.

Maintaining the Blade(s)

Maintain a sharp blade throughout the cutting season because a sharp blade cuts cleanly without tearing or shredding the grass blades. Tearing and shredding turns grass brown at the edges, which slows growth and increases the chance of disease. Check the mower blades after each use for sharpness, and for any wear or damage. File down any nicks and sharpen the blades as necessary. If a blade is damaged or worn, replace it immediately with a genuine the manufacturer replacement blade.

Cleaning after Operating

To ensure optimum performance, clean the underside of the mower housing. If residue builds up in the mower housing, cutting performance decreases.

Notes:

Notes:



Count on it.