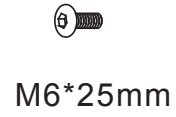


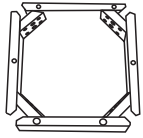
A\*1



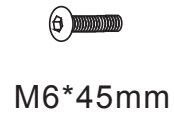
G\*4



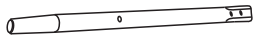
B\*1



H\*2



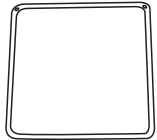
C\*4



I\*4



D\*1



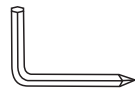
J\*8



E\*4



K\*1

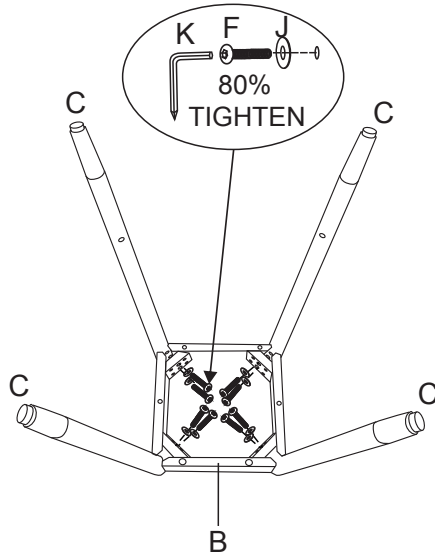


F\*8

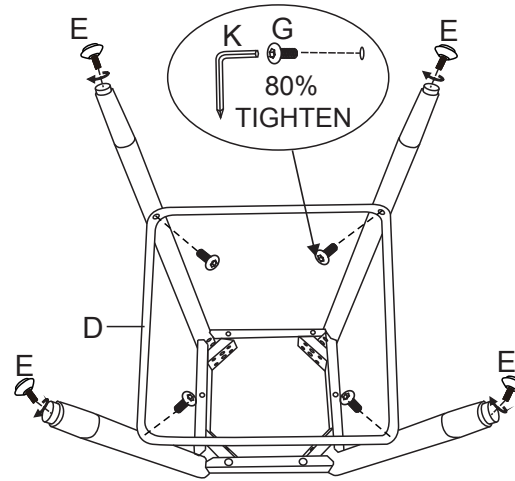


M6\*65mm

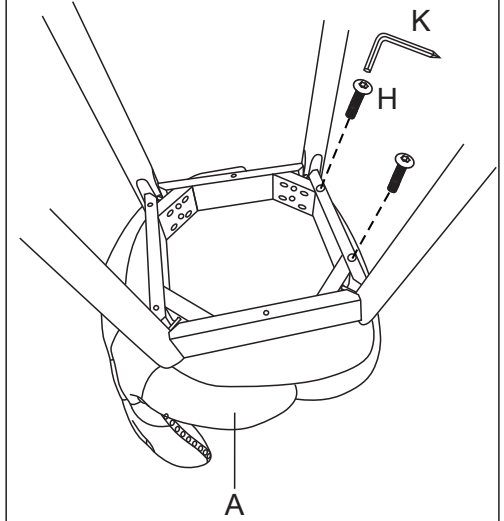
1



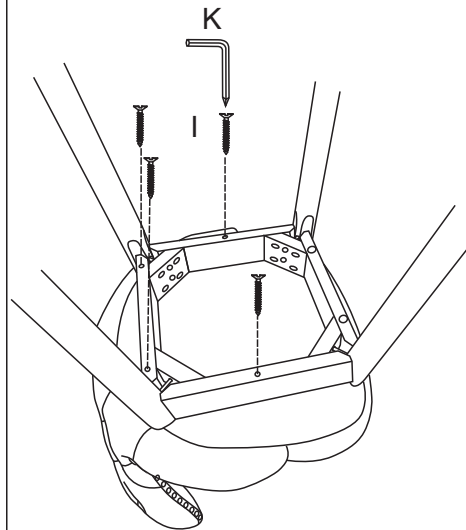
2



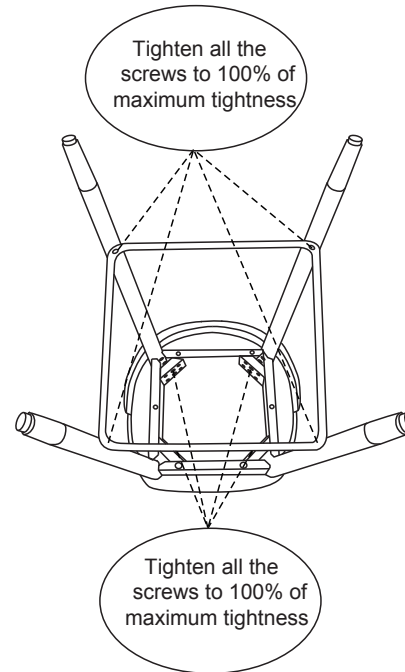
3



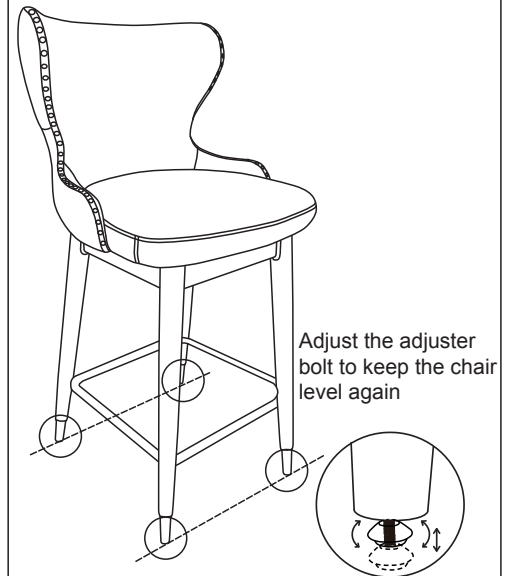
4



5



6



Adjust the adjuster bolt to keep the chair level again