

HAMPTON BAY[®]

MEASURING AND CARE GUIDE

CUSTOM CABINET DOORS & DRAWER FRONTS



**Questions, problems, missing parts? Before returning to the store,
call Hampton Bay Customer Service
8 a.m. - 7 p.m., EST, Monday - Friday, 9 a.m. - 6 p.m., EST, Saturday**

1-855-HD-HAMPTON / HAMPTONBAY.COM

THANK YOU

We appreciate the trust and confidence you have placed in Hampton Bay through the purchase of this (PRODUCT). We strive to continually create quality products designed to enhance your home. Visit us online to see our full line of product available for your home improvement needs. Thank you for choosing Hampton Bay!

Table of Contents

Table of Contents	2	Door Hinge Boring	10
Safety Information	2	Finger Pull Grooves	11
Warranty	3	Worksheet	12
Pre-installation	3	Maintenance	12
<i>Tools required</i>	3	Care and Cleaning	13
Pre Order Measuring	4		
<i>Face Frame Doors & Drawer Fronts</i>	4		
<i>Frameless Doors & Drawer Fronts</i>	6		

Safety Information

GUIDELINES

1. *Read all measure and installation instruction before starting your project.*
2. *Review the list of tools and understand how to properly operate all tools before use.*
3. *Always wear protective eyewear.*

WOOD DUST WARNING

This product can expose you to chemicals including wood dust, which are known to the State of California to cause cancer. For more information go to www.P65Warnings.ca.gov.

EPA TSCA TITLE VI

Products are compliant with EPA TSCA Title VI regulations for formaldehyde emission

Warranty

DOOR & DRAWER FRONT WARRANTY

WHAT IS COVERED

Rigid Thermofoil Products are warranted against yellowing, delamination or any apparent hidden defect that might affect the quality or cause premature deterioration for a period of 12 years from the date of shipment. This guarantee does not apply to any deterioration of the Product resulting from normal wear or when damages are caused by:

- Improper installation or exposure to the elements.*
- Any alteration, modification or transformation of the product.*
- Exposure to temperatures above 85° (185° F).*

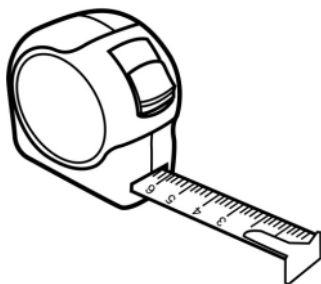
WHAT IS NOT COVERED

- Any costs incurred by the customer for finishing, removal, installation, travel or labor of any kind, nor any other product used with our products.*
- Damages caused by improper handling, storage or installation of our product.*

Pre-installation

TOOLS REQUIRED

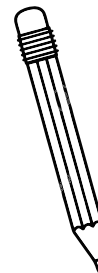
Tape Measure



Paper or Provided Worksheet



Pencil



Pre-Order Measuring

1 Measure Twice, Order Once Accurate

Accurate measurements are crucial to a successful DIY project. You will need to calculate the exact size of the doors and drawer fronts in order to ensure successful installation. Your doors and drawer fronts will be manufactured to the exact size which you order. The products are ordered in Width x Height format (inches), we recommend you measure the same way.

Follow the correct measuring instruction for your cabinet style and use the corresponding worksheet on page 12.

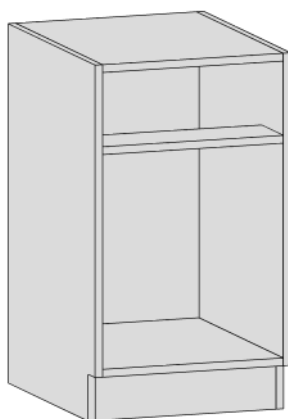
A. Face Frame Cabinet



- Traditional American style cabinet.
- Has a face frame attached to the front face of the cabinet box.

For Face Frame Cabinets, Follow Measuring Instruction 1A

B. Frameless Cabinet



- Modern European style cabinet.
- Has no frame attached to the front of the cabinet box.

For Frameless Cabinets, Follow Measuring Instruction 1B

1A Measuring Face Frame Cabinet Doors & Drawer Fronts

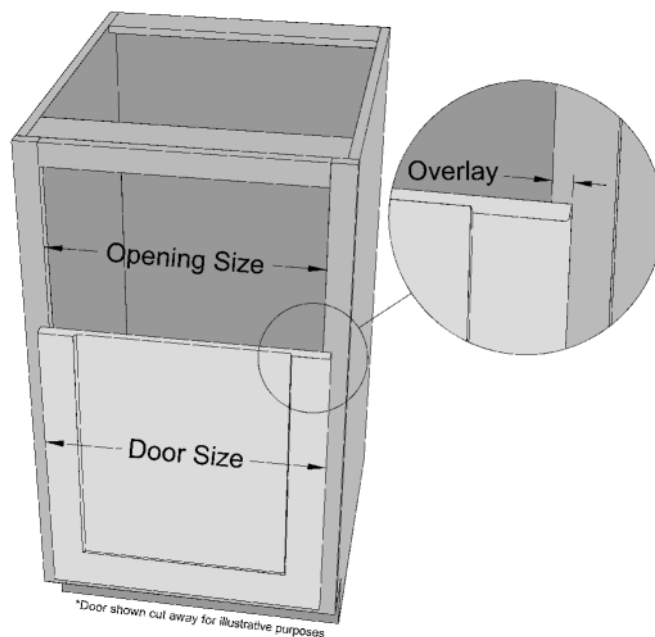
Determining new door & drawer front sizes for face frame cabinets can be done in one of two ways - by measuring existing doors and drawer fronts (see A1), or by measuring the face frame opening and adding the overlay measurement (see A2).

A1. If existing hinges are being reused, and the doors & drawer fronts are simply being replaced, measure existing doors & drawer fronts and submit the sizes.

- Doors & drawer fronts can be manufactured to an accuracy of sixteenths of an inch.
- Measure width (horizontal), then height (vertical).
- Double-check all measurements to ensure accuracy.

Use worksheet provided on page 12 to record the dimensions you will order.

What is Overlay?



"Overlay" refers to how much of the face frame is overlapped by each side of an installed door and drawer front.

Face frame hinges available in this program are compatible with a 1/2" overlay.

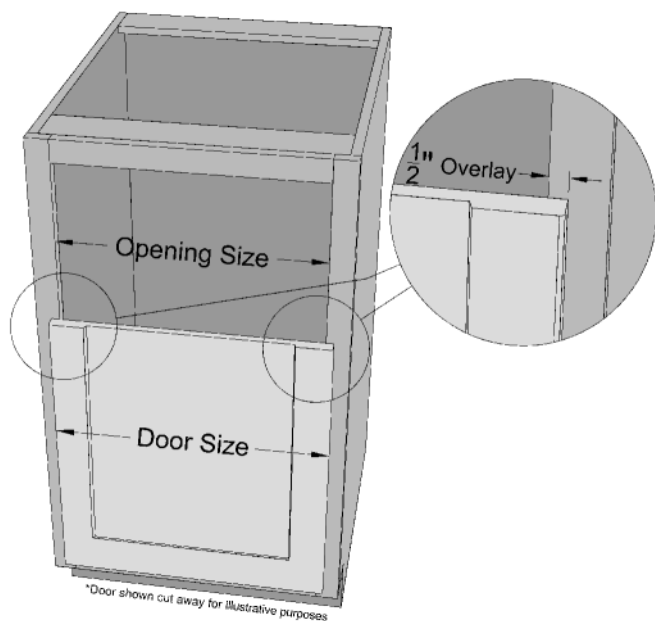
Pre-Order Measuring

Measuring Instructions 1A (continued)

A2. If there are **no** existing doors & drawer fronts, measure face frame openings to calculate door & drawer front sizes.

To calculate single door & drawer front sizes for single face frame openings:

Face frame hinges available in this program are compatible with a 1/2" overlay. To account for a 1/2" overlay on all sides, 1" must be added to the width and height of the face frame opening.



Door width (horizontal) = Face Frame opening Width + 1"
Door height (vertical) = Face frame Opening Height + 1"

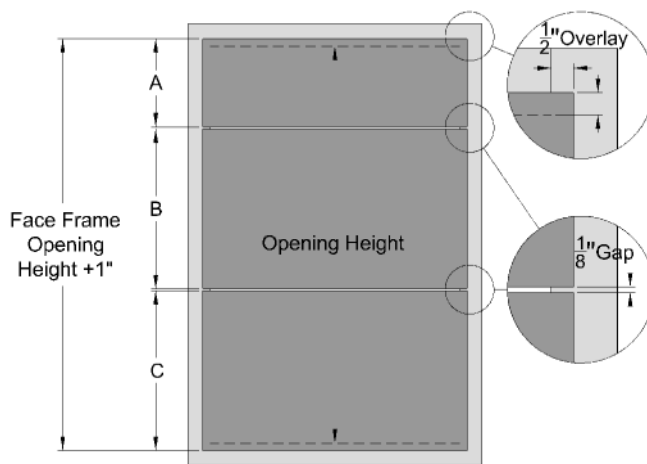
Sometimes more than one door or drawer front may be used to cover one face frame opening.

Allow for 1/2" overlay for the side of each piece where it meets the face frame, and allow for 1/8" gap between pieces that meet each other in the face frame opening.

Be aware that there may be situations in which a 1/2" overlay will interfere with installed millwork, such as moldings or counter tops. Adjust door and drawer heights to accommodate this if necessary.

To calculate the sizes of multiple pieces across the width or height of a single face frame (eg. double doors, bank of drawer fronts):

1. Measure the width or height of the face frame opening, as required, and add 1" for overlay.
2. Determine rough measurements for the pieces to cover the span of the face frame opening. The sum of the rough measurements must equal the above measurement.
3. 1/16" must be subtracted from the rough measurement for each piece where it will meet another piece in the face frame opening.



To calculate drawer front heights for the above example:

Rough heights of A + B + C = Opening Height + 1".

To calculate finished heights of these drawer fronts:

A - subtract 1/16" from the rough measurement of "A" because it meets one other piece ("B") in the face frame opening.

B - subtract 1/8" (1/16" x 2) from the rough measurement of "B" because it meets 2 other pieces (both "A" and "C") in the face frame opening.

C - subtract 1/16" from the rough measurement of "C" because it meets one other piece ("B") in the face frame opening.

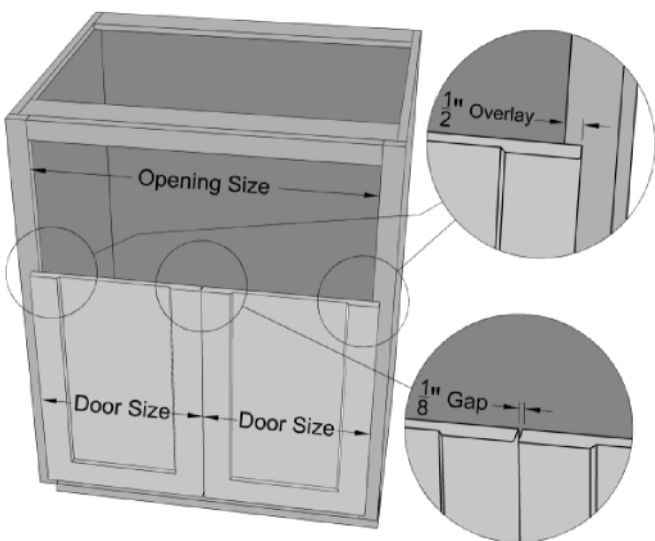
Pre-Order Measuring

Measuring Instructions 1A (continued)

To calculate door sizes for a single face frame opening with 2 equal-sized doors:

A 1/8" gap is required between the two doors.

To calculate the width of each door, measure the width of the face frame opening, and add 1" for overlay. Divide this result by 2, and then subtract 1/16". The result is the width of each door.



$$\text{Door width (horizontal)} = \left[\frac{\text{Width of Opening} + 1''}{2} \right] - 1/16''$$

$$\text{Door height (vertical)} = \text{Face Frame opening height} + 1''$$

Use worksheet provided on page 12 to record the dimensions you will order.

Be aware that there may be situations in which a 1/2" overlay will interfere with installed millwork, such as moldings or counter tops. Adjust door and drawer heights to accommodate this if necessary.

1B Measuring Frameless Doors & Drawer Fronts

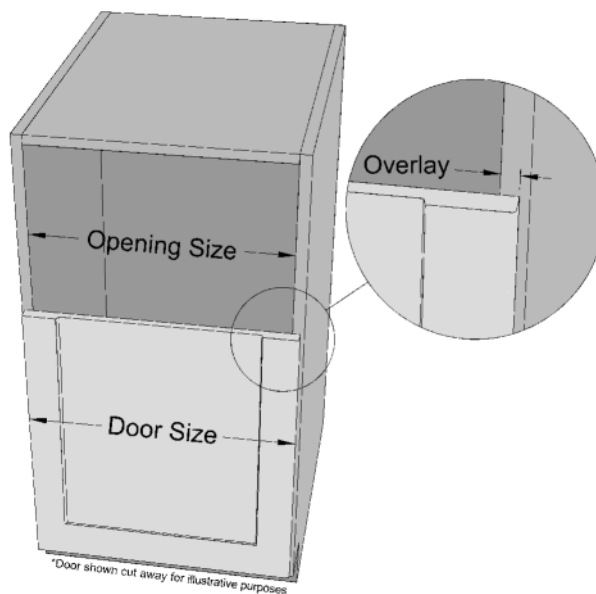
Determining new door & drawer front sizes for frameless cabinets can be done in one of two ways – by measuring existing doors and drawer fronts (**see B1**), or by measuring the outside dimensions of the cabinet box and subtracting the appropriate measurement (**see B2**).

B1. If existing hinges are being reused, and the doors & drawer fronts are simply being replaced, measure existing doors & drawer fronts and submit these sizes.

- Doors & drawer fronts can be manufactured to an accuracy of sixteenths of an inch.
- Measure width (horizontal), then height (vertical).
- Double-check all measurements to ensure accuracy.

Use worksheet provided on page 12 to record the dimensions you will order.

What is Overlay?



"Overlay" refers to how much of the cabinet wall is overlapped by the side of an installed door or drawer front.

Hinge hardware available in this program is compatible with a full overlay on frameless cabinet boxes with 5/8" or 3/4" thick walls.

Pre-Order Measuring

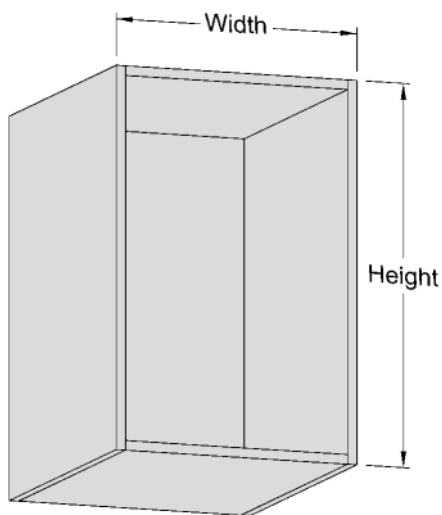
Measuring Instructions 1B (continued)

B2. IF there are no existing doors & drawer fronts, measure the exterior dimensions of the cabinet box to calculate door and drawer front sizes.

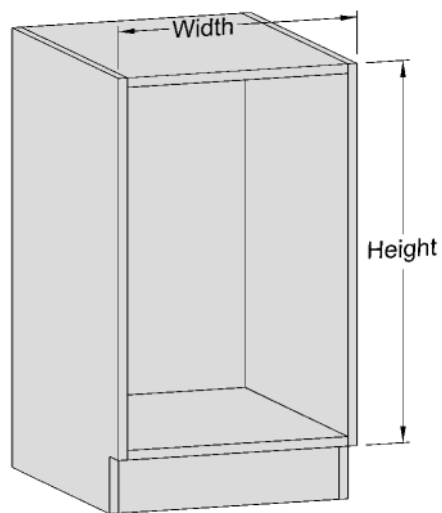
To calculate single door sizes for single frameless cabinet boxes:

To calculate the width of a door that covers a single cabinet box, allow for a 1/8" gap between both sides of the cabinet box, and the edges of the door.

Door Width (horizontal) = Cabinet Box Width - 1/4".

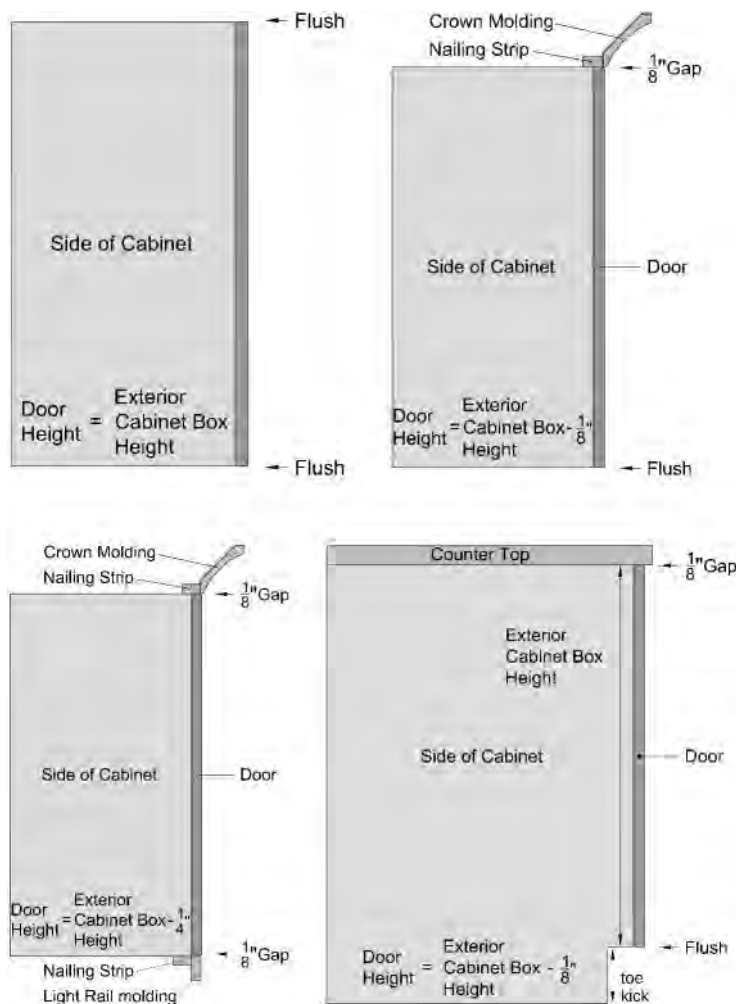


Upper Cabinet Box



Lower Cabinet Box

To calculate the height of a door that covers a single frameless cabinet box, the door height may be equal to the height of the cabinet box HOWEVER 1/8" gaps need to be allowed at the top and/or bottom to accommodate any crown molding or valance (see examples below).



Door height (vertical) = Exterior Height of cabinet box (- 1/8" at top and/or btm for installed millwork)

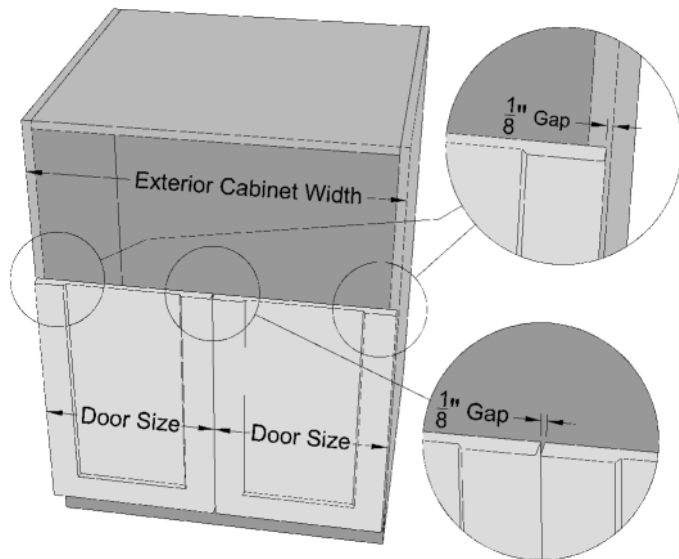
Pre-Order Measuring

Measuring Instructions 1B (continued)

To calculate door sizes for a single frameless cabinet with 2 equal-sized doors:

A 1/8" gap is required between the doors and both the sides of the cabinet.

To calculate the width of each door, measure the outside width of the cabinet and subtract 3/8". Divide this measurement by 2. This number is the width of the door.



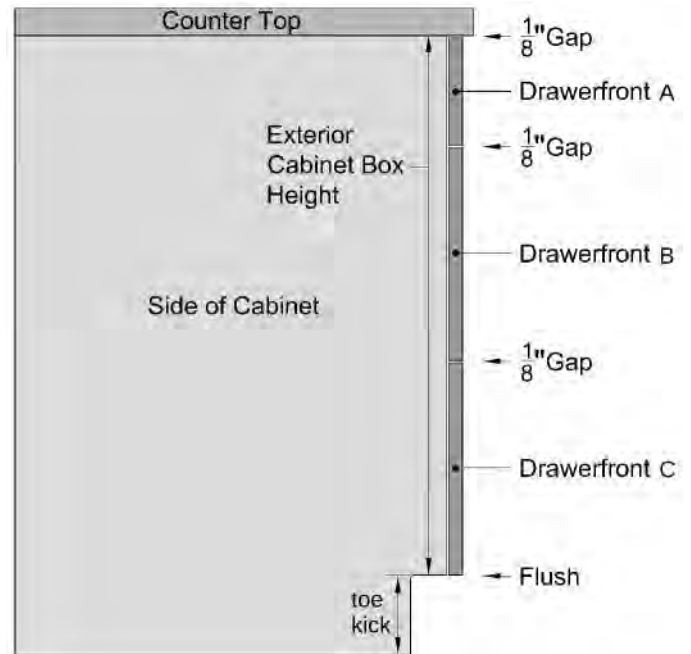
$$\text{Door width (horizontal)} = \left[\text{Exterior Width of cabinet box} - 3/8'' \right] \div 2$$

$$\text{Door height (vertical)} = \text{Exterior Height of cabinet box} \left(- 1/8'' \text{ at top and/or btm for installed millwork} \right)$$

Calculating drawer front sizes for multiple drawer fronts in a frameless cabinet

For width, an 1/8" gap is required between the drawer fronts and the sides of the cabinet. For height, an 1/8" gap is required between the drawer fronts, and any installed millwork (such as a counter top).

$$\text{Drawer front Width (horizontal)} = \text{Cabinet Box Width} - 1/4''$$



To calculate the height of each drawer front, first measure the total height of the cabinet box, and then subtract 1/8" for every required gap. Split this measurement into desired drawer front heights.

Note: external height of base cabinet box does not include height of toe kick.

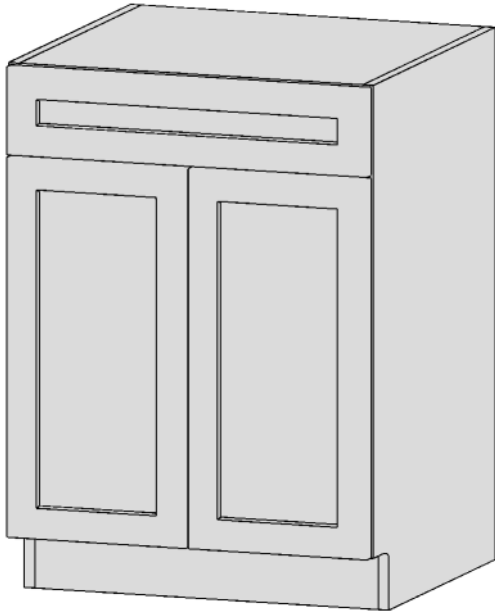
In the above example:

$$\text{Sum of Heights of Drawer fronts A + B + C} = \text{Total height of cabinet box} - 3/8''$$

Pre-Order Measuring

Measuring Instructions 1B (continued)

Calculating door & drawer front sizes for a single frameless cabinet with double doors & a drawer front:



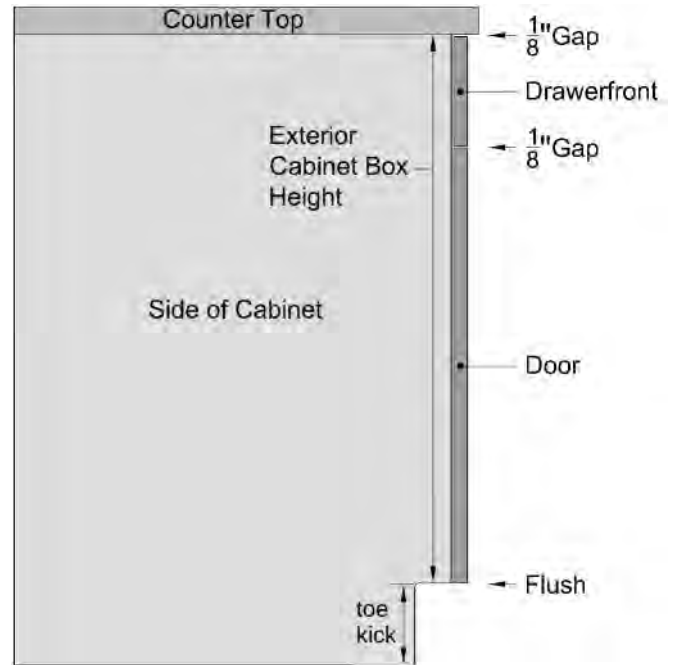
For drawer front width, an 1/8" gap is required between the drawer front and the sides of the cabinet.

For door width, an 1/8" gap is required between the doors and both the sides of the cabinet, as well as an 1/8" gap between the two doors. To calculate the width of each door, measure the outside width of the cabinet and subtract 3/8". Divide this measurement by 2. This number is the width of the door.

Drawer front Width (horizontal) = Cabinet Box Width - 1/4"

$$\text{Door height (horizontal)} = \left[\text{Exterior Width of cabinet box} - 3/8'' \right] \div 2$$

For door & drawer front heights, an 1/8" gap is required between the doors and the drawer front, as well as an 1/8" gap at the top and/or bottom for any installed millwork, such as a counter top.



To calculate the heights of the doors and drawer front, first measure the total height of the cabinet box, and then subtract 1/8" for every required gap. Split this measurement into desired heights for the doors & drawer fronts.

Note: external height of base cabinet box does not include height of toe kick..

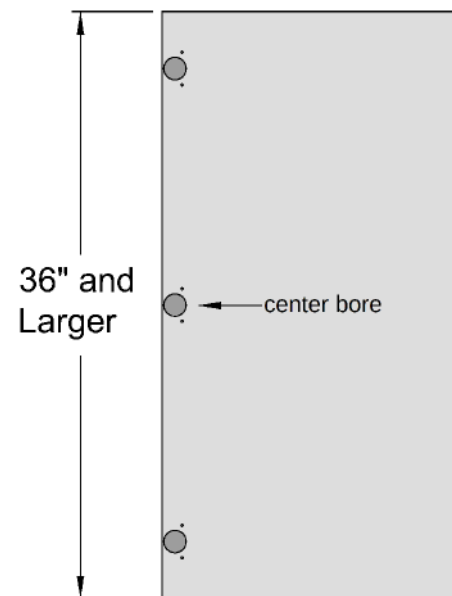
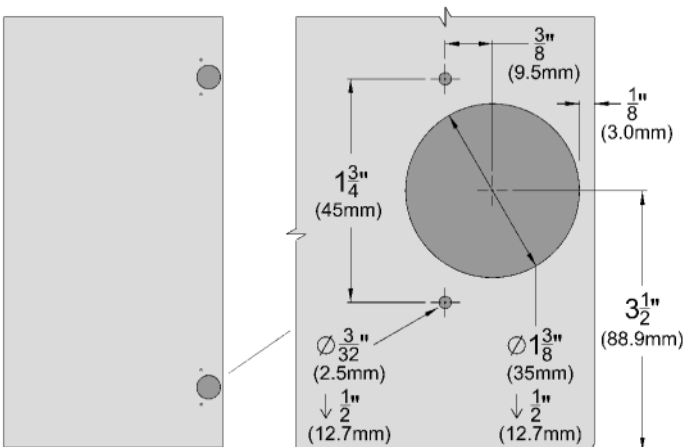
In the above example:

$$\text{Sum of Heights of Drawer fronts A + B + C} = \text{Total height of cabinet box} - 1/4''$$

Pre-Order Measuring

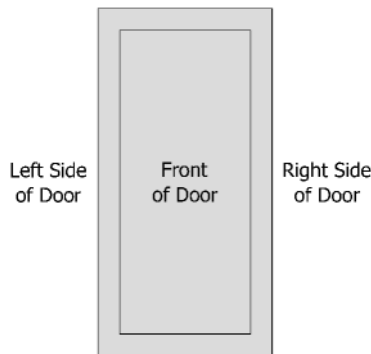
2 Door Hinge Boring

The hinges used in this program are a concealed European style soft-close hinge, and holes are bored to accommodate the installation of this hinge. The hinge fits into a 35mm (1 3/8") diameter hole. Two 2.5mm (3/32") diameter pilot holes are also drilled to accommodate installation of the hinge. With this program, the measurement from the top & bottom of the door to the center of the 35mm (1 3/8") diameter hole is 3 1/2". When using a 1/2" overlay with a face frame cabinet, this means that the center of the bore is 3" from the top or bottom of the face frame opening. Doors can be ordered with boring and hinges, with boring only or no boring at all. If not ordering hinges from this program, ensure the bore pattern is compatible with your selected hinge.



Doors higher than 36" will receive a center bore.

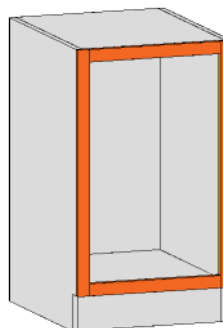
When ordering door hinge boring, specify which side of the door is to be bored.



Specify hinge location as oriented from the front side of the door.

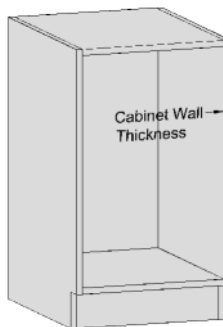
Note: a door cannot receive hinge boring on the same side as a finger pull!

When ordering hinges with this program, ensure that the correct hinge hardware is ordered:



For Face Frame cabinets (1/2" overlay)

Hinge – 000300



For Frameless cabinets (full overlay)

Hinge – 000337



The above hinge must be ordered with the correct mounting plate, according to cabinet wall thickness

For 5/8" thick cabinet walls
Mounting Plate – 984355

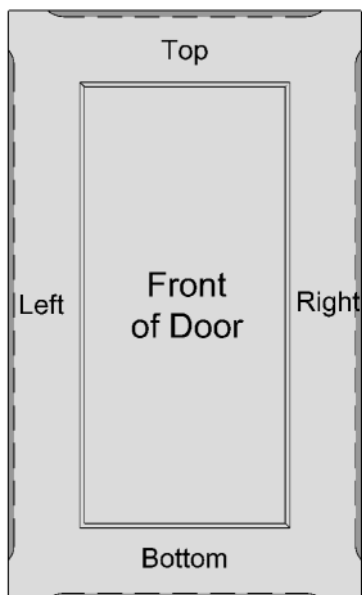
For 3/4" thick cabinet walls
Mounting Plate – 000357



Pre-Order Measuring

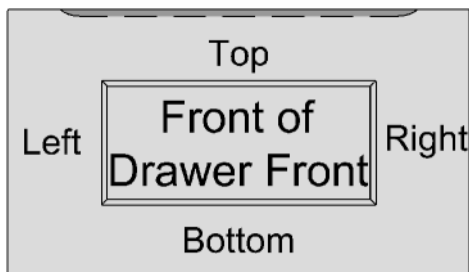
3 Finger Pull Grooves

This program offers the option of a finger pull groove to be machined onto the back side of doors and drawer fronts. Finger pulls may be selected for any edge of a door, and for the top of a drawer front.

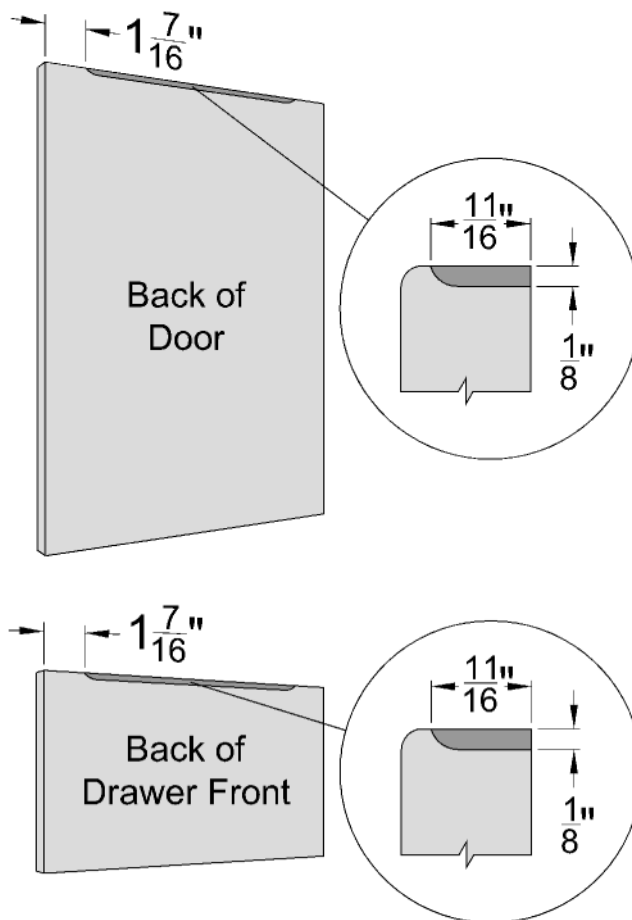


Finger pull grooves are machined onto the back side of doors and drawer fronts, however finger pull location must be specified as oriented from the front side of the door or drawer front.

Please note that a door cannot receive a finger pull on the same side it is to be hinge bored.



Drawer front finger pull groove is applied on the top edge. Drawer front can be flipped if bottom finger pull groove is desired.



Example shown with finger pull grooves on top of door and drawer front.

Measuring Worksheet

Measuring Your Doors & Drawer Fronts

Select Cabinet Style ✓

Face Frame	<input type="checkbox"/>
------------	--------------------------

Frameless	<input checked="" type="checkbox"/>
5/8" thick walls	<input type="checkbox"/>
3/4" thick walls	<input type="checkbox"/>

Hinge Boring & Finger Pull Key			
L	Left	T	Top
R	Right	B	Bottom
		N	None

Doors

	Dimensions		Hinge Boring	Finger Pull	order hinges?
	width	X height	R/L/N	L/R/T/B/N	✓=Yes
1		X			
2		X			
3		X			
4		X			
5		X			
6		X			
7		X			
8		X			
9		X			
10		X			
11		X			
12		X			
13		X			
14		X			
15		X			
16		X			
17		X			
18		X			
19		X			
20		X			

Drawer Fronts

	Dimensions		Finger Pull
	width	X height	T/N
1		X	
2		X	
3		X	
4		X	
5		X	
6		X	
7		X	
8		X	
9		X	
10		X	
11		X	
12		X	
13		X	
14		X	
15		X	
16		X	
17		X	
18		X	
19		X	
20		X	

Maintenance

Do not apply additional weight to the cabinet doors as it could exceed the weight limits of the cabinet hinges and cause damage.

Care and Cleaning

Thermofoil products can be kept looking like new, but proper cleaning materials need to be used. Such as:

- *Methyl Hydrate*
- *non-abrasive soap and water*
- *denatured alcohol and water*

Do not use lacquer thinners or any other product containing acetone, or any abrasive rubbing material or cleaner. Due to extremely high temperatures vented from self-cleaning ovens, it is recommended that a filler be installed between any thermofoil door & drawer front and a self-cleaning oven. It is advised to open all doors and drawer fronts near the self-cleaning oven when the oven is in self-cleaning mode. Exposure to temperatures above 85°C (185°F) is not covered by warranty.

HAMPTON BAY[®]

**Questions, problems, missing parts? Before returning to the store,
call Hampton Bay Customer Service
8 a.m. - 7 p.m., EST, Monday - Friday, 9 a.m. - 6 p.m., EST, Saturday**

1-855-HD-HAMPTON

HAMPTONBAY.COM

Retain this manual for future use.