

# DEWALT®



## Instruction Manual

**DW12A-01T9739**  
**DW12AVP2R3739**  
**Self-Propelled Mower**

**[www.DEWALT.com](http://www.DEWALT.com)**

**If you have questions or comments, contact us.**

**1-855-971-1123**



Form No. 769-26879  
(November 21, 2023)

---

English (***original instructions***)

3

---

Spanish (*Español*)

19





---

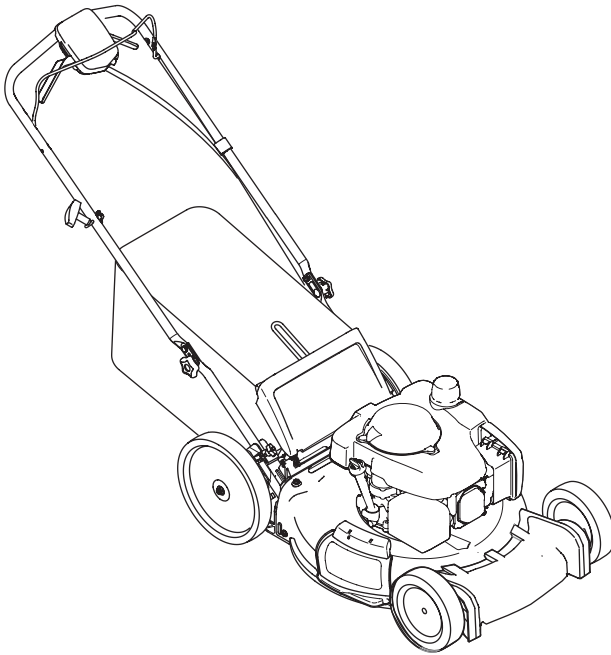
## SAFE OPERATION PRACTICES

---

### Definitions: Safety Alert Symbols and Words

This instruction manual uses the following safety alert symbols and words to alert you to hazardous situations and your risk of personal injury or property damage.

-  **DANGER:** Indicates an imminently hazardous situation which, if not avoided, will result in death or serious injury.
  -  **WARNING:** Indicates a potentially hazardous situation which, if not avoided, could result in death or serious injury.
  -  **CAUTION:** Indicates a potentially hazardous situation which, if not avoided, may result in minor or moderate injury.
  -  (Used without word) Indicates a safety related message.
- NOTICE:** Indicates a practice **not related to personal injury** which, if not avoided, **may** result in property damage.
- 




 **WARNING!** Read all safety warnings and all instructions. Failure to follow the warnings and instructions may result in electric shock, fire, and/or serious injury.

**NOTE:** This Operator's Manual covers several models. Features may vary by model. Not all features in this manual are applicable to all models and the model depicted may differ from yours.

If you have any questions or comments about this or any DeWALT tool, call us toll free at: 1-855-971-1123.

## SAFE OPERATION PRACTICES



**WARNING:**  This symbol points out important safety instructions which, if not followed, could endanger the personal safety and/or property of yourself and others. Read and follow all instructions in this manual before attempting to operate this machine. Failure to comply with these instructions may result in personal injury. When you see this symbol. **HEED ITS WARNING!**



**DANGER:** This machine was built to be operated according to the safe operation practices in this manual. As with any type of power equipment, carelessness or error on the part of the operator can result in serious injury. This machine is capable of amputating hands and feet and throwing objects. Failure to observe the following safety instructions could result in serious injury or death.

### General Information

1. Read, understand, and follow all instructions on the mower and in the manual(s) before attempting to assemble and operate. Keep this manual in a safe place for future and regular reference and for ordering replacement parts.
2. Be familiar with all controls and their proper operation.
3. Never allow children under 14 years of age to operate this mower. Children 14 and over should read and understand the instructions and safe operation practices in this manual and on the mower and should be trained and supervised by an adult.
4. Never allow adults to operate this mower without proper instruction.
5. Store mower in a dry, clean area. Do not store next to corrosive materials, such as fertilizer.
6. If situations occur which are not covered in this manual, use care and good judgment. Contact your customer service representative for assistance.
7. According to the U.S. Consumer Products Safety Commission (CPSC) and the U.S. Environmental Protection Agency (EPA), this product has an estimated useful life of seven (7) years, under ordinary use conditions. At the end of its useful life, have the product inspected annually to ensure all mechanical and safety systems are operating properly, safely, and are not worn excessively. Failure to do so may result in accident, injury, or death.

### Preparation Before Operating

1. Thoroughly inspect the area where the mower is to be used. Remove all stones, sticks, wire, bones, toys, and other foreign objects which could be tripped over or picked up and thrown by the blade(s). Thrown objects can cause serious personal injury.
2. To help avoid blade contact or a thrown object injury, stay in the operator zone behind the mower handles. Keep helpers at least 75 feet (23 meters) from the mower while it is in operation. Keep bystanders, children and pets inside while the mower is in operation. Stop mower if anyone enters the area.
3. Be aware of the mower and attachment discharge direction and do not point the mower discharge at anyone.
4. Always wear safety glasses or safety goggles during operation and while performing an adjustment or repair to protect your eyes. Thrown objects which ricochet can cause serious injury to the eyes.
5. Wear sturdy, rough-soled work shoes and close-fitting slacks and shirts. Loose fitting clothes, jewelry and long hair can be caught in moving parts. Shirts and pants that cover the arms and legs and steel-toed shoes are recommended.
6. Never operate mower in bare feet, sandals, slippery or light-weight (e.g. canvas) shoes.
7. Never over fill fuel tank. Fill tank to no more than 1" (2.5 cm) below bottom of filler neck to allow space for fuel expansion.
8. Replace gasoline cap and tighten securely.
9. Use only accessories and attachments approved for this mower by the mower manufacturer. Read, understand and follow all instructions provided with the approved accessory or attachment.

### Operating

1. Data indicates that operators, age 65 years and above, are involved in a large percentage of mower-related injuries. These operators should evaluate their ability to operate the mower safely enough to protect themselves and others from serious injury.
2. Many injuries occur as a result of the mower being pulled over the foot during a fall caused by slipping or tripping. Do not hold on to the mower if you are losing your balance or footing; immediately release the handle.
3. Never pull the mower back toward you while you are walking. If you must back the mower away from a wall or obstruction first look down and behind to avoid tripping and then follow these steps:
  - a. Step back from mower to fully extend your arms.
  - b. Be sure you are well balanced with sure footing.

## SAFE OPERATION PRACTICES, cont'd

- c. Pull the mower back slowly, no more than half way toward you.
- d. Repeat these steps as needed.
4. Do not engage the drive control (if equipped) while starting engine.
5. The blade control is a safety device. Never attempt to bypass its operation. Doing so makes the safety device inoperative and may result in personal injury through contact with the rotating blade. The blade control must operate freely in both directions and automatically return to the disengaged (off) position when released. The cutting blade continues to rotate for up to three seconds after the blade control is released. Never place any part of the body in the blade area until you are certain the blade has stopped rotating.
6. If the mower should start to vibrate abnormally, stop the engine and check immediately for the cause. Vibration is generally a warning of trouble.
7. Never operate mower without the proper trail shield, discharge cover, grass catcher, blade control or other safety protective devices in place and working. Never operate mower with damaged safety devices. Failure to do so can result in personal injury.
8. When starting engine, pull cord slowly until resistance is felt, then pull rapidly. Rapid retraction of starter cord (kickback) will pull hand and arm toward engine faster than you can let go. Broken bones, fractures, bruises or sprains could result.
9. Do not put hands or feet near rotating parts or under the cutting deck. Contact with the blade(s) can amputate hands and feet.
10. Watch for holes, ruts, bumps, rocks, or other hidden objects. Uneven terrain or hidden objects could cause a slip and/or trip accident. Tall grass can hide obstacles.
11. Your mower is designed to cut normal residential grass of a height no more than 7" (17.5 cm). Do not attempt to mow through unusually tall, dry grass (e.g., pasture) or piles of dry leaves.
12. Plan your mowing pattern to avoid discharge of material toward roads, sidewalks, helpers and the like. Avoid discharging material against a wall or obstruction which may cause discharged material to ricochet back toward the operator.
13. Shut the engine off and wait until the blade comes to a complete stop before removing the grass catcher or unclogging the chute. The cutting blade continues to rotate for up to three seconds after the blade control is released. Never place any part of the body in the blade area until you are certain the engine is off and the blade has stopped rotating.
14. A missing or damaged discharge door, chute or mulch plug can cause blade contact or thrown object injuries.
15. Do not operate the mower without the discharge door, chute, mulch plug or the entire grass catcher in its proper place.
16. Stop the mower blade when crossing gravel drives, walks, or roads and while not cutting grass.
17. Mow only in daylight or good artificial light.
18. Do not operate the mower while under the influence of alcohol or drugs.
19. The muffler and engine become very hot and can cause serious burn injuries. Do not touch. Allow the mower to cool for at least five minutes before storing or attempting any service.
20. Never run an engine indoors or in a poorly ventilated area. Engine exhaust contains carbon monoxide, an odorless and deadly gas.

### Children

1. Tragic accidents can occur if the operator is not alert to the presence of children. Children are often attracted to the mower and the mowing activity. They do not understand the dangers. Never assume that children will remain where you last saw them.
2. Keep bystanders, children and pets inside while the mower is in operation under watchful care of a responsible adult other than the operator. Stop mower if anyone enters the area.
3. Be alert and turn mower off if a child or bystander enters the area.
4. Never allow children under 14 years of age to operate this mower. Children 14 and over should read and understand the instructions and safe operation practices in this manual and on the mower and should be trained and supervised by an adult.
5. This mower is a precision piece of power equipment, not a plaything. Therefore, exercise extreme caution at all times. This mower has been designed to perform one job: to mow grass. Do not use it for any other purpose.
6. Use extreme care when approaching blind corners, doorways, shrubs, trees or other objects that may block your vision of a child who may run into the path of the mower.
7. Keep children away from hot or running engines. They can suffer burns from a hot engine or muffler.
8. If your mower is equipped with an Electric Start Push Key, remove the key when the mower is unattended to prevent unauthorized operation. Make certain the key is inaccessible to small children.

## SAFE OPERATION PRACTICES, cont'd

### Slope Operation for Walk-Behind Mowers

1. Slopes are a major factor related to slip and fall accidents which can result in severe injury or death. All slopes require extra caution. If you feel uneasy on the slope, do not mow it.
2. For your safety, measure any slope before using the mower on the sloped area. Use a slope measuring device in addition to the slope gauge included as part of this manual to measure slopes before operating this mower on a sloped or hilly area. Smart phone applications can be also utilized to measure slopes. If the slope is greater than 15 degrees (25%) as shown on the slope gauge or a slope measuring device, do not operate this mower on that area or serious injury could result.
3. Do not mow on slopes greater than 15 degrees (25%).
4. Only mow across slopes, never mow up and down slopes.
5. The mower may speed up when turning downhill, always turn uphill. Maintain control of the mower at all times.
6. Do not mow on wet grass. Unstable footing could cause slipping.
7. Do not operate the mower under any conditions where traction or stability is in question. Always be sure of your footing. A slip and fall can cause serious personal injury. If you feel you are losing your balance or footing, release the blade control handle immediately and the blade will stop rotating within three (3) seconds.
8. Stay at least 3 feet (1 meter) from drop-offs, ditches, embankments or the edge of water. You could lose your balance or footing.

### Fire & Fuel

1. To avoid personal injury or property damage use extreme care in handling gasoline. **Gasoline is extremely flammable and the vapors are explosive.** Serious personal injury can occur when gasoline is spilled on yourself or your clothes which can ignite. Wash your skin and change clothes immediately.
2. Extinguish all cigarettes, cigars, pipes and other sources of ignition.
3. Only use an approved portable fuel (gasoline) container. Use only containers certified by EPA, CARB, and/or OSHA.
4. Never remove gas cap or add fuel while the engine is hot or running. Allow engine to cool at least five minutes before refueling.
5. Never fuel the mower indoors.
6. Never store the mower or fuel container inside where there is an open flame, spark or pilot light as on a water heater, space heater, furnace, clothes dryer or other gas appliances.
7. If fuel is spilled, wipe it off the engine and mower. Clean up oil or fuel spillage and remove any fuel soaked debris. Move the mower to another area. Wait at least 5 minutes before starting the engine.
8. To reduce fire hazards, keep mower free of grass, leaves, or other debris build-up. Follow the instructions in the Service and Maintenance section to keep your mower free of debris.
9. Never over fill fuel tank. Fill tank to no more than 1" (25mm) below bottom of filler neck to allow space for fuel expansion.
10. Replace gas cap and tighten securely.
11. Allow a mower to cool at least five minutes before fueling or storing.
12. Never fill containers inside a vehicle or on a truck or trailer bed with a plastic liner. Always place containers on the ground away from your vehicle before filling.
13. When practical, remove gas-powered equipment from the truck or trailer and refuel it on the ground. If this is not possible, then refuel such equipment on a trailer with a portable container, rather than from a gasoline dispenser nozzle.
14. Keep the nozzle in contact with the rim of the fuel tank or container opening at all times until fueling is complete. Do not use a nozzle lock-open device.

### Service

1. Keep the mower in good working order. Replace worn or damaged parts.
2. To avoid serious injury or death, do not modify engine in any way. Tampering with the governor setting can lead to a runaway engine and cause it to operate at unsafe speeds. Never tamper with factory setting of engine governor. Do not change the engine governor settings or over-speed the engine. The governor controls the maximum safe operating speed of the engine.
3. Mower blades are sharp. Wrap the blade or wear gloves, and use extra caution when servicing them.
4. Before cleaning, repairing, or inspecting, make certain the blade and all moving parts have stopped. Disconnect the spark plug wire and ground against the engine to prevent unintended starting.
5. Ensure the blade comes to a complete stop within (3) three seconds after operating the blade control. If the blade does not stop in less than three seconds, your mower must be serviced professionally by an authorized service dealer. Check for proper operation per the Service and Maintenance section.

## SAFE OPERATION PRACTICES, cont'd

6. Regularly check the safety interlock system for proper function, as described later in this manual. If the safety interlock system does not function properly, have your mower serviced professionally by an authorized service dealer.
7. Never tamper with the blade control safety interlock or other safety devices. Check for proper operation per the Service and Maintenance section.
8. Check the mower blade and engine mounting bolt torque in accordance to the Service and Maintenance section in this manual. Also, visually inspect blade for damage (e.g., excessive wear, bent, cracked). Replace the blade with the original equipment manufacturer's (O.E.M.) blade only.
9. Use of service parts which do not meet the original equipment specifications may lead to improper performance and compromise safety.
10. Keep all nuts, bolts, and screws tight to be sure the equipment is in safe working condition. Check all hardware for tightness per the Service and Maintenance section.
11. After striking a foreign object, stop the engine, disconnect the spark plug wire(s) and ground against the engine. Thoroughly inspect the mower for any damage. Repair the damage before starting and operating.
12. Never attempt to make wheel cutting height adjustments or repairs to the mower while the engine is running.
13. Grass catcher components and the discharge cover are subject to wear and damage which could expose moving parts or allow objects to be thrown. For safety protection, frequently check components and replace immediately with original equipment manufacturer's (O.E.M.) parts only. "Use of parts which do not meet the original equipment specifications may lead to improper performance and compromise safety."
14. Maintain or replace safety and instruction labels, as necessary.
15. Observe proper disposal laws and regulations for gas, oil, etc. to protect the environment.

### Notice Regarding Emissions

**Engines which are certified to comply with California and federal EPA emission regulations for SORE (Small Off Road Equipment) are certified to operate on regular unleaded gasoline, and may include the following emission control systems: Engine Modification (EM) and Three Way Catalyst (TWC) if so equipped.**

When required, models are equipped with low permeation fuel lines and fuel tanks for evaporative emission control. California models may also include a carbon canister. Please contact Customer Support for information regarding the evaporative emission control configuration for your model.

### Spark Arrestor



**WARNING:** *This mower is equipped with an internal combustion engine and should not be used on or near any unimproved forest-covered, brush-covered or grass-covered land unless the engine's exhaust system is equipped with a spark arrestor meeting applicable local or state laws (if any).*

If a spark arrestor is used, it should be maintained in effective working order by the operator. In the State of California the above is required by law (Section 4442 of the California Public Resources Code). Other states may have similar laws. Federal laws apply on federal lands.

A spark arrestor for the muffler is available through your nearest engine authorized service dealer or contact the service department, P.O. Box 361131 Cleveland, Ohio 44136-0019.

### Slope Gauge (Back Cover)



**WARNING:** *Slopes are a major factor related to slip and fall accidents which can result in severe injury or death. All slopes require extra caution. If you feel uneasy on the slope, do not mow it. Do not mow on slopes greater than 15 degrees (25%). Only mow across slopes, never mow up and down slopes.*












**USE THE SLOPE GAUGE ON THE BACK COVER AS SHOWN TO DETERMINE IF A SLOPE IS TOO STEEP FOR SAFE OPERATION!**

**To check the slope, proceed as follows:**

1. Open manual to page and fold along the dashed line.
2. Locate a vertical object on or behind the slope (e.g. a pole, building, fence, tree, etc.)
3. Align either side of the slope gauge with the object.
4. Adjust gauge up or down until the left corner touches the slope.
5. If there is a gap below the gauge, the slope is too steep for safe operation.

# SAFE OPERATION PRACTICES, cont'd

This page depicts and describes safety symbols that may appear on this mower. Read, understand, and follow all instructions on the mower before attempting to assemble and operate.

Symbol	Description
 <p><b>OPESymbol.com</b></p>	<p><b>WARNING — READ THE OPERATOR'S MANUAL(S)</b> - Read, understand and follow all the safety rules and instructions in the manual(s) and on the mower before attempting to operate this mower. Failure to comply with this information may result in personal injury or death. Keep this manual in a safe location for future and regular reference.</p>
	<p><b>DANGER — AVOID AMPUTATION INJURY</b> - Do not put hands or feet near or under the cutting deck. Contact with the blade can amputate hands and feet.</p>
	<p><b>DANGER — AVOID THROWN OBJECT INJURY</b> - Remove all stones, sticks, wire, bones, toys, and other foreign objects which could be picked up and thrown by the blade(s). Stay in the operator zone behind the mower handles. Keep helpers at least 75 feet (23 meters) from mower during operation. Stop mower if anyone enters the area.</p>
	<p><b>DANGER — AVOID CHILD BLADE CONTACT/THROWN OBJECT INJURY</b> - To help avoid blade contact or a thrown object injury, do not mow when children or others are around. Keep bystanders, children and pets inside while the mower is in operation. Stop mower if anyone enters the area.</p>
	<p><b>DANGER — AVOID THROWN OBJECT INJURY</b> - Do not operate the mower without the trail shield, discharge cover or entire grass catcher in its proper place. Stay in the operator zone behind the mower handles.</p>
	<p><b>DANGER — ROTATING BLADES</b> - To reduce the risk of injury, keep hands and feet away. Do not operate unless discharge cover or entire grass catcher is in its proper place. If damaged, replace immediately.</p>
	<p><b>DANGER — AVOID SLIP AND FALL ON SLOPES</b> - Slopes are a major factor related to slip and fall accidents which can result in severe injury or death. All slopes require extra caution. If you feel uneasy on the slope, do not mow it. Do not mow on slopes greater than 15 degrees (25%). Only mow across slopes, never mow up and down slopes.</p>
	<p><b>DANGER — AVOID EYE INJURY</b> - Always wear safety glasses or safety goggles during operation and while performing an adjustment or repair to protect your eyes. Thrown objects which ricochet can cause serious injury to the eyes.</p>
	<p><b>DANGER — AVOID TRIPPING INJURY</b> - Never pull the mower back toward you while you are walking. If you must back the mower away from a wall or obstruction first look down and behind to avoid tripping.</p>
	<p><b>WARNING — GASOLINE IS FLAMMABLE</b> - Allow the engine to cool at least five minutes before refueling.</p>
	<p><b>WARNING — AVOID BURN INJURY</b> - The muffler and engine become very hot and can cause serious burn injuries. Do not touch. Allow the mower to cool for at least five minutes before storing or attempting any service.</p>

**! WARNING: YOUR RESPONSIBILITY—Restrict the use of this power machine to persons who read, understand and follow the warnings and instructions in this manual and on the machine - SAVE THESE INSTRUCTIONS!**



## ASSEMBLY

**IMPORTANT:** This mower is shipped without gasoline or oil in the engine. Be certain to service engine with gasoline and oil as instructed in the Operation section of the Engine Manual before starting or operating your mower.

**NOTE:** Reference to right and left hand side of the Lawn Mower is observed from the operating position.

## Unpacking

### Opening Carton

1. Cut each corner of the carton vertically from top to bottom.
2. Remove all loose parts:
  - Grass Catcher (if equipped)
  - Engine Oil
3. Remove loose packing material.

### Removing Mower From Carton

1. Lift mower from the rear to detach it from underlying carton material and roll mower out of carton.
2. Check carton thoroughly for any other loose parts.
3. Remove all packing material from the upper and lower handle including any packaging securing the blade control to the upper handle and any packaging between upper and lower handles.

## Mower Assembly

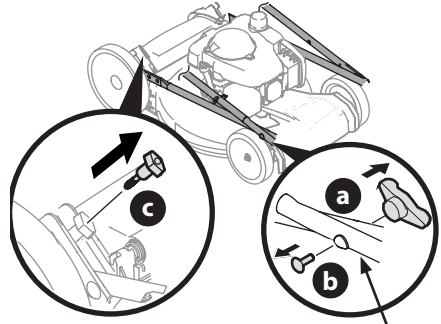
Perform the following procedures to assemble and set up the mower:

- **Handle Assembly**
- **Recoil Starter Rope Handle Assembly**
- **Attaching the Grass Catcher (if equipped)**
- **Attaching Side Discharge Chute or Side Discharge Blower (if equipped)**

**NOTE:** Refer to the procedures in Adjustments to adjust the cutting height, handle angle (if equipped) and drive control (if equipped) as necessary.

## Handle Assembly

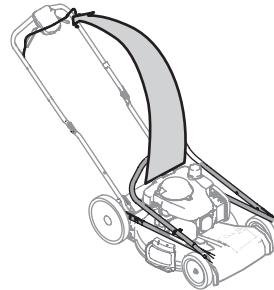
1. Remove knobs or wing nuts (a) and carriage bolts (b) from the handle (Figure 1).



Do not loosen or remove hex head screws.

**Figure 1**

2. Remove the T-bolts (c) from the handle brackets (Figure 1).
3. While stabilizing mower so it doesn't move, gently lift and pivot the upper handle into the operating position (Figure 2). Make certain the lower handle is seated securely into the handle brackets. Do not crimp control cables while lifting the handle up.



**Figure 2**

## ASSEMBLY, cont'd

4. Reattach knobs or wing nuts (a) and carriage bolts (b) removed in STEP 2 into the handle (Figure 3).

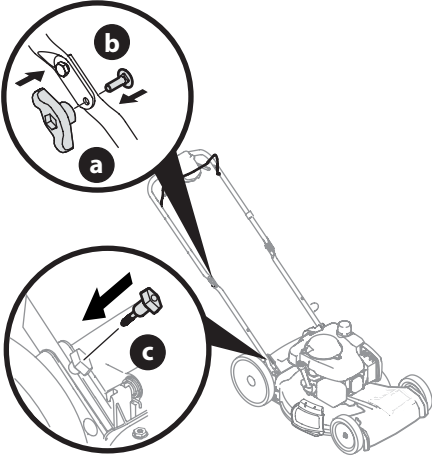


Figure 3

## Recoil Starter Rope Handle Assembly

**NOTE:** The rope guide is attached to the right side of the upper handle. Loosen the knob securing the rope guide (Figure 4).

**NOTE:** Select units include a slip knot in the recoil starter rope to reduce slack during shipping. Ensure slip knot is released before performing this procedure.

1. Hold blade control against upper handle.
2. Slowly pull recoil starter rope handle from engine and slip starter rope into the rope guide.
3. Tighten rope guide knob.

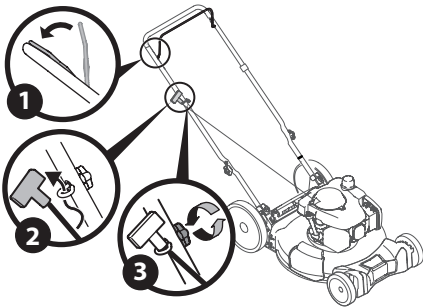


Figure 4

4. If necessary, tighten any loose cable ties (a) securing cables to the handle (Figure 5).

**IMPORTANT:** To reduce wear and allow for proper operation, make sure to leave some slack in the upper portion of the cables.

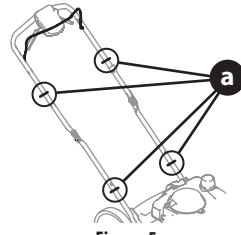


Figure 5

## Attaching the Grass Catcher (If Equipped)

1. Perform the following to assemble the grass catcher (Figure 6).

**NOTE:** Before assembling the grass catcher, ensure the grass bag is turned right side out, with the warning label showing on the outside.

- a. Place bag over frame so that its black plastic side is at the bottom.
- b. Slip plastic channels (a) of grass bag over the frame (b).

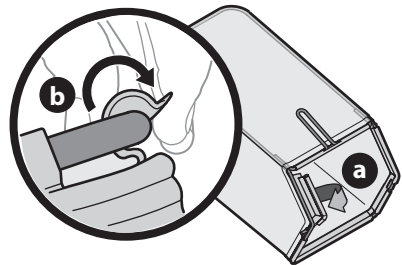


Figure 6

2. Follow steps below to attach grass catcher (Figure 7):
  - a. Lift rear discharge door (a).
  - b. Remove the rear mulch plug (b) (if equipped).
  - c. Place grass catcher into the slots in the handle brackets (c). Lower the discharge door so that it rests on the grass catcher.

**NOTE:** To remove grass catcher, lift rear discharge door on the mower. Lift grass catcher up and off the slots in

## ASSEMBLY, cont'd

the handle brackets. Reinstall the rear mulch plug (if equipped). Release rear discharge door to allow it to close rear opening of mower.

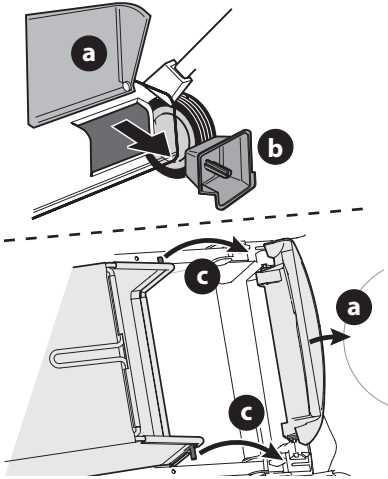


Figure 7

## Attaching Side Discharge Chute (If Equipped)

The mower is shipped as a mulcher. To convert to side discharge, ensure the grass catcher is removed, the rear mulch plug is installed (if equipped) and the rear discharge door is closed.

1. Lift the mulch plug (Figure 8).
2. Slide the two hooks of the side discharge chute (a) under the mulch plug hinge pin. Lower the mulch plug.

**IMPORTANT:** Do not remove side mulch plug at any time.

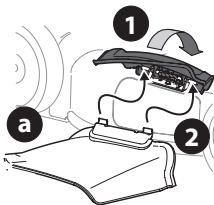


Figure 8

## Cutting Height Adjustments

This mower is equipped with one of three types of cutting height adjustment. Refer to Single Lever, Dual Lever or Rear Wheel/Caster Wheels in this section.

**Rear Wheel Drive Mowers** - The dual lever cutting height adjustment levers are located above the front and rear left wheels.

**NOTE:** On select mowers - The front and rear height adjustment levers move in the opposite direction to adjust height.

1. Carefully pull the height adjustment lever outward towards wheel (mower will tend to fall when lever is moved outward). Figure 9
2. Move lever to desired position for a change in cutting height.
3. Release lever towards deck.

**IMPORTANT:** All wheels must be placed in the same position. For rough or uneven lawns, move each height adjustment lever to a higher position. This will prevent you from cutting the grass too close to the ground.

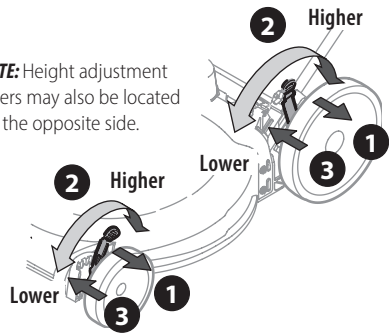


Figure 9

## ASSEMBLY, cont'd

### Handle Pitch (If Equipped)

For convenience of operation, you may adjust the pitch of the handle. Perform one of the following.

1. Remove wing nuts and carriage bolts from handle (Figure 10).
2. Position the handle in one of the three positions that is most comfortable. See Figure 10 inset.
3. Secure into position with wing nuts and carriage bolts removed in STEP 1.

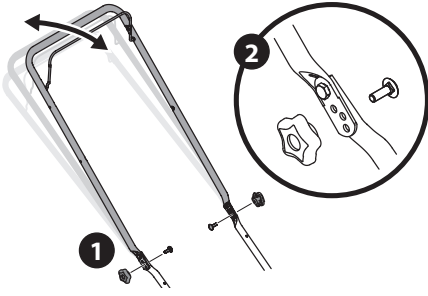


Figure 10

### Drive Control Adjustment

#### Single Lever and Dual Lever Drive Controls (If Equipped)

If equipped, there is an adjustment wheel located in the drive control handle housing that is used to tighten or loosen the drive belt. You will need to adjust the drive control if the mower does not propel itself with the drive control engaged or if the mower's wheels hesitate with the drive control engaged. If either of these conditions occur, rotate adjustment wheel clockwise to tighten cable or counterclockwise to loosen the cable. See Figure 11 for location on Single Lever Drive Control and Figure 12 for Dual Lever Drive Control.

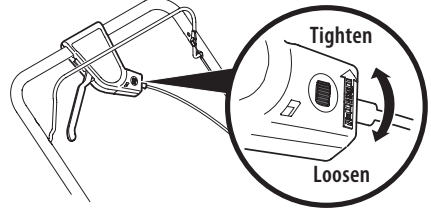


Figure 11

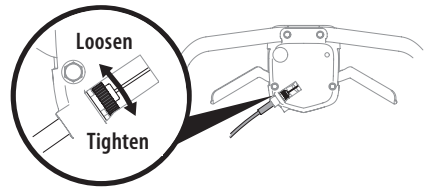


Figure 12

## CONTROLS & OPERATION

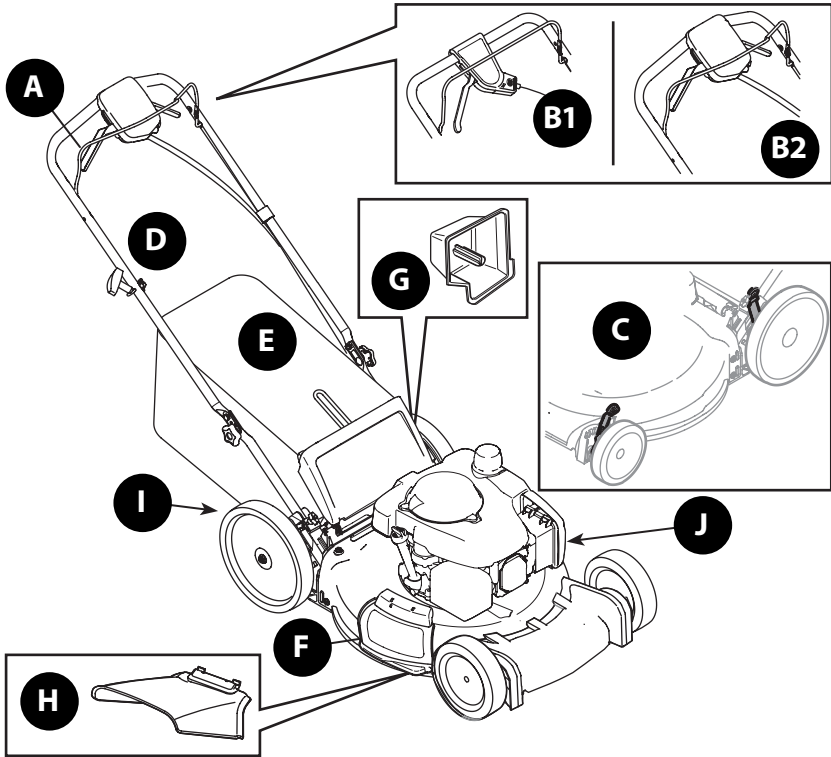


Figure 13

### Features

#### A. BLADE CONTROL

The blade control is attached to the upper handle of the mower. Depress and squeeze it against the upper handle to operate the mower. Release the blade control to stop blade and engine.



**WARNING:** *This blade control is a safety device. Never attempt to bypass its operation.*

#### B. DRIVE CONTROL

There are four drive control configurations.

- 1. Single Lever Drive Control (If Equipped)** - The single lever drive control is located on top of the upper handle and is used to engage the drive. Squeeze it against the upper handle to engage the drive; release it to slow down or stop mower.
- 2. Dual Lever Drive Controls (If Equipped)** - The dual lever drive controls are located on top of the upper handle and are used to engage the drive. Squeeze the right, left, or both right and left controls against the upper handle to engage the drive; release it/them to slow down or stop mower.

#### C. CUTTING HEIGHT ADJUSTMENT LEVER

The dual lever cutting height adjustment levers are located above the front and rear wheels. To adjust the cutting height, refer to Cutting Height Adjustment on page 11.

#### D. RECOIL STARTER

The recoil starter is attached to the right upper handle. Stand behind the mower and pull the recoil starter rope to start the mower.

#### E. GRASS CATCHER (IF EQUIPPED)

The grass catcher, located at the rear of the mower, is used to collect the grass clippings for disposal. Once the bag is full, remove it up through the handles and empty it before any further mowing.

#### F. MULCH PLUG (IF EQUIPPED)

The mulch plug is located on the right side of the mower and is used for mulching purposes (recirculating the clippings back to the lawn).

## CONTROLS & OPERATION, cont'd

### G. REAR MULCH PLUG (IF EQUIPPED)

On select mowers, the mulch plug is a separate component. If equipped, this mulch plug must be installed into the rear bagging discharge area when using the mower as a mulcher (recirculating the clippings back to the lawn) or side discharge.

### H. SIDE DISCHARGE CHUTE (IF EQUIPPED)

The side discharge chute is used to discharge grass clippings to the side of the mower instead of collecting the clippings in the grass catcher or using the mower as a mulcher.



**WARNING:** *Keep hands and feet away from the chute area on cutting deck. Refer to warning label on the unit.*

### I. TRAIL SHIELD

The trail shield is attached to the rear of the mower and is there to protect the operator from flying debris. Do not use the mower unless the shield is fully functional and in place.

### J. DECK WASH (IF EQUIPPED)

Your mower's deck may be equipped with a fast attach deck wash nozzle on its surface as part of its deck wash system. Use the deck wash to rinse grass clippings from the deck's underside.

## Gasoline And Oil Fill-up

**IMPORTANT:** Refer to the separate Engine Operator's Manual for additional engine information.

This mower is shipped without gasoline (fuel) or oil in the engine. Be certain to service engine with gasoline and oil as instructed before starting or operating your lawn mower.

1. Add provided oil before starting mower for the first time as instructed in the separate Engine Operator's Manual.
2. Service the engine with gasoline as instructed in the separate Engine Operator's Manual.



**WARNING:** *Use extreme care when handling gasoline. Gasoline is extremely flammable and the vapors are explosive. Never fuel the machine indoors or while the engine is hot or running. Extinguish cigarettes, cigars, pipes and other sources of ignition.*

## To Start Engine



**WARNING:** *Be sure no one other than the operator is standing near the lawn mower while starting engine or operating mower. Never run engine indoors or in enclosed, poorly ventilated areas. Engine exhaust contains carbon monoxide, an odorless and deadly gas. Keep hands, feet, hair and loose clothing away from any moving parts on engine and lawn mower.*

Refer to the Engine Operator's Manual for instructions on starting and stopping the engine.

## To Stop Engine

Release blade control to stop the engine and blade.

**NOTE:** If equipped with an electric starter push key, remove the key when the mower is unattended to prevent unauthorized operation.



**WARNING:** *Wait for the blade to stop completely before performing any work on the mower or to remove the grass catcher.*

**Check blade stopping time is within 3 seconds. If blade does not stop within 3 seconds contact your Service Center.**

## Using Your Lawn Mower



**WARNING:** *The operation of any lawn mower can result in foreign objects being thrown into the eyes, which can damage your eyes severely. Always wear safety glasses while operating the mower, or while performing any adjustments or repairs.*

Be sure lawn is clear of stones, sticks, wire, or other objects which could damage lawn mower or engine. Such objects could be thrown by the blade in any direction and cause serious personal injury to the operator and helpers.

## CONTROLS & OPERATION, cont'd

### Single Lever Drive Control (If Equipped)

1. Once the engine is running, squeeze the single lever drive control against the upper handle to propel mower.
2. Release the single lever drive control to slow down or stop mower from propelling.

### Dual Lever Drive Controls (If Equipped)

1. Once the engine is running and while continuing to hold the blade control down, squeeze either (or both) drive controls against the upper handle to propel mower (Figure 14).

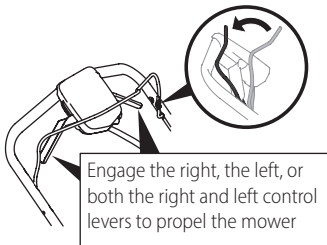


Figure 14

2. Release the dual lever drive controls to slow down or stop mower.
3. Speed Control (if equipped) - To change speed, move speed control to the desired speed.

**NOTE:** When selecting a drive speed, use the first speed until you are comfortable and familiar with the operation of the mower.

**IMPORTANT:** If you are shifting speeds while the mower is stationary it may be difficult to shift into first speed under certain conditions. This is easily remedied by briefly engaging the drive lever.

**NOTE:** Your mower is equipped with an advanced internal drive system for ease of use and smooth shifting. When turning or pulling the unit rearward, you may notice higher than normal resistance in the rear wheels under certain conditions. This is perfectly normal and can be remedied by allowing the unit to roll forward slightly without the drive lever(s) engaged before pulling backwards.

### Using Side Discharge Chute (If Equipped)

To use the mower without mulching or collecting grass, remove the grass catcher and ensure the rear mulch plug (if equipped) is installed. Allow the rear discharge door to close the rear opening of mower. Refer to Attaching The Side Discharge Chute in on page 11.

### Using Mower as a Mulcher (If Equipped)

For mulching grass, remove the grass catcher or side discharge chute from the mower. When you remove the grass catcher from the mower, ensure the rear mulch plug (if equipped) is installed and allow the rear discharge door to close the rear opening of mower. When you remove the side discharge chute, the mulching plug will close. For effective mulching, do not cut wet grass. If the grass has been allowed to grow in excess of four inches, mulching is not recommended. Use the grass catcher to collect clippings instead.

### Using Mower with Grass Catcher (If Equipped)

You can use the grass catcher to collect clippings while you are operating the mower.

1. Attach grass catcher, refer to Attaching the Grass Catcher on page 10. Grass clippings will automatically collect in bag. Operate mower until grass bag is full.
2. Stop engine by releasing the blade control. Make sure that the engine has come to a complete stop.
3. Lift rear discharge door and pull grass bag up and away from the mower to remove the bag. Dispose of the grass clippings and reinstall the bag when complete.

**WARNING:** If you strike a foreign object, stop the engine. Disconnect the spark plug wire, thoroughly inspect mower for any damage, and repair damage before restarting and operating. Extensive vibration of mower during operation is an indication of damage. The mower should be promptly inspected and repaired.

**WARNING:** Before performing any type of maintenance/service, disengage all controls and stop the engine. Wait until all moving parts have come to a complete stop. Allow the engine to cool. Disconnect spark plug wire and ground it against the engine to prevent unintended starting.

## PRODUCT CARE

### General Recommendations

- Always observe safety rules on the mower and in the manual(s) when performing any maintenance.
- The warranty on this mower does not cover items that have been subjected to operator abuse or negligence. To receive full value from warranty, operator must maintain the mower as instructed here.
- Changing of engine-governed speed will void engine warranty.
- Check that all hardware is in place & secure and tight before each use and before off season storage.

### Lubrication

#### Blade Control

Lubricate pivot points on the blade control at least once a season and before storage with light oil. This control must operate freely in both directions (Figure 15).

#### Wheels

Lubricate all wheel hubs/axles at least once a season and before storage with light oil (Figure 15).

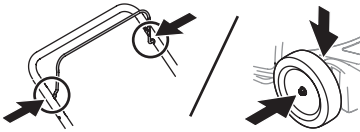


Figure 15

### Engine Maintenance

Annually check the engine mounting bolts torque: Min. 29.2 ft-lbs (39.6 N-m), Max. 41.7 ft-lbs (56.3 N-m).

Refer to the Engine Operator's Manual packed with your mower for a detailed description of all engine-related service specifications and storage.

If engine fails to start, runs erratic, overheats, skips (hesitates) or idles poorly refer to the Engine Operator's Manual.

**IMPORTANT:** Check engine oil level before each use. Refer to Engine Operator's Manual.

#### Clean Engine

- Before every use, clean grass, chaff or accumulated debris from engine. Keep linkage, spring, and controls clean. Keep area around and behind muffler free of any combustible debris.
- Keeping engine clean allows air movement around engine.
- Engine parts should be kept clean to reduce the risk of overheating and ignition of accumulated debris.

**CAUTION:** Do not use water to clean engine parts. Water could contaminate fuel system. Use a brush or dry cloth.

### Mower Maintenance

#### Deck Cleaning

At least once a season and before storage, clean the underside of the mower deck to prevent build-up of grass clippings or other debris.

1. Allow the engine to run until it is out of fuel. Do not attempt to pour fuel from the engine. Disconnect spark plug wire. Refer to Engine Operator's Manual.
2. Turn mower on its side keeping the muffler side down and making sure that the air filter and the carburetor are facing up. Hold mower firmly.
3. Scrape and clean the underside of the deck with a suitable tool. Do not spray with water.

**IMPORTANT:** Do not use a pressure washer or garden hose to clean your mower. These may cause damage to bearings, or the engine. The use of water will result in shortened life and reduce serviceability.

4. Put the mower back on its wheels on the ground.

#### Blade Care

**WARNING:** Wait for the blade to stop completely before performing any work on the mower or to remove the grass catcher.

Check blade stopping time is within 3 seconds. If blade does not stop within 3 seconds contact your Service Center.

**WARNING:** When removing the cutting blade for sharpening or replacement, protect your hands with a pair of heavy gloves or use a heavy rag to hold the blade.

Annually check the mower blade mounting bolt torque: Min. 37.5 ft-lbs (50.8 N-m), Max. 50.0 ft-lbs (67.8 N-m).

Periodically inspect the blade and blade adapter for bends or cracks, especially if you strike a foreign object or experience excessive vibration. Replace when necessary. Follow the steps below for blade service:

1. Allow the engine to run until it is out of fuel. Do not attempt to pour fuel from the engine.
2. Disconnect spark plug wire. Refer to Engine Operator's Manual.



## PRODUCT CARE, cont'd

3. Turn mower on its side keeping the muffler side down and making sure that the air filter and the carburetor are facing up.
4. Remove bolt (a) and blade bell support (b) which hold the blade and the blade adapter to the engine crankshaft (Figure 16).
5. Remove blade (c) and blade adapter (d) from the crankshaft (Figure 16).
6. Remove blade from the blade adapter for testing balance.
  - a. Balance the blade on a round shaft screwdriver to check.
  - b. Remove metal from the heavy side until it balances evenly.

**NOTE:** When sharpening the blade, follow the original angle of grind. Grind each cutting edge equally to keep the blade balanced.

**!** **WARNING: An unbalanced blade will cause excessive vibration when rotating at high speeds. It may cause damage to engine and blade could break causing personal injury.**

7. Lubricate the engine crankshaft and the inner surface of the blade adapter with light oil (Figure 16 inset).
  - a. Slide the blade adapter (d) onto the engine crankshaft.
  - b. Place the blade on the adapter such that the side of the blade marked "Grass Side" (or with part number) faces the ground when the mower is in the operating position.
  - c. Make sure that the blade is aligned and seated on the blade adapter flanges.

8. Place blade bell support (b) on the blade (c). Align notches on the blade bell support with small holes in blade.
9. Replace hex bolt (a) and tighten hex bolt to torque: Min. 37.5 ft-lbs (50.8 N-m), Max. 50.0 ft-lbs (67.8 N-m).

**NOTE:** To ensure safe operation of your mower, periodically check the blade bolt for correct torque.

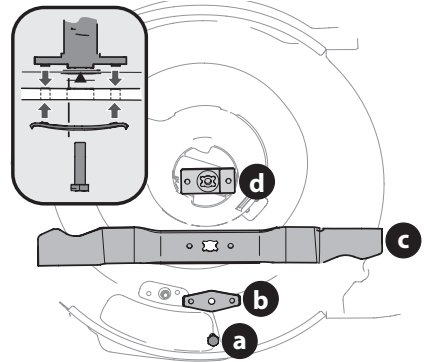


Figure 16

## Belt Care

A damaged or worn belt may prevent the mower from self-propelling. Periodically inspect the belt and pulley system for damage or wear. If necessary contact an authorized Service Center to have belt replaced.

**NOTE:** Several components must be removed in order to change the mower's drive belt. See an authorized Service Center to have belt replaced.

## PRODUCT CARE, cont'd

### Customer Support



For machines needing service or parts replacement please contact your local DEWALT® Service Center or the Customer Support Department before attempting to return the machine.

If you have difficulty assembling this product, have questions regarding the controls, operation, or maintenance of this machine, want to order replacement parts/attachments/accessories, or want to view an online How-To video; you can seek help from the experts. Have your full model number and serial number ready. Choose from the options below:

◇ **Web:** [www.DeWALT.com](http://www.DeWALT.com)

◇ **Phone:** (855) 971-1123

### Replacement Parts

Part Number	Description
634-07619	Wheel (Front - 8" x 2")
634-07731	Wheel (Rear - 8" x 2")
634-07634	Wheel (Rear - 11" x 2")
942-0741A	Mulching Blade (Bow Tie Mount  )
742P05643	Mulch Blade (S Mount  , Serial numbers starting with the number 2 only.)
731-07486	Discharge Chute
664-05794	Grass Bag (Bag Only)
954-04282	Belt (RWD)

### Accessories Parts

Part Number	Description
490-850-0005	Blade Removal Tool
490-850-0018	Spark Plug Wrench
490-850-0008	Oil Siphon
490-850-0016	Side Discharge Blower
490-290-0012	Mower Cover

## DEWALT® -- LIMITED WARRANTY

### Three Year Limited Warranty

For warranty terms, go to [www.dewalt.com/support/warranty](http://www.dewalt.com/support/warranty).

To request a written copy of the warranty terms, contact: Customer Service at DEWALT Industrial Tool Co., 701 East Joppa Road, Towson, MD 21286 or call 1 800 4 DEWALT (1 800 433 9258).

Latin America: This warranty does not apply to products sold in Latin America. For products sold in Latin America, see country specific warranty information contained in the packaging, call the local company or see website for warranty information.

free warning label replacement: If your warning labels become illegible or are missing, call 1 800 4 DEWALT (1 800 433 9258) for a free replacement.

---

Inglés ( <i>traducido de las instrucciones originales</i> )	3
Español	19

---

## Definiciones: Símbolos y Palabras de Alerta de Seguridad

Este manual de instrucciones utiliza los siguientes símbolos y palabras de alerta de seguridad para alertarle de situaciones peligrosas y del riesgo de lesiones corporales o daños materiales.



**PELIGRO:** Indica una situación de peligro inminente que, si no se evita, provocará la muerte o lesiones graves.



**ADVERTENCIA:** Indica una situación de peligro potencial que, si no se evita, podría provocar la muerte o lesiones graves.

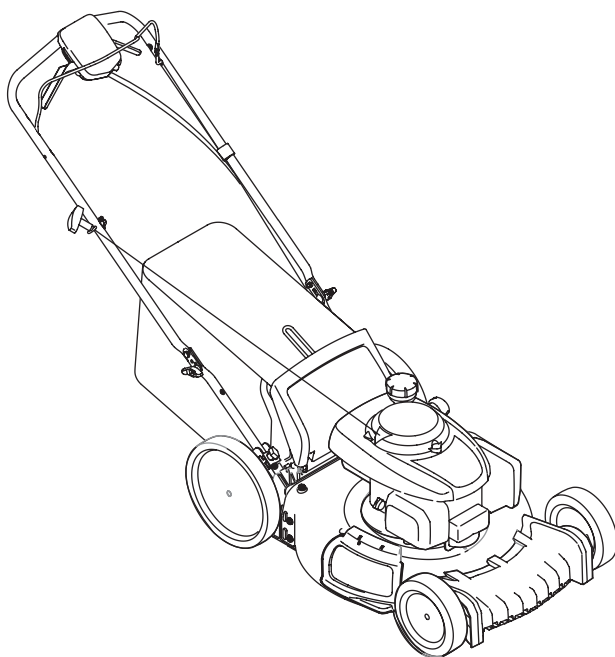


**ATENCIÓN:** Indica una situación de peligro potencial que, si no se evita, posiblemente rovocaría lesiones leves o moderadas.



(Utilizado sin palabras) indica un mensaje de seguridad relacionado.

**AVISO:** Se refiere a una práctica no relacionada a lesiones corporales que de no evitarse puede resultar en daños a la propiedad.



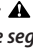
**ADVERTENCIA:** Lea todas las advertencias de seguridad, instrucciones, ilustraciones y especificaciones incluidas con esta herramienta eléctrica.

**NOTA:** Este Manual del Operador corresponde a varios modelos. Las características pueden variar según los modelos. No todas las características que se incluyen en este manual se aplican a todos los modelos y el modelo que se ilustra aquí puede diferir del suyo.

If you have any questions or comments about this or any DeWALT tool, call us toll free at: 1-855-971-1123.

# PRÁCTICAS DE OPERACIÓN SEGURAS



**ADVERTENCIA :**  Este símbolo indica instrucciones de seguridad importantes que, de no seguirse, pueden poner en peligro su seguridad personal y/o material y la de otras personas. Lea y cumpla todas las instrucciones de este manual antes de intentar hacer funcionar esta máquina. Si no sigue estas instrucciones, se pueden provocar lesiones personales. Cuando vea este símbolo, ¡PRESTE ATENCIÓN A LA ADVERTENCIA!



**PELIGRO:** Esta máquina está diseñada para ser utilizada respetando las prácticas de operación seguras contenidas en este manual. Al igual que con cualquier tipo de equipo motorizado, un descuido o error por parte del operador puede producir lesiones graves. Esta máquina es capaz de amputar dedos, manos y pies y de arrojar residuos. De no respetar las instrucciones de seguridad siguientes, se pueden ocasionar lesiones graves o la muerte.

## INFORMACIÓN GENERAL

1. Lea, entienda y cumpla todas las instrucciones que figuran sobre la cortadora de césped y en los manuales antes de intentar armar la unidad y utilizarla. Guarde este manual en un lugar seguro para consultas futuras y periódicas, así como para solicitar repuestos.
2. Familiarícese con todos los controles y con el uso adecuado de los mismos.
3. No permita nunca que los niños menores de 14 años utilicen esta cortadora de césped. Los niños de 14 años en adelante deben leer y entender las instrucciones y prácticas de operación seguras contenidas en este manual y sobre la cortadora de césped, y deben ser entrenados y supervisados por un adulto.
4. Nunca permita que los adultos operen esta cortadora de césped sin recibir antes la instrucción apropiada.
5. Almacene la cortadora en una zona limpia y seca. No la almacene cerca de productos corrosivos, como por ejemplo fertilizantes.
6. Si se presentan situaciones que no están previstas en este manual, sea cuidadoso y use el sentido común. Póngase en contacto con su representante de atención al cliente para obtener ayuda.
7. De conformidad con la Comisión de Seguridad de Productos para el Consumidor de los Estados Unidos (CPSC) y la Agencia de Protección Ambiental de los Estados Unidos (EPA), este producto tiene una vida útil estimada de siete (7) años, en condiciones normales de uso. Al final de su vida útil, se deberá solicitar una inspección del producto anualmente a fin de asegurarse de que todos los sistemas mecánicos y de seguridad funcionen adecuadamente, de manera segura y no estén excesivamente desgastados. Si no lo hace, puede ocasionar accidentes, lesiones o la muerte.

## PREPARATIVOS ANTERIORES AL USO

1. Revise minuciosamente el área donde se va a usar la cortadora de césped. Saque todas las piedras, palos, cables, huesos, juguetes y otros objetos extraños con los que podría tropezar o que podrían ser arrojados por la cuchilla. Los objetos arrojados por la máquina pueden producir lesiones personales graves.
2. Para evitar lesiones por contacto con la cuchilla o un objeto arrojado, permanezca en la zona del operador detrás de las manijas de la cortadora. Indique a los asistentes que permanezcan al menos a 75 pies (23 metros) de la cortadora mientras está en funcionamiento. Mantenga a observadores, niños y mascotas en interiores durante el funcionamiento de la cortadora de césped. Detenga la cortadora de césped si alguien entra en la zona.
3. Esté atento a la cortadora de césped y a la dirección de descarga de los aditamentos y no apunte la descarga de la cortadora en dirección a nadie.
4. Para protegerse los ojos, utilice siempre gafas o anteojos de seguridad mientras opera la máquina y mientras la ajusta o repara. Los objetos arrojados que rebotan pueden producir lesiones graves en los ojos.
5. Utilice zapatos de trabajo resistentes, de suela fuerte, y pantalones y camisas ajustados. Las ropas sueltas, las alhajas y el cabello largo pueden engancharse en las piezas móviles. Se recomienda vestir camisas y pantalones que cubren brazos y piernas y usar zapatos con puntera de acero.
6. Nunca opere la cortadora descalzo, con sandalias, zapatos resbalosos o livianos (por ej. de lona).
7. Nunca llene en exceso el depósito de combustible. Llene el depósito no más de 1" (2.5 cm) por debajo de la base del cuello de llenado dejando espacio para la expansión del combustible.
8. Vuelva a colocar la tapa de la gasolina y ajústela bien.
9. Use sólo implementos y accesorios que el fabricante haya aprobado para esta cortadora de césped. Lea, comprenda y siga todas las instrucciones incluidas con el accesorio o implemento aprobado.

## FUNCIONAMIENTO

1. Las estadísticas indican que los operadores mayores de 65 años se ven involucrados en un alto porcentaje de lesiones relacionadas con cortadoras de césped. Estas personas deben evaluar su capacidad para operar la cortadora de césped de manera suficientemente segura para protegerse a sí mismos y a otros de lesiones graves.
2. Muchas lesiones ocurren como resultado de pasar la cortadora sobre los pies durante una caída provocada al patinarse o tropezarse. No se sostenga de la cortadora si se está cayendo, suelte la manija inmediatamente.
3. Nunca tire la cortadora hacia usted mientras camina. Si debe retroceder con la cortadora para evitar una pared u obstáculo, mire primero abajo y atrás para evitar tropezarse y luego siga estos pasos:
  - a. Apártese de la cortadora hasta estirar completamente sus brazos.
  - b. Asegúrese de estar en equilibrio y bien parado.
  - c. Tire de la cortadora lentamente hacia usted, no más allá de la mitad de la distancia que los separa.
  - d. Repita estos pasos según sea necesario.

## PRÁCTICAS DE OPERACIÓN SEGURAS (continuación)

- No engrane el control de la transmisión (si se incluye) mientras enciende el motor.
- El control de la cuchilla es un dispositivo de seguridad. Nunca intente anular su funcionamiento. De hacerlo, el dispositivo de seguridad quedaría inoperativo y podrían producirse lesiones personales por el contacto con la cuchilla giratoria. El control de la cuchilla debe funcionar bien en ambas direcciones y regresar automáticamente a la posición desengranada cuando se lo suelta. La cuchilla continúa rotando por hasta tres segundos después de que se suelta el control de las cuchillas. Nunca coloque ninguna parte del cuerpo en el área de la cuchilla hasta que esté seguro que la cuchilla ha dejado de girar.
- Si la cortadora de césped comienza a vibrar de forma extraña, detenga el motor y busque inmediatamente la causa. La vibración generalmente advierte que hay algún problema.
- Nunca opere la cortadora sin estar en su lugar y funcionando el escudo apropiado, la cubierta de descarga, el colector de césped, el control de la cuchilla u otros dispositivos de seguridad y protección. Nunca opere la cortadora si los dispositivos de seguridad están dañados. De lo contrario podrían producirse lesiones personales.
- Cuando encienda el motor, jale de la cuerda lentamente hasta que sienta resistencia, luego jale rápidamente. El repliegue rápido de la cuerda de arranque (retroceso o rebote) le jalará la mano y el brazo hacia el motor más rápido de lo que usted tarda en soltarla. Puede llegar a causar huesos rotos, fracturas, hematomas y esguinces.
- No ponga las manos ni los pies cerca de las piezas rotatorias ni debajo de la plataforma de corte. El contacto con la(s) cuchilla(s) puede amputar manos y pies.
- Esté atento a los hoyos, surcos, baches, rocas, u otros objetos ocultos. Los terrenos desnivelados u objetos ocultos pueden causar derrapes y/o caídas. El césped alto puede ocultar obstáculos.
- La cortadora está diseñada para cortar césped residencial normal, con una altura no mayor a 7" (17.5 cm). No intente cortar césped demasiado crecido, seco (como un pastizal) ni pilas de hojas secas.
- Planifique el patrón de corte para evitar que la descarga de material se realice hacia caminos, veredas, asistentes, etc. Evite descargar material contra una pared u obstrucción, ya que esto podría hacer que el material descargado rebote contra el operador.
- Apague el motor y espere hasta que la cuchilla se detenga completamente antes de retirar el colector de césped o de destapar la tolva. La cuchilla de corte sigue girando por hasta tres segundos después de soltar el control de la cuchilla. Nunca coloque ninguna parte del cuerpo en el área de la cuchilla hasta que esté seguro de que el motor está apagado y la cuchilla ha dejado de girar.
- Una puerta de descarga, tolva o adaptador para abono faltante o dañado puede provocar lesiones por contacto con la cuchilla o por objetos arrojados.
- Nunca opere la cortadora de césped si no están bien colocados la puerta de descarga, la tolva, el adaptador para abono o el colector de césped completo.
- Detenga la cuchilla de la cortadora de césped cuando cruce caminos o senderos de gravilla y cuando no esté cortando el césped.
- Corte el césped solamente con luz de día o con una buena luz artificial.
- No opere la cortadora de césped estando bajo los efectos del alcohol o de drogas.
- El silenciador y el motor están a temperatura muy alta y pueden provocar lesiones graves por quemaduras. No los toque. Deje que se enfríe la cortadora de césped al menos durante cinco minutos antes de almacenarla o intentar cualquier tarea de mantenimiento.
- Nunca encienda un motor en interiores o en espacios cerrados o con poca ventilación. El escape del motor contiene monóxido de carbono, un gas inodoro y letal.

### NIÑOS

- Si el operador no está atento a la presencia de niños, se pueden producir accidentes trágicos. Por lo general a los niños les atraen las cortadoras y la actividad de cortar el césped. Los niños no son conscientes de los peligros. Nunca asuma que los niños permanecerán donde los vio por última vez.
- Mientras la cortadora está en funcionamiento, mantenga a observadores, niños y mascotas en interiores bajo la atenta supervisión de un adulto responsable que no sea el operador. Detenga la cortadora de césped si alguien entra en la zona.
- Esté alerta y apague la cortadora si un niño u observador ingresa al área.
- No permita nunca que los niños menores de 14 años utilicen esta cortadora de césped. Los niños de 14 años en adelante deben leer y entender las instrucciones y prácticas de operación seguras contenidas en este manual y sobre la cortadora de césped, y deben ser entrenados y supervisados por un adulto.
- Esta cortadora de césped es un equipo motorizado de precisión, no un juguete. Por lo tanto, tenga mucho cuidado en todo momento. Esta cortadora de césped fue diseñada para realizar una sola tarea: cortar el césped. No la utilice para ningún otro fin.
- Tenga mucho cuidado al aproximarse a esquinas ciegas, puertas, arbustos, árboles u otros objetos que puedan obstaculizarle la vista de un niño que pudiese correr al encuentro de la cortadora.
- Mantenga a los niños alejados de motores en marcha o calientes. Pueden sufrir quemaduras al tocar un motor o silenciador caliente.
- Si su cortadora de césped viene equipada con una Llave Pulsadora de Encendido Eléctrico, quite la llave cuando deje sola la cortadora para evitar que una persona sin autorización la maneje. Asegúrese de que la llave quede fuera del alcance de niños pequeños.

### FUNCIONAMIENTO EN PENDIENTES PARA CORTADORAS DE EMPUJE

- Las pendientes son un factor importante en los accidentes ocasionados por derrapes y caídas y pueden producir lesiones graves o incluso la muerte. Todas las pendientes requieren precaución extra. Si no se siente seguro en una pendiente, no corte el césped.

## PRÁCTICAS DE OPERACIÓN SEGURAS (continuación)

- Para su seguridad, antes de usar la cortadora de césped mida cualquier pendiente que haya. Use un dispositivo de medición de pendientes además del indicador de pendiente que se incluye como parte de este manual para medir las pendientes antes de operar esta cortadora de césped en una zona inclinada o con pendientes. Para medir las pendientes, también se pueden usar aplicaciones de teléfonos inteligentes. Si la pendiente es de más de 15° (25%) medida por el indicador de pendiente o un dispositivo de medición de pendientes, no haga funcionar esta cortadora de césped en ese sector pues podría causar lesiones graves.
- No corte el césped en pendientes de más de 15 grados (25%).
- Siempre corte el césped de forma transversal a la pendiente, nunca hacia arriba y hacia abajo.
- La cortadora de césped podría acelerarse al colocarla cuesta abajo, siempre debe colocarla cuesta arriba. Mantenga siempre el control de la cortadora de césped.
- No corte el césped húmedo. Si no está firmemente parado, podría resbalar.
- No opere la cortadora de césped en ninguna condición en la que se comprometan la tracción o estabilidad. Asegúrese siempre de estar bien afirmado. Si resbala y cae puede lesionarse gravemente. Si siente que pierde el equilibrio o deja de estar bien afirmado, suelte inmediatamente la manija de control de la cuchilla y la cuchilla dejará de girar en tres (3) segundos.
- Manténgase a por lo menos 3 pies (1 metro) de barrancos, zanjas o terraplenes o del borde del agua. Podría perder el equilibrio o dejar de estar bien afirmado.
- Para reducir el riesgo de incendio mantenga la cortadora limpia de pasto, hojas y de acumulación de otros escombros. Siga el "Programa de Mantenimiento" que figura en la sección Servicio y Mantenimiento para mantener su cortadora de césped libre de residuos.
- Nunca llene en exceso el depósito de combustible. Llene el depósito no más de 1" (25 mm) por debajo de la base del cuello de llenado, para dejar espacio para la expansión del combustible.
- Vuelva a colocar la tapa de la gasolina y ajústela bien.
- Deje que la cortadora de césped se enfríe por lo menos cinco minutos antes de cargarle combustible o guardarla.
- Nunca llene los recipientes en el interior de un vehículo o camión o caja de remolque con recubrimientos plásticos. Siempre ubique los recipientes en el piso, lejos del vehículo antes de llenarlos.
- Cuando sea factible, retire el equipo a gasolina del camión o remolque y apóyelo en el suelo para llenarlo. Si esto no es posible, recargue combustible sobre el remolque con un recipiente portátil, en lugar de una boquilla dosificadora de gasolina.
- Mantenga la boquilla dispensadora en contacto con el borde del depósito de combustible o con la boca del recipiente en todo momento, hasta terminar de cargar. No utilice un dispositivo de bloqueo/apertura de boquilla.

## SERVICIO Y MANTENIMIENTO

### INCENDIOS Y COMBUSTIBLE

- Sea sumamente cuidadoso al manipular gasolina para evitar lesiones personales y daños materiales. La gasolina es sumamente inflamable y sus vapores son explosivos. Si se derrama gasolina encima o sobre la ropa se puede lesionar gravemente ya que se podría prender fuego. Lávese la piel y cámbiese de ropa de inmediato.
- Apague todos los cigarrillos, cigarras, pipas y otras fuentes de encendido.
- Use sólo un recipiente de combustible (gasolina) portátil aprobado. Use sólo recipientes certificados por EPA, CARB y/u OSHA.
- Nunca saque la tapa del combustible ni agregue combustible mientras el motor está caliente o en marcha. Deje que el motor se enfríe por lo menos cinco minutos antes de volver a cargar combustible.
- Nunca cargue combustible a la cortadora de césped en interiores.
- Nunca guarde la cortadora de césped o el recipiente de combustible en un espacio cerrado donde haya una llama abierta, chispas o luz piloto, como por ejemplo de calentadores de agua, calefactores de ambientes, hornos, secadores de ropa u otros aparatos a gas.
- Limpie el combustible que se pueda haber derramado sobre el motor y la cortadora de césped. Limpie los derrames de combustible o aceite y elimine los residuos empapados con gasolina. Traslade la cortadora de césped a otra zona. Espere al menos 5 minutos antes de arrancar el motor.
- Mantenga la cortadora de césped en buenas condiciones de funcionamiento. Reemplace las piezas dañadas o gastadas.
- Para evitar lesiones graves o la muerte, no modifique el motor de ninguna manera. Si cambia la configuración del regulador, el motor podría funcionar a velocidades inseguras. Nunca modifique el ajuste de fábrica del regulador del motor. No cambie la configuración del regulador del motor ni acelere demasiado el motor. El regulador del motor controla la velocidad máxima segura de funcionamiento del motor.
- Las cuchillas de las cortadoras de césped son filosas. Envuelva la cuchilla o utilice guantes y extreme las precauciones cuando les haga mantenimiento.
- Antes de limpiar, reparar o inspeccionar la máquina, compruebe que la cuchilla y todas las partes móviles se hayan detenido. Desconecte el cable de la bujía y póngalo de manera que haga masa contra el motor para evitar que se encienda accidentalmente.
- Verifique que la cuchilla se haya detenido por completo dentro de los tres (3) segundos de operar el control de la cuchilla. Si la cuchilla no se detiene en menos de tres segundos, su cortadora de césped debe ser revisada por profesionales de un distribuidor de servicio autorizado. Consulte el funcionamiento correcto en la sección Servicio y Mantenimiento.
- Controle periódicamente el funcionamiento del sistema de enclavamiento de seguridad, tal como se describe más adelante en este manual. Si el sistema de enclavamiento de seguridad no funciona correctamente, lleve su cortadora de césped a hacerle un servicio profesional de un distribuidor autorizado.
- Nunca altere el enclavamiento de seguridad del control de la cuchilla u otros dispositivos de seguridad. Consulte el funcionamiento correcto en la sección Servicio y Mantenimiento.

## PRÁCTICAS DE OPERACIÓN SEGURAS (continuación)

- Controle el par de ajuste del perno de montaje del motor y cuchilla de la cortadora de césped de acuerdo con la sección Servicio y Mantenimiento de este manual. Además, inspeccione visualmente la cuchilla en busca de daños (por ejemplo, desgaste excesivo, abolladuras, rajaduras). Reemplace la cuchilla únicamente por la cuchilla del fabricante del equipo original (O.E.M.)
- El uso de piezas que no cumplen con las especificaciones del equipo original puede resultar en un rendimiento inadecuado y poner en peligro la seguridad.
- Mantenga todas las tuercas, pernos y tornillos bien ajustados para asegurarse de que la máquina se en
- uentra en condiciones de funcionamiento seguras. Controle el ajuste de todos los elementos de ferretería de acuerdo con la sección Servicio y Mantenimiento.
- Después de golpear contra algún objeto extraño, detenga el motor, desconecte el(los) cable(s) de bujía y conecte el motor a masa. Inspeccione minuciosamente la cortadora de césped para determinar si está dañada. Repare el daño antes de volver a arrancar y operar la máquina.
- Nunca intente ajustar una rueda o la altura de corte ni efectuar reparaciones mientras el motor está en marcha.
- Los componentes del colector de césped y la cubierta de descarga están sujetos a desgaste y daños que podrían dejar expuestas piezas que se mueven o permitir que se arrojen objetos. Para proteger su seguridad, verifique frecuentemente los componentes y reemplácelos inmediatamente por piezas del fabricante del equipo original (O.E.M.) únicamente. "El uso de piezas que no cumplen con las especificaciones del equipo original podría producir un rendimiento inadecuado y además puede comprometer la seguridad".
- Mantenga o reemplace las etiquetas de seguridad e instrucciones según sea necesario.
- Respete las leyes y reglamentaciones referentes a la eliminación correcta de combustible, aceite, etc. para proteger el medio ambiente.

### AVISO SOBRE EMISIONES

Los motores tienen la certificación de cumplimiento de las reglamentaciones sobre emisiones federales de EPA y California para SORE (equipo pequeño para uso fuera de carreteras), funcionan con gasolina normal sin plomo y pueden incluir los siguientes sistemas de control de emisiones: Modificación de motor (EM) y catalizador de tres vías (TWC) si están equipados con esos sistemas.

Quando sea necesario, los modelos están equipados con líneas de combustible y depósitos de combustible de baja penetración para controlar las emisiones por evaporación. Los modelos de California también pueden incluir un filtro de carbono. Por favor, póngase en contacto con Atención al Cliente para obtener información sobre la configuración del control de emisiones por evaporación para su modelo.

## AMORTIGUADOR DE CHISPAS



**ADVERTENCIA:** Esta cortadora de césped está equipada con un motor de combustión interna y no debe ser utilizada en o cerca de un terreno agreste cubierto por bosque, malezas o hierba a manos que el sistema de escape del motor esté equipado con un amortiguador de chispas que cumpla con las leyes locales o estatales correspondientes (en caso de existir).

Si se utiliza un amortiguador de chispas, el operador lo debe mantener en condiciones de uso adecuadas. En el Estado de California, las medidas anteriormente mencionadas son exigidas por ley (Artículo 4442 del Código de Recursos Públicos de California). Es posible que existan leyes similares en otros estados. Las leyes federales se aplican en territorios federales.

Puede conseguir el amortiguador de chispas para el silenciador a través de su distribuidor autorizado de motores más cercano o poniéndose en contacto con el departamento de servicios, P.O. Box 361131 Cleveland, Ohio 44136-0019.

### Indicador de pendiente (cubierta posterior)



**ADVERTENCIA:** Las pendientes son un factor importante en los accidentes ocasionados por derrapes y caídas y pueden producir lesiones graves. Todas las pendientes requieren precaución extra. Si no se siente seguro en una pendiente, no corte el césped. No corte el césped en pendientes de más de 15 grados (25%). Siempre corte el césped de forma transversal a la pendiente, nunca hacia arriba y hacia abajo.

PARA DETERMINAR SI UNA PENDIENTE ES DEMASIADO EMPINADA Y EVITAR RIESGOS, USE EL INDICADOR DE PENDIENTE QUE APARECE EN LA CUBIERTA POSTERIOR COMO SE MUESTRA.

Para comprobar la pendiente, proceda de la siguiente manera:

- Abra el manual en la página y dóblela por la línea de puntos.
- Ubique un objeto vertical que esté sobre la pendiente o detrás de la misma (p. ej., un poste, un edificio, un cerco, un árbol, etc.)
- Alinee cualquiera de los lados del indicador de pendiente con el objeto.
- Ajuste el indicador hacia arriba o abajo hasta que la esquina izquierda toque la pendiente.
- Si hay una separación por debajo del indicador, significa que la pendiente es demasiado empinada para una operación segura.



# PRÁCTICAS DE OPERACIÓN SEGURAS (continuación)

En esta página, se presentan y describen los símbolos de seguridad que pueden aparecer en esta cortadora de césped. Lea, comprenda y siga todas las instrucciones que aparecen sobre la cortadora de césped antes de intentar armarla y hacerla funcionar.

Símbolo	Descripción
 <p><b>OPESymbol.com</b></p>	<p><b>ADVERTENCIA - LEA EL MANUAL DEL OPERADOR</b> - Lea, entienda y cumpla todas las reglas e instrucciones de seguridad que se incluyen en el manual y sobre la cortadora de césped antes de intentar utilizar esta cortadora. Si no cumple con lo que indica esta información, se pueden provocar lesiones personales o la muerte. Conserve este manual en un lugar seguro para usarlo como referencia futura habitual.</p>
	<p><b>PELIGRO - EVITE LESIONES DE AMPUTACIÓN</b> - No ponga las manos ni los pies cerca o debajo de la plataforma de corte. El contacto con las cuchillas puede producir la amputación de manos y pies.</p>
	<p><b>PELIGRO — EVITE LESIONES POR OBJETOS ARROJADOS</b> - Saque todas las piedras, palos, cables, huesos, juguetes y demás objetos extraños que puedan ser recogidos y arrojados por la(s) cuchilla(s). Permanezca en la zona del operador detrás de las manijas de la cortadora. Indique a los asistentes que permanezcan al menos a 75 pies (23 metros) de la cortadora mientras está en funcionamiento. Detenga la cortadora de césped si alguien entra en la zona.</p>
	<p><b>PELIGRO — AVOID CHILD BLADE CONTACT/THROWN OBJECT INJURY</b> - Para evitar lesiones por contacto con la cuchilla o un objeto arrojado, no corte el césped cuando haya niños u otras personas cerca. Mantenga a observadores, niños y mascotas en interiores durante el funcionamiento de la cortadora de césped. Permanezca en la zona del operador detrás de las manijas de la cortadora.</p>
	<p><b>PELIGRO - EVITE LESIONES POR OBJETOS ARROJADOS</b> - Nunca opere la cortadora de césped si no está bien colocada la cubierta de descarga o el colector de césped completo. Permanezca en la zona del operador detrás de las manijas de la cortadora.</p>
	<p><b>PELIGRO — CUCHILLAS GIRATORIAS</b> - Para reducir el riesgo de lesiones, mantenga alejados manos y pies. No haga funcionar sin que la tapa de descarga o el colector de césped se encuentren en el lugar que corresponde. Si están dañados, reemplácelos inmediatamente.</p>
	<p><b>PELIGRO - EVITE DERRAPES Y CAÍDAS EN PENDIENTES</b> - Las pendientes son un factor importante en los accidentes ocasionados por derrapes y caídas y pueden producir lesiones graves. Todas las pendientes requieren precaución extra. Si no se siente seguro en una pendiente, no corte el césped. No corte el césped en pendientes de más de 15 grados (25%). Siempre corte el césped de forma transversal a la pendiente, nunca hacia arriba y hacia abajo.</p>
	<p><b>PELIGRO - EVITE LESIONES OCULARES</b> - Para protegerse los ojos, utilice siempre gafas o anteojos de seguridad mientras opera la máquina y mientras la ajusta o repara. Los objetos arrojados que rebotan pueden producir lesiones graves en los ojos.</p>
	<p><b>PELIGRO - EVITE LESIONES POR TROIEZOS</b> - Nunca tire la cortadora hacia usted mientras camina. Si debe retroceder con la cortadora para evitar una pared u obstáculo, mire primero abajo y atrás para evitar tropezarse.</p>
	<p><b>ADVERTENCIA - LA GASOLINA ES INFLAMABLE</b> - Deje que el motor se enfríe por lo menos cinco minutos antes de volver a cargar combustible.</p>
	<p><b>ADVERTENCIA - LESIÓN POR QUEMADURAS</b> - El silenciador y el motor están a temperatura muy alta y pueden provocar lesiones graves por quemaduras. No los toque. Deje que se enfríe la cortadora de césped al menos durante cinco minutos antes de almacenarla o intentar cualquier tarea de mantenimiento.</p>



**ADVERTENCIA: Su Responsabilidad: Sólo permita que usen esta máquina eléctrica las personas que lean, comprendan y respeten las advertencias e instrucciones que aparecen en este manual y en la máquina - ¡GUARDE ESTAS INSTRUCCIONES!**

## MONTAJE

**IMPORTANTE:** Esta cortadora de césped se envía sin gasolina ni aceite en el motor. Antes de poner en marcha u operar su cortadora de césped, asegúrese de cargar el motor con gasolina y aceite como se indica en la sección Funcionamiento del manual del motor.

**NOTA:** Las referencias a los lados derecho e izquierdo de la cortadora de césped se hacen observando la máquina desde la posición de operación.

## Desempaque

### Apertura de la caja de cartón

1. Corte cada una de las esquinas de la caja verticalmente, de la parte superior a la base.
2. Saque todas las piezas sueltas:
  - Colector de Césped (si se incluye)
  - Aceite del motor
3. Quite el material de empaque suelto.

### Retiro de la cortadora de césped de la caja

1. Eleve la cortadora de césped desde la parte posterior para separarla del material de la caja que quede debajo y haga rodar la cortadora de césped fuera de la caja.
2. Verifique cuidadosamente si en la caja queda alguna parte suelta.
3. Quite todo el material de embalaje de la manija superior e inferior, incluido cualquier embalaje que fije el control de la cuchilla a la manija superior y cualquier embalaje entre las manijas superior e inferior.

## Montaje de la Cortadora de Césped

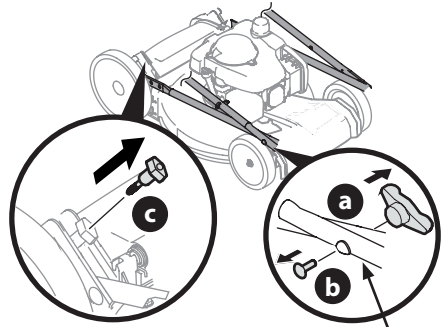
Para montar y armar la cortadora de césped, siga los siguientes pasos:

- Montaje de la Manija
- Montaje de la Manija de Cuerda del Arrancador de Retroceso
- Acople del Colector de Césped (si se incluye)
- Colocación del Canal de Descarga Lateral o Soplador de Descarga Lateral (si se incluye)
- Configuración del Arranque Eléctrico (si se incluye)

**NOTA:** Consulte los procedimientos en Ajustes para configurar la altura de corte, el ángulo de maniobra (en caso de suministrarse) y el control de dirección (en caso de suministrarse), según sea necesario.

## Montaje de la Manija Plegado de la manija

1. Extraiga las perillas o las tuercas de mariposa (a) y los pernos de carro (b) de la manija (Figura 1).



No afloje o quite los tornillos de cabeza hexagonal.

Figura 1

2. Extraiga los pernos T (c) de los soportes de la manija (Figura 1).
3. Mientras se estabiliza la cortadora de césped para que no se mueva, levante y gire suavemente la manija superior hasta la posición de funcionamiento (Figura 2). Asegúrese de que la manija inferior esté asentada firmemente sobre los soportes de la manija. No presione los cables del control de la transmisión o de la cuchilla mientras levanta la manija.

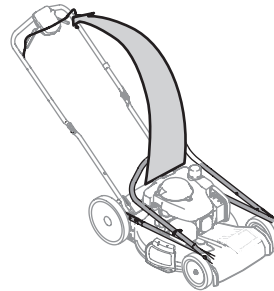


Figura 2

4. Vuelva a ajustar las perillas o las tuercas de aletas (a) y los pernos de carro (b) que se extrajeron en el PASO 2 en los orificios inferiores de la manija (Figura 3).

## MONTAJE (continuación)

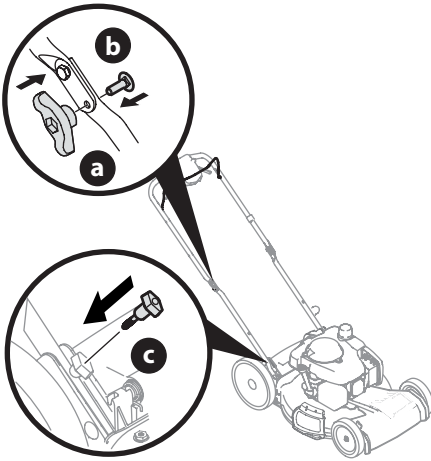


Figura 3

### Montaje de la Manija de Cuerda del Arrancador de Retroceso

**NOTA:** La guía de la cuerda está unida al costado derecho de la manija superior. Afloje la perilla que sujeta la guía de la cuerda (Figura 4).

**NOTA:** Algunas unidades incluyen un nudo corredizo en la cuerda de arranque de retroceso para reducir la holgura durante el transporte. Asegúrese de que el nudo corredizo esté suelto antes de realizar este procedimiento.

1. Sostenga el control de la cuchilla contra la manija superior.
2. Lentamente tire de la manija de la cuerda del arrancador de retroceso y deslice la cuerda de arranque en la guía de la cuerda.
3. Ajuste la perilla de guía de la cuerda.

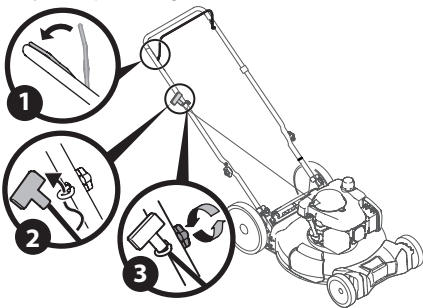


Figura 4

4. De ser necesario, ajuste cualquier brida de cable suelta (a) asegurándola a la manija (Figura 5).

**IMPORTANTE:** Para reducir el desgaste y permitir la operación adecuada, asegúrese de dejar un poco de holgura en la porción superior de los cables.

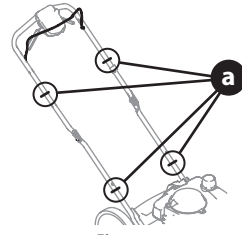


Figura 5

### Acople del Colector de Césped (si se incluye)

1. Para montar el colector de césped, proceda de la siguiente manera (Figura 6).

**NOTA:** Antes de montar el colector de césped, asegúrese que la bolsa para recortes esté con el lado derecho hacia afuera, con la etiqueta de advertencia hacia afuera.

- a. Coloque la bolsa sobre el marco de modo que el lado de plástico negro quede en el fondo.
- b. Deslice los canales plásticos (a) de la bolsa para recortes sobre el bastidor (b).

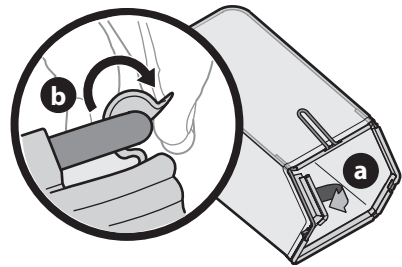


Figura 6

## MONTAJE (continuación)

- Para acoplar el colector de césped siga los pasos a continuación (Figura 7):
  - Eleve la puerta de descarga trasera (a).
  - Extraiga el adaptador para abono trasero (b) (si se incluye).
  - Coloque el colector de césped dentro de las ranuras de los soportes de la manija (c). Baje la puerta de descarga de modo que quede apoyada sobre el colector de césped.

**NOTA:** Para sacar el colector de césped, levante la puerta trasera de descarga de la cortadora de césped. Levante el colector de césped hacia afuera de las ranuras en los soportes de la manija. Vuelva a colocar el adaptador para abono trasero (si se incluye). Suelte la puerta de descarga trasera para permitir que la misma cierre la abertura trasera de la cortadora de césped.

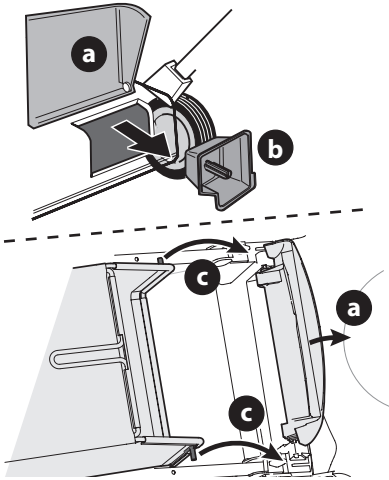


Figura 7

## Colocación del Canal de Descarga Lateral (si se incluye)

La cortadora de césped se envía como abonadora. Si se hace la conversión a descarga lateral asegúrese de que se haya extraído el colector de césped, que esté colocado el adaptador para abono trasero (si se incluye) y que la puerta de descarga trasera esté cerrada.

- Eleve el adaptador para abono (Figura 8).
- Deslice los dos ganchos del canal de descarga lateral (a) debajo del pasador de bisagra del adaptador para abono. Baje el adaptador para abono.

**IMPORTANTE:** No retire adaptador para abono lateral en cualquier momento.

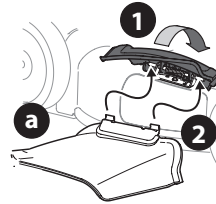


Figura 8

## Ajustes de la altura de corte

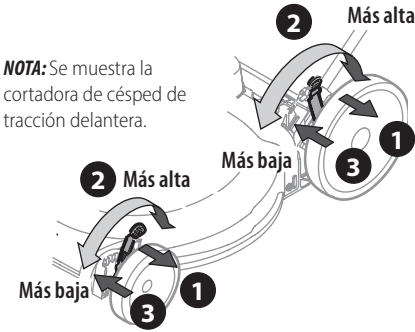
**NOTA:** En determinadas cortadoras de césped - Las palancas de ajuste de altura delantera y trasera se mueven en dirección opuesta para ajustar la altura de corte.

- Tire cuidadosamente de la palanca de ajuste de altura hacia afuera en dirección a la rueda (la cortadora de césped tenderá a caer cuando se mueve la palanca hacia afuera).
- Mueva la palanca a la posición deseada para cambiar la altura de corte.

## MONTAJE (continuación)

3. Libere la palanca hacia la plataforma.

**IMPORTANTE:** Todas las ruedas deben ser colocadas en la misma posición. Cuando el terreno es agreste o irregular, mueva cada palanca de ajuste de altura a una posición más alta. Esto evitará que corte el césped demasiado cerca del suelo.



**NOTA:** Se muestra la cortadora de césped de tracción delantera.

Figura 9

## Inclinación de la manija (si se incluye)

Para conveniencia de funcionamiento, usted puede ajustar la inclinación de la manija. Proceda de una de las siguientes maneras.

1. Extraiga las tuercas de aletas y los pernos de carro de la manija (Figura 10).
2. Coloque la manija en una de las tres posiciones que sea más cómoda. Consulte el recuadro de la Figura 10.
3. Sujete en la posición con las tuercas de aletas (a) y los pernos de carro que extrajo en el PASO 1.

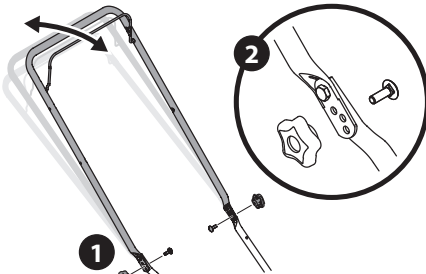


Figura 10

## Ajuste del control de la transmisión

### Controles de la transmisión de palanca única y de palanca doble (si se incluyen)

Si se incluye, la rueda de ajuste está ubicada en el alojamiento de la manija de control de la transmisión que se utiliza para ajustar o aflojar la correa de transmisión. Deberá ajustar el control de transmisión si la cortadora no se autopulsa con el control de transmisión enganchado o si las ruedas de la cortadora vacilan con el control de transmisión enganchado. Si ocurren algunas de estas condiciones, rote la rueda de ajuste en sentido de las agujas del reloj para ajustar el cable o en sentido contrario a las agujas del reloj para aflojar el cable. Consulte la Figura 11 para determinar la ubicación del Control de la transmisión con palanca única y la Figura 12 para el Control de la transmisión de palanca doble.

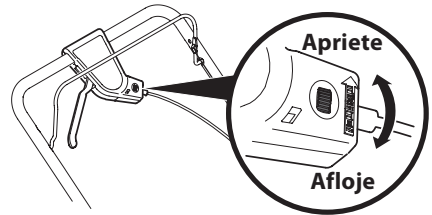


Figura 11

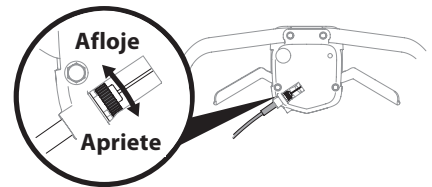


Figura 12

## FUNCIONAMIENTO

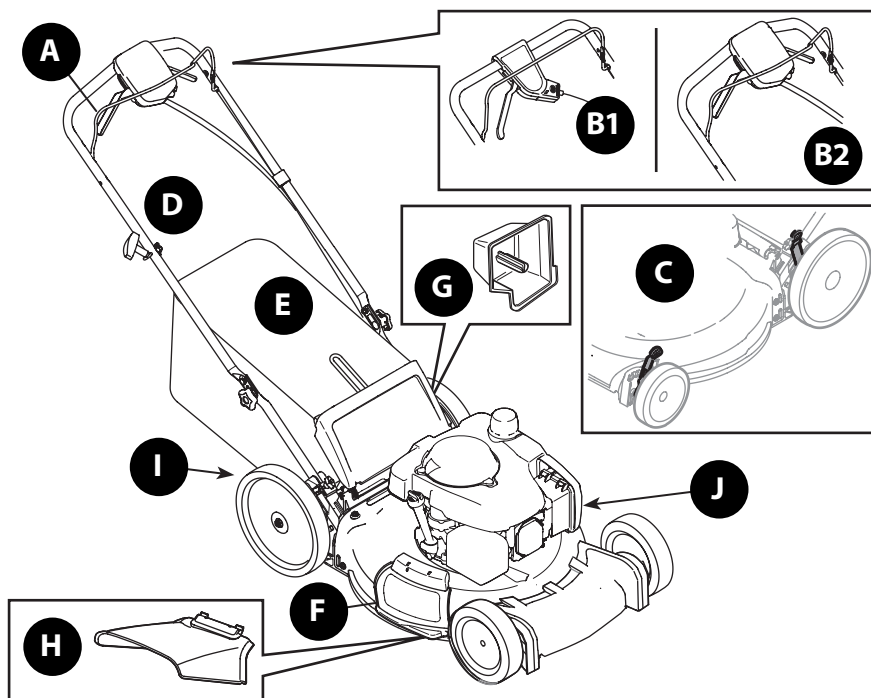


Figura 13

### Características

#### A. CONTROL DE LA CUCHILLA

El control de la cuchilla está unido a la manija superior de la cortadora. Para hacer funcionar la cortadora de césped, presione el control de la cuchilla contra la manija superior. Para detener la cuchilla y el motor, suelte el control de la cuchilla.



**ADVERTENCIA:** El control de la cuchilla es un dispositivo de seguridad. Nunca intente anular su funcionamiento.

#### B. CONTROL DE LA TRANSMISIÓN

Hay cuatro configuraciones de control de la transmisión.

##### 1. Control de transmisión de palanca única (si está equipado)

- El control de transmisión de palanca única se encuentra ubicado en la parte superior de la manija superior y se utiliza para activar la transmisión. Apriételo contra la manija superior para activar la transmisión, libérela para disminuir la velocidad o detener la cortadora.

##### 2. Controles de transmisión de doble palanca (si están equipados)

- Los controles de transmisión de doble palanca se encuentran ubicados en la parte superior de la manija superior y se utilizan para activar la transmisión. Apriete los controles derecho, izquierdo, o ambos, derecho e izquierdo contra la manija superior para activar la transmisión; libérela/los para reducir la velocidad o detener la cortadora.

#### C. PALANCA DE AJUSTE DE LA ALTIMA DE CORTE

Las palancas de ajuste de la altura de corte de la palanca doble están ubicadas por encima de las ruedas derechas delantera y trasera. Para ajustar la altura de corte, consulte Ajustes de la altura de corte on página 28.

#### D. ARRANCADOR DE RETROCESO

El arrancador de retroceso está adosado a la manija superior derecha. Para encender la cortadora de césped, párese detrás de la misma y tire de la cuerda del arrancador de retroceso.

#### E. COLECTOR DE CÉSPED (SI SE INCLUYE)

El colector de césped, que está ubicado en la parte trasera de la cortadora, se usa para embolsar los recortes del césped para desecharlos. Cuando se llena la bolsa, retírela a través de las manijas y vacíela antes de seguir cortando.

## FUNCIONAMIENTO (continuación)

### F. ADAPTADOR PARA ABONO (SI SE INCLUYE)

El adaptador para abono está ubicado en el costado derecho de la cortadora y se usa para fines de abono (recirculando los recortes de regreso a la tierra).

### G. ADAPTADOR PARA ABONO TRASERO (SI SE INCLUYE)

En determinadas cortadoras de césped, el adaptador para abono (si se incluye) es un componente separado. Si se incluye, este adaptador para abono se debe instalar en la parte trasera de descarga para embolsado si se usa la cortadora de césped como abonadora (recirculando los recortes de regreso a la tierra) o descarga lateral.

### H. CANAL DE DESCARGA LATERAL (SI SE INCLUYE)

El canal de descarga lateral se usa para descargar recortes de césped al costado de la cortadora de césped en lugar juntarlos en el colector de césped o de usar la cortadora de césped como abonadora.



**ADVERTENCIA:** *Keep hands and feet away from the chute area on cutting deck. Refer to warning label on the unit.*

### I. ESCUDO POSTERIOR

El escudo posterior se adosa a la parte trasera de la cortadora para proteger al operador contra desechos expulsados. No utilice la cortadora de césped a menos que el escudo esté en buen estado e instalado.

### J. SISTEMA DE LAVADO DE PLATAFORMA (SI SE INCLUYE)

La plataforma de su cortadora puede estar equipada con un pico de lavado de plataforma de sujeción rápida como parte del sistema de lavado de plataforma. Utilice el sistema de lavado de plataforma para quitar los recortes de césped de la parte inferior de la plataforma.

## Llenado de Gasolina y Aceite

**IMPORTANTE:** consulte en el Manual del operador del motor información adicional sobre el motor.

Esta cortadora de césped se envía sin gasolina (combustible) ni aceite en el motor. Antes de poner en marcha u operar su cortadora de césped, asegúrese de cargar el motor con gasolina y aceite como se indica.

1. Agregue el aceite provisto antes de arrancar la cortadora de césped la primera vez, como se indica en el Manual del operador del motor.
2. Llene el motor con gasolina como se indica en el Manual del operador del motor.



**ADVERTENCIA:** *Tenga mucho cuidado al trabajar con gasolina. La gasolina es sumamente inflamable y sus vapores son explosivos. Nunca agregue combustible a la máquina en espacios cerrados ni mientras el motor está caliente o funcionando. Apague cigarrillos, cigarras, pipas y otras fuentes de combustión.*

## Para Detener el Motor



**ADVERTENCIA:** *Asegúrese de que ninguna persona aparte del operador permanezca cerca de la cortadora de césped mientras arranca el motor u opera la misma. Nunca encienda el motor en interiores o en espacios cerrados o con poca ventilación. El escape del motor contiene monóxido de carbono, un gas inodoro y letal. Mantenga las manos, los pies, el cabello y la ropa suelta alejados de las partes móviles del motor y de la cortadora.*

Consulte el Manual del Operador del Motor para obtener instrucciones sobre cómo arrancar y parar el motor.

## Para Detener el Motor

Suelte el control de la cuchilla para detener el motor y la cuchilla.

**NOTA:** Si su cortadora de césped viene equipada con una Llave-Botón de Encendido Eléctrico, saque la llave cuando deje sola la cortadora de césped sin supervisión para evitar que alguien la use sin autorización.



**ADVERTENCIA:** *Espere a que la cuchilla se haya detenido por completo antes de hacer cualquier trabajo en la cortadora o de retirar el colector de césped.*

*Compruebe que el tiempo de detención de la cuchilla esté dentro de los 3 segundos. Si la cuchilla no se detiene al cabo de 3 segundos, comuníquese con su Centro de Atención.*

## Uso de la Cortadora de Césped



**ADVERTENCIA:** *Al hacer funcionar la cortadora de césped puede ser que se arrojen objetos extraños a los ojos, lo cual puede dañarlos gravemente. Utilice siempre anteojos de seguridad durante la operación de la cortadora o mientras la ajusta o repara.*

Asegúrese de que el césped está libre de piedras, palos, cables u otros objetos que pudiesen dañar la cortadora o el motor. Dichos objetos pueden ser arrojados accidentalmente por la cuchilla en cualquier dirección y provocar lesiones personales graves al operador y asistentes.

## Gancho de control de la transmisión (si se incluye)

1. Una vez que el motor esté funcionando, apriete el gancho de control de transmisión contra la manija superior para pulsar la cortadora.
2. Libere el gancho de control de transmisión para detener la cortadora.

## FUNCIONAMIENTO (continuación)

### Controles de transmisión de doble palanca (si se incluye)

1. Una vez que el motor esté funcionando y mientras sigue oprimiendo el control de la cuchilla, apriete cualquiera de los controles de la transmisión (o ambos) contra la manija superior para propulsar la cortadora (Figura 14).



Figura 14

2. Libere los controles de la transmisión de palanca doble para disminuir la velocidad o detener la cortadora.
3. Control de velocidad (si se incluye) - Para cambiar la velocidad, mueva el control de velocidad a la velocidad deseada.

**NOTA:** Al seleccionar una velocidad de transmisión, use la primera velocidad hasta que se sienta cómodo y se haya familiarizado con el funcionamiento de la cortadora de césped.

**IMPORTANTE:** Si está cambiando velocidades mientras la cortadora de césped permanece fija, puede ser difícil cambiar a la primera velocidad en ciertas condiciones. Esto se soluciona fácilmente enganchando brevemente la palanca de transmisión.

**NOTA:** Su cortadora de césped está equipada con un sistema de transmisión interna de avanzada para facilitar el uso y realizar los cambios sin problemas. Al girar o tirar de la unidad hacia atrás, usted podrá notar una resistencia superior a la normal en las ruedas posteriores bajo ciertas condiciones. Esto es perfectamente normal y se puede resolver dejando que la unidad se mueva ligeramente hacia adelante sin que la(s) palanca(s) de transmisión estén enganchadas antes de tirar hacia atrás.

### Uso de la Tapa de descarga (si se incluye)

Para usar la cortadora de césped sin abonar o recolección de césped, extraiga el colector de césped y asegure que se instale el adaptador de abono trasero (si se incluye). Deje que la puerta de descarga trasera cierre la abertura trasera de la cortadora de césped. Consulte Colocación del Canal de Descarga Lateral (si se incluye) on página 28.

### Uso de la cortadora de césped como abonadora (si se incluye)

Para abonar el césped, quite el colector de césped o canal de descarga lateral de la máquina. Cuando quite el colector de césped de la cortadora, asegúrese de que el adaptador para abono trasero (si se incluye) esté instalado y permita que la puerta de descarga trasera cierre la abertura trasera de la cortadora de césped. Cuando se saca el canal de descarga lateral, se cierra el adaptador para abono. Para un abono eficiente, no corte césped húmedo. Si el césped ha crecido más de cuatro pulgadas, no se recomienda abonar. En ese caso, use el colector de césped para embolsar los recortes.

### Uso de la cortadora de césped con el colector de césped (si se incluye)

Puede utilizar el colector de césped para recoger recortes mientras opera la cortadora.

1. Sujete el colector de césped, consulte Acople del Colector de Césped (si se incluye) on página 27. Los recortes de césped son recolectados en la bolsa de forma automática. Opere la cortadora hasta que la bolsa de recolección esté llena.
2. Detenga el motor soltando la manija de control de la cuchilla. Compruebe que el motor se haya detenido por completo.
3. Para retirar la bolsa, levante la puerta de descarga trasera y tire de la bolsa de recolección hacia arriba, apartándola de la cortadora. Deseche los recortes de césped y vuelva a colocar la bolsa cuando haya terminado.



**ADVERTENCIA:** Si golpea un objeto extraño, detenga el motor. Desconecte el cable de la bujía, inspeccione detenidamente la cortadora para ver si hay daños, y repare el daño antes de volver a encenderla y hacerla funcionar. El exceso de vibración de la cortadora durante el funcionamiento es una indicación de daño. Se debe inspeccionar y reparar la cortadora lo antes posible.



**ADVERTENCIA:** Antes de realizar cualquier tipo de mantenimiento o servicio, desactive todos los controles y detenga el motor. Espere a que se detengan completamente todas las piezas móviles. Deje que el motor se enfríe. Desconecte el cable de la bujía de encendido y póngalo haciendo masa contra el motor para evitar que se encienda accidentalmente.



# SERVICIO Y MANTENIMIENTO

## Recomendaciones Generales

- Respete siempre las reglas de seguridad que figuran sobre la cortadora y en los manuales cuando realice cualquier tarea de mantenimiento.
- La garantía de esta cortadora no cubre elementos que hayan sido objeto de abuso o negligencia. Para recibir el reembolso total de la garantía, el operador deberá mantener la cortadora como se indica en este manual.
- El cambio de la velocidad controlada por el motor invalidará la garantía del motor.
- Antes de cada uso y antes de almacenarla para la temporada en que no se usa, verifique que todos los herrajes estén instalados y ajustados.

## Lubricación

### Control de la cuchilla

Lubrique con aceite ligero los puntos de pivote del control de la cuchilla al menos una vez por temporada y antes de almacenarla. Este control debe funcionar libremente en ambas direcciones (Figura 15)

### Ruedas

Lubrique con aceite ligero todos los cubos/ejes de ruedas una vez por temporada y antes de almacenar la cortadora (Figura 15).

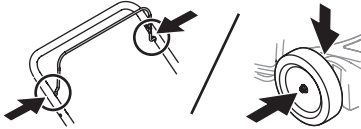


Figura 15

## Mantenimiento del Motor

Anualmente, revise el par de ajuste de los pernos de montaje del motor: Mín. 29.2 pies-libras (39.6 N-m), Máx. 41.7 pies-libras (56.3 N-m).

Consulte el Manual del Operador del Motor que viene con su cortadora para obtener una descripción detallada de todas las especificaciones de servicio relacionadas con el motor y el almacenamiento.

Si el motor no arranca, funciona errático, sobrecalienta, saltea (titubea) o no ralentiza bien, consulte el Manual del Operador del Motor.

**IMPORTANTE:** Controle el nivel de aceite del motor antes de cada uso. Consulte el Manual del Operador del Motor.

## Limpié el motor

- Antes de cada uso, limpie el césped, la grasa o los residuos acumulados del motor. Mantenga limpios el varillaje, los resortes y los controles. Mantenga el área que rodea al silenciador y que está detrás del mismo libre de cualquier residuo combustible.
- El mantenimiento del motor en condiciones limpias permite el movimiento de aire alrededor del mismo.
- Las piezas del motor se deben mantener limpias para reducir el riesgo de sobrecalentamiento e ignición de los residuos acumulados.



**PRECAUCIÓN:** No use agua para limpiar las piezas del motor. El agua puede contaminar el sistema de combustible. Use un cepillo o paño seco.

## Limpeza de la plataforma

Al menos una vez por temporada y antes del almacenamiento, limpie la parte inferior de la plataforma de la cortadora de césped para prevenir la acumulación de recortes de césped u otros desechos.

1. Deje el motor en marcha hasta que se acabe el combustible. No intente verter combustible del motor. Desconecte el cable de la bujía. Consulte el Manual del Operador del Motor.
2. Gire la cortadora de césped sobre el costado y compruebe que el filtro de aire y el carburador queden mirando hacia arriba. Sostenga firmemente la cortadora.
3. Raspe y limpie la parte inferior de la plataforma mediante el uso de una herramienta adecuada. No la rocíe con agua.
4. Vuelva a colocar la cortadora sobre sus ruedas en el suelo.

**IMPORTANTE:** No utilice una lavadora a presión o manguera de jardín para limpiar su cortadora. Pueden producir daños a los rodamientos o al motor. El uso de agua acortará la vida útil de la máquina y reducirá su capacidad de servicio.

## SERVICIO Y MANTENIMIENTO (continuación)

### Cuidado de las Cuchillas



**ADVERTENCIA:** Espere a que la cuchilla se haya detenido por completo antes de hacer cualquier trabajo en la cortadora o de retirar el colector de césped.

Compruebe que el tiempo de detención de la cuchilla esté dentro de los 3 segundos. Si la cuchilla no se detiene al cabo de 3 segundos, comuníquese con su Centro de Atención.



**ADVERTENCIA:** Cuando saque la cuchilla de corte para afilarla o reemplazarla, protéjase las manos usando un par de guantes gruesos o un trapo grueso para sostener la cuchilla.

Anualmente, revise el par de ajuste de los pernos de montaje de la cuchilla de la cortadora: Mín. 37.5 pies-libras (50.8 N-m), Máx. 50.0 pies-libras (67.8 N-m).

Inspeccione periódicamente la cuchilla y el adaptador de la cuchilla en busca de pandeos o rajaduras, especialmente cuando golpee un objeto extraño o tiene una vibración excesiva. Reemplace según necesidad. Para realizar el mantenimiento de la cuchilla, siga los siguientes pasos:

1. Deje el motor en marcha hasta que se acabe el combustible. No intente verter combustible del motor.
2. Desconecte el cable de la bujía. Consulte el Manual del Operador del Motor.
3. Gire la cortadora de césped sobre el costado y compruebe que el silenciador quede orientado hacia abajo y el filtro de aire y el carburador queden mirando hacia arriba.
4. Retire el perno (a) y el soporte de campana de la cuchilla (b) que sostienen la cuchilla y el adaptador de la cuchilla al cigüeñal del motor (Figura 41).
5. Retire la cuchilla (c) y el adaptador de la cuchilla (d) del cigüeñal (Figura 41).
6. Saque la cuchilla del adaptador para comprobar el centrado.
  - a. Centre la cuchilla sobre un destornillador de eje redondo para inspeccionarla.
  - b. Saque metal del lado pesado hasta que quede bien centrada.

**NOTA:** cuando afile la cuchilla, siga el ángulo original de afilado como guía. Afile cada borde de corte por igual para mantener centrada la cuchilla.



**ADVERTENCIA:** Si la cuchilla está descentrada causará demasiada vibración al rotar a altas velocidades. Puede producir daños al motor y la cuchilla se puede romper causando así lesiones personales.

7. Lubrique el cigüeñal del motor y la superficie interna del adaptador de la cuchilla con aceite ligero. (recuadro de la (Figura 16 inset).
  - a. Deslice el adaptador de la cuchilla (d) sobre el cigüeñal del motor.
  - b. Instale la cuchilla en el adaptador con el lado marcado "Grass Side" (lado del césped) (o con el número de parte) hacia el suelo cuando la cortadora de césped está en posición de funcionamiento.
  - c. Asegúrese que la cuchilla quede alineada y asentada en las bridas del adaptador.
8. Coloque el soporte de campana (b) sobre la cuchilla (c). Alinee las muescas del soporte de campana de la cuchilla con los orificios pequeños de la cuchilla.
9. Vuelva a colocar el perno hexagonal (a) y ajústelo según los siguientes valores de ajuste: Mín. 37.5 pies-libras (50.8 N-m), Máx. 50.0 pies-libras (67.8 N-m).

**NOTA:** para garantizar la operación segura de la cortadora de césped, revise periódicamente el perno de la cuchilla para determinar si está bien ajustado.

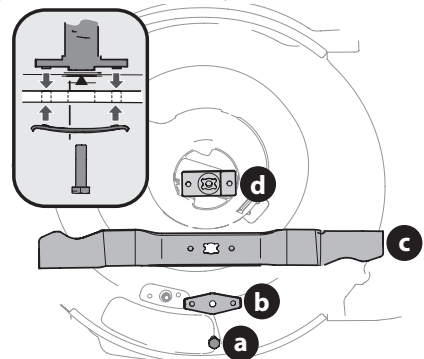


Figura 16

### Cuidado de la correa

Si la correa está dañada o desgastada puede evitar que la cortadora se impulse automáticamente. Revise periódicamente el sistema de polea y correa para detectar daños o desgaste. De ser necesario, comuníquese con un Centro de Servicio autorizado para que reemplacen la correa.

**NOTA:** para cambiar la correa de transmisión de la cortadora de césped, es necesario extraer varios componentes. Solicite a un Centro de Servicio autorizado que realice el reemplazo de la correa.

## SERVICIO Y MANTENIMIENTO (continuación)

### Servicio de Atención al Cliente

Para máquinas que requieran servicio o reemplazo de piezas, por favor contacte a su Centro de Servicio DEWALT® local o al Departamento de Atención al Cliente antes de intentar devolver la máquina.

En caso de tener problemas para ensamblar este producto o de tener dudas con respecto a los controles, el funcionamiento o el mantenimiento de esta máquina, si desea pedir piezas/aditamentos/accesorios o si desea ver un video instructivo en línea; puede solicitar la ayuda de expertos. Debe tener a mano el número de modelo y el número de serie completos. Seleccione una de las opciones siguientes:

◊ **Web:** [www.DeWALT.com](http://www.DeWALT.com)

◊ **Teléfono:** (855) 971-1123

### Repuestos

Número de pieza	Descripción
634-07619	Rueda (delantera 8" x 2", )
634-07731	Rueda (trasera 8" x 2", )
634-07634	Rueda (trasera 11" x 2")
942-0741A	Cuchilla abonadora (montaje de pajaritas ■)
742P05643	Cuchilla abonadora (S montaje ●, Sólo los números de serie que empiezan por el número 2.)
731-07486	DCanal de descarga
664-05794	Sólo Bolsa Colectora de Césped:
954-04282	Correa (RWD)

### Accesorios Parts

Número de pieza	Descripción
490-850-0005	Herramienta de extracción de cuchillas
490-850-0018	Llave para bujía
490-850-0008	Sifón de aceite
490-850-0016	Ventilador de descarga lateral
490-290-0012	Soporte de cortadora

## DEWALT® -- GARANTÍA LIMITADA

### Garantía Limitada de Tres Años

Para los términos de garantía, visite [www.dewalt.com/support/warranty](http://www.dewalt.com/support/warranty).

Para solicitar una copia escrita de los términos de garantía, póngase en contacto con: Servicio al Cliente en DeWALT Industrial Tool Co., 701 East Joppa Road, Towson, MD 21286 o llame al 1 800 4 DeWALT (1 800 433 9258).

América Latina: Esta garantía no aplica a productos vendidos en América Latina. Para productos vendidos en América Latina, consulte la información de garantía específica contenida en el empaque, llame a la compañía local o consulte la página de Internet respecto a la información de garantía.

reemplazo gratuito de etiqueta de advertencia: Si sus etiquetas de advertencia se vuelven ilegibles o faltan, llame al 1 800 4 DeWALT (1 800 433 9258) para reemplazo gratuito.









SLOPE GAUGE

