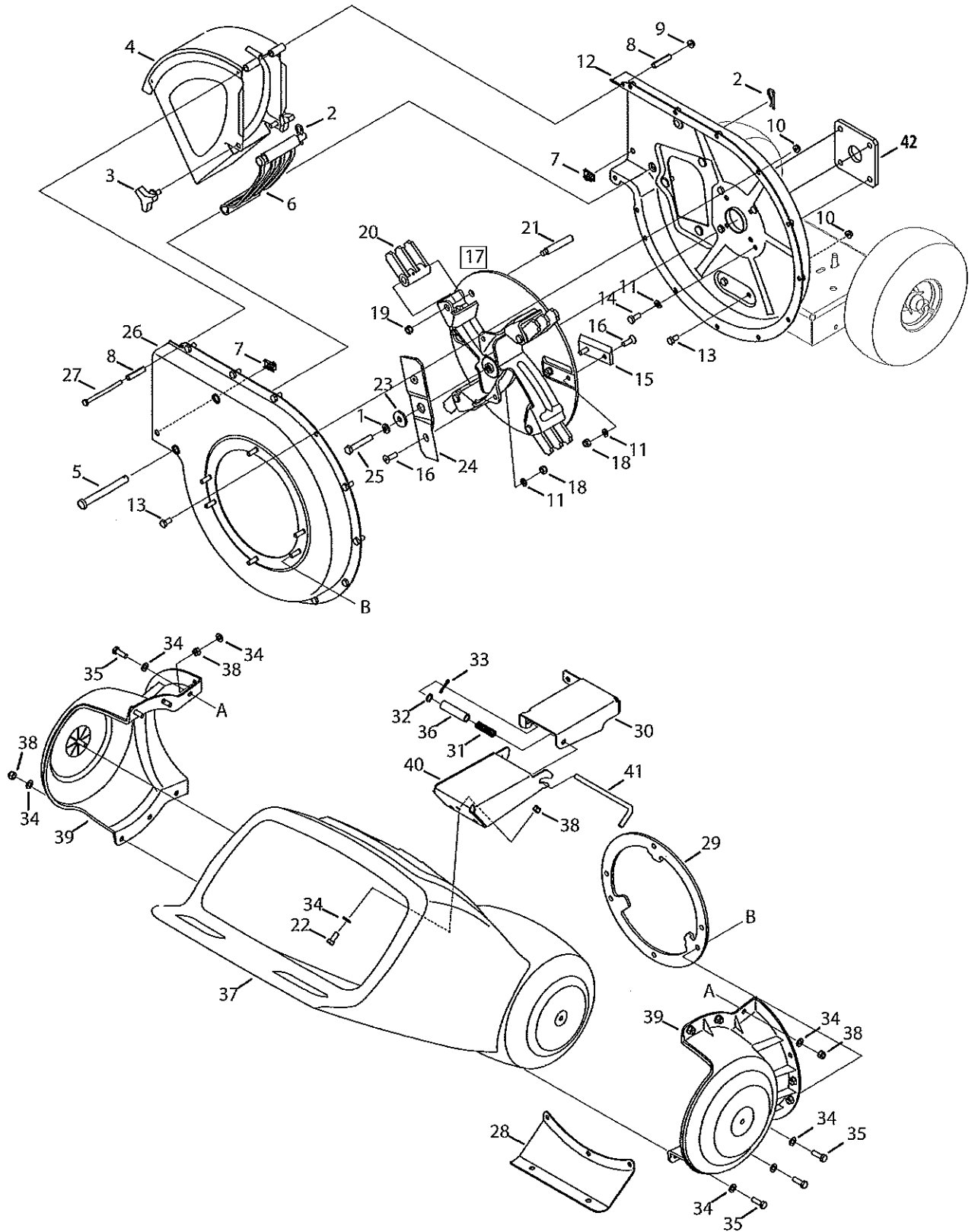


CS Model Series 450 & 460

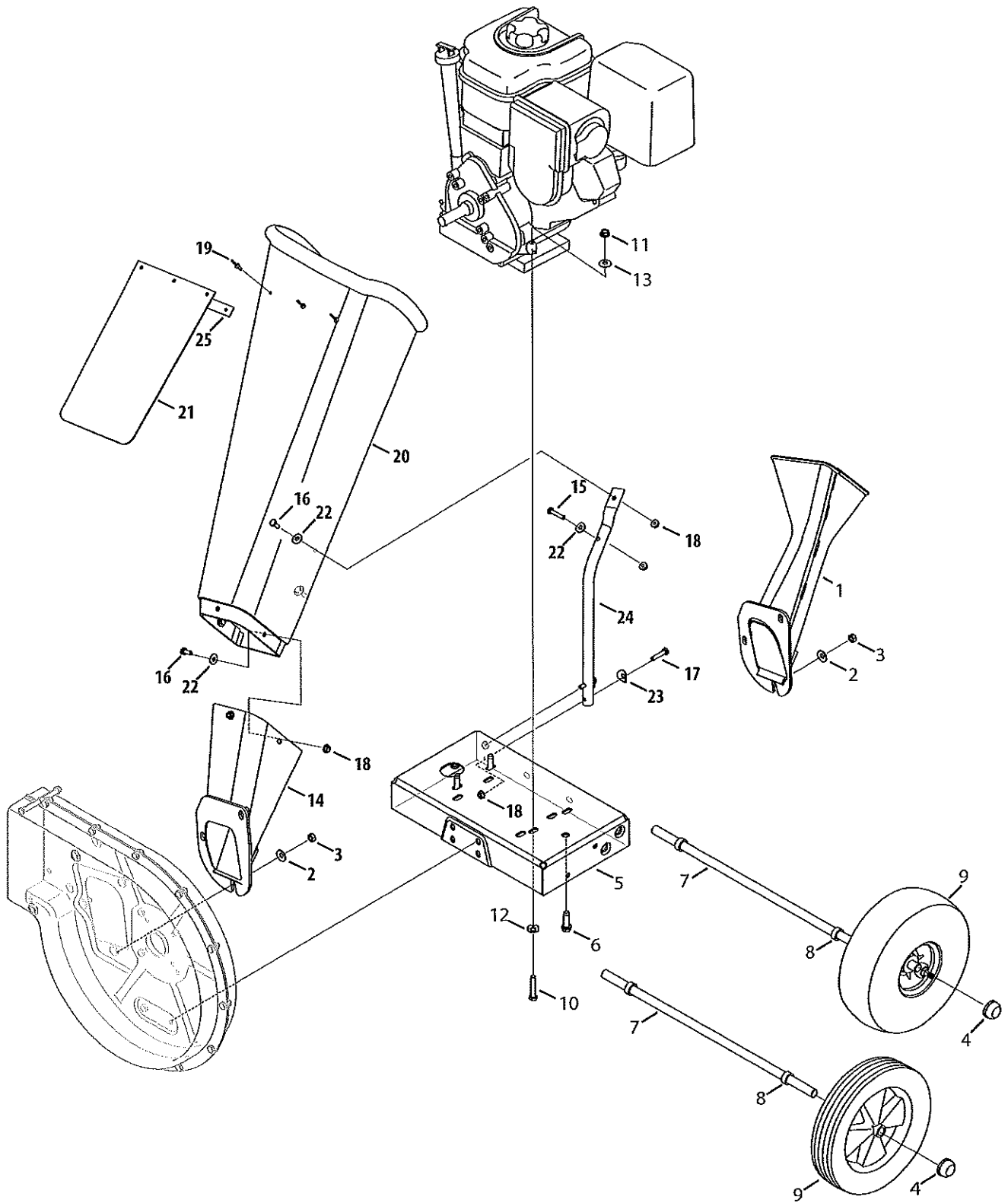


CS Model Series 450 & 460

Ref No.	Part Number	Description	Ref No.	Part Number	Description
1.	936-0217	Lock Washer, 3/8	21.	738-04286A	Shoulder Pin, .5 x 2.625
2.	914-0149B	Cotter Pin	22.	710-3008	Hex Cap Screw 5/16-18 x .75
3.	720-0170	Wing Knob 5/16-18	23.	736-0247	Flat Washer 3/8 x 1.25
4.	681-0094A	Chute Deflector Assembly	24.	942-0571	Shredder Blade
5.	911-0835	Clevis Pin	25.	710-1254	Hex Cap Screw 3/8-24 x 2.25
6.	781-0457	Shredder Screen	26.	681-0004A	Outer Impeller Housing Assembly
7.	926-0211	U-Nut 5/16-18	27.	710-0825	Hex Cap Screw 1/4-20 x 3.75
8.	950-0793	Spacer	28.	781-0515	Front Support Bracket
9.	912-3027	Hex Lock Nut, 1/4-20	29.	781-0574	Shredder Plate
10.	712-3004A	Hex Lock Nut 5/16-18	30.	681-0104	Rear Hopper Bracket Assembly
11.	936-0119	Lock Washer 5/16	31.	932-0306A	Compression Spring 1.75
12.	681-04116	Inner Impeller Housing Assembly	32.	936-0117	Flat Washer
13.	710-3025	Hex Cap Screw 5/16-18 x .625	33.	914-0104	Cotter Pin
14.	710-0157	Hex Cap Screw 5/16-24 x .75	34.	936-0264	Flat Washer .330 ID x .630 OD
	710-0888†	Hex Cap Screw 5/16-24 x 1.00	35.	710-0376	Hex Cap Screw 5/16-18 x 1.0
15.	981-0490	Chipper Blade (standard)	36.	748-0453	Spacer,.375 ID x 2.50 LG
	942-0544B	Chipper Blade (premium)	37.	731-1707A	Hopper Assembly
16.	710-1054	Hex Cap Screw 5/16-24 x 1.0	38.	912-0429	Hex Lock Nut 5/16-18
17.	981-04096	Impeller Assembly (standard)	39.	731-1710A	Hopper Collar
	681-04095	Impeller Assembly (premium)	40.	681-0123	Front Hopper Bracket Assembly
18.	912-0411	Hex Lock Nut 5/16-24	41.	711-1128	Lock Rod
19.	712-0266A	Nut, Jam Lock, 3/8-16	42.	781-04292†	Engine Plate
20.	719-04308	Flail Blade			

† Model Series 450 (208 CC)

CS Model Series 450 & 460



CS Model Series 450 & 460

Ref No.	Part Number	Description
1.	681-04118†	Chipper Shredder Chute
2.	736-0242	Bell Washer.340 ID x.872 OD
3.	912-3010	Hex Nut 5/16-18
4.	726-0214	Push Cap
5.	681-0184C	Frame
6.	710-0502A	Screw, 3/8-16 x 1.250
7.	738-0814†	Axle Assembly
	738-0813††	Axle Assembly
8.	950-0786	Spacer
9.	734-1600†	Wheel Comp., 10.0 x 2.5 Plastic
	934-04009††	Wheel Comp., 10.0 x 4.0 Gray
10.	710-0805	Hex Cap Screw 5/16-18 x 1.50
11.	712-3004A	Hex Lock Nut 5/16-18
12.	936-0170	Bell Washer 5/16 x 1.0
13.	736-0242	Bell Washer.340 ID x.872 OD
14.	681-04119††	Chipper Chute Assembly
15.	710-0106††	Hex Cap Screw 1/4-20 x 1.25
16.	710-0751††	Hex Cap Screw 1/4 -20 x.620
17.	710-0809††	Hex Cap Screw, 1/4-20 x 1.250
18.	912-3027††	Hex Lock Nut 1/4-20
19.	728-0175††	Pop Rivet
20.	753-05094††	Chipper Shredder Chute
21.	735-0249A††	Chute Flap
22.	736-0173††	Flat Washer.28 ID x.74 OD
23.	936-0451††	Washer,.320 ID x.93 OD
24.	749-1004††	Support Brace
25.	781-0633††	Chute Flap Strip
—	964-04022^	Chipper Bag Ass'y
—	723-0400^	Safety Glasses

† Model Series 450

†† Model Series 460

^ Not Shown