
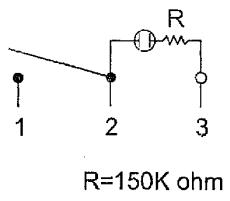

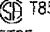
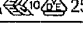
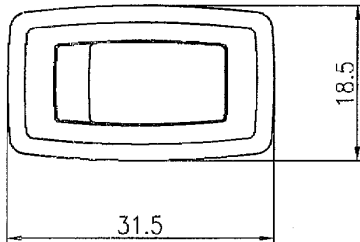


Rating	20A 125VAC 1/3HP 16A 250VAC 1/2HP <b>cRU</b> US	Mounting Hole 	Circuit Diagram 
	16A125VAC 10A250VAC CQC T85 16(4)A250Va.c  16A125VAC 10A250VAC  10(4)A 250~ 		
Contact Resistance	50m ohm Max.		
Insulation Resistance	DC 500V 100M ohm Min.		
Dielectric Strength	AC 1500V 1 minute		
Operation Temperature	-25°C ~ 85°C	Thickness	X Y
		0.75...1.25	27.6-0.1 13.8+0.1
		1.25...2	27.8-0.1 13.8+0.1
Switch Function	3P SPST ON-OFF (Illuminated)	2...3	28.0-0.1 13.8+0.1



Material:  
Frame: Black, Nylon 66  
Actuator: Red, PC  
Printed: None

