

# WALL



## CABINET CODING

standard

**W** **36** **18**  
CABINET CODE WIDTH HEIGHT

refrigerator

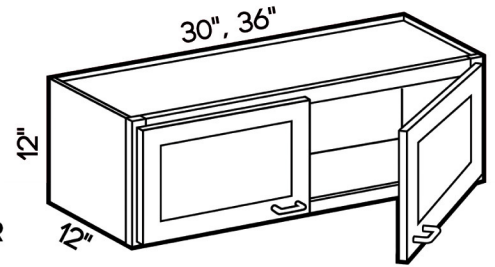
**W** **36** **18** **24**  
CABINET CODE WIDTH HEIGHT DEPTH

## NOTES

- Standard wall cabinets are 12" deep.
- Refrigerator wall cabinets are 24" deep.
- Add door thickness for total cabinet depth.
- Products are available in all door styles and colors unless stated otherwise.
- Exposed sides require finished ends or matching end panels.

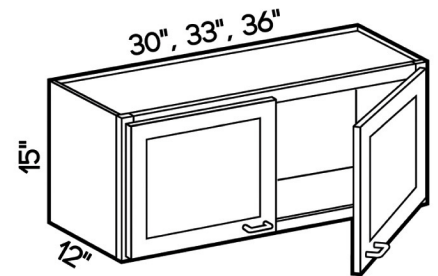
**W3012**  
**W3612**

12" HIGH DOUBLE DOOR



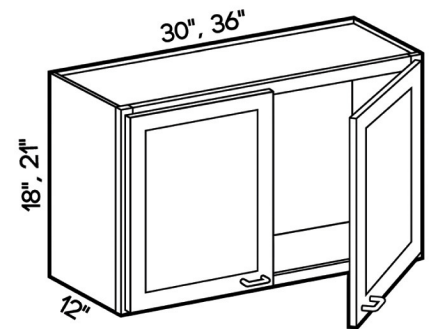
**W3015**  
**W3315**  
**W3615**

15" HIGH DOUBLE DOOR



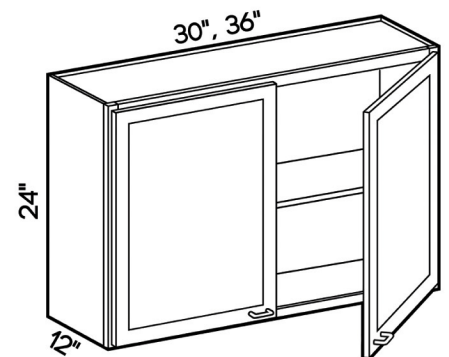
**W3018**  
**W3618**  
**W3021**  
**W3621**

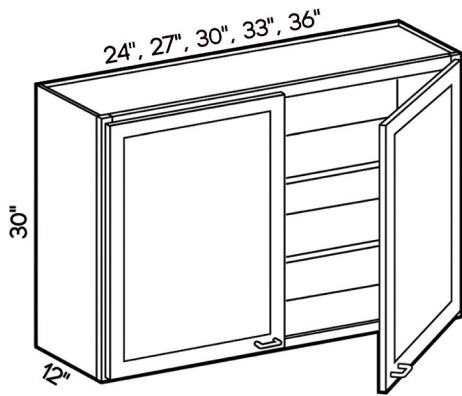
18"  
21" HIGH DOUBLE DOOR



**W3024**  
**W3624**

24" HIGH DOUBLE DOOR  
One adjustable shelf





**30" HIGH DOUBLE DOOR**  
- Two adjustable shelves

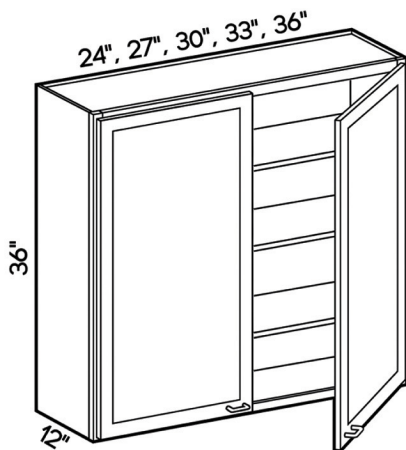
**W2430**

**W2730<sup>^</sup>**

**W3030<sup>^</sup>**

**W3330<sup>^</sup>**

**W3630<sup>^</sup>**



**36" HIGH DOUBLE DOOR**  
- Two adjustable shelves

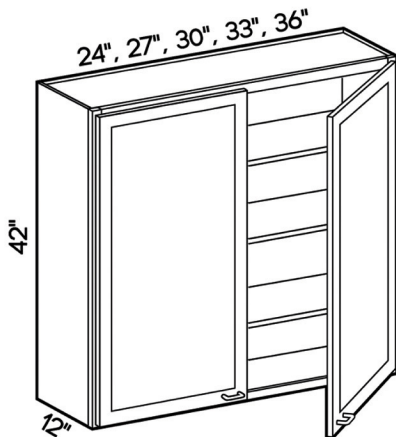
**W2436<sup>^</sup>**

**W2736**

**W3036<sup>^</sup>**

**W3336**

**W3636<sup>^</sup>**



**42" HIGH DOUBLE DOOR**  
- Three adjustable shelves

**W2442<sup>^</sup>**

**W2742**

**W3042<sup>^</sup>**

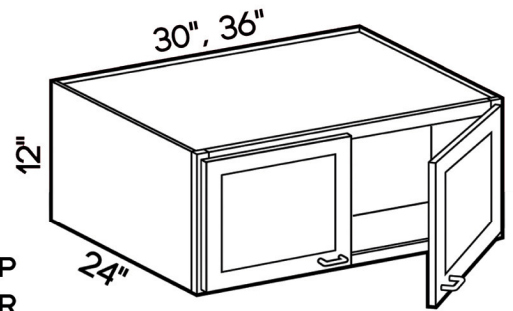
**W3342**

**W3642<sup>^</sup>**

**W301224**  
**W361224**

**12" HIGH BY 24" DEEP  
DOUBLE DOOR**

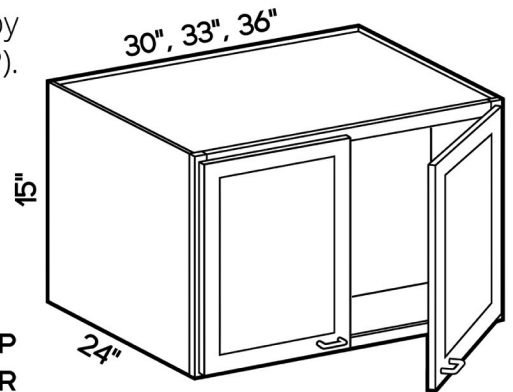
Must be installed between two cabinets, cabinet and wall, or supported by refrigerator panels (RP).



**W301524**  
**W331524**  
**W361524**

**15" HIGH BY 24" DEEP  
DOUBLE DOOR**

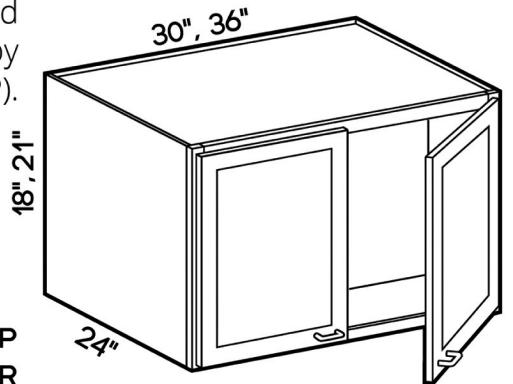
Must be installed between two cabinets, cabinet and wall, or supported by refrigerator panels (RP).



**W301824**  
**W361824**  
**W302124**  
**W362124**

**18" HIGH BY 24" DEEP  
DOUBLE DOOR**

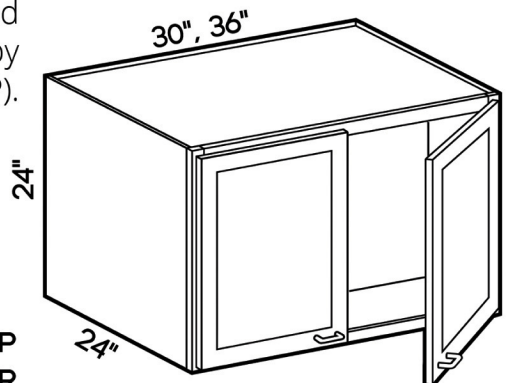
Must be installed between two cabinets, cabinet and wall, or supported by refrigerator panels (RP).

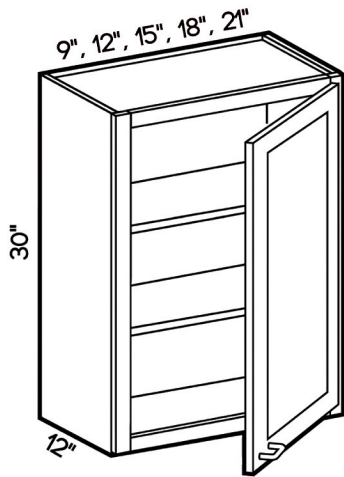


**W302424**  
**W362424**

**24" HIGH BY 24" DEEP  
DOUBLE DOOR**

Must be installed between two cabinets, cabinet and wall, or supported by refrigerator panels (RP).

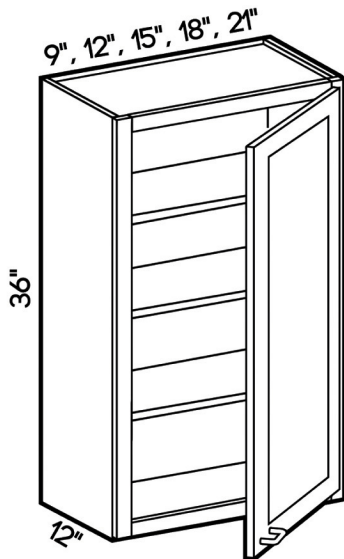




**30" HIGH SINGLE DOOR  
LEFT OR RIGHT HINGED**

- Two adjustable shelves
- Mullion doors available for noted sizes on the right.

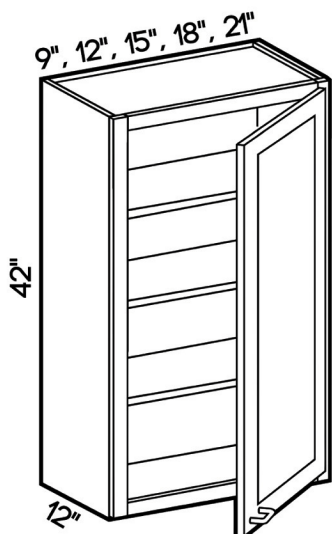
**W0930  
W1230<sup>^</sup>  
W1530<sup>^</sup>  
W1830<sup>^</sup>  
W2130<sup>^</sup>**



**36" HIGH SINGLE DOOR  
LEFT OR RIGHT HINGED**

- Three adjustable shelves
- Mullion doors available for noted sizes on the right.

**W0936  
W1236<sup>^</sup>  
W1536<sup>^</sup>  
W1836<sup>^</sup>  
W2136<sup>^</sup>**



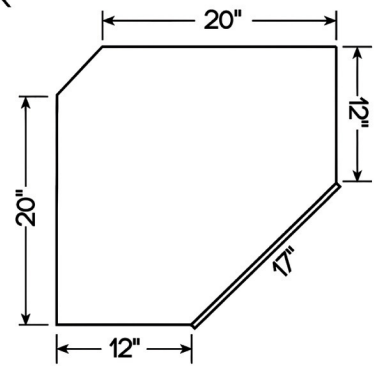
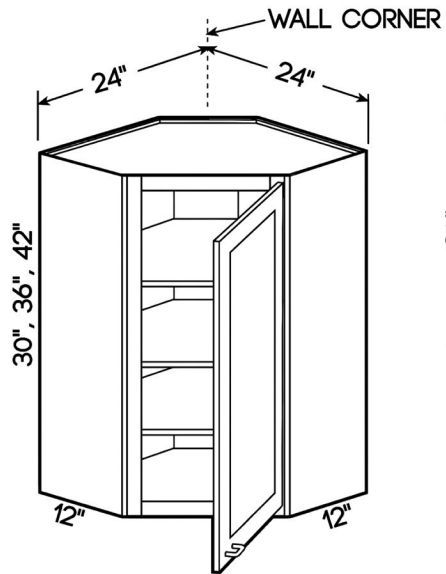
**42" HIGH SINGLE DOOR  
LEFT OR RIGHT HINGED**

- Three adjustable shelves
- Mullion doors available for noted sizes on the right.

**W0942  
W1242<sup>^</sup>  
W1542<sup>^</sup>  
W1842<sup>^</sup>  
W2142<sup>^</sup>**

**WDC2430**

**30" HIGH  
WALL ANGLE**  
Two adjustable shelves

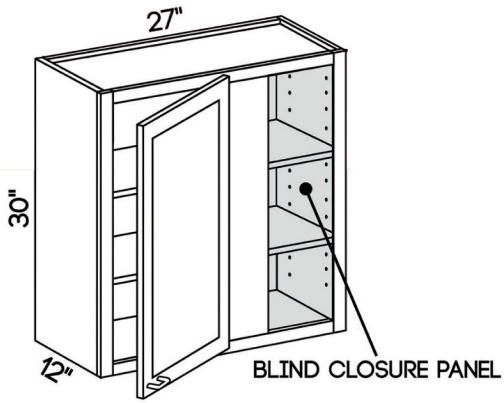


**WDC2436**

**36", 42" HIGH  
WALL ANGLE**  
Three adjustable shelves

**WDC2442**

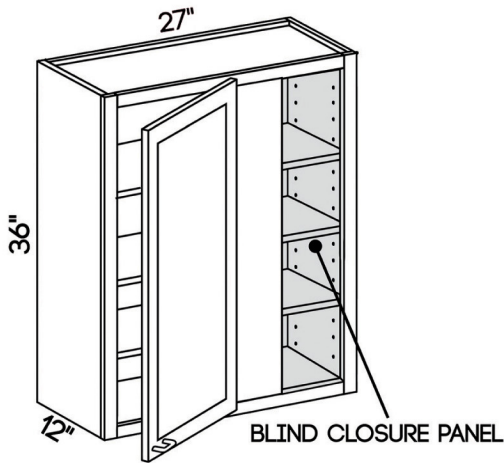
Three adjustable shelves



**30" HIGH WALL  
BLIND CORNER**

- Two adjustable shelves

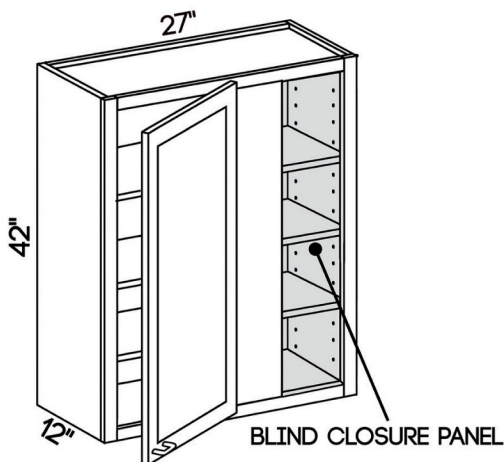
**WBC2730**



**36" HIGH WALL  
BLIND CORNER**

- Three adjustable shelves

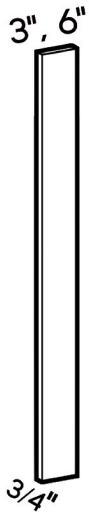
**WBC2736**



**42" HIGH WALL  
BLIND CORNER**

- Three adjustable shelves

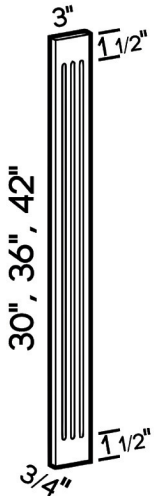
**WBC2742**



**FILLER STRIP**

- Face and all edges finished
- Angle fillers available; 45° - 135° fit.

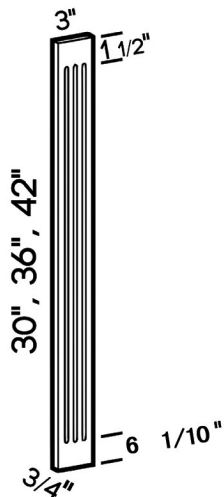
**WF330**  
**WF336**  
**WF342**  
**WF396**  
**WF630**  
**WF636**  
**WF642**  
**WF696**



**FLUTED FILLER STRIP**

- Face and all edges finished
- Angle fillers available; 45° - 135° fit.

**WFF330**  
**WFF336**  
**WFF342**  
**WFF630**  
**WFF636**  
**WFF642**



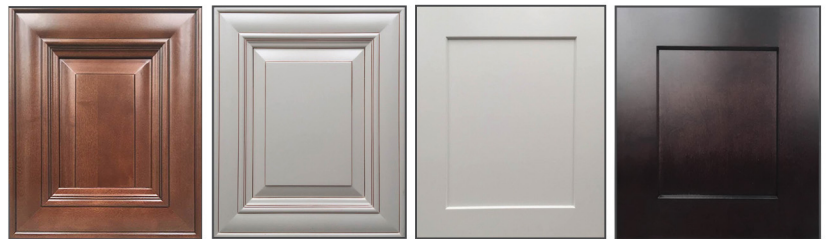
**FLUTED FILLER STRIP**

- Face and all edges finished
- Angle fillers available; 45° - 135° fit.

**WFF396**  
**WFF696**



# BASE



## CABINET CODING

standard

CABINET  
CODE

**30**

WIDTH

## NOTES

- Standard base cabinets are 24" deep and 34.5" high.
- Desk base cabinets have the same dimensions as standard base cabinets.
- Add door thickness for total cabinet depth.
- Products are available in all door styles and colors unless stated otherwise.
- Exposed sides require finished ends or matching end panels.

**B09**

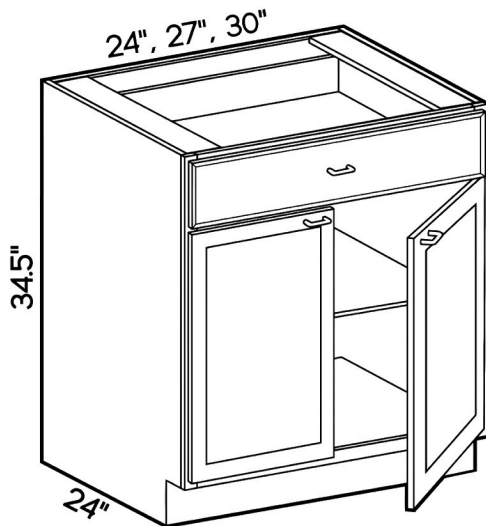
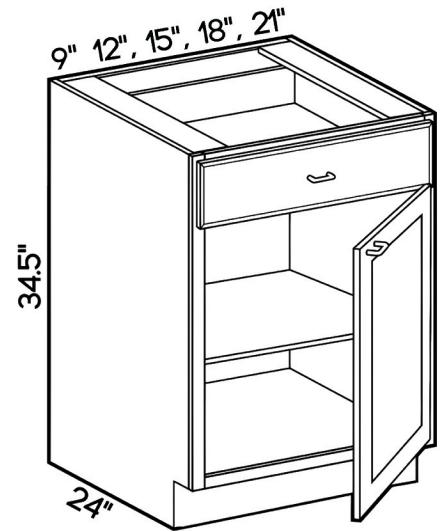
**B12**

**B15**

**B18**

**B21**

**24" DEEP SINGLE DOOR**  
**LEFT OR RIGHT HINGED**  
- One full depth adjustable shelf



**24" DEEP DOUBLE DOOR**  
- One full-depth adjustable shelf

**B24**

**B27**

**B30**

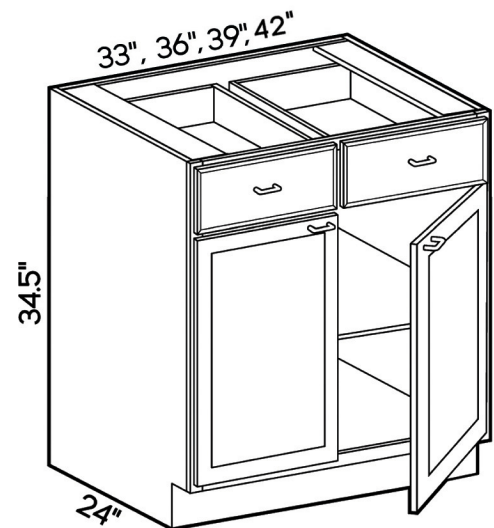
**B33**

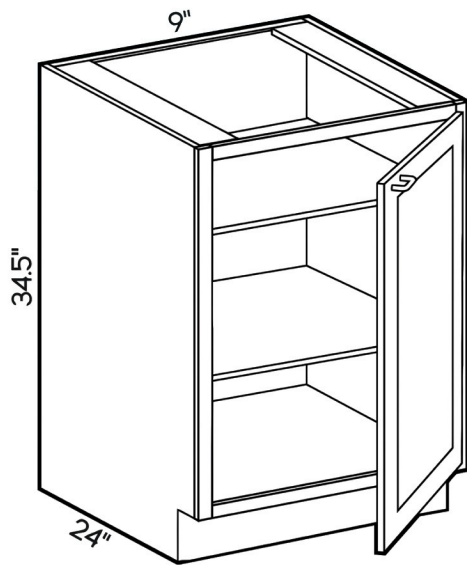
**B36**

**B39**

**B42**

**24" DEEP DOUBLE DOOR**  
- One full-depth adjustable shelf

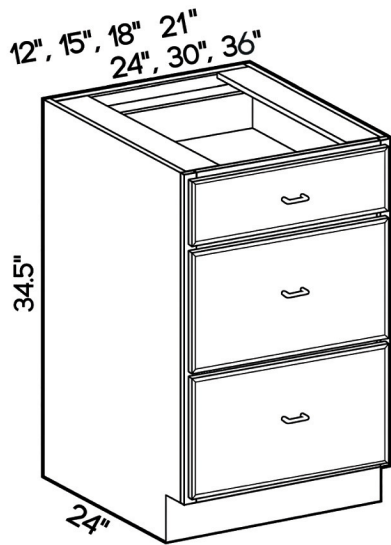




**24" DEEP SINGLE FULL  
HEIGHT DOOR  
LEFT OR RIGHT HINGED**

- One full-depth  
adjustable shelves

**BT09**



**24" DEEP BASE DRAWER**

- One standard drawer with  
two deep drawers

**DB12 -3**

**DB15 -3**

**DB18 -3**

**DB21 -3**

**DB24 -3**

**DB30 -3**

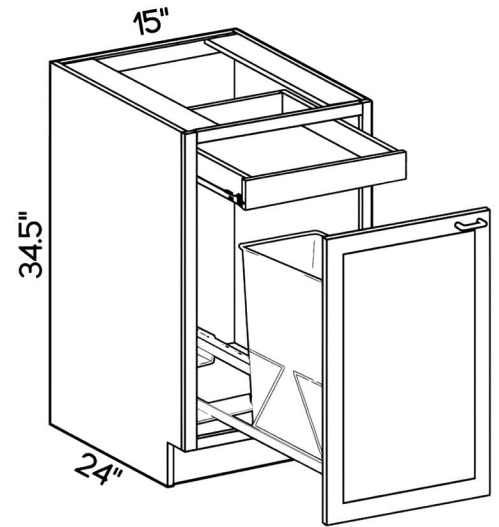
**DB33 -3**

**DB36 -3**

## TCK15-1

### 24" DEEP BASE WITH WASTEBASKET

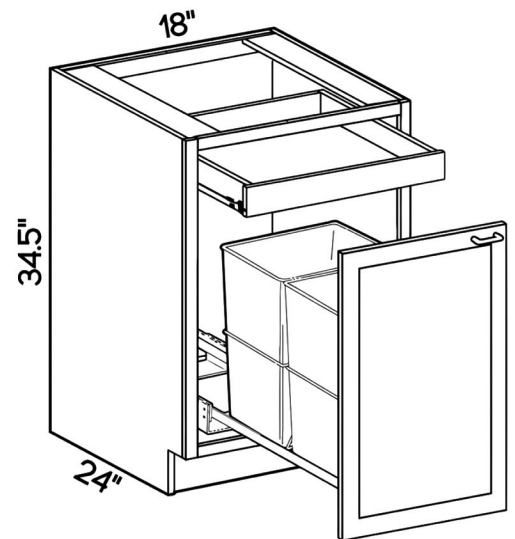
- Basket slides on full extension runners
- One removable 35-quart capacity white basket

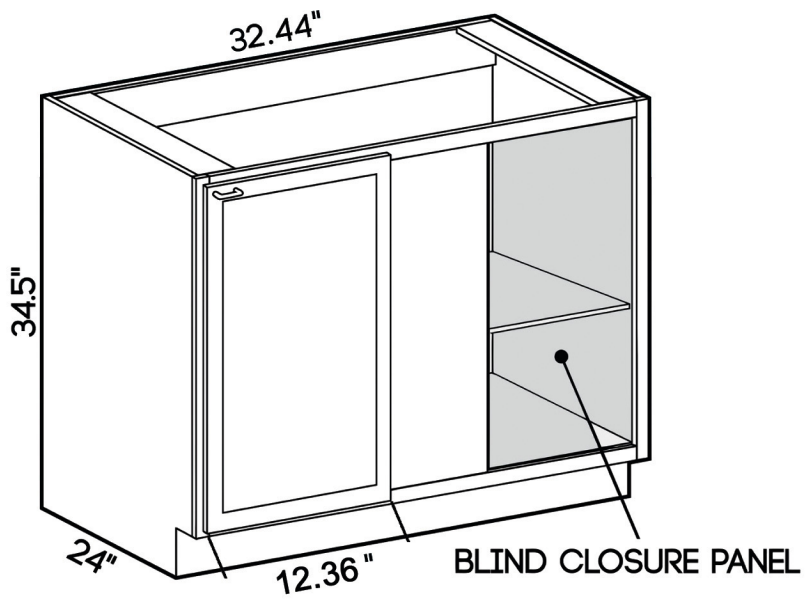


## TCK18-2

### 24" DEEP BASE WITH WASTEBASKET

- Baskets slide on full extension runners
- Two removable 35-quart capacity white baskets



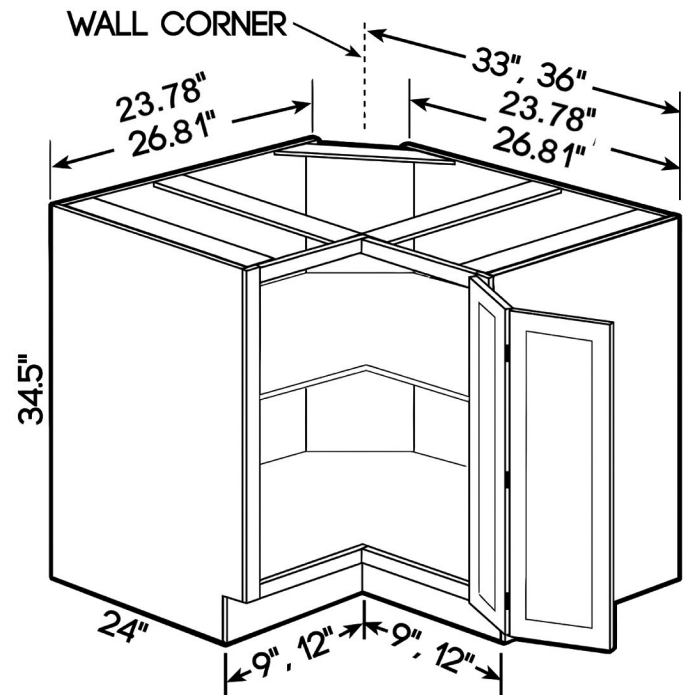


24" DEEP BLIND CORNER  
LEFT OR RIGHT BLIND  
- Single full height door

**BBC 36 - 42**

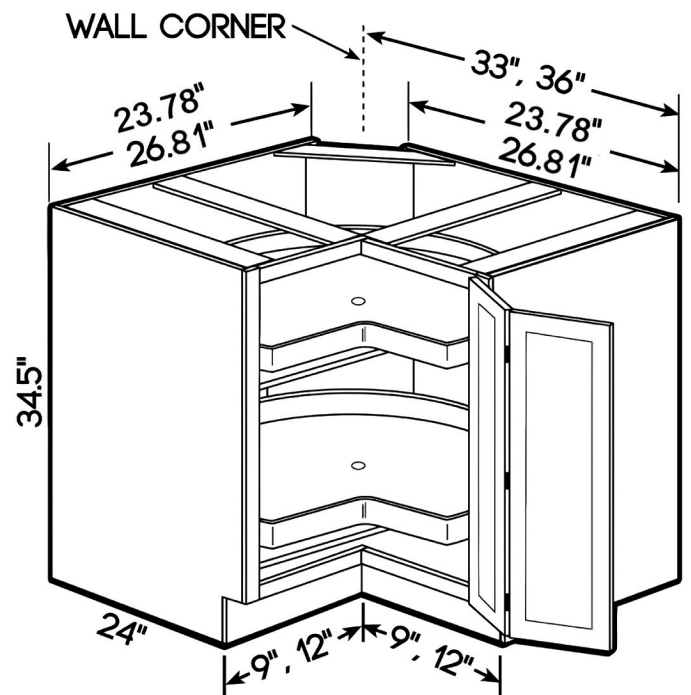
# LSB 33 LSB 36

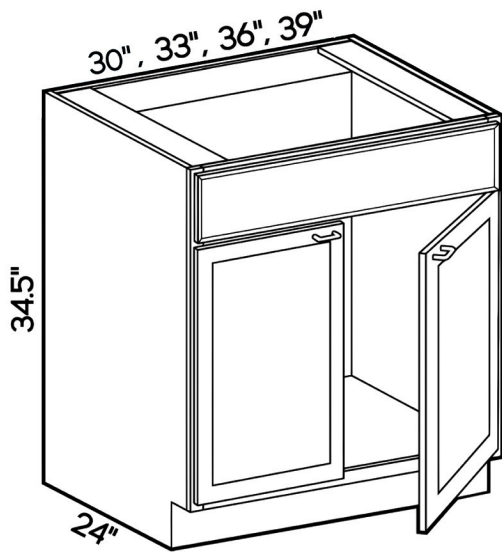
33" AND 36" EASY REACH  
LEFT OR RIGHT BLIND  
- Doors open 170° for  
accessibility



can purchase 2 single wooden  
lazy susan individually

33" AND 36" EASY REACH  
WITH SUPER SUSAN  
LEFT OR RIGHT BLIND  
- Doors open 170° for  
accessibility





**24" DEEP SINK BASE** SINGLE FRONT

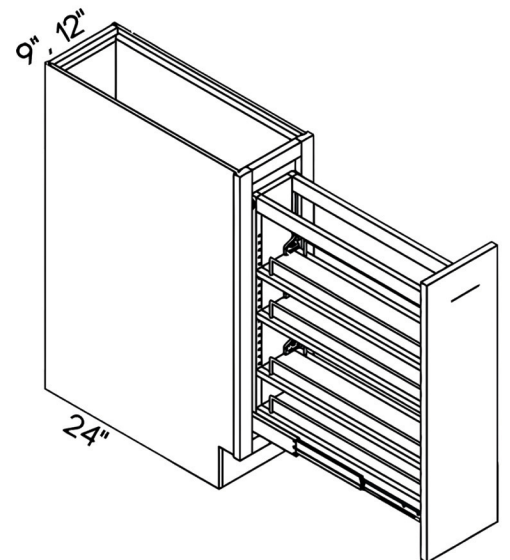
- No shelf, single false drawer front
- May also be used as drop-in cooktop base

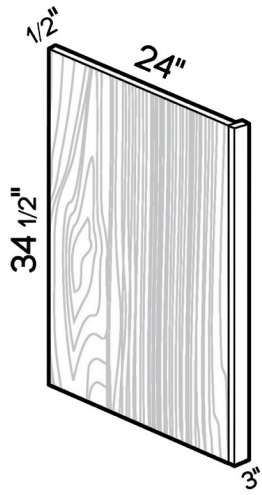
**SB24**  
**SB33**  
**SB36**  
**SB39**

**BSR 09**  
**BSR 12**

**24" DEEP BASE**  
**PANTRY PULLOUT**

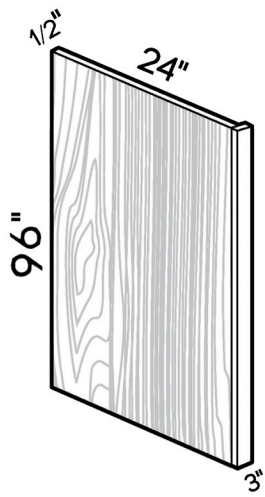
- Full extension ball bearing runners





**BASE END PANEL**  
- 3/16" thick laminated exterior,  
variable size.

**DWR3**



**BASE END PANEL**  
- 3/16" thick laminated exterior,  
variable size.

**RRP96**



# TALL



## CABINET CODING

standard

CABINET  
CODE  
**PC**

**18**  
WIDTH

**24**  
DEPTH

**96**  
HEIGHT

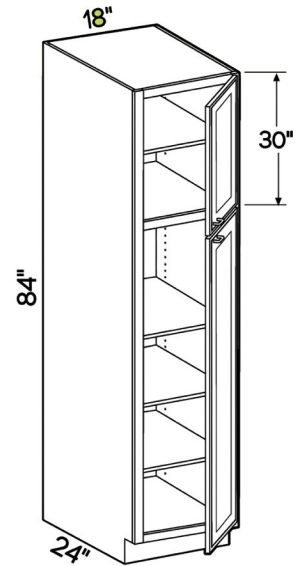
## NOTES

- Standard tall cabinets are 24" deep.
- Add door thickness for total cabinet depth.
- Products are available in all door styles and colors unless stated otherwise.
- Exposed sides require finished ends or matching end panels.

## PC1884

**18" WIDE AND 84" HIGH  
TWO DOOR UTILITY**  
- Two fixed shelves and four  
adjustable shelves

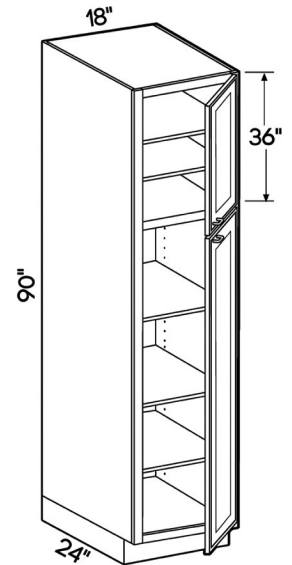
\* Two fixed shelves and four  
adjustable rollout trays



## PC1890

**18" WIDE AND 90" HIGH  
TWO DOOR UTILITY**  
- Two fixed shelves and five  
adjustable shelves

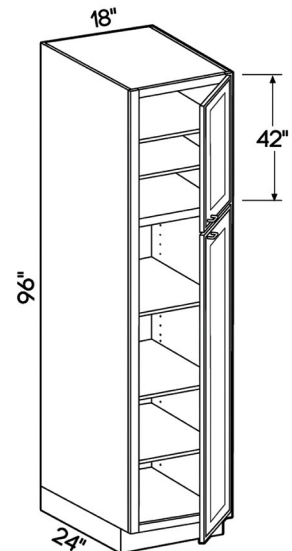
\* Two fixed shelves and four  
adjustable rollout trays

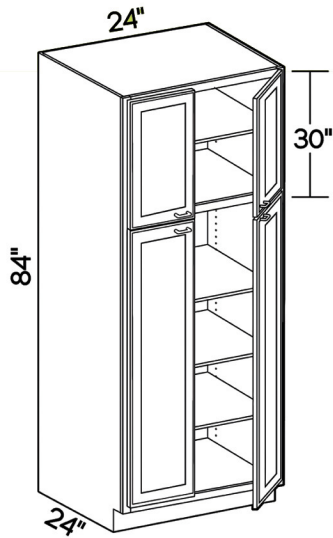


## PC1896

**18" WIDE AND 96" HIGH  
TWO DOOR UTILITY**  
- Two fixed shelves and five  
adjustable shelves

\* Two fixed shelves and four  
adjustable rollout trays

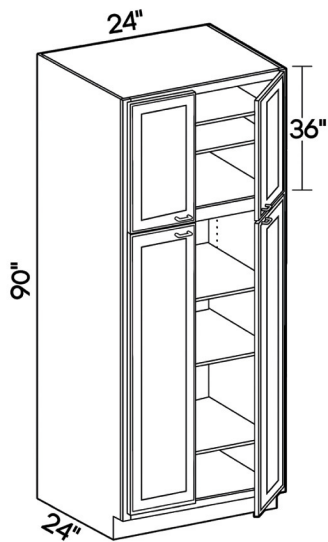




**24" WIDE AND 84" HIGH  
FOUR DOOR UTILITY**  
- Two fixed shelves and four  
adjustable shelves

\* Two fixed shelves and four  
adjustable rollout trays

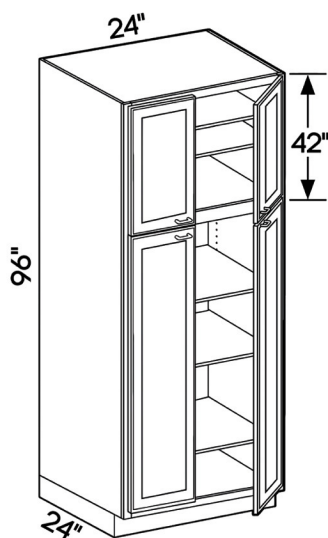
**PC2484  
PC3084  
PC3684**



**24" WIDE AND 90" HIGH  
FOUR DOOR UTILITY**  
- Two fixed shelves and five  
adjustable shelves

\* Two fixed shelves and four  
adjustable rollout trays

**PC2490  
PC3090  
PC3690**



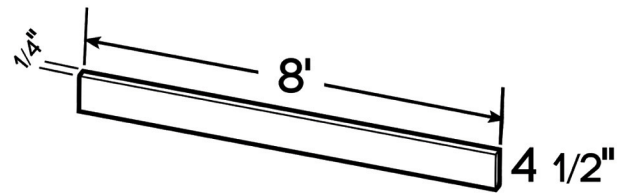
**24" WIDE AND 96" HIGH  
FOUR DOOR UTILITY**  
- Two fixed shelves and five  
adjustable shelves

\* Two fixed shelves and four  
adjustable rollout trays

**PC2496  
PC3096  
PC3696**

**TK8**

**MATCHING TOE KICK**  
- 1/4" thick wood veneer

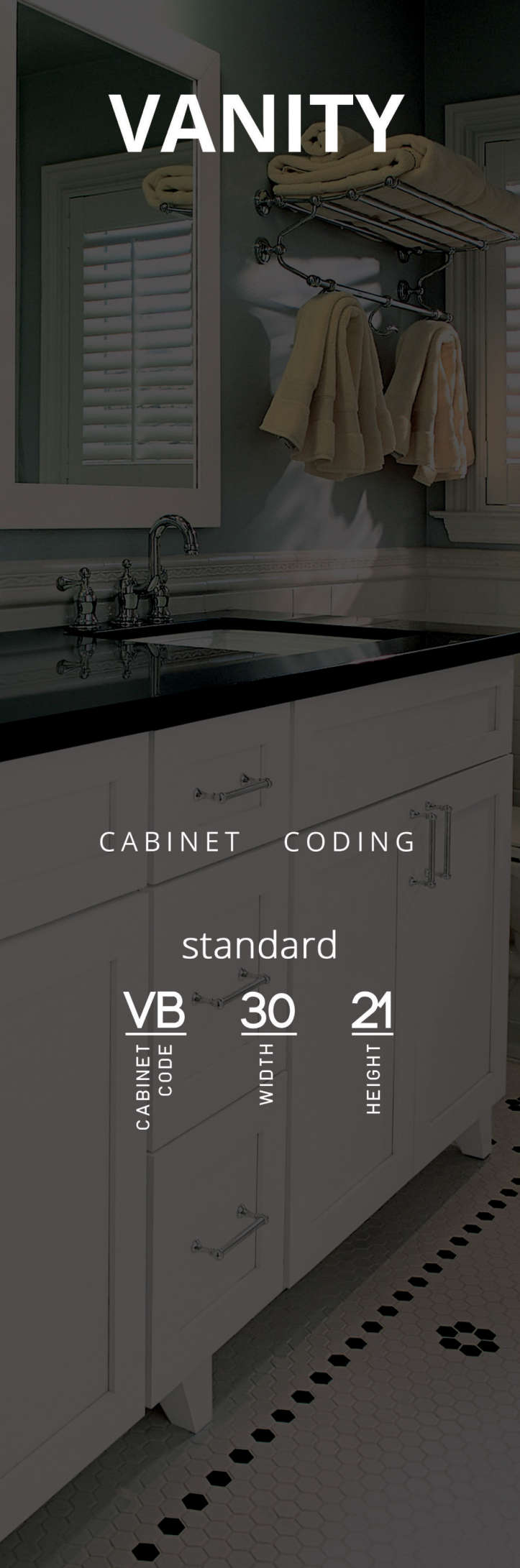


23.27" X 34.5"  
11.26" X 42"

**12" WIDE WALL SKIN**  
- 3/16" thick laminated  
matching exterior

**BSV 42**  
**WSV 42**

# VANITY



## CABINET CODING

standard

VB

CABINET  
CODE

30

WIDTH

21

HEIGHT



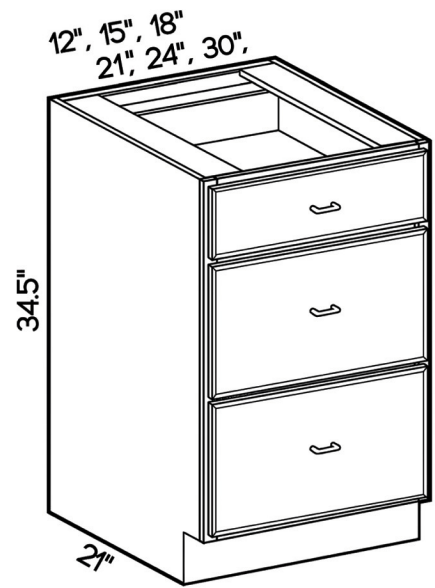
## NOTES

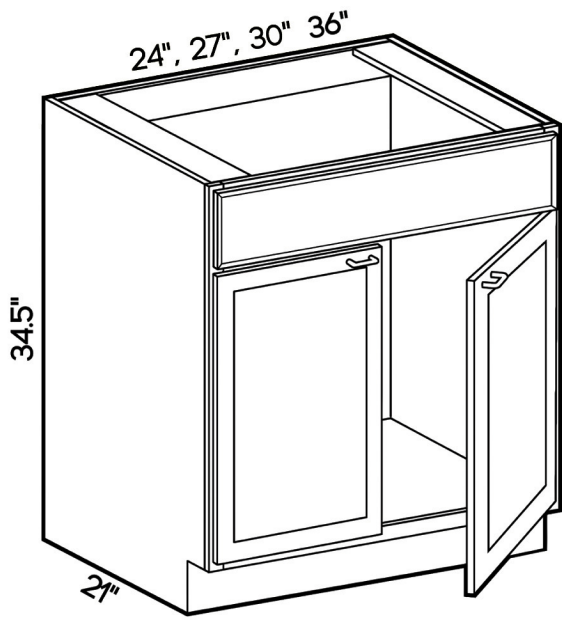
- Standard vanity cabinets are 21" deep and 34.5" high
- Add door thickness for total cabinet depth.
- Products are available in all door styles and colors unless stated otherwise.
- Exposed sides require finished ends or matching end panels.

VDB12-3  
VDB15-3  
VDB18-3  
VDB21-3  
VDB24-3  
VDB30-3

**21" DEEP BASE DRAWER**

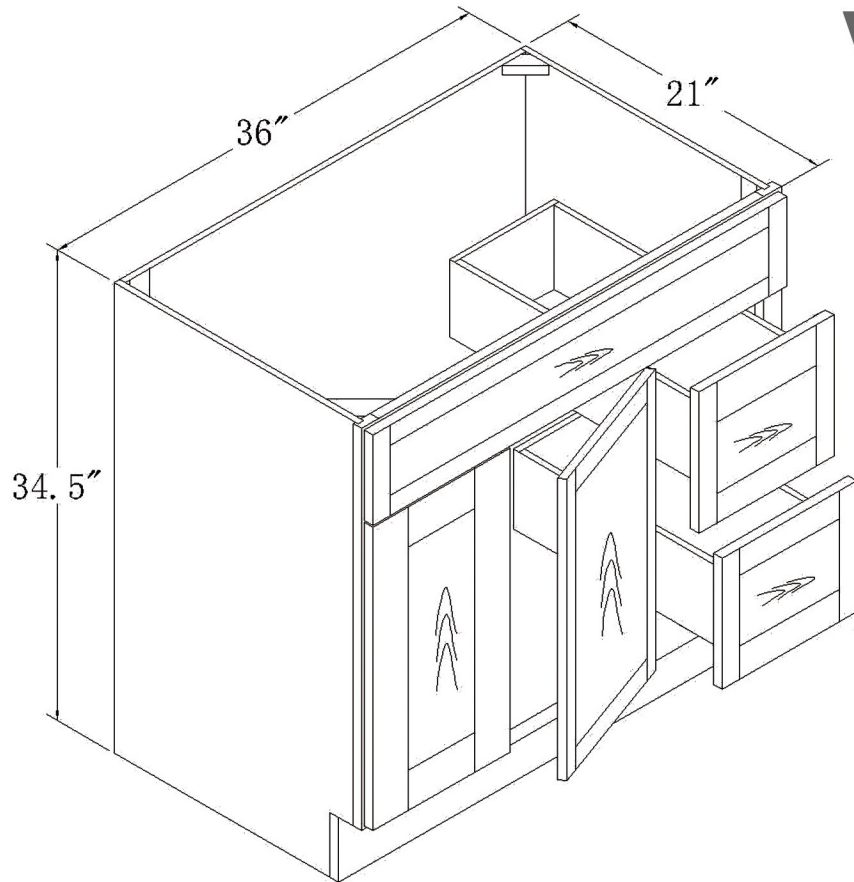
- One standard drawer
- Two deep drawers



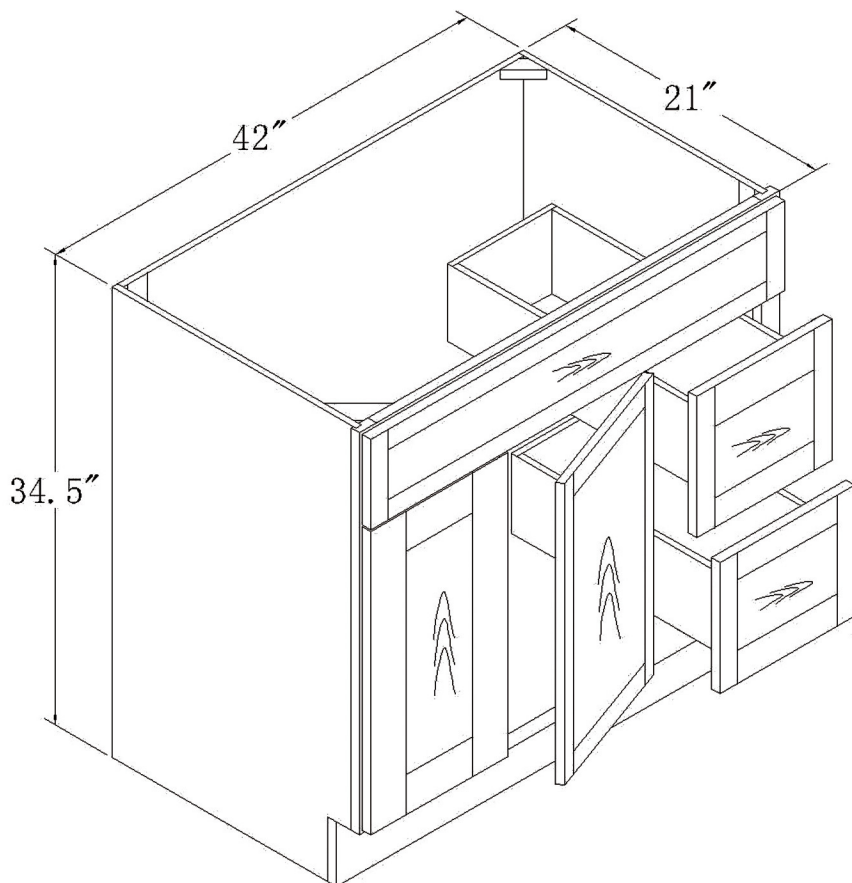


**21" DEEP SINK BASE**  
- One false drawer front

**V2421**  
**V2721**  
**V3021**  
**V3621**



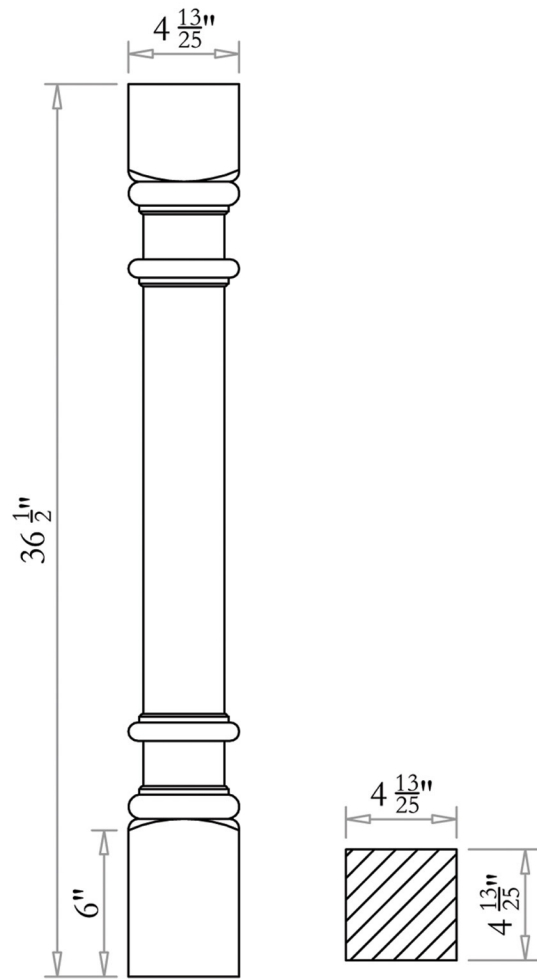
**VSD3621-R**



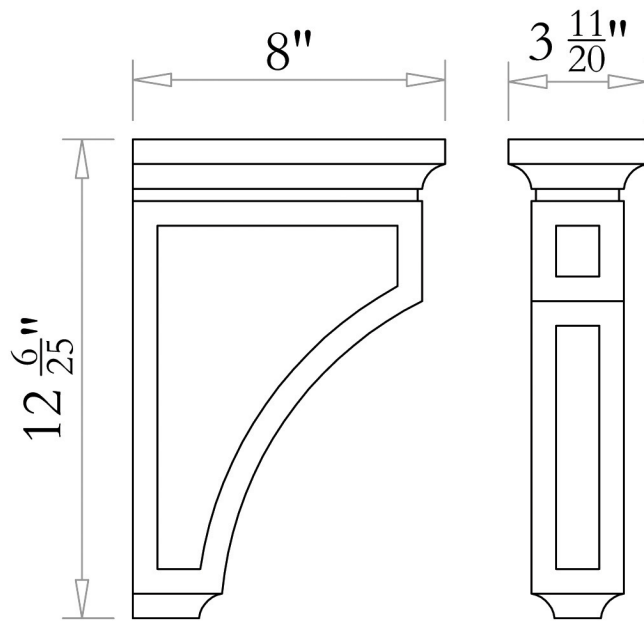
**VSD4221-R**



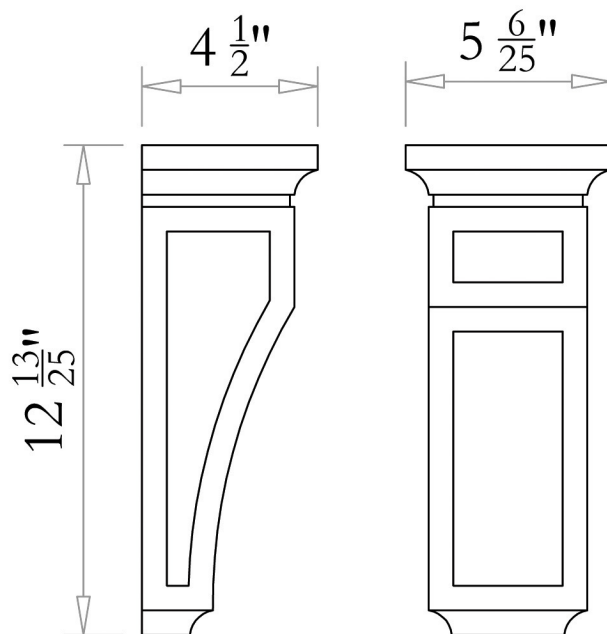
SPL

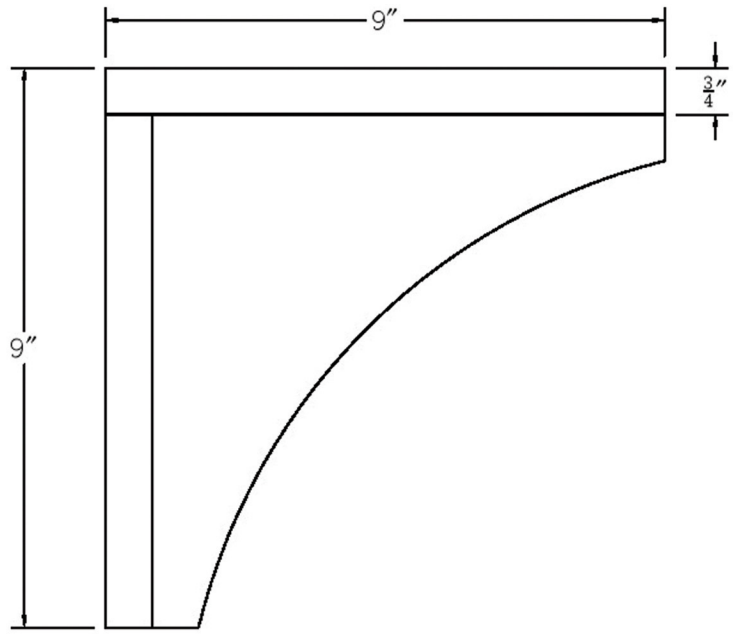


**CBL21**

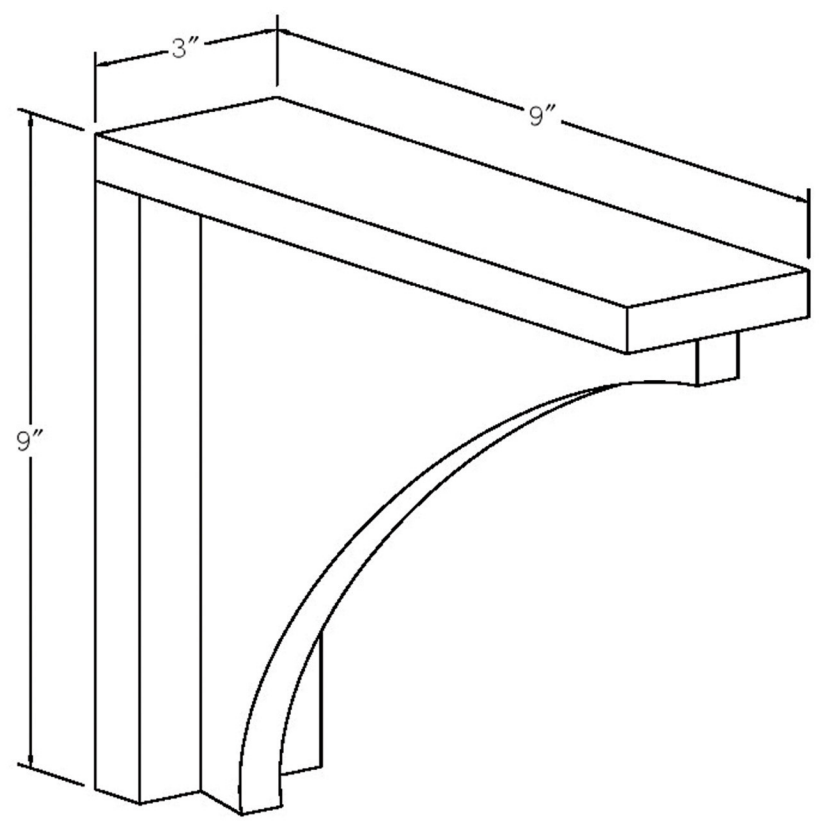


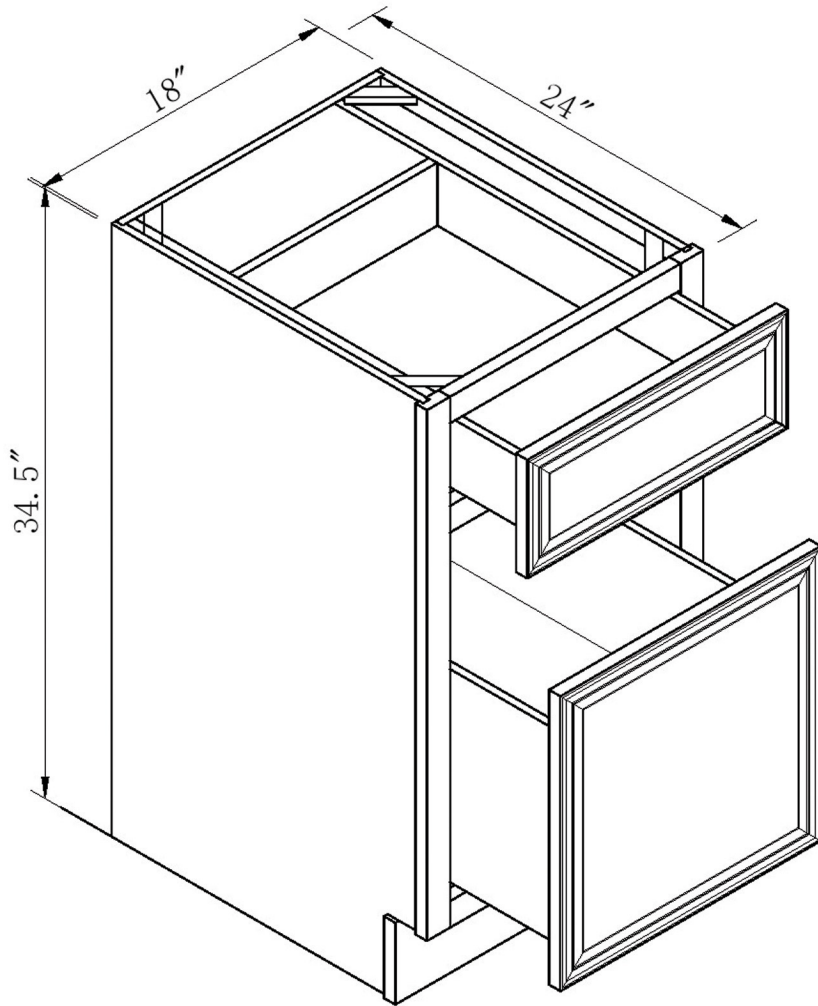
**CBL11**



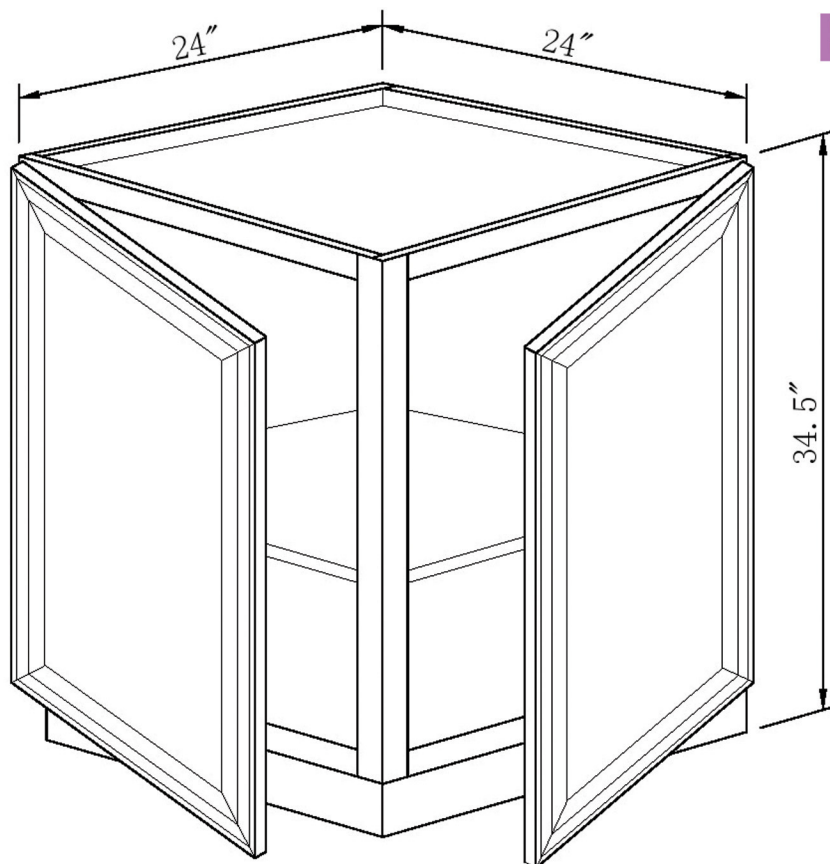


**CB9\*9**

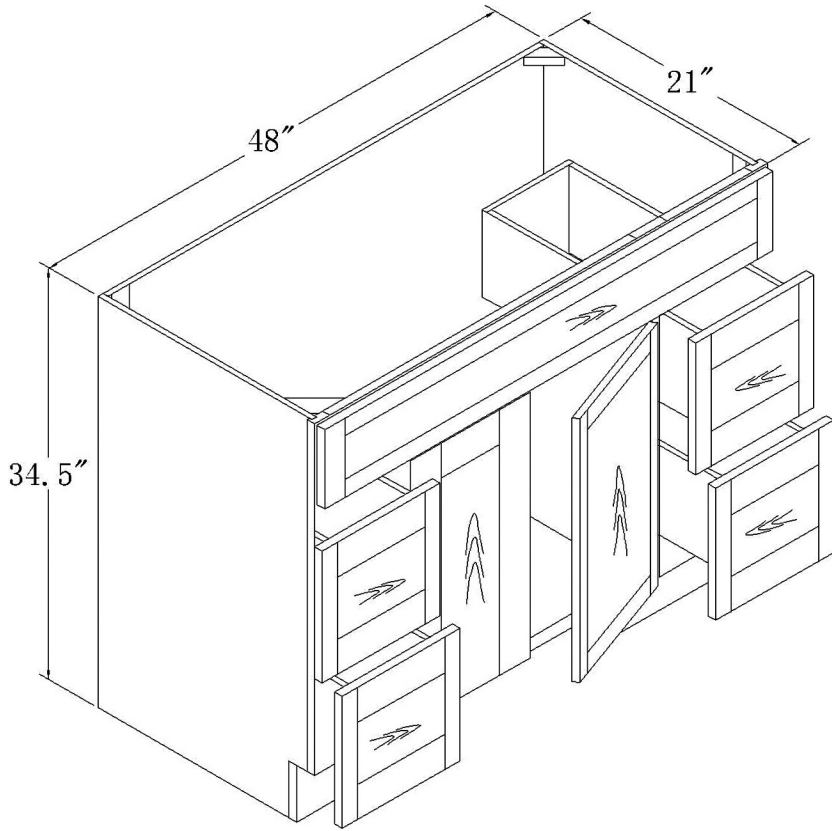




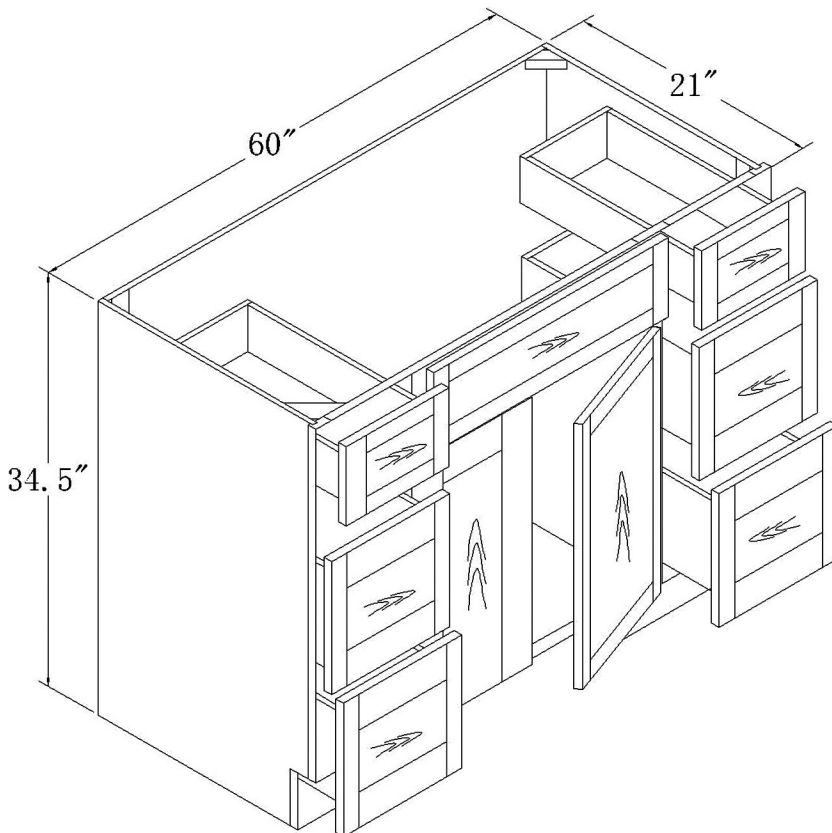
**FD18**



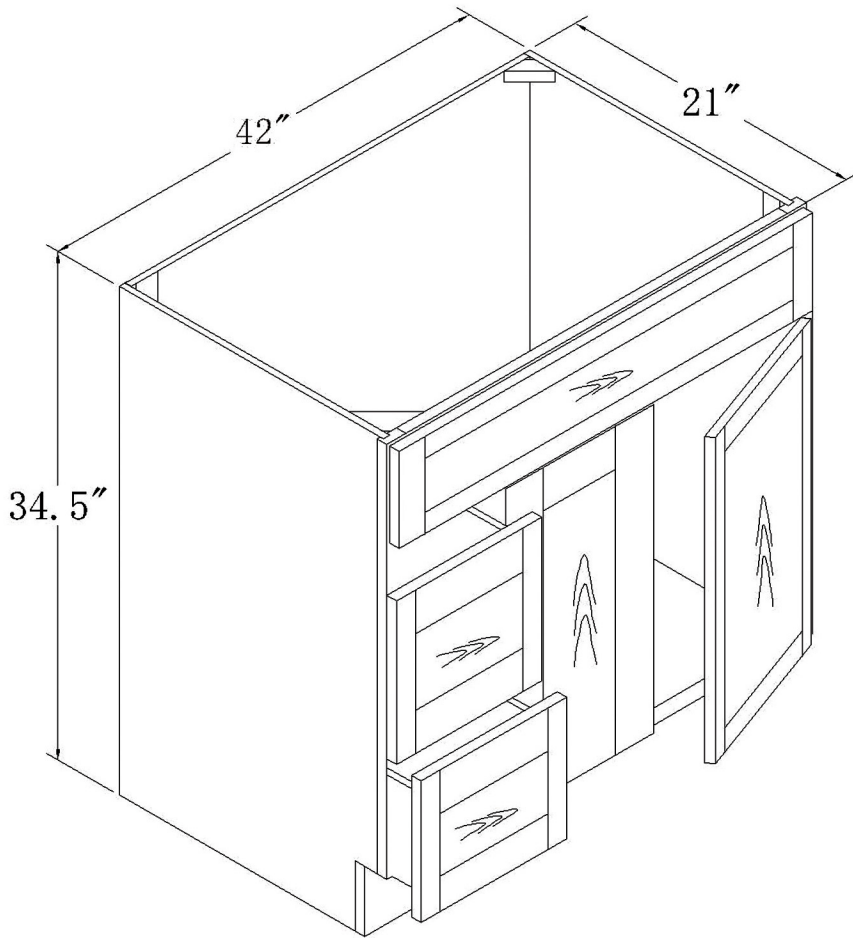
**BRA24**



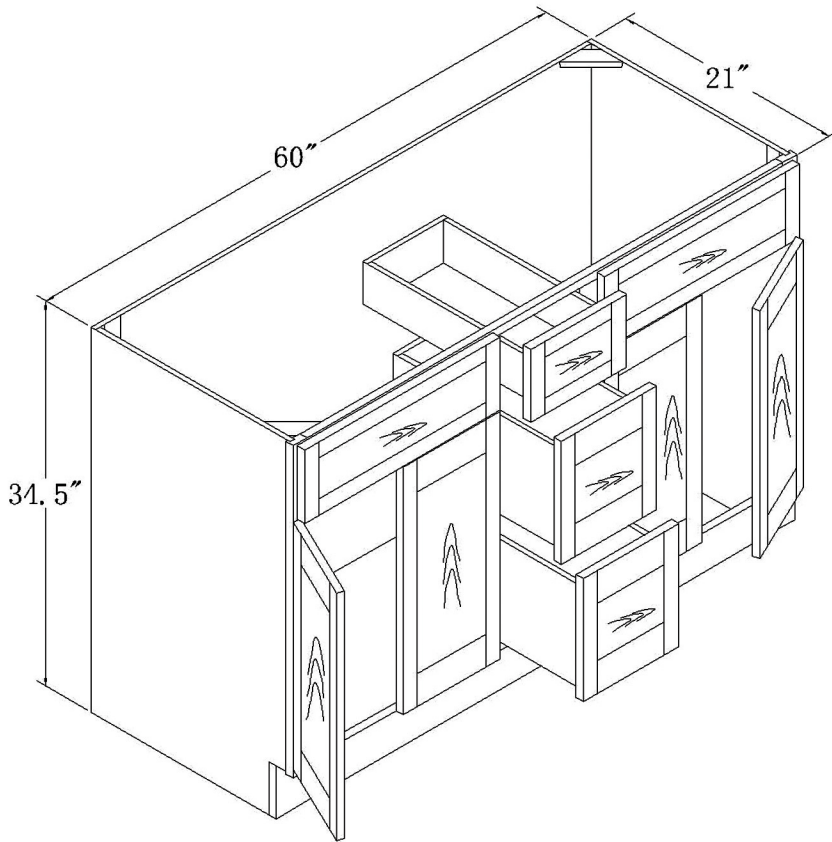
**VSD4821D**



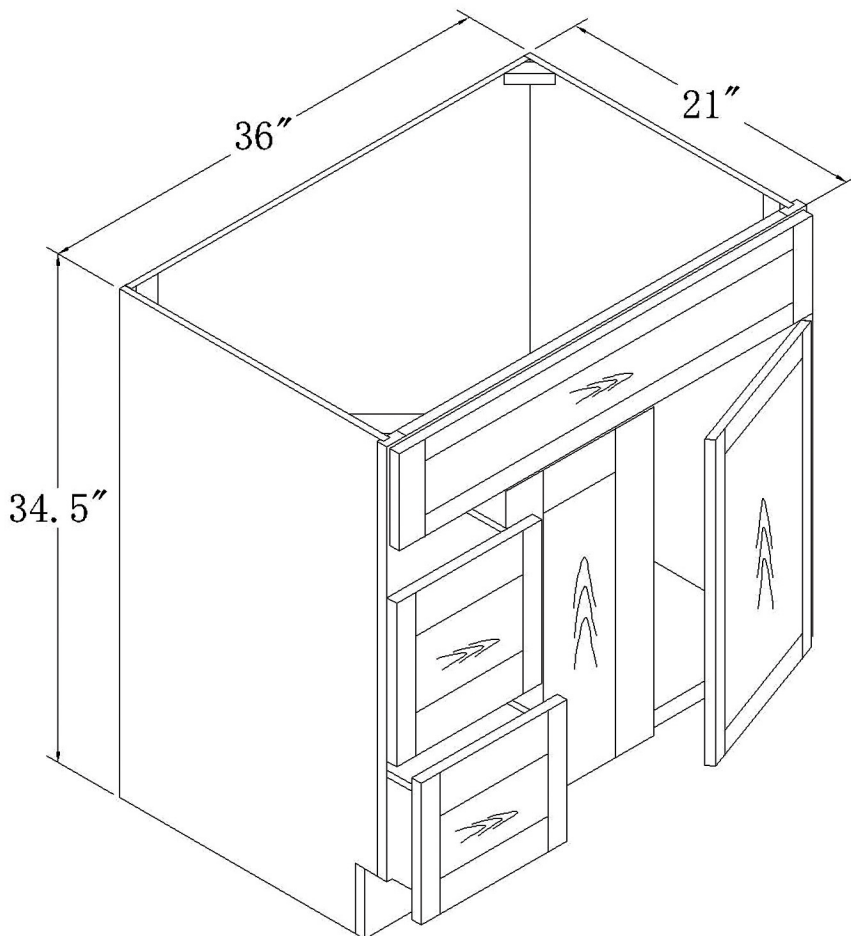
**VSD6021D**



**VSD4221-L**



**VSD6021DD**



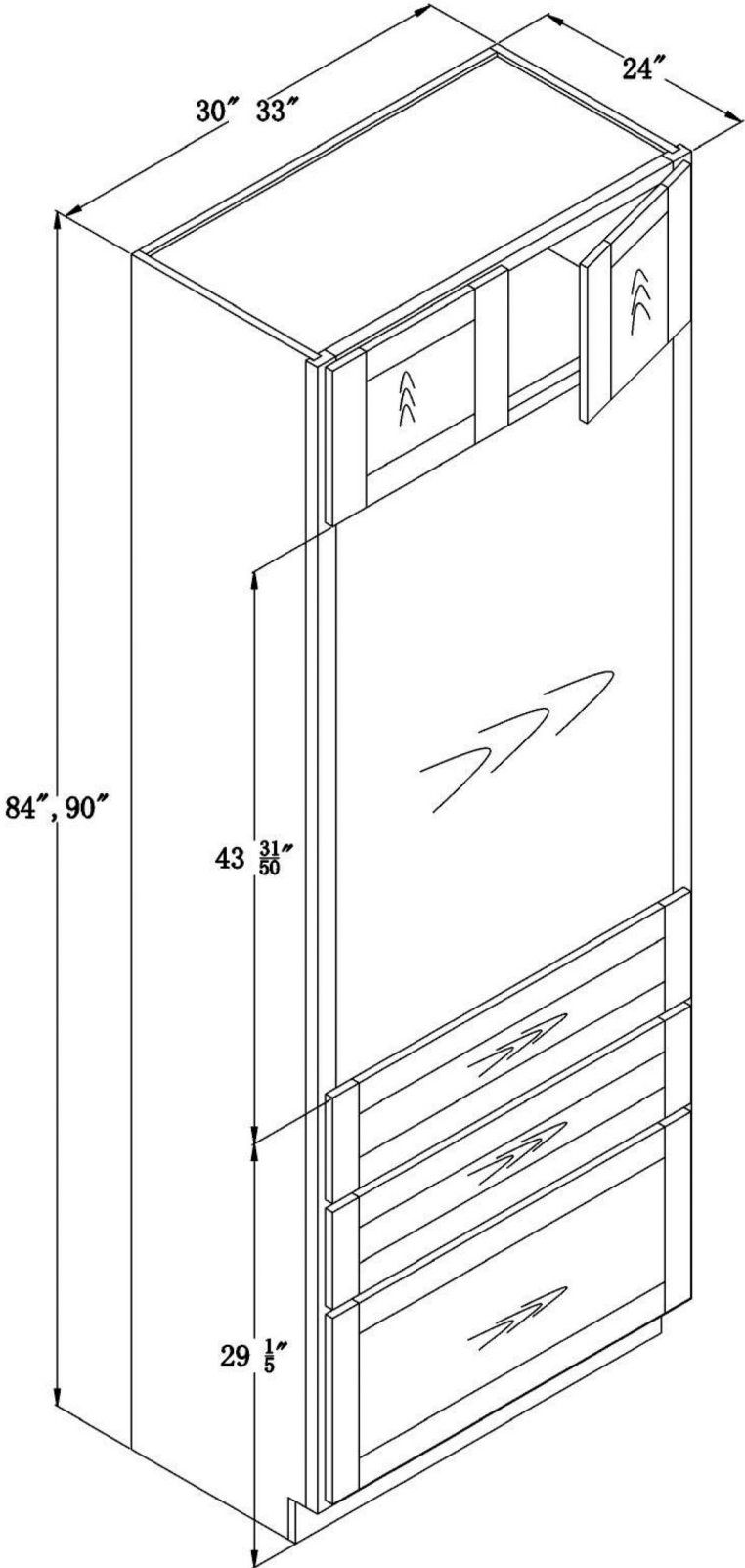
**VSD3621-L**

**OC3084**

**OC3384**

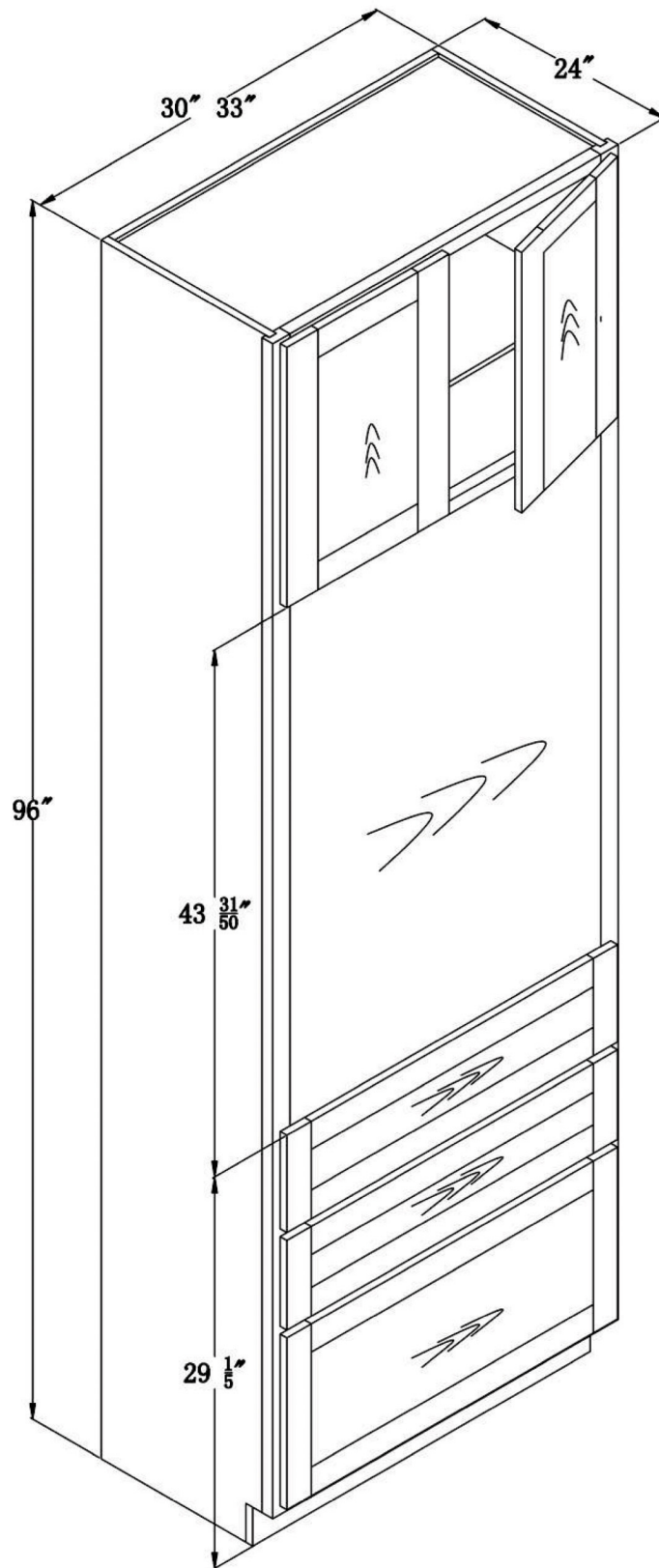
**OC3090**

**OC3390**

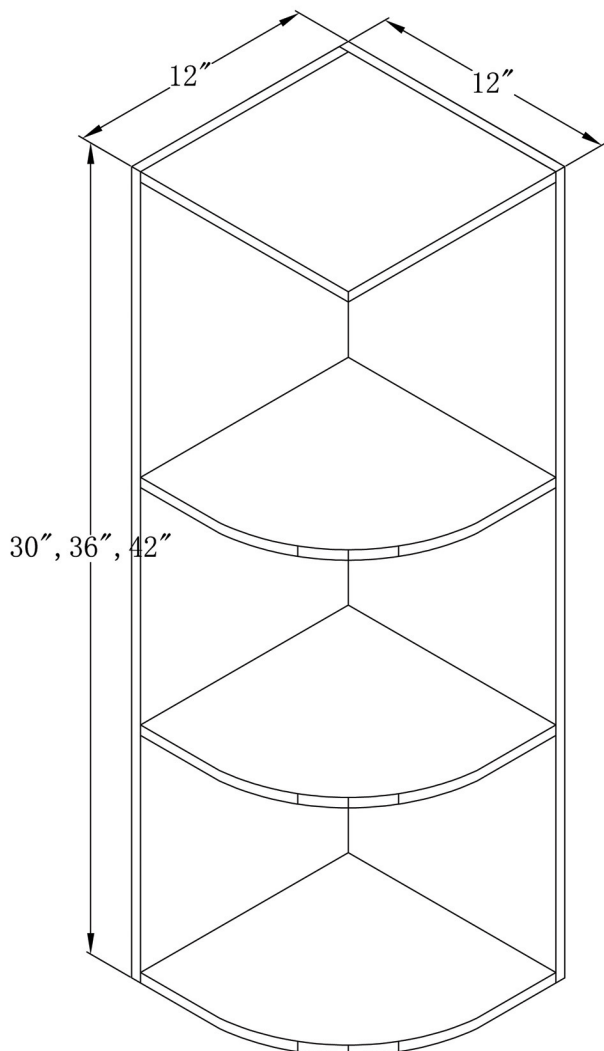
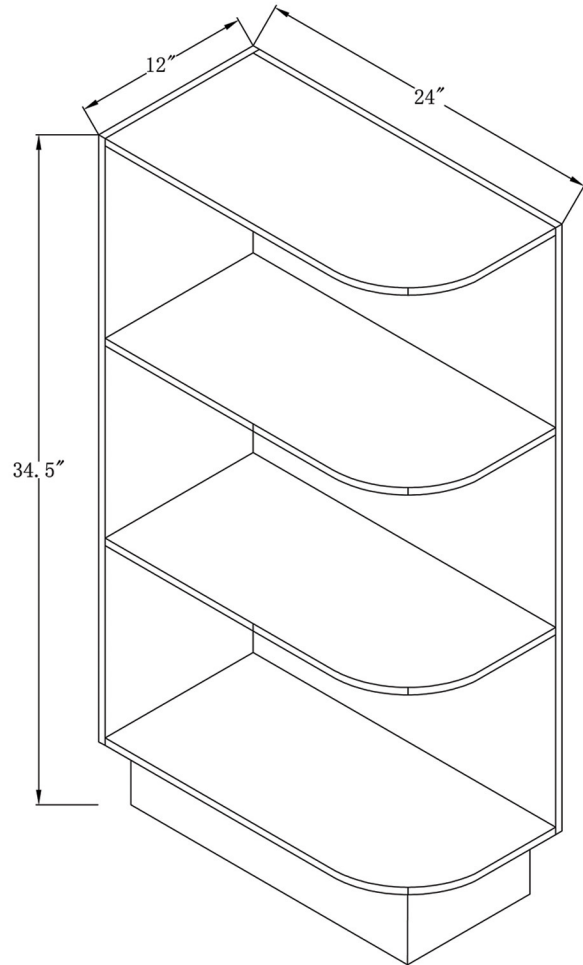




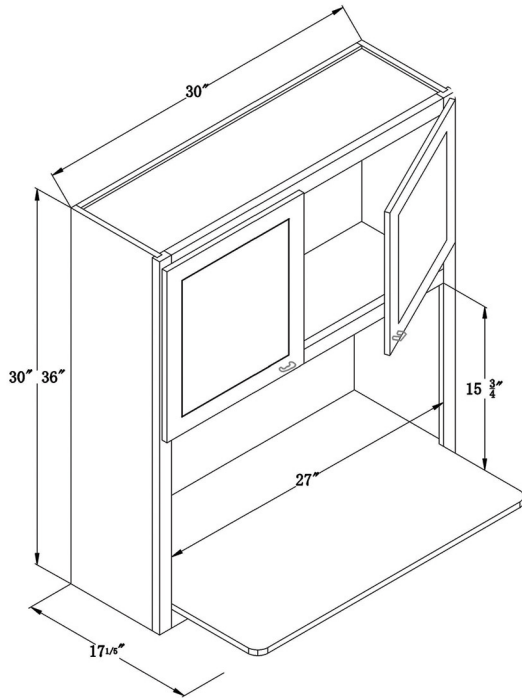
**OC3096**  
**OC3396**



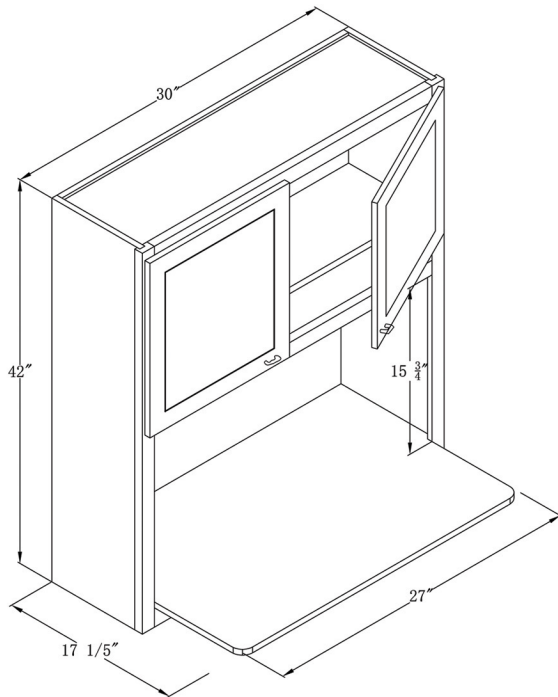
**BES12**



**WES1230K**  
**WES1236K**  
**WES1242K**

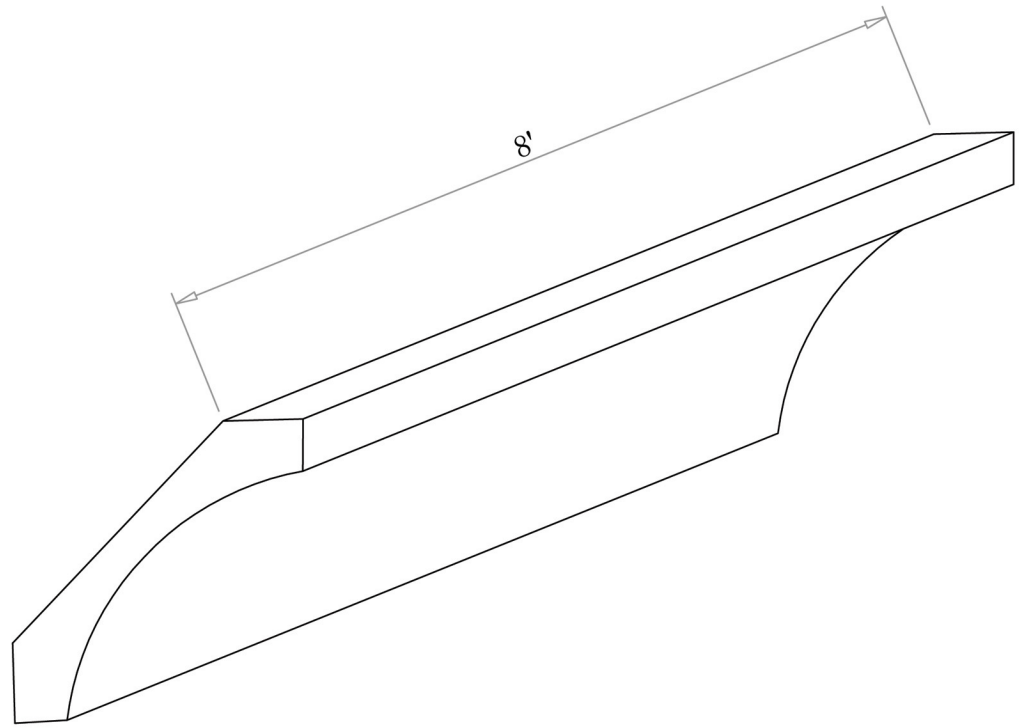
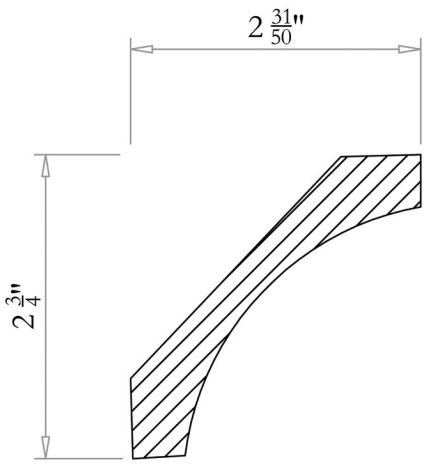


**WMC303012**  
**WMC303612**

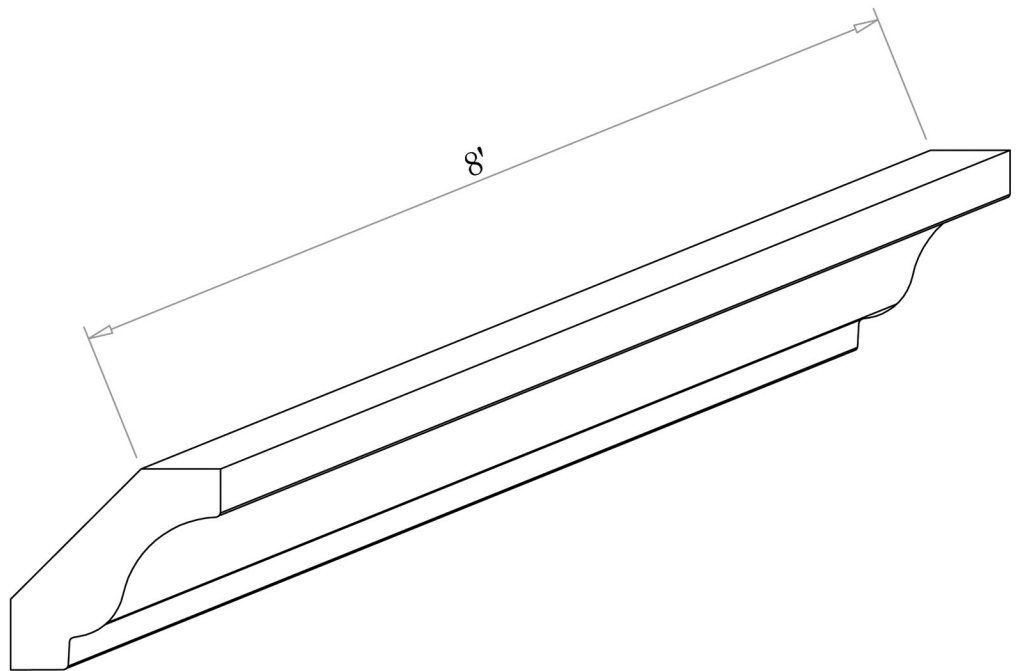
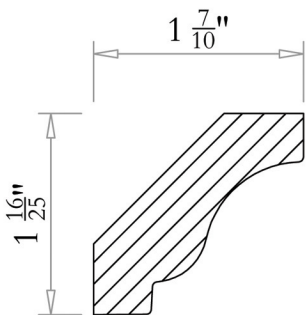


**WMC304212**

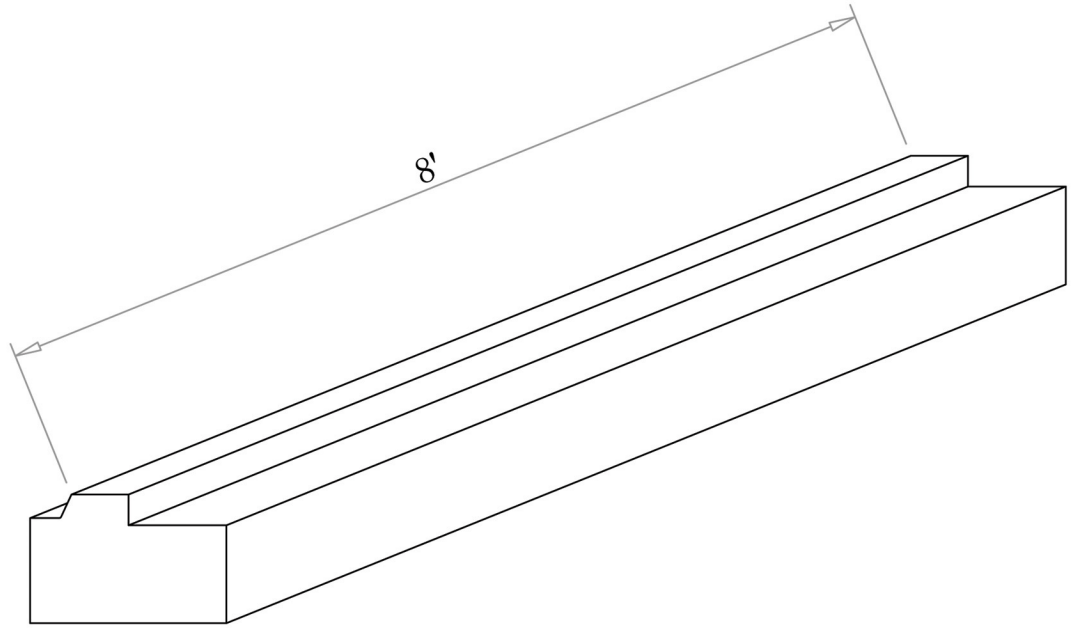
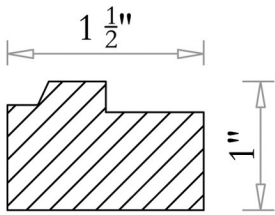
# CM4



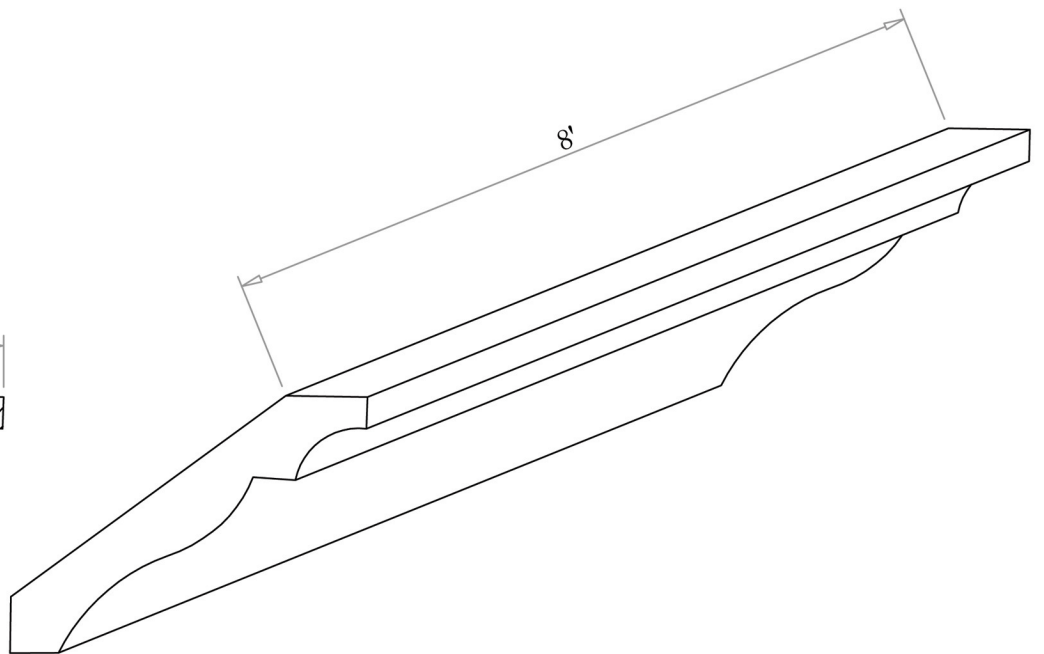
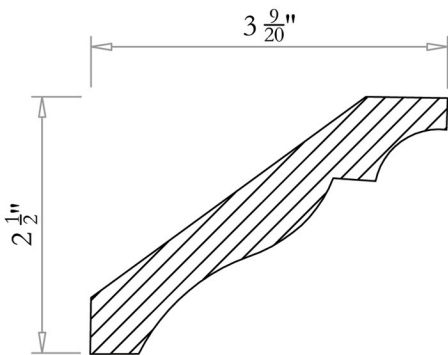
# CM1 $\frac{8}{5}$ "



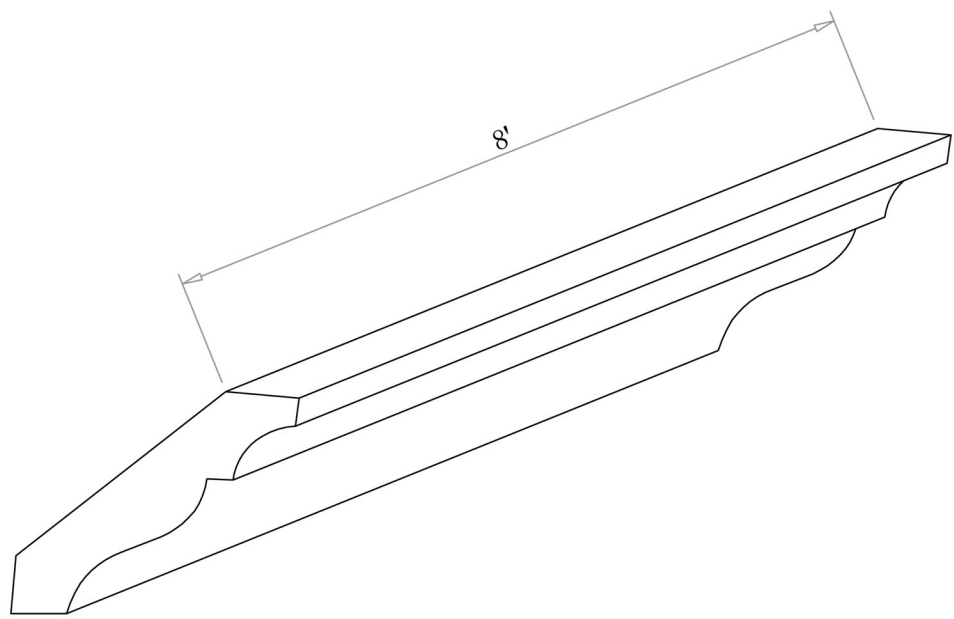
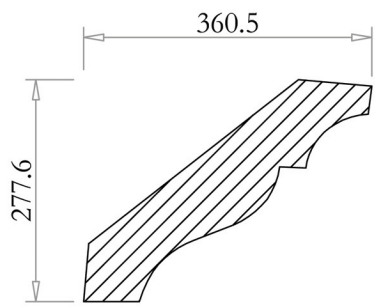
# LRM8



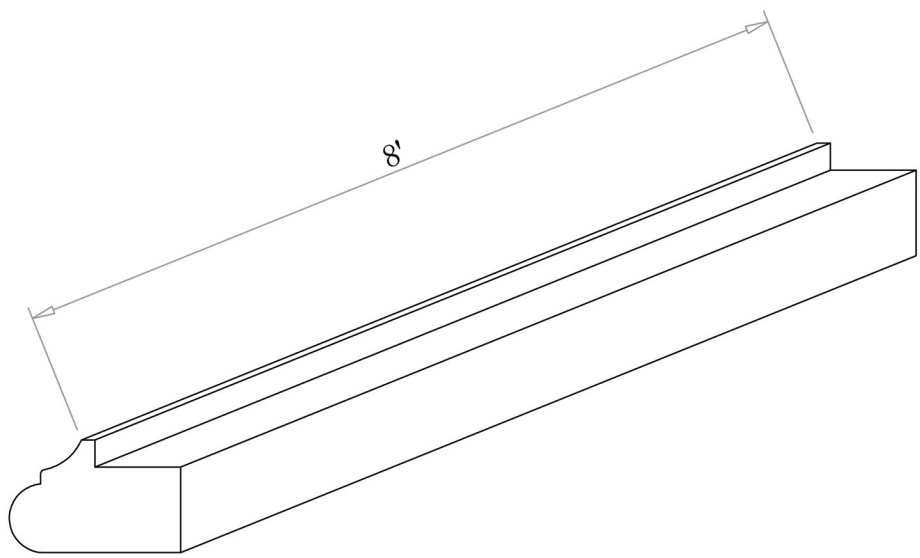
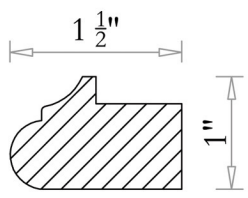
# CM4R



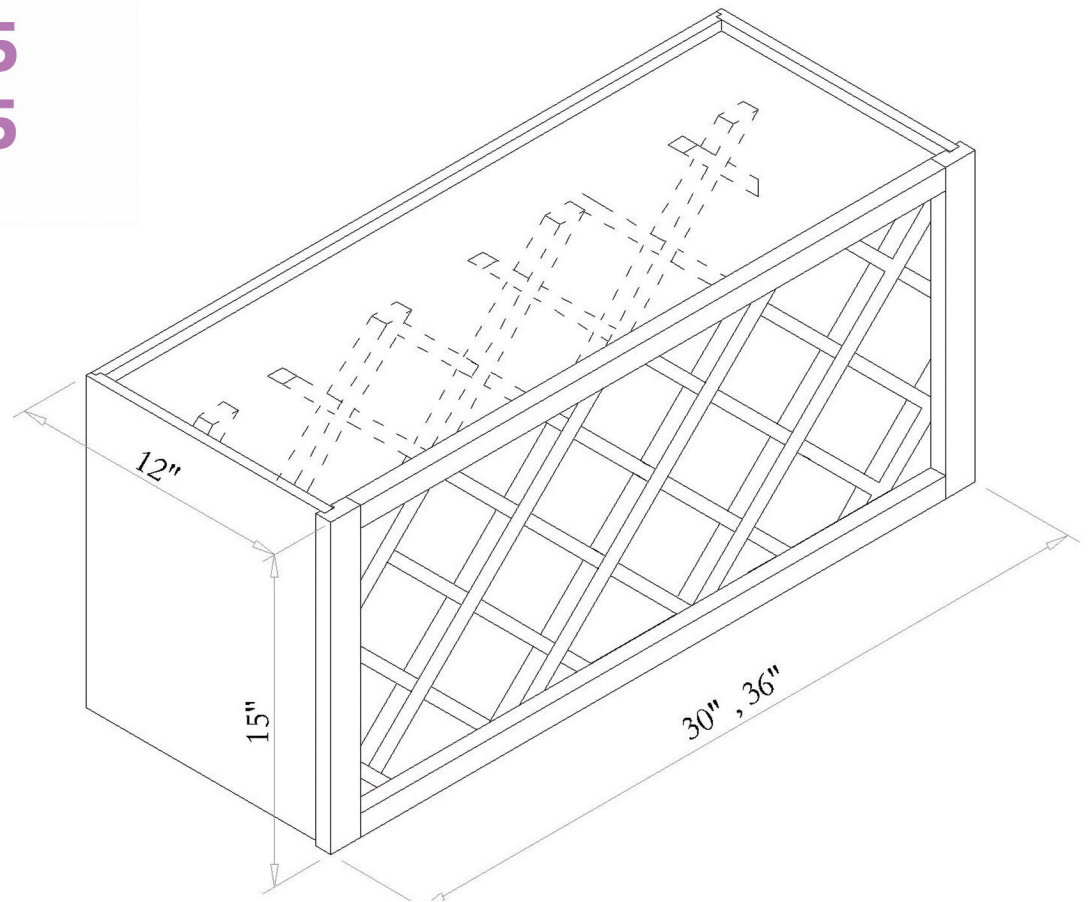
# CM2 1/2



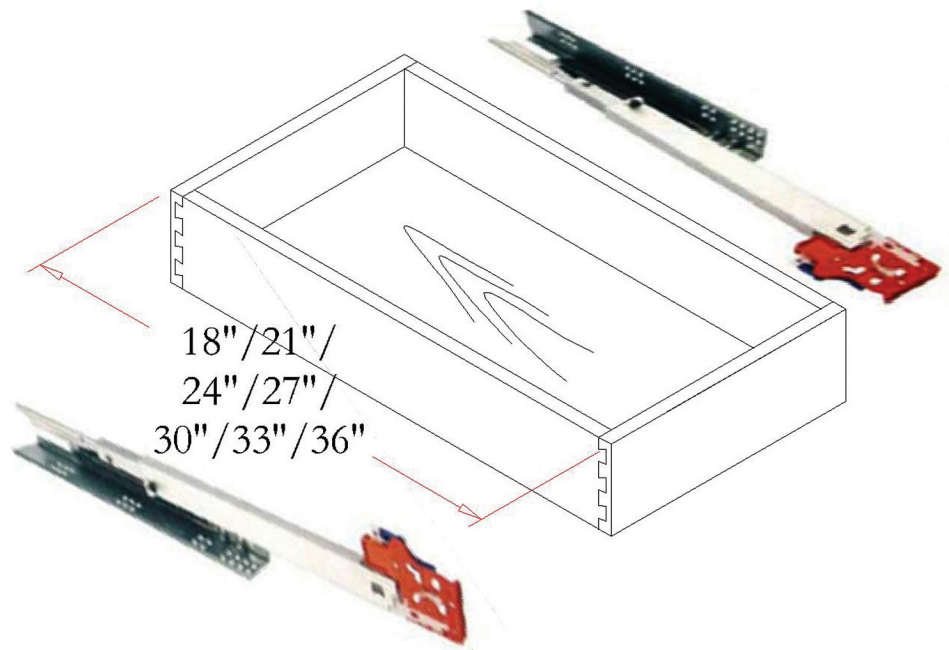
# LRM8S

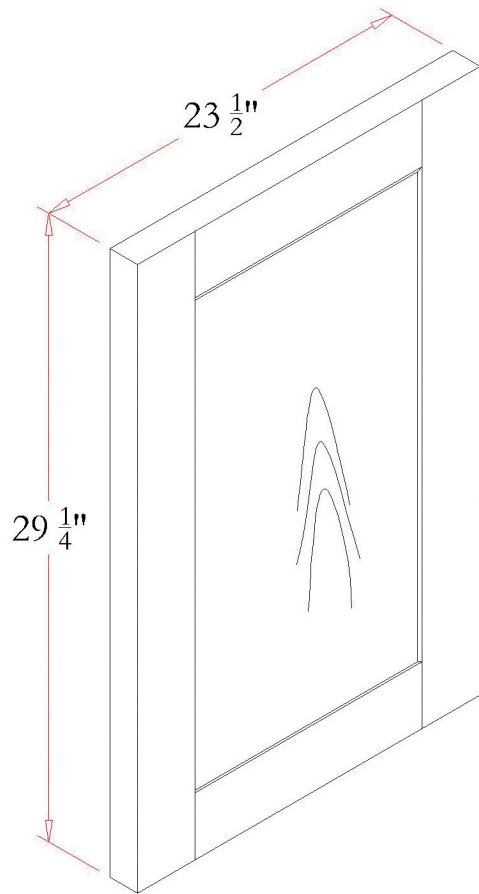


**WR3015**  
**WR3615**

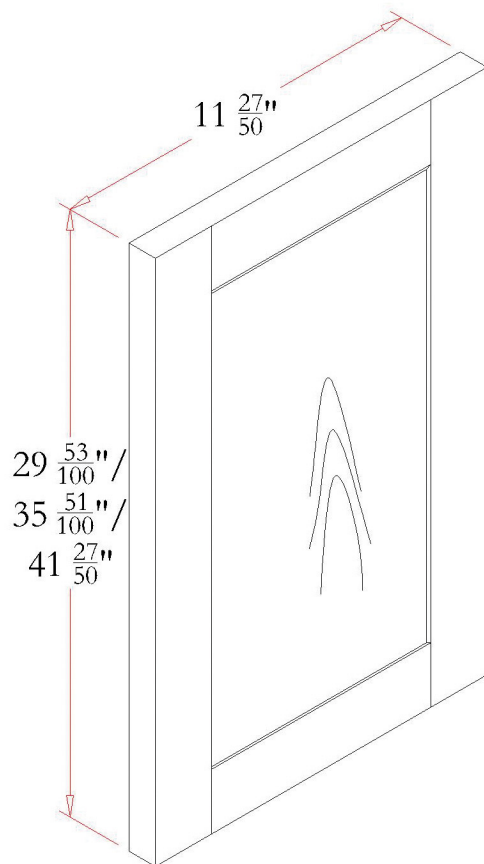


**ROT18**  
**ROT12**  
**ROT24**  
**ROT27**  
**ROT30**  
**ROT33**  
**ROT36**



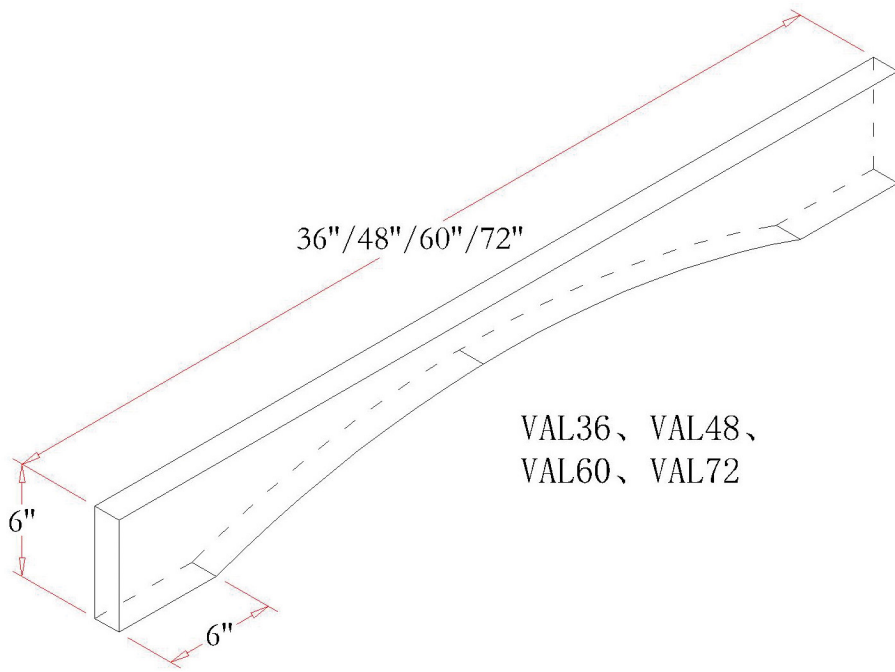


**MWEP2430**



**MWEP1230**  
**MWEP1236**  
**MWEP1240**

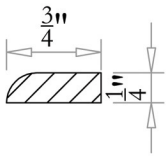
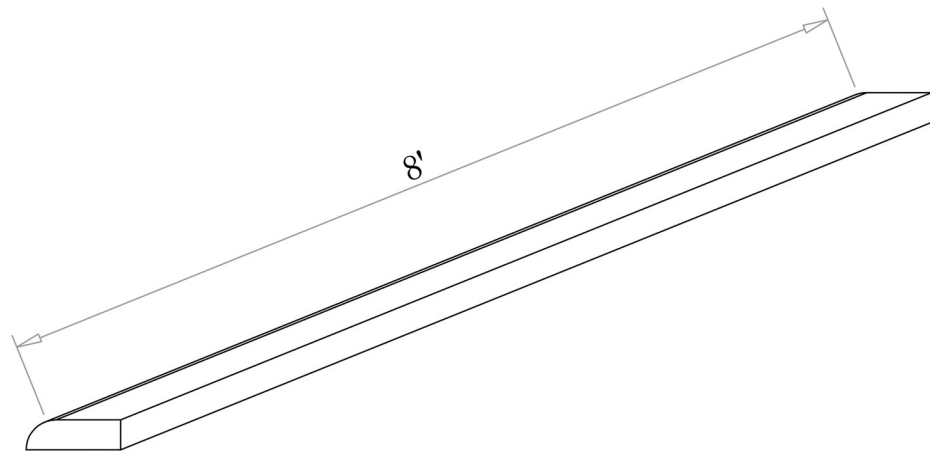




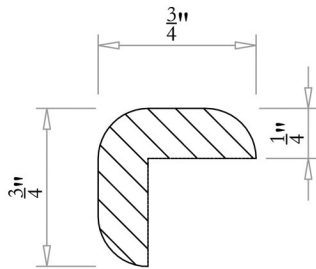
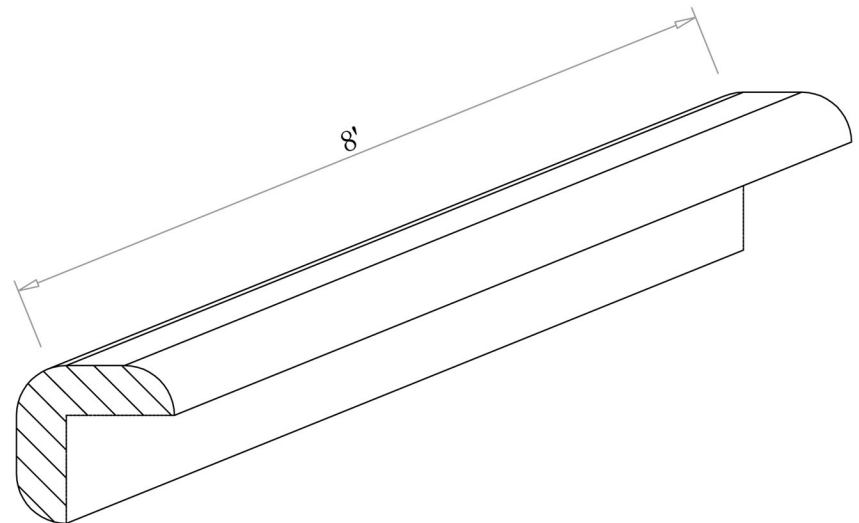
**VAL36**  
**VAL48**  
**VAL60**  
**VAL72**

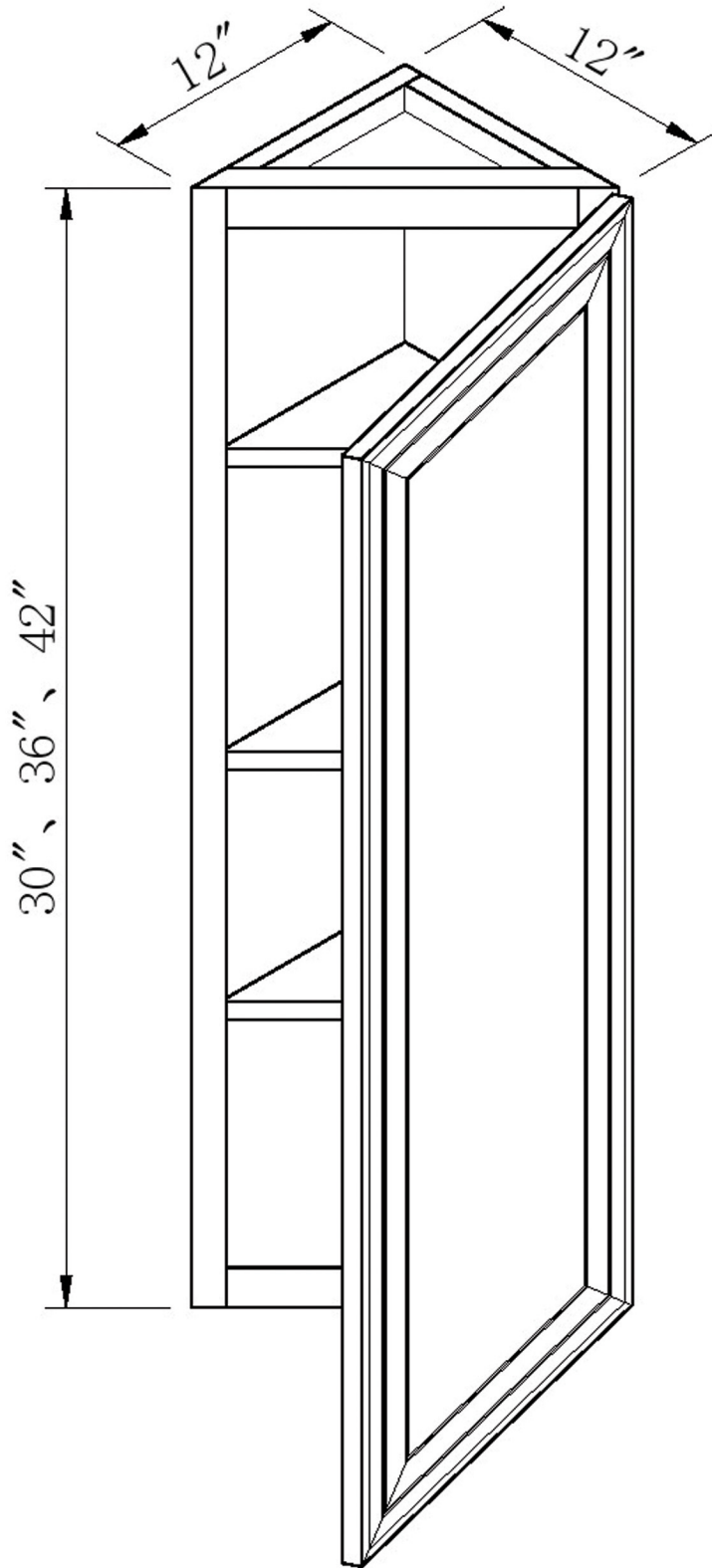
VAL36、VAL48、  
 VAL60、VAL72

**SM8**



**OCM8**



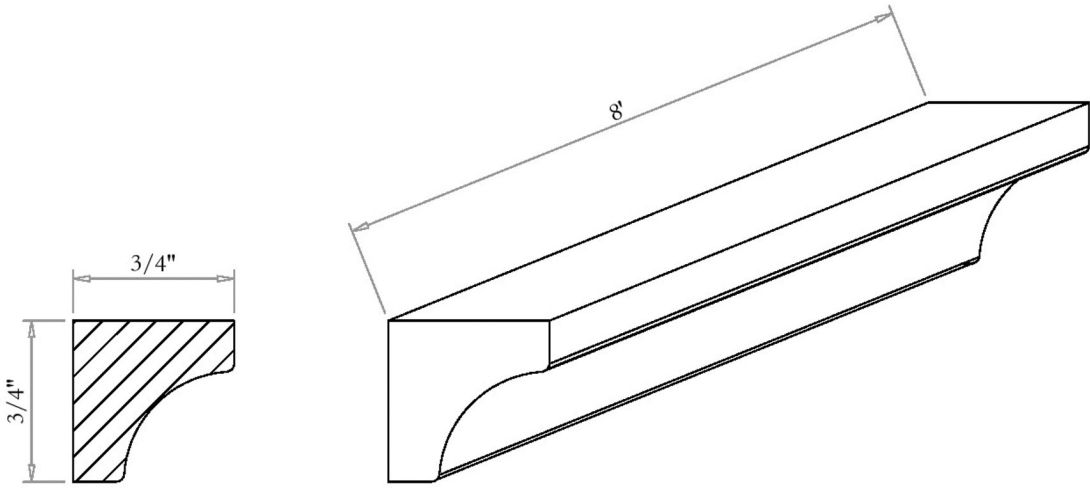


**AW1230**

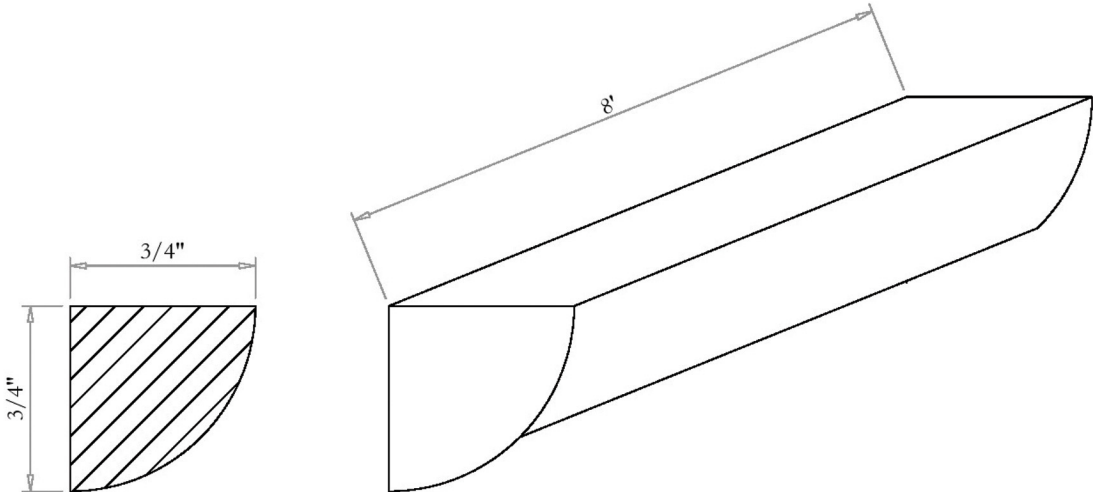
**AW1236**

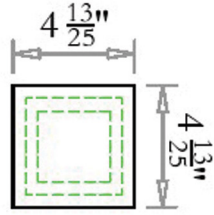
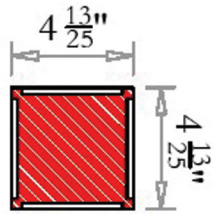
**AW1242**

# ICM8



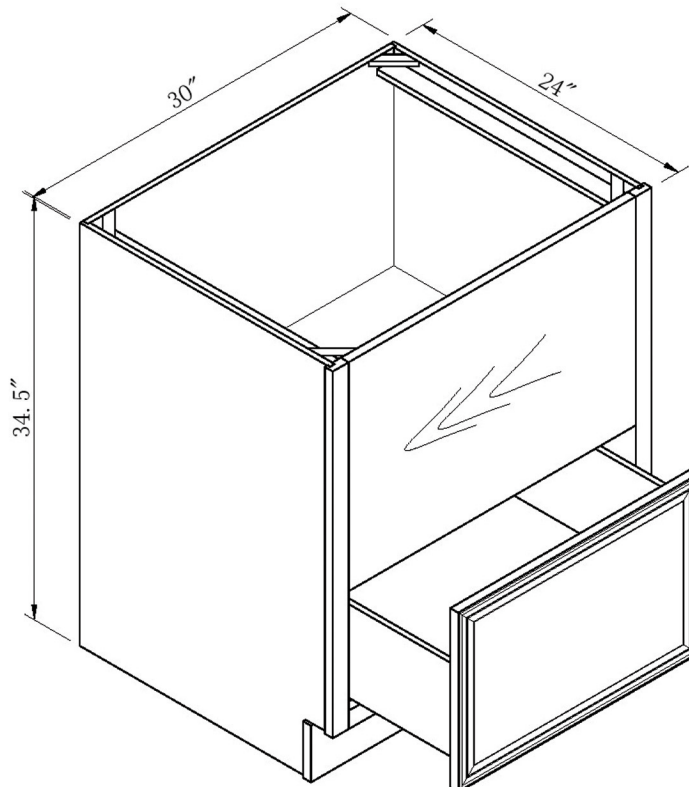
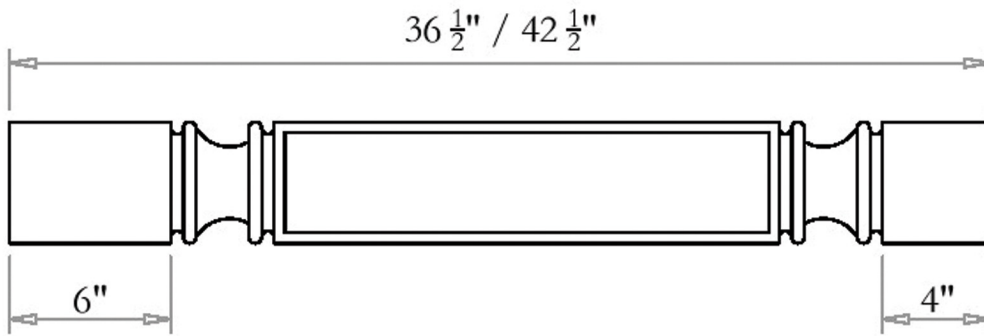
# QRM



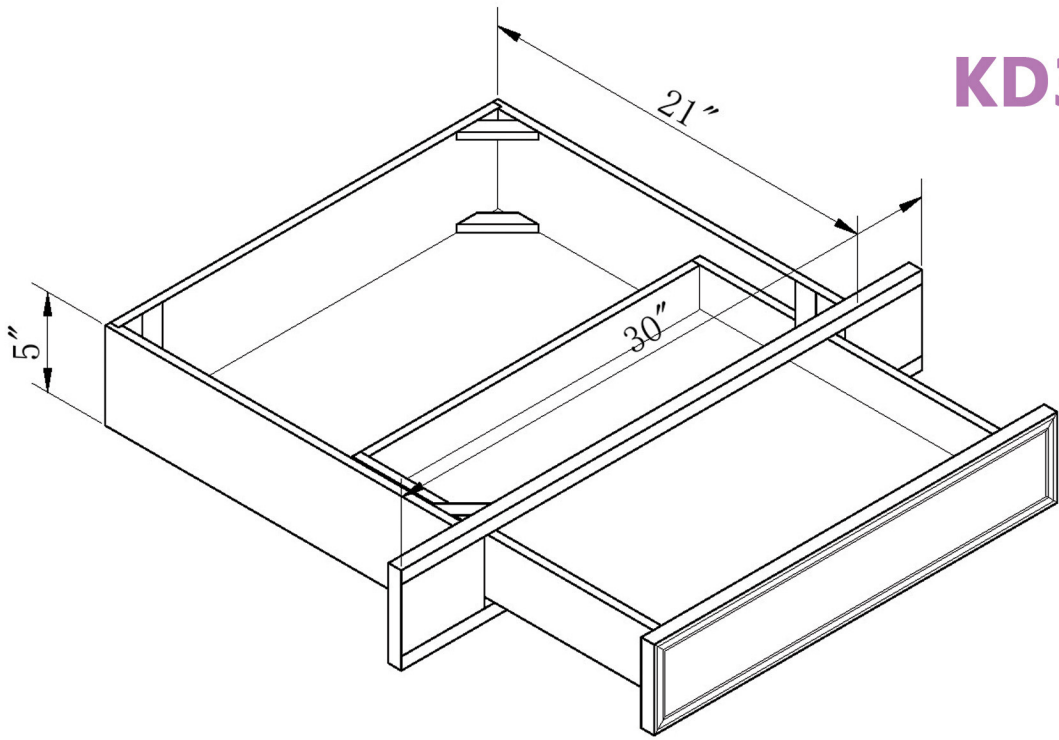


**SPL36**

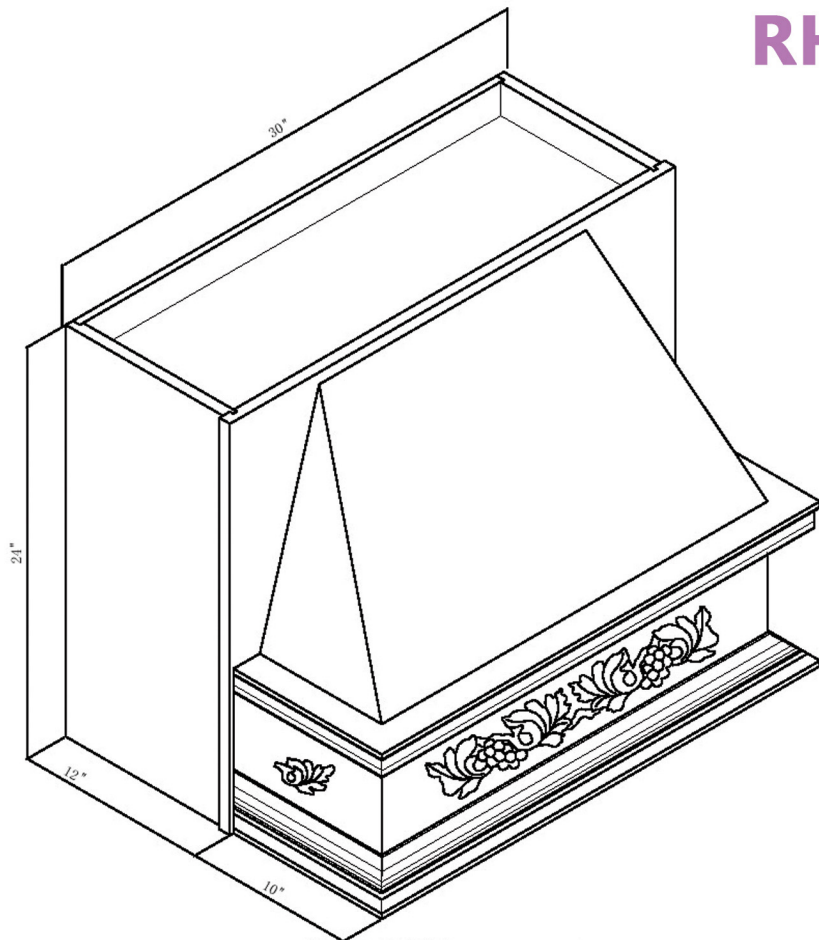
**SPL42**



**MB30**

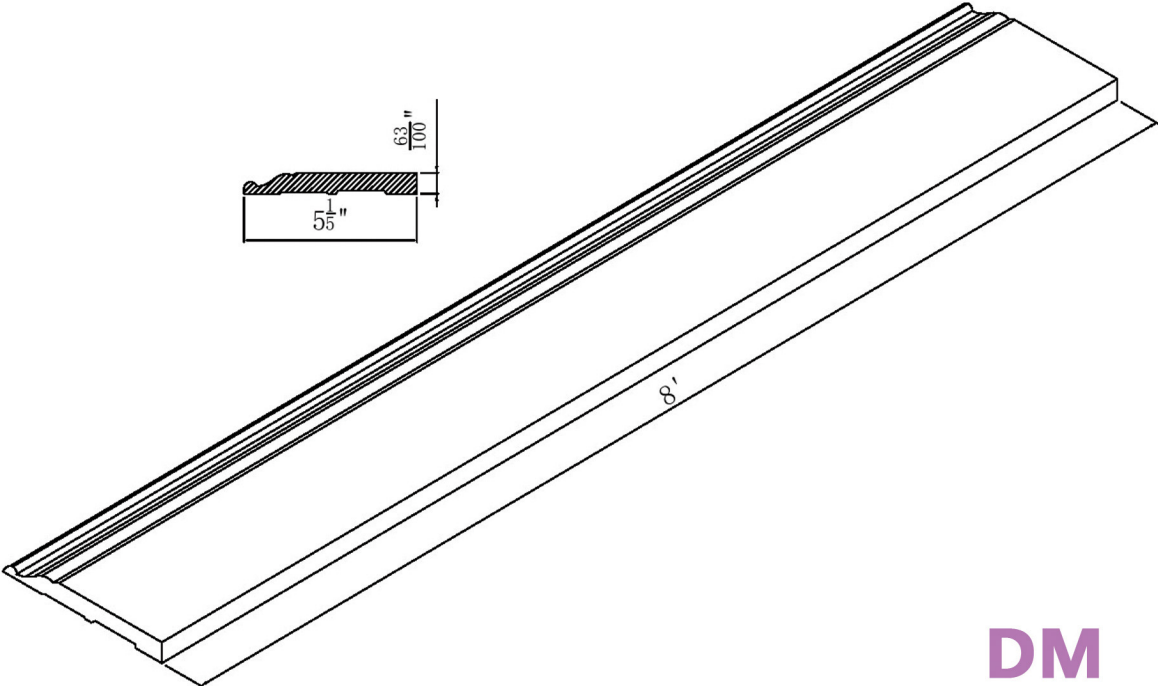


**KD30**

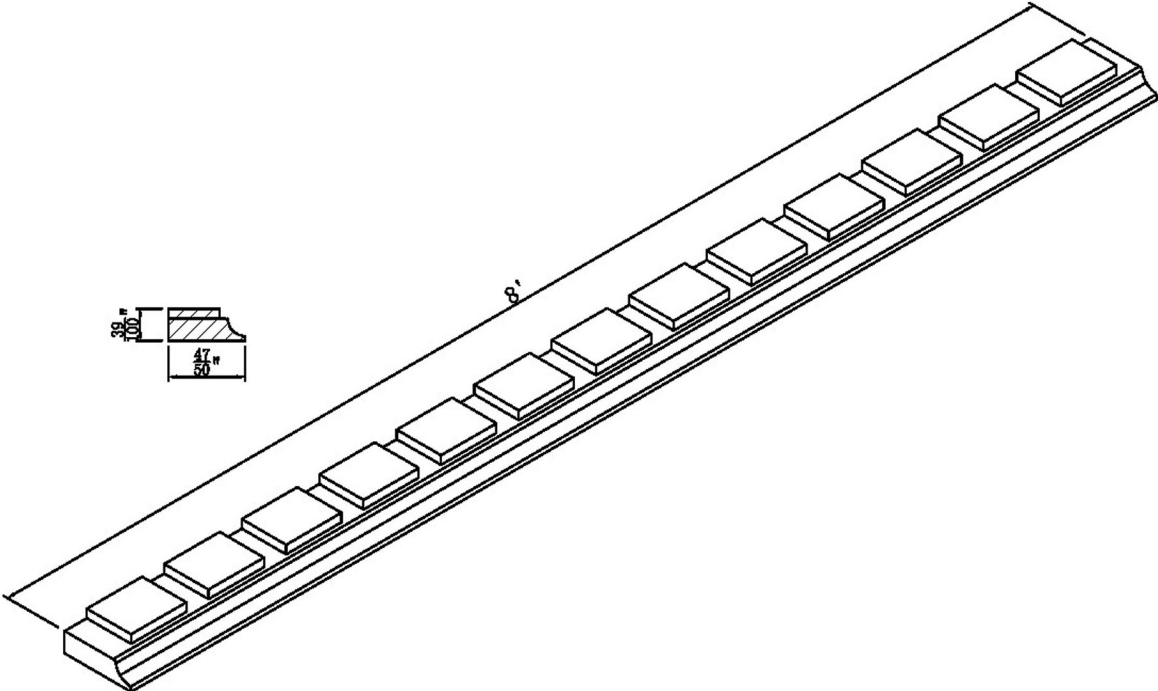


**RHE3024**

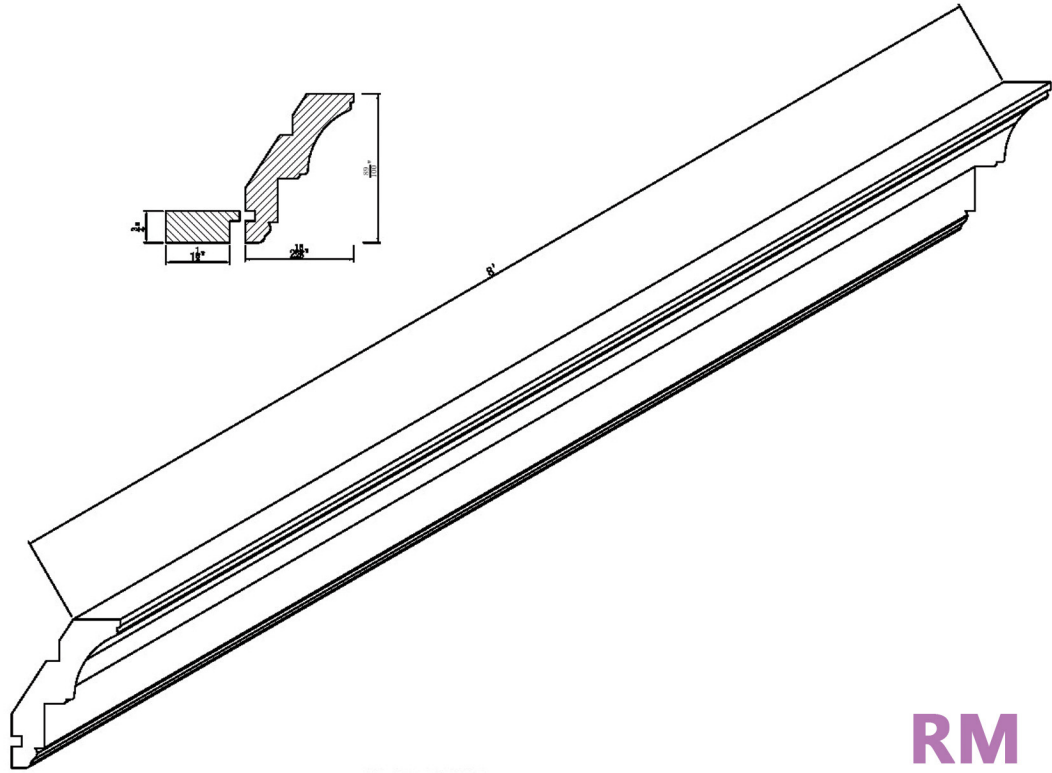
# FBM8



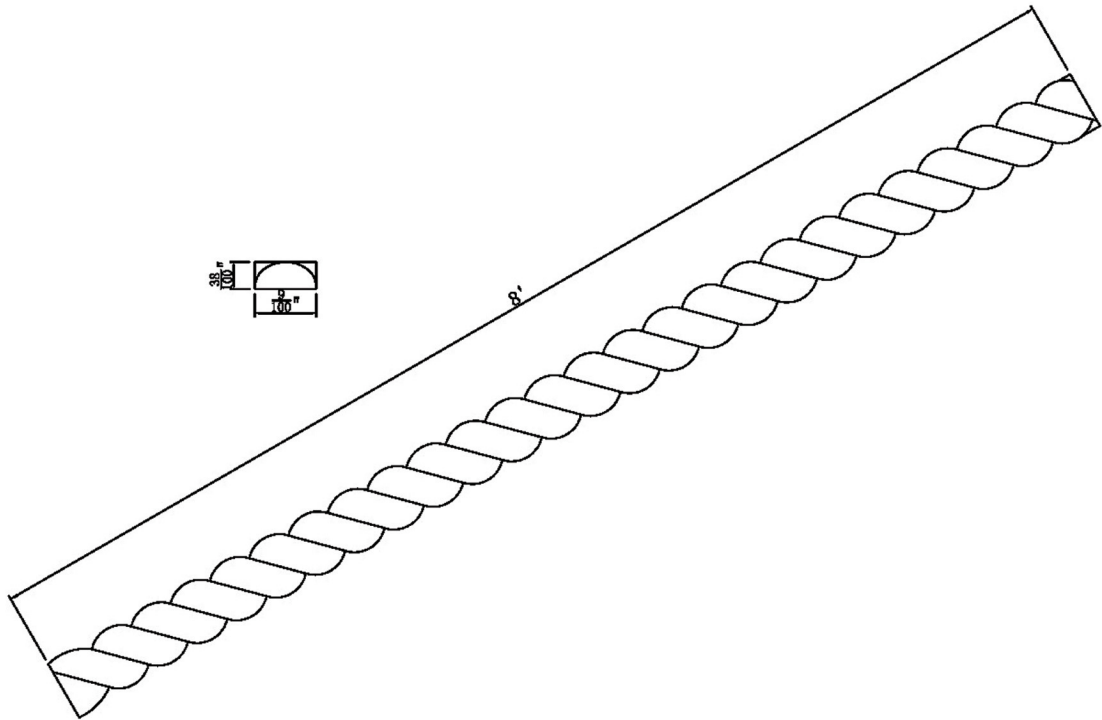
# DM

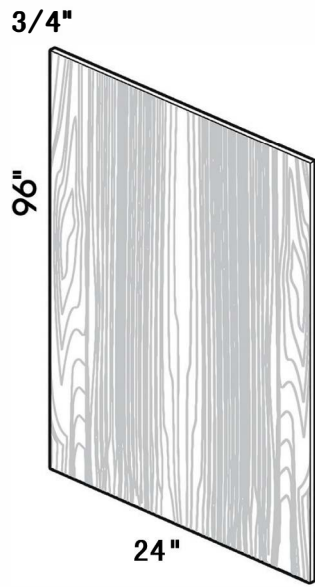


TCM

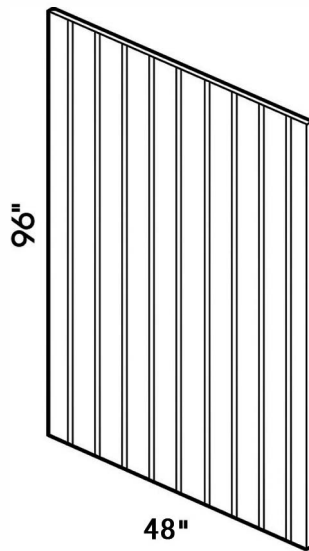


RM





**REP2496**



**BP4\*8**

**If you have any questions, please reach us at  
678-390-2961**