

G1000EGL



# Owner's Manual

# ***DUAL-FUEL GENERATOR***



HAVE QUESTIONS OR NEED SERVICE  
DO NOT RETURN TO STORE!  
**888.896.6881**



## **8000 WATT GASOLINE / 7000 WATT PROPANE**

Please read and save these instructions.

[www.jdna.com](http://www.jdna.com)

---

# 10000W Dual-Fuel Generator

---

## Table of Contents

---

Topic	Page
Limited Warranty	3
Limitations and exclusions	5
Safety Guidelines	6
General Precautions	7
Battery	16
Assembly	17
Operation	18
Spark Plug Service	25
Inspection, Cleaning, Maintenance and Storage	26
Installation	32
Specifications	34
General Parts Listing	35

---



**WARNING! READ AND UNDERSTAND ALL SAFETY PRECAUTIONS IN THIS MANUAL BEFORE OPERATING. FAILURE TO COMPLY WITH INSTRUCTIONS IN THIS MANUAL COULD RESULT IN PERSONAL INJURY, PROPERTY DAMAGE, AND/ OR VOIDING OF YOUR WARRANTY. ALL-POWER WILL NOT BE LIABLE FOR ANY DAMAGE BECAUSE OF FAILURE TO FOLLOW THESE INSTRUCTIONS.**



### **Use conditional requirements:**

Plateau instructions: If the elevation is between 2000ft ( $\cong$ 94kPa) and 7000ft ( $\cong$ 80kPa), the non-handheld engine need change the altitude kit which can be got in the maintenance station.

If the elevation is between 1100ft ( $\cong$ 96kPa) and 7000ft ( $\cong$ 80kPa), the handheld engine need change the altitude kit which can be got in the maintenance station.

---

# 10000W Dual-Fuel Generator

---

## Limited Warranty

JD North America warrants to the original purchaser who uses the product in a consumer application (personal, residential or household usage) that all products covered under this warranty are free from defects in material and workmanship for 2 years or 300 hours whichever comes first (1-year parts and labor and following 1 year parts only) from the date of purchase. All products covered by this limited warranty which are used in commercial applications (i.e. income producing) are warranted to be free of defects in material and workmanship for 90 days from the date of original purchase. Products covered under this warranty include air compressors, air tools, service parts, pressure washers and generators.

An individual or entity that purchases the product from whatever source with the intent to resell the product is an unauthorized reseller ("unauthorized dealer").

Please note this Limited Warranty does not apply to floor models or "demos" (except as specifically provided herein) or to products sold by unauthorized dealers, including without limitation, unauthorized resellers on third party websites, including, without limitation, Craigslist, eBay, Amazon, etc. Unauthorized dealers are not "original purchasers" for the purpose of this Limited Warranty. If purchaser is not the original purchaser of this product, purchaser takes the product "AS IS," "with all faults" and without warranty. If the purchase of this product was not directly from JDNA, proof of purchase will be required to demonstrate that purchaser is the original purchaser and the product was purchased from an authorized dealer, and eligible to make a valid claim under this limited warranty.

JD North America will repair or replace, at JD North America sole option, products or components which have failed within the warranty period. Service will be scheduled according to the normal work flow and business hours at the service center location, and the availability of replacement parts. All decisions of JD North America with regard to this limited warranty shall be final.

This warranty gives you specific legal rights, and you may also have other rights which vary from state to state.

### RESPONSIBILITY OF ORIGINAL PURCHASER (initial User):

To process a warranty claim on this product, DO NOT return item to the retailer. The product must be evaluated by an Authorized Warranty Service Center. For the location of the nearest Authorized Warranty Service Center call 888.896.6881.

### **Retain original cash register sales receipt as proof of purchase for warranty work.**

Use reasonable care in the operation and maintenance of the product as described in the Owner's Manual(s).

Deliver or ship the product to the Authorized Warranty Service Center. Freight costs, if any must be paid by the purchaser.

If the purchaser does not receive satisfactory results from the Authorized Warranty Service Center, the Purchaser should contact JD North America.

---

# 10000W Dual-Fuel Generator

---

## Limited Warranty (cont'd)

THIS WARRANTY DOES NOT COVER:

- Merchandise sold as reconditioned, used as rental equipment, or floor or display models.
- Merchandise that has become damaged or inoperative because of ordinary wear, misuse, cold, heat, rain, excessive humidity, freeze damage, use of improper chemicals, negligence, accident, failure to operate the product in accordance with the instructions provided in the Owner's Manual(s) supplied with the product, improper maintenance, the use of accessories or attachments not recommended by JD North America, or unauthorized repair or alterations.
- Repair and transportation costs of merchandise determine not to be defective.
- Costs associated with assembly, required oil, adjustments or other installation and start-up costs.
- Expendable parts or accessories supplied with the product which are expected to become inoperative or unusable after a reasonable period of use.(Example: Battery, Spark Plug, Air Filter)
- Merchandise sold by JD North America which has been manufactured by and identified as the product of another company, such as gasoline engines. The product manufacturer's warranty, if any, will apply.
- ANY INCIDENTAL, INDIRECT OR CONSEQUENTIAL LOSS, DAMAGE, OR EXPENSE THAT MAY RESULT FROM ANY DEFECTS, FAILURE OR MALFUNCTION OF THE PRODUCT IS NOT COVERED BY THIS WARRANTY. Some states do not allow the exclusion, so it may not apply to you.
- IMPLIED WARRANTIES, INCLUDING THOSE OF MERCHANTABILITY OR FITNESS FOR A PARTICULAR PURPOSE, ARE LIMITED TO TWO YEARS FROM THE DATE OF ORIGINAL PURCHASE. Some states do not allow limitations on how long an implied warranty lasts, so the above limitations may not apply to you.

---

# 10000W Dual-Fuel Generator

---

## Limitations and exclusions

This Limited Warranty shall not apply to:

1. Bent or broken crankshaft or resultant damage caused by vibration related to a bent or broken crankshaft. Also, damage caused by loose engine mounting bolts or improper or imbalanced accessories or blades mounted to the crankshaft.
2. Repairs required because of prolonged storage including damage caused by old or contaminated fuel in the fuel tank, fuel lines or carburetor, sticky valves or corrosion and rust of engine parts.
3. Repair required due to overheating. (Most often caused by overloaded or clogged or damaged or missing flywheel, fan, inlet air passages, cooling fans or air shrouds.)
4. Dirt or grit related wear caused by improper air cleaner maintenance (most often resulting in worn piston, piston rings, cylinders, valves, valveguides, carburetor or other internal components).
5. Broken or scored parts caused by low oil level, dirty or improper grade of oil.
6. Engine tune-ups and normal maintenance service including, but not limited to, valve adjustment, normal replacement of service items, fuel and lubricating oil, etc.
7. Any engine which has been subject to negligence, misuse, accident, mis-application or over-speeding.
8. Any engine that has been installed, repaired, or altered by anyone in a manner which in JDNA's sole judgment adversely affects its performance or reliability.
9. Any engine which has been fitted with or repaired with parts or components not manufactured or approved by JDNA which in JDNA's sole judgment adversely affects its performance or reliability.
10. Instances when normal use has exhausted the life of a component or an engine, including but not limited to using as a sole source of power.

---

# Owner's Manual

---

## Safety Guidelines - Definitions

This manual contains important information that you need to know and understand in order to protect YOUR SAFETY and to PREVENT EQUIPMENT PROBLEMS. The following symbols help you recognize this information. Please read the manual and pay attention to these sections.

### Save These Important Safety Instructions!

Read and understand all of these safety instructions. Be sure to retain them for future use.



**WARNING! WARNINGS INDICATE A CERTAINTY OR STRONG POSSIBILITY OF PERSONAL INJURY OR DEATH IF INSTRUCTIONS ARE NOT FOLLOWED.**



**CAUTION: CAUTIONS INDICATE A POSSIBILITY OF EQUIPMENT DAMAGE IF INSTRUCTIONS ARE NOT FOLLOWED.**



**NOTE: NOTES GIVE HELPFUL INFORMATION**



**WARNING! IMPROPER OPERATION OR MAINTENANCE OF THIS PRODUCT COULD RESULT IN SERIOUS INJURY AND PROPERTY DAMAGE. READ AND UNDERSTAND ALL WARNINGS AND OPERATING INSTRUCTIONS BEFORE USING THIS EQUIPMENT. WHEN USING AIR TOOLS, BASIC SAFETY PRECAUTIONS SHOULD ALWAYS BE FOLLOWED TO REDUCE THE RISK OF PERSONAL INJURY.**

---

# 10000W Dual-Fuel Generator

---

## General Precautions



**WARNING! FAILURE TO FOLLOW THESE INSTRUCTIONS CAN RESULT IN SEVERE INJURY OR DEATH.**



**CAUTION: FAILURE TO FOLLOW THESE INSTRUCTIONS CAN ALSO RESULT IN DAMAGE TO THE TOOL AND/OR THE ITEM YOU ARE WORKING ON.**

## **DANGER** CARBON MONOXIDE



Using a generator indoors **WILL KILL YOU IN MINUTES.**

Generator exhaust contains high levels of carbon monoxide (CO), a poisonous gas you cannot see or smell. If you can smell the generator exhaust, you are breathing CO. But even if you cannot smell the exhaust, you could be breathing CO.

- Never use a generator inside your home, basement, or garage or less than 20 feet from any window, door, or vent.



- When using a generator, use a battery-powered or battery backup CO detector in your home.

Even when you use a generator correctly, CO may leak into the home.

If you start to feel sick, dizzy, or weak after the generator has been running, move to fresh air **RIGHT AWAY**. See a doctor. You could have carbon monoxide poisoning.



**WARNING! THE EXHAUST CONTAINS POISONOUS CARBON MONOXIDE GAS THAT CAN CAUSE LOSS OF CONSCIOUSNESS AND MAY LEAD TO DEATH.**

## Fuel and Oil

This product requires oil and fuel. Attempting to start the engine without oil will ruin the engine and void the warranty. Work in well ventilated area. Keep cigarettes, flames or sparks away from the work area or where gasoline is stored.



**WARNING! GASOLINE AND PROPANE ARE EXTREMELY FLAMMABLE AND ARE EXPLOSIVE UNDER CERTAIN CONDITIONS. KEEP OUT OF REACH OF CHILDREN.**

- Gasoline and propane fuel and fumes are flammable and potentially explosive. Use proper fuel storage and handling procedures. Always have multiple ABC class fire extinguishers nearby.
- Keep the generator and surrounding area clean at all times.

---

# Owner's Manual

---

- Gasoline or oil spills must be cleaned up immediately. Dispose of fluids and cleaning materials as per any local, state, or federal codes and regulations. Store oily rags in a covered metal container. If Propane is leaking, the valve must be closed immediately. Check for leaks and deal with them immediately.
- Never store fuel or other flammable materials near the generator.

## General Precautions (cont'd)

### Fuel and Oil (cont'd)

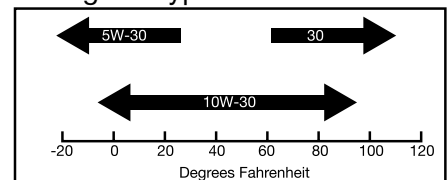
- Do not smoke or allow sparks, flames or other sources of ignition around the engine and fuel tank. Fuel vapors are explosive.
- Keep grounded conductive objects, such as tools, away from exposed, live electrical parts and connections to avoid sparking or arcing. These events could ignite fumes or vapors.
- Do not refill the fuel tank or replace the propane cylinder while the engine is running or while the engine is still hot. Do not operate the generator with known leaks in the fuel system
- Excessive buildup of unburned fuel gases in the exhaust system can create a potentially explosive condition. This buildup can occur after repeated failed start attempts, valve testing, or hot engine shutdown. If this occurs, open exhaust system drain plugs, if equipped, and allow the gases to dissipate before attempting to restart the generator.
- Use only engine manufacturer recommended fuel and oil.

#### Fuel:

Fuel capacity is 8 gallons(30 L). Use regular unleaded gasoline with a minimum octane rating of 90. Use only an approved propane cylinder equipped and supplied inlet pipe with LPG regulator.

#### Oil:

Oil capacity is 1.16 qt (1.1 L)  
Please change oil types on weather conditions.



## Hot Components



**WARNING! ENGINE AND EXHAUST SYSTEM PARTS BECOME VERY HOT AND REMAIN HOT FOR SOME TIME AFTER THE ENGINE IS RUN. WEAR INSULATED GLOVES OR WAIT UNTIL THE ENGINE AND EXHAUST SYSTEM HAVE COOLED BEFORE HANDLING THESE PARTS.**

## Power Output

This generator is not designed to power sensitive electronic equipment (including computers and medical devices) without the addition of an approved line conditioner, which is sold separately.



**CAUTION: ATTEMPTING TO POWER SENSITIVE ELECTRONIC EQUIPMENT WITHOUT THE USE OF AN APPROVED LINE CONDITIONER MAY CAUSE DAMAGE TO THE EQUIPMENT. JD NORTH AMERICA IS NOT RESPONSIBLE FOR ANY DIRECT OR INDIRECT DAMAGE CAUSED BY FAILURE TO USE AN APPROVED LINE CONDITIONER.**



---

# 10000W Dual-Fuel Generator

---

## General Precautions (cont'd)

### Work Area

- Keep your work area clean and well lit. Cluttered benches and dark areas invite accidents.
- Do not operate power tools in explosive atmospheres, such as in the presence of flammable liquids, gases, or dust. Generators create sparks which may ignite the dust or fumes.
- Keep bystanders, children, and visitors away while operating a generator. Provide barriers or shields as needed.

### Electrical Safety

- Grounded tools must be plugged into an outlet properly installed and grounded in accordance with all codes and ordinances. Never remove the grounding prong or modify the plug in any way. Do not use any adapter plugs.
- Grounding provides a low-resistance path to carry electricity away from the user in the event of an electrical malfunction.
- Double insulated tools are equipped with a polarized plug where one blade is wider than the other. This plug fits in a polarized outlet only one way. If the plug does not fit fully in the outlet, reverse the plug. If it still does not fit, contact a qualified electrician to install a polarized outlet. Do not change the plug in any way. Double insulation eliminates the need for the three-wire grounded power cord and grounded power supply system.
- Do not expose generator to rain or wet conditions. Water entering a generator will increase the risk of electric shock.
- Do not abuse the power cord. Keep power cords away from heat, oil, sharp edges, or moving parts. Replace damaged power cords immediately. Damaged power cords increase the risk of electric shock.
- When operating a power tool outside, use an outdoor extension cord marked “W-A” or “W”. These extension cords are rated for outdoor use, and reduce the risk of electric shock.



---

# Owner's Manual

---

## General Precautions (cont'd)

### Electrical Safety (cont'd)

- All connections and conduits from the generator to the load must only be installed by trained and licensed electricians, and in compliance with all relevant local, state, and federal electrical codes and standards, and other regulations where applicable.
- The generator must be earth-grounded for fixed installations in accordance with all relevant electrical codes and standards before operation.
- Do not attempt to connect or disconnect load connections while standing in water or on wet or soggy ground.
- Do not touch electrically energized parts of the generator and interconnecting cables or conductors with any part of the body or with any non-insulated conductive object.
- Connect the generator only to a load or electrical system (120 volt) that is compatible with the electrical characteristics and rated capacities of the generator.
- Before servicing equipment powered by the generator, disconnect the equipment from its power input.
- Keep all electrical equipment clean and dry. Replace any wiring where the insulation is cracked, cut abraded or otherwise degraded. Replace terminals that are worn, discolored, or corroded. Keep terminals clean and tight.
- Insulate all connections and disconnected wires.
- Guard against electric shock. Prevent body contact with grounded surfaces such as pipes, radiators, ranges, and refrigerator enclosures.

### Personal Safety

- Stay alert. Watch what you are doing, and use common sense when operating a generator. Do not use generator while tired or under the influence of drugs, alcohol, or medication. A moment of inattention while operating generators may result in serious personal injury.
- Contain all hair. Keep your hair, clothing, and gloves away from moving parts. Loose clothes, jewelry or long hair can be caught in moving parts.

---

# 10000W Dual-Fuel Generator

---

## General Precautions (cont'd)

### Personal Safety (cont'd)

- Avoid accidental starting. Make sure the power switch is in its “OFF” position, and disconnect the spark plug wire when not in use.
- Remove adjusting keys or wrenches before turning the generator on. A wrench or a key that is left attached to a rotating part of the generator may result in personal injury.
- Do not overreach. Keep proper footing and balance at all times.
- Use safety equipment. Always wear eye protection. Wear ANSI approved safety impact eye goggles. Dust mask, non-skid safety shoes, hard hat, or hearing protection must be used for appropriate conditions.
- Do not force the generator. Use the correct generator for your application. The correct generator will do the job better and safer at the rate for which it is designed.
- Do not use the generator if the power switch does not turn it on or off. Any generator that cannot be controlled with the power switch is dangerous and must be replaced.

### Generator Use and Care

Make sure the power switch is in its “OFF” position and disconnect the spark plug wire before making any adjustment, changing accessories, or storing the generator. Such preventive safety measures reduce the risk of starting the generator accidentally.

Store idle generators out of reach of children and other untrained persons. Generators are dangerous in the hands of untrained users.

Maintain generators with care. Do not use damaged generator. Tag damaged generators “Do not use” until repaired.

Check for misalignment or binding of moving parts, breakage of parts, and any other condition that may affect the generator’s operation. If damaged, have the generator serviced before using. Many accidents are caused by poorly maintained generators.

Use only accessories that are recommended by the manufacturer for your model. Accessories that may be suitable for one generator may become hazardous when used on another generator.

---

# Owner's Manual

---

## General Precautions (cont'd)

### Servicing

Maintain labels and name plates on the generator and engine. These carry important information. If unreadable or missing, contact our service center toll free at 888-896-6881 immediately for a replacement.

Generator service must be performed only by a qualified repair personnel. Service or maintenance performed by unqualified personnel could result in a risk of injury.

When servicing a generator, use only identical replacement parts. Follow all appropriate instructions in this manual. Use of unauthorized parts or failure to follow maintenance instructions may create a risk of electric shock or injury.

### Heart Pacemakers



**WARNING! PEOPLE WITH PACEMAKERS SHOULD CONSULT THEIR PHYSICIAN(S) BEFORE USING THIS PRODUCT. ELECTROMAGNETIC FIELDS IN CLOSE PROXIMITY TO A HEART PACEMAKER COULD CAUSE INTERFERENCE TO OR FAILURE OF THE PACEMAKER.**

### Installation

- Ensure installation meets all applicable safety, and local and national electrical codes. Have installation performed by a qualified, licensed electrician and building contractor.
- All electrical work, including the earth-ground connection, should be completed by a licensed electrician.
- Any separate fuel storage or generator supply facility must be built or installed in full compliance with all relevant local, state, and federal regulations.

---

# 10000W Dual-Fuel Generator

---

## General Precautions (cont'd)

### Installation (cont'd)

- If the generator is installed outdoors, it must be weatherproofed and should be soundproofed. It should not be run outdoors without protection to the generator and wiring conduit.
- The generator weighs 220 lbs (approx). Two or more people should assist when moving or lifting this product. Never lift the generator using the engine or alternator lifting lugs. Connect lifting equipment to the frame of the generator.
- Before lifting the generator, ensure the lift rigging and supporting structure are in good condition, and are rated to lift such a load.
- Keep all personnel away from the suspended generator during relocating process.
- The supporting floor/ground surface should be level and strong enough to safely hold the weight of the generator. If the floor/grounded surface is not level, strong cross members should be placed under the full length of the generator frame at its low side.
- For trailer installation, the generator should be mounted on the center point of the trailer, over the wheels. The trailer must be capable of supporting the weight of the generator and all contents (tools, etc.)
- Install sound-and weather-proofing only when it is not raining or snowing to avoid trapping moisture within the generator's area.

### Mechanical

- Always make sure the power switch is in its "OFF" position. Disconnect the spark plug wire, and allow the engine to completely cool before carrying out maintenance.
- Check for damaged parts. Before using the generator, any part that appears damaged should be carefully checked to determine that it will operate properly and perform its intended function. Check for alignment and binding of moving parts, any broken parts or mounting fixtures, and any other condition that may affect proper operation.
- The generator is designed with guards for protection from moving parts. In any case, care must still be taken to protect personnel and equipment from other mechanical hazards when working around the generator.

---

# Owner's Manual

---

## General Precautions (cont'd)

### Mechanical (cont'd)

- Do not operate the generator with safety guards removed. While the generator is running, do not attempt to reach around the safety guard for maintenance or any other reason.
- Keep hands, arms, long hair, loose clothing, and jewelry away from moving parts. Be aware that when engine parts are moving fast they cannot be seen clearly.
- Keep access doors on enclosures closed and locked when access is not required.
- When working on or around the generator always wear protective clothing including ANSI approved safety gloves, safety eye goggles, and safety hat.
- Do not alter or adjust any part of the generator that is assembled and supplied by the manufacturer.
- Always follow and complete scheduled engine and generator maintenance.

### Chemicals

- Avoid contact with hot fuel, oil, exhaust fumes, and hot solid surfaces.
- Avoid body contact with fuels, oils, and lubricants used in the generator. If swallowed, seek medical treatment immediately. Do not induce vomiting if fuel is swallowed. For skin contact, immediately wash with soap and water. For eye contact, immediately flush eyes with clean water and seek medical attention.

### Noise

- Prolonged exposure to noise levels above 68 DBA is hazardous to hearing. Always wear ANSI approved ear protection when operating or working around the generator when it is running.

---

# 10000W Dual-Fuel Generator

---

## General Precautions (cont'd)

### Extension Cord

If an extension cord (not included) is used, make sure to use only UL approved cords having the correct gauge and length according to the following table:

Nameplate Amps (@ full load)	Cord Lengths			
	0 ft.- 50 ft.	50 ft.-100 ft.	100 ft.-150 ft.	150 ft.-200 ft.
0 - 5	16 AWG	16 AWG	12 AWG	12 AWG
5.1 - 8	16 AWG	14 AWG	10 AWG	-
8.1 - 12	14 AWG	12 AWG	-	-
12.1 - 15	12 AWG	10 AWG	-	-
15 - 20	10 AWG	10 AWG	-	-

---

---

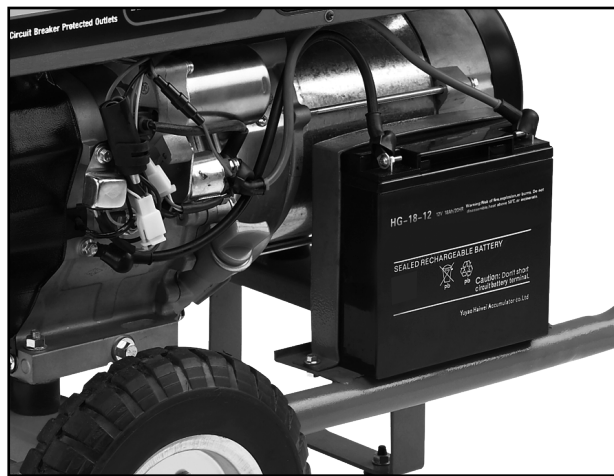
# Owner's Manual

---

## Battery

To start generator electrically you will need have the battery installed correctly. This requires a 12v 18ah lawn tractor battery with the following dimensions: The dimensions are Wx7.5" Dx5" Hx7" (including terminals). A rated cranking amperage of 200. Terminals are regular, not reversed.

Photos below demonstrate battery plate attachment.





---

# 10000W Dual-Fuel Generator

---

## Assembly

### Unpacking

1. Remove the generator and loose parts box from the carton.
2. Compare the accessory with the inventory list below.

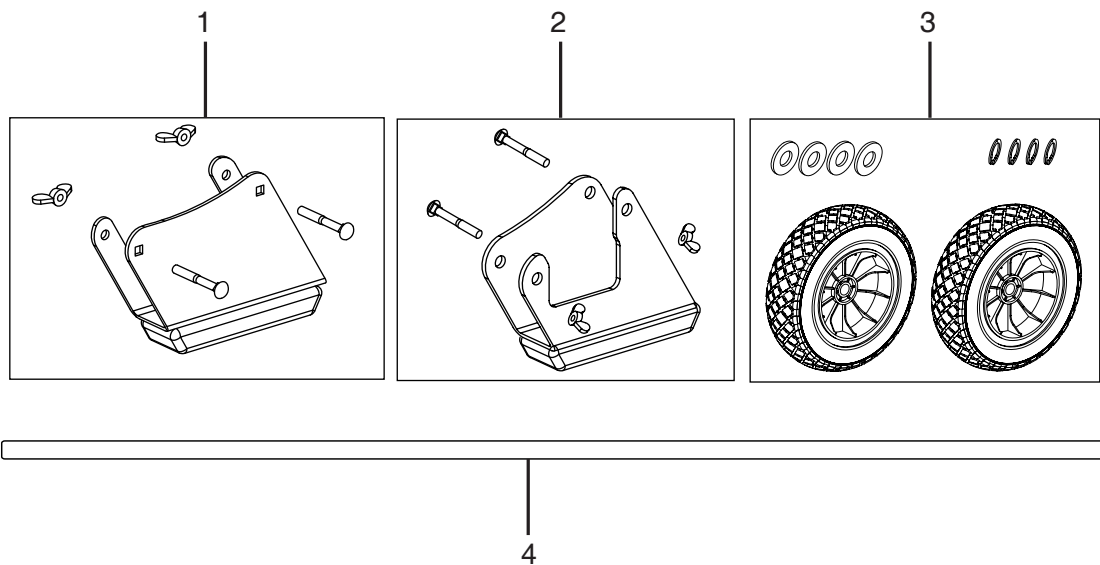
### Loose Parts (Wheel kit and handle)

Check all loose parts against the following list. Contact your dealer toll free at 888.896.6881 if any of the loose parts shown are not included with your generator

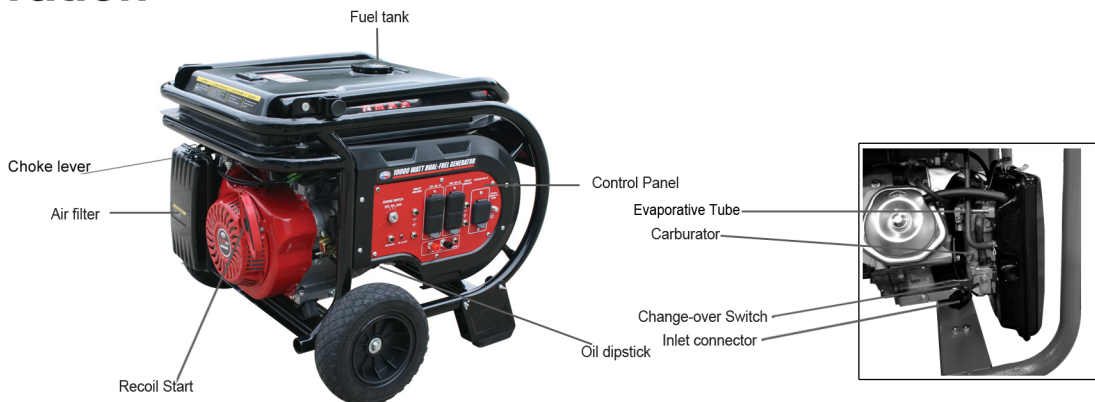
### Hardware Check:

Your Hardware Kit should include:

- 1/2) Two generator legs with four bolts and four nuts
- 3) Two wheels with four washers and four C type clamping springs.
- 4) one axle shaft



## Operation



**NOTE: THE PARTS LISTED ABOVE ARE HELPFUL FOR LOCATING THE CONTROLS MENTIONED BELOW.**



**CAUTION: PRIOR TO FIRST USING THE GENERATOR, THE ENGINE MUST BE FILLED WITH OIL OF A HIGH QUALITY SAE 10W-30 GRADE ENGINE OIL. TO DO SO, UNSCREW AND REMOVE THE ENGINE'S OIL DIPSTICK LOCATED AT THE BOTTOM OF THE ENGINE CRANKCASE. FILL THE ENGINE'S CRANKCASE UNTIL THE OIL LEVEL IS LEVEL WITH THE UPPER MARKED LINE ON THE DIPSTICK. THEN SCREW THE DIPSTICK BACK INTO THE OIL FILL HOLE.**

### Before Starting the Generator

1. Check that the engine key switch is in its "RUN" position.
2. Before the first use, remove the fuel tank cap and fill the fuel tank with unleaded gasoline. When fueling, be sure that the fuel strainer is in place. Check the fuel amount reached the fuel level in the fuel tank and has not exceeded the maximum amount. Replace the fuel tank cap.

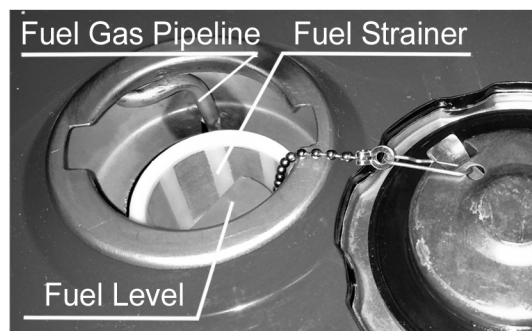
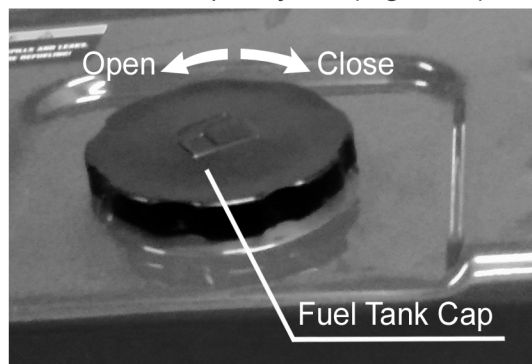


**CAUTION: THE GENERATOR MUST BE TURNED OFF AND COOLED DOWN BEFORE REFILLING THE FUEL TANK.**

### WARNING!

We recommend unleaded gasoline high octane non-ethanol, Because it produces fewer engine and spark plug deposits and extends exhaust system life. Never use stale or contaminated gasoline or LPG of inferior propane composition. Avoid getting dirt or water in the fuel tank.

Fuel tank capacity:30L(8 gallons)



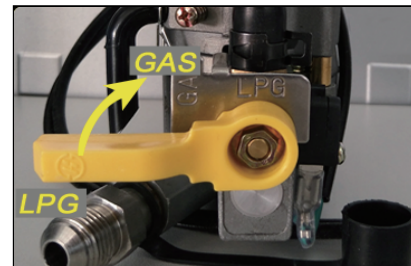
---

# 10000W Dual-Fuel Generator

---

## Gasoline Starting.

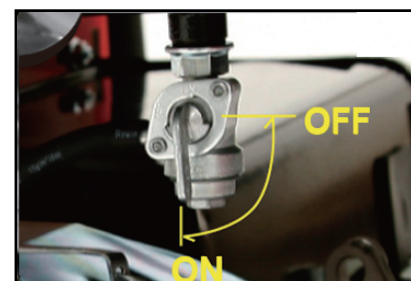
1. Move the GAS-LPG switch clockwise to the vertical position.



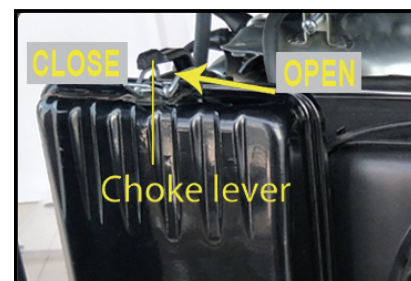
2. Put the key switch on the "RUN" position.  
The engine switch enables and disables the ignition system.  
STOP: To stop the engine  
RUN: To run the engine  
START: To Start the engine



3. Turn the fuel valve clockwise to the "ON" position.

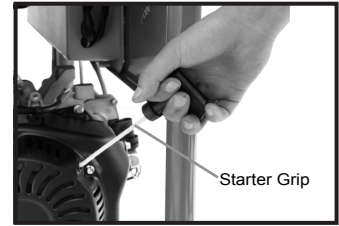


4. To start a cold engine, move the choke lever to the CLOSED position. To restart a warm engine, leave the choke lever in the OPEN position.  
The choke lever opens and closes the choke valve in the carburetor.  
The CLOSED position enriches the fuel mixture from starting a cold engine.  
The OPEN position provides the correct fuel mixture for operation after starting, and for restarting a warm engine.

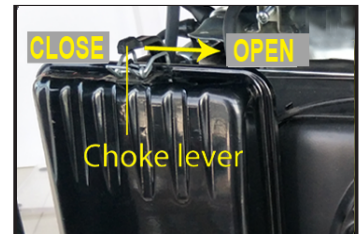


# Owner's Manual

5. To operate the Recoil Start:  
Pull the starter grip lightly until you feel resistance, then pull briskly. Return the starter grip gently. Pulling the starter grip operates the recoil start to crank the engine
- To operate the Electric start:  
Push and hold the engine switch on the "START" position for 3~5s and crank the engine.  
Holding this position longer can damage the starter solenoid and void its warranty.

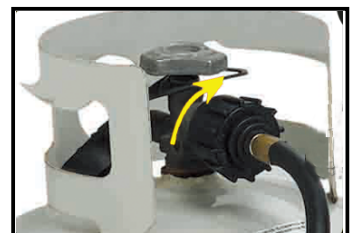
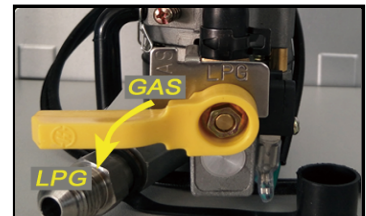


6. If the choke has been moved to the "OPEN" position to start the engine, gradually move it to the "CLOSE" position as the engine warms up.



## Propane Starting

1. Move the GAS-LPG switch counter-clockwise to the horizontal position.
2. Attach the LPG Supply hose to the LPG cylinder and the other end to the inlet connector .

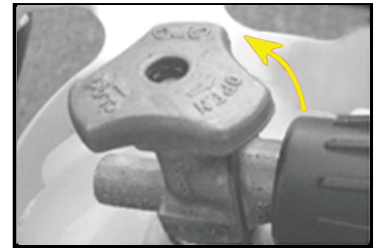


---

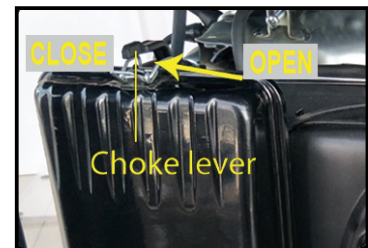
# 10000W Dual-Fuel Generator

---

3. Fully open the LPG cylinder fuel knob.



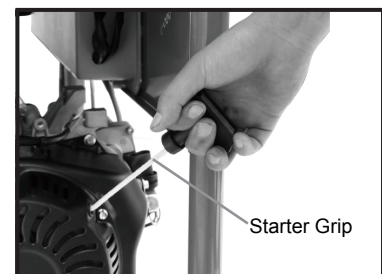
4. Move the choke lever to the “CLOSE” position. For restarting a warm engine, move the choke lever to the “OPEN” position.



5. KEY START: Turn the key to the “START” position. When engine starts, release the key back to the “RUN” position.



RECOIL START: Turn the key to the “RUN” position, pull the recoil starter slowly until resistance is felt and then pull rapidly to start engine.

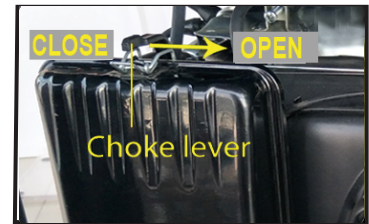


---

# Owner's Manual

---

6. Move the choke lever to the "OPEN" position.



**Note:** If you need to alternate fuel, you can change-over directly the GAS-LPG fuel switch while the generator is running at no-load.

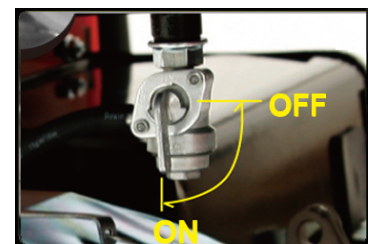
## Stopping Engine

1. Turn the engine switch to the "STOP" position.



2. Turn the fuel valve lever to the "OFF" position.

When the engine is not in use, leave the fuel valve in the "OFF" position to prevent carburetor flooding and to reduce the possibility of fuel leakage.



3. Shut down the LPG cylinder fuel knob.



---

# 10000W Dual-Fuel Generator

---

## Operation (cont'd)

### Powering 120 Volt AC Tools And Equipment:

1. Prior to powering tools and equipment, make sure the generator's rated voltage, and amperage capacity (120 V AC @ 66.7 AMPs) is adequate to supply all electrical loads that the unit will power. If powering exceeds the generator's capacity, it may be necessary to group one or more of the tools and/or equipment for connection to a separate generator.



**CAUTION: ATTEMPTING TO POWER SENSITIVE ELECTRONIC EQUIPMENT WITHOUT THE USE OF AN APPROVED LINE CONDITIONER MAY CAUSE DAMAGE TO THE EQUIPMENT. ALL-POWER IS NOT RESPONSIBLE FOR ANY DIRECT OR INDIRECT DAMAGE CAUSED BY FAILURE TO USE AN APPROVED LINE CONDITIONER.**

2. Once the generator is running, simply connect the power cords of 120 volt AC powered tools and equipment into the 120 volt AC dual outlets.



**NOTE: THE GENERATOR FEATURES AN AC NON-FUSE THERMAL PROTECTOR TO PROTECT THE AC CIRCUIT IN CASE OF AN OVERLOAD. SHOULD AN OVERLOAD OCCUR, THE BREAKER WILL POP.**

3. Disconnect all electrical powered tools and equipment from the generator's 120 volt AC dual outlets.
4. After the engine and generator have completely cooled, store generator in a safe, clean, dry location (if not already installed).

---

# Owner's Manual

---

## Operation (cont'd)

### Powering 12 Volt DC tools and Equipment:

1. Prior to powering tools and equipment, make sure the generator's rated voltage, and amperage capacity (12V DC) is adequate to supply all electrical loads that the unit will power. If powering exceeds the generator's capacity, it may be necessary to group one or more of the tools and/or equipment for connection to a separate generator.
2. Connect the power cord of a 12V DC powered tool or equipment to the DC Terminals.



**CAUTION: MAKE SURE TO CONNECT THE POSITIVE (+) LEAD OF THE POWER CORD TO THE POSITIVE (+) TERMINAL ON THE GENERATOR, AND CONNECT THE NEGATIVE (-) LEAD OF THE POWER CORD TO THE NEGATIVE (-) TERMINAL ON THE GENERATOR.**

**THE 12V DC IS FOR BATTERY CHARGING ONLY.**



---

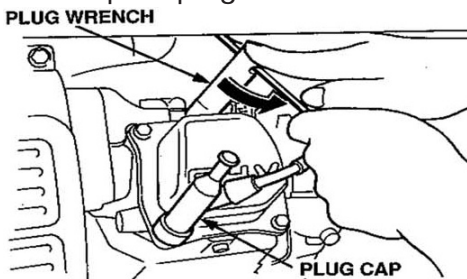
# 10000W Dual-Fuel Generator

---

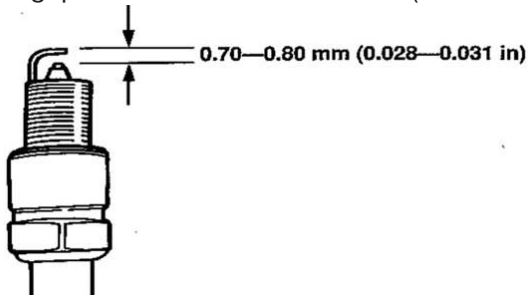
## Spark Plug Service

In order to service the spark plug, you will need a spark plug wrench (commercially available). Recommended spark plugs: NHSP LD F7TC or NGKBPRGES but we recommend our OEM spark plug. To ensure proper engine operation, the spark plug must be properly gapped and free of deposits.

1. Remove the spark plug cap.
2. Clean any dirt from around the spark plug base.
3. Use a spark plug wrench to remove the spark plug.



4. Visually inspect the spark plug. Discard it if the insulator is cracked or chipped. Clean the spark plug with a wire brush if it is to be reused.
5. Measure the plug gap with a feeler gauge. (Correct as necessary by carefully bending the side electrode.) The gap should be : 0.70-0.80 mm (0.028-0.031in)



6. Check that the spark plug washer is in good condition.
7. After the spark plug is seated, tighten with a spark plug in by hand to prevent cross-threading.
8. After the spark plug is seated, tighten with a spark plug wrench to compress the washer.



NOTE: THE SPARK PLUG MUST BE SECURELY TIGHTENED. AN IMPROPERLY TIGHTENED SPARK PLUG CAN BECOME VERY HOT AND COULD DAMAGE THE ENGINE. NEVER USE SPARK PLUGS WHICH HAVE AN IMPROPER HEAT RANGE. USE ONLY RECOMMENDED SPARK PLUS OR EQUIVALENT.

---

# Owner's Manual

---

## Inspection, Cleaning, and Maintenance



**WARNING! ALWAYS MAKE SURE THE ENGINE POWER SWITCH IS IN ITS "STOP" POSITION. DISCONNECT THE SPARK PLUG WIRE FROM THE ENGINE AND ALLOW SUFFICIENT TIME FOR THE ENGINE AND GENERATOR TO COMPLETELY COOL BEFORE PERFORMING ANY INSPECTIONS, MAINTENANCE, OR CLEANING.**

---

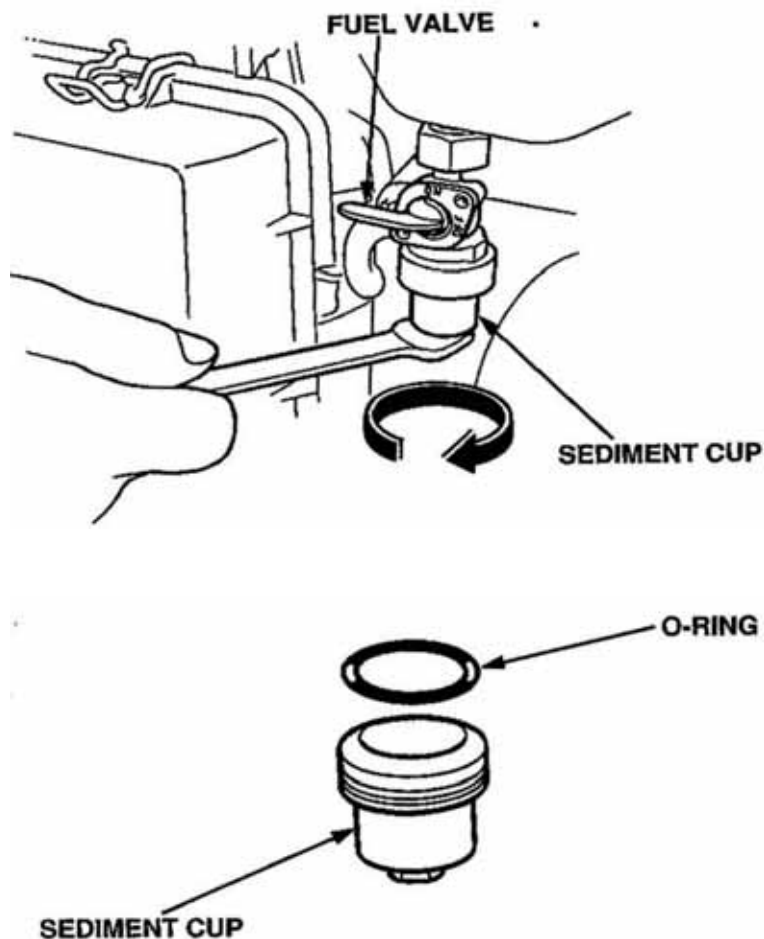
# 10000W Dual-Fuel Generator

---

## Fuel Sediment Cup Cleaning

The sediment cup prevents dirt or water which may be in the fuel tank from entering the carburetor. If the engine has not been run for a long time, the sediment cup should be cleaned.

1. Turn the fuel valve to the OFF position. Remove the sediment cup, and O-ring.
2. Clean the sediment cup and O-ring in nonflammable or high flash point solvent.
3. Reinstall O-ring, and sediment cup.
4. Turn the fuel valve ON and check for leaks.



---

# Owner's Manual

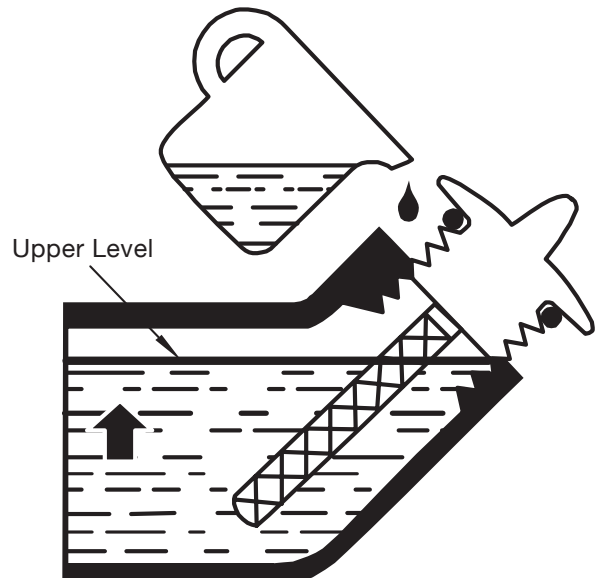
---

## Maintenance Guide

Periodic maintenance and adjustment is necessary to keep the generator in good operating condition.

**WARNING!** Exhaust gas contains poisonous carbon monoxide. Shut off the engine before performing any maintenance. If the engine must be run, make sure the area is well ventilated.

- Before each use, inspect the generator. Check for:
  - Loose screws
  - Misaligned or binding moving parts
  - Cracked or broken parts
  - Damaged electrical wiring
  - Any other condition that may affect safe operation.
- If an engine problem occurs, have it checked by a qualified service technician before further use. Do not use damaged equipment.
- Before each use, make sure the engine's oil and gas levels are adequate.
- Before each use, remove all debris with a soft brush, rag, or vacuum.
- Lubricate all moving parts using a premium quality, lightweight machine oil.
- Every 50 hours of use, drain the old engine oil and replace with a high quality SAE 10W-30 grade engine oil.
- Every 300 hours of use, have a qualified, certified technician perform thorough maintenance on the generator and engine.
- For long term storage, either drain fuel into suitable container or add a fuel preservative/ stabilizer (not included) to prevent fuel breakdown.



---

# 10000W Dual-Fuel Generator

---

## Air cleaner service

A dirty air cleaner will restrict air flow to the carburetor. To prevent carburetor malfunction, service the air cleaner regularly. Service more frequently when operating the generator in extremely dusty areas.

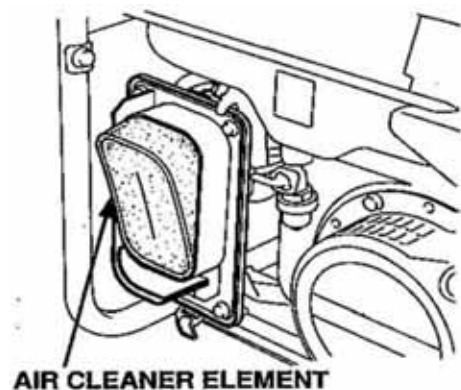
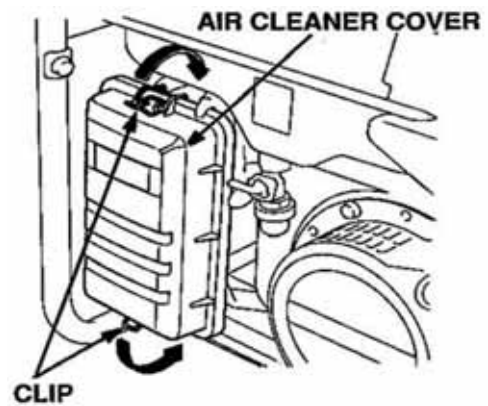


**WARNING!** Using gasoline or flammable solvent to clean the filter element can cause a fire or explosion. Use only soapy water or nonflammable solvent.



**NOTE:** Never run the generator without the air cleaner. Rapid engine wear will result.

1. Unsnap the air cleaner cover clips, remove the air cleaner cover, and remove the element.
2. Wash the element in a solution of household detergent and warm water, then rinse thoroughly, or wash in nonflammable or high flash point solvent. Allow the element to dry thoroughly.
3. Soak the element in clean engine oil and squeeze out the excess oil. The engine will smoke during initial start-up if too much oil is left in the element.
4. Reinstall the air cleaner element and the cover.



---

# Owner's Manual

---

## Transporting/Storage

When transporting the generator, turn the engine switch and the fuel valve OFF. Keep the generator level to prevent fuel spillage. Fuel vapor or spilled fuel may ignite.



**WARNING! Contact with a hot engine or exhaust system can cause serious burns or fires. Let the engine cool before transporting or storing the generator.**

Take care not to drop or strike the generator when transporting. Do not place heavy objects on the generator.

Before storing the unit for an extended period:

1. Be sure the storage area is free of excessive humidity and dust.
2. Service according to the table below:

<b>STORAGE TIME</b>	<b>RECOMMENDED SERVICE PROCEDURE TO PREVENT HARD STARTING</b>
Less than 1 month	No preparation required
1 to 2 months	Fill with fresh gasoline and add gasoline conditioner before use .
2 months to 1 year	Fill with fresh gasoline and add gasoline conditioner before use. Drain the carburetor float bowl. Drain the fuel sediment cup.
1 year or more	Fill with fresh gasoline and add gasoline conditioner before use . Drain the carburetor float bowl. Drain the fuel sediment cup. Remove the spark plug. Put a tablespoon of engine oil into the cylinder. Turn the engine slowly with the pull rope to distribute the oil. Reinstall the spark plug. Change the engine oil.

---

# 10000W Dual-Fuel Generator

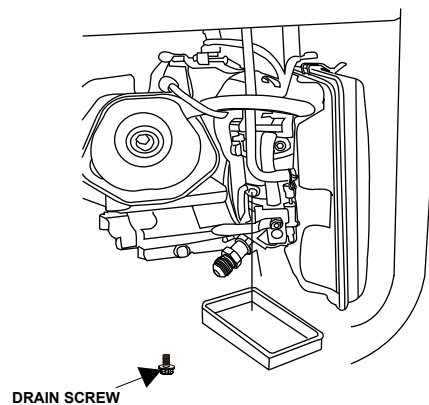
---

## Transporting/Storage

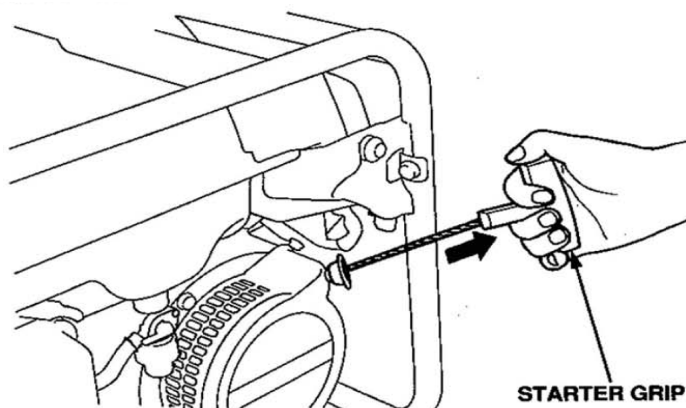
1. Drain the carburetor by loosening the drain screw. Drain the gasoline into a suitable container.

**⚠ WARNING**

**Gasoline is extremely flammable and is explosive under certain conditions. Perform this task in a well ventilated area with the engine stopped. Do not smoke or allow flames or sparks in the area during this procedure.**



2. Change the engine oil
3. Remove the spark plug, and pour about a tablespoon of clean engine oil into the cylinder. Crank the engine several revolutions to distribute the oil, then reinstall the spark plug.
4. Slowly pull the starter grip until resistance is felt. At this point, the piston is coming up on its compression stroke and both the intake and exhaust valves are closed. Storing the engine in this position will help to protect it from internal corrosion.



---

# Owner's Manual

---

## Installation



**NOTE: PRIOR TO POWERING TOOLS AND EQUIPMENT MAKE SURE THE GENERATOR'S RATED VOLTAGE, WATTAGE AND AMPERAGE CAPACITY IS ADEQUATE TO SUPPLY ALL ELECTRICAL LOADS THAT THE UNIT WILL POWER. IF POWERING EXCEEDS THE GENERATOR'S CAPACITY, IT MAY BE NECESSARY TO GROUP ONE OR MORE OF THE TOOLS AND/OR EQUIPMENT FOR CONNECTION TO A SEPARATE GENERATOR.**

Electrical and other permits may be required for the installation of emergency power systems. Investigate your local building and electrical codes before installing this unit. Installation must be completed by licensed contractors.



**WARNING! THE GENERATOR WEIGHS APPROXIMATELY 220 POUNDS. USE CARE AND THE PROPER LIFTING OR HOISTING EQUIPMENT WHEN MOVING IT TO THE INSTALLATION LOCATION. ALWAYS CONNECT HOIST LINES TO THE FRAME OF THE GENERATOR.**

## General Location

- Make sure to locate and install the generator outdoors where cooling air is readily available.
- Install the generator so that the air inlets and outlets are not blocked by obstructions such as bushes, trees, or snow drifts. Locating it in the path of heavy winds or snowdrifts may require the placement of a barrier for protection. In normal weather conditions, the air vent should face the prevailing wind direction.
- Install the generator on a concrete slab or other area where rain drainage or flood waters can not reach it.
- Generator placement should allow four feet of access to all sides for maintenance.
- Place the generator as close as possible to the electrical tools and equipment being powered to reduce the length of extension cords.



---

# 10000W Dual-Fuel Generator

---

## Installation (cont'd)

### Supporting and Mounting

Mount the generator on a concrete slab capable of supporting the weight of the generator. The slab must extend on all sides beyond the frame by at least one foot. Contact a cement contractor for slab specifications if necessary. Attach the frame to the concrete slab using 3/8" diameter expansion anchor bolts (not supplied).

### Grounding



**NOTE: IT IS RECOMMENDED THAT ONLY A TRAINED AND LICENSED ELECTRICIAN PERFORM THIS PROCEDURE**

Connect a #6 AWG grounding wire (not included) from the ground connector on the generator to a grounding rod (not included) that has been driven at least 24 inches deep into the earth. The grounding rod must be an earth-driven copper or brass rod (electrode) which can adequately ground the generator.

---

# Owner's Manual

---

## Specifications

### AC electrical

---

AC Load	120V/240V
Continuous/rated Wattage	8000W (Gasoline) / 7000W (Propane)
Peak Wattage	10000 W (Gasoline) / 8500W (Propane)
Outlet	2-AC Duplex 120V Outlets 1-120/240V Twist-Lock Outlet

---

### DC electrical

---

12V	8.3 A
-----	-------

---

### Gasoline engine

---

Type	4-cycle OHV air-cooled recoil start & electric start
Displacement	420cc
Oil capacity	1.16 quart (1.1 liter)
EPA approved	yes
Noise level	76 dB

---

### Fuel

---

Type	Unleaded gasoline /Propane
Capacity	8 gallons
Running time	11 hours(approx.) @ 1/2 load

---

### Weight

---

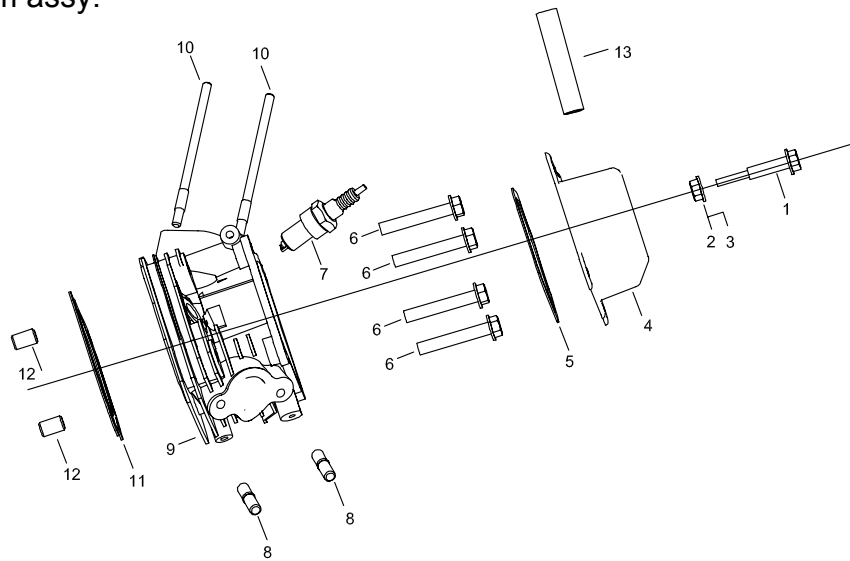
Approximate weight	220 lbs.
--------------------	----------

---

# **PARTS LISTING**

# 10000W Dual-Fuel Generator

Cylinder head system assy.

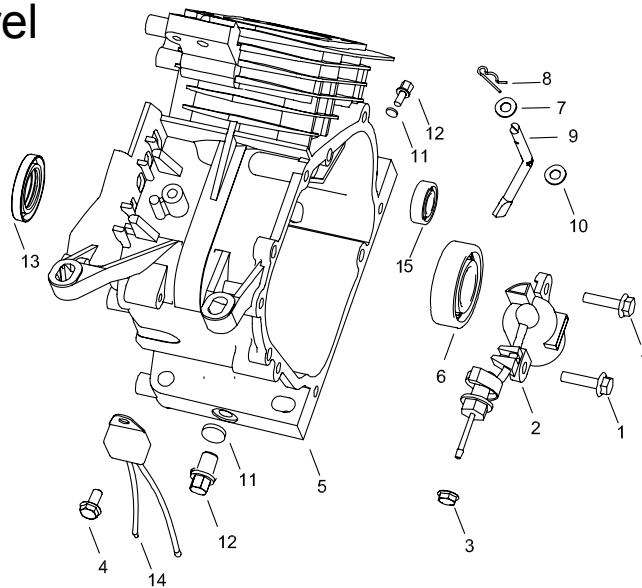


**A**

APA Part No.	JD Part No.	Description	Qty
APGG10000-A-01-JD	JF240.1.1-4	HEAD COVER COMP. BOLT	1
APGG10000-A-02-JD	JF240.1.1-6	HEAD COVER WASHER COMP	1
APGG10000-A-03-JD	JF240.1.1-5	WASHER COVER PACKING	1
APGG10000-A-04-JD	JF240.1.3-1	HEAD COVER COMP	1
APGG10000-A-05-JD	JF240.1.1-3	HEAD COVER PACKING	1
APGG10000-A-06-JD	JF340.2-4	FLANGE BOLT (M10X80)	4
APGG10000-A-07-JD	JF168.10-1	SPARK PLUG	1
APGG10000-A-08-JD	JF240.1-4B	EXHAUST PIPE STUD BOLT	2
APGG10000-A-09-JD	JF420.1.1	CYLINDER HEAD COMP	1
APGG10000-A-10-JD	JF240.1-2B	CARBURETOR STUD BOLT	2
APGG10000-A-11-JD	JF420.2-3	CYLINDER HEAD SEALING PAD	1
APGG10000-A-12-JD	JF340.2-5	DOWEL PIN ( φ10×φ12×20)	2
APGG10000-A-13-JD	JF340.1.1-2B	BREATHER TUBE	1

# 10000W Dual-Fuel Generator

## Cylinder barrel

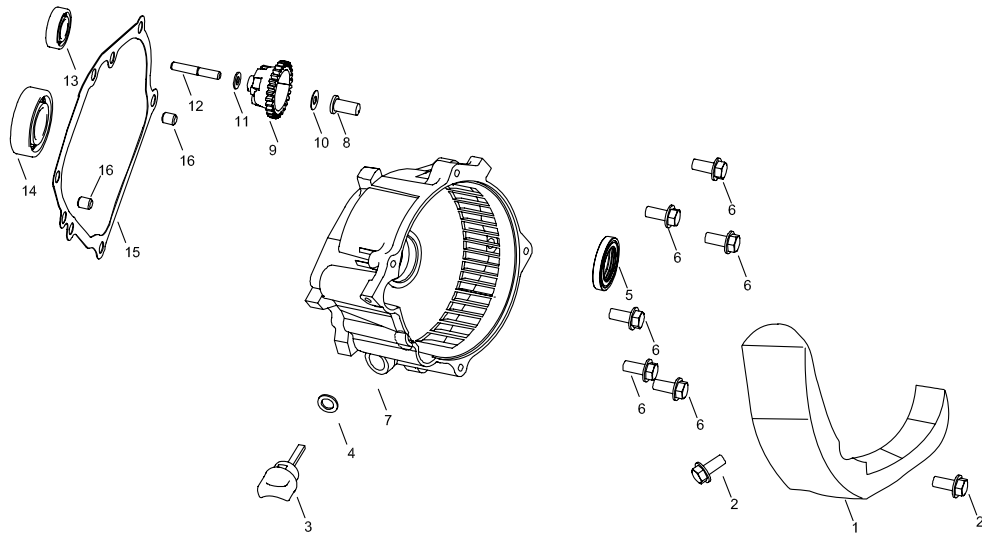


**B**

APA Part No.	JD Part No.	Description	Qty
APGG10000-B-01-JD	20.4-M6*16	HEX HEAD FLANGE BOLT (M6X 16)	2
APGG10000-B-02-JD	JF340.14.1	OIL LEVEL SWITCH ASSY	1
APGG10000-B-03-JD	20.6-M10	FLANGE NUT (M10)	1
APGG10000-B-04-JD	20.4-M6*12	HEX HEAD FLANGE BOLT (M6X 12)	1
APGG10000-B-05-JD	JF420.2.1-1	CRANK CASE	1
APGG10000-B-06-JD	20.2-6207	BALL BEARING (6207)	1
APGG10000-B-07-JD	JF168.11.2-8	WASHER( $\varnothing 8.3 \times \varnothing 17 \times 1$ )	1
APGG10000-B-08-JD	JF168.11.2-2	LOCK PIN (10 mm)	1
APGG10000-B-09-JD	JF340.11.2-1	GOVERNOR ARM SHAFT	1
APGG10000-B-10-JD	JF340.11.2-9	OILSEAL ( $\varnothing 8 \times \varnothing 14 \times 5$ )	1
APGG10000-B-11-JD	JF240.2-7	DRAIN PLUG WASHER (12mm)	1
APGG10000-B-12-JD	JF240.2-6	DRAIN PLUG BOLT	1
APGG10000-B-13-JD	20.1-35*52*7	OIL SEAL 35*52*7	1
APGG10000-B-14-JD	JF168.14-1	OIL PROTECTOR	1
APGG10000-B-15-JD	20.2-6202	BALL BEARING (6202)	1

# 10000W Dual-Fuel Generator

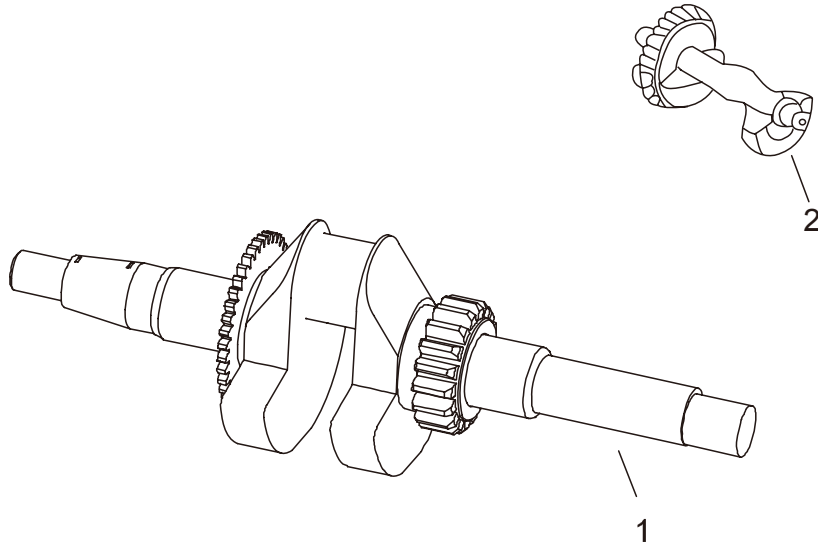
Crankcase cover system assy.



APA Part No.	JD Part No.	Description	Qty
APGG10000-C-01-JD	JF340.17.3	DUCT COVER	1
APGG10000-C-02-JD	20.4-M8*35	FLANGE BOLT (M8 X 35)	1
APGG10000-C-03-JD	JF240.15-3B	OIL SCALE	1
APGG10000-C-04-JD	JF340.15-5	OIL SCALE SEAL RING	1
APGG10000-C-05-JD	20.1-35*52*7	OIL SEAL	1
APGG10000-C-06-JD	JF340.15-2	FLANGE BOLT (M8X35)	6
APGG10000-C-07-JD	JF340.15-1B	CRANKCASE COVER	1
APGG10000-C-08-JD	JF340.11.1-3	GOVERNOR SLIDER	1
APGG10000-C-09-JD	JF340.11.1.1	GOVERNOR GEAR	1
APGG10000-C-10-JD	JF340.11.1-1	SLIDER WASHER (6 mm)	1
APGG10000-C-11-JD	JF168.11.1-2	GOVERNOR GEAR WASHER	1
APGG10000-C-12-JD	JF340.11.1.2	SLIDER SHAFT	1
APGG10000-C-13-JD	20.2-6202	BALL BEARING (6202)	1
APGG10000-C-14-JD	20.2-6207	BALL BEARING (6207)	1
APGG10000-C-15-JD	JF340.2-2	CRANKCASE COVER PAD	1
APGG10000-C-16-JD	JF168.15-4	DOWEL PIN (8X12)	2

# 10000W Dual-Fuel Generator

Crankshaft system assy.

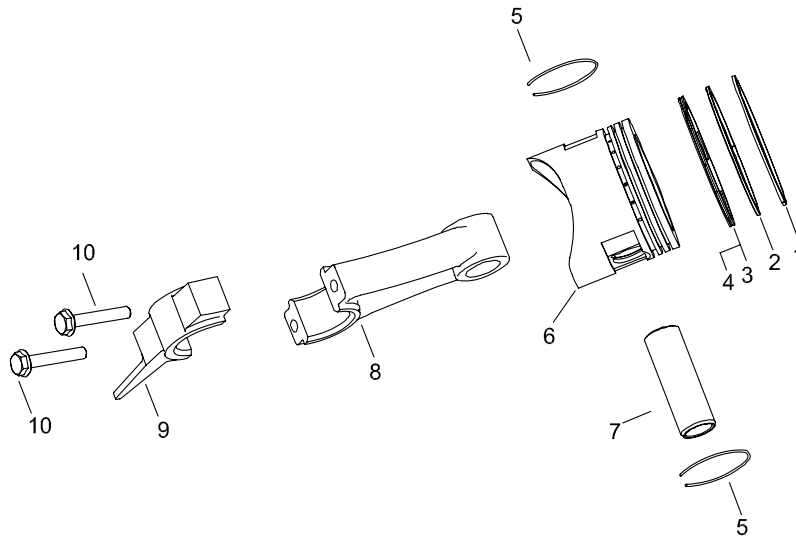


D

APA Part No.	JD Part No.	Description	Qty
APGG10000-D-01-JD	JF420.4.2	CRANKSHAFT COMP.(Tapper shaft)	1
APGG10000-D-02-JD	JF340.4-2	BALANCER WEIGHT	1

# 10000W Dual-Fuel Generator

## Piston & Connecting Rod Assy.



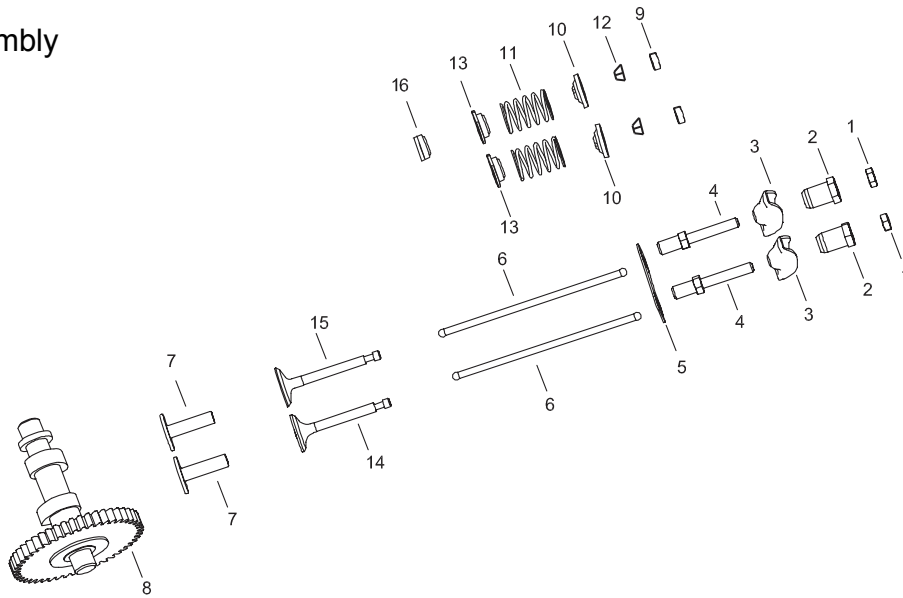
**E**

APA Part No.	JD Part No.	Description	Qty
APGG10000-E-01-JD	JF420.3-1C	COMPRESSION RING A	1
APGG10000-E-02-JD	JF420.3-2C	COMPRESSION RING B	1
APGG10000-E-03-JD	JF420.3-3C-1	OIL RING A	1
APGG10000-E-04-JD	JF420.3-3C-2	OIL RING B	1
APGG10000-E-05-JD	JF340.3-6	PISTON PIN CLIP (20 mm)	1
APGG10000-E-06-JD	JF420.3-5C	PISTON	1
APGG10000-E-07-JD	JF390.3-4	PISTON PIN	1
APGG10000-E-08-JD	JF420.3.1-1	CONNECTING ROD	1
APGG10000-E-09-JD	JF340.3.1-2	CONNECTING COVER	1
APGG10000-E-10-JD	JF340.3.1-3	CONNECTING ROD BOLT	2



# 10000W Dual-Fuel Generator

## Valve Train Assembly

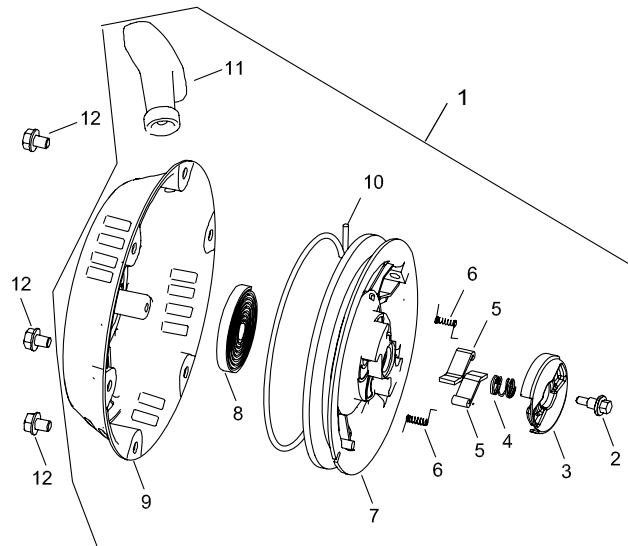


**F**

APA Part No.	JD Part No.	Description	Qty
APGG10000-F-01-JD	JF168.1.2-17	PIVOT ADJUSTING NUT	2
APGG10000-F-02-JD	JF340.1.2-8	ROCKER ARM PIVOT	2
APGG10000-F-03-JD	JF340.1.2-9	ROCKER ARM	2
APGG10000-F-04-JD	JF340.1.2-7	PIVOT BOLT (M8)	2
APGG10000-F-05-JD	JF340.1.2-16	PUSH ROD GUIDE PLATE	2
APGG10000-F-06-JD	JF340.1.2-14	ROD PUSH	2
APGG10000-F-07-JD	JF340.1.2-15	VALVE LIFTER	2
APGG10000-F-08-JD	JF340.5	CAMSHAFT	1
APGG10000-F-09-JD	JF340.1.2-13	EX. VALVE HELMET	2
APGG10000-F-10-JD	JF340.1.2-11	VALVE SPRING RETAINER	2
APGG10000-F-11-JD	JF420.1.2-10	VALVE SPRING	2
APGG10000-F-12-JD	JF340.1.2-12	VALVE SPILT COLLAR	4
APGG10000-F-13-JD	JF340.1.2-19	VALVE SPRING SEAT	2
APGG10000-F-14-JD	JF420.1.2-3	EX. VALVE	1
APGG10000-F-15-JD	JF340.1.2-4B	IN. VALVE	1
APGG10000-F-16-JD	JF340.1.2.1	OIL SEAL	1

# 10000W Dual-Fuel Generator

## Recoil Starter Assy.

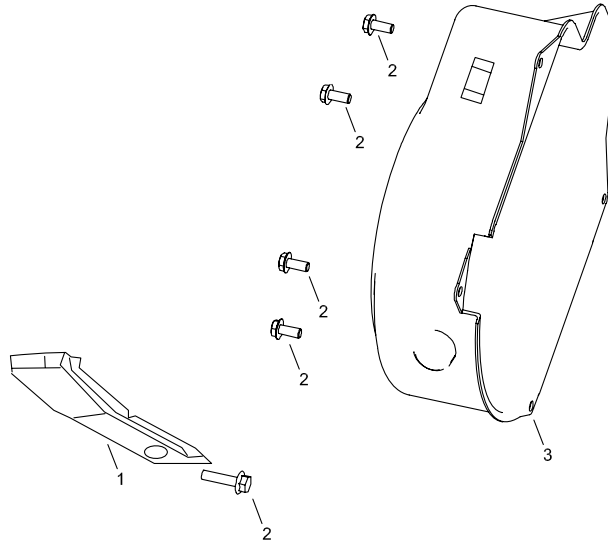


**G**

APA Part No.	JD Part No.	Description	Qty
APGG10000-G-01-JD	JF340.13.1	RECOIL STARTER ASSY.	1
APGG10000-G-02-JD	JF340.13.1-7	SETTING SCREW	1
APGG10000-G-03-JD	JF340.13.1-6	SPRING RETAINER	1
APGG10000-G-04-JD	JF340.13.1-8	PLATEN SPRING	2
APGG10000-G-05-JD	JF340.13.1-5	STARTER DETENT	2
APGG10000-G-06-JD	JF340.13.1-4	DETENT SPRING	2
APGG10000-G-07-JD	JF340.13.1-3	RECOIL STARTER REEL	1
APGG10000-G-08-JD	JF340.13.1-9	START RETURN SPRING	1
APGG7500-G-09-JD	JF340.13.1.1	RECOIL STARTER CASE COMP.	1
APGG10000-G-10-JD	JF340.13.1-2	RECOIL STARTER ROPE	1
APGG10000-G-11-JD	JF340.13.1-1	STARTER KNOB	1
APGG10000-G-12-JD	20.4-M6*8	FLANGE BOLT (M6X8)	3

# 10000W Dual-Fuel Generator

Fan Cover Assy.

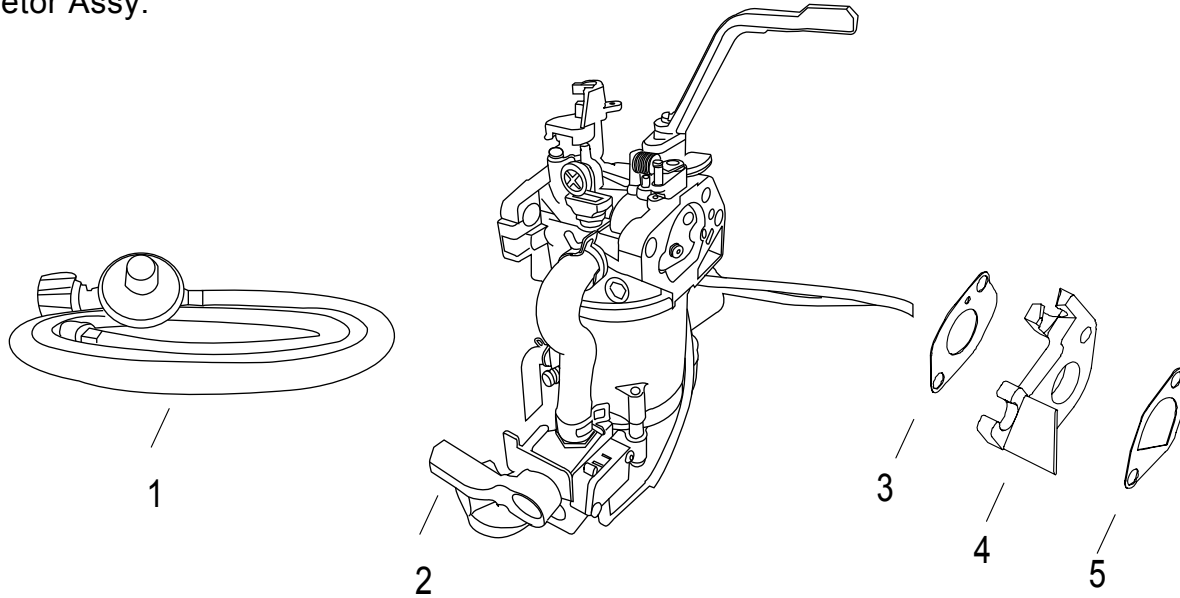


H

APA Part No.	JD Part No.	Description	Qty
APGG10000-H-01-JD	JF420.12-1	SHROUD	1
APGG10000-H-02-JD	20.4-M6*12	FLANGE BOLT (M6 X 12)	4
APGG10000-H-03-JD	JF340.13.2	FAN COVER COMP.	1

# 10000W Dual-Fuel Generator

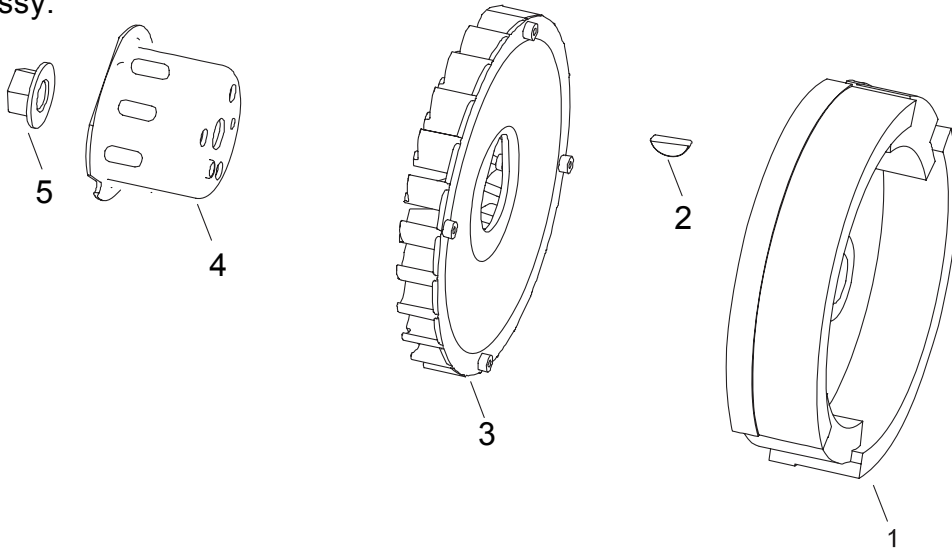
## Carburetor Assy.



APA Part No.	JD Part No	Description	Qty
APG10000GL-I-01-JD	JF420GL.9-4	PROPANE SUPPLY HOSE	1
APG10000GL-I-02-JD	JF420GL.9.2	CARBURETOR	1
APG10000-I-03-JD	JF340.9-3	CARBURETOR PAPER GASKET	1
APG10000-I-04-JD	JF340.9-1A	CARBURETOR INSULATING PLATE	1
APG10000-I-05-JD	JF340.1-3	INTAKE PIPE GASKET	1

# 10000W Dual-Fuel Generator

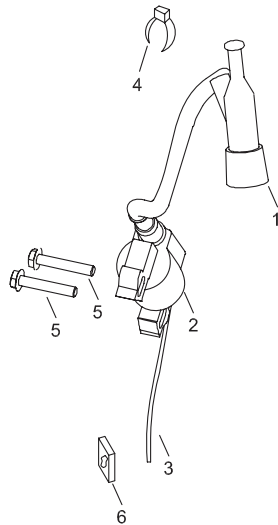
Flywheel Assy.



APA Part No.	JD Part No.	Description	Qty
APGG10000-J-01-JD	JF420.4.1	FLYWHEEL	1
APGG10000-J-02-JD	JF168.4.2-2	SPECIAL WOODRUFF KEY	1
APGG10000-J-03-JD	JF340.12-1	COOLING FAN	1
APGG10000-J-04-JD	JF340.13-1	STARTER PULLEY	1
APGG10000-J-05-JD	JF240.4-1	FLYWHEEL NUT (M16)	1

# 10000W Dual-Fuel Generator

## Ignition System Assy.

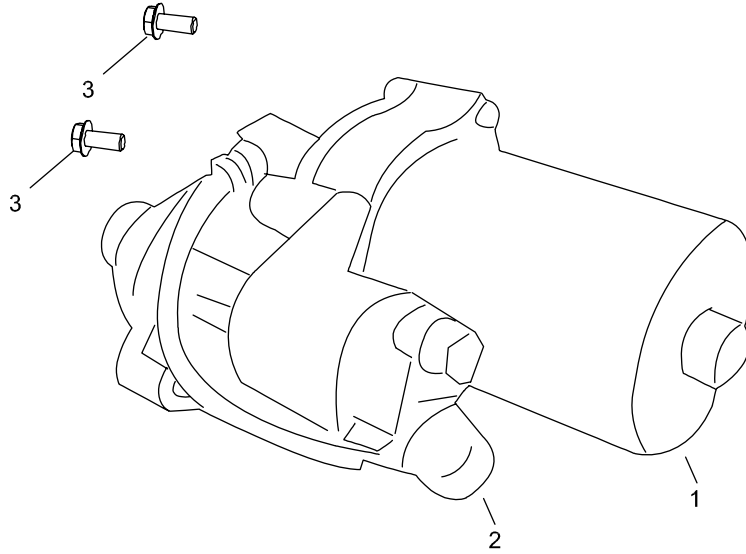


K

APA Part No.	JD Part No.	Description	Qty
APGG10000-K-01-JD	JF340.10.2-1	NOISE SUPPRESSOR CAP ASSY	1
APGG10000-K-02-JD	JF340.10.2-2	IGNITION COIL ASSY	1
APGG10000-K-03-JD	JF340.10.2-3	STOP SWITCH CORD	1
APGG10000-K-04-JD	JF340.10-3	STOP SWITCH CORD HOLDER	1
APGG10000-K-05-JD	20.4-M6*25	FLANGE BOLT (M6 X 25)	1
APGG10000-K-06-JD	JF340.12-4	CORD GROMMET	

# 10000W Dual-Fuel Generator

Starter Motor Assy.

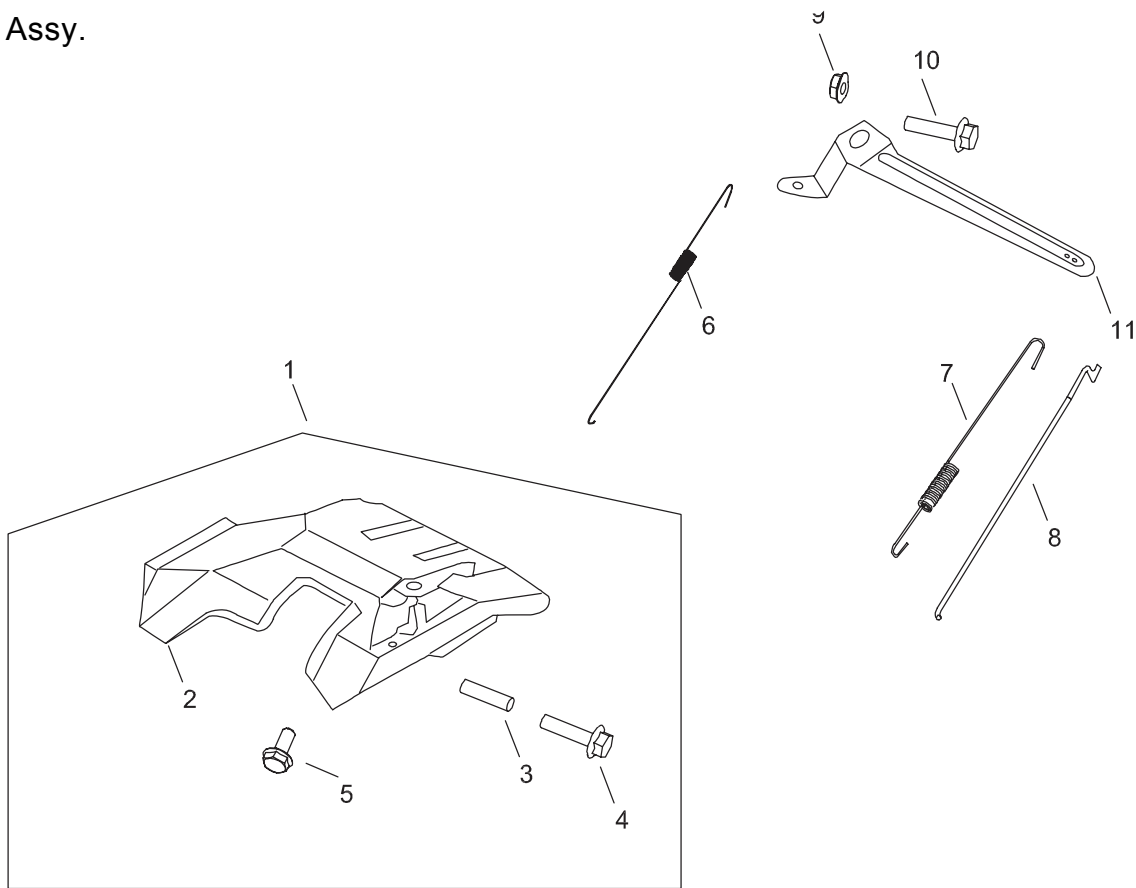


L

APA Part No.	JD Part No.	Description	Qty
APGG10000-L-01-JD	JF340.18-1	STARTER MOTOR	1
APGG10000-L-02JD	JF340.18-2	SOLENOID	1
APGG10000-L-03-JD	20.4-M8*35	FLANGE BOLT (M8×35)	2

# 10000W Dual-Fuel Generator

Control Assy.



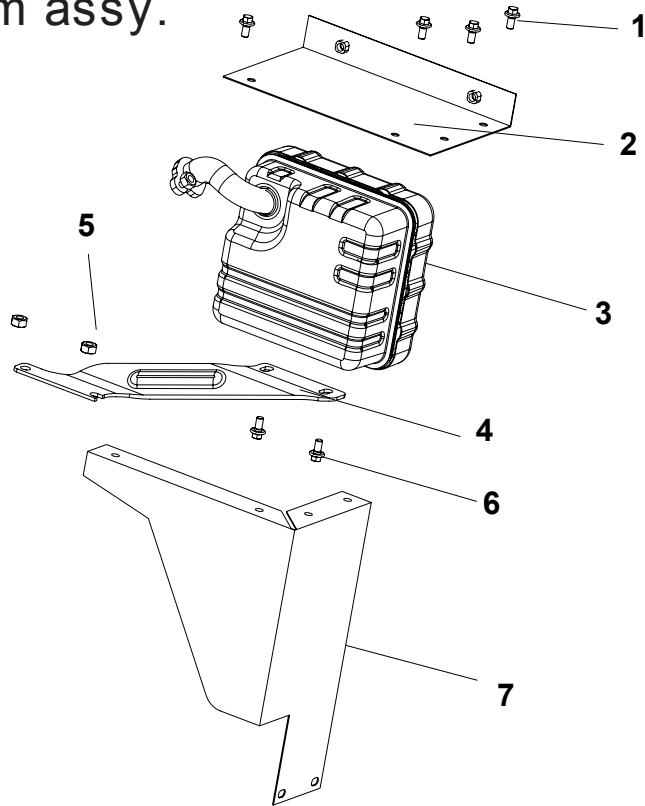
**M**

APA Part No.	JD Part No.	Description	Qty
APGG10000-M-01-JD	JF340.11.4	CONTROL ASSY.	1
APGG10000-M-02-JD	JF340.11.4-1	CONTROL BASE COMP.	1
APGG10000-M-03-JD	JF340.11.4-3	CONTROL ADJUSTING SPRING	1
APGG10000-M-04-JD	JF340.11.4-4	PAN SCREW (M5 X 34)	1
APGG10000-M-05-JD	20.4-M6*12	FLANGE BOLT (M6 X 12)	1
APGG10000-M-06-JD	JF340.11.2-5A	THROTTLE RETURN SPRING	1
APGG10000-M-07-JD	JF340.11.2-6	GOVERNOR SPRING	1
APGG10000-M-08-JD	JF340.11.2-7	GOVERNOR ROD	1
APGG10000-M-09-JD	20.6-M6	FLANGE NUT (M6)	1
APGG10000-M-10-JD	JF168.11.2-3	GOVERNOR ARM BOLT (M6)	1
APGG10000-M-11-JD	JF340.11.2-4	CONTROL ARM	1



# 10000W Dual-Fuel Generator

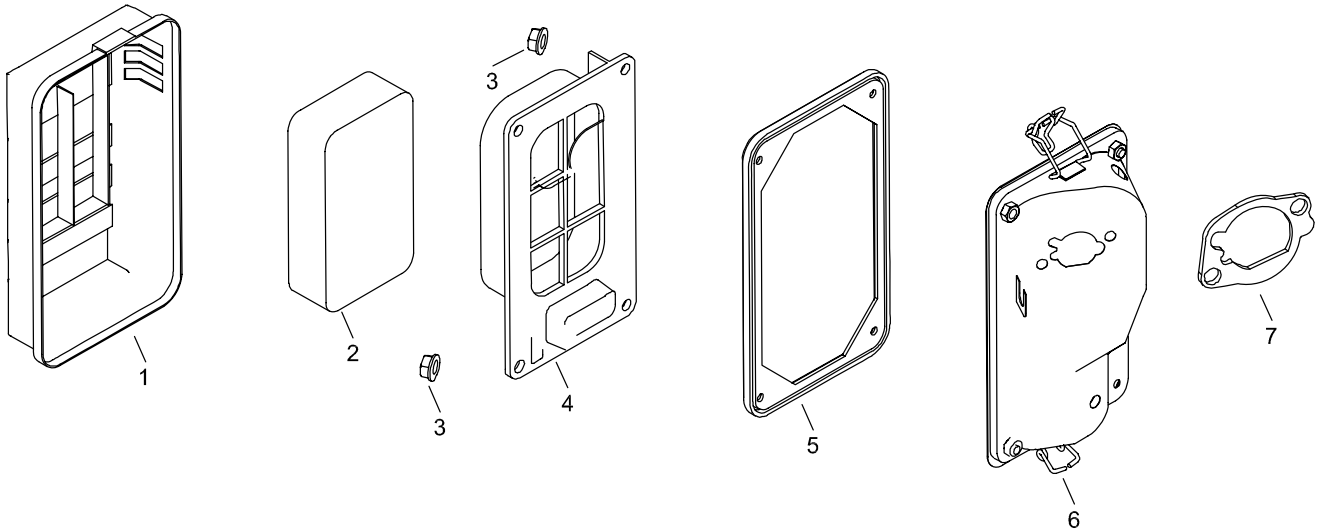
Muffler system assy.



APA Part No.	JD Part No.	Description	Qty	N
G10000EGL-N-01-JD	20.4-M6*12	FLANGE BOLT (M6x12)	4	
G10000EGL-N-02-JD	G7500.17-1	TOP BAFFLE,MUFFLER	1	
G10000EGL-N-03-JD	JC6500.7.2.1	MUFFLER BODY .	1	
G10000EGL-N-04-JD	JC6500.7-6	SIDE BAFFLE,MUFFLER	1	
G10000EGL-N-05-JD	20.6-M8	FLANGE NUT(M8)	2	
G10000EGL-N-06-JD	20.4-M6*12	FLANGE BOLT(M6x12)	2	
G10000EGL-N-07-JD	G7500.17-2	MOUNTING PLATE,MUFFLER	1	

# 10000W Dual-Fuel Generator

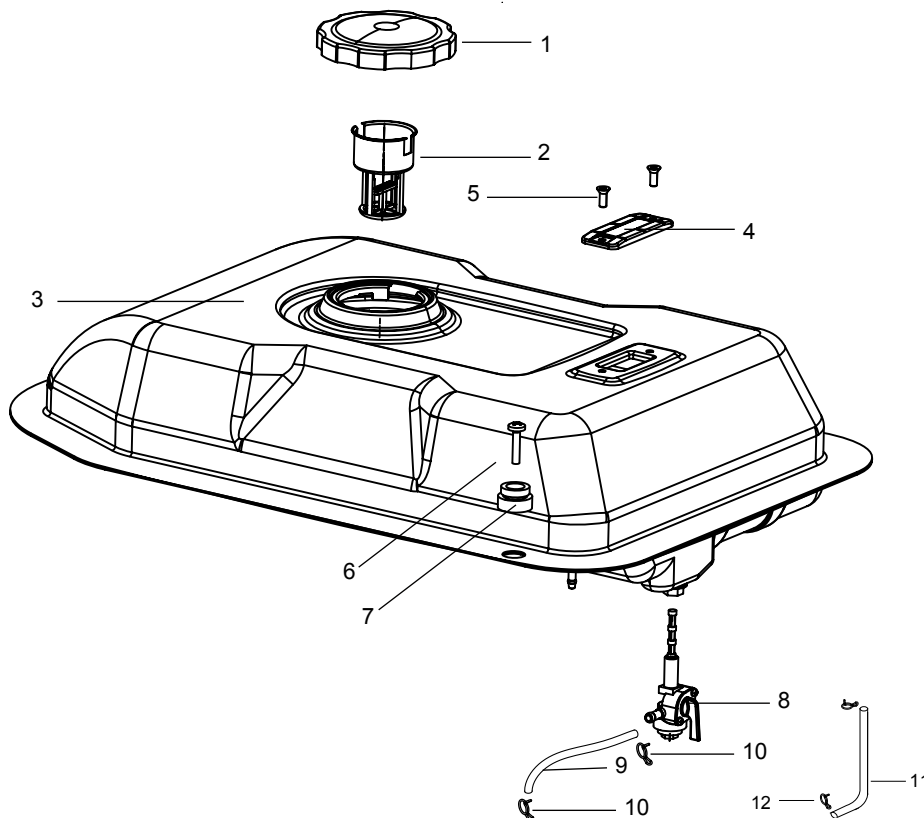
## Air Cleaner



APA Part No.	JD Part No.	Description	Qty
G10000EGL -O-01-JD	JF240.6.2-1	AIR CLEANER COVER COMP	1
G10000EGL -O-02-JD	JF240.6.2-2	AIR CLEANER ELEMENT	1
G10000EGL -O-03-JD	20.6-M5	FLANGE NUT (M5)	6
G10000EGL -O-04- D	JF240.6.2-4	AIR CLEANER SEPARATOR	1
G10000EGL -O-05-JD	JF240.6.2-3	AIR CLEANER SEAL	1
G10000EGL -O-06-JD	JF240.6.2-5	AIR CLEANER CASE COMP	1
G10000EGL -O-07-JD	JF240.6.1-6	BREATHER GASKET	1

# 10000W Dual-Fuel Generator

## Fuel tank system assy

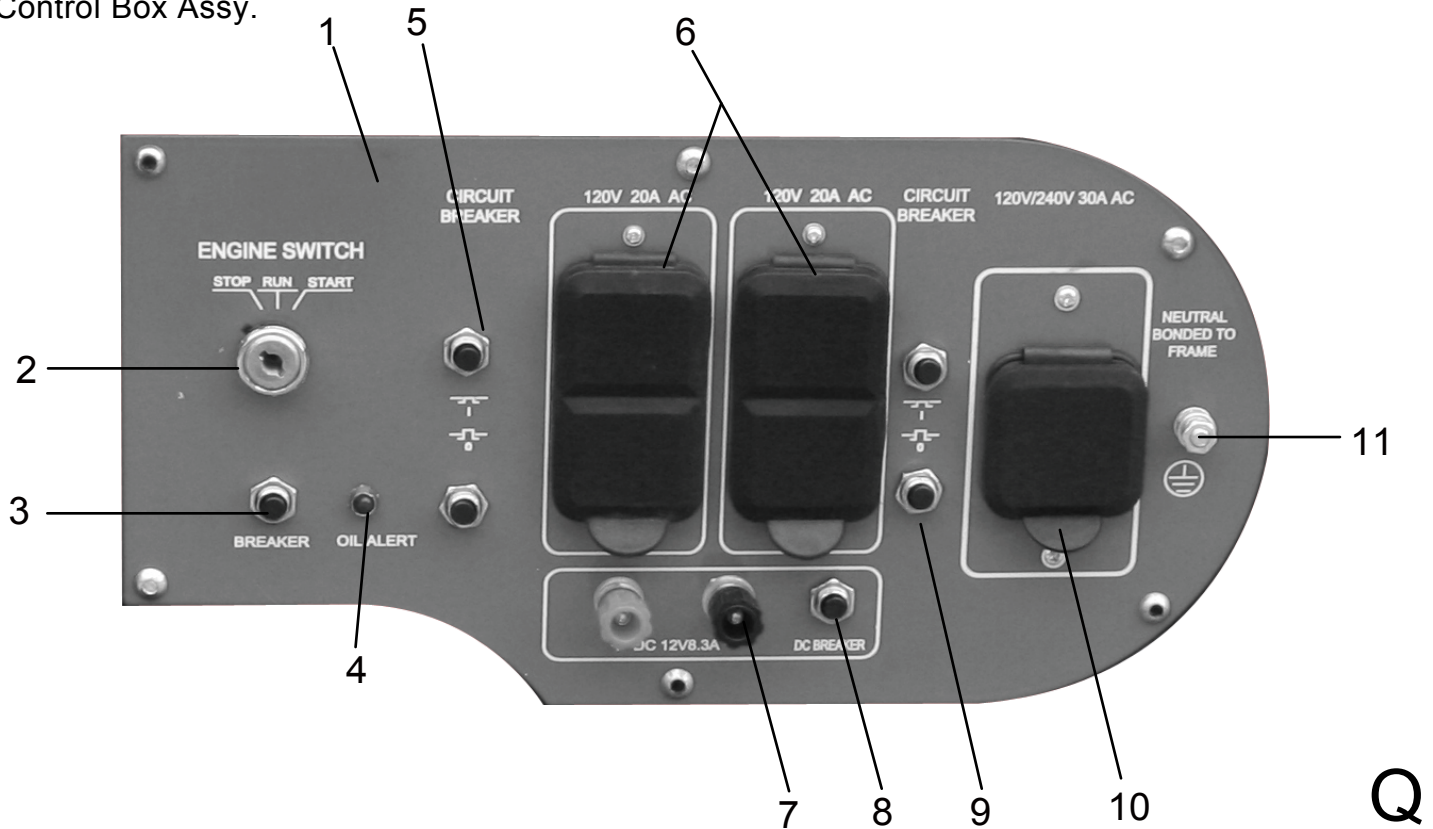


**P**

APA Part No.	JD Part No.	Description	Qty
G10000EGL-P-01-JD	STORM 6250.8.1.1	FUEL FILLER CAP COMP	1
G10000EGL-P-02-JD	JF154.84	FUEL FILTER	1
G10000EGL-P-03-JD	G7500.8.2.1	FUEL TANK COMP.	1
G10000EGL-P-04-JD	JF168 .8.1A.2	FUELRESTRAIN VALVE ASS	1
G10000EGL-P-05-JD	20.11-M5	FLANGE BOIT	2
G10000EGL-P-06-JD	20.4-M6 * 25	FLANGE BOIT	4
G10000EGL-P-07-JD	G3250.8.2.1-1	CONTROL BOX RUBBER	4
G10000EGL-P-08-JD	G7500.8.2.1-2	OVERFLOW VALVE	1
G10000EGL-P-09-JD	G7500.8-1	FUEL TUBE	1
G10000EGL-P-10-JD	G7500.8-3	TUBE CLIP	2
G10000EGL-P-11-JD	JF168.8-6	EVAPORATIVE TUBE	1
G10000EGL-P-12-JD	JF168.8-7	SPRING, EVAPORATIVE TUBE	2

# 10000W Dual-Fuel Generator

Control Box Assy.

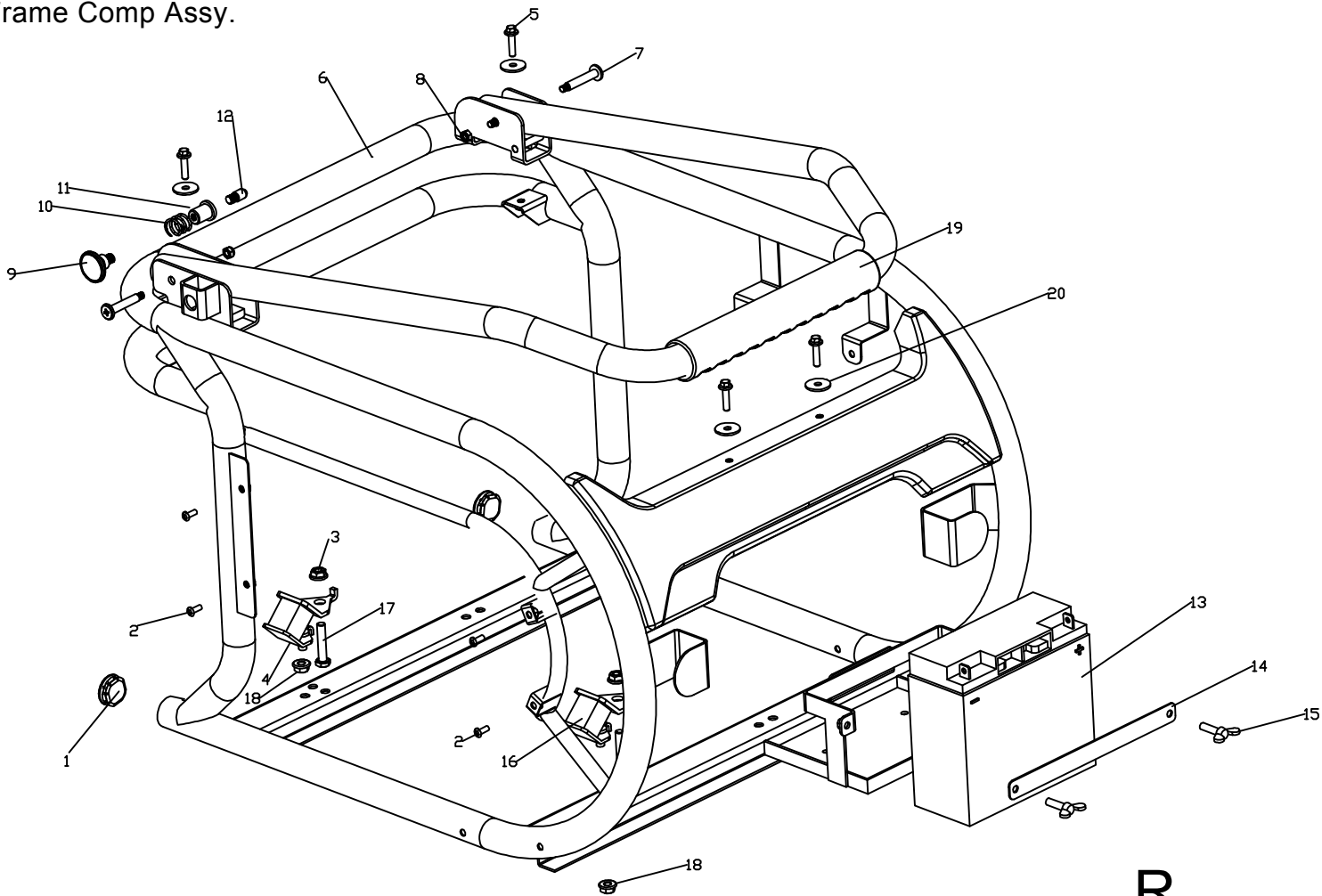


Q

APA Part No.	JD Part No.	Description	Qty
G10000EGL-Q-01-JD	G7500.21.2	CONTROL PANEL COMP.	1
G10000EGL-Q-02-JD	G7500.21.3-1	ENGINE SWITCH ASSY.	1
G10000EGL-Q-03-JD	G7500.21.3-2	BREAKER	1
G10000EGL-Q-04-JD	G3250.21.3-1	OIL ALERT LAMP	1
G10000EGL-Q-05-JD	G7500.21.3-3	CIRCUIT PROTECTOR(20A)	2
G10000EGL-Q-06-JD	G3250.21.3-2	120V RECEPTACLE	2
G10000EGL-Q-07-JD	G1800.21.3-1	DC12V OUTPUT	2
G10000EGL-Q-08-JD	G1800.21.3-6	DC BREAKER	1
G10000EGL-Q-09JD	G7500.21.3-4	CIRCUIT PROTECTOR(20A)	2
G10000EGL-Q-10-JD	G3250.21.3-3	120V RECEPTACLE	1
G10000EGL-Q-11-JD	G1800.21.3-3	EARTH TERMINAL SCREW	1

# 10000W Dual-Fuel Generator

## Frame Comp Assy.



R

APA Part No.	JD Part No.	Description	Qty
G10000EGL-R-01-JD	JD-T5000.17.4-3	PLASTIC PLUG	2
G10000EGL-R-02-JD	20.22-M6	FLANGE BOLT(M6X12)	4
G10000EGL-R-03-JD	20.6-M10	FLANGE NUT(M8)	4
G10000EGL-R-04-JD	JF340.17.2A	BOTTOM RUBBER-A(M8)	2
G10000EGL-R-05-JD	20.4-M6*25	FLANGE BOLT(M6X25)	4
G10000EGL-R-06-JD	G7500.17	FRAME COMP	1
G10000EGL-R-07-JD	JW6500.17.10.1.3	FLANGE BOLT(M6X54)	2
G10000EGL-R-08-JD	20.17-M6	FLANGE NUT(M6)	2
G10000EGL-R-09-JD	G3250.17.5-3	BLACK KNOB	1
G10000EGL-R-10-JD	JW2500.17.10.1.5-4	SPRING	1
G10000EGL-R-11-JD	JW2500.17.10.1.5-3	HANDLE PIN AXLE	1
G10000EGL-R-12-JD	G3250.17.10.1.5-1	HANDLE PIN	1

---

# 10000W Dual-Fuel Generator

---

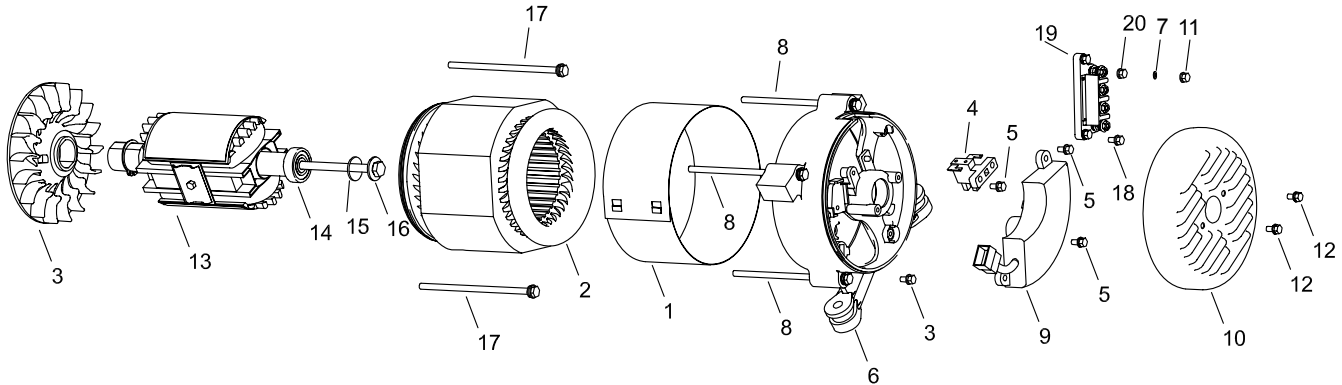
## Frame comp assy.

G10000EGL-R-13-JD	JF340.18-6	Battery	1
G10000EGL-R-14-JD	G7500.17-11	Battery Platen	1
G10000EGL-R-15-JD	20.27-M6*25	FLANGE BOLT(M6X25)	2
G10000EGL-R-16-JD	JF340.17.2B	BOTTOM RUBBER-B(M8)	2
G10000EGL-R-17-JD	20.4-M10*40	FLANGE BOLT(M10X40)	4
G10000EGL-R-18-JD	20.6-M10	FLANGE NUT(M10)	4
G10000EGL-R-19-JD	G7500.17.10.1-2	HANDLE GR I P	1
G10000EGL-R-20-JD	G7500.11.3-4	WASHER(M6)	4

---

# 10000W Dual-Fuel Generator

Generator



**S**

APA Part No.	JD Part No	Description	Qty.
APGG10000 -S-01-JD	7KW.25.3A	STATOR COVER	1
APGG10000 -S-02-JD	7.5KW.25.02B	STATOR ASSY	1
APGG10000 -S-03-JD	5KW.25.2-8A	COOLING FAN	1
APGG10000 -S-04-JD	5KW.25.4A	BRUSH ASSY	1
APGG10000 -S-05-JD	20.4-M5*16*0.75	TAPPING SCREW	3
APGG10000 -S-06-JD	JF240.22-1	RR HOUSING	1
APGG10000 -S-07-JD	20.9-M5	SPRING WASHER (5mm)	4
APGG10000 -S-08-JD	20.3-M6*187	FLANGE BOLT (M6X 179)	4
APGG10000 -S-09-JD	AVR-7KW	AUTO VOLTAGE REG. ASSY	1
APGG10000 -S-10-JD	JF240.22-3	GENERATOR COVER	1
APGG10000 -S-11-JD	20.9-M5	HEX.NUT (M5)	4
APGG10000 -S-12-JD	20.7-M5*12*0.75	FLANGE BOLT	2
APGG10000 -S-13-JD	7.5kW.25.02C	ROTOR COMP	1
APGG10000 -S-14-JD	20.2-6204RS	BEARING ASSY	1
APGG10000 -S-15-JD	20.9-M10	PLAIN WASHER	1
APGG10000 -S-16-JD	20.4-M10*273*1.25	FLANGE BOLT (M10)	1
APGG10000 -S-17-JD	20.3-M5*222*0.8	FLANGE BOLT (M5)	2

---

# 10000W Dual-Fuel Generator

---

## Generator

APA Part No.	JD Part No.	Description	Qty
APGG10000-S-18-JD	20.4-M5*16*0.75	HEX.BOLT (M5 X 20)	2
APGG10000-S-19-JD	2KW.25.5-1	VOLT CHANGE TERMINAL BR-AC-W	1
APGG10000-S-20-JD	20.9-M5	PLAIN WASHER (5mm)	4

---

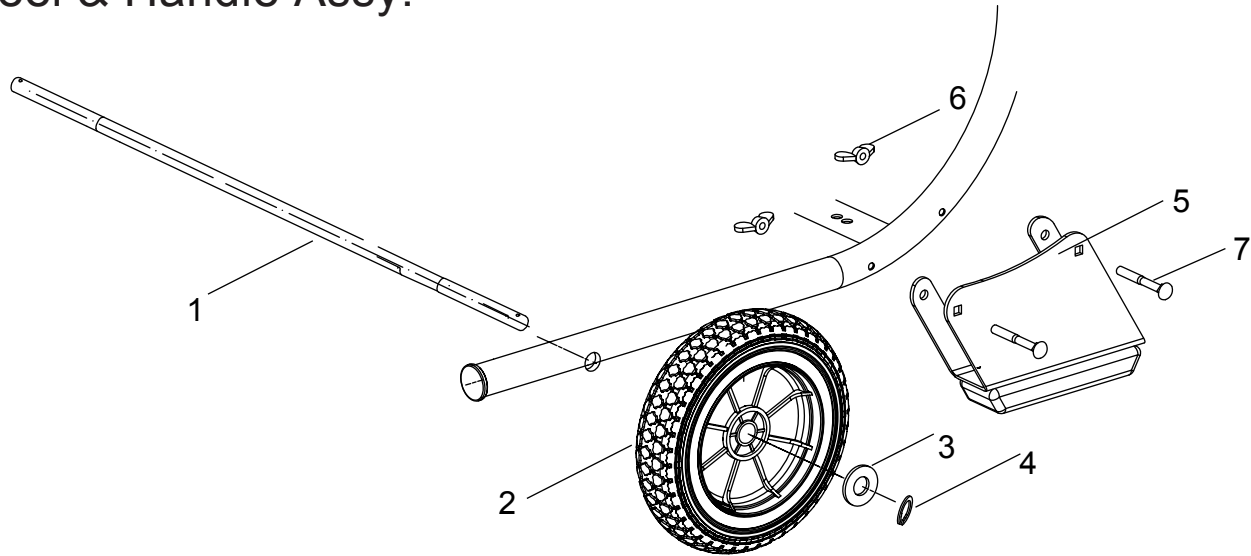
---

---



# 10000W Dual-Fuel Generator

## Wheel & Handle Assy.



T

APA Part No.	JD Part No.	Description	Qty
G1000EGL-T-01-JD	G3250.17-9-4	SHAFT	1
G1000EGL-T-02-JD	JW6500.17.10.1-1	WHEEL	2
G1000EGL-T-03-JD	G3250.17-9-4	PLAIN WASHER	2
G1000EGL-T-04-JD	G7500.17-9	C TYPE CLAMPING SPRINGS	2
G1000EGL-T-05-JD	G7500.17-5 G7500.17-6	LEG	2
G1000EGL-T-06-JD	GB/T 62.2 M10	FLANGE NUT	4
G1000EGL-T-07-JD	GB/T 13912 M6X50	FLANGE BOLT	4