

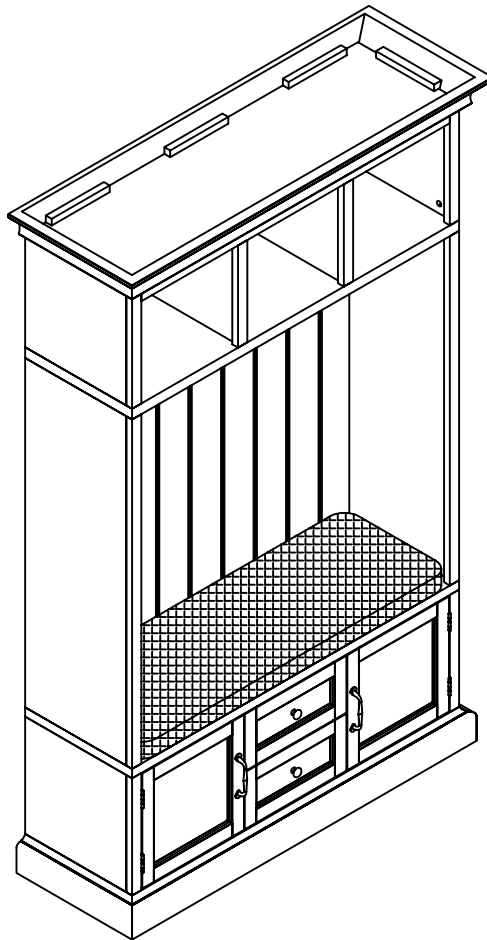
# HOME DECORATORS COLLECTION

1002960593	1002960595	1002960594
1002960562	1002960561	1002960563
1002960540	1002960542	1002960541

SK19075R1 ROYCE STORAGE LOCKER WITH CUSHION 78"Hx49"Wx17"D

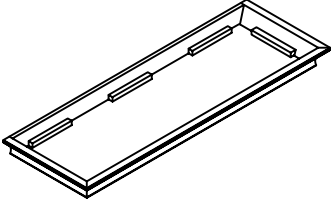
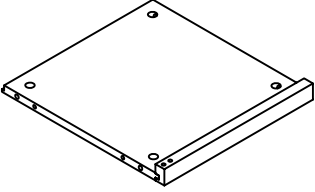
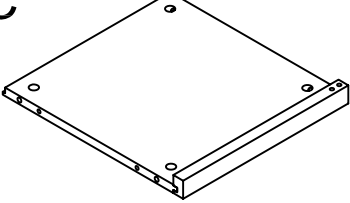
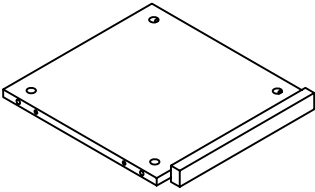
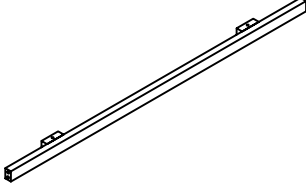
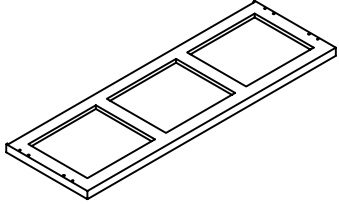
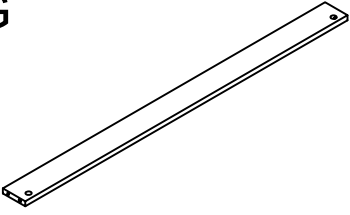
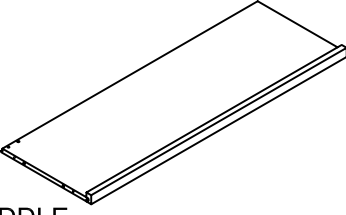
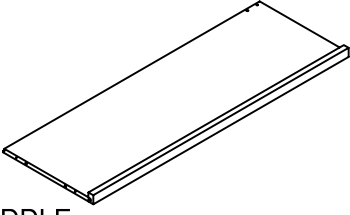
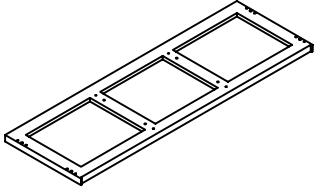
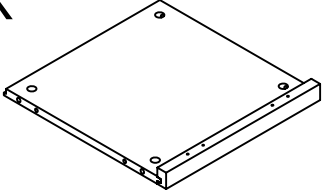
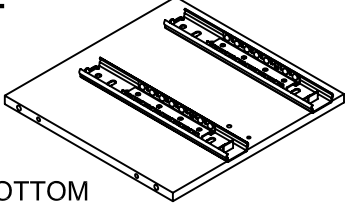
## ASSEMBLY INSTRUCTIONS

Made In China

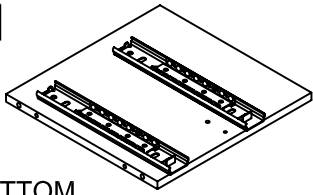


Thank you for purchasing this quality product. Be sure to check all packing material carefully for small parts, which may have come loose inside the carton during shipment. Count all parts and material hardware, then compare with parts list to be sure all parts are present, If any parts are missing or damaged, phone, fax, or mail to our Customer service Department for efficient and speedy service. Please indicate the model number and code letter of part(s) needed.

**IMPORTANT NOTE:** Follow instructions listed below in proper sequence as numbered to assure fast,easy and correct assembly.

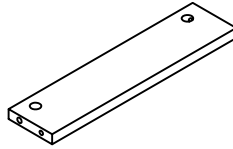
<b>PARTS LIST</b>		
<b>A</b> 	<b>B</b> 	<b>C</b> 
TOP PANEL-1PC	TOP LEFT SIDE PANEL-1PC	TOP RIGHT SIDE PANEL-1PC
<b>D</b> 	<b>E</b> 	<b>F</b> 
TOP PARTITION-2PCS	TOP CROSS BRACE-1PC	TOP FIXED PANEL-1PC
<b>G</b> 	<b>H</b> 	<b>I</b> 
BACK CROSS BRACE-1PC	MIDDLE LEFT SIDE PANEL-1PC	MIDDLE RIGHT SIDE PANEL-1PC
<b>J</b> 	<b>K</b> 	<b>L</b> 
BOTTOM FIXED PANEL-1PC	BOTTOM SIDE PANEL-2PCS	BOTTOM LEFT PARTITION-1PC

M



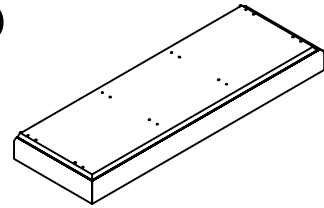
BOTTOM  
RIGHT PARTITION-1PC

N



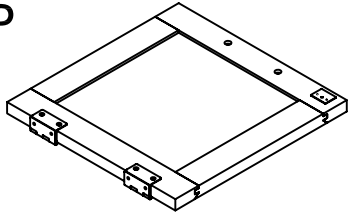
BOTTOM CROSS BRACE-1PC

O



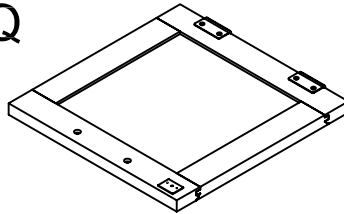
BOTTOM PANEL-1PC

P



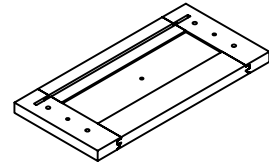
LEFT DOOR-1PC

Q



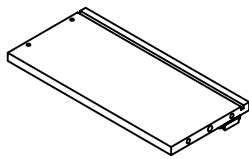
RIGHT DOOR-1PC

R



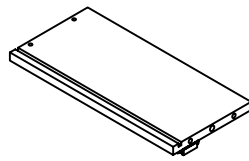
DRAWER FRONT PANEL-2PCS

S



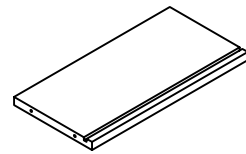
DRAWER  
LEFT SIDE PANEL-2PCS

T



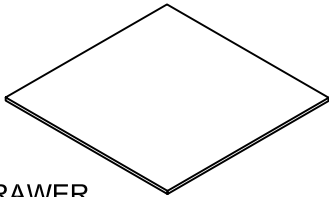
DRAWER  
RIGHT SIDE PANEL-2PCS

U



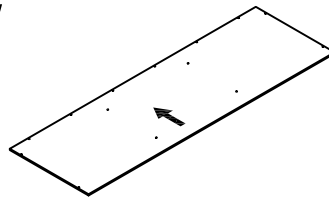
DRAWER BACK PANEL-2PCS

V



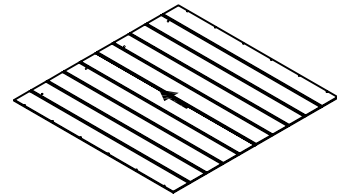
DRAWER  
BOTTOM PANEL-2PCS

W



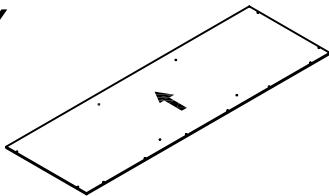
TOP BACK PANEL-1PC

X



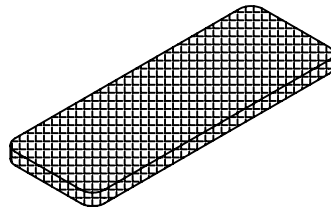
MIDDLE BACK PANEL-1PC

Y




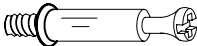

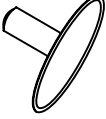

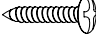


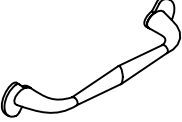

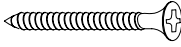
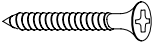


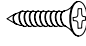
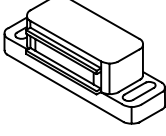




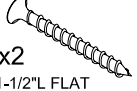
BOTTOM BACK PANEL-1PC

Z



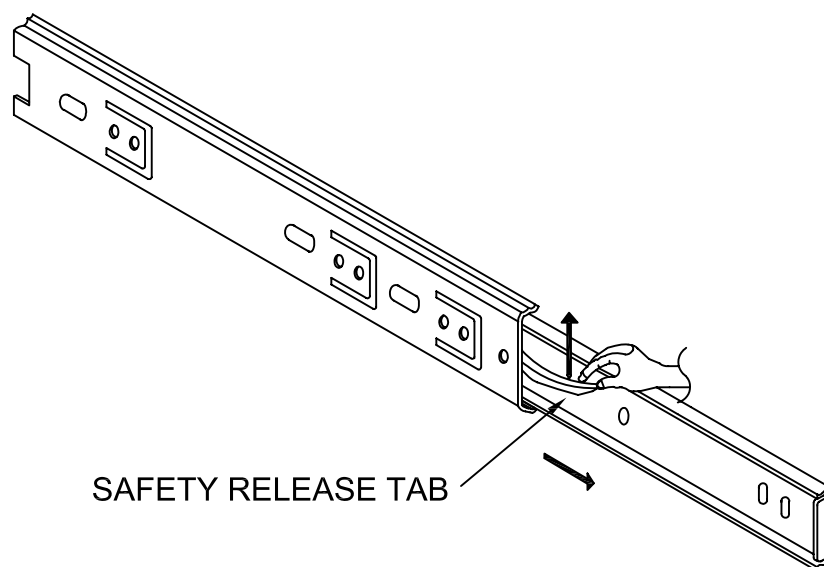
CUSHION-1PC

NOTE:THE SURFACE WITH THE STICKER IS THE BACK SIDE

<p><b>a</b></p>  <p>WOOD DOWEL-56PCS</p>	<p><b>b</b></p>  <p>CAM LOCK BOLT-40PCS</p>	<p><b>c</b></p>  <p>CAM LOCK-40PCS</p>
<p><b>d</b></p>  <p>LONG PLASTIC COVER-32PCS</p>	<p><b>e</b></p>  <p>SHORT PLASTIC COVER-4PCS</p>	<p><b>f</b></p>  <p>5/8"L ROUND HEAD SCREW-60PCS</p>
<p><b>g</b></p>  <p>METAL PLATE-12PCS</p>	<p><b>h</b></p>  <p>POTHOOK-3PCS</p>	<p><b>i</b></p>  <p>HANDLE-2PCS</p>
<p><b>j</b></p>  <p>Ø5/32"X7/8"L HANDLE BOLT-4PCS</p>	<p><b>k</b></p>  <p>1-1/2"L FLAT HEAD SCREW-8PCS</p>	<p><b>l</b></p>  <p>1"L FLAT HEAD SCREW-10PCS</p>
<p><b>m</b></p>  <p>KNOB-2PCS</p>	<p><b>n</b></p>  <p>Ø5/32"X1/2"L KNOB BOLT-2PCS</p>	<p><b>o</b></p>  <p>1/2"L FLAT HEAD SCREW-14PCS</p>
<p><b>p</b></p>  <p>MAGNET-2PCS</p>	<p><b>ANTI-TIPPING HARDWARE PACKAGE</b></p> <div style="display: flex; justify-content: space-around; align-items: flex-start;"> <div style="text-align: center;"> <p><b>1</b></p>  <p>x4 RECTANGLE METAL PLATE</p> </div> <div style="text-align: center;"> <p><b>2</b></p>  <p>x2 1/2"L FLAT HEAD SCREW</p> </div> <div style="text-align: center;"> <p><b>3</b></p>  <p>x2 PLASTIC ANCHOR</p> </div> <div style="text-align: center;"> <p><b>4</b></p>  <p>x2 PLASTIC BAND</p> </div> <div style="text-align: center;"> <p><b>5</b></p>  <p>x2 1-1/2"L FLAT HEAD SCREW</p> </div> </div>	

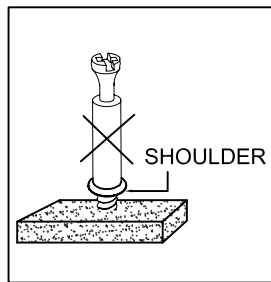
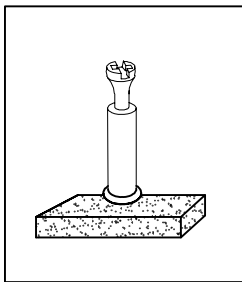
NOTE:THE SURFACE WITH THE STICKER IS THE BACK SIDE

## HOW TO SEPARATE GLIDES



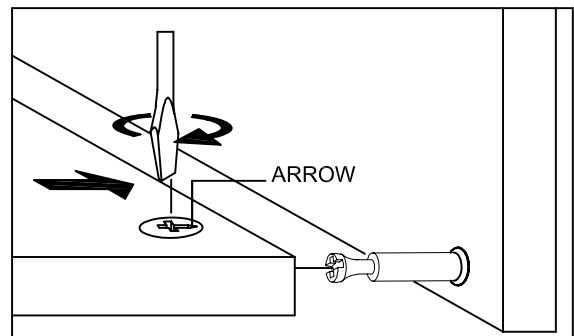
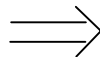
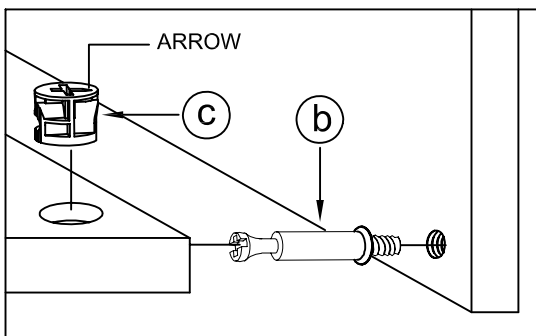
PRIOR TO ASSEMBLY, WE SUGGEST SEPARATING THE INNER GLIDES FROM THE OUTER-GLIDES, SIMPLY PULL THE LEFT/RIGHT INNER GLIDES FROM THE OUTER GLIDES EXPOSING A SMALL BLACK SAFETY RELEASE TAB, BY PUSHING THE SAFETY RELEASE TAB. YOU WILL BE ABLE TO SEPARATE THE GLIDES.

NOTE: • UPON OPENING, THOROUGHLY CLEAN ALL WOOD SURFACES TO REMOVE DUST AND DIRT THAT MAY HAVE SETTLED ONTO THE FINISH DURING SHIPMENT. IN ORDER TO PREVENT DAMAGE DURING ASSEMBLY. PLEASE ASSEMBLE THIS ITEM WITH AT LEAST TWO PEOPLE.



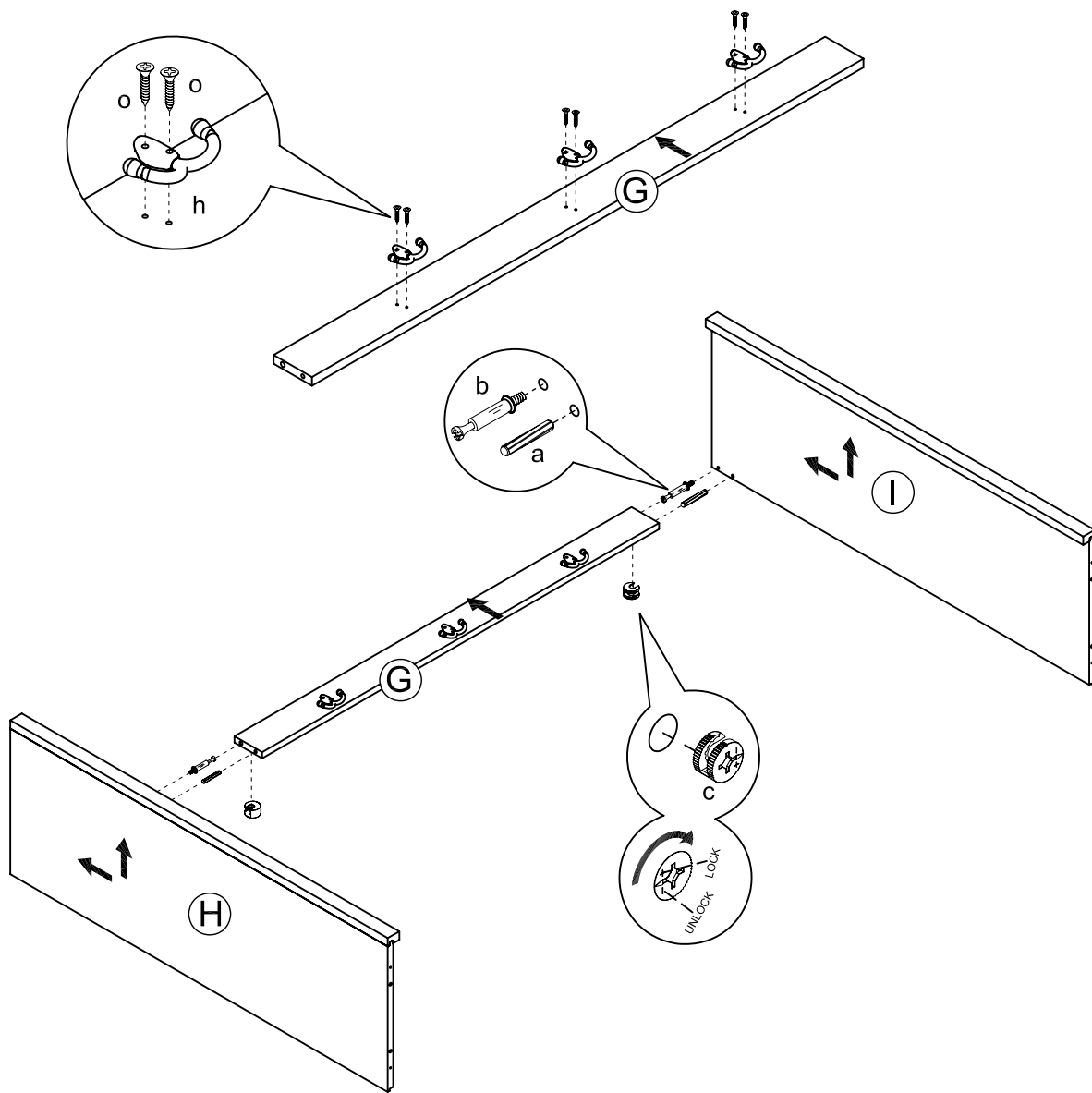
NOTE: TURN THE CAM-BOLT SCREWS UNTIL THEY ARE TIGHT, THE SHOULDER SHOULD BE AGAINST THE SURFACE OF THE PART.

## HOW TO USE THE CAM-TOOL



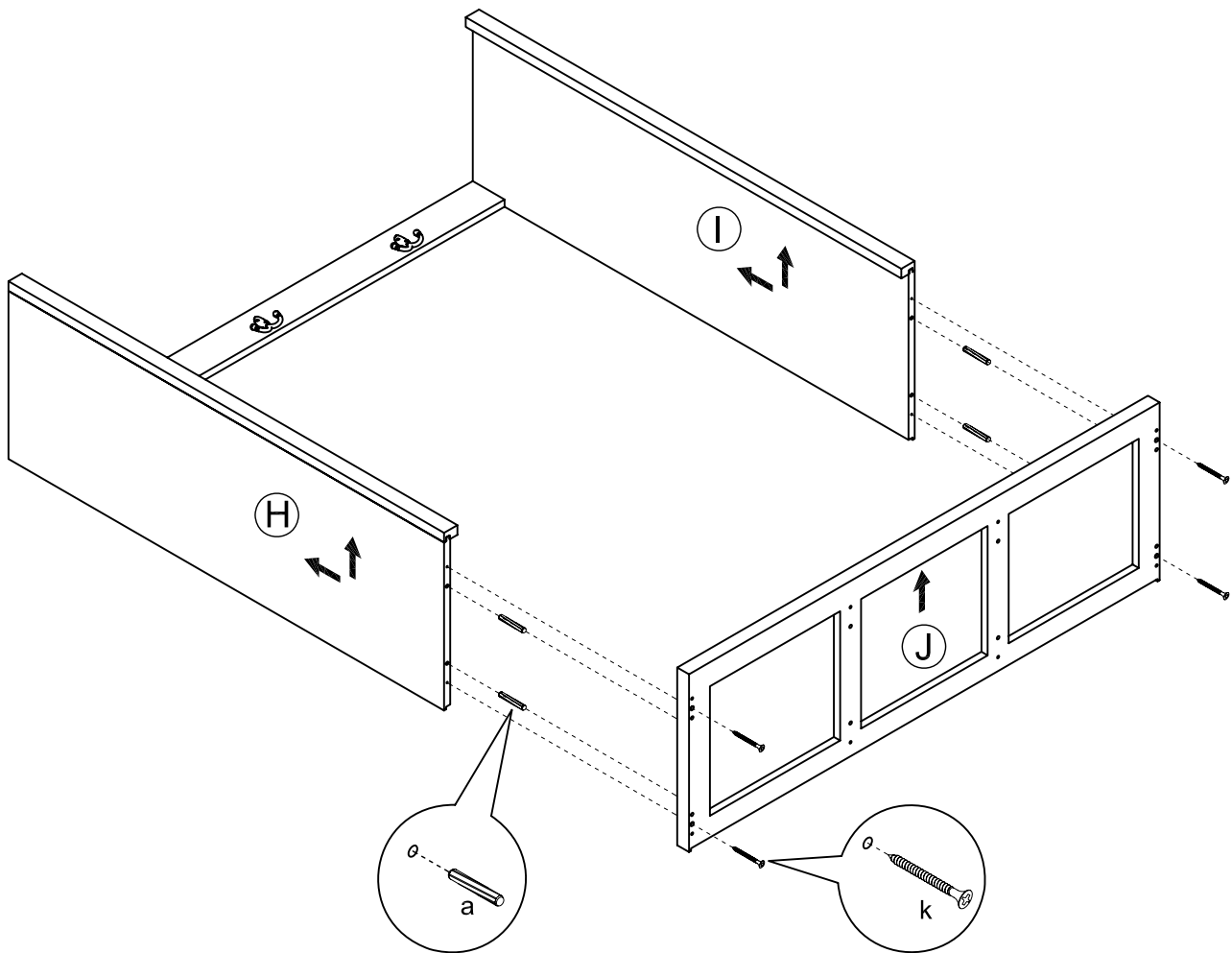
NOTE: • THE ARROWS ON THE HIDDEN CAM-LOCKS SHOULD POINT TO THE CAM-BOLTS.

# FIG 1



- TIGHTEN THE POTHOOK (h) ONTO THE BACK CROSS BRACE (G) BY USING THE 1/2" L FLAT HEAD SCREW (o).
- INSTALL THE WOOD DOWEL (a) AND THE CAM LOCK BOLT (b) INTO THE MIDDLE LEFT SIDE PANEL (H) AND THE MIDDLE SIDE PANEL (I).
- JOIN BOTH MIDDLE SIDE PANELS (H) & ( I)TO THE BACK CROSS BRACE (G) BY USING THE WOOD DOWEL (a) FIRST.
- TIGHTEN CAM LOCK BOLT (b) WITH THE CAM LOCK (c) IN THE PRE-DRILLED HOLES.

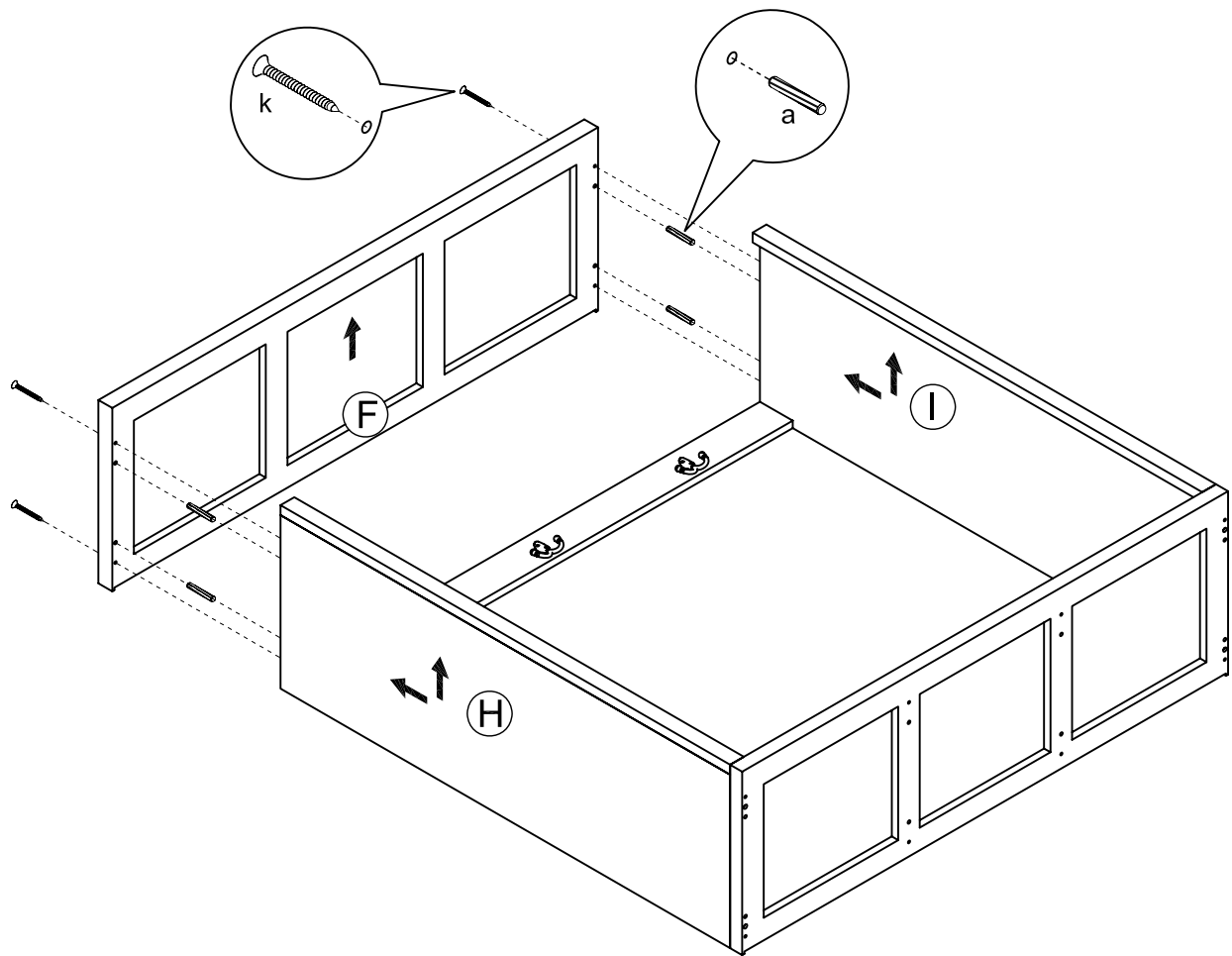
# FIG 2



- INSTALL THE WOOD DOWEL (a) INTO THE TOP OF THE BOTTOM FIXED PANEL (J).
- JOIN THE BOTTOM FIXED PANEL (J) TO THE ASSEMBLED PART BY USING THE WOOD DOWEL (a) FIRST.
- TIGHTEN THE BOTTOM FIXED PANEL (J) BY USING THE 1-1/2"L FLAT HEAD SCREW (k) THROUGH THE PRE-DRILLED HOLES AS SHOWN.

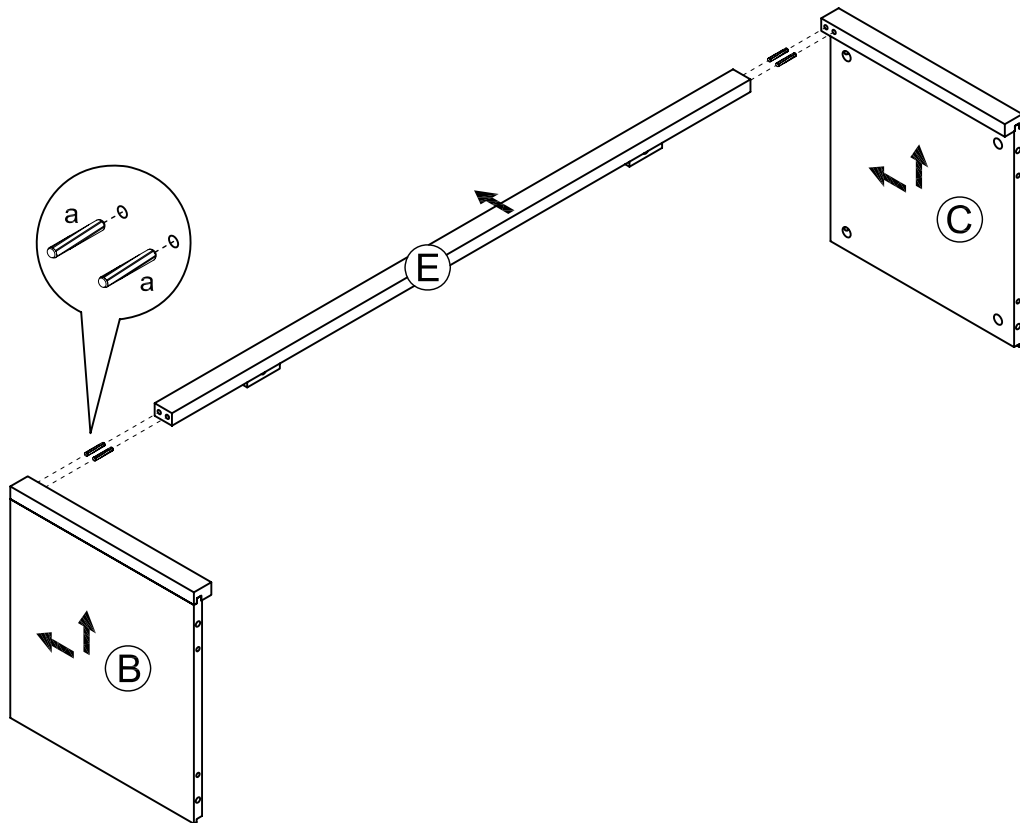


# FIG 3



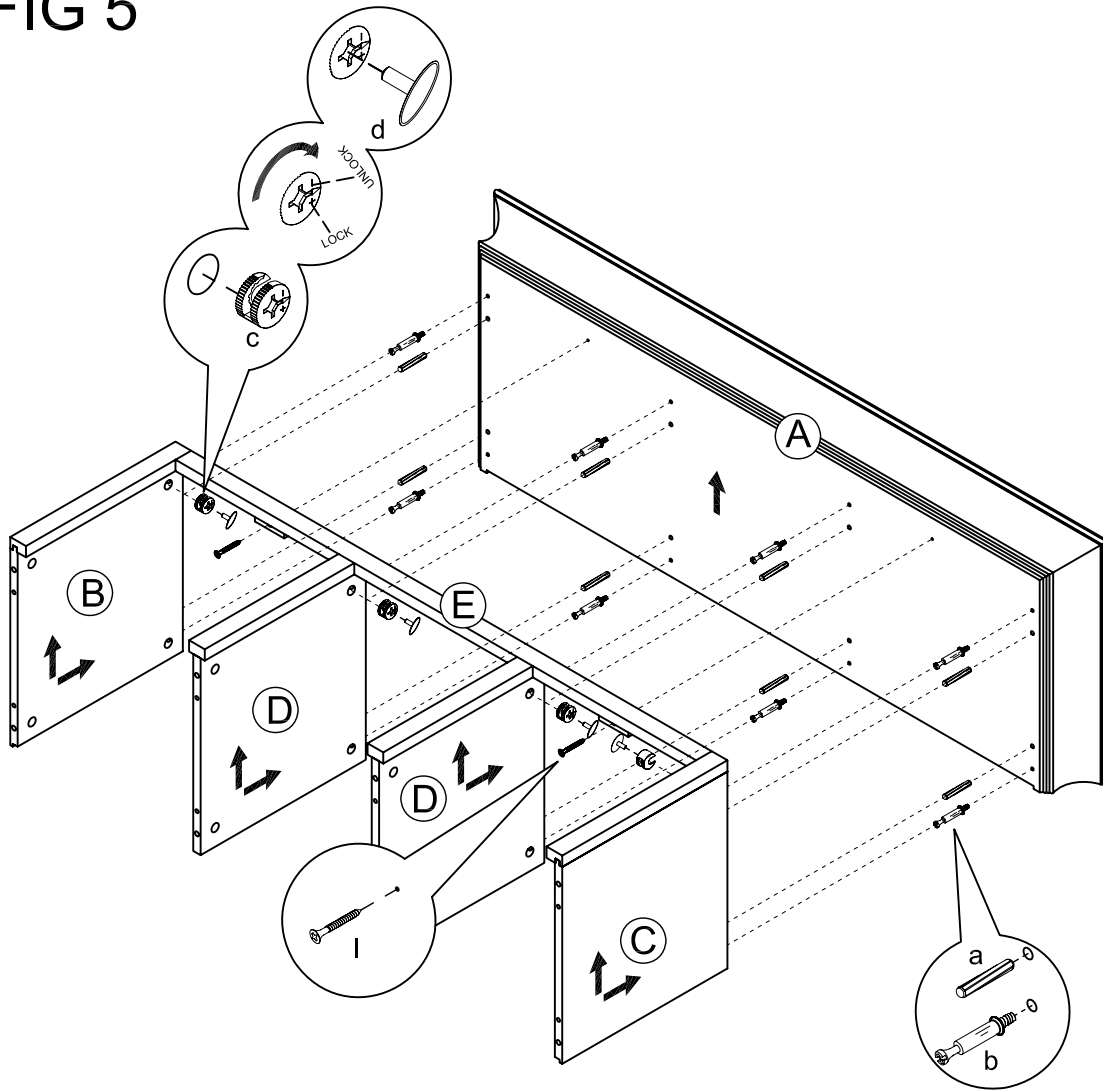
- INSTALL THE WOOD DOWEL (a) INTO THE BOTTOM OF THE TOP FIXED PANEL (F).
- JOIN THE TOP FIXED PANEL (F) TO THE ASSEMBLED PART BY USING THE WOOD DOWEL (a) FIRST.
- TIGHTEN THE TOP FIXED PANEL (F) BY USING THE 1-1/2" L FLAT HEAD SCREW (k) THROUGH THE PRE-DRILLED HOLES AS SHOWN.

# FIG 4



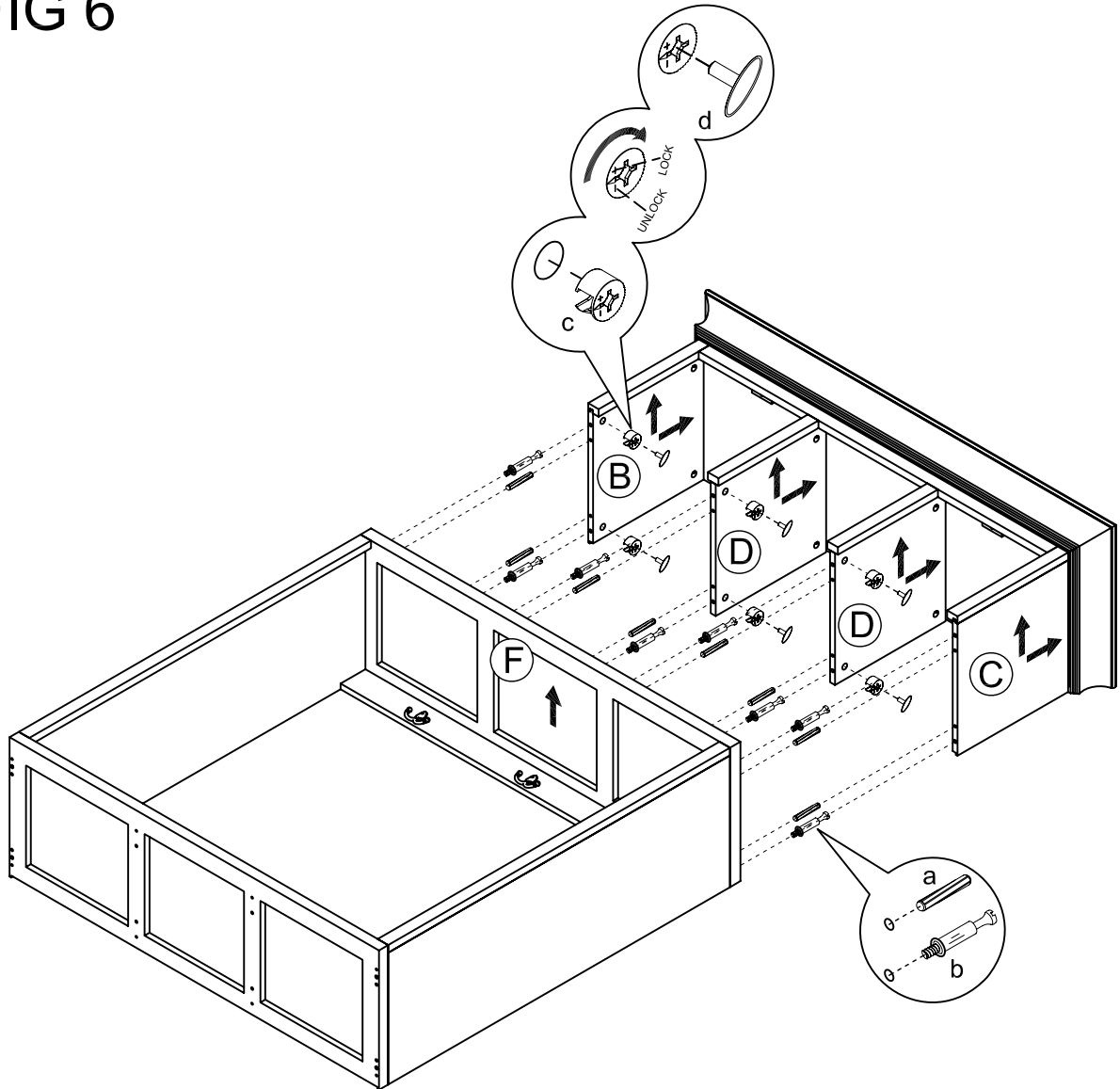
- INSTALL THE WOOD DOWEL (a) INTO THE TOP CROSS BRACE (E).
- JOIN THE TOP CROSS BRACE (E) TO THE TOP LEFT SIDE PANEL (B) AND THE TOP RIGHT RIGHT SIDE PANEL (C) BY USING THE WOOD DOWEL (a) FIRST.

FIG 5



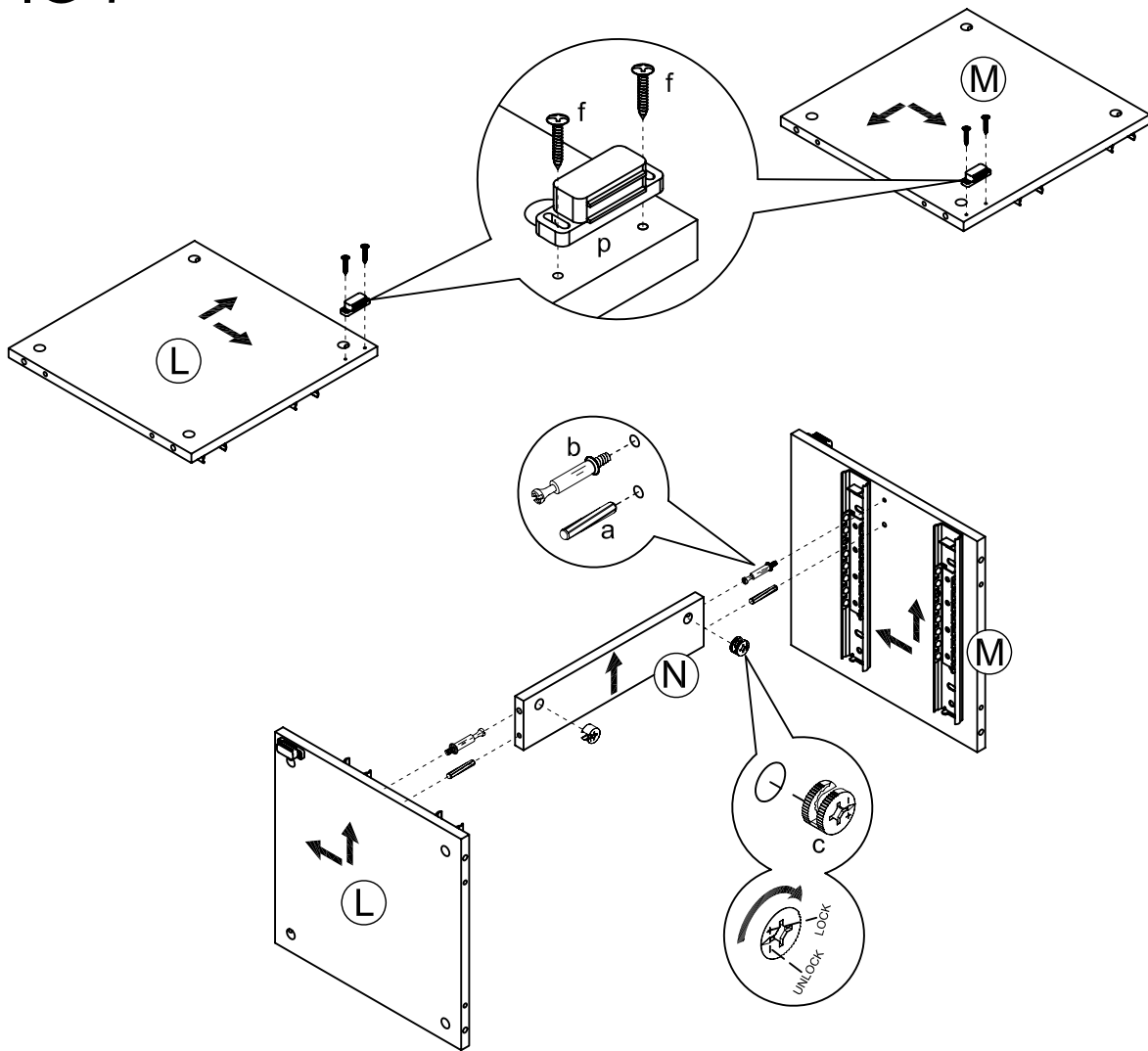
- INSTALL THE WOOD DOWEL (a) AND THE CAM LOCK BOLT (b) INTO THE BOTTOM OF THE TOP PANEL (A).
- JOIN THE TOP PARTITION (D) AND THE ASSEMBLED PART TO THE TOP PANEL (A) BY USING THE WOOD DOWEL (a) FIRST.
- TIGHTEN CAM LOCK BOLT (b) WITH THE CAM LOCK (c) IN THE PRE-DRILLED HOLES.
- TIGHTEN THE TOP CROSS BRACE (E) BY USING THE 1" L FLAT HEAD SCREW (I) THROUGH THE PRE-DRILLED HOLES AS SHOWN.
- COVER THE CAM HOLES WITH THE LONG PLASTIC COVER (d).

FIG 6



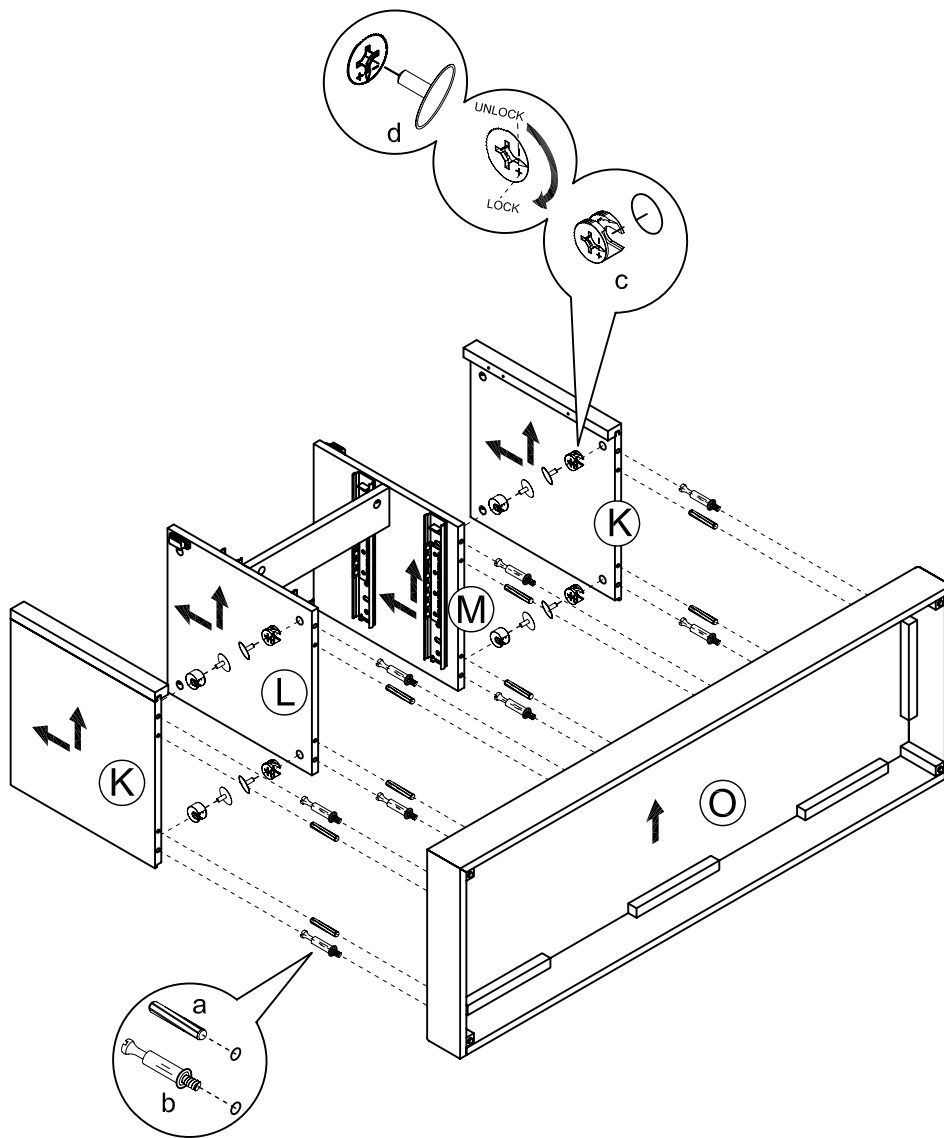
- INSTALL THE WOOD DOWEL (a) AND THE CAM LOCK BOLT (b) INTO THE TOP OF THE TOP FIXED PANEL (F).
- JOIN TWO ASSEMBLED PARTS BY USING THE WOOD DOWEL (a) FIRST.
- TIGHTEN CAM LOCK BOLT (b) WITH THE CAM LOCK (c) IN THE PRE-DRILLED HOLES.
- COVER THE CAM HOLES WITH THE LONG PLASTIC COVER (d).

FIG 7



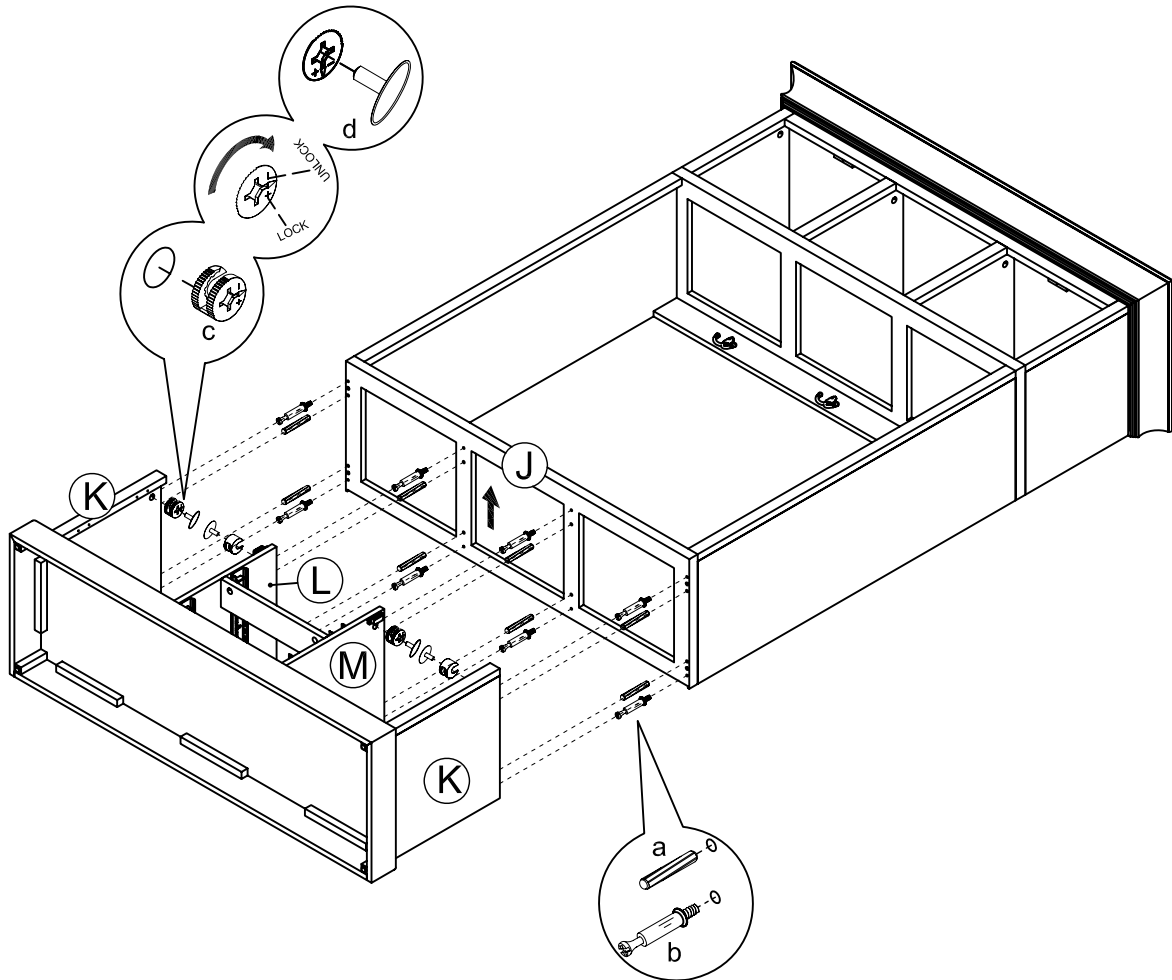
- TIGHTEN THE MAGNET (p) ONTO THE BOTTOM LEFT PARTITION (L) AND THE BOTTOM RIGHT PARTITION (M) BY USING THE 5/8" L ROUND HEAD SCREW (f).
- INSTALL THE WOOD DOWEL (a) AND THE CAM LOCK BOLT (b) INTO THE BOTTOM LEFT PARTITION (L) AND THE BOTTOM RIGHT PARTITION (M).
- JOIN THE BOTTOM LEFT PARTITION (L) AND THE BOTTOM RIGHT PARTITION (M) TO THE BOTTOM CROSS BRACE (N) BY USING THE WOOD DOWEL (a) FIRST.
- TIGHTEN CAM LOCK BOLT (b) WITH THE CAM LOCK (c) IN THE PRE-DRILLED HOLES.

FIG 8



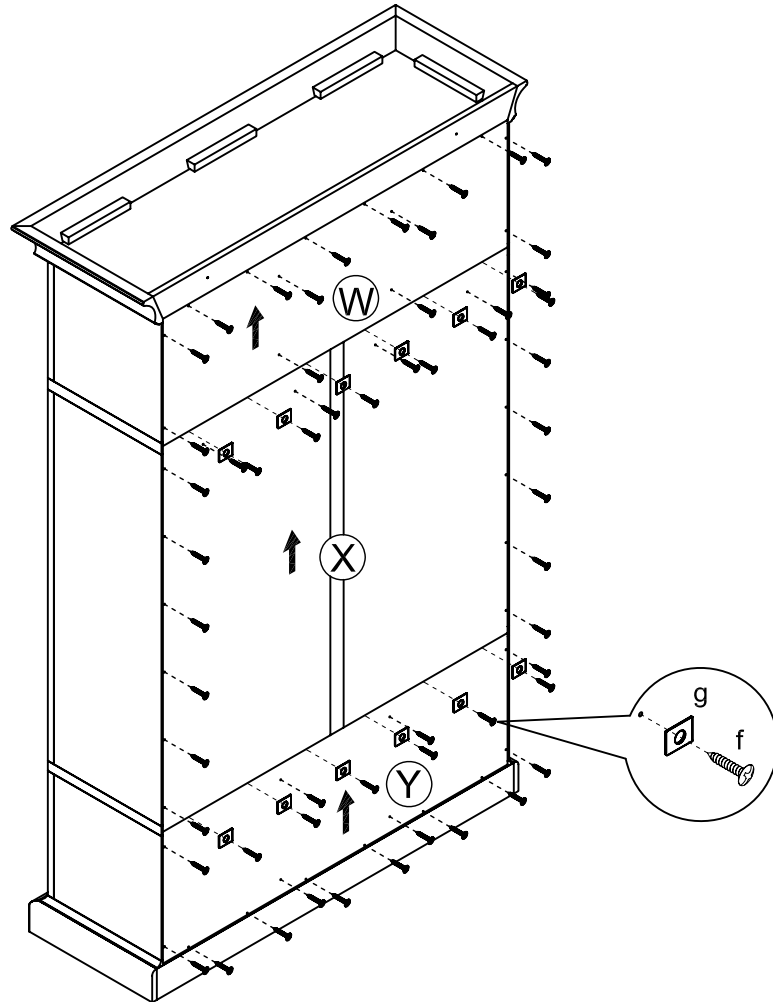
- INSTALL THE WOOD DOWEL (a) AND THE CAM LOCK BOLT (b) INTO THE TOP OF THE BOTTOM PANEL (O).
- JOIN BOTH BOTTOM SIDE PANELS (K), THE BOTTOM LEFT PARTITION (L) AND THE BOTTOM RIGHT PARTITION (M) TO THE BOTTOM PANEL (O) BY USING THE WOOD DOWEL (a) FIRST.
- TIGHTEN CAM LOCK BOLT (b) WITH THE CAM LOCK (c) IN THE PRE-DRILLED HOLES.
- COVER THE CAM HOLES WITH THE LONG PLASTIC COVER (d).

# FIG 9



- INSTALL THE WOOD DOWEL (a) AND THE CAM LOCK BOLT (b) INTO THE BOTTOM OF THE BOTTOM FIXED PANEL (J).
- JOIN TWO ASSEMBLED PARTS BY USING THE WOOD DOWEL (a) FIRST.
- TIGHTEN CAM LOCK BOLT (b) WITH THE CAM LOCK (c) IN THE PRE-DRILLED HOLES.
- COVER THE CAM HOLES WITH THE LONG PLASTIC COVER (d).

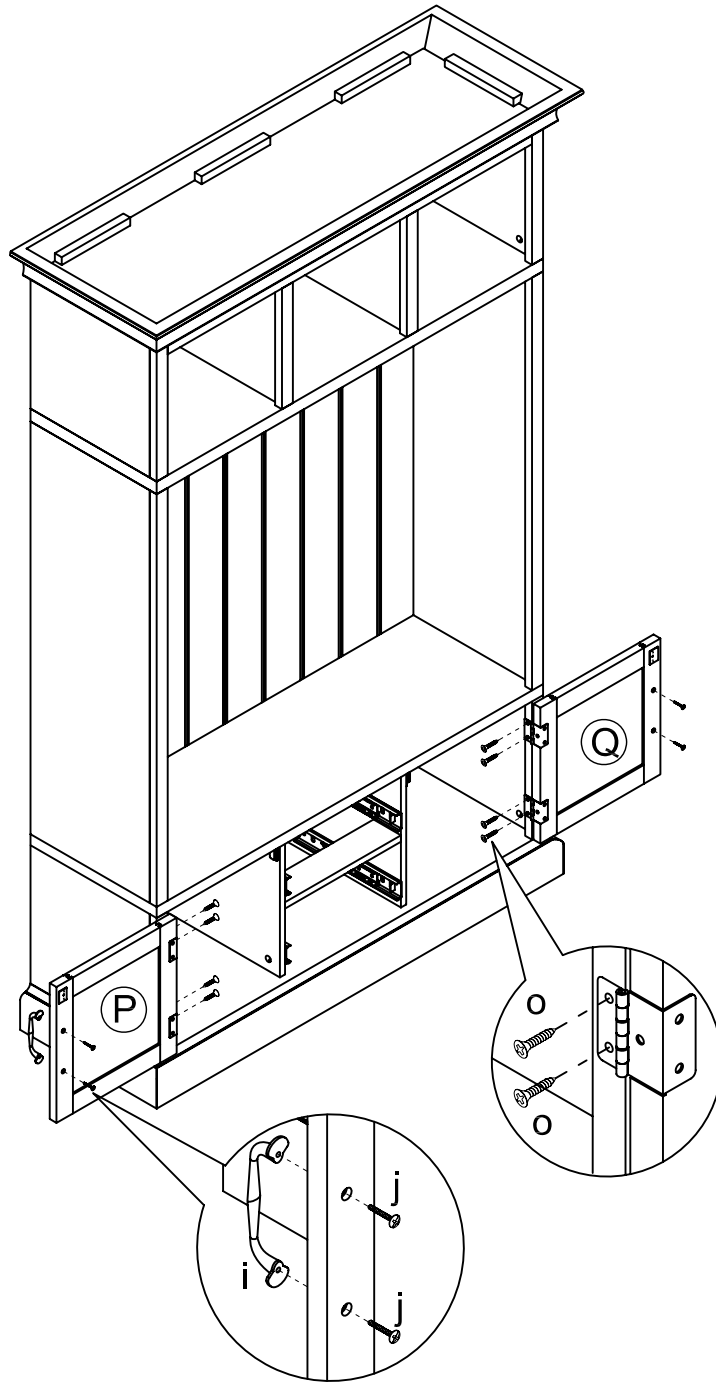
FIG 10



- TIGHTEN THE TOP BACK PANEL (W), THE MIDDLE BACK PANEL (X) AND THE BOTTOM BACK PANEL (Y) BY USING THE 5/8" ROUND HEAD SCREW (f) AND THE METAL PLATE (g) AS SHOWN.

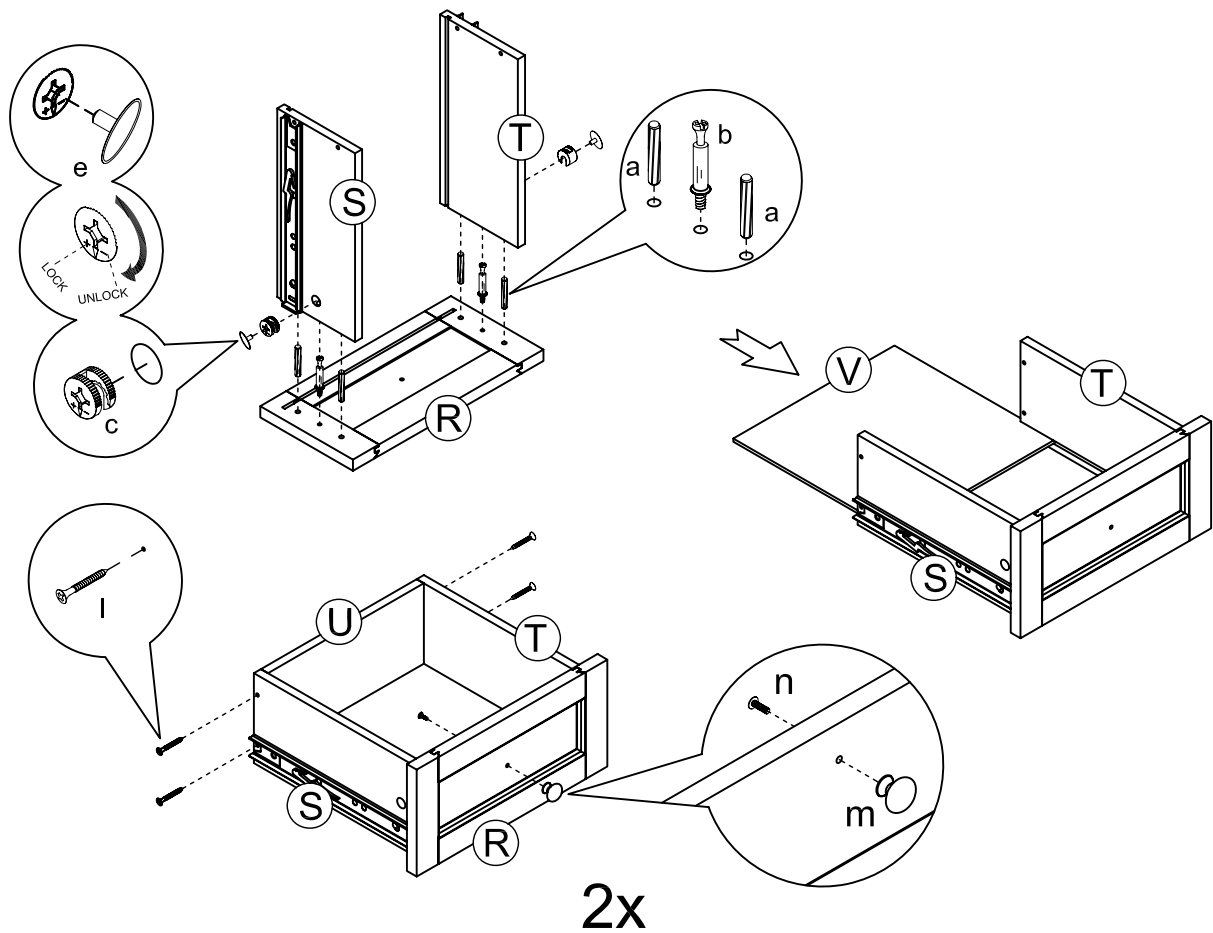


# FIG 11



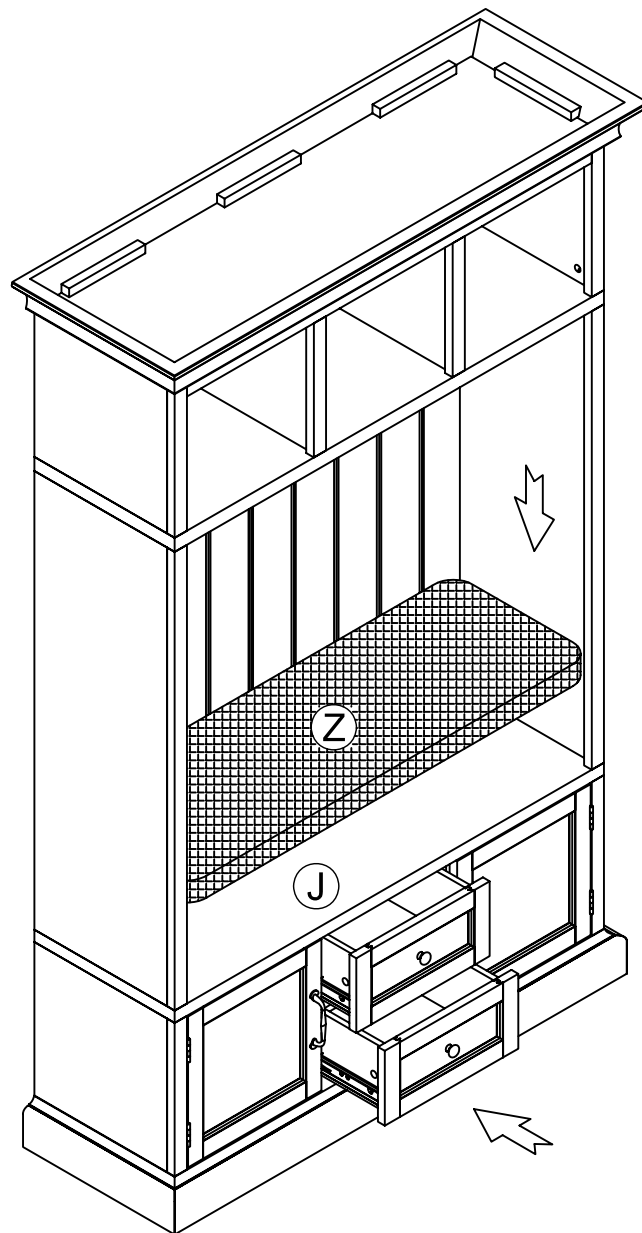
- ATTACH THE LEFT DOOR (P) AND THE RIGHT DOOR (Q) TO THE ASSEMBLED PART BY USING THE 1/2" L FLAT HEAD SCREW (o).
- TIGHTEN THE HANDLE (i) ONTO THE LEFT DOOR (P) AND THE RIGHT DOOR (Q) BY USING THE  $\varnothing 5/32$ "\*7/8"L HANDLE BOLT (j).

# FIG 12



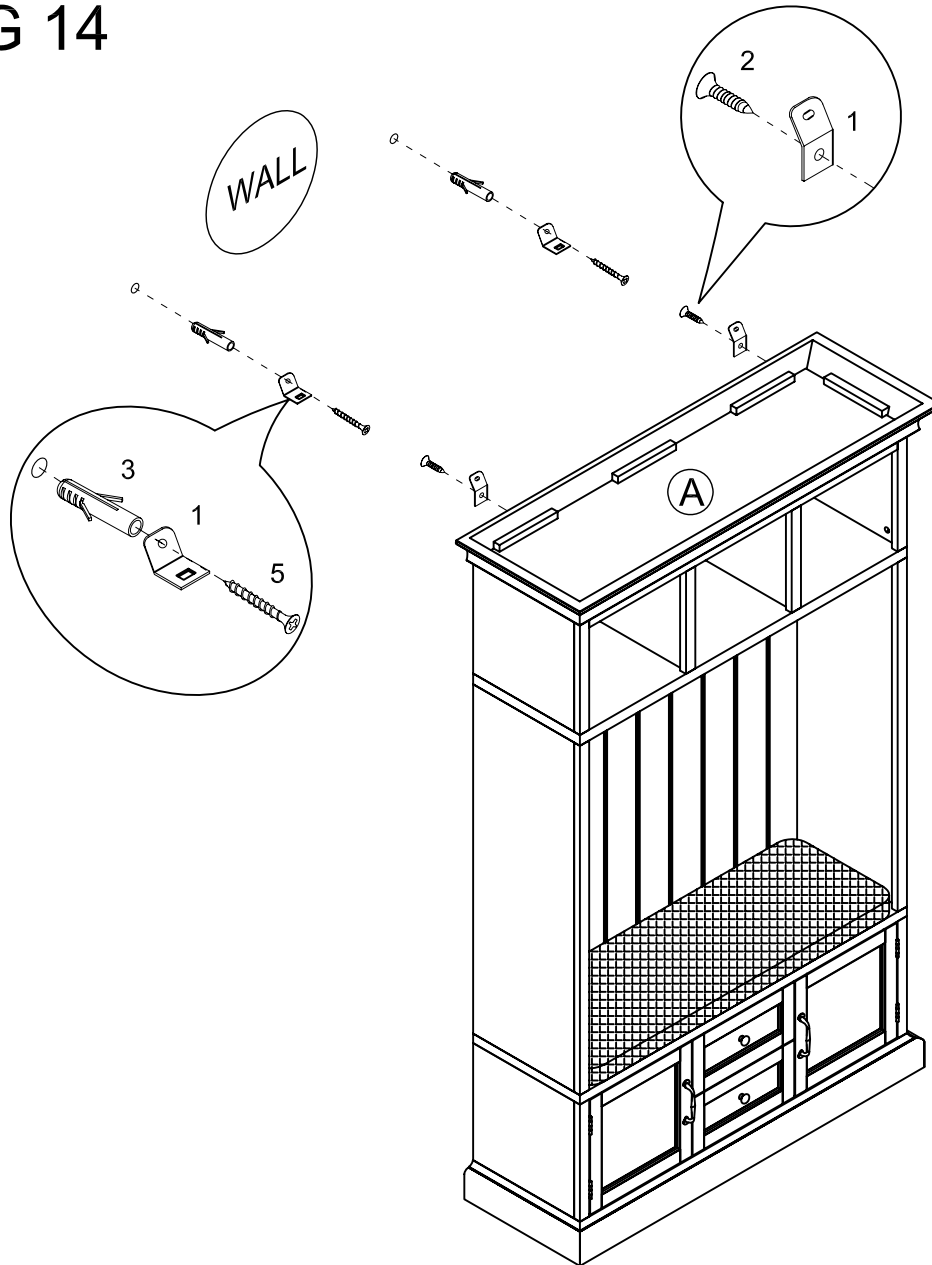
- INSTALL THE WOOD DOWEL (a) AND THE CAM LOCK BOLT (b) INTO THE DRAWER FRONT PANEL (R).
- JOIN THE DRAWER LEFT SIDE PANEL (S) AND THE DRAWER RIGHT SIDE PANEL (T) TO THE DRAWER FRONT PANEL (R).
- ONCE JOINED, TIGHTEN CAM LOCK BOLT (b) WITH THE CAM LOCK (c) IN PRE-DRILLED HOLES.
- COVER CAM HOLES WITH THE SHORT PLASTIC COVER (e).
- SLIDE THE DRAWER BOTTOM PANEL (V) INTO THE GROOVES ON THE DRAWER LEFT SIDE PANEL (S) AND THE DRAWER RIGHT SIDE PANEL (T).
- JOIN THE DRAWER BACK PANEL (U) TO THE ASSEMBLED DRAWER PART AND TIGHTEN THE DRAWER BACK PANEL (U) BY USING THE 1" FLAT HEAD SCREW (I) THROUGH PRE-DRILLED HOLES ON DRAWER SIDE PANELS.
- TIGHTEN THE DRAWER KNOB (m) TO THE DRAWER FRONT PANEL (R) BY USING THE Ø5/32" \* 1/2" L BOLT (n).

FIG 13



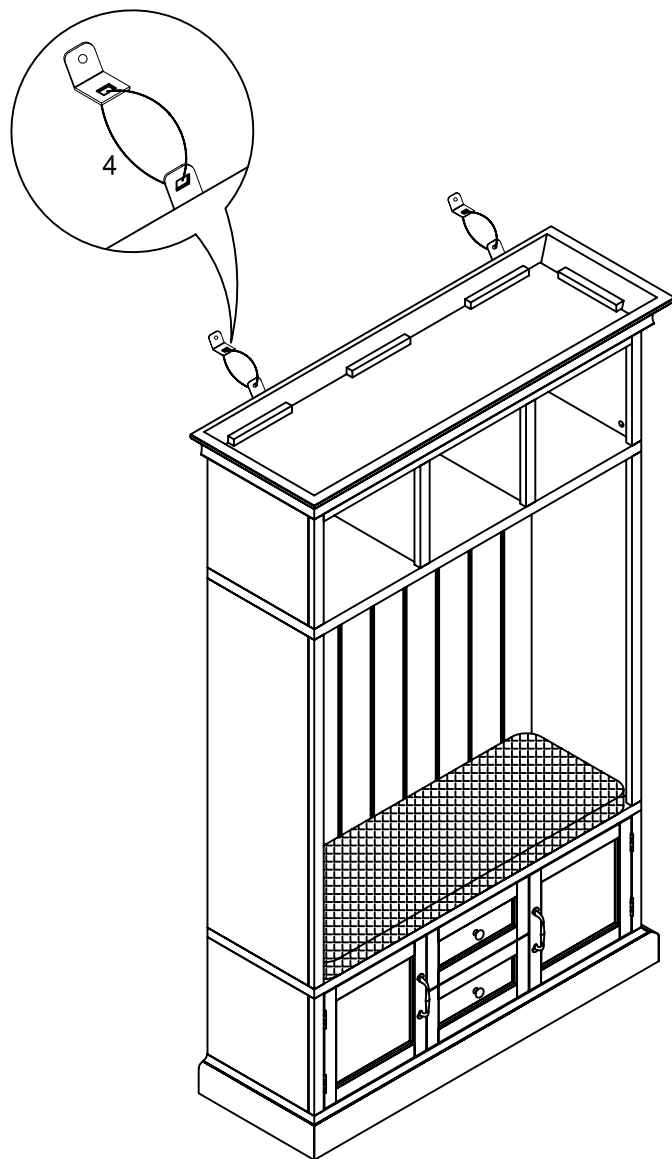
- INSERT DRAWERS INTO THE ASSEMBLED PART.
- PLACE THE CUSHION (Z) ABOVE THE BOTTOM FIXED PANEL (J).

# FIG 14



- TIGHTEN THE RECTANGLE METAL PLATE (1) TO THE REAR OF THE TOP PANEL (A) BY USING 1/2" FLAT HEAD SCREW (2).
- PLACE THE ASSEMBLED ROYCE STORAGE LOCKER AT THE DESIRED POSITION. MARK THE INSERTION POINTS FOR THE PLASTIC ANCHOR (3).
- USING THE PROPER HARDWARE FOR YOUR WALL TYPE, DRILL 1/4" HOLES INTO THE WALL.
- TIGHTEN THE RECTANGLE METAL PLATE (1) TO THE PLASTIC ANCHOR (3) BY USING THE 1-1/2" FLAT HEAD SCREW (5).

FIG 15



- USING THE PLASTIC BAND (4) CONNECT TWO RECTANGLE METAL PLATES (1).