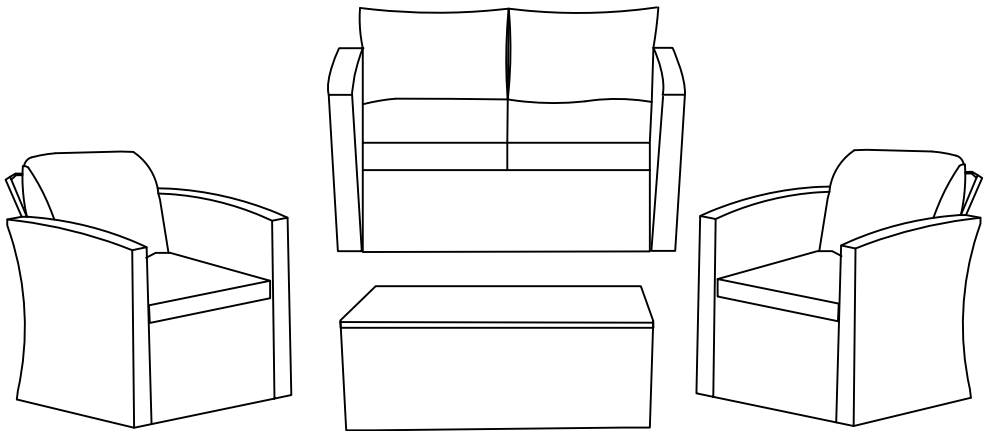


INSTRUCTION MANUAL



**4 Piece Rattan Seating Group
with Cushion
SKU: OP113**

V1.0

! NOTICE

Do not overtighten screws. (Insert all screws before tighten screws.)

- Please do not exceed the weight limitations of this item.
- Do not stand on or use any part of this item as a step ladder.
- Firmly secure all bolts, screws and nuts before use.
- Reconfirm that all bolts, screws, and nuts are secure every 90 days.
- Do not use or store this item in the proximity of open flame or flammable/combustible chemicals.
- Be aware that some parts are heavy and have sharp edges.

TOOLS REQUIRED



ALLEN WRENCH
(PROVIDED)



CHAIR
330 LBS
CAPACITY



LOVESEAT
660 LBS
CAPACITY



TABLE
110 LBS
CAPACITY










2 PERSONS
ASSEMBLY

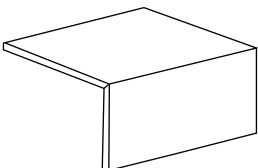
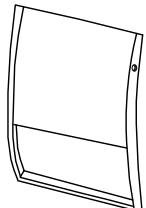
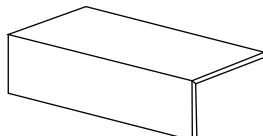


UP TO 60 MIN.
ASSEMBLY

HARDWARE

1 M6 x 40MM BOLT  30 PCS	2 M6 x 35MM BOLT  22 PCS	3 M6 x 25MM BOLT  2 PCS	4 M6 WASHER  52 PCS	5 ALLEN WRENCH  1 PC
6 M6 THREADED PIN  6 PCS	7 SPACER  2 PCS			

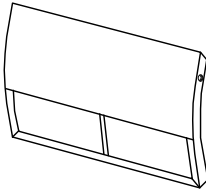
PARTS

A CHAIR SEAT  2 PCS	B CHAIR BACKREST  2 PCS	C LOVESEAT TOP  1 PC
--	--	--

PARTS

D

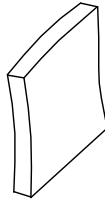
LOVESEAT BACKREST



1 PC

E

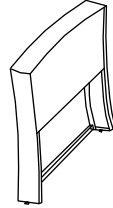
CHAIR LEFT SIDE



3 PCS

F

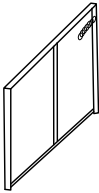
CHAIR RIGHT SIDE



3 PCS

G

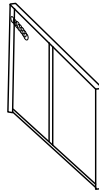
TABLE LEG - LEFT



1 PC

H

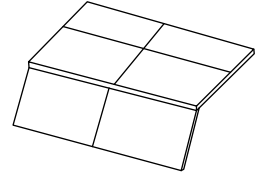
TABLE LEG - RIGHT



1 PC

I

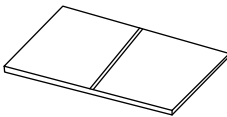
TABLE TOP



1 PC

J

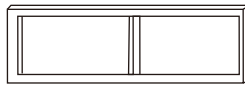
TABLE BASE



1 PC

K

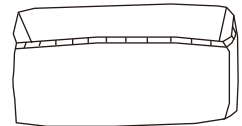
TABLE RAIL



1 PC

L

LINING

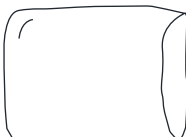


1 PC

CUSHION

Z1

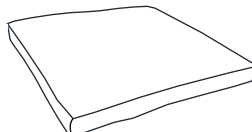
BACK CUSHION



4 PCS

Z2

SEAT CUSHION



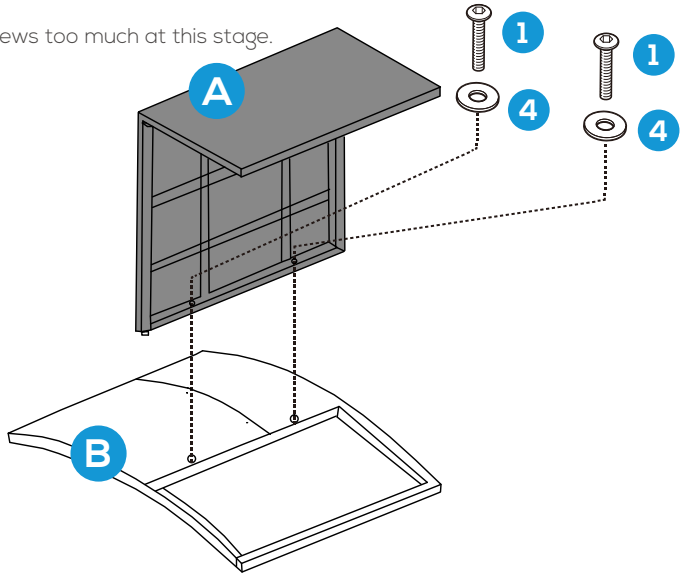
4 PCS

PRODUCT ASSEMBLY - CHAIR

1

Attach part A Chair Seat to part B Chair backrest with 2 PCS of part 1 Bolt and part 4 Washer.

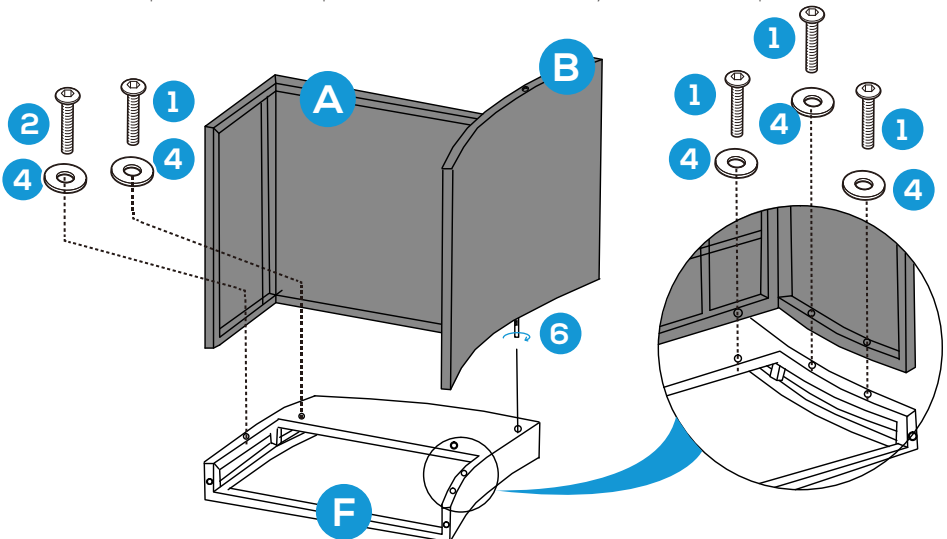
Do not tighten screws too much at this stage.



2

Attach part A Chair Seat and part B Seat Backrest to part F Chair Right Side with 4 PCS of part 1 Bolt and 1 PC of part 2 Bolt as well as 5 PCS of part 4 Washer as below.

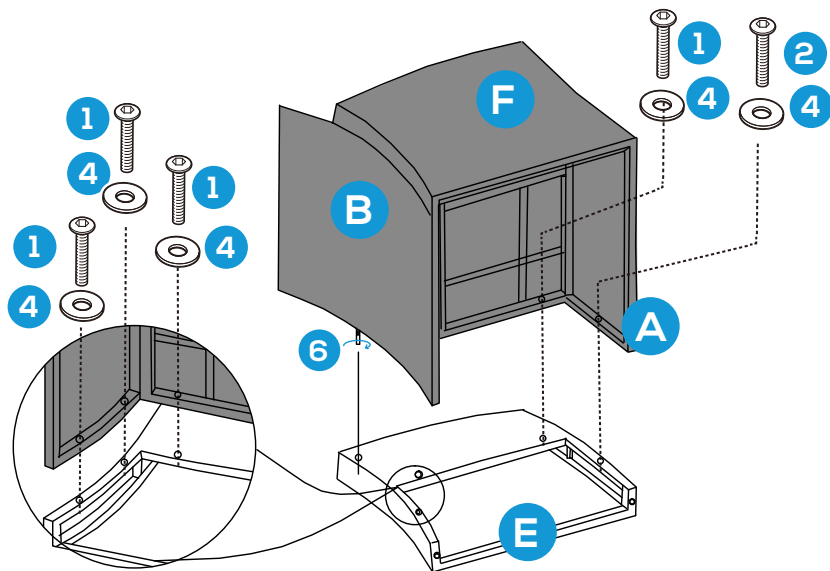
Screw part 6 Threaded pin into the hidden nut firstly before this step.



PRODUCT ASSEMBLY - CHAIR

3

Attach the combined part (A+B+F) part E Chair Left Side with 4 PCS of part 1 Bolt and 1 PC of part 2 Bolt as well as 5 PCS of part 4 washer as below.

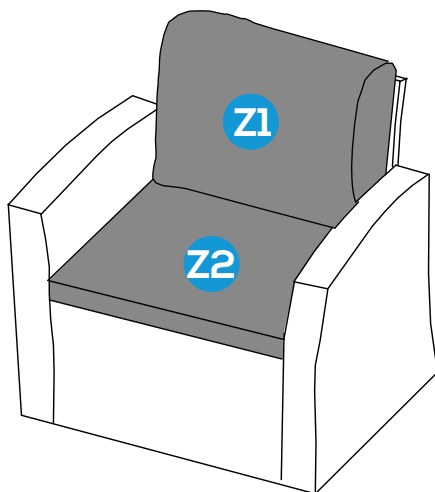


4

Tighten all bolts again to ensure the Chair is stable enough to use.

Place 1 PC of part Z2 Seat Cushion and 1 PC of part Z1 Back Cushion into the chair to finish the assembly.

Do the same to assemble another chair.

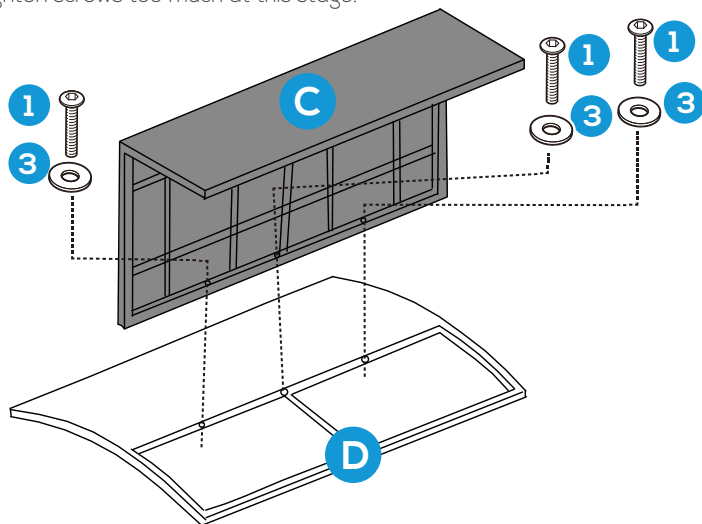


PRODUCT ASSEMBLY - LOVESEAT

5

Attach part C Loveseat Top to part D Loveseat Backrest with 3 PCS of part 1 Bolt and part 4 Washer.

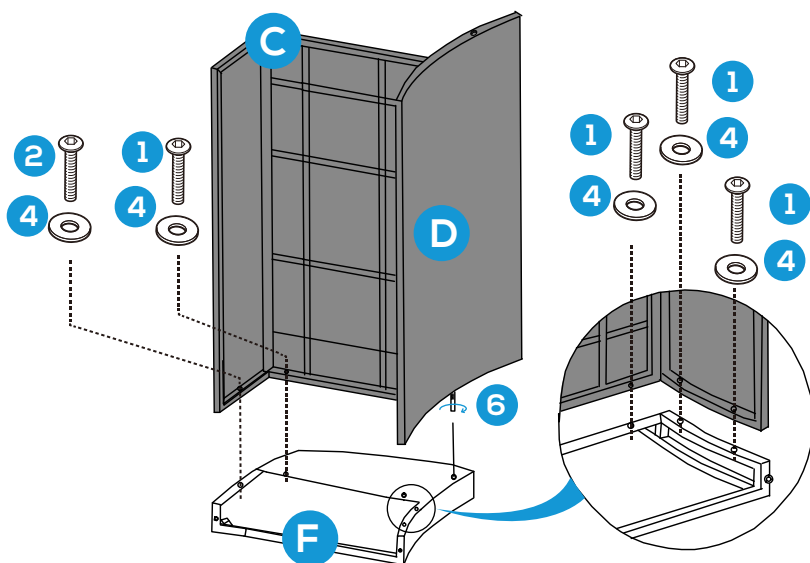
Do not tighten screws too much at this stage.



6

Attach part C Loveseat Top and part D Loveseat Backrest to part F Chair Right Side with 4 PCS of part 1 Bolt and part 2 Bolt as well as 4 PCS of part 4 Washer as below.

Screw part 6 Threaded pin into the hidden nut firstly before this step.

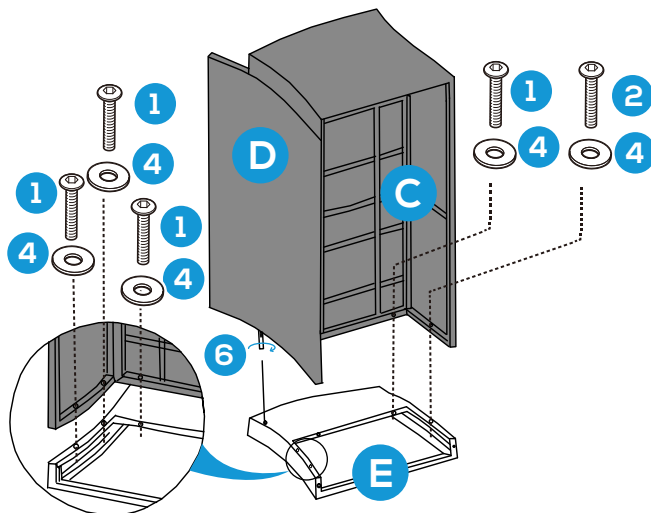


PRODUCT ASSEMBLY - LOVESEAT

7

Attach the combined part (C+D+F) to part E Chair Left Side with 4 PCS of part 1 Bolt and 1 PC of part 2 Bolt as well as 5 PCS of part 4 Washer.

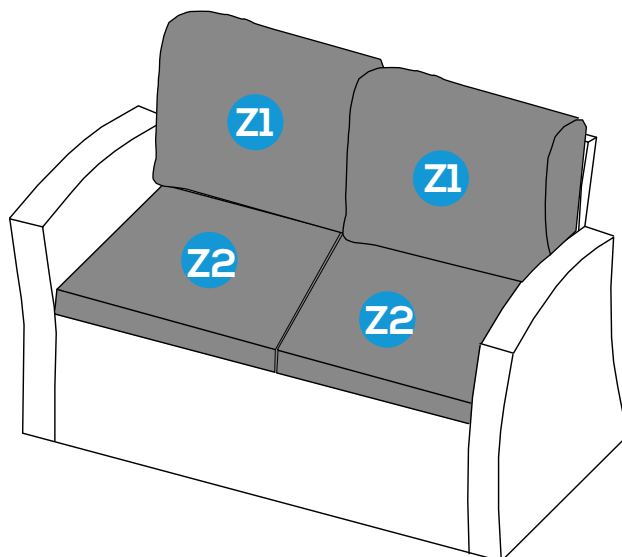
Screw part 6 Threaded pin into the hidden nut firstly before this step.



8

Tighten all bolts again to ensure this Loveseat is stable enough to use.

Place 2 PCS of part Z2 Seat Cushion and part Z1 Back Cushion into the loveseat to finish the assembly.

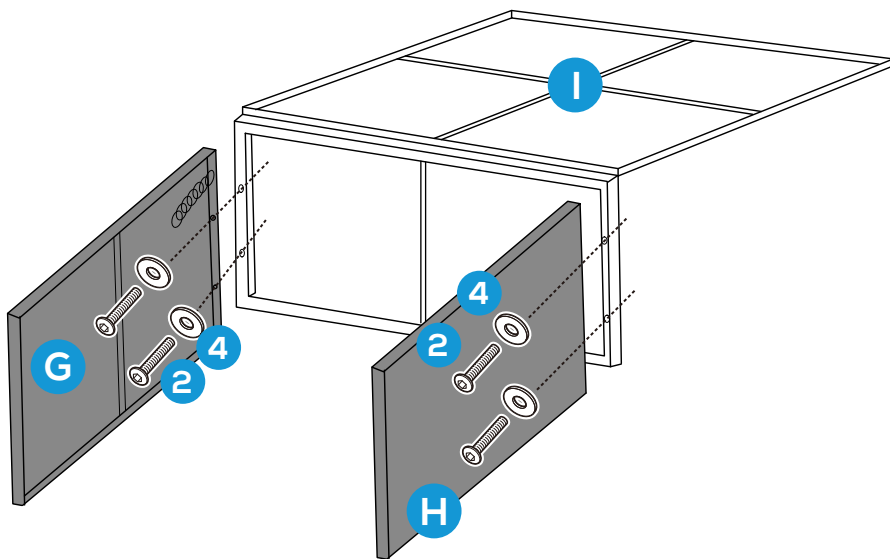


PRODUCT ASSEMBLY - COFFEE TABLE

9

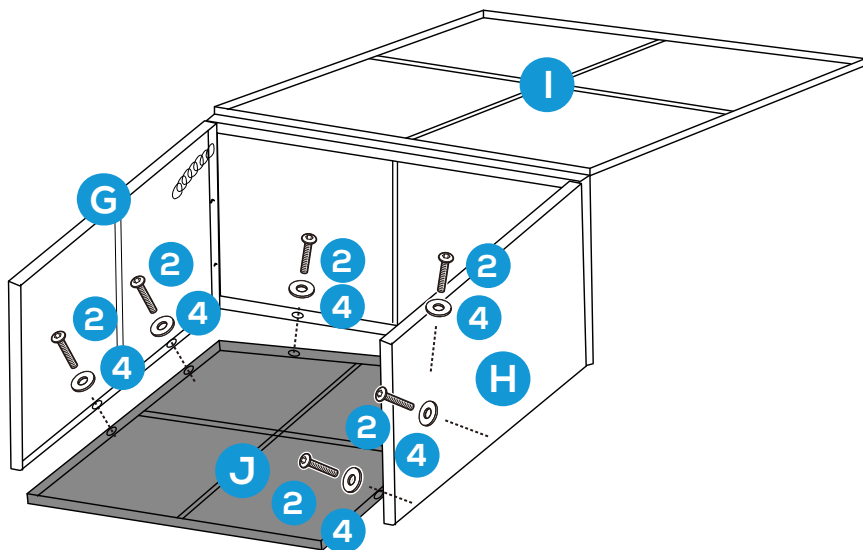
Attach part G and H Table Legs to part I Table Top with 4 PCS of part 2 Bolt and part 4 Washer.

Do not tighten screws too much at this stage.



10

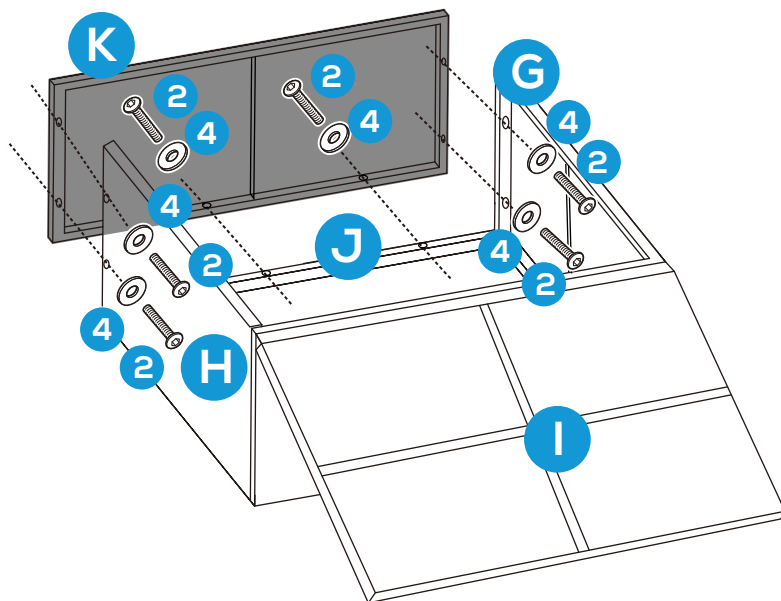
Attach part J Table Base to part G and H Table Legs with 6 PCS of part 2 Bolt and part 4 Washer.



PRODUCT ASSEMBLY - COFFEE TABLE

11

Attach part K Table Rail to part G and H Table Legs and part J Table base with 6 PCS of part 2 Bolt and part 4 Washer.

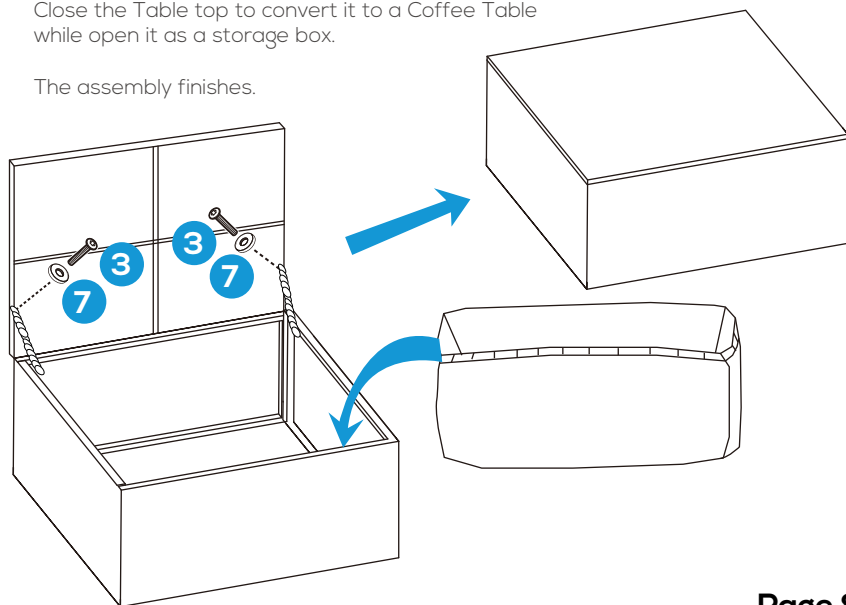


12

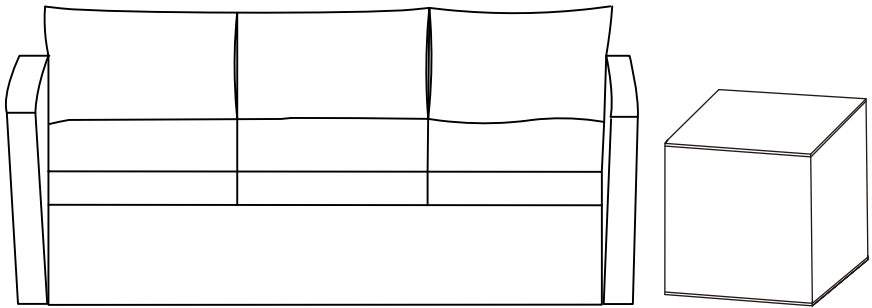
Attach the chain to Table Top with 2PCS of part 3 Bolt and part 7 Spacer and attach the Lining into the table with velcro.

Close the Table top to convert it to a Coffee Table while open it as a storage box.

The assembly finishes.



INSTRUCTION MANUAL



Sofa And Side Table
Rattan Seating Group with Cushion
SKU: OP114

V1.0

! NOTICE

Do not overtighten screws. (Insert all screws before tighten screws.)

- Please do not exceed the weight limitations of this item.
- Do not stand on or use any part of this item as a step ladder.
- Firmly secure all bolts, screws and nuts before use.
- Reconfirm that all bolts, screws, and nuts are secure every 90 days.
- Do not use or store this item in the proximity of open flame or flammable/combustible chemicals.
- Be aware that some parts are heavy and have sharp edges.

TOOLS REQUIRED



ALLEN WRENCH
(PROVIDED)



CHAIR
330 LBS
CAPACITY



LONGCHAIR
660 LBS
CAPACITY



TABLE
110 LBS
CAPACITY



2 PERSONS
ASSEMBLY



UP TO 60 MIN.
ASSEMBLY

HARDWARE

1

M6 x 35MM
BOLT



32 PCS

2

M6 x 25MM
BOLT



2 PCS

3

SPACER



2 PCS

4

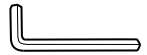
M6 WASHER



32 PCS

5

ALLEN
WRENCH



1 PC

6

M6
THREADED PIN

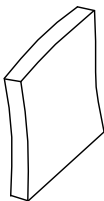


2 PCS

PARTS

A

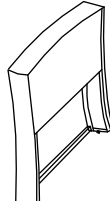
CHAIR LEFT SIDE



1 PC

B

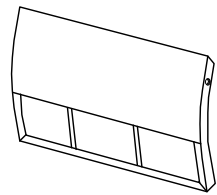
CHAIR RIGHT SIDE



1 PC

C

SOFA BACKREST



1 PC

PARTS

D

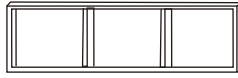
SOFA SEAT



1 PC

E

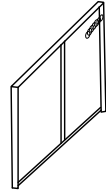
FRONT RAIL



1 PC

F

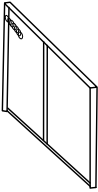
TABLE LEFT RAIL



1 PC

G

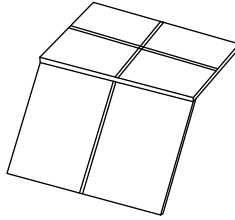
TABLE RIGHT RAIL



1 PC

H

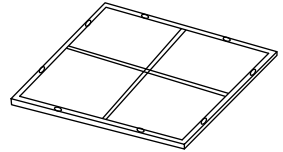
TABLE TOP



1 PC

I

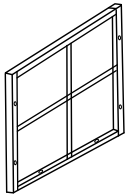
TABLE BASE



1 PC

J

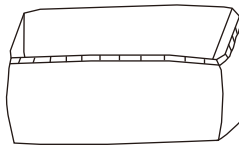
TABLE FRONT RAIL



1 PC

K

LINING

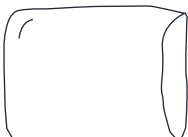


1 PC

CUSHION

Z1

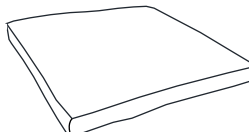
BACK CUSHION



3 PCS

Z2

SEAT CUSHION



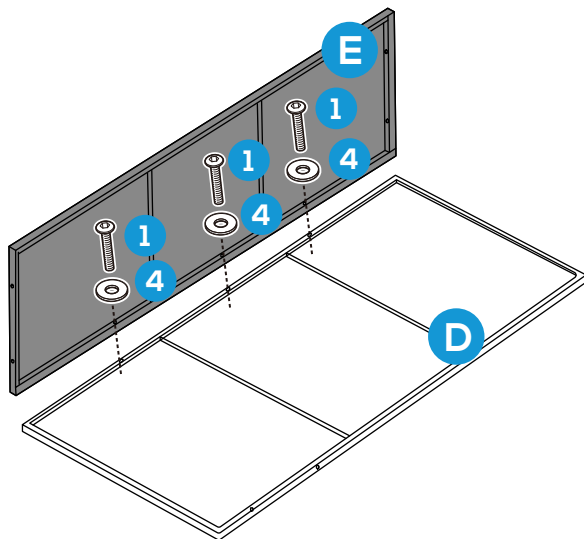
3 PCS

PRODUCT ASSEMBLY - THREE-PERSON SOFA

1

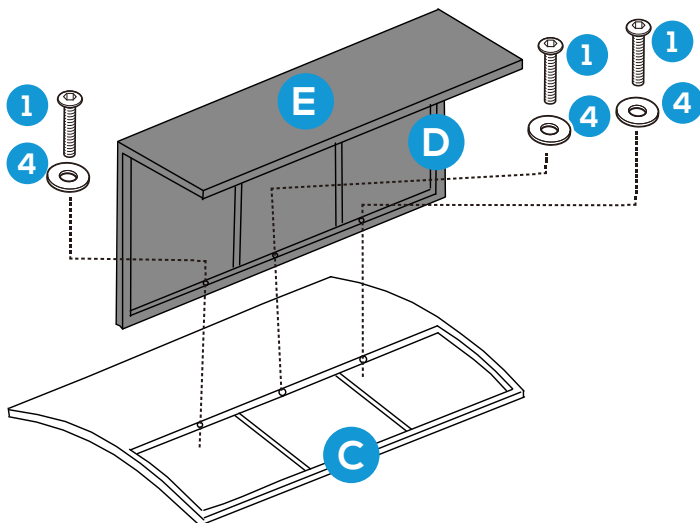
Attach part E Front Rail to part D Sofa Seat with 3 PCS of part 1 Bolt and part 4 Washer .

Do not tighten screws too much at this stage.



2

Attach the combined part (D+E) to part C Sofa Backrest with 3 PCS of part 1 Bolt and part 4 Washer.

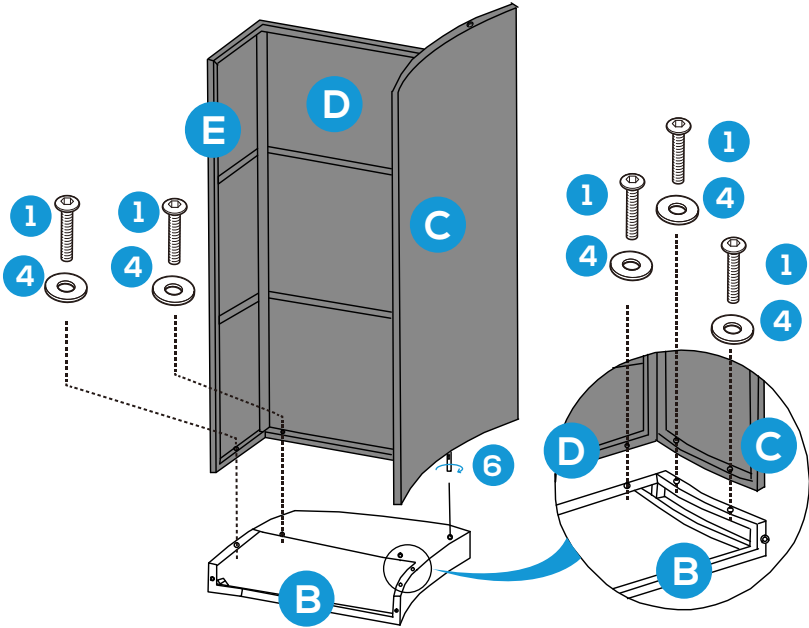


PRODUCT ASSEMBLY - THREE-PERSON SOFA

3

Attach the combined part (C+D+E) to part B Chair Right Side with 5 PCS of part 1 Bolt and part 4 Washer.

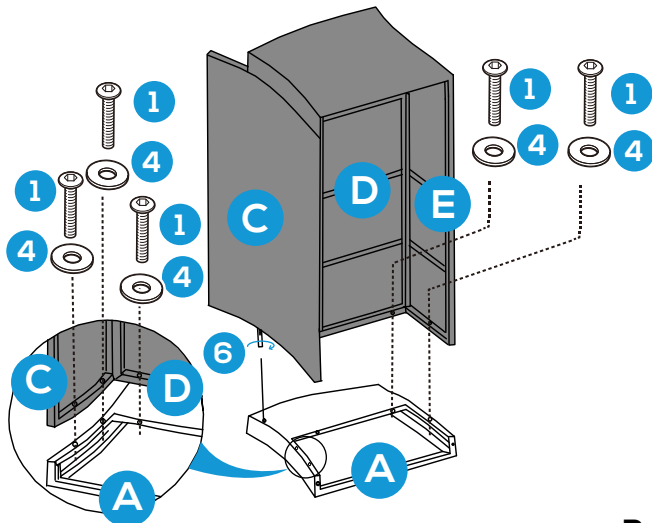
Screw part 6 Threaded pin into the hidden nut firstly before this step.



4

Attach the combined part (C+D+E) to part A Chair Left Side with 5 PCS of part 1 Bolt and part 4 Washer.

Screw part 6 Threaded pin into the hidden nut before assembly..

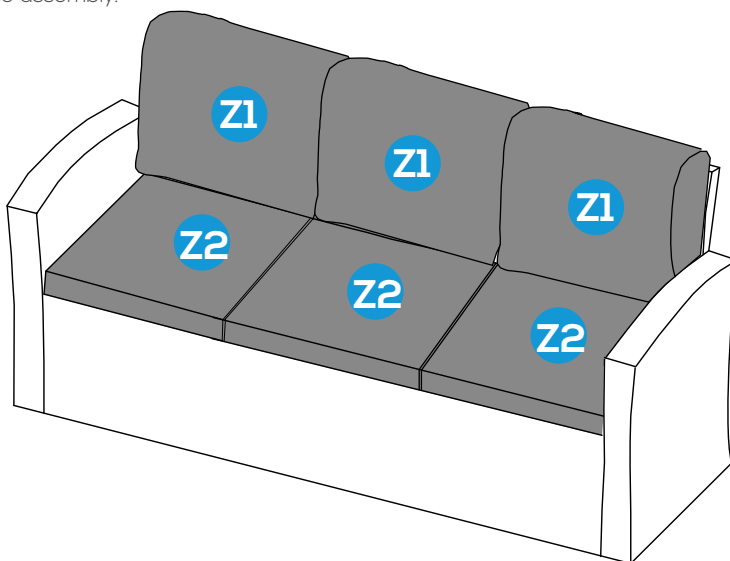


PRODUCT ASSEMBLY - THREE -PERSON SOFA

5

Tighten all bolts again to ensure this sofa is stable enough to use.

Place 3 PCS of part Z2 Seat Cushion and part Z1 Back Cushion into the sofa to finish the assembly.

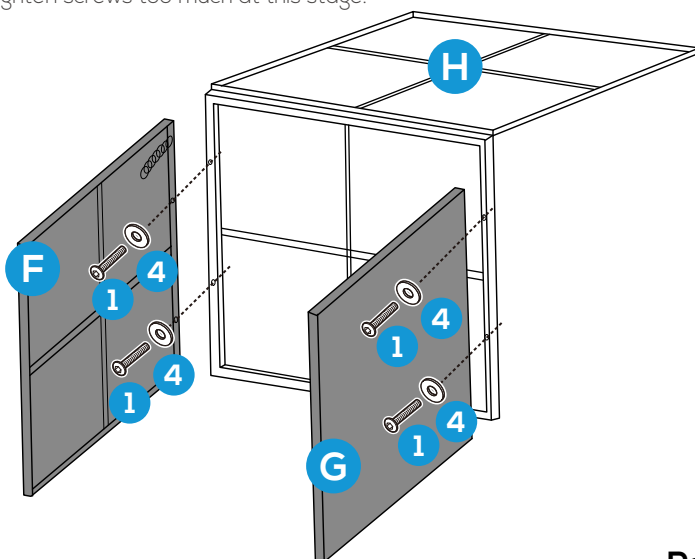


PRODUCT ASSEMBLY - COFFEE TABLE

6

Attach part F and G Table Rails to part H Table Top with 4 PCS of part 2 Bolt and part 4 Washer.

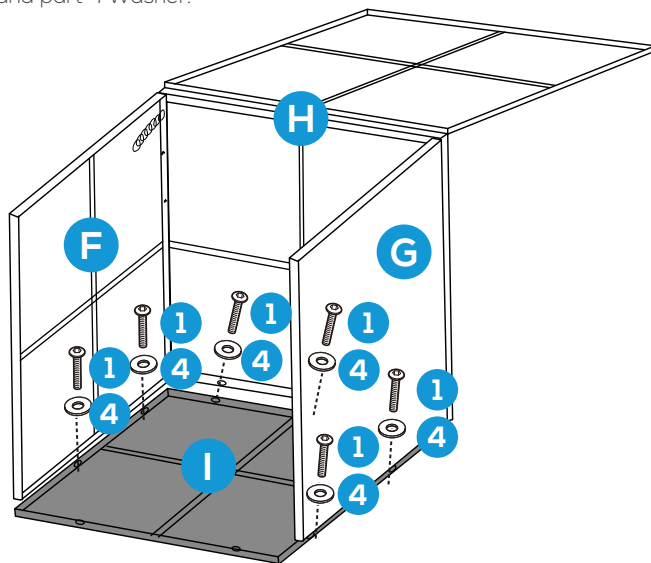
Do not tighten screws too much at this stage.



PRODUCT ASSEMBLY - COFFEE TABLE

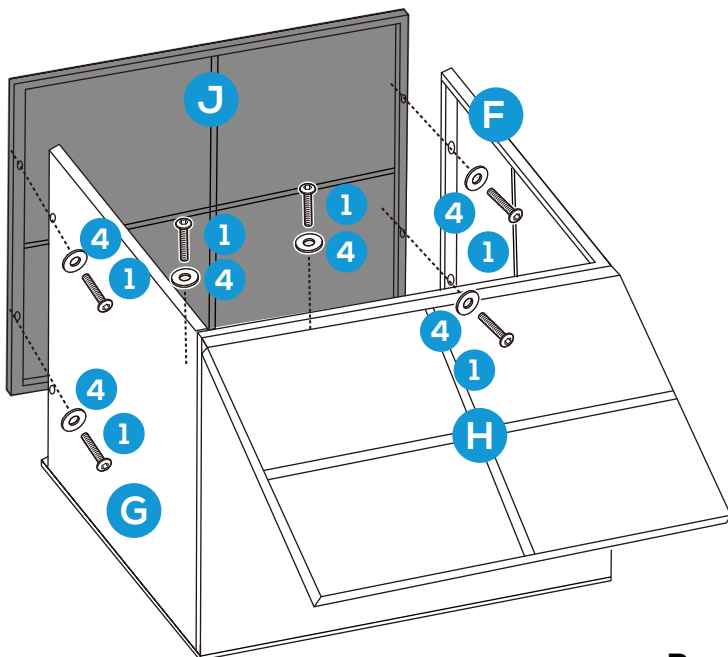
7

Attach part I Table Base to part F and G Table Rails as well as part H Table Top with 6 PCS of part 1 Bolt and part 4 Washer.



8

Attach part J Table Front Rail to part F and G Table Rails and part I Table base with 6 PCS of part 1 Bolt and part 4 Washer.



PRODUCT ASSEMBLY - COFFEE TABLE

9

Attach the chains to Table Top with 2 PCS of part 2 Bolt and part 3 Spacer and attach part K Lining inside with velcro.

Close the Table top and convert it to a coffee table while open it as a storage box.

