

**Boyd Sleep
Padded Beds
“Limited” Warranty**

**Thank you for your recent purchase. Please register your product online today at
www.boydsleep.com/register.**

Model	Full Replacement
Carlisle Day Bed, Central Park, Chloe, Florence Bed, Leah, Manchester Day Bed, Messina Day Bed, Mia, Milan Bed, Modena, Napoli Bed, New Castle Day Bed, Parma Piedmont, Pisa, Ravenna, Roma Bed, Sicily, Salerno, Tuscany, Universal Headboard, Valencia, Verona, Zoe	0-12 months

This warranty is between Boyd Sleep and the original purchaser and is valid only when accompanied by the original purchaser’s sales receipt showing original date of purchase and location of purchase. Replacements under this warranty revert to the date of original purchase for future warranty. Maintain this warranty document and your sales receipt in a safe place.

Boyd Sleep or its authorized dealer can accept or reject warranty claims based on its findings. This warranty applies in normal residential use only. Normal residential use only is described as using the product on a level surface with all legs touching the floor with an equal distribution of weight. The product is to be used with standard mattresses only. This warranty is invalid if the product is not used for its intended purpose. Boyd Sleep can make substitutions as required of materials, components, and sub-components of comparable value and utility. Boyd Sleep reserves the right to refuse service and invalidate the warranty when, upon inspection, the product failure is caused by factors other than defective workmanship or materials.

Manufacturing defects include when the product has become defective where it will not support the mattress properly.

Sales and use taxes, plus shipping and handling charges are the responsibility of the consumer. Consumer is required to deliver damaged product to the authorized dealer.

Certain items are not covered by this warranty. These include, but are not limited to the following:

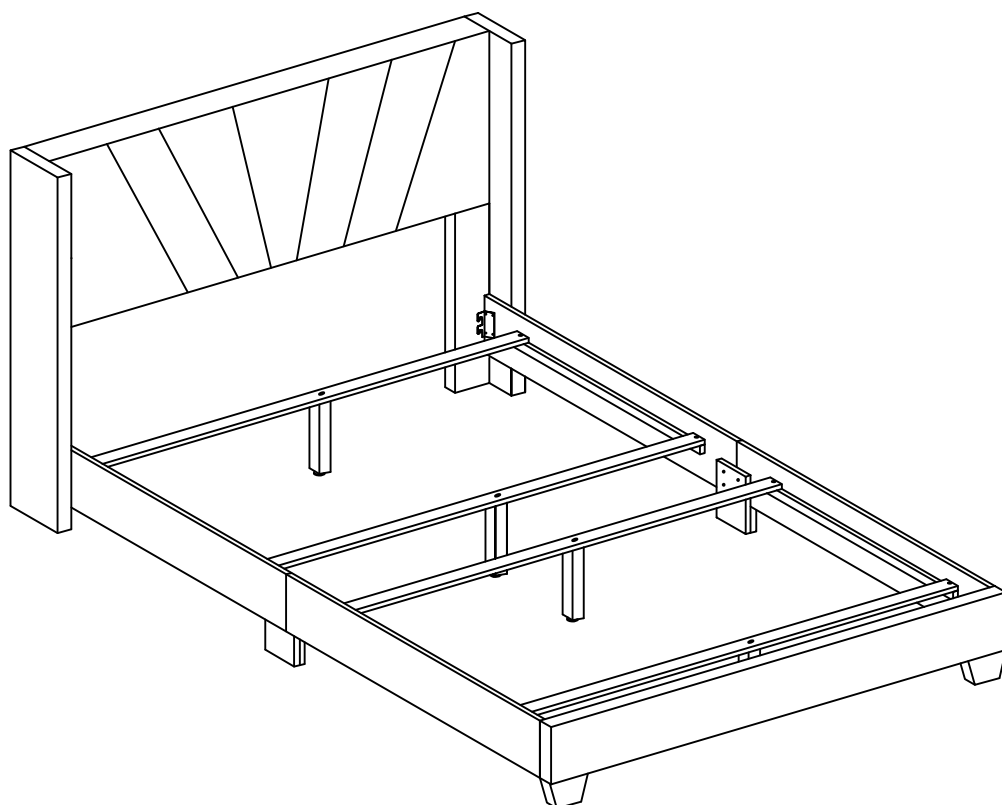
1. Components subjected to abuse including abuse intended to simulate failure.
2. Damages caused by shipper, dealer, or installation crew such as scratches, dents, fabric tears etc.
3. Any part which merely exhibits normal wear yet functions essentially as new.
4. Boyd Sleep disclaims liability for any aspect of installation and any inconvenience caused by a defective part of a component.
5. Tears, punctures, dents, or any damage caused by improper installation.
6. Items sold “as is” and Floor Model Units.
7. Boyd Sleep warrants only the products listed at the top of this page. This warranty does not extend to any mattress that may be placed on the listed products.
8. Weight Capacity – King, California King, Queen, Double size – 700 Lbs. Twin size – 400 Lbs.

To make a claim, return the defective part along with your original sales receipt to an authorized Boyd Sleep dealer. If there is not a dealer in your area, send a copy of the original sales receipt, the defective product along with a brief description of the problem to: Boyd Sleep, 2440 Adie Rd., St. Louis, MO, 63043. All items must be sent freight prepaid.

Replacement will be made at the company’s option. This is the entire exclusive express limited warranty. The manufacturer neither makes nor is responsible for any other warranties, either expressed or implied, including those of retailing dealers. **Any and all liability for breach of warranty, as well as damages for incidental or consequential losses is expressly denied.**

**BOYD SLEEP, 2440 ADIE RD, ST. LOUIS, MO 63043
Phone - 314-993-2693**

Platform Bed
Assembly Instruction
Contains One Bed and Hardware



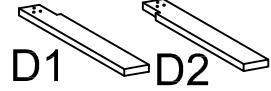
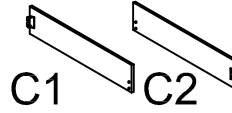
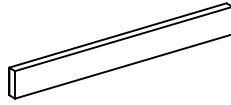
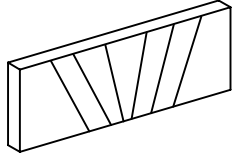
IMPORTANT NOTE:

Carefully remove all the parts from the box. Arrange on a flat surface and verify you have all of the following parts and hardware

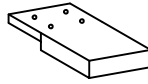
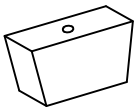
TOOLS REQUIRED:
Phillips Screwdriver

PARTS LIST

- A. Headboard (1 pc)** **B. Footboard (1 pc)** **C. Side Rail (4 pcs)** **D. Headboard Legs (2 pcs)**



- E. Footboard Leg (2 pcs)** **F. Side Rail Leg (2 pcs)** **G. Side Rail Support (4 pcs)**



- H. Slat (4 pcs)**



- I. Center Leg (4 pcs)**

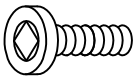


- J. Side Wing (2 pcs)**

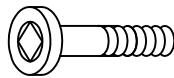


HARDWARE LIST

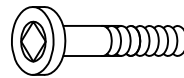
- K. 20mm Bolt (8 pcs)**



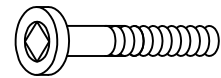
- L. 30mm Bolt (20 pcs)**



- M. 40mm Bolt (8 pcs)**



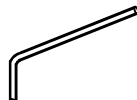
- N. 50mm Bolt (8 pcs)**



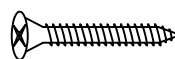
- O. Large Hex Key (1 pc)**



- P. Small Hex Key (1 pc)**



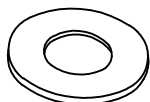
- Q. 32mm Screw (8 pcs)**



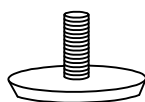
- R. Spring Washer (10 pcs)**



- S. Flat Washer (12 pcs)**

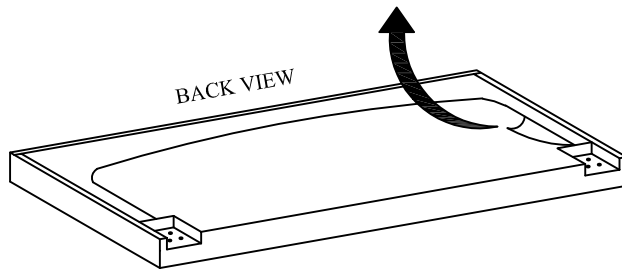


- T. Adjuster (4 pcs)**

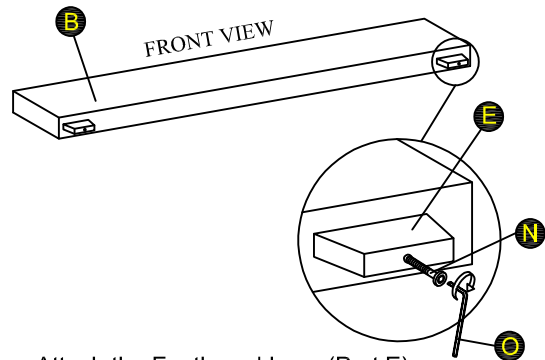


ASSEMBLY INSTRUCTIONS

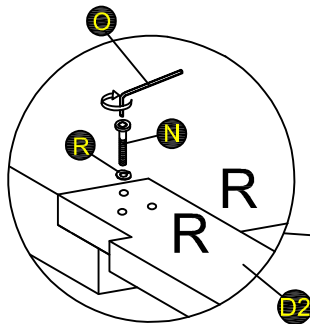
STEP 1



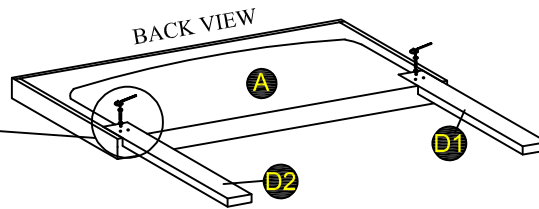
Unzip the black fabric on the back of the headboard and remove the parts. Zip the black fabric closed after parts are removed.



Attach the Footboard Legs (Part E) to the Footboard (Part B) using two 50mm Bolts (Part N) and Large Hex Key (Part O). Secure tightly.

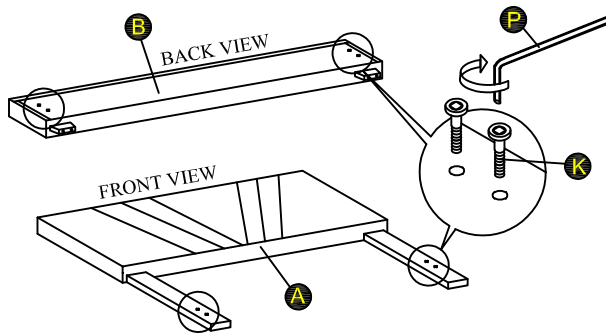


Match the label!



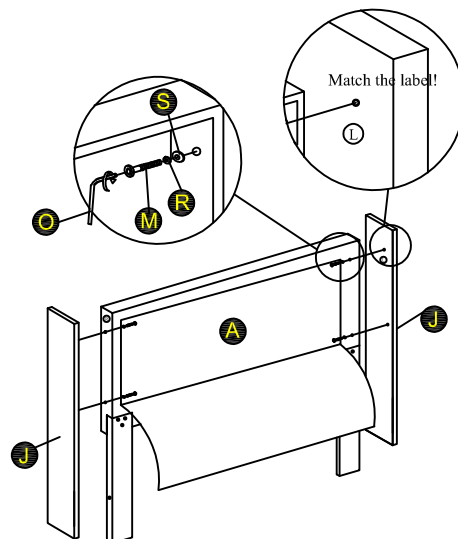
Attach Headboard Legs (Part D1+D2) to the Headboard (Part A) using three 50mm Bolts (Part N) and three Spring Washers (Part R) per leg. Secure tightly using Large Hex Key (Part O).

STEP 2



Attach the eight 20mm Bolts (Part K) to the headboard legs and footboard using the Small Hex Key (Part P). Do not tighten.

STEP 3

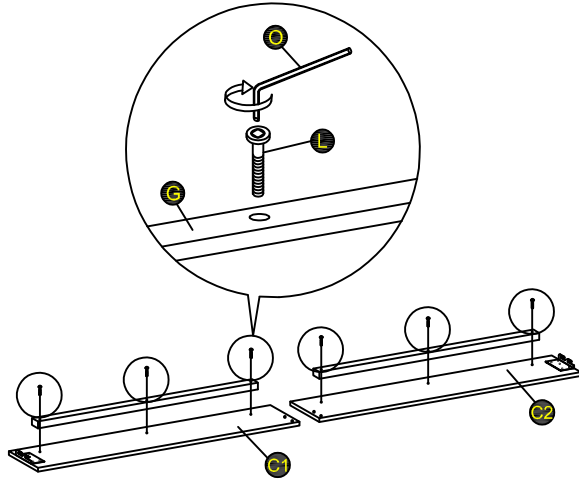


Attention: Zip the black non-woven fabric after tightening the bolts !!

Attach the Side Wings (Part J) to the headboard using four 40mm Bolts (Part M), four Spring Washers (Part R) and four Flat Washers (Part S) using the Large Hex Key (Part O).

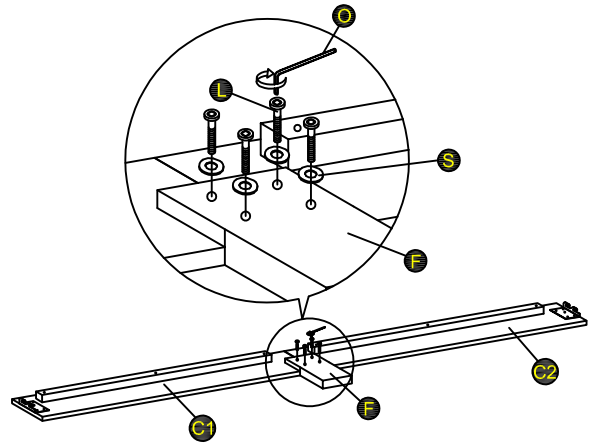
ASSEMBLY INSTRUCTIONS

STEP 4



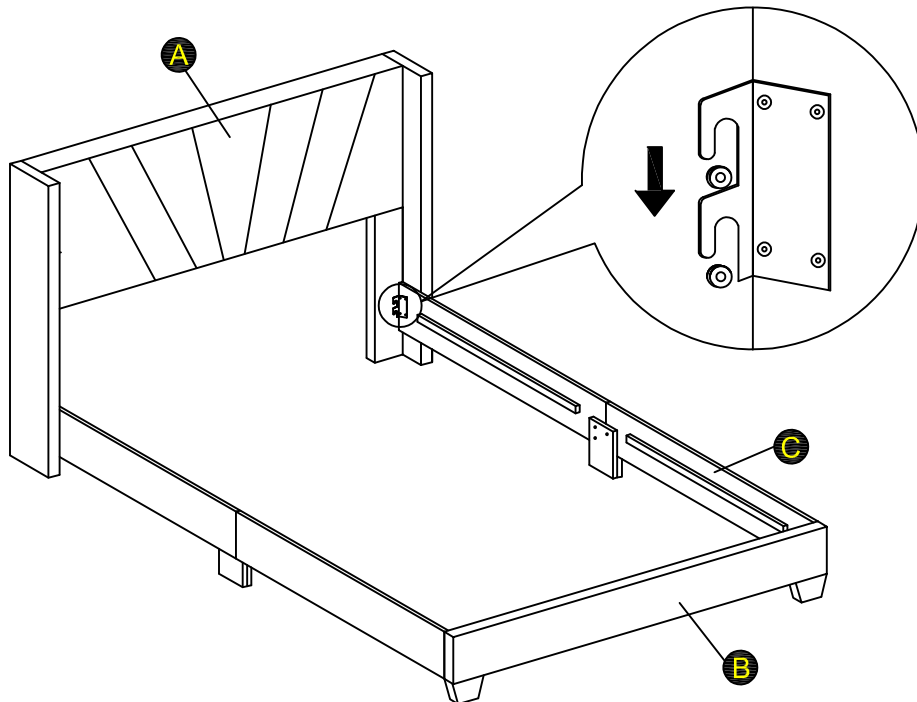
Attach the four Side Rail Supports (Part G) to the Side Rails (Part C1 and C2) using twelve 30mm Bolts (Part L) and Large Hex Key (Part O). Tighten the bolts.

STEP 5



Attach the Side Rail Legs (Part F) to the Side Rails (Part C1 and C2) using 30mm Bolts (Part L) and Flat Washers (Part S). Tighten using Large Hex Key (Part O).

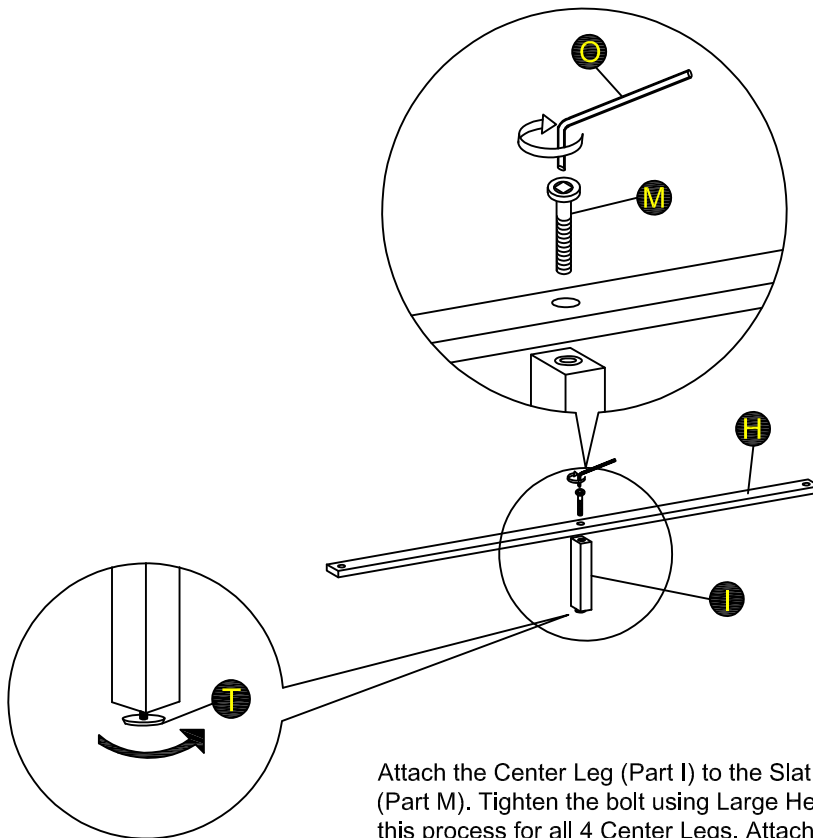
STEP 6



Attach the complete Side Rails to the Headboard (Part A) and Footboard (Part B) by sliding the side rail brackets onto the bolts on the Headboard Legs (Part D) and Footboard (Part B). Do not tighten yet.

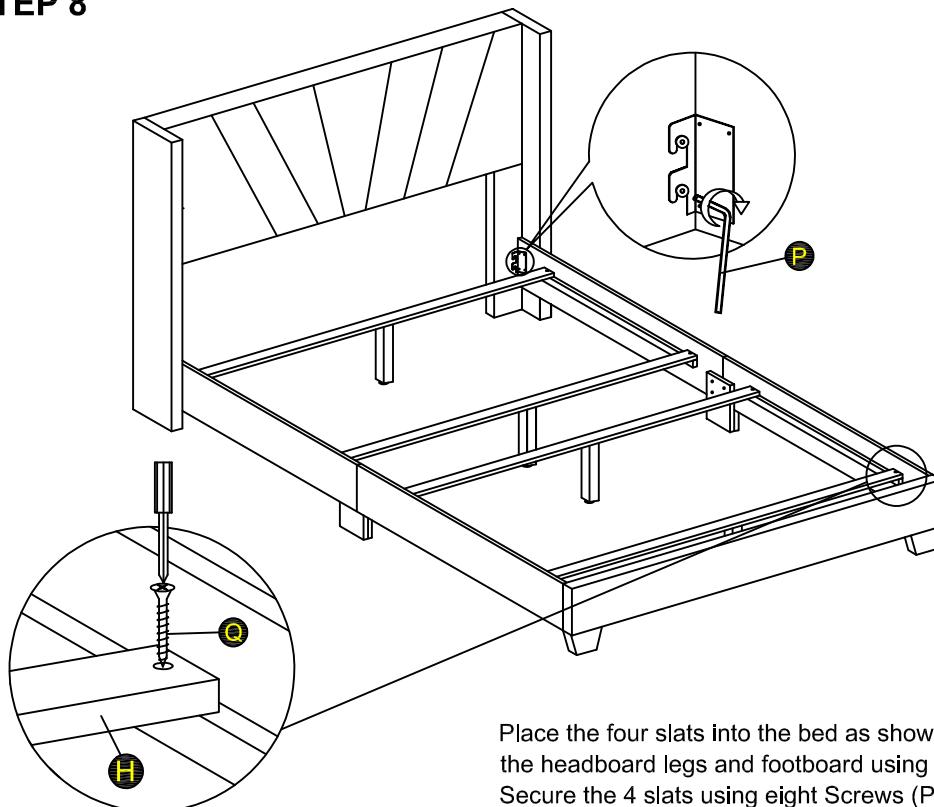
ASSEMBLY INSTRUCTIONS

STEP 7



Attach the Center Leg (Part I) to the Slat (Part H) using 40mm Bolt (Part M). Tighten the bolt using Large Hex Key (Part O). Repeat this process for all 4 Center Legs. Attach the adjusters (Part T) to the Center Legs (Part I) and adjust as needed to level the bed.

STEP 8



Place the four slats into the bed as shown. Tighten the bolts on the headboard legs and footboard using Small Hex Key (Part P). Secure the 4 slats using eight Screws (Part Q) and a Phillips Screwdriver. Your bed is now set up and ready for use. For Customer Support please call: 314-993-2693