



4515 East 139th Street  
 Grandview, MO 64030  
 (800) 362-9055  
 Fax (800) 362-1463  
 www.PRIER.com

# C-144/244 Series Freezeless Wall Hydrant

Application

**With Anti-Siphon Vacuum Breaker**

- Residential
- Freezeless
- Anti-Siphon
- Backflow Check Valve

**C-244 Loose Key Design**



PRIER C-144 provides a year round source of water to areas of structures that are subject to freezing temperatures. The hydrant valve is connected to the supply piping in the heated portion of the structure, eliminating the possibility of freezing. Ordering the C-244 gives you the same style hydrant but with a vandal proof extended lockshield and operating key.

The PRIER C-144 has all the characteristics of the historically proven C-134 with the added protection of an anti-siphon vacuum breaker and backflow check valve. It is available from stock in lengths from close coupled to 24", longer sizes are available on request.

Features

- ASSE 1019 and C-UPC approved
- Anti-siphon vacuum breaker with backflow check valve
- Aluminum vacuum breaker cap with increased durability
- Integral cast flange with built-in drainage pitch
- Enclosed screw holes easily secure mounting screws
- Solid brass body, valve stem cap, seat and stem ends
- Satin nickel plated body maintains attractive finish
- Stainless steel seat washer screw and handle screw
- Powder coated cast aluminum handle
- Durable ACME threads secure stem at seat end
- Lock shield cap for stronger valve design
- AFG teflon with graphite packing for easy maintenance
- Standard "OO" size seat washer
- Spout aligning mark
- Slim seat inlet for easier installation

## Inlet Styles



Ordering

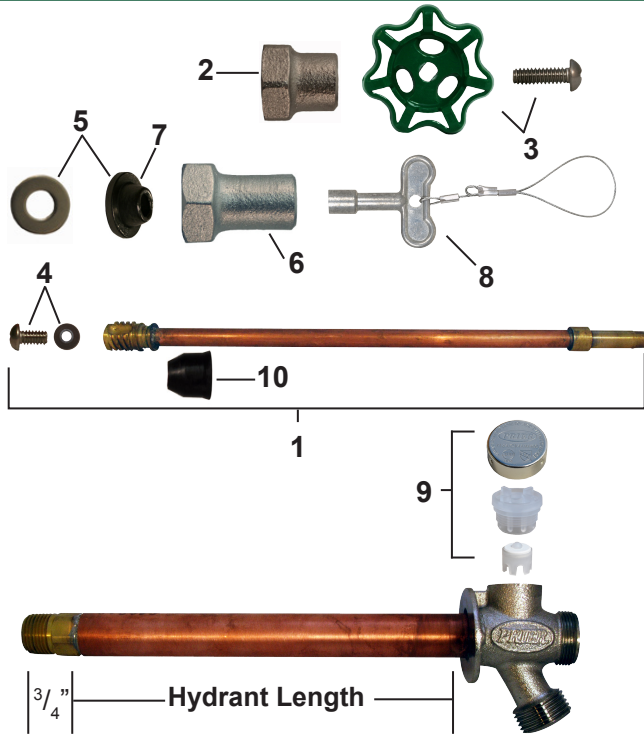
## C-144D10

<p><b>Operator</b>          1- Handle Operated          2- Vandal Proof Lockshield</p>	<p><b>Inlet</b>          D- 1/2" MPT x 1/2" SWT          F- 3/4" MPT x 3/4" SWT          S- 1/2" SWT x 3/4" Push-On          T- 3/4" MIP x 1/2" FIP          W- 1/2" Wirsbo® PEX          X- 1/2" Crimp PEX          FX- 3/4" Crimp PEX          FW- 3/4" Wirsbo PEX®</p>	<p><b>Length</b>          CC- Close Coupled          04- 4" Insertion          06- 6" Insertion          08- 8" Insertion          10- 10" Insertion          12- 12" Insertion          14- 14" Insertion          16- 16" Insertion          18- 18" Insertion          20- 20" Insertion          22- 22" Insertion          24- 24" Insertion          XX- Special Size</p>
--	---	---



4515 East 139th Street  
 Grandview, MO 64030  
 (800) 362-9055  
 Fax (800) 362-1463  
 www.PRIER.com

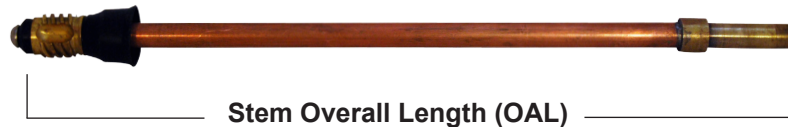
Replacement Parts



ID	Part No.	Description
1	See Below	Stem Assembly, Contains: 1, 4, 10
2	300-1008	Valve Stem Cap
3	C-134KT-805	Oval Handle and Screw Kit
4	C-134KT-802	Seat Washer Replacement Kit (00 Beveled)
5	C-134KT-803	Stem Packing Replacement Kit
6	310-1015	Valve Stem Cap for Loose Key
7	390-1001	Stem Packing Only
8	C-108KT-808	Oval Style Key on Lanyard
9	C-144KT-806	Universal Vacuum Breaker Replacement Kit
10	336-0002	Backflow Check Valve for C-144
	C-134KT-804	Loose Key Conversion Kit Contains: 5,6,8
	C-144KT-807	C-144 Overhaul Kit Contains: 3, 4, 5, 9, 10

\*The C-144KT-806 Universal Vacuum Breaker Kit fits all current and past PRIER and Mansfield style residential hydrants.

Replacement Stems



**G Style Manufactured April 2013 - Present**

Part No.	Style	Description	Stem Length
P-231-12CC	G	Close Coupled Stem for C-144 Hydrant	4 <sup>3</sup> / <sub>8</sub> " OAL
P-231-1204	G	Stem for 4" C-144 Hydrant	6 <sup>7</sup> / <sub>8</sub> " OAL
P-231-1206	G	Stem for 6" C-144 Hydrant	8 <sup>7</sup> / <sub>8</sub> " OAL
P-231-1208	G	Stem for 8" C-144 Hydrant	10 <sup>7</sup> / <sub>8</sub> " OAL
P-231-1210	G	Stem for 10" C-144 Hydrant	12 <sup>7</sup> / <sub>8</sub> " OAL
P-231-1212	G	Stem for 12" C-144 Hydrant	14 <sup>7</sup> / <sub>8</sub> " OAL
P-231-1214	G	Stem for 14" C-144 Hydrant	16 <sup>7</sup> / <sub>8</sub> " OAL
P-231-1216	G	Stem for 16" C-144 Hydrant	18 <sup>7</sup> / <sub>8</sub> " OAL
P-231-1218	G	Stem for 18" C-144 Hydrant	20 <sup>7</sup> / <sub>8</sub> " OAL
P-231-1220	G	Stem for 20" C-144 Hydrant	22 <sup>7</sup> / <sub>8</sub> " OAL
P-231-1222	G	Stem for 22" C-144 Hydrant	24 <sup>7</sup> / <sub>8</sub> " OAL
P-231-1224	G	Stem for 24" C-144 Hydrant	26 <sup>7</sup> / <sub>8</sub> " OAL
P-231-12US	G	*Universal Replacement Stem for C-144 Hydrant	Up to 16 <sup>7</sup> / <sub>8</sub> " OAL

\*\*For the **old style C-144 Series** wall hydrant stems, see C-144 Series retired style spec sheet at [www.PRIER.com](http://www.PRIER.com). PRIER universal stems are replacement stems for any size from close coupled to 14." They require cutting the rod to proper length and soldering the brass stem end to the rod as directed in instructions.