



Operator's Manual DSRM-2100 Grass Trimmer

WARNING

This product contains chemicals known to the State of California to cause cancer, birth defects, or other reproductive harm. Cancer and Reproductive Harm www.P65Warnings.ca.gov

WARNING



*Read and understand all provided literature before use.
Failure to do so could result in serious injury.*

Note: This product complies with CAN ICES-003(B) / NMB-003(B)

99922238008

© 01/2023 ECHO Incorporated

TABLE OF CONTENTS

Introduction.....3

Servicing Information.....3

 Parts / Serial Number.....3

 Service.....4

 ECHO Consumer Product Support.....4

 Product Registration.....4

 Additional Literature.....4

 Packing List.....4

Safety.....5

 Manual Safety Symbols and Important Information.....5

 International Symbols.....6

 General Power Tool Safety Warnings.....7

 FCC Statement.....13

 Environmentally Battery Disposal.....14

Description.....15

Assembly.....17

 Unpack The Machine.....17

 Assemble The Shaft.....18

 Attach The Support Handle.....19

 Install The Battery.....20

 Remove The Battery.....20

Operation.....21

 Start The Machine.....21

 Stop The Machine.....21

 Adjust The Length Of The Cutting Line.....22

 Line Cut-off Knife.....22

 Adjust The Cutting Diameter.....22

 Operation Tips.....23

 Cutting Tips.....23

Maintenance.....24

 General Information.....24

 Clean The Machine.....24

 Nylon Line Replacement.....25

 Nylon Line Head Disassembly Instructions.....26

Troubleshooting.....27

Storage.....29

 Storage After Use.....29

Specifications.....30

Product Registration.....31

Warranty.....33

INTRODUCTION

Specifications, descriptions and illustrative material in this literature are as accurate as known at the time of publication, but are subject to change without notice. Illustrations may include optional equipment and accessories, and may not include all standard equipment.



Read and understand all provided literature. Literature contains specifications and information for safety, operation, maintenance, storage, and assembly specific to this product. Scan QR code for more information.



For additional literature, including safety manuals where applicable, or questions regarding terms used in this manual, visit:

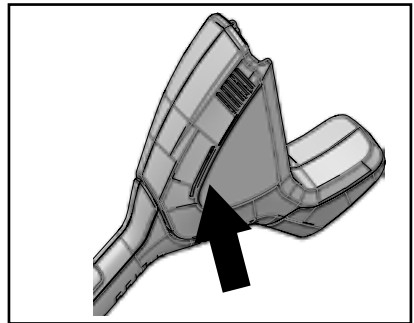
<https://www.echo-usa.com/manuals>



SERVICING INFORMATION

Parts / Serial Number

Genuine ECHO Parts and Assemblies for your ECHO products are available only from an Authorized ECHO Dealer. When you do need to buy parts always have the Model Number and Serial Number of the unit with you. For future reference write them in the space provided below.



Model No. _____

Serial No. _____

Service

Service of this product during the warranty period must be performed by an Authorized ECHO Service Dealer. For the name and address of the Authorized ECHO Service Dealer nearest you, ask your retailer or call: 1-800-432-ECHO (3246). Dealer information is also available on our Web Site www.echo-usa.com. When presenting your unit for Warranty service/ repairs, proof of purchase is required.

ECHO Consumer Product Support

If you require assistance or have questions concerning the application, operation, or maintenance of this product, call the ECHO Consumer Product Support Department at 1-800-432-ECHO (3246) from 8:00 am to 5:00 pm (Central Standard Time) Monday through Friday. Before calling, please know the model and serial number of your unit.

Product Registration

Register your ECHO equipment online at www.echo-usa.com or by filling out the product registration sheet included in this manual. Registering your product confirms warranty coverage and provides a direct link to ECHO if we find it necessary to contact you.

Additional Literature

In addition to finding information online, information is available from your Authorized ECHO Service Dealer, or by contacting ECHO Incorporated, 400 Oakwood Road, Lake Zurich, IL 60047, 1-800-432-ECHO (3246).

PACKING LIST

The ECHO product you purchased has been factory pre-assembled for your convenience. Due to packaging restrictions, some assembly may be necessary.

After opening the carton, check for damage. Immediately notify your retailer or ECHO Dealer of damaged or missing parts. Use the contents list to check for missing parts.

- 1 Grass Trimmer Bare Tool
- 1 Support Handle Assembly
- 1 Wrench
- 1 Operator's Manual

SAFETY

Manual Safety Symbols and Important Information

Throughout this manual and on the product itself, you will find safety alerts and helpful, informational messages preceded by symbols or key words. The following is an explanation of those symbols and key words and what they mean to you.

DANGER

*The safety alert symbol accompanied by the word “DANGER” calls attention to an act or condition which **WILL** lead to serious personal injury or death if not avoided.*

WARNING

*The safety alert symbol accompanied by the word “WARNING” calls attention to an act or condition which **CAN** lead to serious personal injury or death if not avoided.*

CAUTION

*The safety alert symbol accompanied by the word “CAUTION” calls attention to an act or condition which **might** lead to minor or moderate personal injury if not avoided.*

NOTICE

The enclosed message provides information necessary for the protection of the unit.

Note: This enclosed message provides tips for use, care and maintenance of the unit.














CIRCLE AND SLASH SYMBOL

This symbol means the specific action shown is prohibited. Ignoring these prohibitions can result in serious or fatal injury.

International Symbols

Some of the following symbols may be used on this product. Please study them and learn their meaning. Proper interpretation of these symbols will allow you to operate the product better and safer.

Symbol	Description	Symbol	Description
	Direct current		Safety / Alert
	Read and follow all safety precautions in the operator's manual. Failure to follow instructions could result in serious personal injury.		Wear eye protection.
	Wear safety footwear.		Wear protective gloves.
	Wear head protection.		Do not expose to rain or in damp condition.
	Thrown objects can ricochet and result in personal injury or property damage.		Keep all bystanders at least 50'/15m away.
	Do not use blades – line heads only.		

Note: Not all symbols will appear on your unit.

General Power Tool Safety Warnings

READ ALL INSTRUCTIONS BEFORE USING (THIS POWER TOOL)

WARNING

Read all safety warnings, instructions, illustrations and specifications provided with this power tool. *Failure to follow the warnings and instructions may result in electric shock fire and/or serious injury.*

Save all warnings and instructions for future reference.

The term "power tool" in the warnings refers to your BATTERY-operated (cordless) power tool.

Work Area Safety

- **Keep work area clean and well lit.** *Cluttered or dark areas invite accidents.*
- **Do not operate power tools in explosive atmospheres, such as in the presence of flammable liquids, gases or dust.** *Power tools create sparks which may ignite the dust or fumes.*
- **Keep children and bystanders away while operating a power tool.** *Distractions can cause you to lose control.*

Electrical Safety

- **Power tool plugs must match the outlet. Never modify the plug in any way. Do not use any adapter plugs with earthed (grounded) power tools.** *Unmodified plugs and matching outlets will reduce risk of electric shock.*
- **Avoid body contact with earthed or grounded surfaces, such as pipes, radiators, ranges and refrigerators.** *There is an increased risk of electric shock if your body is earthed or grounded.*
- **Do not expose power tools to rain or wet conditions.** *Water entering a power tool will increase the risk of electric shock.*
- **Do not abuse the cord. Never use the cord for carrying, pulling or unplugging the power tool. Keep cord away from heat, oil, sharp edges or moving parts.** *Damaged or entangled cords increase the risk of electric shock.*
- **When operating a power tool outdoors, use an extension cord suitable for outdoor use.** *Use of a cord suitable for outdoor use reduces the risk of electric shock.*
- **If operating a power tool in a damp location is unavoidable, use a RESIDUAL CURRENT DEVICE (RCD) protected supply.** *Use of an RCD reduces the risk of electric shock.*

Personal Safety

- **Stay alert, watch what you are doing and use common sense when operating a power tool. Do not use a power tool while you are tired or under the influence of drugs, alcohol or medication. A moment of inattention while operating power tools may result in serious personal injury.**
- **Use personal protective equipment. Always wear eye protection. Protective equipment such as a dust mask, non-skid safety shoes, hard hat or hearing protection used appropriately will reduce personal injuries.**
- **Prevent unintentional starting. Ensure the switch is in the off position before connecting to power source and/or battery and when picking up or carrying the tool. Carrying power tools with your finger on the switch or energizing power tools that have the switch on invites accidents.**
- **Remove any adjusting key or wrench before turning the power tool on. A wrench or a key left attached to a rotating part of the power tool may result in personal injury.**
- **Do not over-reach. Keep proper footing and balance at all times. This enables better control of the power tool in unexpected situations.**
- **Dress properly. Do not wear loose clothing or jewelry. Keep your hair, clothing and gloves away from moving parts. Loose clothes, jewelry or long hair can be caught in moving parts.**
- **If devices are provided for the connection of dust extraction and collection facilities, ensure these are connected and properly used. Use of dust collection can reduce dust related hazards.**
- **Do not let familiarity gained from frequent use of tools allow you to become complacent and ignore tool safety principles. A careless action can cause severe injury within a fraction of a second.**

Power Tool Use and Care

- **Do not force the power tool. Use the correct power tool for your application. The correct power tool will do the job better and safer at the rate for which it was designed.**
- **Do not use the power tool if the switch does not turn it on and off. Any power tool that cannot be controlled with the switch is dangerous and must be repaired.**
- **Disconnect the plug from the power source and/or remove the battery, from the power tool before making any adjustments, changing accessories, or storing power tools. Such preventive safety measures reduce the risk of starting the power tool accidentally.**
- **Store idle power tools out of the reach of children and do not allow persons unfamiliar with the power tool or these instructions to operate the power tool. Power tools are dangerous in the hands of untrained users.**
- **Maintain power tools and accessories. Check for misalignment or**

binding of moving parts, breakage of parts and any other condition that may affect the power tool's operation. If damaged, have the power tool repaired before use. *Many accidents are caused by poorly maintained power tools.*

- **Keep cutting tools sharp and clean.** *Properly maintained cutting tools with sharp cutting edges are less likely to bind and are easier to control.*
- **Use the power tool and accessories in accordance with these instructions, taking into account the working conditions and the work to be performed.** *Use of the power tool for operations different from those intended could result in a hazardous situation.*
- **Keep handles and grasping surfaces dry, clean and free from oil and grease.** *Slippery handles and grasping surfaces do not allow for safe handling and control of the tool in unexpected situations.*

Battery Tool Use and Care

- **Recharge only with ECHO eFORCE™ 56V battery series chargers.** *A charger that is suitable for one type of battery may create a risk of fire when used with another battery.*
- **Use only with ECHO eFORCE™ 56V battery series.** *Use of any other batteries may create a risk of injury and fire.*
- **When battery is not in use, keep it away from other metal objects like paper clips, coins, keys, nails, screws, or other small metal objects that can make a connection from one terminal to another.** *Shorting the battery terminals together may cause burns or fire.*
- **Do not open or destroy the battery.** *Electrolytes contained within the battery are corrosive and may cause damage to eyes or skin if released. It may be toxic if swallowed.*
- **Under abusive conditions, liquid may be ejected from the battery; avoid contact. If contact accidentally occurs, flush with water. If liquid contacts eyes, additionally seek medical help.** *Liquid ejected from the battery may cause irritation or burns.*
- **Exercise care in handling batteries to avoid shorting the battery with conducting materials such as rings, bracelets, keys, etc.** *The battery or conductor may overheat and cause burns if contact with said materials is made.*
- **Do not use a battery or tool that is damaged or modified.** *Damaged or modified batteries may exhibit unpredictable behavior resulting in fire, explosion or risk of injury.*
- **Do not expose a battery or tool to fire or excessive temperature.** *Exposure to fire or temperature above 266 °F (130 °C) may cause explosion.*
- **Follow all charging instructions and do not charge the battery or tool outside the temperature range specified in the instructions.** *Charging improperly or at temperatures outside the specified range may damage the battery and increase the risk of fire.*

Child Safety

Tragic accidents can occur if the operator is not aware of the presence of children.

- Keep children out of the working area and under the watchful care of a responsible adult.
- Do not allow children to operate this machine.
- Stay alert, and turn the machine off if a child or any other person enters the working area.
- Use extreme care when approaching blind corners, doorways, shrubs, trees, or other objects that may obscure your view of a child who may run into the path of the machine.

Service

- **Have your power tool serviced by an authorized ECHO dealer using only identical replacement parts.** *This will ensure that the safety of the power tool is maintained.*
- **Never service damaged batteries.** *Service of batteries should only be performed by the manufacturer or authorized service providers.*

Grass Trimmer Safety Warnings

- Use only identical manufacturer's replacement parts and accessories. Use of any other parts may create a hazard or cause product damage.
- Always wear safety glasses with side shields marked to comply with ANSI Z87.1. Everyday glasses have only impact resistant lenses. They are NOT safety glasses. Following this rule will reduce the risk of eye injury. Use face mask if operating in dusty work spaces.
- Avoid dangerous environment – Don't expose power tools to damp or wet conditions. Water entering a power tool will increase the risk of electric shock.
- Don't use in rain.
- Keep all bystanders, children, and pets at least 50 ft./15 m. away.
- Dress properly – Do not wear loose clothing or jewelry. They can be caught in moving parts. Use of rubber gloves and substantial footwear is recommended when working outdoors. Wear protective hair covering to contain long hair.
- Use the right machine. Do not use the machine for any job except that for which it is intended.
- Avoid unintentional starting – Don't carry the machine with finger on switch. Be sure switch is off when battery is plugged in.
- Don't force the machine – It will do the job better and with less likelihood of a risk of injury at the rate for which it was designed.
- Don't overreach – Keep proper footing and balance at all times.

- Stay alert – Watch what you are doing. Use common sense. Do not operate this unit when you are tired, ill or under the influence of alcohol, drugs or medication.
- Always store idle power tools indoors – When not in use, power tools should be stored indoors in a dry and high or locked-up place, out of reach of children.
- Maintain the machine with care – Replace string head if cracked, chipped, or damaged in any way. Be sure the string head is properly installed and securely fastened. Keep cutting edge sharp and clean for best performance and to reduce the risk of injury. Follow instructions for lubricating and changing accessories. Inspect cord periodically, and if damaged, have it repaired by an authorized service facility. Inspect extension cords periodically and replace if damaged. Keep handles dry, clean, and free from oil and grease. Failure to do so can cause serious injury.
- Check damaged parts before using the machine, a guard or other part that is damaged should be carefully checked to determine that it will operate properly and perform its intended function. Check for alignment of moving parts, binding of moving parts, breakage of parts, damaged mountings, and any other condition that may affect its operation. A guard or other part that is damaged should be properly repaired or replaced by an authorized service center unless indicated elsewhere in this manual.
- Remove or disconnect battery before servicing, cleaning or removing material from the gardening machine.
- Do not modify or attempt to repair the machine or the battery (as applicable) except as indicated in the instructions for use and care. Use machines only with ECHO eFORCE™ 56V battery series. Use of any other batteries may create a risk of injury and fire.
- Recharge only with ECHO eFORCE™ 56V battery series chargers. A charger that is suitable for one type of battery may create a risk of fire when used with another battery.
- When battery is not in use, keep it away from other metal objects, like paper clips, coins, keys, nails, screws or other small metal objects, that can make a connection from one terminal to another. Shorting the battery terminals together may cause a fire.
- Under abusive conditions, liquid may be ejected from the battery; avoid contact. If contact accidentally occurs, flush with water. If liquid contacts eyes, additionally seek medical help. Liquid ejected from the battery may cause irritation or burns.
- Do not use a battery or machine that is damaged or modified. Damaged or modified batteries may exhibit unpredictable behavior resulting in fire, explosion or risk of injury.
- Do not expose a battery or machine to fire or excessive temperature. Exposure to fire or temperature above 265 °F (130 °C) may cause an explosion.

- Do not dispose of the batteries in a fire. The cells may explode. Check with local codes for possible special disposal instructions.
- Do not open or mutilate the batteries. Released electrolyte is corrosive and may cause damage to the eyes or skin. It may be toxic if swallowed.
- Exercise care in handling batteries in order not to short the battery with conducting materials such as rings, bracelets, and keys. The battery or conductor may overheat and cause burns.
- Follow all charging instructions and do not charge the battery or machine outside of the temperature range specified in the instructions. Charging improperly or at temperatures outside of the specified range may damage the battery and increase the risk of fire.
- Have servicing performed by a qualified repair person using only identical replacement parts. This will ensure that the safety of the product is maintained.
- Keep guards in place and in working order.
- Keep hands and feet away from cutting area.
- Disconnect the battery from the machine before making any adjustments, changing accessories, or storing machine. Such preventive safety measures reduce the risk of starting the machine accidentally.
- Use only with the nylon cutting line of 0.095" (2.4 mm) diameter and smaller. Do not use heavier lines than recommended by the manufacturer and line materials of other types – for example, metal wire, rope, and the like.

SAVE THESE INSTRUCTIONS

FCC Statement

This device complies with Part 15 of the FCC Rules. Operation is subject to the following two conditions:

- This device may not cause harmful interference.
- This device must accept any interference received, including interference that may cause undesired operation.

CAUTION

Changes or modifications not expressly approved by the party responsible for compliance could void the user's authority to operate the equipment.

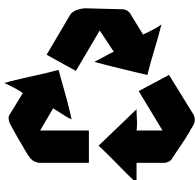
NOTICE

This equipment has been tested and found to comply with the limits for a Class B digital device, pursuant to Part 15 of the FCC Rules.

These limits are designed to provide reasonable protection against harmful interference in a residential installation. This equipment generates, uses and can radiate radio frequency energy, and if not installed and used in accordance with the instructions, may cause harmful interference to radio or television reception. The reception can be determined by turning the equipment off and on. The user is encouraged to try to correct the interference by one or more of the following measures:

- *Reorient or relocate the receiving antenna.*
- *Increase the separation between the equipment and the receiver.*
- *Connect the equipment into an outlet on a circuit different from that to which the receiver is connected.*
- *Consult the dealer or an experienced radio/TV technician for help.*

Environmentally Safe Battery Disposal



The toxic and corrosive materials below are in the batteries used in this machine: Lithium-Ion, a toxic material.

Discard all toxic materials in a specified manner to prevent contamination of the environment. Before discarding damaged or worn out Li-ion battery, contact your local waste disposal agency, or the local Environmental Protection Agency for information and specific instructions. Take the batteries to a local recycling and/or disposal center, certified for lithium-ion disposal.

If the battery cracks or breaks, with or without leaks, do not recharge it and do not use. Discard it and replace with a new battery. DO NOT TRY TO REPAIR IT!

To prevent injury and risk of fire, explosion, or electric shock, and to avoid damage to the environment:

Cover the terminals of the battery with heavy-duty adhesive tape.

DO NOT try to remove or destroy any of the battery components.

DO NOT try to open the battery.

If a leak develops, the released electrolytes are corrosive and toxic. DO NOT get the solution in the eyes or on skin, and do not swallow it.

DO NOT put these batteries in your regular household trash.

DO NOT incinerate.

DO NOT put them where they will become part of any waste landfill or municipal solid waste stream.

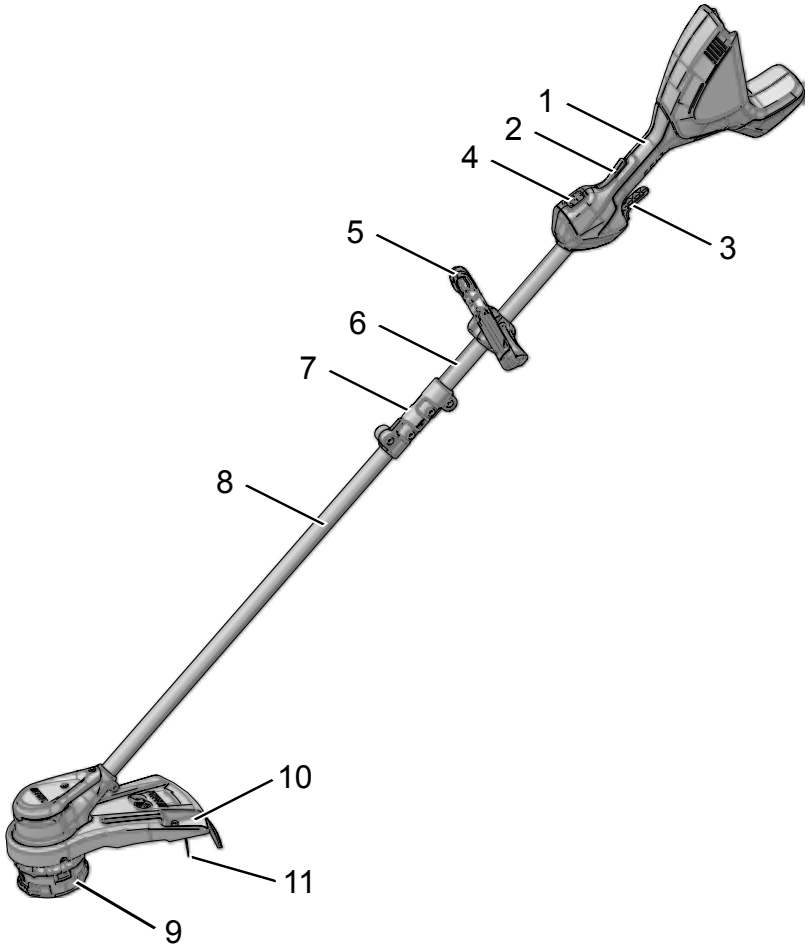
Take them to a certified recycling or disposal center.

The recommended ambient temperature range:

ITEM	TEMPERATURE
Power tool storage temperature range	32°F (0°C) - 113°F (45°C)
Power tool operation temperature range	32°F (0°C) - 113°F (45°C)
Battery charging temperature range	39°F (4°C) - 104°F (40°C)
Charger operation temperature range	39°F (4°C) - 104°F (40°C)
Battery storage temperature range	32°F (0°C) - 113°F (45°C)
Battery discharging temperature range	32°F (0°C) - 113°F (45°C)

DESCRIPTION

Locate the safety label(s) on your unit. Make sure the label(s) is legible and that you understand and follow the instructions on it. If a label cannot be read, a new one can be ordered from your ECHO dealer. Safety label is for example only. Your label may appear slightly different.



WARNING: This tool is not to be used for cutting or trimming any material that is not specifically designed for this purpose. Use only the trimmer head and line specified in the user manual. Failure to follow these instructions may result in injury or damage to the tool.

AVERTISSEMENT: Cet outil n'est pas à utiliser pour couper ou élaguer tout matériau qui n'est pas spécialement conçu à cet effet. Utilisez uniquement la tête de coupe et la ligne recommandées dans le manuel de l'utilisateur. Le non-respect de ces instructions peut entraîner des blessures ou des dommages à l'outil.

ADVERTENCIA: Este instrumento no debe utilizarse para cortar o podar cualquier material que no esté específicamente diseñado para este propósito. Úsese únicamente la cabeza de podadora y la línea recomendada en el manual del usuario. El incumplimiento de estas instrucciones puede causar lesiones o daños al instrumento.



CORDLESS STRING TRIMMER 56V

COUPE-HERBE SANS FIL **DSRM-2100**

PODADORA INALÁMBRICA 1-800-432-3246

0.095 IN (2.4 MM) DIA. SILENTWIST LINE
 0.095 IN (2.4 MM) DIA. FIL DE SILENTWIST
 0.095 PULG. (2.4 MM) DIA. LÍNEA DE SILENTWIST

Certified to CSA Std. C22.2 No.147
 Conforme to UL Std. 82
 Certifié selon la norme CSA C22.2 No.147
 Conforme à UL Std. 82
 Certificado a CSA STD C22.2 No.147
 Cumple con UL Std. 82

Made in China
 Fabriqué en Chine
 Hecho en China

Intertek
 5021527

ECHO Incorporated
 400 Oakwood Road
 Lake Zurich, IL 60047

QR:

Build date:

SN:

1. Rear handle
2. Lock-out lever
3. Trigger switch
4. Speed switch
5. Support handle
6. Upper shaft
7. Coupler
8. Lower shaft
9. Trimmer head
10. Debris shield
11. Cut-off knife

ASSEMBLY

WARNING

Remove the battery from the machine before installation.

WARNING

Do not use accessories that are not recommended for this machine.

Unpack the Machine

WARNING

Make sure that you correctly assemble the machine before use.

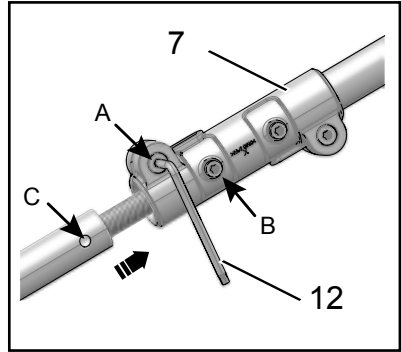
WARNING

- *If the parts are damaged, do not use the machine.*
- *If you do not have all the parts, do not operate the machine.*
- *If the parts are damaged or missing, speak to the service center.*

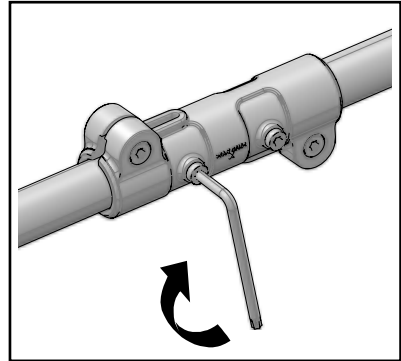
1. Open the package.
2. Read the documentation in the box.
3. Remove all the unassembled parts from the box.
4. Remove the machine from the box.
5. Discard the box and package in compliance with local regulations.

Assemble the Shaft

1. Loosen the screws (A,B) on the coupler (7) with the wrench (12).
2. Align the positioning hole (C) on the lower shaft with the screw (B) and slide the two shafts together.

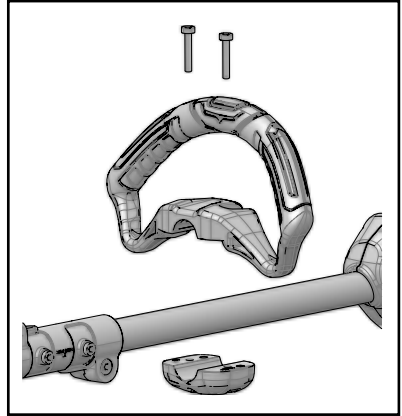


3. Turn the lower shaft until the screw (B) locks into the positioning hole.
4. Tighten the screws (B,A).

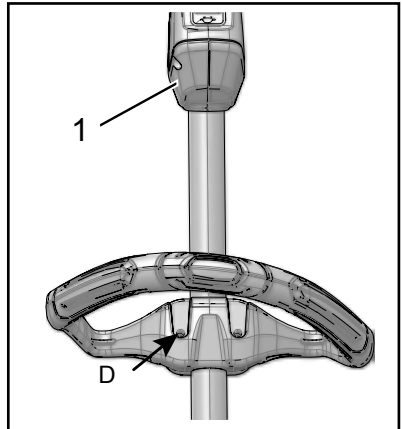


Attach the Support Handle

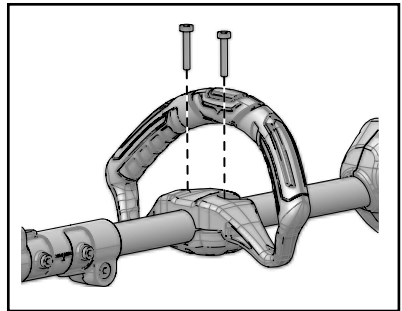
1. Remove the screws from the handle.



2. Attach the support handle and lower clamp on the shaft.
3. Put screw holes (D) on the support handle towards the rear handle (1).
4. Set the support handle in the most comfortable in use position.



5. Tighten the screws.

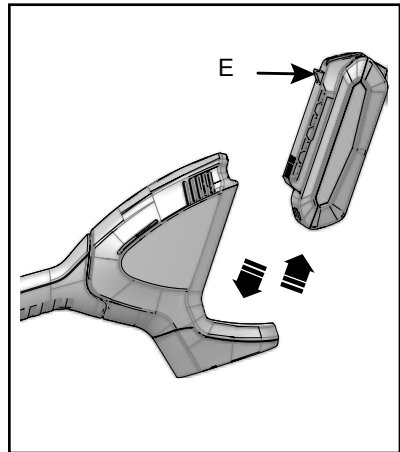


Install the Battery

WARNING

- *If the battery or charger is damaged, replace the battery or the charger.*
- *Stop the machine and wait until the motor stops before you install or remove the battery.*
- *Read and understand the instructions in the battery and charger manual.*

1. Align the lift ribs on the battery with the grooves in the battery compartment.
2. Push the battery into the battery compartment until the battery locks into place.
3. When you hear a click, the battery is installed.



Remove the Battery

1. Push and hold the battery release button (E).
2. Remove the battery from the machine.

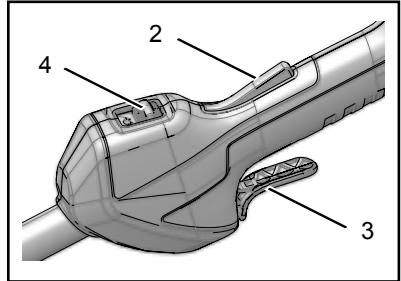
OPERATION

WARNING

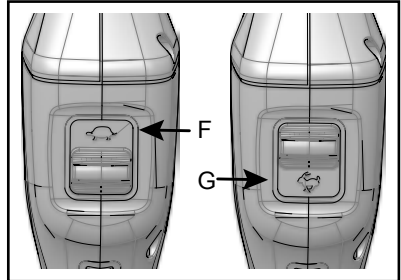
Before you operate the machine, read and understand the safety regulations and the operation instructions.

Start the Machine

1. Push the lock-out lever (2) and pull the trigger switch(3).
2. Push the speed switch (4) to the desired operating speed.



3. Push the speed switch to position (F, tortoise) for low speed or position (G, rabbit) for high speed.



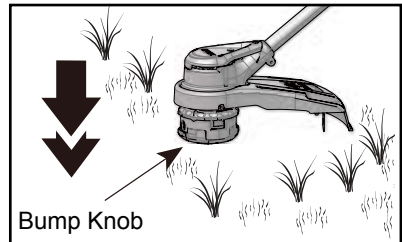
Stop the Machine

1. Release the trigger switch to stop the machine.

Adjust the Length Of the Cutting Line

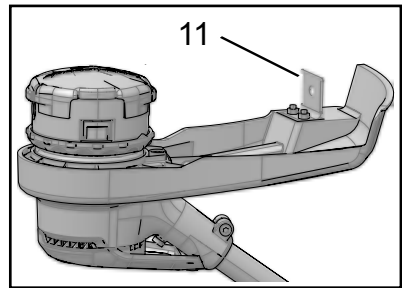
While you operate the machine, the cutting line will wear and shorten. You can adjust the length of the cutting line.

1. Hit the trimmer head against the ground while you operate the machine.
2. Line is automatically released and the cut-off knife cuts the excess length.



Line Cut-off Knife

This trimmer is equipped with a line cut-off knife (11) on the debris shield. The line cut-off knife continuously trims the line to ensure a consistent and efficient cut diameter. Advance line whenever you hear the motor running faster than normal, or when trimming efficiency diminishes. This will maintain best performance and keep line long enough to advance properly.

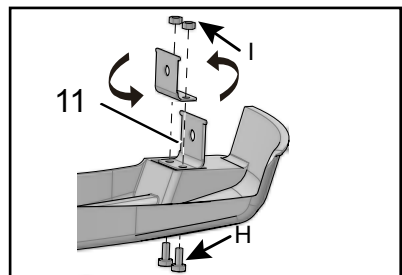


Adjust the Cutting Diameter

NOTICE

The machine is set at a 16 in. (40.6 cm) cutting diameter. You can adjust to a 14 in. (35.6 cm) cutting diameter. Set the cutting diameter to 14 in. (35.6 cm) for greater runtime and 16 in. (40.6 cm) for a larger cutting area.

1. Remove the battery.
2. Remove the knife screws (H) and nuts (I) from the cut-off knife (11).
3. Turn the cut-off knife 180°.
4. Tighten the knife screws and nuts.



Operation Tips

WARNING

Keep clearance between the body and the machine.

WARNING

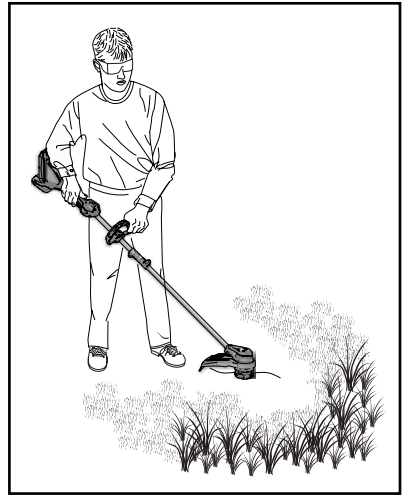
Do not operate the machine without debris shield in place.

Do these tips when you use the machine:

- Keep a firm hold with the two hands on the machine while you operate the machine.
- Cut tall grass from the top down.

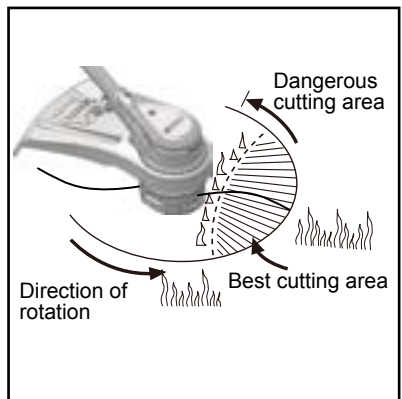
If grass winds around the trimmer head:

- Remove the battery.
- Remove the grass.



Cutting Tips

- Tilt the machine toward the area to be cut. Use the tip of the cutting line to cut grass.
- Move the machine from right to left to prevent thrown debris from hitting the operator.
- Do not cut in the danger area.
- Do not force the trimmer head into uncut grass.
- Wire and picket fences cause cutting line wear and breakage. Stone and brick walls, curbs, and wood can wear the cutting line quickly.



MAINTENANCE

WARNING

Read and understand the safety regulations and the maintenance instructions before you clean, repair or do the maintenance work on the machine.

WARNING

Make sure that all nuts, bolts and screws are tight. Examine regularly that you install the handles tightly.

WARNING

Use only the replacement parts and accessories of the initial manufacturer.

General Information

WARNING

Only your dealer or approved service center can do the maintenance that is not given in this manual.

Before the maintenance operations:

- Stop the machine.
- Remove the battery.
- Cool the motor.
- Store the machine in cool and dry place.
- Use correct clothing, protective gloves and safety glasses.

Clean the Machine

- Clean the machine after use with a moist cloth dipped in neutral detergent.
- Do not use aggressive detergents or solvents to clean the plastic parts or handles.
- Keep the trimmer head free of grass, leaves, or excessive grease.
- Keep the air vents clean and free of debris to avoid overheating and damage to the motor or the battery.
- Do not spray water onto the motor and electrical components.

Nylon Line Replacement

WARNING

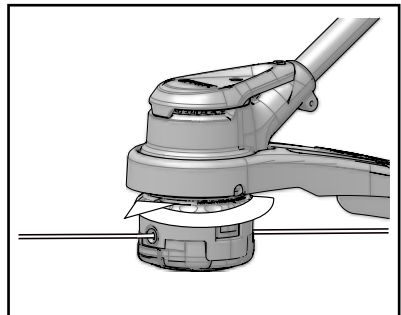
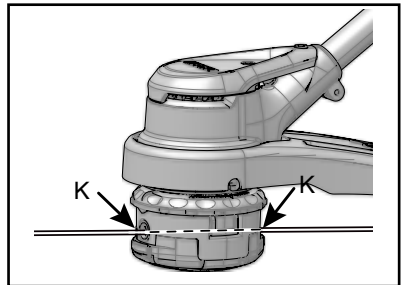
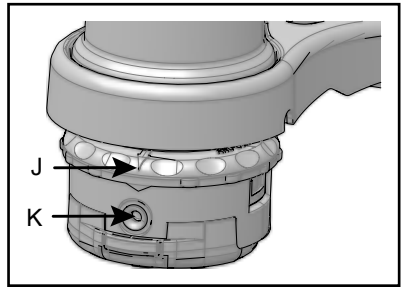
Wear gloves or personal injury may result:

- *Cut-off knife is sharp.*

WARNING

Never use wire or wire-rope that can break off and become a dangerous “projectile”. Serious injury can occur.

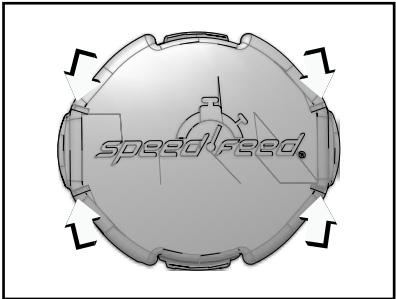
1. Cut one piece of line to recommended length.
2.0 mm (0.080 in.) diameter 6 m (20 ft.).
2.4 mm (0.095 in.) diameter 6 m (20 ft.).
2. Align arrows (J) on top of knob with openings in eyelets (K).
3. Insert one end of trimmer line into an eyelet (K), and push line equal distance through trimmer head.
4. Hold trimmer head while turning knob clockwise to wind line onto spool until about 13 cm (5 in.) of each line remains exposed.



Trimmer head is now fully loaded and ready for operation.

NOTICE

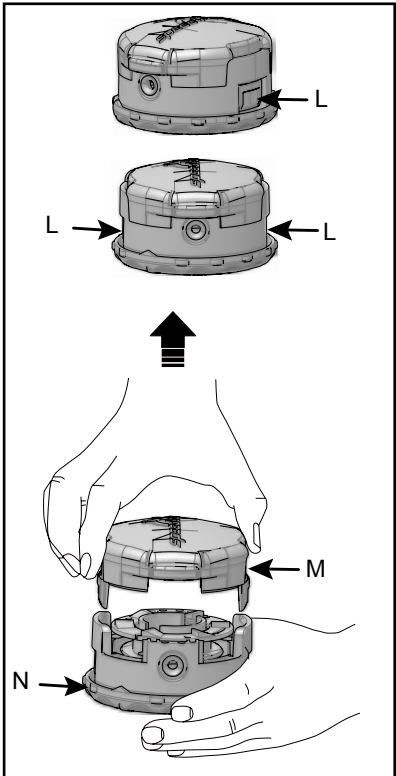
When the wear indicators located at the bottom of the Speed-Feed® head are worn smooth, or if holes appear, replacement of the cover or the entire Speed-Feed® head is required.



Nylon Line Head Disassembly Instructions

Note: For normal use, Speed-Feed® head disassembly is not necessary. However, if circumstances require disassembly, follow these instructions.

1. Press top of locking tabs (L) on both sides of Speed-Feed® head to release cover (M) from eyelet carrier (N).



2. Remove cover from eyelet carrier.

TROUBLE SHOOTING

Problem	Possible Cause	Solution
The machine does not start when you push the trigger switch.	No electrical contact between the machine and the battery.	1. Remove battery. 2. Check contact and install the battery again.
	The battery is depleted.	Charge the battery.
	The lock-out lever and trigger switch are not pushed at the same time.	1. Push the lock-out lever and hold it. 2. Pull the trigger switch to start the machine.
The machine stops when you cut.	The debris shield is not attached to the machine.	Remove the battery and attach the debris shield to the machine.
	Heavy cutting line is used.	Use only with the nylon cutting line of 0.095" diameter line or smaller.
	The grass winds around the motor shaft or the trimmer head.	1. Stop the machine. 2. Remove the battery. 3. Remove the grass from the motor shaft and trimmer head.
	The motor is overloaded.	1. Remove the trimmer head from the grass. 2. The motor will recover to work as soon as the load is removed. 3. When you cut, move the trimmer head in and out of the grass to be cut and remove no more than 8" in pass.
	The battery or machine is too hot.	1. Cool the battery until its function returns to normal. 2. Cool the machine for approximately 10 minutes.
	The battery is disconnected from the tool.	Install the battery again.
	The battery is depleted.	Charge the battery.

Problem	Possible Cause	Solution
The line does not advance.	Lines are welded to themselves.	Lubricate with silicone spray.
	Not enough line on spool.	Install more line.
	Lines are worn too short.	Advance the cutting line.
	Lines are tangled on spool.	1. Remove the lines from the spool. 2. Wind the lines.
The line keeps breaking.	The machine is used incorrectly.	1. Cut with the tip of the line, avoid stones, walls and other hard objects. 2. Advance the cutting line regularly to keep full cutting width.
Grass winds around the trimmer head and motor housing.	Cut tall grass at ground level.	1. Cut tall grass from the top down. 2. Remove no more than 8" in each pass to prevent wrapping.
The line does not cut well.	The cut-off knife becomes dull.	Sharpen the cut-off knife with a file or replace it.
Heavy vibration.	The length of line on one side is longer than the other side.	Make sure that the line on both sides is equal in length. Advance the line.

STORAGE

Storage After Use

When storing the product for long periods of time, ensure that the following preparations for storage are carried out.

Grass Trimmer

Do not store your unit without performing protective storage maintenance which includes the following:

- Turn power to unit off.
- Remove battery from grass trimmer.
- Remove accumulation of dirt and debris from exterior of unit.
- Tighten all screws and nuts.
- Cover battery compartment of grass trimmer.
- Store unit in a dry, dust-free place, out of the reach of children.

Battery

- Remove battery from grass trimmer.
- Store in a dry, dust-free place, out of the reach of children.
- Store in temperatures between 32 °F (0 °C) and 113 °F (45 °C).
- If battery is stored for longer than one year, charge it to 100% capacity.

Charger

- Remove battery from charger.
- Disconnect charger from power supply.
- Store in a dry, dust-free place, out of the reach of children.

SPECIFICATIONS

MODEL	DSRM-2100
Length	1700 mm (66.93 in.)
Width	295 mm (11.61 in.)
Height	230 mm (9.06 in.)
Weight (without battery)	3.4 kg (7.5 lbs.)
Weight (with battery)	4.42 kg (9.75 lbs.)
Operating Rod	25.0 mm aluminum Tube
Rotating Direction	Counterclockwise; viewed from top
Cutter Head	Speed-Feed® Nylon line head
Handle	Front - loop, Rear handle
Type	Cordless, battery powered
Motor	56V
No load speed	6000/5000 ±10% RPM
Cutting line diameter	2.4 mm (0.095 in.)
Cutting path diameter	406 mm (16 in.) / 356 mm (14 in.)
Feed Type	Bump Feed
Battery model	ECHO eFORCE™ 56V battery series batteries
Type	Li-Ion
Voltage	56 (rated 50.4)
Charger type	CCCV
Charger input voltage	AC 120
Charger model	ECHO eFORCE™ 56V battery series charger
Charger time	See Battery Operator's Manual

PRODUCT REGISTRATION

Thank you for choosing ECHO Power Equipment

Please go to <http://www.echo-usa.com/Warranty/Register-Your-ECHO> to register your new product online. It's FAST and EASY! NOTE: your information will never be sold or misused by ECHO Incorporated.

Registering your purchase enables us to contact you in the unlikely event of a service update or product recall, and verifies your ownership for warranty consideration.

If you do not have access to the Internet, you can complete the form below and mail to:

ECHO Incorporated, Product Registration, PO Box 1139, Lake Zurich, IL 60047.



PRODUCT REGISTRATION CARD : TARJETA DE REGISTRO : CARTE D'ENREGISTREMENT DU PRODUIT

ONLINE OPTION: Register online and save a stamp! You will be alerted of product updates and/or be sent new ECHO product information and special offers. Simply go to: www.echo-usa.com

OPCIÓN POR INTERNET: Regístrese en la página web y ahorre una estampilla. Le alertarán sobre actualizaciones del producto y/o se le enviara información sobre los nuevos productos ECHO y las ofertas especiales. Simplemente visite: www.echo-usa.com

OPTION EN LIGNE: Enregistrez en ligne et épargner un timbre! Vous serez informé sur les nouveaux produits ECHO et les mises à jour de produit ainsi que les offres spéciales. Simplement visitez le: www.echo-usa.com

Please Print : Por Favor Escribe Con Letra De Molde : En Lettre Carré S.V.P. Confidential: Information provided will not be shared or sold

Purchaser's Name : *Nombre del Comprador : Nom de l'acheteur*

Address : *Dirección : Adresse*

City : *Ciudad : Ville* **State :** *Estado : Province* **Zip Code :** *Código Postal : Code Postal*

E-Mail Address : *Dirección De Correo Electrónico : Courriel Électronique*

Phone Number : *Número De Teléfono : Téléphone* **Date of Purchase :** *Fecha de la Compra : Date de l'achat*

Where Purchased : *Nombre del Almacén donde fue Comprado : Lieu d'achat*

Model Number : *Número del Modelo : No. de modèle* **Serial Number :** *Número de Serie : No. de série*

Registering your purchase enables us to contact you in the unlikely event of a service update or product recall and verifies your ownership in the event of loss. El registrar su compra nos permite estar en contacto con usted en caso de cualquier evento como el aviso de tiempo de servicio o la revocación del producto y verificación de propiedad en caso de robo o pérdida. L'enregistrement de votre achat nous permettra de vous contacter dans le cas improbable de modifications des instructions d'utilisation ou de rappel du produit et vérifier que vous êtes le propriétaire en cas de vol ou de perte.

Primary use of tool: Professional Homeowner Rental Equip.
Uso primario de la herramienta: Profesional Dueño de casa Alquiler
Usage principal: Professional Residential Location
Do you wish to receive periodic ECHO product information and special offers by e-mail? Yes No
¿Desea usted recibir información periódica y ofertas especiales por correo electrónico sobre el producto ECHO? Yes No
Souhaitez-vous recevoir périodiquement de l'information sur les produits ECHO et les offres spéciales par courrier électronique ? Oui Non
Did you visit the ECHO website before purchasing your product?
 Yes No
Visitéz usted la página web ECHO antes de comprar su producto?
 Si No
Avez-vous visité le site d'ECHO avant de procurer votre produit?
 Oui Non

What factor(s) most influenced your purchase?
 Performance Price Dealer
 Reliability Prior Experience Quality
 Friend/Family Brand Warranty
¿Qué factor(es) influenció más en su compra?
 Funcionamiento Precio Distribuidor
 Confiabilidad Experiencia Anterior Calidad
 Amigo/Familia Marca Garantía
Quel facteur (facteurs) vous a influencé le plus?
 Performance Prix Marchand
 Fiabilité Expérience Qualité
 Ami/Famille Marque Garantie

ECHO INC., 400 Oakwood Rd., Lake Zurich, IL 60047
1.800.432.ECHO WWW.ECHO-USA.COM

X7572270206 02-2012



WARRANTY

Limited Warranty Statement for ECHO 56 Volt Handheld Products and Walk Behind Mowers sold in USA and Canada

ECHO Incorporated warrants to the original retail purchaser that this ECHO brand 56 Volt outdoor product is free from defects in material and workmanship and agrees to repair or replace, at ECHO Incorporated's discretion, any defective product free of charge within these time periods from the date of purchase:

- If the product is for homeowner use:
 - Units and Bare Tool – 5 Years
 - Battery or charger – 2 years
- If the product is for commercial use:
 - Units and Bare Tool – 2 Years
 - Battery or charger – 2 years
- If the product is for rental use: 90 days for all units, batteries, and chargers.
- Cutting attachments such as, but not limited to, bars, chains, sprockets, blades, tines, belts, PowerBroom™ and nylon trimmer heads for homeowner or non-income producing use will be covered for failures due to defects in material or workmanship for a period of 60 days from original product purchase date and 30 days for commercial / rental use. Any misuse from contact with concrete, rocks, or other structures is not covered by this warranty.

This warranty extends to the original retail purchaser only and commences on the date of the original retail purchase.

Any part of this product found in the reasonable judgment of ECHO Incorporated, to be defective in material or workmanship will be repaired or replaced without charge for parts and labor by an authorized ECHO dealer. Units, repair parts and accessories replaced under this warranty are warranted only for the balance of the original warranty period.

The product, including any defective part, must be returned to an authorized ECHO dealer within the warranty period. The expense of delivering the product to the service center for warranty work and the expense of returning it back to the owner after repair or replacement will be paid by the owner. ECHO Incorporated's, responsibility in respect to claims is limited to making the required repairs or replacements and no claim of breach of warranty shall be cause for cancellation or rescission of the contract of sale of any ECHO brand

56 Volt outdoor product. Proof of purchase will be required by the dealer to substantiate any warranty claim. All warranty work must be performed by an authorized ECHO dealer.

This warranty does not cover any units, battery or charger that has been subject to misuse, neglect, negligence, or accident, or that has been operated in any way contrary to the operating instructions as specified in the Operator's Manual. This warranty does not cover normal deterioration due to the use or exposure, and any repairs made necessary by normal wear, improper maintenance, improper lubrication, improper storage, dirt, abrasives, impact, moisture, water, rain, snow, rust, corrosion, varnish, or other similar conditions.

This warranty does not cover damage to chargers or batteries by improper charging voltage and batteries that have been exposed to temperatures beyond those specified in the Operator's Manual, batteries that have not been properly charged or batteries that have reached their useful life.

This warranty does not apply to any damage to the product that is the result of improper maintenance or to any product that has been altered or modified. The warranty does not extend to repairs made necessary by normal wear or by the use of parts or accessories which are either incompatible with the ECHO brand 56 Volt outdoor product or adversely affect its operation, performance, or durability. In addition, this warranty does not cover wear to normal items such as, but not limited to:

Wear items – Bump Knobs, Outer Spools, Cutting Lines, Inner Reels, Felt Washers, Hitch Pins, Mulching Blades, Blower Fans, Blower and Vacuum Tubes, Vacuum Bag and Straps, Guide Bars, Saw Chains, Grass Catch Bag, Hedge Trimmer Blades, and Wheels

ECHO Incorporated, reserves the right to change or improve the design of this product without assuming any obligation to modify any product previously manufactured.

All implied warranties are limited in duration to the stated warranty period. Accordingly, any such implied warranties including merchantability, fitness for a particular purpose, or otherwise, are disclaimed in their entirety after the expiration of the appropriate five-year, two-year, one-year, 90-day, 60-day, or 30-day warranty period. ECHO Incorporated's obligation under this warranty is strictly and exclusively limited to the repair or replacement of defective parts. ECHO Incorporated, does not assume or authorize anyone to assume for them any other obligation. Some states do not allow limitations on how long an implied warranty lasts, so the above limitation may not apply to you. ECHO Incorporated, assumes no responsibility for incidental, consequential, or other damages including, but not limited to, expense of returning the product to an

authorized dealer for ECHO brand 56 Volt outdoor products and expense of delivering it back to the owner, mechanic's travel time, telephone charges, rental of a like product during the time warranty service is being performed, travel, loss or damage to personal property, loss of revenue, loss of use of the product, loss of time, or inconvenience. Some states do not allow the exclusion or limitation of incidental or consequential damages, so the above limitation or exclusion may not apply to you.

This warranty gives you specific legal rights, and you may also have other rights which vary from state to state. This warranty applies to all ECHO brand 56 Volt outdoor products manufactured by or for ECHO Incorporated, and sold in the United States and Canada.

To locate your nearest authorized ECHO dealer, visit www.ECHO-usa.com or dial 1-800-432-ECHO (3246).

NOTES



400SRM100001 - 400SRM999999

418SRM100001 - 418SRM999999



ECHO INCORPORATED

400 Oakwood Road

Lake Zurich, IL 60047

www.echo-usa.com



Manuel D'utilisation DSRM-2100 Débroussailleuse

AVERTISSEMENT

Ce produit contient un produit chimique connu dans l'état de Californie comme étant une cause de cancer, de malformations congénitales ou d'autres problèmes de reproduction. Cancer et troubles de reproduction www.P65Warnings.ca.gov

AVERTISSEMENT



Lisez et comprenez toute la documentation fournie avant utilisation.

Le non-respect de cette consigne peut entraîner des blessures corporelles.

Remarque: Ce produit est conforme à CAN ICES-003(B) / NMB-003(B)

99922238008

© 01/2023 ECHO Incorporé

TABLE DES MATIÈRES

Introduction.....	3
Renseignements sur l'entretien.....	3
Numéro de série / pièces.....	3
Service.....	4
Soutien aux produits de consommation ECHO.....	4
Enregistrement du produit.....	4
Documentation supplémentaire.....	4
Liste du contenu d'emballage.....	4
Sécurité.....	5
Symboles de sécurité du manuel et informations importantes.....	5
Symboles internationaux.....	6
Avertissements de sécurité généraux concernant les outils électriques.....	7
Déclaration de la FCC.....	14
Élimination de la batterie dans le respect de l'environnement.....	15
Description.....	17
Assembly.....	19
Déballer la machine.....	19
Assembler l'arbre.....	20
Attacher la poignée de support.....	21
Installer l'application.....	22
Retirer le chargeur.....	22
Operation.....	23
Démarrer la machine.....	23
Arrêter la machine.....	23
Régler la longueur de la ligne de coupe.....	24
Lame de coupe de la ligne.....	24
Régler la profondeur de coupe.....	24
Conseils d'utilisation.....	25
Instructions de coupe.....	26
Maintenance.....	27
Renseignements généraux.....	27
Nettoyage de la machine.....	28
Remplacement de la ligne en nylon.....	28
Instructions de démontage de la tête de fil en nylon.....	30
Troubleshooting.....	31
Storage.....	33
Stockage après utilisation.....	33
Specifications.....	34
Enregistrement du produit.....	35
Warranty.....	37

INTRODUCTION

Les spécifications, les descriptions et les illustrations de cette documentation sont aussi précises que connues au moment de la publication, mais sont susceptibles d'être modifiées sans préavis. Les illustrations peuvent inclure des équipements et des accessoires en option, et peuvent ne pas inclure tous les équipements standard.



Lisez et comprenez toute la documentation fournie. La documentation contient des spécifications et des renseignements relatifs à la sécurité, au fonctionnement, à l'entretien, au stockage et à l'assemblage spécifiques à ce produit. Numérisez le code QR pour obtenir plus de renseignements.



Pour obtenir de la documentation supplémentaire, y compris les manuels de sécurité le cas échéant, ou des questions concernant les termes utilisés dans ce manuel, visitez l'adresse :

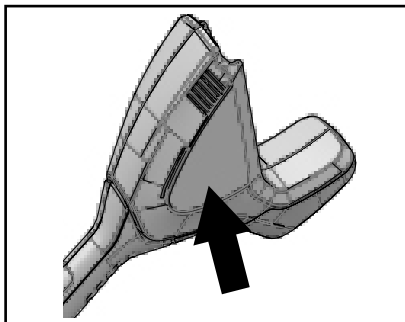
<https://www.echo-usa.com/manuals>



RENSEIGNEMENTS SUR L'ENTRETIEN

Pièces / Numéro de série

Les pièces et les assemblages d'origine ECHO pour vos produits ECHO sont disponibles uniquement auprès d'un revendeur ECHO agréé. Lorsque vous avez besoin d'acheter des pièces, ayez toujours le numéro de modèle et le numéro de série de l'appareil avec vous. À titre de référence future, écrivez-les dans l'espace prévu ci-dessous.



N° de modèle _____

Numéro de série. _____

Service

L'entretien de ce produit pendant la période de garantie doit être effectué par un revendeur agréé ECHO. Pour obtenir le nom et l'adresse du revendeur agréé ECHO le plus proche de chez vous, demandez à votre revendeur ou appelez : 1-800-432-ECHO (3246). Des renseignements sur les revendeurs sont également disponibles sur notre site Web à l'adresse www.echo-usa.com. Lorsque vous présentez votre appareil pour un entretien ou une réparation sous garantie, une preuve d'achat est requise.

Soutien aux produits de consommation ECHO

Si vous avez besoin d'aide ou des questions concernant l'application, le fonctionnement ou l'entretien de ce produit, appelez le service de soutien des produits aux consommateurs d'ECHO au 1-800-432-ECHO (3246), de 8 h 00 à 17h00 (norme centrale horaire), du lundi au vendredi. Avant d'appeler, veuillez connaître le modèle et le numéro de série de votre appareil.

Enregistrement du produit

Enregistrez votre équipement ECHO en ligne à l'adresse www.echo-usa.com ou en remplissant la fiche d'enregistrement du produit incluse dans ce manuel. L'enregistrement de votre produit confirme la couverture de la garantie et fournit un lien direct vers ECHO si nous jugeons nécessaire de vous contacter.

Documentation supplémentaire

En plus de trouver des renseignements en ligne, des renseignements sont disponibles auprès de votre revendeur agréé ECHO ou en communiquant avec ECHO Incorporated, 400 Oakwood Road, Lake Zurich, IL 60047, 1-800-432-ECHO (3246).

LISTE DU CONTENU DE L'EMBALLAGE

Le produit ECHO que vous avez acheté a été pré-assemblé en usine pour votre commodité. En raison des restrictions d'emballage, certains assemblages peuvent être nécessaires.

Après avoir ouvert le carton, vérifiez qu'il n'est pas endommagé. Informez immédiatement votre revendeur ou revendeur ECHO des pièces endommagées ou manquantes. Utilisez la liste de contenu pour vérifier les pièces manquantes.

- 1 Débroussailleuse
- 1 Ensemble de poignée de support
- 1 Clé
- 1 Manuel d'utilisation

SÉCURITÉ

Symboles de sécurité du manuel et renseignements importants

Tout au long de ce manuel et sur le produit lui-même, vous trouverez des alertes de sécurité et des messages d'information utiles précédés de symboles ou de mots clés. Ce qui suit est une explication de ces symboles et mots clés et de ce qu'ils signifient pour vous.

DANGER

Le symbole d'alerte de sécurité accompagné du mot « DANGER » attire l'attention sur un acte ou une situation qui ENTRAÎNERA des blessures graves ou la mort s'il n'est pas évité.

AVERTISSEMENT

Le symbole d'alerte de sécurité accompagné du mot « AVERTISSEMENT » attire l'attention sur un geste ou une situation qui PEUT entraîner des blessures corporelles graves ou la mort s'il n'est pas évité.

ATTENTION

Le symbole d'alerte de sécurité accompagné du mot « ATTENTION » attire l'attention sur un acte ou une situation qui pourrait entraîner des blessures mineures ou modérées s'il n'est pas évité.

AVIS

Le message ci-joint fournit les renseignements nécessaires à la protection de l'appareil.

Remarque : Ce message ci-joint fournit des conseils pour l'utilisation, l'entretien et la maintenance de l'appareil.








SYMBOLE CERCLE ET BARRE

Ce symbole signifie que l'action spécifique indiquée est interdite. Le non-respect de ces interdictions peut entraîner des blessures graves ou mortelles.

Symboles internationaux

Certains des symboles suivants peuvent être utilisés sur ce produit. Veuillez les étudier et apprendre leur signification. Une bonne interprétation de ces symboles vous permettra de mieux utiliser le produit et de manière plus sécuritaire.

Symbole	Description	Symbole	Description
	Courant direct		Alerte de sécurité
	Lisez et suivez toutes les précautions de sécurité dans le manuel de l'opérateur. Le non-respect des instructions peut entraîner des blessures graves.		Portez des lunettes de protection.
	Portez des chaussures de sécurité.		Portez des gants de protection.
	Portez un casque protecteur.		N'exposez pas à la pluie ou à dans des endroits humides.
	Les objets projetés peuvent ricocher et causer des blessures corporelles ou des dommages matériels.		Tenez tous les curieux à une distance d'au moins 15 m (50 pi).
	N'utilisez pas de lames - uniquement des têtes de ligne.		

Remarque : Tous les symboles n'apparaîtront pas sur votre appareil.

Avertissements de sécurité généraux sur les outils électriques

LISEZ TOUTES LES INSTRUCTIONS AVANT L'UTILISATION (CET OUTIL ÉLECTRIQUE)

AVERTISSEMENT

Lisez tous les avertissements de sécurité, toutes les instructions, illustrations et toutes spécifications fournis avec cet outil électrique. *Le non-respect de ces avertissements et de ces instructions peut causer une décharge électrique, un incendie ou des blessures graves.*

Conservez tous les avertissements et instructions pour référence ultérieure.

Le terme « outil électrique » dans les avertissements fait référence à votre outil électrique fonctionnant sur batterie (sans fil).

Sécurité de la zone de travail

- **Gardez la zone de travail propre et bien éclairée.** *Les endroits encombrés ou sombres favorisent les accidents.*
- **N'utilisez pas les outils électriques dans des environnements explosifs, par exemple en présence de liquides, gaz ou poussières inflammables.** *La mise en marche des outils électriques crée des étincelles qui peuvent enflammer la poussière ou les vapeurs.*
- **Tenez les enfants et les curieux à l'écart lorsque vous utilisez un outil électrique.** *Les distractions peuvent vous faire perdre le contrôle.*

Sécurité électrique

- **Les prises de l'outil électrique doivent être compatibles avec la prise de courant. Ne modifiez jamais la prise d'aucune façon. N'utilisez pas d'adaptateur de prise avec des outils à prise de terre.** *Des prises non modifiées et leurs prises de courant respectives réduisent les risques de choc électrique.*
- **Évitez que le corps n'entre en contact avec des surfaces mises à la terre comme les tuyaux, les radiateurs, les cuisinières et les réfrigérateurs.** *Il y a un risque accru de choc électrique si votre corps est en contact avec la terre.*
- **N'exposez pas les outils électriques à des conditions humides ou mouillées.** *L'eau qui pénètre dans un outil électrique augmente le risque de choc électrique.*

- **N'abusez pas du cordon. N'utilisez jamais le câble pour porter, tirer ou débrancher l'outil. Éloignez le cordon de la chaleur, de l'huile, des bords tranchants ou des pièces mobiles. Les cordons endommagés augmentent le risque d'un choc électrique.**
- **Lorsque vous utilisez un outil électrique en extérieur, utilisez une rallonge de câble adaptée à l'usage en extérieur. Utiliser un câble adapté à un usage en extérieur réduit le risque de choc électrique.**
- **Si vous ne pouvez éviter d'utiliser l'outil dans un environnement humide, utilisez une alimentation protégée à courant différentiel. Le respect de cette règle réduira le risque de chocs électriques.**

Sécurité personnelle

- **Restez vigilant, soyez attentif à ce que vous faites et faites preuve de bon sens lorsque vous utilisez un outil électrique. N'utilisez pas l'appareil lorsque vous êtes fatigué, sous l'emprise de l'alcool ou de drogues ou après avoir pris des médicaments. Un moment d'inattention lors de l'utilisation d'un outil électrique peut provoquer des blessures corporelles graves.**
- **Utilisez de l'équipement de protection individuelle. Portez toujours des lunettes de protection. L'utilisation d'équipement de protection adapté aux conditions de travail (masque anti-poussières, chaussures de sécurité antidérapantes, casque et protections auditives etc.) permet de réduire les risques de blessures corporelles.**
- **Évitez tout démarrage accidentel. Assurez-vous que l'interrupteur est en position d'arrêt avant de brancher la source d'alimentation et/ou la batterie et lorsque vous ramassez ou transportez l'outil. Transporter un outil électrique avec un doigt sur l'interrupteur ou le brancher sur une alimentation électrique alors que son interrupteur est en position marche favorise les accidents.**
- **Retirez les clefs de réglage et de serrage avant de mettre l'outil en marche. Une clef de réglage ou de serrage restée sur une pièce en rotation de l'outil électrique peut entraîner des blessures corporelles.**
- **Ne vous penchez pas trop en avant. Gardez un bon équilibre en tout temps. Ceci permet un meilleur contrôle de l'outil électrique dans des situations inattendues.**
- **Habilitez-vous correctement. Ne portez pas de vêtements amples ou de bijoux. Veillez à ne pas approcher vos cheveux, vos vêtements et vos gants des pièces en mouvement. Les vêtements amples, les bijoux et les cheveux longs peuvent se prendre dans les pièces en mouvement.**
- **Si un appareil est conçu pour être utilisé avec des dispositifs d'extraction et de récupération des poussières, veillez à ce que ces dispositifs soient bien raccordés et correctement utilisés. L'utilisation de dispositifs de récupération des poussières permet de réduire les risques liés aux poussières.**
- **Ne laissez pas l'habitude des fréquentes utilisations vous faire**

oublier et ignorer les principes de sécurité. Une action négligente peut provoquer de graves blessures en une fraction de seconde.

Utilisation et entretien des outils électriques

- **Ne forcez pas l'outil électrique. Utilisez l'outil électrique adapté à votre application. L'outil électrique approprié fera mieux le travail et sera plus sécuritaire au rythme pour lequel il a été conçu.**
- **N'utilisez pas l'outil électrique si l'interrupteur ne le met pas en marche ou à l'arrêt. Tout outil électrique qui ne peut pas être contrôlé avec l'interrupteur est dangereux et doit être réparé.**
- **Débranchez la fiche de la source d'alimentation et/ou retirez la batterie de l'outil électrique avant d'effectuer des réglages, de changer des accessoires ou de ranger des outils électriques. De telles mesures de sécurité préventives réduisent le risque d'un démarrage accidentel de l'outil électrique.**
- **Rangez les outils électriques inutilisés hors de portée des enfants et ne laissez pas des personnes qui ne se sont pas familiarisées avec l'outil électrique ou ces instructions l'utiliser. Les outils électriques sont dangereux entre les mains des utilisateurs non formés.**
- **Entretenez les outils électriques et les accessoires. Vérifier qu'aucune pièce mobile n'est mal alignée, grippée ou brisée et soyez attentif à toute autre condition qui pourrait affecter le fonctionnement de l'outil électrique. S'il est endommagé, faites réparer l'outil électrique avant de l'utiliser. De nombreux accidents sont causés par des outils électriques mal entretenus.**
- **Garder les outils de coupe propres et tranchants. Les outils de coupe bien entretenus avec des bords tranchants sont moins susceptibles de se coincer et sont plus faciles à contrôler.**
- **Utilisez l'outil électrique et les accessoires conformément à ces instructions, en tenant compte des conditions de travail et du travail à effectuer. L'utilisation de l'outil motorisé pour des opérations différentes de celles prévues pourrait entraîner une situation dangereuse.**
- **Veillez à ce que les poignées restent propres, sèches et exemptes d'huile et de graisse. Les poignées et surfaces de prise glissantes ne permettent pas de manipuler et de contrôler l'outil dans des situations inattendues.**

Utilisation et entretien des outils à batterie

- **Rechargez uniquement avec les chargeurs de batterie ECHO eFORCE™ 56V. Un chargeur adapté à un type de batterie peut créer un risque d'incendie lorsqu'il est utilisé avec une autre batterie.**
- **Utiliser uniquement avec la série de batteries ECHO eFORCE™ 56V. L'utilisation de toute autre batterie peut créer un risque de blessure et d'incendie.**
- **Lorsque la batterie n'est pas utilisée, éloignez-la d'autres objets**

métalliques comme des trombones, des pièces de monnaie, des clés, des clous, des vis ou d'autres petits objets métalliques qui peuvent établir une connexion d'un terminal à un autre. *Le court-circuitage des bornes de la batterie peut provoquer des brûlures ou un incendie.*

- **Ne tentez pas d'ouvrir ni de détruire la batterie.** *Les électrolytes contenus dans la batterie sont corrosifs et peuvent causer des dommages aux yeux ou à la peau s'ils sont rejetés. L'électrolyte peut être toxique lorsqu'elle est avalée.*
- **Dans des conditions abusives, du liquide peut être éjecté de la batterie; évitez tout contact. En cas de contact accidentel, rincez avec de l'eau. En cas de contact avec les yeux, consultez également un médecin.** *Le liquide s'échappant des batteries peut causer des irritations ou des brûlures.*
- **Faites attention lorsque vous manipulez la batterie pour éviter de la court-circuiter avec des matériaux conducteurs comme des bagues, des bracelets, des clés, etc.** *La batterie ou le conducteur peut surchauffer et provoquer des brûlures en cas de contact avec lesdits matériaux.*
- **N'utilisez pas une batterie ou un outil endommagé ou modifié.** *Les batteries endommagées ou modifiées peuvent présenter un fonctionnement imprévisible et provoquer un incendie, une explosion ou un risque de blessure.*
- **N'exposez pas une batterie ou un outil au feu ou à une température excessive.** *L'exposition au feu ou à des températures supérieures à 130 °C (266 °F) peut provoquer une explosion.*
- **Suivez toutes les instructions de charge et ne chargez pas la batterie ou l'outil en dehors de la plage de température spécifiée dans les instructions.** *Un rechargement incorrect ou à des températures en dehors de la plage spécifiée peut endommager la batterie et augmenter le risque d'incendie.*

Sécurité des enfants

Des accidents tragiques peuvent se produire si l'opérateur n'est pas au courant de la présence des enfants.

- Éloignez les enfants de la zone de travail et placez-les sous la surveillance d'un adulte responsable.
- Ne laissez pas les enfants utiliser cette machine.
- Restez vigilant et éteignez la machine si un enfant ou une autre personne entre dans la zone de travail.
- Soyez extrêmement prudent lorsque vous vous approchez d'angles morts, de portes, d'arbustes, d'arbres ou d'autres objets qui peuvent obscurcir la vue d'un enfant qui pourrait se heurter à la trajectoire de la machine.

Service

- **Faites entretenir votre outil électrique par un revendeur ECHO agréé en utilisant uniquement des pièces de rechange identiques.** *Cela garantira le maintien de la sécurité de l'outil électrique.*
- **Ne réparez jamais les batteries endommagées.** *L'entretien des batteries ne doit être effectué que par le fabricant ou des prestataires de services agréés.*

Avertissements de sécurité concernant la débroussailleuse

- Utilisez uniquement des pièces de rechange et des accessoires identiques du fabricant. L'utilisation d'autres pièces peut créer un danger ou endommager le produit.
- Portez toujours des lunettes de sécurité dont les écrans latéraux sont conformes à la norme ANSI Z87.1. Les lunettes ordinaires sont dotées de verres résistants aux impacts seulement. Ce ne sont PAS des lunettes de sécurité. Le respect de cette règle réduira le risque de blessures aux yeux. Utilisez un masque facial si vous travaillez dans des endroits poussiéreux.
- Évitez les endroits dangereux — N'exposez pas les outils électriques à des conditions humides ou mouillées. L'eau qui pénètre dans un outil électrique augmente le risque de choc électrique.
- N'utilisez pas sous la pluie.
- Tenez tous les curieux, les enfants et les animaux domestiques à une distance d'au moins 15 m./50 ft.
- Habillez-vous correctement – Ne portez pas de vêtements amples ou de bijoux. Ils pourraient se coincer dans les pièces en mouvement. Le port de gants en caoutchouc et de chaussures adaptées est recommandé pour travailler à l'extérieur. Portez un couvre-chef protecteur pour contenir les cheveux longs.
- Utilisez la bonne machine. N'utilisez cette machine que pour les travaux auxquels elle est destinée.
- Évitez tout démarrage accidentel – Ne transportez pas l'appareil branché avec un doigt sur l'interrupteur. Assurez-vous que l'interrupteur est éteint lorsque vous branchez la batterie.
- Ne forcez pas la machine - Il fera mieux le travail et avec moins de risque de blessure à la vitesse pour laquelle il a été conçu.
- Ne vous penchez pas trop - Gardez un bon équilibre en tout temps.
- Soyez vigilant et faites attention à ce que vous faites. Faites appel à votre bon sens. N'utilisez pas cet appareil si vous êtes fatigué, malade ou sous l'influence de l'alcool, de drogues ou de médicaments.
- Rangez toujours les outils électriques inutilisés à l'intérieur - lorsqu'ils ne sont pas utilisés, entreposez-les à l'intérieur dans un endroit sec, hors de portée des enfants.
- Effectuez l'entretien de l'appareil avec précaution - Remplacez la tête de coupe si elle est fissurée, ébréchée ou endommagée de quelque façon que ce soit. Assurez-vous que la tête de coupe est correctement installée

et solidement fixée. Gardez le bord des dents bien aiguisé et propre pour une meilleure performance et pour réduire les risques de blessures. Suivez les instructions pour lubrifier et changer les accessoires. Inspectez périodiquement le cordon. S'il est endommagé, faites-le réparer par un réparateur agréé. Inspectez périodiquement les rallonges électriques et remplacez-les si elles sont endommagées. Veillez à ce que les poignées restent propres, sèches et exemptes d'huile et de graisse. Le non-respect de cette consigne peut entraîner des blessures corporelles graves.

- Vérifier les pièces endommagées avant d'utiliser la machine. Il convient de vérifier soigneusement la garde protectrice ou toute autre pièce endommagée pour s'assurer qu'il fonctionnera correctement comme prévu. Vérifiez l'alignement des pièces mobiles, la fixation des pièces mobiles, la cassure des pièces, les fixations endommagées et toute autre condition qui pourrait affecter leur fonctionnement. Une garde protectrice ou toute autre pièce endommagée doit être correctement réparée ou remplacée par un centre de service agréé, sauf en cas d'indication contraire dans ce manuel.
- Retirez ou débranchez la batterie avant d'entretenir, de nettoyer ou d'enlever des matériaux de la machine de jardinage.
- Ne modifiez pas ou n'essayez pas de réparer la machine ou la batterie (selon le cas) sauf en conformité avec les instructions d'utilisation et d'entretien indiquées dans ce manuel. Utiliser les machines uniquement avec la série de batteries ECHO eFORCE™ 56V. L'utilisation de toute autre batterie peut créer un risque de blessure et d'incendie.
- Rechargez uniquement avec les chargeurs de batterie ECHO eFORCE™ 56V. Un chargeur adapté à un type de batterie peut créer un risque d'incendie lorsqu'il est utilisé avec une autre batterie.
- Lorsque la batterie n'est pas utilisée, éloignez-la d'autres objets métalliques comme des trombones, des pièces de monnaie, des clés, des clous, des vis ou d'autres petits objets métalliques qui peuvent établir une connexion d'un terminal à un autre. Le court-circuitage des bornes de la batterie peut provoquer un incendie.
- Dans des conditions abusives, du liquide peut être éjecté de la batterie; évitez tout contact. En cas de contact accidentel, rincez avec de l'eau. En cas de contact avec les yeux, consultez également un médecin. Le liquide s'échappant des batteries peut causer des irritations ou des brûlures.
- N'utilisez pas une batterie, ou une machine endommagée ou modifiée. Les batteries endommagées ou modifiées peuvent présenter un fonctionnement imprévisible et provoquer un incendie, une explosion ou un risque de blessure.
- N'exposez pas une batterie ou une machine au feu ou à une température excessive. L'exposition au feu ou une température supérieure à 130 °C (265 °F) peut provoquer une explosion.
- Ne jetez pas les batteries au feu. Les cellules peuvent exploser. Consultez les règlements locaux pour connaître les instructions d'élimination spéciales.

- Ne tentez pas d'ouvrir ni d'abîmer la batterie. Les électrolytes rejetés sont corrosifs et peuvent causer des dommages aux yeux ou à la peau. L'électrolyte peut être toxique lorsqu'elle est avalée.
- Manipulez les batteries avec précaution afin de ne pas court-circuiter la batterie avec des matériaux conducteurs tels que les bagues, les bracelets et les clés. La batterie ou le conducteur peut surchauffer et provoquer des brûlures.
- Suivez toutes les instructions de recharge, et ne rechargez pas la batterie ou la machine en dehors de la plage de température spécifiée dans ces instructions. Un rechargement incorrect ou à des températures en dehors de la plage spécifiée peut endommager la batterie et augmenter le risque d'incendie.
- Faites effectuer l'entretien par un réparateur qualifié en n'utilisant que des pièces de rechange identiques. Cela garantira le maintien de la sécurité du produit.
- Gardez les gardes protectrices en place et en bon état de fonctionnement.
- Gardez les mains et les pieds éloignés de la zone de coupe.
- Retirez la batterie de la machine avant d'effectuer des réglages, de changer des accessoires ou de la ranger. De telles mesures de sécurité préventives réduisent le risque d'un démarrage accidentel de la machine.
- Utilisez uniquement avec la ligne de coupe en nylon de 2,4 mm (0,095 po) de diamètre et plus petit. N'utilisez pas de lignes plus lourdes que celles recommandées par le fabricant et d'autres types de lignes - par ex., du fil métallique, de la corde, etc.

CONSERVEZ CES INSTRUCTIONS

Déclaration de la FCC

Cet appareil est conforme aux normes Partie 15 du FCC. Le fonctionnement dépend des deux conditions suivantes :

- Cet appareil ne devrait pas causer d'interférence.
- Cet appareil doit accepter toute interférence reçue, y compris une interférence pouvant provoquer une opération non souhaitée.

ATTENTION

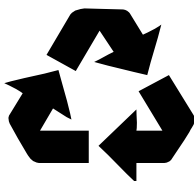
Tout changement ou modification non expressément approuvé par la partie responsable de la conformité pourrait annuler le droit de l'utilisateur d'utiliser l'équipement.

AVIS

Cet appareil a été testé et jugé conforme aux limites des appareils digitaux de classe B, en vertu des normes de la Partie 15 du FCC. Ces limites sont conçues pour apporter une protection contre les brouillages préjudiciables dans un quartier résidentiel. Cet appareil génère, utilise et peut émettre de l'énergie radioélectrique et, s'il n'est pas installé et utilisé conformément aux instructions, il peut provoquer des interférences nuisibles à la réception de la radio ou de la télévision. La réception peut être déterminée en éteignant et en rallumant l'appareil. Nous encourageons l'utilisateur à essayer de corriger l'interférence en prenant une ou plusieurs des mesures suivantes :

- Réorientez ou déplacez l'antenne de réception.
- Augmentez la distance entre l'appareil et le récepteur.
- Branchez l'appareil dans une prise ou à un réseau différent de celui où le récepteur est branché.
- Consultez le vendeur ou un expert en installation radio/TV pour obtenir de l'aide.

Élimination de la batterie sans danger pour l'environnement



Les matières toxiques et corrosives ci-dessous se trouvent dans les batteries utilisées dans cette machine : Lithium-ion, une substance toxique.

Éliminez toutes les substances toxiques d'une manière spécifiée afin de prévenir la contamination de l'environnement. Avant de jeter une batterie au lithium-ion endommagée ou usée, contactez votre agence locale d'élimination des déchets ou l'agence locale de protection de l'environnement pour obtenir des informations et des instructions spécifiques. Apportez les batteries à un centre local de recyclage ou d'élimination certifié pour l'élimination de batteries au lithium-ion.

Si la batterie se fissure ou se casse, avec ou sans fuite, ne la rechargez pas et ne l'utilisez pas. Jetez-la et remplacez-la par une nouvelle batterie. N'ESSAYEZ PAS DE LA RÉPARER !

Pour prévenir les blessures et les risques d'incendie, d'explosion ou de décharge électrique, et pour éviter tout dommage à l'environnement :

Couvrez les bornes de la batterie avec du ruban adhésif résistant.

N'essayez PAS de retirer ou de détruire l'un des composants de la batterie.

N'essayez PAS d'ouvrir la batterie.

En cas de fuite, les électrolytes rejetés sont corrosifs et toxiques. NE laissez PAS entrer la solution dans les yeux ou en contact avec la peau et ne l'avalez pas.

NE PAS jeter vos batteries usagées dans votre poubelle à ordures ménagères.

N'incinerez PAS les batteries.

NE LES Mettez PAS dans un endroit où ils feront partie d'un site d'enfouissement de déchets ou d'un flux de déchets solides municipaux.

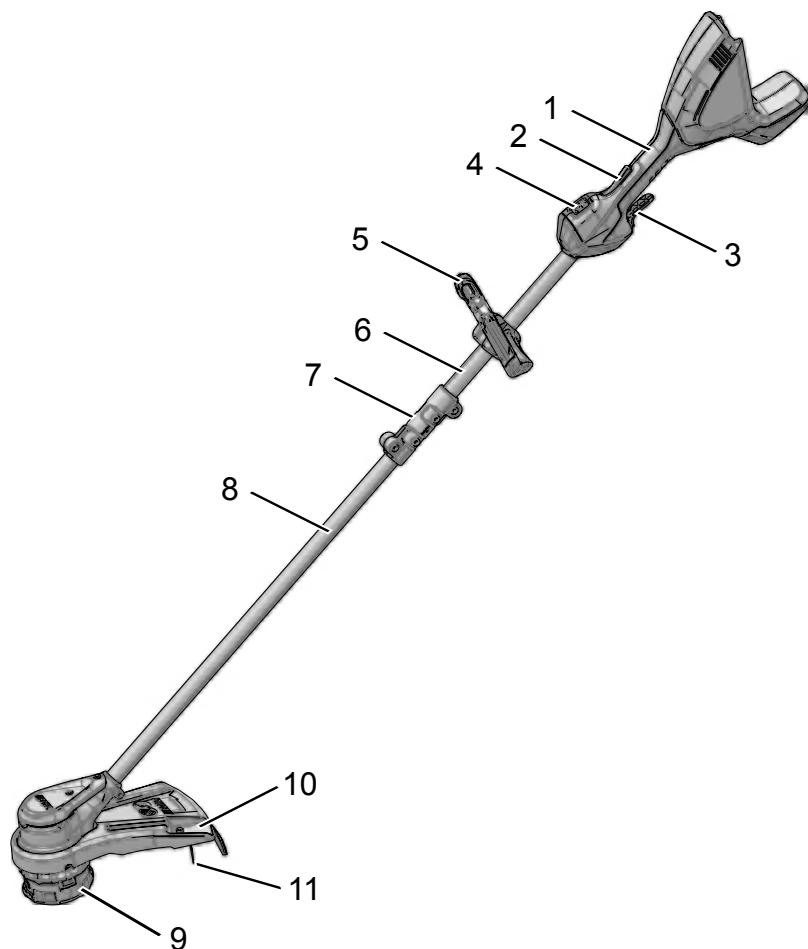
Emmenez-les dans un centre de recyclage ou d'élimination certifié.

La plage de température ambiante recommandée :

ARTICLE	TEMPÉRATURE
Plage de température de stockage des outils électriques	32°F (0°C) - 113°F (45°C)
Plage de température de fonctionnement de l'outil électrique	32°F (0°C) - 113°F (45°C)
Plage de température de rechargement de la batterie	39°F (4°C) - 104°F (40°C)
Plage de température de fonctionnement du chargeur	39°F (4°C) - 104°F (40°C)
Plage de température d'entreposage de la batterie	32°F (0°C) - 113°F (45°C)
Plage de température de déchargement de la batterie	32°F (0°C) - 113°F (45°C)

DESCRIPTION

Repérez les étiquettes de sécurité sur votre appareil. Assurez-vous que l'étiquette ou les étiquettes sont lisibles et que vous comprenez et suivez les instructions qui s'y trouvent. Si une étiquette ne peut pas être lue, une nouvelle peut être commandée auprès de votre revendeur ECHO. L'étiquette de sécurité est à titre d'exemple seulement. Votre étiquette peut apparaître légèrement différente.



AWARNING: This tool is not to be used for cutting or trimming of any material other than the material intended for use. The use of this tool for any other purpose may result in injury or damage to the tool. Always use proper cutting technique. Do not use the tool to cut through nails, wires, or other objects. Always use proper safety techniques. Do not use the tool in a confined space or near overhead power lines. Do not use the tool in a wet or slippery area. Do not use the tool in a flammable or explosive atmosphere. Do not use the tool in a confined space or near overhead power lines. Do not use the tool in a wet or slippery area. Do not use the tool in a flammable or explosive atmosphere. Do not use the tool in a confined space or near overhead power lines. Do not use the tool in a wet or slippery area. Do not use the tool in a flammable or explosive atmosphere.

AVERTISSEMENT: Cet outil n'est pas à utiliser pour couper ou élaguer tout autre matériau que celui prévu à cet effet. L'utilisation de cet outil pour toute autre fin peut entraîner des blessures ou des dommages à l'outil. Utilisez toujours la bonne technique de coupe. Ne coupez pas à travers des clous, des fils ou d'autres objets. Utilisez toujours les techniques de sécurité appropriées. Ne travaillez pas dans un espace confiné ou à proximité de lignes électriques aériennes. Ne travaillez pas dans une zone humide ou glissante. Ne travaillez pas dans une atmosphère inflammable ou explosive. Ne travaillez pas dans un espace confiné ou à proximité de lignes électriques aériennes. Ne travaillez pas dans une zone humide ou glissante. Ne travaillez pas dans une atmosphère inflammable ou explosive. Ne travaillez pas dans un espace confiné ou à proximité de lignes électriques aériennes. Ne travaillez pas dans une zone humide ou glissante. Ne travaillez pas dans une atmosphère inflammable ou explosive.

ADVERTENCIA: Esta herramienta no se debe utilizar para cortar o podar cualquier material distinto del que está destinado a ser utilizado. El uso de esta herramienta para cualquier otro propósito puede causar lesiones o daños a la herramienta. Siempre utilice la técnica correcta de corte. No corte a través de clavos, cables u otros objetos. Siempre utilice las técnicas de seguridad apropiadas. No trabaje en espacios confinados o cerca de líneas eléctricas aéreas. No trabaje en áreas húmedas o resbaladizas. No trabaje en atmósferas inflamables o explosivas. No trabaje en espacios confinados o cerca de líneas eléctricas aéreas. No trabaje en áreas húmedas o resbaladizas. No trabaje en atmósferas inflamables o explosivas. No trabaje en espacios confinados o cerca de líneas eléctricas aéreas. No trabaje en áreas húmedas o resbaladizas. No trabaje en atmósferas inflamables o explosivas.



CORDELESS STRING TRIMMER 56V
COUPE-HERBE SANS FIL **DSRM-2100**
PODADORA INALÁMBRICA 1-800-432-3246

0.095 IN (2.4 MM) DIA. SILENTWIST LINE
0.095 IN (2.4 MM) DIA. FIL DE SILENTWIST
0.095 PULG. (2.4 MM) DIA. LÍNEA DE SILENTWIST
Certified to CSA std. C22.2 No.147
Conforme to UL Std. 82
Certifié selon la norme CSA C22.2 No.147
Conforme à UL Std. 82
Certificato a CSA STD C22.2 No.147
Cumple con UL Std. 82
Made in China
Fabriqué en Chine
Hecho en China

Intertek
5021527

ECHO Incorporated
400 Oakwood Road
Lake Zurich, IL 60047
Build date:
QR:
SN:

1. Poignée arrière
2. Levier de verrouillage
3. Interrupteur de déclenchement
4. Interrupteur de vitesse
5. Poignée de support
6. Arbre supérieur
7. Coupleur
8. Arbre inférieur
9. Tête de coupe
10. Bouclier de débris
11. Couteau à couper



ASSEMBLAGE

AVERTISSEMENT

Retirez la batterie de la machine avant l'entretien.

AVERTISSEMENT

N'utilisez pas d'accessoire non recommandé pour cette machine.

Déballer la machine

AVERTISSEMENT

Assurez-vous d'assembler correctement la machine avant de l'utiliser.

AVERTISSEMENT

Si les pièces sont endommagées, n'utilisez pas la machine.

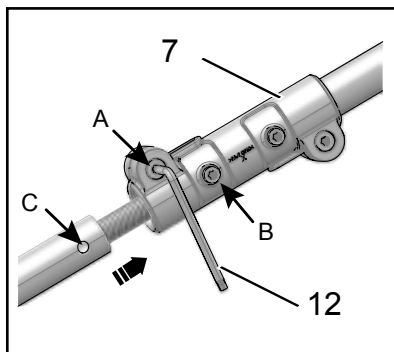
Si vous n'avez pas toutes les pièces, n'utilisez pas la machine.

Si les pièces sont endommagées ou manquantes, communiquez avec le centre de service.

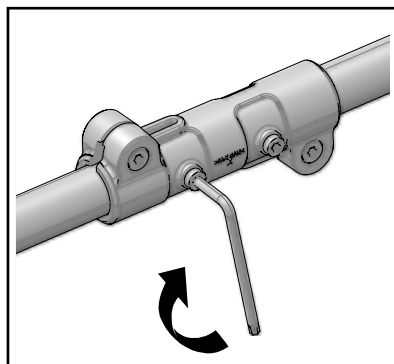
1. Ouvrez l'emballage.
2. Lisez la documentation contenue dans la boîte.
3. Retirez toutes les pièces non assemblées de la boîte.
4. Retirez la machine de sa boîte.
5. Jetez la boîte et l'emballage en respectant les règlements locaux.

Assembler l'arbre

1. Desserrer les vis (A,B) sur le coupleur (7) avec la clé (12).
2. Alignez le trou de positionnement (C) à l'arbre inférieur avec la vis (B) et faites glisser les deux arbres ensemble.

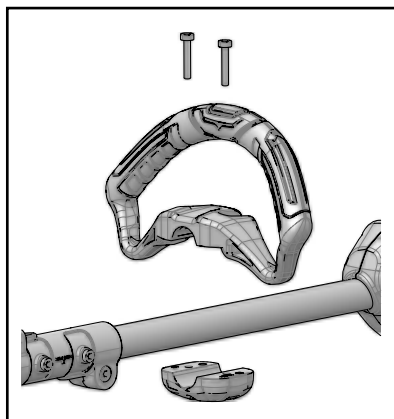


3. Tournez l'arbre inférieur jusqu'à ce que la vis (B) se verrouille dans le trou de positionnement.
4. Serrez les vis (B,A).



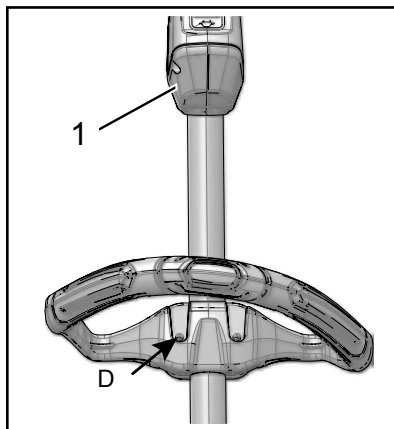
Attacher la poignée de support

1. Retirez les vis de la poignée.



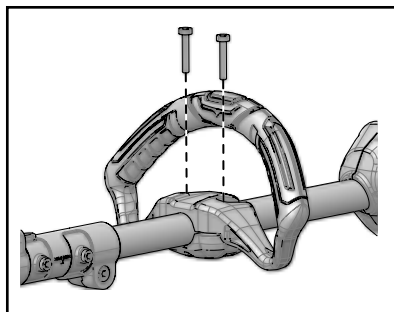
2. Attachez la poignée de support et abaissez la bride sur l'arbre.

3. Placez les trous de vis (D) sur la poignée de support vers la poignée arrière (1).



4. Placez la poignée de support dans la position la plus confortable pour l'utilisation.

5. Serrez les vis.

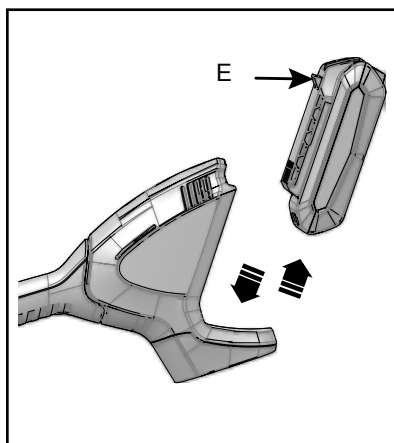


Installer l'application

AVERTISSEMENT

- *Remplacez la batterie ou le chargeur s'ils sont endommagés.*
- *Arrêtez la machine et attendez que le moteur s'arrête avant d'installer ou de retirer la batterie.*
- *Lisez et assurez-vous de comprendre les instructions du manuel du bloc-batterie et du chargeur.*

1. Alignez les languettes du bloc-batterie avec les rainures du compartiment de batterie.
2. Poussez le bloc-batterie dans le compartiment de batterie jusqu'à ce qu'il soit bien encliqueté.
3. Vous entendrez un clic lorsque la batterie sera installée.



Retirer la batterie

1. Poussez et maintenez enfoncé le bouton de déblocage de la batterie (E).
2. Retirez la batterie de la machine.

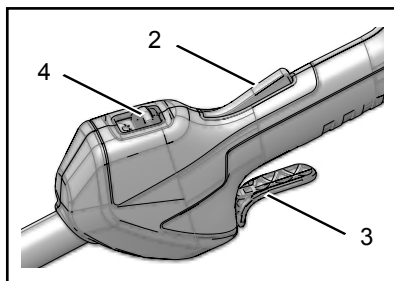
OPÉRATION

AVERTISSEMENT

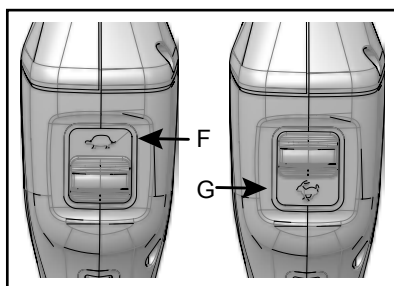
Avant d'utiliser la machine, lisez et comprenez les consignes de sécurité et les instructions d'utilisation.

Démarrer la machine

1. Appuyez sur le levier de verrouillage (2) et tirez l'interrupteur à gâchette (3).
2. Poussez l'interrupteur de vitesse (4) sur la vitesse de fonctionnement désirée.



3. Poussez l'interrupteur à gâchette de vitesse en position (F, tortue) pour une vitesse faible ou en position (G, lapin) pour une vitesse élevée.



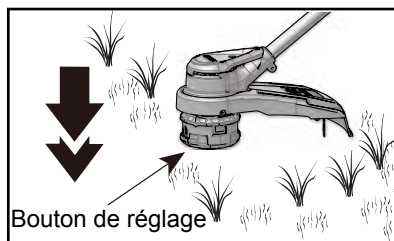
Arrêter la machine

1. Relâchez l'interrupteur à gâchette pour arrêter la machine.

Régler la longueur de la ligne de coupe

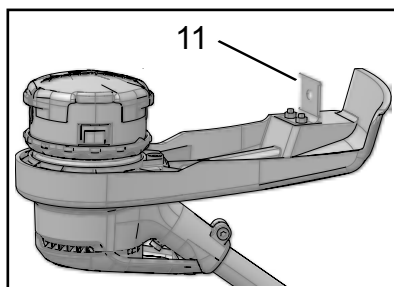
Lorsque vous utilisez la machine, le fil de coupe s'use et se raccourcit. Vous pouvez régler la longueur de la ligne de coupe.

1. Frappez la tête de coupe contre le sol pendant que vous utilisez la machine.
2. La ligne est automatiquement débloquée et la lame de coupe la longueur excédentaire.



Lame de coupe de la ligne

Cette tondeuse est équipée d'un coupe-fil (11) sur le pare-débris. La lame de coupe de la ligne coupe en continu la ligne pour assurer un diamètre de coupe constant et efficace. Avancez la ligne chaque fois que vous entendez le moteur tourner plus vite que d'habitude, ou lorsque l'efficacité du réglage diminue. Cela permettra de maintenir une meilleure performance et de garder la ligne assez longue pour couper correctement.

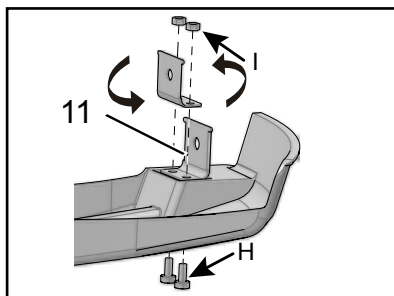


Régler le diamètre de coupe

AVIS

La machine est réglée avec un diamètre de coupe de 40,6 cm (16 po). Vous pouvez régler le diamètre de coupe à 35,6 cm (14 po). Réglez le diamètre de coupe à 35,6 cm (14 po) pour une plus grande autonomie et à 40,6 cm (16 po) pour une plus grande surface de coupe.

1. Retirez la batterie.
2. Retirez les vis de la lame (H) et les boulons (I) de la lame de coupe (11).
3. Tournez la lame de coupe de 180°.
4. Serrez toutes les vis de la lame et tous les écrous.



Conseils d'utilisation

⚠ AVERTISSEMENT

Respectez l'espace libre entre le corps et la machine.

⚠ AVERTISSEMENT

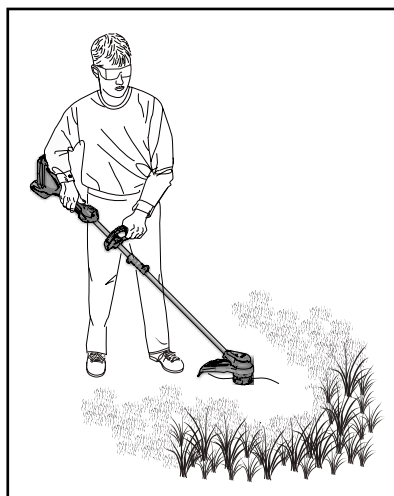
N'utilisez pas la machine sans la garde protectrice en place.

Voici quelques conseils pour l'utilisation de la machine

- Tenez fermement la machine avec les deux mains pendant son utilisation.
- Coupez l'herbe haute du haut vers le bas.

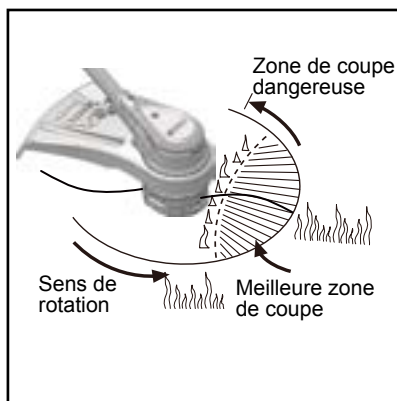
Si l'herbe s'enroule autour de la tête de coupe :

- Retirez la batterie.
- Retirez l'herbe.



Conseils de coupe

- Inclinez la machine vers la zone à couper. Utilisez l'extrémité de la ligne de coupe pour couper l'herbe.
- Déplacez la machine de la droite vers la gauche pour éviter que des débris ne frappent l'opérateur.
- Ne coupez pas dans la zone dangereuse.
- Ne forcez pas la tête de coupe dans l'herbe non coupée.
- Les fils de fer et les clôtures de piquets causent l'usure et la rupture de la ligne de coupe. Les pierres et les murs de brique, les bordures et le bois peuvent user rapidement la ligne de coupe.



ENTRETIEN

AVERTISSEMENT

Lisez et comprenez les consignes de sécurité et les instructions d'entretien avant de nettoyer, de réparer ou d'effectuer des travaux d'entretien sur la machine.

AVERTISSEMENT

Assurez-vous que tous les écrous, les boulons et les vis sont bien serrés. Vérifiez régulièrement que les poignées sont bien serrées.

AVERTISSEMENT

Utilisez uniquement les pièces de rechange et les accessoires du fabricant initial.

Information générale

AVERTISSEMENT

Seul votre concessionnaire ou un centre de service agréé peut effectuer l'entretien qui n'est pas indiqué dans ce manuel.

Avant les opérations d'entretien :

- Arrêtez la machine.
- Retirez la batterie.
- Laissez le moteur se refroidir.
- Entrez la machine dans un endroit frais et sec.
- Portez des vêtements, des gants de protection et des lunettes de sécurité appropriés.

Nettoyer la machine

- Nettoyez la machine après utilisation avec un chiffon humide trempé dans un détergent neutre.
- N'utilisez pas de détergents ou de solvants agressifs pour nettoyer les pièces en plastique ou les poignées.
- Gardez la tête de coupe exempte d'herbe, de feuilles ou de graisse excessive.
- Gardez les événements d'aération propres et exempts de débris pour éviter la surchauffe et les dommages au moteur ou à la batterie.
- Ne pulvérisez pas de l'eau sur le moteur et les composants électriques.

Remplacement de la ligne en nylon

AVERTISSEMENT

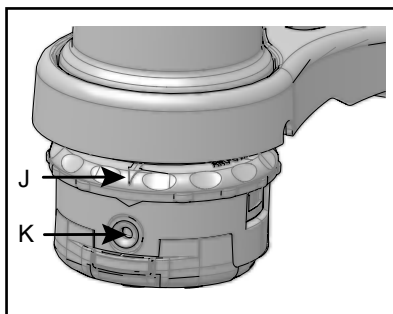
Porter des gants ou des blessures corporelles peuvent en résulter :

- *La lame est tranchante.*

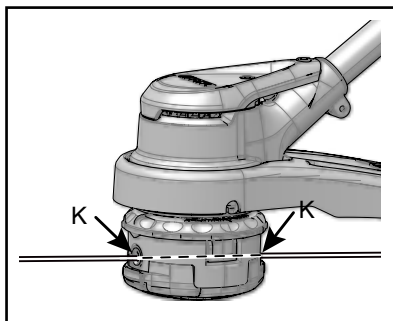
AVERTISSEMENT

N'utilisez jamais de fil ou de câble métallique qui peut se briser et devenir un « projectile » dangereux. Des blessures graves peuvent survenir.

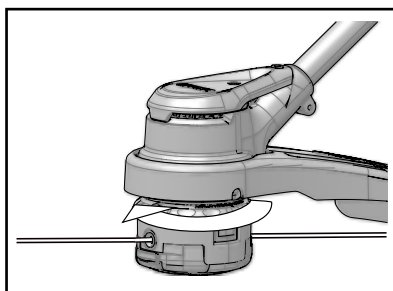
1. Coupez un morceau de ligne à la longueur recommandée.
2,0 mm (0,080 po) de diamètre 6 m (20 pi).
2,4 mm (0,095 po) de diamètre 6 m (20 pi).
2. Alignez les flèches (J) sur le dessus du bouton avec les ouvertures des œillets (K).



3. Insérez une extrémité du fil de coupe dans un œillet (K) et poussez le fil à égale distance dans la tête de coupe.



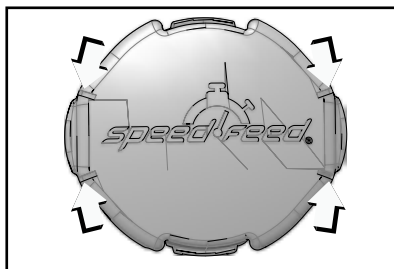
4. Tenez la tête de coupe tout en tournant le bouton dans le sens des aiguilles d'une montre pour enrouler le fil sur la bobine jusqu'à ce qu'environ 13 cm (5 po) de chaque fil restent exposés.



La tête de coupe est maintenant complètement chargée et prête à fonctionner.

AVIS

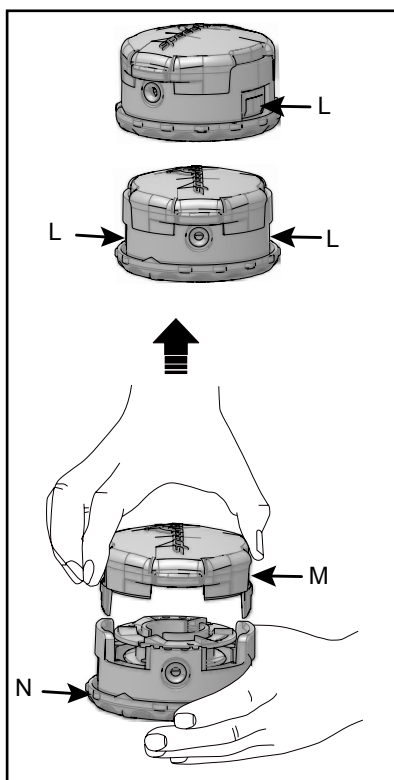
Lorsque les indicateurs d'usure situés au bas de la tête Speed-Feed® sont usés, ou si des trous apparaissent, le remplacement du couvercle ou de l'ensemble de la tête Speed-Feed® est nécessaire.



Instructions de démontage de la tête de fil en nylon

Remarque : Pour une utilisation normale, le démontage de la tête Speed-Feed® n'est pas nécessaire. Cependant, si les circonstances nécessitent un démontage, suivez ces instructions.

1. Appuyez sur le haut des languettes de verrouillage (L) des deux côtés de la tête Speed-Feed® pour libérer le couvercle (M) du support d'œillet (N).



2. Appuyez sur le haut des languettes de verrouillage (L) des deux côtés de la tête Speed-Feed® pour libérer le couvercle (M) du support d'œillet (N).

DÉPANNAGE

Problème	Cause possible	Solution
Le moteur ne démarre pas lorsque vous appuyez sur l'interrupteur à gâchette.	Pas de contact électrique entre la machine et la batterie.	1. Retirez la batterie. 2. Vérifiez le contact et réinstallez la batterie.
	La batterie est déchargée.	Rechargez la batterie.
	Le levier de verrouillage et l'interrupteur à gâchette ne sont pas enfoncés en même temps.	1. Appuyez sur le levier de verrouillage et maintenez-le enfoncé. 2. Tirez sur l'interrupteur à gâchette pour démarrer la machine.
La machine s'arrête lorsque vous coupez l'herbe.	La garde protectrice n'est pas attachée à la machine.	Retirez la batterie et installez la garde protectrice à la machine.
	Une ligne de coupe lourde est utilisée.	Utilisez uniquement avec la ligne de coupe en nylon de 0,095 po de diamètre et plus petit.
	L'herbe s'enroule autour de l'arbre du moteur ou de la tête de coupe.	1. Arrêtez la machine. 2. Retirez la batterie. 3. Enlevez l'herbe de l'arbre du moteur et de la tête de coupe.
	Le moteur est surchargé.	1. Retirez la tête de coupe de l'herbe. 2. Le moteur se remet en marche dès que la charge est retirée. 3. Lorsque vous coupez, déplacez la tête de coupe dans le gazon à couper et hors de celui-ci et n'enlevez pas plus de 8" en un passage.
	La batterie ou la machine est trop chaude.	1. Laissez refroidir la batterie jusqu'à ce que son fonctionnement revienne à la normale. 2. Laissez refroidir la machine pendant environ 10 minutes.
	La batterie est déconnectée de l'outil.	Réinstallez le bloc-batterie
	La batterie est déchargée.	Rechargez la batterie.

Problème	Cause possible	Solution
La ligne n'avance pas.	Les lignes sont soudées entre elles.	Lubrifiez avec du silicone en vaporisateur.
	Pas assez de lignes sur la bobine.	Installez plus de lignes.
	Les lignes sont devenues trop courtes.	Avancez la ligne de coupe.
	Les lignes sont emmêlées sur la bobine.	1. Retirez les lignes de la bobine. 2. Enroulez les lignes.
La ligne ne cesse de se briser.	La machine n'est pas utilisée correctement.	1. Coupez avec le bout de la ligne, évitez les pierres, les murs et autres objets durs. 2. Avancez régulièrement la ligne de coupe pour conserver toute la largeur de coupe.
L'herbe s'enroule autour de la tête de coupe et du boîtier du moteur.	Coupez l'herbe haute au niveau du sol.	1. Coupez l'herbe haute du haut vers le bas. 2. N'enlevez pas plus de 8" à chaque passage pour éviter l'enroulement.
La ligne ne coupe pas bien.	La lame de coupe s'est émoussée.	Affûtez la lame de coupe avec une lime ou remplacez-la.
Fortes vibrations.	La longueur de la ligne d'un côté est plus longue que l'autre côté.	Assurez-vous que la ligne des deux côtés est de longueur égale. Avancez la ligne.

STOCKAGE

Stockage après utilisation

Lors du stockage du produit pendant de longues périodes, assurez-vous que les préparatifs suivants pour le stockage sont effectués.

Débroussailleuse

Ne stockez pas votre unité sans effectuer une maintenance de protection de stockage qui comprend les éléments suivants :

- Mettez l'unité hors tension.
- Retirez la batterie de la débroussailleuse.
- Enlevez l'accumulation de saleté et de débris de l'extérieur de l'unité.
- Serrez toutes les vis et tous les écrous.
- Couvrir le compartiment à batterie de la débroussailleuse.
- Rangez l'appareil dans un endroit sec et sans poussière, hors de portée des enfants.

Batterie

- Retirez la batterie de la débroussailleuse.
- À conserver dans un endroit sec et sans poussière, hors de portée des enfants.
- Conserver à des températures comprises entre 32 °F (0 °C) et 113 °F (45 °C).
- Si la batterie est stockée pendant plus d'un an, chargez-la à 100 % de sa capacité.

Chargeur

- Retirez la batterie du chargeur.
- Mettez l'appareil hors tension.
- À conserver dans un endroit sec et sans poussière, hors de portée des enfants.

SPÉCIFICATIONS

MODÈLE	DSRM-2100
Longueur	1700 mm (66,93 pouces)
Largeur	295 mm (11,61 pouces)
Hauteur	230 mm (9,06 pouces)
Poids (sans batterie)	3,4 kg (7,5 lb)
Poids (avec batterie)	4,42 kg (9,75 lb)
Tige de commande	Tube en aluminium de 25,0 mm
Sens de rotation	Dans le sens inverse des aiguilles d'une montre; vu de dessus
Tête de coupe	Tête de fil en nylon Speed-Feed®
Guidon	Avant - boucle, poignée arrière
Type	Sans fil, à batterie
Moteur	56V
Vitesse à vide	6000/5000 ±10 % RPM
Diamètre de la ligne de coupe	2,4 mm (0,095 pouces)
Diamètre de coupe	406 mm (16 po) / 356 mm (14 po)
Type d'avance du fil	Avance par coups
Batterie modèle	Batteries de série ECHO eFORCE™ 56V
Type	Li-ion
Voltage	56 (noté 50,4)
Type de chargeur	CCVC
Tension d'entrée du chargeur	AC 120
Chargeur modèle	Chargeur de batterie de série ECHO eFORCE™ 56V
Temps de charge	Voir le manuel d'utilisation de la batterie

ENREGISTREMENT DU PRODUIT

Merci d'avoir choisi ECHO Power Equipment

Veillez vous rendre à l'adresse <http://www.echo-usa.com/Warranty/Register-Your-ECHO> pour enregistrer votre nouveau produit en ligne. C'est RAPIDE et FACILE! REMARQUE : vos renseignements ne seront jamais vendus ou utilisés à mauvais escient par ECHO, Incorporated.

L'enregistrement de votre achat nous permet de communiquer avec vous dans le cas improbable d'une mise à jour du service ou d'un rappel de produit, et vérifie votre propriété pour la prise en compte de la garantie.

Si vous n'avez pas accès à Internet, vous pouvez remplir le formulaire ci-dessous et le poster à :

ECHO Incorporated, Product Registration, PO Box 1139, Lake Zurich, IL 60047.



PRODUCT REGISTRATION CARD : TARJETA DE REGISTRO : CARTE D'ENREGISTREMENT DU PRODUIT

ONLINE OPTION: Register online and save a stamp! You will be alerted of product updates and/or be sent new ECHO product information and special offers. Simply go to: www.echo-usa.com

OPCION POR INTERNET: Regístrese en la página web y ahorre una estampilla. Le alertarán sobre actualizaciones del producto y/o se le enviara información sobre los nuevos productos ECHO y las ofertas especiales. Simplemente visite: www.echo-usa.com

OPTION EN LIGNE: Enregistrer en ligne et épargner un timbre! Vous serez informé sur les nouveaux produits ECHO et les mises à jour de produit ainsi que les offres spéciales. Simplement visitez le: www.echo-usa.com

Please Print : Por Favor Escriba Con Letra De Molde : En Lettre Carré S.V.P.

Confidential: Information provided will not be shared or sold

Purchaser's Name : Nombre del Comprador : Nom de l'acheteur

Primary use of tool: Professional Homeowner Rental Equip.
 Uso primario de la herramienta: Profesional Dueño de casa Alquiler
 Usage principal: Professionnel Résidentiel Location

Do you wish to receive periodic ECHO product information and special offers by e-mail? Yes No

¿Desea usted recibir información periódica y ofertas especiales por correo electrónico sobre el producto ECHO? Yes No

Souhaitez-vous recevoir périodiquement de l'information sur les produits ECHO et les offres spéciales par courrier électronique? Oui Non

Did you visit the ECHO website before purchasing your product?
 Yes No

Visitéz usted la página web ECHO antes de comprar su producto?
 Si No

Avez-vous visité le site d'ECHO avant de procurer votre produit?
 Oui Non

What factor(s) most influenced your purchase?

Performance Price Dealer
 Reliability Prior Experience Quality
 Friend/Family Brand Warranty

¿Qué factor(es) influenció más en su compra?
 Funcionamiento Precio Distribuidor
 Confiabilidad Experiencia Anterior Calidad
 Amigo/Familia Marca Garantía

Quel facteur (facteurs) vous a influencé le plus?

Performance Prix Marchand
 Fiabilité Expérience Qualité
 Ami/Famille Marque Garantie

ECHO INC., 400 Oakwood Rd., Lake Zurich, IL 60047
 1.800.432.ECHO WWW.ECHO-USA.COM

X7572270206 02-2012



GARANTIE

Relevé de garantie limitée pour les produits portables ECHO de 56 volts et les tondeuses Walk Behind vendus aux États-Unis et au Canada

Mandats d'ECHO Incorporated à l'acheteur au détail d'origine que ce produit d'extérieur de marque ECHO de 56 volts est exempt de défauts de matériaux et de fabrication et accepte de réparer ou de remplacer, à la discrétion d'ECHO Incorporated, tout produit défectueux gratuitement dans ces délais à compter de la date d'achat :

- Si le produit est destiné à l'usage du propriétaire :
 - Unités et outil nu - 5 ans
 - Batterie ou chargeur – 2 ans
- Si le produit est destiné à un usage commercial :
 - Unités et outil nu - 2 ans
 - Batterie ou chargeur – 2 ans
- Si le produit est destiné à la location : 90 jours pour toutes les unités, batteries et chargeurs.
- Accessoires de coupe tels que, y compris, barres, chaînes, pignons, lames, dents, ceintures, PowerBroom™ et les têtes de tondeuse en nylon pour l'utilisation par le propriétaire ou usage non producteur de revenus seront couvertes pour les défaillances dues à des défauts de matériaux ou de fabrication pendant une période de 60 jours à partir de la date d'achat du produit d'origine et de 30 jours pour une utilisation commerciale / de location. Toute mauvaise utilisation par contact avec du béton, des roches ou d'autres structures n'est pas couverte par cette garantie.

Cette garantie s'étend uniquement à l'acheteur au détail d'origine et commence à la date de l'achat au détail d'origine.

Toute partie de ce produit jugée raisonnablement par ECHO Incorporated, défectueuse en matériaux ou en fabrication sera réparée ou remplacée sans frais pour les pièces et la main d'oeuvre par un Concessionnaire ECHO.

Les unités, pièces de réparation et accessoires remplacés en vertu de cette garantie ne sont garantis que pour le reste de la période de garantie d'origine.

Le produit, y compris toute pièce défectueuse, doit être retourné à un Concessionnaire ECHO pendant la période de garantie. Les frais de livraison du produit au centre de service pour les travaux de garantie et les frais de retour au propriétaire après la réparation ou le remplacement seront payés

par le propriétaire. La responsabilité d'ECHO Incorporated à l'égard des réclamations se limite à effectuer les réparations ou les remplacements requis et aucune réclamation de violation de garantie ne doit être un motif d'annulation ou d'annulation du contrat de vente de tout produit d'extérieur de marque ECHO de 56 volts. Une preuve d'achat sera exigée par le concessionnaire pour justifier toute réclamation de garantie. Tous les travaux sous garantie doivent être effectués par un concessionnaire ECHO autorisé.

Cette garantie ne couvre pas les unités, les batteries ou les chargeurs qui ont fait l'objet d'une mauvaise utilisation, d'une négligence, d'une négligence ou d'un accident, ou qui ont été utilisés de quelque manière que ce soit contrairement aux instructions d'utilisation spécifiées dans le manuel de l'opérateur. Cette garantie ne couvre pas la détérioration normale due à l'utilisation ou à l'exposition, et toute réparation.

Cette garantie ne couvre pas les dommages aux chargeurs ou aux batteries par une tension de charge incorrecte et les batteries qui ont été exposées à des températures supérieures à celles spécifiées dans le manuel de l'opérateur, aux batteries qui n'ont pas été correctement chargées ou aux batteries qui ont atteint leur durée de vie utile.

Cette garantie ne s'applique à aucun dommages au produit qui résultent d'un mauvais entretien ou à tout produit qui a été modifié ou modifié. La garantie ne s'étend pas aux réparations rendues nécessaires par l'usure normale ou par l'utilisation de pièces ou d'accessoires qui sont incompatibles avec le produit d'extérieur 56 Volts de marque ECHO ou qui nuisent à son fonctionnement, à ses performances ou à sa durabilité. De plus, cette garantie ne couvre pas l'usure d'articles normaux tels que, mais sans s'y limiter :

Articles d'usure - Boutons de bosse, bobines extérieures, lignes de coupe, bobines intérieures, rondelles en feutre, goupilles d'attelage, lames de paillage, ventilateur à refoulement, tubes de soufflage et de vide, sac et sangles à vide, barres de guidage, chaînes de scie, sac de capture d'herbe, lames de taille-haie et roues

ECHO Incorporated se réserve le droit de modifier ou d'améliorer la conception de ce produit sans assumer aucune obligation de modifier tout produit précédemment fabriqué.

Toutes les garanties implicites sont limitées dans la durée à la période de garantie indiquée. En conséquence, de telles garanties implicites, y compris la qualité marchande, l'adéquation à un usage particulier ou autre, sont déclinées dans leur intégralité après l'expiration de la période de garantie de cinq ans, deux ans, un an, 90 jours, 60 jours ou 30 jours. L'obligation d'ECHO Incorporated en vertu de cette garantie est strictement et exclusivement

limitée à la réparation ou au remplacement de pièces défectueuses. ECHO Incorporated, ne suppose pas ou n'autorise quiconque à assumer pour lui toute autre obligation. Certains États n'autorisent pas les limitations sur la durée d'une garantie implicite, de sorte que la limitation cidessus peut ne pas s'appliquer à vous. ECHO Incorporated, n'assume aucune responsabilité pour les frais accessoires, consécutifs, ou d'autres dommages, y compris les frais de retour du produit à un concessionnaire pour les produits d'extérieur de marque ECHO de 56 volts et les frais de livraison au propriétaire, le temps de déplacement du mécanicien, les frais de téléphone, la location d'un produit similaire pendant le temps que le service de garantie soit effectué, le voyage, la perte ou les dommages de biens meubles, perte de revenus, perte d'utilisation du produit, perte de temps ou inconvénient. Certains États n'autorisent pas l'exclusion ou la limitation des dommages accessoires ou consécutifs, de sorte que la limitation ou l'exclusion ci-dessus peut ne pas s'appliquer à vous.

Cette garantie vous donne des droits légaux spécifiques, et vous pouvez également avoir d'autres droits qui varient d'un État à l'autre.

REMARQUES





400SRM100001 - 400SRM999999

418SRM100001 - 418SRM999999



ECHO INCORPORATED

400 Oakwood Road

Zurich Lake, IL 60047

www.echo-usa.com



Manual Del Operario DSRM-2100 Cortahierba

ADVERTENCIA

Este producto contiene sustancias químicas conocidas en el estado de California como causantes de cáncer, defectos de nacimiento u otros daños reproductivos. Cáncer y daños reproductivos www.P65Warnings.ca.gov

ADVERTENCIA



*Debe leer y entender toda la documentación que se facilita antes del uso.
De no hacerlo podrían producirse lesiones graves.*

Nota: Este producto cumple con los estándares CAN ICES-003(B) / NMB-003(B)

9992238008

© 01/2023 ECHO Incorporated

ÍNDICE

Introducción.....	3
Información sobre tareas de servicio.....	3
Piezas/número de serie.....	3
Servicio.....	4
Asistencia posventa al cliente de ECHO.....	4
Registro del producto.....	4
Documentación adicional.....	4
Lista de embalaje.....	4
Seguridad.....	5
Símbolos de seguridad del manual e información importante.....	5
Símbolos internacionales.....	6
Advertencias generales de seguridad para herramientas eléctricas.....	7
Declaración FCC.....	14
Eliminación de la batería segura para el medio ambiente.....	15
Descripción.....	17
Montaje.....	19
Desembalaje de la máquina.....	19
Montaje del eje.....	20
Fijación del asa de soporte.....	21
Instalación de la batería.....	22
Retirada de la batería.....	22
Funcionamiento.....	23
Puesta en marcha de la máquina.....	23
Detención de la máquina.....	23
Ajuste de la longitud del hilo de corte.....	24
Cuchilla de corte de hilo.....	24
Ajuste del diámetro de corte.....	24
Consejos de funcionamiento.....	25
Consejos de corte.....	26
Mantenimiento.....	27
Información general.....	27
Limpieza de la máquina.....	28
Sustitución del hilo de nailon.....	29
Instrucciones de desmontaje del cabezal del hilo de corte.....	30
Solución de problemas.....	31
Almacenamiento.....	33
Almacenamiento tras el uso.....	33
Especificaciones.....	34
Registro del producto.....	35
Garantía.....	37

INTRODUCCIÓN

Las especificaciones, descripciones, así como el material ilustrativo de esta documentación son tan precisos como se conocía en el momento de su publicación, pero están sujetos a cambios sin previo aviso. Las ilustraciones pueden incluir equipos y accesorios opcionales, asimismo, pueden no incluir todos los equipos estándar.



Debe leer y entender toda la documentación que se facilita. La documentación contiene especificaciones e información sobre la seguridad, el funcionamiento, el mantenimiento, el almacenamiento y el montaje específicos de este producto. Escanee el código QR para obtener más información.



Si desea obtener más información, incluidos los manuales de seguridad donde corresponda, o si tiene preguntas sobre los términos empleados en este manual, visite:

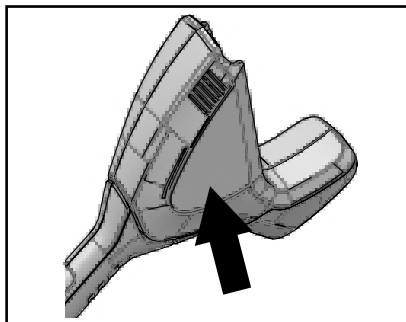
<https://www.echo-usa.com/manuals>



INFORMACIÓN SOBRE TAREAS DE SERVICIO

Piezas/número de serie

Las piezas y conjuntos originales de ECHO para sus productos ECHO solo se encuentran disponibles a través de un distribuidor autorizado de ECHO. Cuando necesite comprar piezas, tenga siempre a mano el número de modelo y el número de serie de la unidad. Para futuras consultas, escribalos en el espacio que figura a continuación para tal efecto.



Nº de modelo _____

Nº de serie _____

Servicio

El servicio de este producto durante el periodo de garantía debe ser realizado por un distribuidor de servicio técnico autorizado de ECHO. Para conocer el nombre y la dirección del distribuidor de servicio técnico autorizado de ECHO más cercano, pregunte al vendedor o llame por teléfono al: 1-800-432-ECHO (3246). También encontrará información sobre los distribuidores en nuestro sitio web www.echo-usa.com. Cuando presente su unidad para el servicio/ reparaciones bajo garantía, es necesario presentar una prueba de compra.

Asistencia posventa al cliente de ECHO

Si necesita ayuda o tiene preguntas sobre la aplicación, el funcionamiento o el mantenimiento de este producto, llame al departamento de asistencia posventa al cliente de ECHO al 1-800-432-ECHO (3246) de 8:00 a.m. a 5:00 p.m. (zona horaria central estándar) de lunes a viernes. Antes de llamar, debe conocer el modelo y el número de serie de su unidad.

Registro del producto

Registre su equipo ECHO en línea en www.echo-usa.com o cumplimentando la hoja de registro del producto incluida en este manual. El registro de su producto confirma la cobertura de la garantía y proporciona un enlace directo a ECHO si consideramos necesario ponernos en contacto con usted.

Documentación adicional

Además de encontrar información en línea, esta también se encuentra disponible a través de un distribuidor de servicio técnico autorizado de ECHO, o contactando directamente con ECHO Incorporated, 400 Oakwood Road, Lake Zurich, IL 60047, 1-800-432-ECHO (3246).

LISTA DE EMBALAJE

El producto ECHO que ha comprado se ha premontado en fábrica para su comodidad. Debido a las restricciones de embalaje, puede que sea necesario montar algún elemento.

Compruebe si hay daños tras abrir el cartón. Notifique inmediatamente al vendedor o al distribuidor de ECHO en caso de que haya piezas dañadas o ausentes. Utilice el albarán para verificar si faltan piezas.

- 1 Herramienta desnuda cortahierba
- 1 Conjunto de asa de soporte
- 1 Llave
- 1 Manual del operario

SEGURIDAD

Símbolos de seguridad del manual e información importante

En este manual y en el propio producto, encontrará alertas de seguridad y mensajes informativos útiles precedidos de símbolos o palabras clave. A continuación, se explican dichos símbolos y palabras clave y lo que significan para usted.

PELIGRO

El símbolo de alerta de seguridad acompañado de la palabra "PELIGRO" llama la atención sobre un acto o una condición que PROVOCARÁ lesiones personales graves o la muerte si no se evita.

ADVERTENCIA

El símbolo de alerta de seguridad acompañado de la palabra "ADVERTENCIA" llama la atención sobre un acto o una condición que PUEDE provocar lesiones personales graves o la muerte si no se evita.

PRECAUCIÓN

El símbolo de alerta de seguridad acompañado de la palabra "PRECAUCIÓN" llama la atención sobre un acto o una condición que podría provocar lesiones personales leves o moderadas si no se evita.

AVISO

El mensaje adjunto proporciona información necesaria para la protección de la unidad.

Nota: este mensaje adjunto ofrece consejos para el uso, el cuidado y el mantenimiento de la unidad.



CÍRCULO Y BARRA INCLINADA

Este símbolo significa que la acción específica que se muestra está prohibida.

Ignorar estas prohibiciones puede provocar lesiones graves o mortales.

Símbolos internacionales

En el producto pueden utilizarse algunos de los siguientes símbolos. Le rogamos que los estudie y aprenda su significado. La interpretación correcta de estos símbolos le permitirá manejar el producto mejor y de manera más segura.

Símbolo	Descripción	Símbolo	Descripción
	Corriente continua		Seguridad/alerta
	Lea y siga todas las precauciones de seguridad del manual del operario. El incumplimiento de las instrucciones puede provocar lesiones personales graves.		Lleve protección ocular.
	Lleve calzado de seguridad.		Lleve guantes de protección.
	Lleve protección en la cabeza.		No exponga a la lluvia ni a condiciones de humedad.
	Los objetos proyectados pueden rebotar y provocar lesiones personales o daños materiales.		Mantenga a todos los transeúntes al menos a 50'/15 m.
	No utilice cuchillas, solo cabezales de hilo.		

Nota: No todos los símbolos aparecerán en su unidad.

Advertencias generales de seguridad para herramientas eléctricas

LEA TODAS LAS INSTRUCCIONES ANTES DEL USO (DE ESTA HERRAMIENTA ELÉCTRICA)

ADVERTENCIA

Lea todas las advertencias de seguridad, instrucciones, ilustraciones y especificaciones que se proporcionan con esta herramienta eléctrica. *El incumplimiento de las advertencias e instrucciones puede provocar descargas eléctricas, incendios o lesiones graves.*

Guarde todas las advertencias e instrucciones para su consulta posterior.

El término "herramienta eléctrica" empleado en las advertencias se refiere a su herramienta eléctrica con funcionamiento a BATERÍA (inalámbrica).

Seguridad de la zona de trabajo

- **Mantenga limpia y bien iluminada la zona de trabajo.** *Las zonas desordenadas u oscuras fomentan los accidentes.*
- **No utilice herramientas eléctricas en atmósferas explosivas, como en la presencia de líquidos, gases o polvo que puedan inflamarse.** *Las herramientas eléctricas generan chispas que pueden encender el polvo o los gases.*
- **Mantenga alejados a los niños y a los transeúntes mientras utilice una herramienta eléctrica.** *Las distracciones pueden hacer que pierda el control.*

Seguridad eléctrica

- **Los enchufes de las herramientas eléctricas deben corresponder con la toma de corriente. Nunca modifique el enchufe en modo alguno. No utilice enchufes adaptadores con herramientas eléctricas conectadas a tierra.** *La utilización de enchufes no modificados y de tomas de corriente adecuadas reducirá el riesgo de descarga eléctrica.*
- **Evite el contacto del cuerpo con superficies conectadas a tierra, como tuberías, radiadores, estufas y refrigeradores.** *Existe un riesgo aumentado de descarga eléctrica si su cuerpo está conectado a tierra.*
- **No exponga las herramientas eléctricas a la lluvia o a condiciones de humedad.** *Si penetra agua en una herramienta eléctrica, aumentará el riesgo de descarga eléctrica.*
- **No abuse del cable. Nunca utilice el cable para transportar, tirar o**

desenchufar la herramienta eléctrica. Mantenga el cable alejado del calor, el aceite, los bordes afilados o las piezas móviles. Los cables dañados o enredados aumentan el riesgo de descarga eléctrica.

- **Cuando utilice una herramienta eléctrica en exteriores, use un cable alargador adecuado para uso en exterior.** La utilización de un cable adecuado para uso en exterior reduce el riesgo de descarga eléctrica.
- **Si no es inevitable el uso de una herramienta eléctrica en un lugar húmedo, utilice un suministro protegido por un DISPOSITIVO DE CORRIENTE RESIDUAL (RCD).** La utilización de un RCD reduce el riesgo de descarga eléctrica.

Seguridad personal

- **Manténgase alerta, observe lo que está haciendo y emplee el sentido común cuando utilice una herramienta eléctrica. No utilice una herramienta eléctrica mientras esté cansado o bajo la influencia de drogas, alcohol o medicamentos.** Un momento de inatención durante el uso de herramientas eléctricas puede provocar lesiones personales graves.
- **Utilice equipos de protección personal. Lleve siempre protección ocular.** Si se utilizan correctamente equipos de protección como máscaras antipolvo, zapatos de seguridad antideslizantes, cascos o protecciones auditivas, se reducirán las lesiones personales.
- **Evite el arranque accidental. Asegúrese de que el interruptor esté en la posición de apagado antes de conectar a la fuente de alimentación o a la batería y al coger o transportar la herramienta.** El transporte de herramientas eléctricas con el dedo en el interruptor o la conexión de herramientas eléctricas que tienen el interruptor activado fomenta los accidentes.
- **Retire cualquier llave de ajuste antes de encender la herramienta eléctrica.** Una llave que se quede fijada a una pieza giratoria de la herramienta eléctrica puede provocar lesiones personales.
- **No se estire. Mantenga en todo momento una postura adecuada y el equilibrio.** Esto permite un mejor control de la herramienta eléctrica en situaciones inesperadas.
- **Lleve indumentaria adecuada. No lleve ropa o joyas sueltas. Mantenga el cabello, la ropa y los guantes lejos de las piezas móviles.** La ropa suelta, las joyas o el cabello largo pueden quedar atrapados en las piezas móviles.
- **Si se utilizan dispositivos para la conexión de sistemas de extracción y recogida de polvo, asegúrese de que estén conectados y se utilicen correctamente.** La utilización de sistemas de recogida de polvo puede reducir los riesgos relacionados con el polvo.
- **No permita que la familiaridad adquirida con el uso frecuente de las herramientas le permita ser confiado e ignorar los principios de seguridad de las herramientas.** Una acción descuidada puede provocar

lesiones graves en una fracción de segundo.

Utilización y cuidado de herramientas eléctricas

- **No fuerce la herramienta eléctrica. Utilice la herramienta eléctrica correcta para su aplicación.** *La herramienta eléctrica correcta hará el trabajo mejor y con mayor seguridad a la velocidad para la que se diseñó.*
- **No utilice la herramienta eléctrica si el interruptor no la enciende y la apaga.** *Cualquier herramienta eléctrica que no pueda controlarse con el interruptor es peligrosa y debe repararse.*
- **Desconecte el enchufe de la fuente de alimentación o retire la batería de la herramienta eléctrica antes de realizar ajustes, cambiar accesorios o almacenar herramientas eléctricas.** *Estas medidas de seguridad preventivas reducen el riesgo de que la herramienta eléctrica se arranque accidentalmente.*
- **Almacene las herramientas eléctricas inactivas fuera del alcance de los niños y no permita que personas que no estén familiarizadas con la herramienta eléctrica o estas instrucciones puedan utilizarla.** *Las herramientas eléctricas son peligrosas en manos de usuarios inexpertos.*
- **Mantenga las herramientas eléctricas y los accesorios.** **Compruebe si hay desalineación o unión de las piezas móviles, rotura de piezas y cualquier otra condición que pueda afectar al funcionamiento de la herramienta eléctrica.** *Si ha sufrido daños, lleve a reparar la herramienta eléctrica antes del uso. Numerosos accidentes se deben a herramientas eléctricas mal mantenidas.*
- **Mantenga limpias y afiladas las herramientas de corte.** *Las herramientas de corte mantenidas correctamente con filos cortantes tienen menos probabilidades de atascarse y son más fáciles de controlar.*
- **Utilice la herramienta eléctrica y los accesorios de acuerdo con estas instrucciones, teniendo en cuenta las condiciones de trabajo y el trabajo a realizar.** *El uso de la herramienta eléctrica para operaciones distintas de las previstas podría dar lugar a una situación peligrosa.*
- **Mantenga las asas y las superficies de agarre secas, limpias y sin restos de aceite y grasa.** *Las asas y las superficies de agarre resbaladizas no permiten un manejo y control seguros de la herramienta en situaciones inesperadas.*

Utilización y cuidado de herramientas a batería

- **Recargue únicamente con los cargadores para la serie de baterías ECHO eFORCE™ 56V.** *Un cargador adecuado para un tipo de batería puede dar lugar a un riesgo de incendio cuando se usa con otra batería.*
- **Recargue únicamente la serie de baterías ECHO eFORCE™ 56V.** *El uso de cualquier otra batería puede dar lugar a un riesgo de lesiones e incendio.*
- **Cuando la batería no esté en uso, manténgala alejada de otros**

objetos metálicos como clips, monedas, llaves, clavos, tornillos u otros objetos metálicos pequeños que puedan hacer una conexión entre los terminales. El cortocircuito de los terminales de la batería puede provocar quemaduras o incendios.

- **No abra ni destruya la batería.** Los electrolitos contenidos dentro de la batería son corrosivos y pueden producir daños en los ojos o la piel si se liberan. Puede ser tóxico en caso de ingestión.
- **Bajo condiciones abusivas, es posible que salga líquido despedido de la batería; evite el contacto. Si se produce un contacto accidental, aclare con agua. Si el líquido entra en contacto con los ojos, acuda también al médico.** El líquido despedido de la batería puede provocar irritación o quemaduras.
- **Tenga cuidado al manipular las baterías para evitar un cortocircuito con materiales conductores, como anillos, pulseras, llaves, etc.** La batería o el conductor puede sobrecalentarse y producir quemaduras si se hace contacto con dichos materiales.
- **No utilice una batería o una herramienta que haya sufrido daños o modificaciones.** Las baterías dañadas o modificadas pueden exhibir un comportamiento impredecible que puede dar lugar a un incendio, una explosión o un riesgo de lesiones.
- **No exponga una batería o una herramienta al fuego ni a una temperatura excesiva.** La exposición al fuego o a una temperatura superior a 130 °C (266 °F) puede provocar una explosión.
- **Siga todas las instrucciones de carga y no cargue la batería o la herramienta fuera del intervalo de temperatura especificado en las instrucciones.** La carga incorrecta o a temperaturas fuera del intervalo especificado puede dañar la batería y aumentar el riesgo de incendio.

Seguridad infantil

Pueden producirse accidentes trágicos si el operario no es consciente de la presencia de niños.

- Mantenga a los niños fuera de la zona de trabajo y bajo la vigilancia de un adulto responsable.
- No permita que los niños utilicen la máquina.
- Manténgase alerta y apague la máquina si un niño o cualquier otra persona entra en la zona de trabajo.
- Tenga mucho cuidado al acercarse a esquinas ciegas, pórticos, arbustos, árboles u otros objetos que puedan ocultar su visión de un niño que pueda correr hacia el recorrido de la máquina.

Servicio

- **Solicite a un distribuidor autorizado de ECHO que realice las tareas de servicio de su herramienta eléctrica utilizando únicamente piezas de repuesto idénticas.** Esto garantizará el mantenimiento de la seguridad

de la herramienta eléctrica.

- **Nunca repare las baterías dañadas.** La reparación de las baterías únicamente debe ser realizada por el fabricante o los proveedores de servicio técnico autorizados.

Advertencias de seguridad para cortahierbas

- Utilice únicamente accesorios y piezas de repuesto idénticos del fabricante. El uso de cualquier otra pieza puede generar un riesgo o producir daños en el producto.
- Lleve siempre gafas de seguridad con protectores laterales marcadas para cumplir la ANSI Z87.1. Las gafas normales solo tienen lentes resistentes a impactos. NO son gafas de seguridad. Si sigue esta regla reducirá el riesgo de lesiones oculares. Utilice máscara facial si trabaja en espacios de trabajo con polvo.
- Evite los entornos peligrosos – No exponga las herramientas eléctricas a condiciones de humedad. Si penetra agua en una herramienta eléctrica, aumentará el riesgo de descarga eléctrica.
- No utilice bajo la lluvia.
- Mantenga a todos los transeúntes, niños y mascotas al menos a 50 ft. (15 m).
- Lleve indumentaria adecuada – No lleve ropa o joyas sueltas. Pueden quedar atrapadas en las piezas móviles. Se recomienda el uso de guantes de goma y calzado resistente cuando se trabaje en el exterior. Lleve una protección capilar para sujetar el cabello largo.
- Utilice la máquina adecuada. No utilice la máquina para trabajos distintos del previsto.
- Evite la puesta en marcha accidental – No transporte la máquina con el dedo sobre el interruptor. Asegúrese de que el interruptor esté desactivado al conectar la batería.
- No fuerce la máquina – Hará el trabajo mejor y con menos probabilidades de sufrir lesiones a la velocidad para la que se diseñó.
- No se estire – Mantenga en todo momento una postura adecuada y el equilibrio.
- Manténgase alerta – Observe lo que está haciendo. Utilice el sentido común. No utilice esta unidad cuando esté cansado, enfermo o bajo la influencia de alcohol, drogas o medicamentos.
- Almacene siempre las herramientas eléctricas inactivas en interior – Cuando no estén en uso, las herramientas eléctricas deben almacenarse en interior, en un lugar seco, fuera del alcance de los niños.
- Mantenga la máquina con cuidado – Sustituya el cabezal de hilo si está agrietado, astillado o dañado de alguna manera. Asegúrese de que el cabezal de hilo esté correctamente instalado y bien fijado. Mantenga el filo afilado y limpio para un mejor rendimiento y para reducir el riesgo de lesiones. Siga las instrucciones para la lubricación y el cambio de

accesorios. Inspeccione periódicamente el cable, y si está dañado, haga que lo repare un centro de servicio técnico autorizado. Inspeccione periódicamente los cables alargadores y sustitúyalos si están dañados. Mantenga las asas secas, limpias y sin restos de aceite y grasa. De no hacerlo podrían producirse lesiones graves.

- Compruebe las piezas dañadas antes de utilizar la máquina. Una protección u otra pieza dañada debe comprobarse detenidamente para determinar si funcionará correctamente y cumplirá su función prevista. Compruebe la alineación de las piezas móviles, la unión de las partes móviles, la rotura de piezas, los montajes dañados y cualquier otra condición que pueda afectar a su funcionamiento. Una protección u otra pieza que esté dañada debe ser reparada o sustituida debidamente por un centro de servicio autorizado, a menos que se indique lo contrario en este manual.
- Retire o desconecte la batería antes de reparar, limpiar o retirar material de la máquina de jardinería.
- No modifique ni intente reparar la máquina o la batería (según corresponda), excepto según lo indicado en las instrucciones de uso y cuidado. Utilice las máquinas únicamente con la serie de baterías ECHO eFORCE™ 56V. El uso de cualquier otra batería puede dar lugar a un riesgo de lesiones e incendio.
- Recargue únicamente con los cargadores para la serie de baterías ECHO eFORCE™ 56V. Un cargador adecuado para un tipo de batería puede dar lugar a un riesgo de incendio cuando se usa con otra batería.
- Cuando la batería no esté en uso, manténgala alejada de otros objetos metálicos como clips, monedas, llaves, clavos, tornillos u otros objetos metálicos pequeños que puedan hacer una conexión entre los terminales. El cortocircuito de los terminales de la batería puede provocar un incendio.
- Bajo condiciones abusivas, es posible que salga líquido despedido de la batería; evite el contacto. Si se produce un contacto accidental, aclare con agua. Si el líquido entra en contacto con los ojos, acuda también al médico. El líquido despedido de la batería puede provocar irritación o quemaduras.
- No utilice una batería o una máquina que haya sufrido daños o modificaciones. Las baterías dañadas o modificadas pueden exhibir un comportamiento impredecible que puede dar lugar a un incendio, una explosión o un riesgo de lesiones.
- No exponga una batería o máquina al fuego ni a una temperatura excesiva. La exposición al fuego o a una temperatura superior a 265 °F (130 °C) puede provocar una explosión.
- No deseche las baterías en el fuego. Las celdas pueden explotar. Compruebe los códigos locales para conocer las posibles instrucciones especiales de eliminación.
- No abra ni desguace las baterías. El electrolito liberado es corrosivo y puede producir daños a los ojos o la piel. Puede ser tóxico en caso de

ingestión.

- Tenga cuidado al manipular las baterías para no cortocircuitarlas con materiales conductores como anillos, pulseras y llaves. La batería o el conductor puede sobrecalentarse y producir quemaduras.
- Siga todas las instrucciones de carga y no cargue la batería o la máquina fuera del intervalo de temperatura especificado en las instrucciones. La carga incorrecta o a temperaturas fuera del intervalo especificado puede dañar la batería y aumentar el riesgo de incendio.
- Solicite a un técnico de reparación cualificado que realice las tareas de servicio utilizando únicamente piezas de repuesto idénticas. Esto garantizará el mantenimiento de la seguridad del producto.
- Mantenga las protecciones en su posición y en estado de funcionamiento.
- Mantenga las manos y los pies alejados de la zona de corte.
- Desconecte la batería de la máquina antes de realizar ajustes, cambiar accesorios o almacenarla. Estas medidas de seguridad preventivas reducen el riesgo de que la máquina se ponga en marcha accidentalmente.
- Utilice únicamente con el hilo de corte de nailon de 0,095" (2,4 mm) de diámetro e inferior. No utilice hilos más fuertes de lo recomendado por el fabricante ni materiales de hilo de otros tipos – por ejemplo, alambre, cuerda y similar.

CONSERVE ESTAS INSTRUCCIONES

Declaración FCC

Este dispositivo cumple la Parte 15 de las Normas de la FCC. El funcionamiento está sujeto a las siguientes dos condiciones:

- Este dispositivo no puede producir interferencias perjudiciales.
- Este dispositivo debe aceptar cualquier interferencia recibida, incluidas las interferencias que puedan producir un funcionamiento no deseado.

PRECAUCIÓN

Los cambios o modificaciones no aprobados expresamente por la parte responsable de la conformidad podrían invalidar la autoridad del usuario para utilizar el equipo.

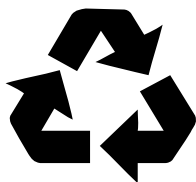
AVISO

Este equipo ha sido probado y cumple con los límites para un dispositivo digital de Clase B, de conformidad con la Parte 15 de las Normas de la FCC.

Estos límites se han diseñado para proporcionar una protección razonable contra interferencias perjudiciales en una instalación residencial. Este equipo genera, utiliza y puede radiar energía de radiofrecuencia y, si no se instala y utiliza de acuerdo con las instrucciones, puede producir interferencias perjudiciales en la recepción de radio o televisión. La recepción puede determinarse encendiendo y apagando el equipo. Se recomienda al usuario que intente corregir la interferencia mediante una o más de las siguientes medidas:

- *Reoriente o reubique la antena receptora.*
- *Aumente la separación entre el equipo y el receptor.*
- *Conecte el equipo a una toma de corriente en un circuito diferente al que está conectado el receptor.*
- *Consulte con el distribuidor o con un técnico de radio/TV experimentado para obtener ayuda.*

Eliminación de la batería segura para el medio ambiente



Los materiales tóxicos y corrosivos que figuran a continuación se encuentran en las baterías utilizadas en esta máquina: Ion de litio, un material tóxico.

Deseche todos los materiales tóxicos de una manera especificada para evitar la contaminación del medio ambiente. Antes de desechar una batería de ion de litio dañada o agotada, contacte con la agencia local de eliminación de residuos o con la agencia de protección ambiental local para obtener información e instrucciones específicas. Lleve las baterías a un centro de reciclaje o eliminación local, certificado para la eliminación de ion de litio.

Si la batería se agrieta o se rompe, con o sin fugas, no la recargue ni la utilice. Deséchela y sustitúyala por una batería nueva. ¡NO INTENTE REPARARLA!

Para evitar lesiones y riesgos de incendio, explosión o descarga eléctrica, y para evitar daños al medio ambiente:

Cubra los terminales de la batería con cinta adhesiva resistente.

NO intente retirar ni destruir ninguno de los componentes de la batería.

NO intente abrir la batería.

Si se produce una fuga, los electrolitos liberados son corrosivos y tóxicos. NO deje que la solución entre en contacto con los ojos o la piel, y no la ingiera.

NO deseche estas baterías con la basura doméstica normal.

NO incinere.

NO lleve las baterías a lugares donde formarán parte de vertederos de residuos o flujos de residuos sólidos urbanos.

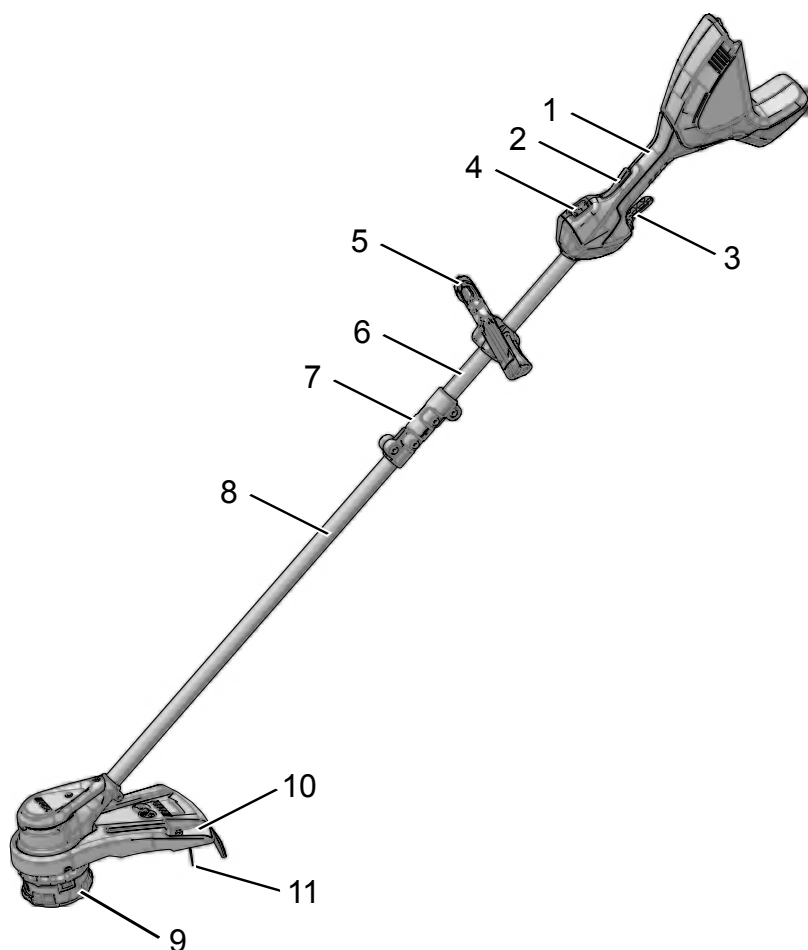
Llévelas a un centro de reciclaje o eliminación certificado.

El intervalo de temperatura ambiente recomendado:

ELEMENTO	TEMPERATURA
Intervalo de temperatura de almacenamiento para herramientas eléctricas	32°F (0°C) - 113°F (45°C)
Intervalo de temperatura de funcionamiento para herramientas eléctricas	32°F (0°C) - 113°F (45°C)
Intervalo de temperatura de carga de la batería	39°F (4°C) - 104°F (40°C)
Intervalo de temperatura de funcionamiento del cargador	39°F (4°C) - 104°F (40°C)
Intervalo de temperatura de almacenamiento de la batería	32°F (0°C) - 113°F (45°C)
Intervalo de temperatura de descarga de la batería	32°F (0°C) - 113°F (45°C)

DESCRIPCIÓN

Localice la etiqueta o las etiquetas de seguridad en su unidad. Asegúrese de que las etiquetas sean legibles y de entender y seguir las instrucciones que aparecen en ellas. Si una etiqueta no puede leerse, puede pedir una nueva a un distribuidor ECHO. La etiqueta de seguridad es solo un ejemplo. Su etiqueta puede tener un aspecto ligeramente diferente.





1. Asa trasera
2. Palanca de desbloqueo
3. Interruptor gatillo
4. Interruptor de velocidad
5. Asa de soporte
6. Eje superior
7. Acoplamiento
8. Eje inferior
9. Cabezal de corte
10. Protección contra residuos
11. Cuchilla de corte

MONTAJE

ADVERTENCIA

Retire la batería de la máquina antes de la instalación.

ADVERTENCIA

No utilice accesorios que no estén recomendados para esta máquina.

Desembalaje de la máquina

ADVERTENCIA

Asegúrese de montar correctamente la máquina antes del uso.

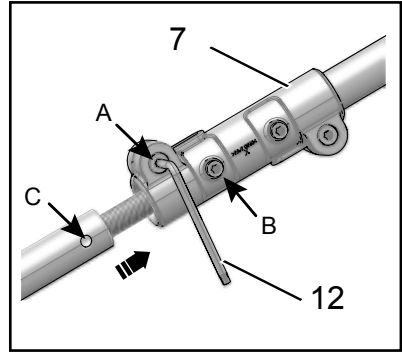
ADVERTENCIA

- *Si las piezas presentan daños, no utilice la máquina.*
- *Si no tiene todas las piezas, no utilice la máquina.*
- *Si faltan piezas o hay piezas dañadas, hable con el centro de servicio.*

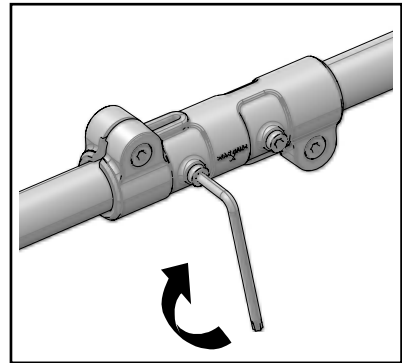
1. Abra el embalaje.
2. Lea la documentación que se encuentra en la caja.
3. Retire todas las piezas sin montar de la caja.
4. Retire la máquina de la caja.
5. Deseche la caja y el embalaje de conformidad con los reglamentos locales.

Montaje del eje

1. Afloje los tornillos (A, B) del acoplamiento (7) con la llave (12).
2. Alinee el orificio de posicionamiento (C) en el eje inferior con el tornillo (B) y deslice los dos ejes juntos.

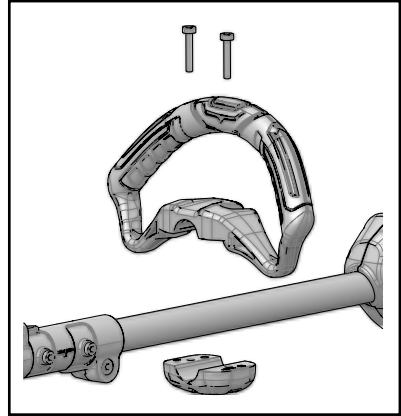


3. Gire el eje inferior hasta que el tornillo (B) se bloquee en el orificio de posicionamiento.
4. Apriete los tornillos (B, A).



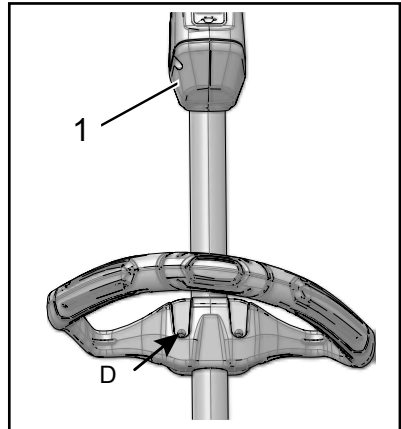
Fijación del asa de soporte

1. Retire los tornillos del asa.



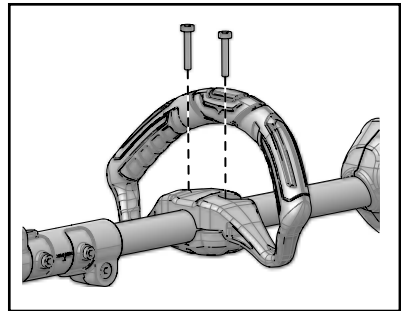
2. Fije el asa de soporte y la abrazadera inferior en el eje.

3. Coloque los orificios de los tornillos (D) en el asa de soporte hacia el asa trasera (1).



4. Sitúe el asa de soporte en la posición de uso más cómoda.

5. Apriete los tornillos.

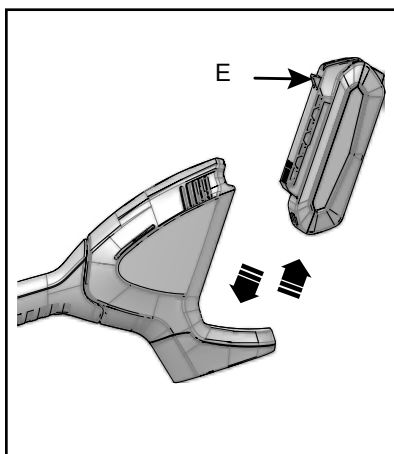


Instalación de la batería

ADVERTENCIA

- **Sustituya la batería o el cargador si han sufrido daños.**
- **Detenga la máquina y espere hasta que el motor se pare antes de instalar o retirar la batería.**
- **Debe leer y entender las instrucciones del manual de la batería y el cargador.**

1. Alinee las nervaduras de elevación de la batería con las ranuras del compartimento de la batería.
2. Introduzca la batería en el compartimento de la batería hasta que encaje en su posición.
3. Cuando escuche un clic, la batería está instalada.



Retirada de la batería

1. Pulse y mantenga pulsado el botón de desbloqueo de la batería (E).
2. Retire la batería de la máquina.

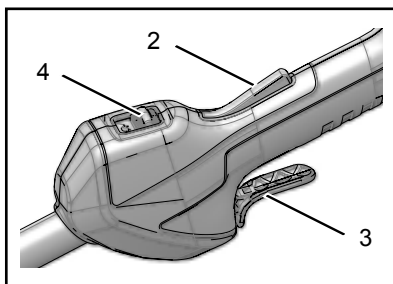
FUNCIONAMIENTO

ADVERTENCIA

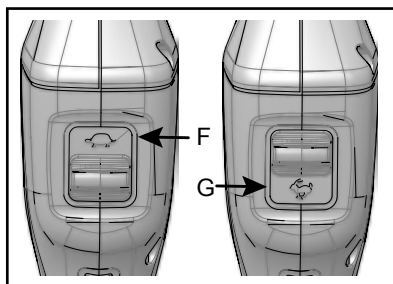
Antes de utilizar la máquina, debe leer y entender las normas de seguridad y las instrucciones de funcionamiento.

Puesta en marcha de la máquina

1. Pulse la palanca de desbloqueo (2) y apriete el interruptor gatillo (3).
2. Empuje el interruptor de velocidad (4) a la velocidad deseada de funcionamiento.



3. Empuje el interruptor de velocidad hacia la posición (F, tortuga) para velocidad baja o hacia la posición (G, conejo) para velocidad alta.



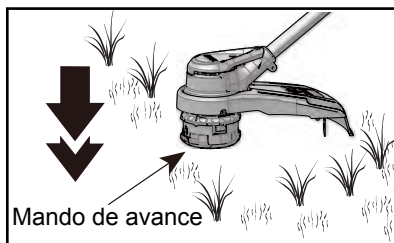
Detención de la máquina

1. Suelte el interruptor gatillo para detener la máquina.

Ajuste de la longitud del hilo de corte

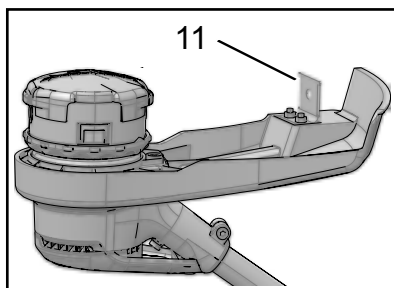
Mientras utiliza la máquina, el hilo de corte se desgasta y se acorta. Puede ajustar la longitud del hilo de corte.

1. Golpee el cabezal de corte contra el suelo mientras utiliza la máquina.
2. El hilo se libera automáticamente y la cuchilla de corte corta la longitud sobrante.



Cuchilla de corte de hilo

Este cortador está equipado con una cuchilla de corte de hilo (11) en la protección contra residuos. La cuchilla de corte de hilo recorta continuamente el hilo para garantizar un diámetro de corte uniforme y eficaz. Avance el hilo cada vez que escuche que el motor funciona más rápido de lo normal, o cuando la eficiencia del corte disminuya. Esto mantendrá el mejor rendimiento y mantendrá el hilo el tiempo suficiente para avanzar adecuadamente.

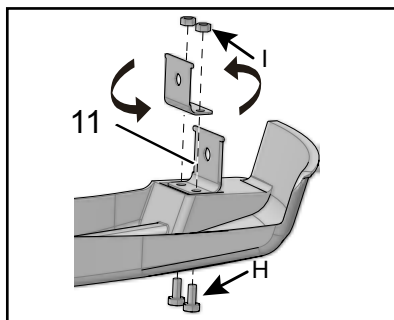


Ajuste del diámetro de corte

AVISO

La máquina está ajustada a un diámetro de corte de 16 in. (40,6 cm). Puede ajustarla a un diámetro de corte de 14 in. (35,6 cm). Ajuste el diámetro de corte a 14 in. (35,6 cm) para un tiempo de funcionamiento mayor y a 16 in. (40,6 cm) para una zona de corte más extensa.

1. Retire la batería.
2. Retire los tornillos (H) y las tuercas (I) de la cuchilla de corte (11).
3. Gire la cuchilla de corte 180°.
4. Apriete todos los tornillos y tuercas de la cuchilla.



Consejos de funcionamiento

⚠ ADVERTENCIA

Mantenga un espacio entre el cuerpo y la máquina.

⚠ ADVERTENCIA

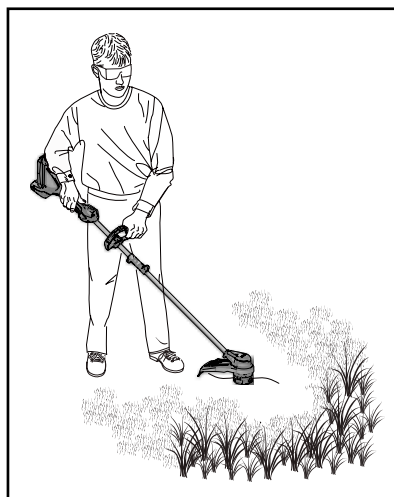
No utilice la máquina sin la protección contra residuos en su posición.

Le sugerimos lo siguiente cuando utilice la máquina:

- Mantenga una posición firme con las dos manos en la máquina mientras la utiliza.
- Corte la hierba alta de arriba a abajo.

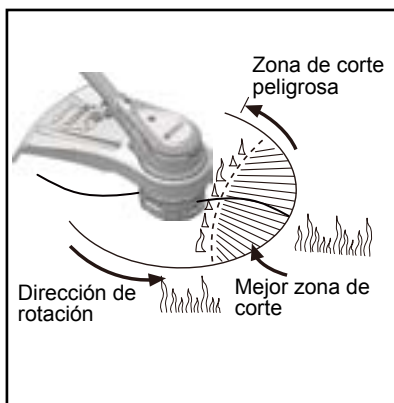
Si se enrolla hierba alrededor del cabezal de corte:

- Retire la batería.
- Elimine la hierba.



Consejos de corte

- Inclina la máquina hacia la zona que va a cortar. Utilice la punta del hilo de corte para cortar hierba.
- Mueva la máquina de derecha a izquierda para evitar que los residuos despedidos golpeen al operario.
- No corte en la zona peligrosa.
- No fuerce el cabezal de corte en hierba sin cortar.
- Las cercas de alambres y estacas provocan el desgaste y la rotura del hilo de corte. Las paredes de piedra y de ladrillo, los bordillos y la madera pueden desgastar rápidamente el hilo de corte.



MANTENIMIENTO

ADVERTENCIA

Debe leer y entender los reglamentos de seguridad y las instrucciones de mantenimiento antes de limpiar, reparar o realizar tareas de mantenimiento en la máquina.

ADVERTENCIA

Asegúrese de que todas las tuercas, los pernos y los tornillos estén apretados. Examine periódicamente que las asas estén bien instaladas.

ADVERTENCIA

Utilice únicamente las piezas de repuesto y los accesorios del fabricante original.

Información general

ADVERTENCIA

Únicamente un distribuidor o un centro de servicio autorizado puede realizar el mantenimiento que no se indica en este manual.

Antes de las operaciones de mantenimiento:

- Detenga la máquina.
- Retire la batería.
- Deje que se enfríe el motor.
- Almacene la máquina en un lugar fresco y seco.
- Utilice ropa adecuada, guantes protectores y gafas de seguridad.

Limpieza de la máquina

- Limpie la máquina después de utilizarla con un paño húmedo humedecido en detergente neutro.
- No utilice detergentes o disolventes agresivos para limpiar las piezas de plástico o las asas.
- Mantenga el cabezal de corte libre de hierba, hojas o grasa excesiva.
- Mantenga los respiraderos limpios y libres de residuos para evitar el sobrecalentamiento y daños al motor o la batería.
- No pulverice agua sobre el motor ni los componentes eléctricos.

Sustitución del hilo de nailon

⚠ ADVERTENCIA

Utilice guantes o podría sufrir lesiones personales:

- *La cuchilla de corte está afilada.*

⚠ ADVERTENCIA

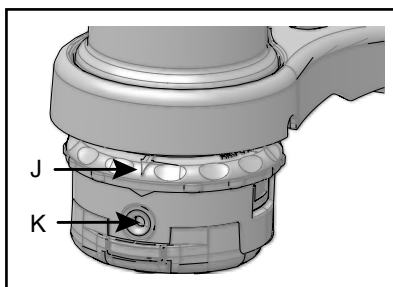
Nunca utilice hilo o alambre que pueda romperse y convertirse en un "proyectil" peligroso. Pueden producirse lesiones graves.

1. Corte un trozo de hilo a la longitud recomendada.

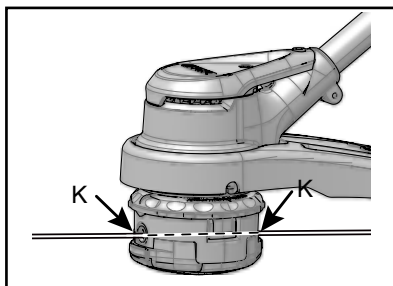
2,0 mm (0,080 in.) diámetro 6 m (20 ft.).

2,4 mm (0,095 in.) diámetro 6 m (20 ft.).

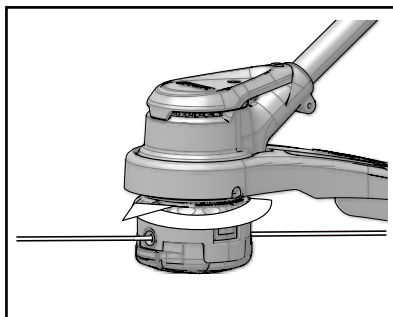
2. Alinee las flechas (J) de la parte superior del mando con las aberturas (K).



3. Inserte un extremo del hilo de corte en una abertura (K) e introduzca hilo una distancia equivalente por el cabezal de corte.



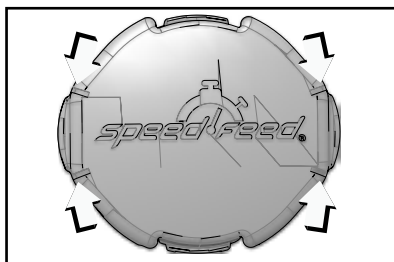
4. Sujete el cabezal de corte mientras gira el mando en sentido horario para enrollar el hilo en el carrete hasta que queden expuestos unos 13 cm (5 in.) de cada hilo.



El cabezal de corte está ahora totalmente cargado y listo para funcionar.

AVISO

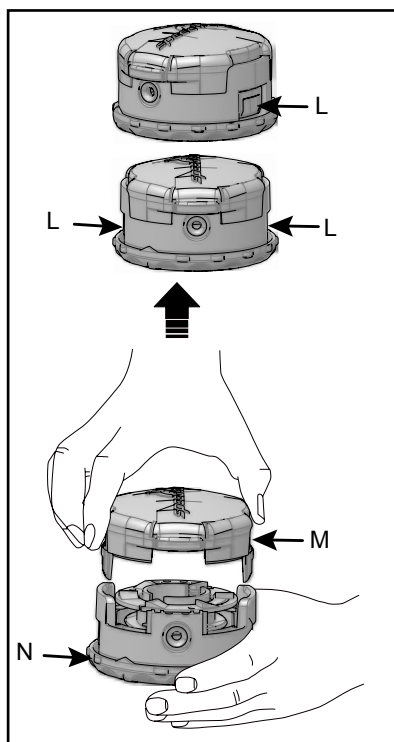
Cuando los indicadores de desgaste situados en la parte inferior del cabezal Speed-Feed® están desgastados, o si aparecen orificios, es necesario sustituir la cubierta o todo el cabezal Speed-Feed®.



Instrucciones de desmontaje del cabezal del hilo de corte

Nota: Para un uso normal, el desmontaje del cabezal Speed-Feed® no es necesario. No obstante, si las circunstancias requieren el desmontaje, siga estas instrucciones.

1. Presione la parte superior de las pestañas de bloqueo (L) a ambos lados del cabezal Speed-Feed® para liberar la cubierta (M) del portador de la abertura (N).



2. Retire la cubierta del portador de la abertura.

SOLUCIÓN DE PROBLEMAS

Problema	Posible causa	Solución
La máquina no se pone en marcha cuando aprieta el interruptor gatillo.	No hay contacto eléctrico entre la máquina y la batería.	1. Retire la batería. 2. Compruebe el contacto e instale de nuevo la batería.
	La batería se ha agotado.	Cargue la batería.
	La palanca de desbloqueo y el interruptor gatillo no se presionan al mismo tiempo.	1. Pulse la palanca de desbloqueo y manténgala. 2. Apriete el interruptor gatillo para arrancar la máquina.
La máquina se detiene cuando corta.	La protección contra residuos no está fijada a la máquina.	Retire la batería y fije la protección contra residuos en la máquina.
	Se utiliza un hilo de corte pesado.	Utilice únicamente con el hilo de corte de nailon de 0,095" de diámetro o inferior.
	La hierba se enrolla alrededor del eje del motor o del cabezal de corte.	1. Detenga la máquina. 2. Retire la batería. 3. Retire la hierba del eje del motor y del cabezal de corte.
	El motor se ha sobrecargado.	1. Retire el cabezal de corte de la hierba. 2. El motor se recuperará para funcionar en cuanto se retire la carga. 3. Cuando corte, mueva el cabezal de corte hacia dentro y fuera de la hierba que va a cortar y quite no más de 20 cm (8") en cada pasada.
	La batería o la máquina está demasiado caliente.	1. Deje enfriar la batería hasta que el funcionamiento vuelva a la normalidad. 2. Deje enfriar la máquina durante aproximadamente 10 minutos.
	La batería se ha desconectado de la herramienta.	Instale de nuevo la batería.
	La batería se ha agotado.	Cargue la batería.

Problema	Posible causa	Solución
El hilo no avanza.	Los hilos se han quedado soldados.	Lubrique con espray de silicona.
	No hay suficiente hilo en el carrete.	Instale más hilo.
	Los hilos se desgastan y son demasiado cortos.	Avance el hilo de corte.
	Los hilos están enredados en el carrete.	1. Retire los hilos del carrete. 2. Enrolle los hilos.
El hilo se rompe continuamente.	La máquina se está utilizando incorrectamente.	1. Corte con la punta del hilo, evite piedras, paredes y otros objetos duros. 2. Avance el hilo de corte periódicamente para mantener el ancho de corte completo.
La hierba se enrolla alrededor del cabezal de corte y de la carcasa del motor.	Corte la hierba alta al nivel del suelo.	1. Corte la hierba alta de arriba a abajo. 2. No quite más de 20 cm (8") en cada pasada para evitar que se enrolle.
El hilo no corta bien.	La cuchilla de corte se ha desafilado.	Afile la cuchilla de corte con una lima o sustitúyala.
Vibración considerable.	La longitud del hilo en un lado es más larga que en el otro.	Asegúrese de que el hilo a ambos lados sea de igual longitud. Avance el hilo.

ALMACENAMIENTO

Almacenamiento tras el uso

Cuando almacene el producto durante largos periodos de tiempo, asegúrese de realizar los siguientes preparativos para el almacenamiento.

Cortahierba

No almacene su unidad sin realizar un mantenimiento de protección para el almacenamiento que incluya lo siguiente:

- Apague la alimentación de la unidad.
- Retire la batería del cortahierba.
- Elimine la acumulación de suciedad y residuos del exterior de la unidad.
- Apriete todos los tornillos y tuercas.
- Cubra el compartimento de la batería del cortahierba.
- Almacene la unidad en un lugar seco, sin polvo y lejos del alcance de los niños.

Batería

- Retire la batería del cortahierba.
- Almacene en un lugar seco, sin polvo y lejos del alcance de los niños.
- Almacene a temperaturas entre 32 °F (0 °C) y 113 °F (45 °C).
- Si la batería se ha almacenado durante más de un año, cárguela al 100% de su capacidad.

Cargador

- Retire la batería del cargador.
- Desconecte el cargador del suministro eléctrico.
- Almacene en un lugar seco, sin polvo y lejos del alcance de los niños.

ESPECIFICACIONES

MODELO	DSRM-2100
Longitud	1700 mm (66,93 in.)
Anchura	295 mm (11,61 in.)
Altura	230 mm (9,06 in.)
Peso (sin batería)	3,4 kg (7,5 lbs.)
Peso (con batería)	4,42 kg (9,75 lbs.)
Varilla de funcionamiento	Tubo de aluminio de 25,0 mm
Dirección de rotación	Sentido antihorario; visto desde arriba
Cabezal de corte	Cabezal de hilo de nailon Speed-Feed®
Asa	Delantera - bucle, Asa trasera
Tipo	Inalámbrico, con funcionamiento a batería
Motor	56V
Velocidad sin carga	6000/5000 ±10% RPM
Diámetro de hilo de corte	2,4 mm (0,095 in.)
Diámetro de recorrido de corte	406 mm (16 in.) / 356 mm (14 in.)
Tipo de alimentación	Avance por sacudida
Modelo de batería	Batería de la serie de baterías ECHO eFORCE™ 56V
Tipo	Li-ion
Tensión	56 (nominal 50,4)
Tipo de cargador	CCCV
Tensión de entrada del cargador	AC 120
Modelo de cargador	Cargador para serie de batería ECHO eFORCE™ 56V
Tiempo de carga	Consulte el manual del operario de la batería

REGISTRO DEL PRODUCTO

Gracias por elegir un equipo eléctrico de ECHO

Vaya a <http://www.echo-usa.com/Warranty/Register-Your-ECHO> para registrar su nuevo producto en línea. ¡Es RÁPIDO y FÁCIL! NOTA: su información nunca será vendida ni mal empleada por ECHO Incorporated.

El registro de su compra nos permite ponernos en contacto con usted en el improbable caso de que se produzca una actualización de servicio o una retirada del producto, y verifica su propiedad para la consideración de la garantía.

Si no tiene acceso a Internet, puede rellenar el siguiente formulario y enviarlo por correo a:

ECHO Incorporated, Product Registration, PO Box 1139, Lake Zurich, IL 60047.



PRODUCT REGISTRATION CARD : TARJETA DE REGISTRO : CARTE D'ENREGISTREMENT DU PRODUIT

ONLINE OPTION: Register online and save a stamp! You will be alerted of product updates and/or be sent new ECHO product information and special offers. Simply go to: www.echo-usa.com

OPCION POR INTERNET: Regístrese en la página web y ahorre una estampilla. Le alertarán sobre actualizaciones del producto y/o se le enviara información sobre los nuevos productos ECHO y las ofertas especiales. Simplemente visite: www.echo-usa.com

OPTION EN LIGNE: Enregistrez en ligne et épargnez un timbre! Vous serez informé sur les nouveaux produits ECHO et les mises à jour de produit ainsi que les offres spéciales. Simplement visitez le: www.echo-usa.com

Please Print : Por Favor Escribe Con Letra De Molde : En Lettre Carré S.V.P.

Confidential: Information provided will not be shared or sold

Purchaser's Name : Nombre del Comprador : Nom de l'acheteur

Primary use of tool: Professional Homeowner Rental Equip.
 Uso primario de la herramienta: Profesional Dueño de casa Alquiler
 Usage principal: Professionnel Résidentiel Location

Address : Dirección : Adresse

Do you wish to receive periodic ECHO product information and special offers by e-mail? Yes No

¿Desea usted recibir información periódica y ofertas especiales por correo electrónico sobre el producto ECHO? Yes No

City : Ciudad : Ville

State : Estado : Province

Zip Code : Código Postal : Code Postal

Souhaitez-vous recevoir périodiquement de l'information sur les produits ECHO et les offres spéciales par courrier électronique? Oui Non

E-Mail Address : Dirección De Correo Electrónico : Courrier Electronique

Did you visit the ECHO website before purchasing your product?
 Yes No

Visité(s) usted la página web ECHO antes de comprar su producto?

Si No

Avez-vous visité le site d'ECHO avant de procurer votre produit?

Oui Non

Phone Number : Número De Teléfono : Téléphone

What factor(s) most influenced your purchase?
 Performance Price Dealer
 Reliability Prior Experience Quality
 Friend/Family Brand Warranty

Where Purchased : Nombre del Almacén donde fue Comprado : Lieu d'achat

¿Qué factor(es) influenció más en su compra?
 Funcionamiento Precio Distribuidor
 Confiabilidad Experiencia Anterior Calidad
 Amigo/Familia Marca Garantía

Model Number : Número del Modelo : No. de modèle Serial Number : Número de Serie : No. de série

Registering your purchase enables us to contact you in the unlikely event of a service update or product recall and verifies your ownership in the event of loss. El registrar su compra nos permite estar en contacto con usted en caso de cualquier evento como el aviso de tiempo de servicio o la revocación del producto y verificación de propiedad en caso de robo o pérdida. L'enregistrement de votre achat nous permettra de vous contacter dans le cas improbable de modifications des instructions d'utilisation ou de rappel du produit et vérifier que vous êtes le propriétaire en cas de vol ou de perte.

ECHO INC., 400 Oakwood Rd., Lake Zurich, IL 60047
 1.800.432.ECHO WWW.ECHO-USA.COM

X7572270206 02-2012



GARANTÍA

Declaración de garantía limitada para ECHO de 56 voltios Productos vendidos en EE.UU. y Canadá

ECHO Incorporated garantiza al comprador minorista original, que este producto ECHO de 56 voltios diseñado para ambientes exteriores está libre de defectos de material y manufactura, y acepta reparar o reemplazar a su entera discreción cualquier producto defectuoso de forma gratuita, dentro de los siguientes plazos a partir de la fecha de compra:

- Si el producto es para uso doméstico:
 - Unidades y herramienta sin accesorios – 5 años
 - Batería o cargador – 2 años
- Si el producto es para uso comercial:
 - Unidades y herramienta sin accesorios – 2 años
 - Batería o cargador – 2 años
- Si el producto se destina para alquilar: 90 días para todas las unidades, baterías y cargadores.
- Los accesorios de corte, entre otros, barras, cadenas, engranajes, cuchillas, unidades de filos dentados, correas, PowerBroom™ y cabezales de nylon para podadora, con fines de uso doméstico o no destinados a usufructo, tendrán garantía por desperfectos debidos al material o la manufactura durante un periodo de 60 días a partir de la fecha de compra del producto original, y por 30 días si su uso es comercial o para alquilar. Cualquier uso indebido relacionado con el contacto con concreto, rocas u otras estructuras, no está cubierto por esta garantía.

Esta garantía se extiende solo al comprador minorista original y tiene validez a partir de su fecha de compra.

Cualquier pieza de este producto que bajo criterio sensato por parte de ECHO Incorporated, se considere defectuosa en su material de fabricación o manufactura, será reparada o reemplazada sin cargo alguno por cuenta de los repuestos y la mano de obra consecuente, por parte de un distribuidor autorizado de ECHO. Las unidades, repuestos y accesorios reemplazados bajo esta garantía, están cubiertos solo por el resto del período de garantía original.

El producto, incluida cualquier pieza defectuosa, debe devolverse a un Distribuidor ECHO dentro del período de garantía. El costo de entregar el producto al centro de servicio para el trabajo de garantía, así como el que se

genere por su devolución al propietario después de su reparación o reemplazo, será pagado por el propietario. La responsabilidad de ECHO Incorporated con respecto a los reclamos se limita a realizar las reparaciones o reemplazos necesarios, y ningún reclamo por incumplimiento de la garantía, será motivo de cancelación o rescisión del contrato de venta que cubra cualquier producto marca ECHO de 56 voltios, diseñado para ambientes exteriores. El concesionario requerirá un comprobante de compra para justificar cualquier reclamo de garantía. Todo trabajo de garantía debe ser realizado por un distribuidor autorizado de ECHO.

Esta garantía no cubre ninguna unidad, batería o cargador que haya sido objeto de mal uso, descuido, negligencia o accidente, o que haya sido operado de cualquier manera contraria a las instrucciones de funcionamiento especificadas en

Esta garantía no cubre daños a cargadores o baterías por tensión de carga incorrecta y baterías que hayan estado expuestas a temperaturas superiores a las especificadas en el Manual del Operador, baterías que no hayan sido cargadas correctamente o baterías que hayan alcanzado su vida útil.

Esta garantía no cubre ningún daño al producto que sea el resultado de un mantenimiento inadecuado, ni cualquier producto que haya sido alterado o modificado. La garantía no cubre reparaciones necesarias debidas al desgaste normal, o por el uso de repuestos o accesorios que sean inadecuados para el producto de marca ECHO de 56 voltios, diseñado para ambientes exteriores, o que afecten negativamente su funcionamiento, rendimiento o durabilidad.

Además, esta garantía no cubre el desgaste de piezas comunes, entre otras:

Piezas de desgaste: perillas cóncavas, carcasas de carretes, líneas de corte, bobinas interiores, arandelas de fieltro, pasadores de enganche, cuchillas para triturado y distribución de poda, aspas de ventilador, tubería para ventilación y aspiración, bolsa de aspiración y correas, barras guía, motosierras, Bolsa para captura de césped, cuchillas para corta de setos y ruedas.

ECHO Incorporated, se reserva el derecho de cambiar o mejorar el diseño de este producto sin asumir ninguna obligación de modificar ningún producto previamente fabricado.

Todas las garantías implicadas están limitadas en tiempo, al período de garantía establecido. En consecuencia, cualquiera de las garantías involucradas de este tipo incluyendo la comerciabilidad y la idoneidad para un propósito particular o de otro tipo, se desconoce en su totalidad después del vencimiento del período de garantía correspondiente a 5, 2 y 1 año, o de 90, 60 o 30 días. La responsabilidad de ECHO Incorporated en virtud de esta garantía se limita estricta y exclusivamente, a la reparación o sustitución

de piezas defectuosas. ECHO Incorporated, no asume ni autoriza a persona alguna a asumir en su nombre, cualquier compromiso diferente. Algunos estados no permiten restricciones en el tiempo de vigencia de una garantía implicada, por lo que la condición anterior puede no ser pertinente en su caso. ECHO Incorporated, no asume responsabilidad alguna por daños circunstanciales, indirectos, o de otro tipo, incluyendo, entre otros, gastos de devolución del producto a un distribuidor autorizado, relacionados con productos marca ECHO de 56 voltios, diseñados para ambientes exteriores, ni por gastos de devolución al propietario, tiempo de viaje del mecánico, cargos telefónicos, alquiler de un producto similar durante el tiempo que se realiza el servicio de garantía, viaje, pérdida o daño a propiedad personal, perjuicio en los ingresos, detrimento en el uso del producto, pérdida de tiempo o inconveniencia. Algunos estados no permiten la exclusión o limitación de daños circunstanciales o indirectos, por lo que la limitación o exclusión anterior puede no ser pertinente en su caso.

Esta garantía le otorga derechos legales específicos, y también puede tener otros derechos que varían de un estado a otro.

NOTAS







400SRM100001 - 400SRM999999

418SRM100001 - 418SRM999999



ECHO INCORPORATED

400 Oakwood Road

Lake Zurich, IL 60047

www.echo-usa.com