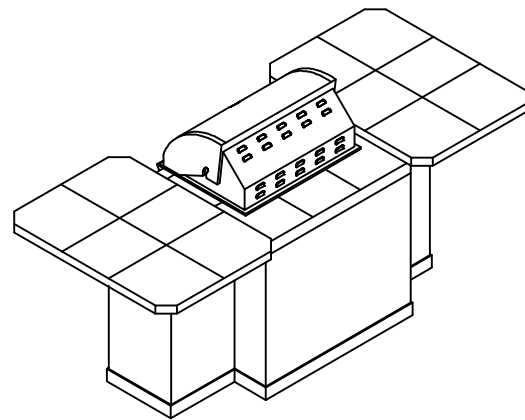
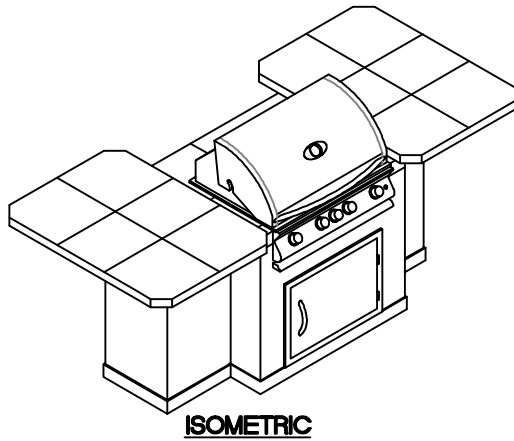
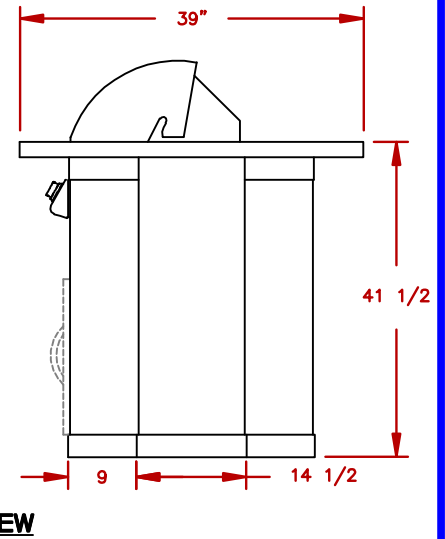
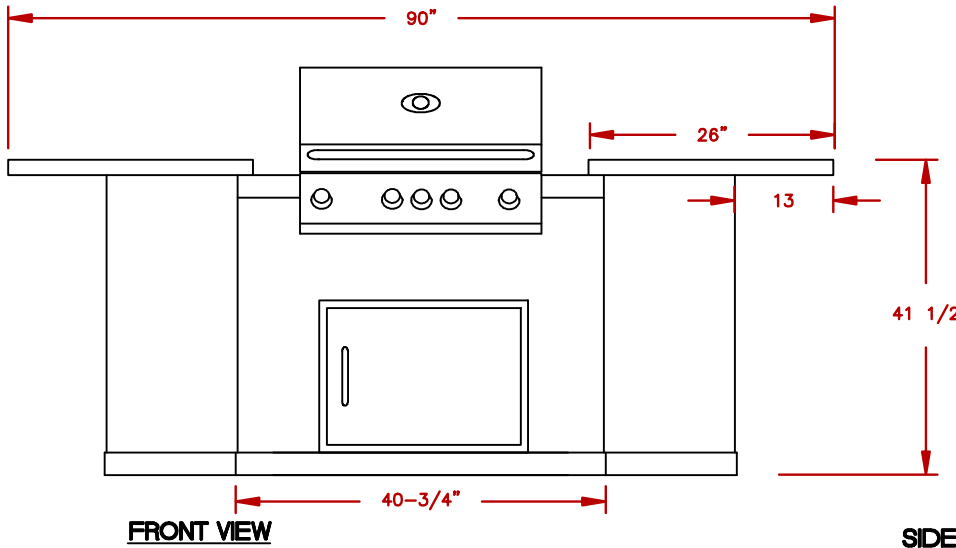
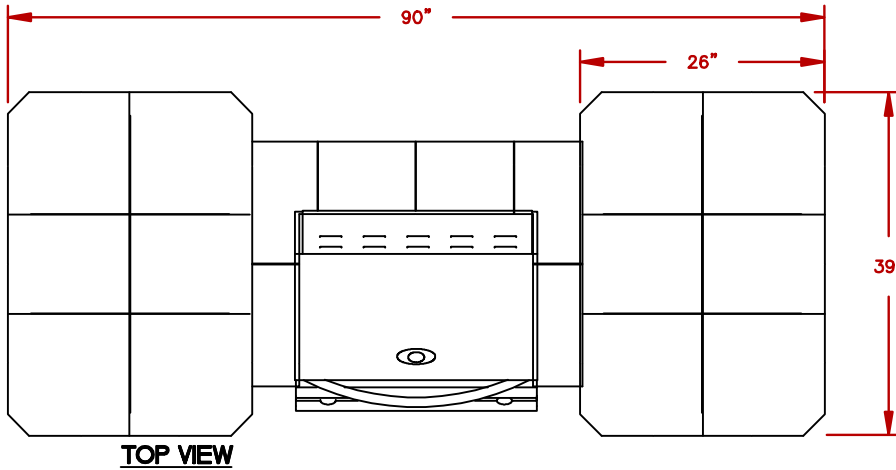


LINE	BBQ LINE
MODEL	BISTRO 404
REF.	



STANDARD FEATURES		
QTY	SYMB.	DESCRIPTION
-	(A)	PORCELAIN TILE 12X12
-	(B)	AMERISTONE STUCCO
-	(C)	3" BOTTOM TRIM (TILE ONLY)
1	(D)	4 BURNER G4 LP
1	(G)	27" ACCESS DOOR

NOTE:
DUE TO OUR CONTINUOUS IMPROVEMENT PROGRAM, ALL MODELS
AND SPECIFICATIONS ARE SUBJECT TO CHANGE WITHOUT NOTICE.



TITLE 2018 BARBECUE LINE
BISTRO SERIES
BISTRO 404

SCALE:

DWG NO.

DWG BY

J.ORNELAS

REVISED
A

REV. DESCR.

DATE

3/1/2018