

FREEMAN

FREEMAN

**MODEL: PFL618BR/
PFL618C**

3 IN 1 FLOORING NAILER FOR STAPLES, T AND L CLEATS

- [HTTP://WWW.FREEMANTOOLS.COM](http://www.freemantools.com)
- 1-888-669-5672
- PRIME GLOBAL PRODUCTS, INC.



WARNING:

Failure to follow warnings could result in DEATH OR SERIOUS INJURY.

SAVE THIS MANUAL FOR FUTURE REFERENCE

- [HTTP://WWW.FREEMANTOOLS.COM](http://www.freemantools.com)
- 1-888-669-5672
- PRIME GLOBAL PRODUCTS, INC.

GENERAL SAFETY RULES	P3
UNPACKING	P5
FEATURES	P5
OPERATION	
PREPARE THE TOOL	P6
LOADING T CLEAT NAILS	P7
LOADING L CLEAT NAILS	P8
LOADING STAPLES	P8
UNLOADING CLEAT NAILS AND STAPLES	P9
CHANGING THE FOOT PLATE	P10
SETTING THE AIR PRESSURE	P10
OPERATING THE TOOL	P10
CLEARING JAMS	P12
MAINTENANCE	P12
RECOMMENDED HOOKUP	P14
TROUBLESHOOTING	P15
WEARABLE PARTS	P16
WARRANTIES	P16

 **WARNING:**

The warnings and precautions discussed in the manual cannot cover all possible conditions and situations that may occur. It must be understood by the user that common sense and caution are factors which cannot be built into this product, but must be supplied by the user.

SAVE THIS MANUAL



- Keep this manual for the safety warnings, precautions, operations, inspections and maintenance. Keep this manual and the receipt in a safe and dry place for future reference.

 **WARNING:**

To avoid serious personal injury, do not attempt to use this product until you read the manual thoroughly and understand it completely. Save this manual and review frequently for continuing safe operation and instructing others who may use this tool.


SYMBOLS

- In this manual, on the follow labels, packages and all other information provided with this tool. The following signal words and meanings are intended to explain the levels of risk associated with this tool.


SYMBOLS	SIGNAL	MEANING
	WARNING:	Indicates a potentially hazardous situation, which, if not avoided, could result in death or serious injury.
	CAUTION:	Indicates a potentially hazardous situation, which, if not avoided, may result in minor or moderate injury.
	CAUTION:	(Without symbol) Indicates a situation that may result in property damage.

GENERAL SAFETY RULES

INSTRUCTIONS PERTAINING TO A RISK OF FIRE, ELECTRIC SHOCK, OR INJURY TO PERSONS.

 **WARNING:**
When using tools, basic precautions should always be followed, including the following:

CALIFORNIA PROPOSITION 65

 **WARNING:**
This product can expose you to chemicals including lead, which is known to the State of California to cause cancer. For more information go to www.P65Warnings.ca.gov.

WORK AREA

- **Keep the work area clean and well lit.** Cluttered benches and dark areas increase the risks of accidents.
- **Do not operate the tool in explosive atmospheres, such as in the presence of flammable liquids, gases, or dust.** The tool creates a spark which may ignite flammable liquids, gases or dust.
- **Keep bystanders, children, and others away while operating the tool.** Distractions could result in improper use and cause injury.
- **Avoid unintentional misfires.** Always use caution to avoid accidentally firing. Do not point at yourself or anyone else regardless if it contains fasteners or not.

PERSONAL SAFETY

- **Always wear eye protection.** Operator and others in the work area should always wear ANSI-approved safety goggles with side shields. Eye protection is used to guard against flying fasteners and debris, which may cause severe eye injury.
- **Always wear hearing protection when using the tool.** Prolonged exposure to high intensity noise may cause hearing loss.
- **Use safety equipment.** A dust mask, non-skid safety shoes and a hard hat must be used for the applicable conditions. Wear a full face shield if you are producing metal filings or wood chips.
- **Dress properly.** Do not wear loose clothing or jewelry. Contain long hair. Keep your long hair, clothing, and gloves away from moving parts. Loose clothes, jewelry, or long hair can be caught in moving parts.
- **Stay alert, watch what you are doing and use common sense when operating a power tool.** Do not use tool while tired or under the influence of drugs, alcohol, or medication. A moment of inattention while operating the tool may cause serious injury.
- **Avoid unintentional firing.** Keep fingers away from the hammer when not driving fasteners, especially when connecting the tool to the air supply.
- **Keep proper footing and balance at all times.** Proper footing and balance enables better control of the tool in unexpected situations.
- **Do not use on a ladder or unstable supports.** Stable footing on a solid surface enables better control of the tool in unexpected situations.
- **Make sure the hose is free of obstructions or snags.** Entangled or snarled hoses can cause loss of balance or footing and may become damaged, resulting in possible injury.

- **Wash hands after handling.** This product or its power cord may contain chemicals known to the State of California to cause cancer and birth defects or other reproductive harm.

TOOL USE AND CARE

- **Know this tool.** Read manual carefully, learn its applications and limitations, as well as the specific potential hazards related to this tool.
- **Only use fasteners that are recommended for your tool model.** Do not use the wrong fasteners or load the fasteners incorrectly.
- **Check for misalignment or binding of moving parts, breakage of parts, and any other condition that may affect the tool's operation.** If damaged, have the tool serviced before using. Many accidents are caused by poorly maintained tools.
- **Maintain tools with care.** Keep the tool clean. A properly maintained tool, reduces the risk of binding and is easier to control.
- **Store tools out of the reach of children and other untrained people.** Tools are dangerous in the hands of untrained users.
- **Check operation of the tool before use.**
- **Do not force the tool.** Use the correct tool for your application. The correct tool will do the job better and safer at the rate for which it is designed.
- **Use clamps or another practical way to secure and support the workpiece to a stable platform.** Holding a tool by hand or against the body is unstable and may lead to loss of control.
- **Keep the tool and its handle dry, clean and free from oil and grease.** Always use a clean cloth when cleaning. Never use brake fluids, gasoline, petroleum-based products, or any strong solvents to clean your tool.
- **Do not use the tool as a hammer.**
- **Never use this tool in a manner that could cause a fastener to be directed toward anything other than the workpiece.**
- **Never use gasoline or other flammable liquids to clean the tool.** Never use the tool in the presence of flammable liquids or gases. Vapors could ignite by a spark and cause an explosion which will result in death or serious personal injury.
- **Always fit tool with a fitting or hose coupling on or near the tool in a way that all the remaining compressed air in the tool is discharged at the time the fitting or hose coupling is disconnected.** Do not use a check valve or any other fitting which allows air to remain in the tool. Death or serious personal injury could occur.

- **Never carry the tool by the air hose or pull the hose to move the tool or a compressor.** Keep hoses away from heat, oil and sharp edges. Replace any hose that is weak, worn, or otherwise damaged. Personal injury or tool damage could occur.
- **Always assume the tool contains fasteners.** Respect the tool as a working implement; no horseplay.
- **Do not drop or throw the tool.** Dropping or throwing the tool can result in damage that will make the tool unusable or unsafe. If the tool has been dropped or thrown, examine the tool closely for an air leak or bent, cracked or broken parts. STOP and repair before using, or serious injury could occur.
- **Avoid using the tool when the magazine is empty.** Accelerated wear on the tool may occur.
- **Clean and check all air supply hoses and fittings before connecting the tool to an air supply.** Replace any damaged or worn hoses or fittings. Tool performance or durability may be reduced.
- **Always carry the tool by the handle. Never carry the tool by the air hose.**
- **Do not use the tool if it leaks air or does not function properly.**
- **Do not operate the tool if it does not contain a legible warning label.**

TOOL SERVICE

- **Only use accessories that are identified by the manufacturer for the specific tool model.**
- **Use of unauthorized parts or failure to follow maintenance instructions may create a risk of injury.**
- **Only use the lubricants supplied with the tool or specified by the manufacturer.**
- **Tool service must be performed only by qualified repair personnel.**

OPERATION

- **Do not drive fasteners near the edge of workpiece.** The workpiece may split causing the fastener or ricochet, potentially injuring you or people around you.
- **Do not drive fasteners on top of other fasteners or with the tool at an overly steep angle as this may cause deflection of fasteners which could cause injury.**
- **Do not actuate the tool unless you intend to drive a fastener into the workpiece.**
- **Always handle the tool with care:**
 - ◆ Respect the tool as a working implement.
 - ◆ Never engage in horseplay.
 - ◆ Keep others a safe distance from the tool

while tool is in operation as accidental actuation may occur, possibly causing injury.

AIR SUPPLY AND CONNECTIONS

- **The connector on the tool must not hold pressure when air supply is disconnected.** If an incorrect fitting is used, the tool can remain charged with air after disconnecting and thus will be able to drive a fastener even after the air line is disconnected, possibly causing injury.
- **Do not use oxygen, combustible gases or bottled gases as a power source for this tool. An explosion may occur, causing injury or death.**
- **Do not use any type of reactive gases, including, but not limited to, oxygen and combustible gases, as a power source.** Use filtered, lubricated, and regulated compressed air only. Use of a reactive gas instead of compressed air may cause the tool to explode which will cause death or serious personal injury.
- **Use only a pressure-regulated compressed air source to limit the air pressure supplied to the tool.** The regulated pressure must not exceed 115 psi. If the regulator fails, the pressure delivered to the tool must not exceed 115 psi. The tool could explode which will cause death or serious personal injury.
- **Always disconnect air source:**
 - ◆ Before unloading or making adjustments.
 - ◆ When maintaining the tool.
 - ◆ When clearing a jam.
 - ◆ When touching the safety yoke.
 - ◆ When tool is not in use.
 - ◆ When moving to a different work area.

Such precautionary measures reduce the risk of injury to persons.

LOADING TOOL

- **Do not load the tool with fasteners when any one of the operating controls is activated.**
- **Never place a hand or any part of body in fastener discharge area of tool.**
- **Never point tool at anyone.**

▲ WARNING:
The warnings and precautions discussed above cannot cover all possible conditions and situations that may occur. It must be understood by the user that common sense and caution are factors which cannot be built into this product, but must be supplied by the user.

UNPACKING

- This tool has been shipped completely assembled.
- Carefully remove the tool and any accessories from the box.
- Inspect the tool carefully to make sure no breakage or damage occurred during shipping.
- Do not discard the packing material until you have carefully inspected and satisfactorily operated the tool.
- If any parts are damaged or missing, please call 1-888-669-5672.

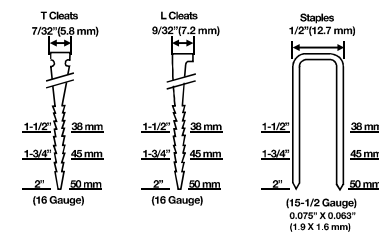
▲ WARNING:
If any parts are missing do not operate this tool until the missing parts are replaced. Failure to do so could result in possible serious personal injury.

▲ WARNING:
Do not attempt to modify this tool or create accessories not recommended for use with this tool. Any such alteration or modification is misuse and could result in hazardous condition leading to possible serious personal injury.

FEATURES

SPECIFICATIONS

Operation pressure:	70–115psi
Magazine capacity:	L: 100pcs T: 100pcs U: 120pcs
Tool weight:	11.46 lbs
Air inlet:	1/4 inch NPT
Fasteners:	1–1/2 inch to 2 inch



Compatible with generic brands of 1/2 inch staples, T-cleats & L-cleats.

FEATURES

- **REVOLUTIONARY 3 IN 1 DESIGN.**
For use with Staples, T-Cleats and L-Cleats.
- **NO-MAR DESIGN**
Provides increased protection from marring when working with a finished flooring surface.
- **ERGONOMICALLY DESIGNED HANDLE.**
For ease of operation and reduced fatigue.
- **ANODIZED ALUMINUM MAGAZINE**
For long lasting durability.
- **DURABLE CONSTRUCTION.**
Light weight and durably constructed of high-strength aluminum and heat treated steel parts.
- **MALLET INCLUDED.**

OPERATION

PREPARE THE TOOL

- PFL618BR is shipped with arm part pre-attached.
- PFL618C is shipped with arm part detached from the main body. Assemble the arm part on the tool if it's necessary. (See figure 1 & 2&3)

Figure 1

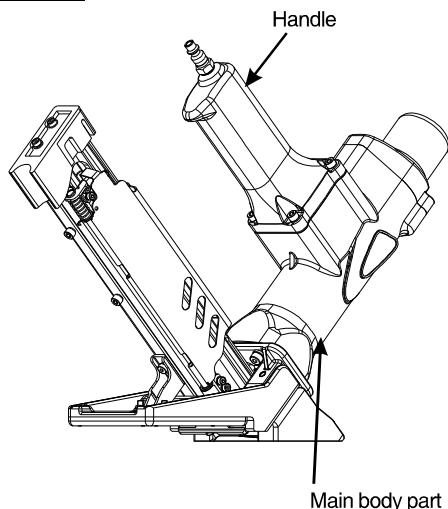
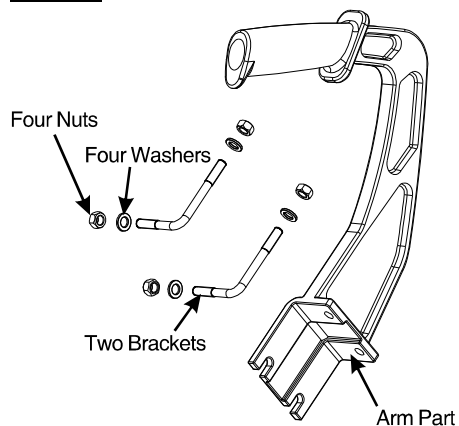


Figure 2



NOTE:

Make sure all items listed above in the picture are included in the package, if not, call 1-888-669-5672.

Follow these instructions to prepare the tool for using:

1. Set the Arm against the Handle and slide the Brackets through the Arm holes slots and holes. Thread Washers and Nuts over ends of brackets.
2. Wrench-tighten the Nuts until Brackets are secured and the Arm is locked against Handle.

Figure 3

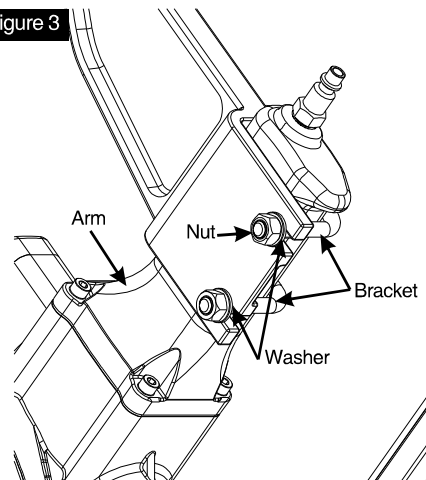
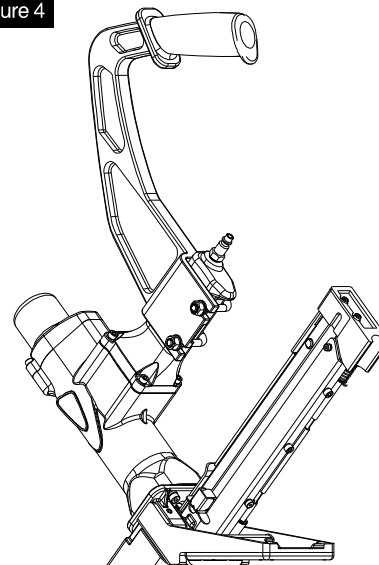


Figure 4



Prepared Flooring Nailer

⚠ WARNING:

If any parts are missing, do not operate the tool until the missing parts are replaced. Before using this tool, make sure the arm part and the main body part are screwed together tightly. Failure to do so could result in possible serious personal injury.

Figure 5

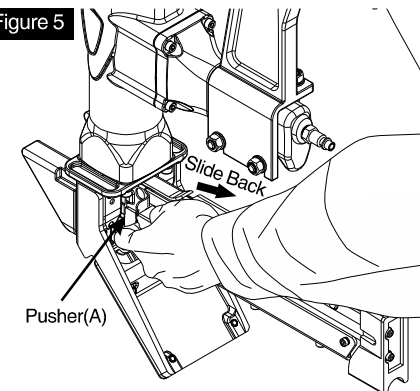
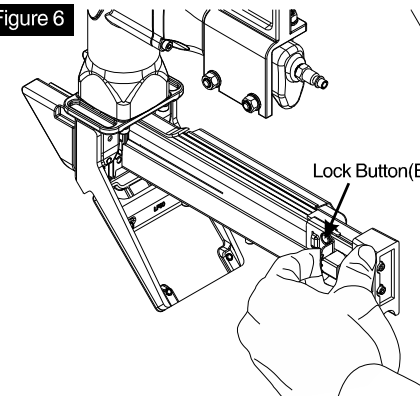


Figure 6



LOADING T CLEAT NAILS

1. Connect the tool to the air source.
2. Pull the pusher (A) back to the end of magazine. Lock the pusher in the place by using the lock button(B). (See figure 5 & 6)
3. Insert strip of T cleats into magazine from the top. Up to 100 cleat nails can be loaded into the magazine. (See figure 7)
4. Press the lock button(B), allow the pusher (A) to slide forward and engage the fastener. The pusher (A) will stop when it rests against the end of cleats. (See figure 8)

Figure 7

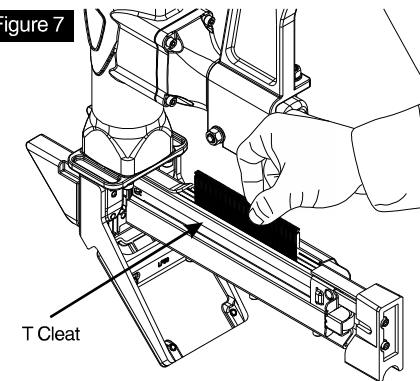
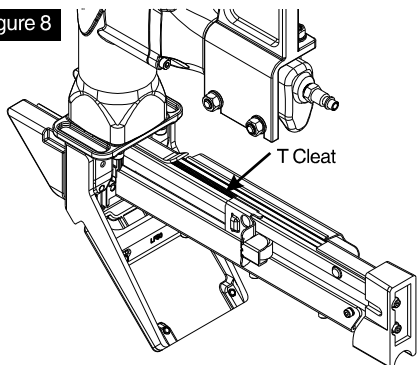


Figure 8



LOADING L CLEAT NAILS

1. Connect the tool to the air source.
2. Pull the pusher (A) back to the end of magazine . Lock the pusher in the place by using the lock button(B) . (See figure 5 & 6)
3. Insert strip of L cleats into magazine from the top. Up to 100 cleat nails can be loaded into the magazine. Noted that , when loading the L cleats, the side with the L head should be pointed to the left of the magazine. (See figure 9)
4. Press the lock button(B), allow the pusher (A) to slide forward and engage the fastener. The pusher (A) will stop when it rests against the end of cleats. (See figure 10)

Figure 9

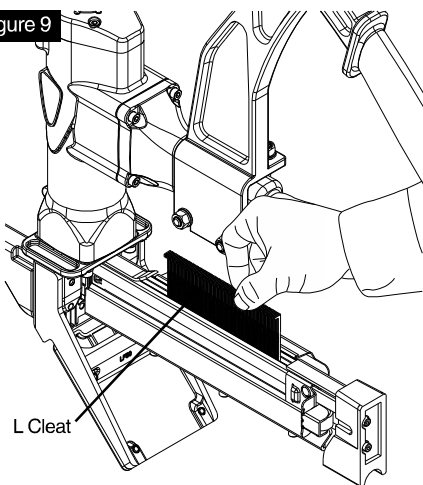
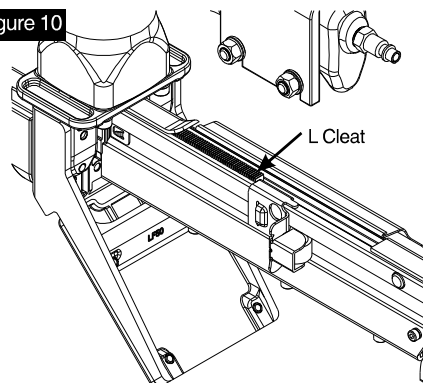


Figure 10



LOADING STAPLES

1. Connect the tool to the air source.
2. Pull the pusher (A) back to the end of magazine . Lock the pusher in the place by using the lock button (B). (See figure 5 & 6)
3. Insert a full clip of 1/2 in. crown staples into magazine from the top. You can load up to 120 pieces into the magazine.(See figure 11)
4. Press the lock button(B), allow the pusher (A) to slide forward and engage the staples. The pusher (A) will stop when it rests against the end of staples. (See figure 12 & 13)

Figure 11

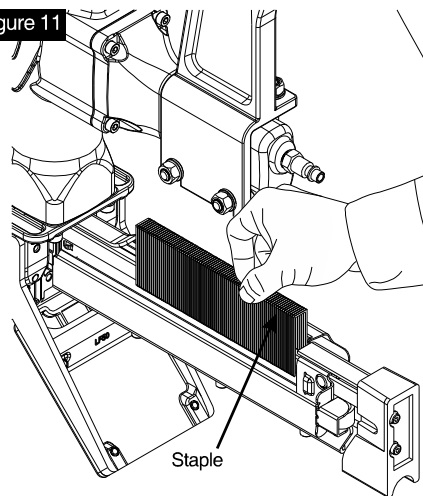


Figure 12

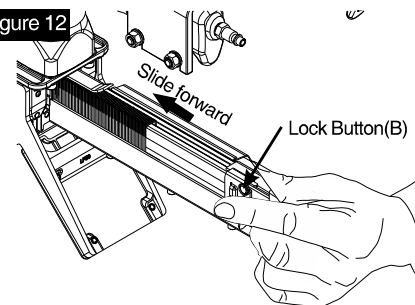
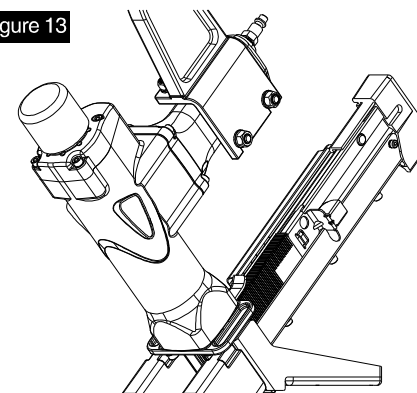


Figure 13



▲ WARNING:

The tool may fire when it is firstly connected to the air source. Always connect the tool to the air source before loading fasteners to prevent injury from unintended cycling. Always make sure the tool's magazine is empty at the beginning of each work session, before connecting to an air source.

▲ WARNING:

Only use those fasteners recommended for use with this tool. Fasteners not identified for use with this tool by the tool manufacturer can result in a risk of injury to persons or tool damage when used in this tool.

UNLOADING CLEATS AND STAPLES

1. Disconnect the tool from the air source.
2. Pull the pusher back to the end of magazine until it is locked into lock button. (See figure 14 & 15.)
3. Unload the cleats or staples from the magazine. (See figure 16 & 17 & 18.)

Figure 14

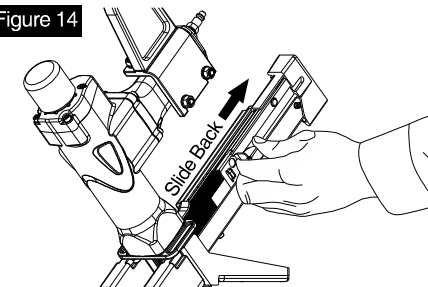


Figure 15

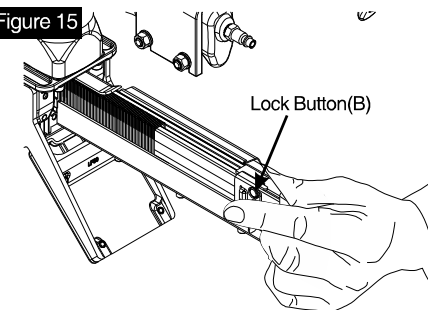
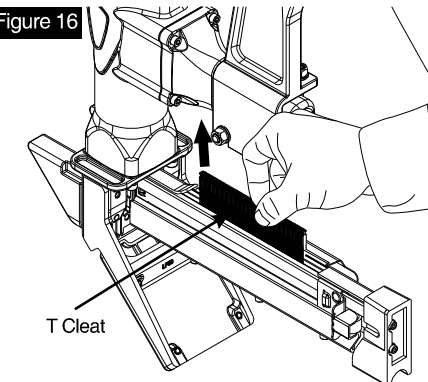
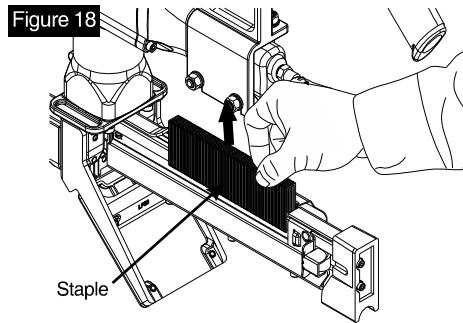
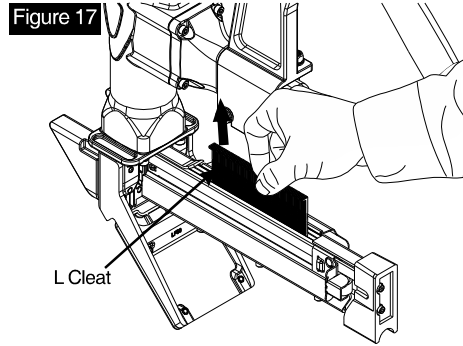
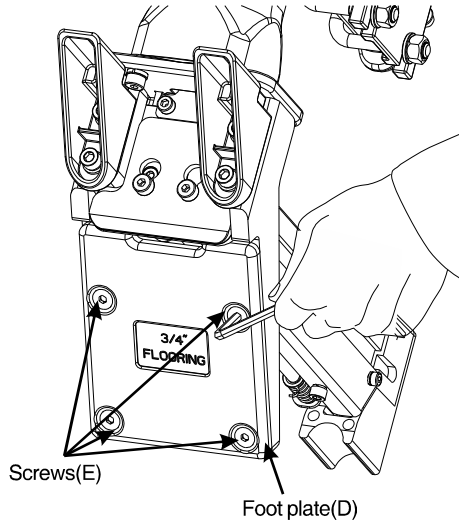


Figure 16





⚠ WARNING:
Disconnect the tool from the air source whenever changing the foot plate. Make sure there is no fastener in the magazine before changing the foot plate.



CHANGING THE FOOT PLATE

The tool is equipped with a factory pre-installed 3/4" foot plate(D), and an additional uninstalled 5/8" & 9/16" foot plate.

To change the plate:

1. Disconnect the tool from the air source.
2. Empty the magazine completely.
3. Fire the tool into a piece of scrap wood to ensure there is no compressed air or fasteners left in the tool.
4. Set the tool on its side to expose the four screws(E).
5. Remove the four screws(E), then, remove the foot plate.
6. Align the four screw holes in the replacement foot plate with the four threaded mounting holes.
7. Using the four screws you removed just now, secure the replacement foot plate to the tool.
8. Ensure the correct Foot Plate is installed by firing into a scrap piece of flooring and checking for proper fastener placement.

SETTING THE AIR PRESSURE

1. The amount of air pressure required depends on the size of the fasteners and the workpiece material.
2. Begin testing the depth of drive by driving a test nail into the same type of workpiece material used for the actual job.
3. Drive a test fastener with the air pressure set at 90–95psi.
4. Raise or lower the air pressure to find the lowest setting that will perform the job with consistent results.

OPERATING THE TOOL

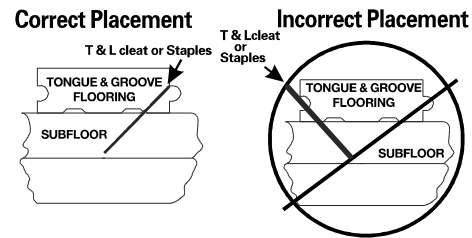
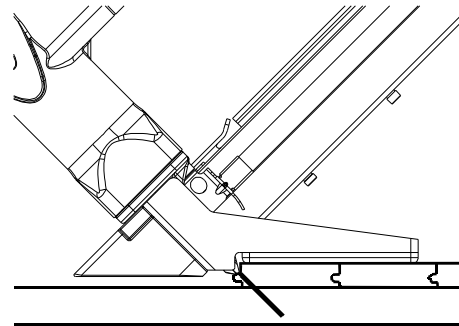
1. Attach the tool to the air source. Start your compressor and check the pressure, making sure it is set between 70–115 psi. Do not exceed the maximum 115 psi.
2. Hold the hand grip (J) securely and press the Foot Plate (D) to the work surface. Make sure the plate is over the fastener target position.

3. Press down firmly so that the foot plate (D) is firmly contacting the work surface. Then, using the mallet packed with the tool, strike the hammer cap (K) firmly to drive the fastener into work surface. Lift the tool off the work surface. Repeat this process until the job is completed.
4. When finished, make sure to store the tool in a clean, dry, safe location out of reach of children and other unauthorized people.

⚠ WARNING:
Extreme caution must be used whenever this tool is connected to an air resource. If the tool is dropped, or if the hammer cap (K) is accidentally struck, then the tool will fire a fastener, potentially causing SERIOUS PERSONAL INJURY.

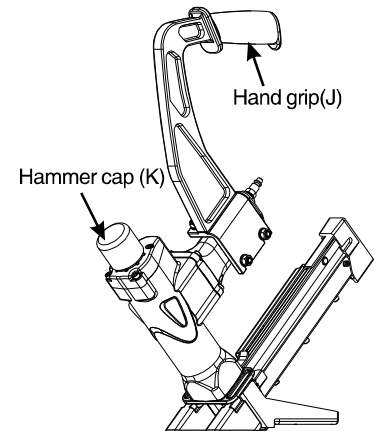
TONGUE AND GROOVE FLOORING

The flooring nailer is designed for tongue and groove flooring only. Place the nailer flush onto the work surface and ensure that you are striking at the tongue of the hardwood floor.



⚠ WARNING:
Before using the tool on a floor, test the tool on a scrap piece of wood. Adjust the driving depth by providing more or less air pressure. Never exceed 115 PSI.

⚠ WARNING:
An improperly functioning tool must not be used. Do not actuate the tool unless the tool is placed firmly against the work piece.



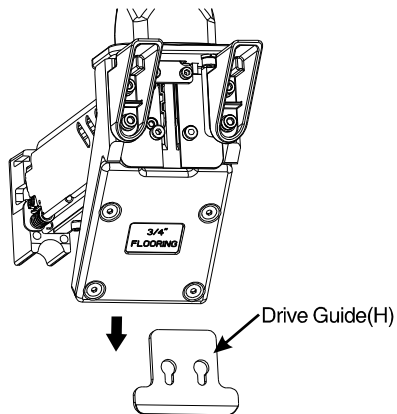
NOTE:
 Please follow your wood manufacture's guideline when doing your flooring installations.

⚠ WARNING:
Keep your feet off the tool.

CLEARING JAMS

Occasionally, fasteners may become jammed in the firing mechanism of the tool, making the tool inoperable. To remove a jammed fastener, follow these steps below:

1. Disconnect the tool from air source.
2. Empty the magazine. Make sure all fasteners are removed.
3. Try to fire the tool into a piece of scrap wood or flooring to make sure that it's incapable of firing any fasteners.
4. Set the tool on its side to expose the Bolts(I).
5. Loosen Bolts(I) and remove Drive Guide(H) to expose the jammed fastener.
6. Remove jammed fastener, using plier or a screwdriver if required.
7. Put back the Drive Guide (H) and tight up the Bolts (I).
8. Reconnect tool to the air source, then reload the tool with fasteners.
9. Press the Drive Guide (H) against a piece of wood, and test fire the fasteners several times to check for proper operation. If the tool is properly firing, you may continue using the tool. If the tool fails to perform properly, immediately discontinue use and have the tool repaired by a qualified service technician.



▲ WARNING:
 Make sure there are no fasteners in the magazine before clearing a jam.

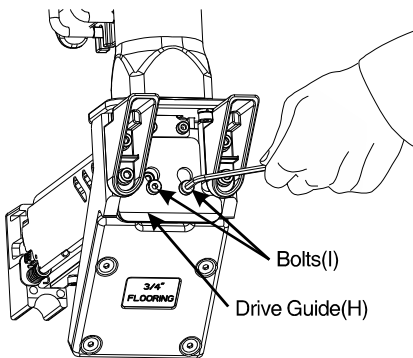
▲ WARNING:
 Disconnect the tool from the air source whenever clearing a jam. After disconnecting the tool from the air compressor, there should still be enough air pressure to fire the tool. After the air hose is disconnected, always fire the tool into scrap wood repeatedly to make sure all of the compressed air is expended.

MAINTENANCE

▲ WARNING:
 Any time inspection, maintenance, and cleaning are done:
 ◆ Disconnect the tool from the air source.
 ◆ Empty the magazine completely.

ANTI-DUST

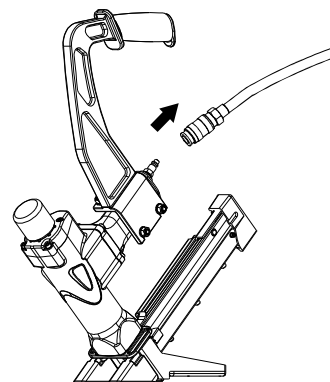
Each tool is packed with an anti-dust cap on the air connector, check it after unpacking. Keep the anti-dust cap to cover the air connector when the tool is not in use to prevent the dust.



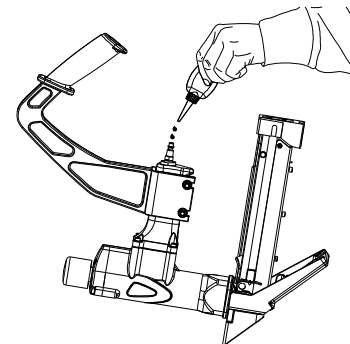
LUBRICATION

Frequent, but not excessive, lubrication is required for best performance. The oil added through the air line helps to prevent rust and lubricate the internal parts of the nailer. Do not use detergent oil or additives as these lubricants will cause accelerated wear to the seals and bumpers in the tool, resulting in poor tool performance and frequent tool maintenance.

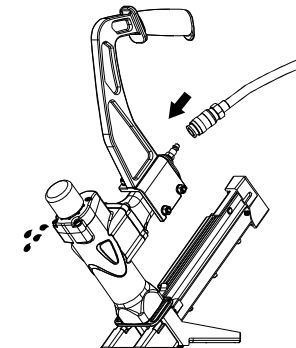
1. Disconnect the air supply from the tool to add lubricant.



2. Turn the tool so the air inlet is facing up. Place 2-3 drops of pneumatic fastening tool oil into air inlet. Do not use detergent oils, oil additives, or air -tool oils as these lubricants will cause accelerated wear to the seals and bumpers in the tool, resulting in poor tool performance and frequent tool maintenance.



3. After adding oil, run tool briefly. Wipe off any excess oil from the cap exhaust.



CAUTION:
 Lubricate tool only with specified lubricants.

CAUTION:
 The work surface can become damaged by excessive lubrication. Proper lubrication is the owner's responsibility. Failure to lubricate the tool properly will dramatically shorten the life of the tool and void your warranty.

CLEANING

Avoid using solvents when cleaning plastic parts. Most plastics are susceptible to damage from various types of commercial solvents and maybe damaged by their use. Use clean cloths to remove dirt, dust, oil, grease, etc.

▲ WARNING:
 Do not at any time let brake fluids, gasoline, petroleum-based products, penetration oils, etc. come in contact with plastic parts. Chemicals can damage, weaken or destroy plastic which may result in serious personal injury.

COLD WEATHER OPERATION

For cold weather operation, near and below freezing, the moisture in the air line may freeze and prevent tool operation. We recommend the use of air tool lubricant or permanent antifreeze (ethylene glycol) as a cold weather lubricant.

CAUTION:

Do not store tools in a cold weather environment to prevent frost or ice formation on the tool's operating valves and mechanisms that could cause tool failure.

CAUTION:

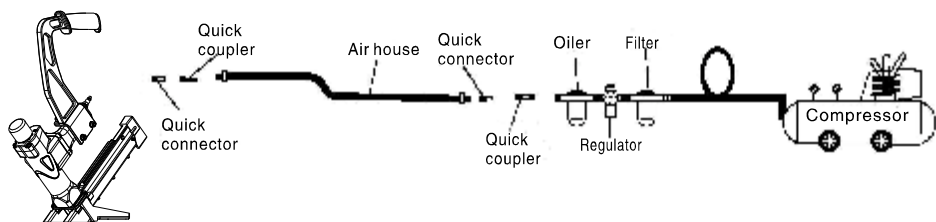
The air compressor must be able to maintain a minimum of 70psi when the tool is being used. An inadequate air supply can cause a loss of power and inconsistent driving.

CAUTION:

Do not connect with an air compressor which can potentially exceed 115psi. As tool may burst, possibly causing injury.

RECOMMENDED HOOKUP

1. The air compressor must be able to maintain a minimum of 70 psi when the tool is being used. An inadequate air supply can cause a loss of power and inconsistent driving.
2. An oiler can be used to provide oil circulation through the tool. A filter can be used to remove liquid and solid impurities which can rust or gum up internal parts of the tool.
3. Always use air supply hoses with a minimum working pressure rating equal to or greater than the pressure from the power source if a regulator fails, or 150 psi, whichever is greater. Use 3/8" air hose for runs up to 50' and use a 3/8" quick coupler on the air hose.
4. Use a pressure regulator on the compressor, with an operating pressure of 0-125 psi. A pressure regulator is required to control the operating pressure of the tool between 70 and 115 psi.



TROUBLESHOOTING

⚠ WARNING:

Stop using tool immediately if any of the following problems occur. Serious personal injury could result. Any repairs or replacements must be done by a qualified service person or an authorized service center.

PROBLEMS	POSSIBLE CAUSES	CORRECTION ACTIONS
Driving blade does not retract.	1. Zero or Low air pressure.	1. Check air supply for 70 psi minimum to 115 psi maximum.
	2. Lack of lubrication.	2. Manually lubricate through male air inlet fitting.
	3. Excessive dirt inside nailer.	3. Disassemble and clean.
	4. Bent or burred driving blade.	4. Replace driving blade.
	5. Seals worn out.	5. Replace all seals.
Driving blade retracts slowly.	1. Low air pressure.	1. Turn up air pressure to 70-115 psi max
	2. Bent or burred driving blade.	2. Replace driving blade.
	3. Air supply restricted by small orifice.	3. Use 1/4" minimum diameter air fittings.
	4. Piston O-ring worn out.	4. Replace O-ring.
	5. Excessive dirt inside nailer.	5. Disassemble, clean and lubricate.
Nail is not countersunk.	1. Low air pressure.	1. Turn up air pressure to 70-115 psi max
	2. Broken Driving Blade.	2. Replace Driving Blade.
	3. Nail hit hard surface.	3. Move from obstruction.
	4. Piston O-ring worn out.	4. Replace O-ring.
	5. Worn out nose.	5. Replace nose.
Nailer leaks air.	1. Air supply fittings loose.	1. Tighten all air line fitting connections.
	2. Excess air pressure blew out seals.	2. Check air supply for 115 psi Maximum-replace all seals.
	3. Cracked or damaged body.	3. Replace body.
	4. Seals worn out.	4. Replace all seals.
	5. Seals need to be seated.	5. Dry fire Nailer.
Bottom of nailer cracked off.	1. Operated without rubber bumper installed.	1. Replace damaged parts.
	2. Excessive air pressure used.	2. Replace damaged parts.
Nails jam in nailer.	1. Wrong size of fasteners.	1. Use 15.5 gauge 1/2" crown staples or 1-1/2" to 2" 16 Gauge L & T cleats.
	2. Continued use after a short hit.	2. Clear nail immediately after short hit.
	3. Nail pusher damaged or spring broken.	3. Replace nail pusher assembly.
	4. Nail channel lose.	4. Tighten nail channel retaining screws.
	5. Bent nail stuck in nail guide.	5. Disassemble and clear out bent nail.
	6. Hit another set nail or hard object.	6. Move from obstruction.
	7. Nose worn out.	7. Replace nose.
Plunger locked up-won't move or fire	1. Lack of lubrication	1. Manually lubricate through male air inlet fitting.

▲ WARNING:

Only use Freeman Authorized Repair Parts. For questions please call 1-888-669-5672 or visit our website at <http://www.freemantools.com>

WEARABLE PARTS

Repair parts can be ordered from our website: <http://www.freemantools.com>

PGP INC. PRODUCT WARRANTIES**FREEMAN Pneumatic Nail Guns Warranties****7 Year Professional Tool Warranty**

The Freeman Tool limited warranty extends exclusively to the original purchaser of the Freeman Product, begins on the date of purchase and excludes wearable parts. During the warranty period Prime Global Products, Inc. (PGP) expressly warrants that the Freeman Product is free from defect in materials and workmanship subject to the exceptions and limitations contained herein. PGP shall at its option, repair, replace, or offer a full refund for a Freeman Product that has a defect in materials or workmanship.

90 Day Wearable Parts Warranty

The Freeman wearable parts limited warranty extends exclusively to the original purchaser of the Freeman Product and begins on the date of purchase, and includes driver blades, bumpers, O-rings, pistons, piston rings, and gaskets. During the warranty period PGP expressly warrants that the Freeman Product is free from defect in materials and workmanship subject to the exceptions and limitations contained herein. PGP shall at its option, repair, replace, or offer a full refund for a Freeman Product that has a defect in materials or workmanship.

A DATED SALES RECEIPT OR PROOF OF PURCHASE FROM THE ORIGINAL RETAIL PURCHASER IS REQUIRED TO MAKE A WARRANTY CLAIM. Warranty registration is also required and can be accomplished through On-Line Product Registration at www.freemantools.com, select SUPPORT, select PRODUCT REGISTRATION. To make a warranty claim, the original purchaser must return the Freeman Nail Gun, postage prepaid and insured, with proof of purchase to PGP or any of its authorized service centers. For questions please call 1-888-669-5672. Other than the postage and insurance requirement, no charge will be made for repairs covered by this warranty.

Warranty Exclusions

These Warranties do not apply where:

- Repairs or alterations have been made, or attempted, by others, and/or the unauthorized use of non-conforming parts or accessories.
- Repairs are required due to normal wear and tear.
- The Nail Gun has been abused, misused, improperly maintained or operated, including: the failure to use clean, dry, regulated compressed air at the recommended pressure; accidents caused by use of the Freeman Product after partial failure.
- The Freeman Product is used commercially in assembly lines or production lines. The Freeman Product is intended for use by individuals and these warranties do not extend to such commercial uses.

NO WARRANTY, ORAL OR WRITTEN, EXPRESSED OR IMPLIED, OTHER THAN THE ABOVE WARRANTY IS MADE WITH REGARD TO THIS FREEMAN PRODUCT. ANY IMPLIED WARRANTIES WILL BE LIMITED IN DURATION TO.

THE APPLICABLE WARRANTY PERIOD SPECIFIED ABOVE. SOME STATES DO NOT ALLOW LIMITATIONS ON HOW LONG AN IMPLIED WARRANTY LASTS, SO THE ABOVE MAY NOT APPLY TO YOU. YOUR REMEDIES ARE SOLELY AND EXCLUSIVELY AS STATED ABOVE. PGP SHALL IN NO EVENT BE LIABLE FOR INCIDENTAL, CONSEQUENTIAL, INDIRECT, OR SPECIAL DAMAGES. SOME STATES DO NOT ALLOW THE EXCLUSION OR LIMITATION OF INCIDENTAL OR CONSEQUENTIAL DAMAGES, SO THE ABOVE LIMITATION OR EXCLUSION MAY NOT APPLY TO YOU. IN NO EVENT, WHETHER AS A RESULT OF A BREACH OF CONTRACT, WARRANTY, TORT (INCLUDING NEGLIGENCE) OR OTHERWISE, SHALL PGP'S LIABILITY EXCEED THE PRICE OF THE PRODUCT WHICH HAS GIVEN RISE TO THE CLAIM OR LIABILITY. ANY LIABILITY CONNECTED WITH THE USE OF THIS PRODUCT SHALL TERMINATE UPON THE EXPIRATION OF THE WARRANTY PERIOD SPECIFIED ABOVE. NO EMPLOYEE OR REPRESENTATION OF PGP, OR ANY DISTRIBUTOR OR DEALER IS AUTHORIZED TO MAKE ANY CHANGE OR MODIFICATION OF THIS WARRANTY.

These warranties give you specific legal rights. You may also have other rights which vary from state to state.

THESE WARRANTIES ARE SUBJECT TO CHANGE WITHOUT NOTICE.

FREEMAN

**MODELO: PFL618BR/
PFL618C**

**PISTOLA DE CLAVOS PARA
PISOS 3 EN 1
PARA GRAPAS Y CLAVOS EN T Y L**

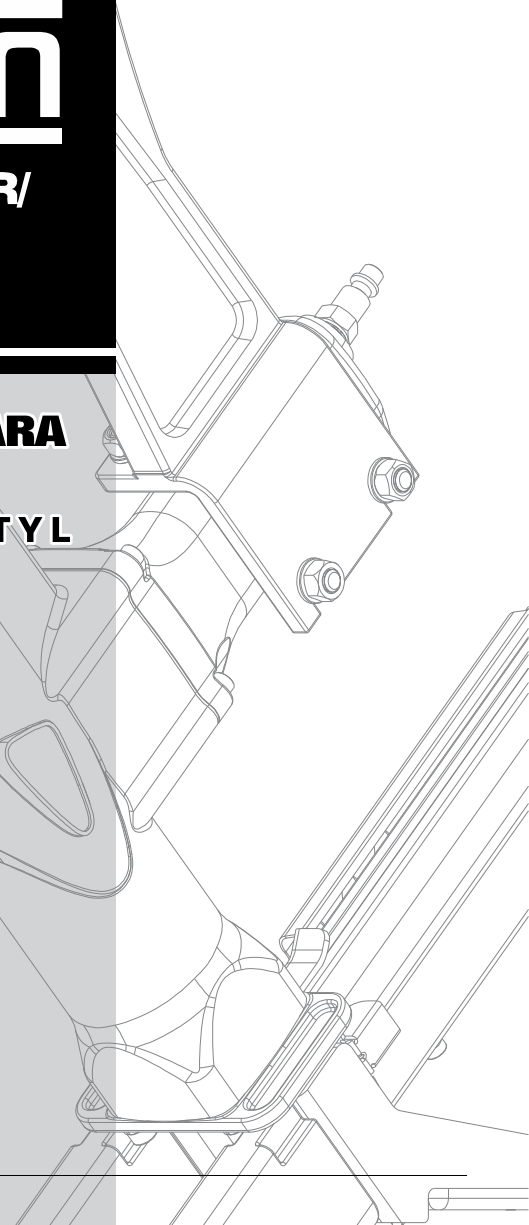
• [HTTP://WWW.FREEMANTOOLS.COM](http://www.freemantools.com)
• 1-888-669-5672
• PRIME GLOBAL PRODUCTS, INC.



ADVERTENCIA:

No seguir las advertencias correctamente puede causar LA MUERTE O LESIONES GRAVES.

GUARDA ESTE MANUAL PARA CONSULTARLO EN EL FUTURO.



NORMAS GENERALES DE SEGURIDAD	P20
DESEMPACAR	P23
CARACTERÍSTICAS	P23
OPERACIÓN	
PREPARAR LA HERRAMIENTA	P24
CARGA DE CLAVOS EN T	P25
CARGAR CLAVOS EN L	P25
CARGANDO LAS GRAPAS	P26
DESCARGA DE LOS CLAVOS GRAPAS	P27
CAMBIO DE LA PLACA DE APOYO	P28
CONFIGURACIÓN DE LA PRESIÓN DE AIRE	P28
FUNCIONAMIENTO DE LA HERRAMIENTA	P28
CÓMO RETIRAR SUJETADORES ATASCADOS	P30
MANTENIMIENTO	P30
CONEXIÓN RECOMENDADA	P32
SOLUCIÓN DE PROBLEMAS	P33
PIEZAS DESGASTADAS	P34
GARANTÍAS	P34



ADVERTENCIA:

Las advertencias y precauciones mencionadas en este manual no abarcan todas las condiciones y situaciones posibles. Es perfectamente comprensible que no podemos fabricar el sentido común y la precaución como partes de ningún producto, el usuario es el responsable de obrar en consecuencia.

GUARDAR ESTE MANUAL

- Guarda este manual para tener a mano las advertencias de seguridad, precauciones, operaciones, inspecciones y mantenimiento. Guarda este manual y el recibo en un lugar seguro y seco para consultarlo en el futuro.





ADVERTENCIA:

Para evitar lesiones personales graves, no intentes usar este producto hasta haber leído y comprendido el manual por completo. Guarda este manual y consúltalo con frecuencia para un funcionamiento seguro y para instruir a otros usuarios de esta herramienta.

SÍMBOLOS

- Símbolos en este manual, las etiquetas, envases y en toda la información provista con esta herramienta. Las siguientes palabras de aviso y significados tienen el objetivo de explicar los niveles de riesgo asociados con esta herramienta

SÍMBOLOS	AVISO	SIGNIFICADO
	ADVERTENCIA:	Indica una situación potencialmente peligrosa que, de no evitarse, podría causar la muerte o lesiones graves.
	PRECAUCIÓN:	Indica una situación potencialmente peligrosa que, de no evitarse, podría causar la muerte o lesiones graves.
	PRECAUCIÓN:	(Sin símbolo) Indica una situación que puede resultar en daños a la propiedad.

NORMAS GENERALES DE SEGURIDAD

INSTRUCCIONES EN REFERENCIA AL PELIGRO DE INCENDIOS, CHOQUE ELÉCTRICO O LESIONES PERSONALES.

ADVERTENCIA:

Cuando se usen herramientas, siempre se deberán seguir precauciones básicas, incluyendo las siguientes:

PROPOSICIÓN 65 DE CALIFORNIA

ADVERTENCIA:

Este producto puede exponerlos a productos químicos incluyendo plomo, que es conocido por el Estado de California para causar cáncer. Para obtener más información, visite www.P65Warnings.ca.gov.

ÁREA DE TRABAJO

- **Mantén el área de trabajo limpia y bien iluminada.** Los bancos desordenados y las áreas oscuras aumentan los riesgos de accidentes.
- **No utilices la herramienta en ambientes donde exista riesgo de explosión, como aquéllos en donde haya gases, polvo o líquidos inflamables.** La herramienta produce chispas que pueden encender los gases, polvo o líquidos inflamables.
- **Mantén alejados a las personas a tu alrededor y los niños mientras utilices la herramienta.** Las distracciones pueden provocar un uso incorrecto y causar lesiones.
- **Evita los errores no intencionados al disparar.** Siempre ten precaución a fin de evitar los disparos accidentales. No apuntes la herramienta hacia ti u otra persona, contenga fijadores o no.

SEGURIDAD PERSONAL

- **Usa siempre protección para los ojos.** El operador y las otras personas en el área de trabajo deben usar siempre gafas de seguridad con protectores laterales, aprobadas por ANSI . La protección de los ojos se utiliza para resguardarlos de los fijadores y residuos que puedan saltar, los cuales pueden causar lesiones graves en los ojos. Puedes usar las gafas que vienen con la herramienta.
- **Usa siempre protección auditiva cuando utilices la herramienta.** La exposición prolongada a ruidos de alta intensidad puede causar la pérdida de la audición.
- **Usa un equipo de seguridad.** Se deben usar una máscara antipolvo, calzado de seguridad antideslizante y un casco rígido en condiciones donde sean necesarios. Usa una máscara protectora completa si estás trabajando con virutas de madera o limaduras de metales.
- **Usa la vestimenta adecuada.** No utilices ropa o joyas sueltas. Recoge el cabello largo. Mantén el cabello, la ropa y los guantes alejados de las partes móviles. La ropa y las joyas sueltas o el cabello largo pueden quedar atrapados en las partes móviles.
- **Cuando utilices una herramienta de motor mantente alerta, observa lo que estás haciendo y utiliza el sentido común.** No utilices la herramienta si estás cansado o bajo el efecto de drogas, alcohol o medicamentos. Un momento de distracción durante la operación de la herramienta puede causar lesiones graves.
- **Evite el disparo involuntario.** Mantenga los dedos alejados del martillo cuando no se mueven los sujetadores, especialmente cuando se conecta la herramienta al suministro de aire.
- **Mantén siempre una posición firme y el equilibrio adecuado.** Una posición firme y el equilibrio adecuado permiten controlar mejor la

herramienta en situaciones inesperadas. No la utilices sobre una escalera de tijera o soportes inestables. Una posición estable sobre una superficie sólida permite un mejor control de la herramienta en situaciones imprevistas.

- **No lo use en una escalera o soportes inestables.** Un pie firme sobre una superficie sólida permite un mejor control de la herramienta en situaciones inesperadas.
- **Asegúrate de que la manguera esté libre de obstrucciones o trabas.** Las mangueras atascadas o enredadas pueden causar la pérdida del equilibrio o la estabilidad y pueden dañarse y causar lesiones.
- **Lávese las manos después de manipularlo.** Este producto o su cable eléctrico pueden contener sustancias químicas reconocidas por el estado de California como causantes de cáncer, defectos congénitos y otros daños en el aparato reproductivo.

USO Y CUIDADO DE LA HERRAMIENTA

- **Infórmate sobre la herramienta.** Lee el manual con cuidado, aprende sobre sus aplicaciones y limitaciones, como también sobre los riesgos específicos y potenciales relacionados con la herramienta.
- **Usa únicamente los fijadores recomendados para el modelo.** No uses los fijadores incorrectos ni los cargues de forma inadecuada.
- **Comprueba que las piezas móviles no estén desalineadas ni bloqueadas, que no haya piezas dañadas o cualquier otra condición que pueda afectar el funcionamiento de la herramienta.** Si está dañada, repara la herramienta antes de utilizarla. Muchos accidentes se deben al mantenimiento incorrecto de la herramienta.
- **Cuida la herramienta para mantenerla en buenas condiciones.** Mantén limpia la herramienta. Una herramienta con el mantenimiento adecuado corre menos riesgo de bloquearse y es más fácil de controlar.
- **Guarda las herramientas fuera del alcance de los niños y otras personas que no sepan como utilizarlas.** Las herramientas son peligrosas en manos de usuarios que no saben como utilizarlas.
- **Comprueba el funcionamiento de la herramienta antes de usarla.**
- **No fuerces la herramienta.** Utiliza la herramienta correcta según la aplicación. La herramienta correcta realizará el trabajo mejor y con más

seguridad a la velocidad para la cual está diseñada.

- **Usa abrazaderas u otra forma práctica para asegurar y sujetar la pieza de trabajo a una plataforma estable.** Sostener la herramienta con la mano o apoyarla contra el cuerpo no ofrece la estabilidad adecuada y puede causar pérdida de control.
- **Mantén la herramienta y el mango secos, limpios y libres de aceite o grasa. Usa siempre un paño limpio para la limpieza.** Nunca uses líquido de freno, gasolina, productos a base de petróleo ni solventes para limpiar la herramienta.
- **No utilices la herramienta como martillo.**
- **No utilices esta herramienta de tal manera que los fijadores se dirijan hacia cualquier otra cosa que no sea la pieza de trabajo.**
- **Nunca utilice gasolina ni ningún otro líquido inflamable para limpiar la herramienta.** Nunca utilice la herramienta en presencia de líquidos o gases inflamables. Los vapores podrían encenderse por una chispa y causar una explosión que podría provocar lesiones personales graves o la muerte.
- **Siempre fije la manguera con un conector o acoplador de manguera sobre o cerca de la herramienta, de forma tal que todo el aire comprimido en la herramienta se descargue al momento en que el conector o el acoplador de la manguera estén desconectados.** No utilice una válvula de control ni ningún otro conector que permita que el aire permanezca en la herramienta, en caso contrario podrían ocurrir lesiones personales graves o la muerte.
- **Nunca transporte la herramienta de la manguera de aire comprimido ni jale la manguera para mover la herramienta o un compresor. Mantenga las mangueras alejadas del calor, el aceite y los bordes filosos.** Reemplace las mangueras dañadas o desgastadas, en caso contrario podrían ocurrir lesiones personales o daños en la herramienta.
- **Siempre dé por sentado que la herramienta contiene sujetadores.** Considere la herramienta como un implemento de trabajo y no juegue con ella.
- **No deje caer ni tire la herramienta.** Dejar caer o tirar la herramienta puede causar daños que harán que la herramienta sea inutilizable o insegura. Si la herramienta se ha caído o lanzado, examine la herramienta de cerca para detectar una fuga de aire o plegado, agrietado o partes rotas. PARE y repare antes de usar, o

podría ocurrir lesiones graves.

- Evite usar la herramienta cuando el cargador está vacío. Ya que esto puede producir desgaste acelerado en la herramienta.
- Limpie y revise todas las mangueras y conectores de suministro de aire comprimido antes de conectar la herramienta a un suministro de aire comprimido. Reemplace las mangueras y conectores dañados o desgastados, de lo contrario el rendimiento o la durabilidad de la herramienta podrían verse reducidos.
- Siempre sujete la herramienta por el mango. Nunca la sujetes por la manguera de aire.
- No utilices la herramienta si pierde aire o no funciona correctamente.
- No utilices la herramienta si no tiene una etiqueta de advertencia legible.

REPARACIÓN DE LA HERRAMIENTA

- Usa únicamente accesorios identificados por el fabricante para ese modelo específico de herramienta.
- La utilización de piezas no autorizadas o el incumplimiento de las instrucciones de mantenimiento pueden aumentar el riesgo de lesiones.
- Usa únicamente los lubricantes provistos con la herramienta o especificados por el fabricante.
- La reparación de la herramienta debe ser realizada únicamente por personal calificado.

FUNCIONAMIENTO

- No coloques fijadores cerca del borde de la pieza de trabajo. La pieza de trabajo puede partirse y hacer que el fijador rebote y te dañe a ti o a las personas alrededor.
- No coloques fijadores sobre otros fijadores o con la herramienta a un ángulo demasiado inclinado ya que esto puede causar el desvío de los fijadores y provocar lesiones.
- No uses la herramienta a menos que pretendas colocar un fijador en la pieza de trabajo.
- Opera siempre la herramienta con cuidado:
 - ◆ Respete la herramienta como implemento de trabajo.
 - ◆ Nunca la uses en bromas y juegos.
 - ◆ Mantén a los demás a una distancia segura

de la herramienta ya que puede accionarse accidentalmente, y posiblemente causar lesiones.

ENTRADA DE AIRE Y CONEXIONES

- El conector de la herramienta no debe estar bajo presión al desconectar la entrada de aire. Si se utiliza un acoplador incorrecto, la herramienta puede quedar cargada de aire luego de la desconexión y podría disparar fijadores incluso con la línea de aire desconectada y ello puede causar lesiones.
- No use oxígeno, gases combustibles o gases embotellados como fuente de energía para esta herramienta. Puede ocurrir una explosión, causando lesiones o la muerte.
- No utilice ningún tipo de gases reactivos, lo que incluye pero no se limita al oxígeno o a gases combustibles, como fuente de alimentación. Use únicamente aire comprimido filtrado, lubricado y regulado. El uso de gas reactivo en lugar de aire comprimido puede hacer que la herramienta explote, lo cual produciría lesiones personales graves o la muerte.
- Use únicamente una fuente de aire comprimido de presión regulada para limitar la presión de aire suministrada a la herramienta. La presión regulada no debe superar los 7,93 bar. Si el regulador falla, la presión enviada a la herramienta no debe superar los 7,93 bar de lo contrario la herramienta podría explotar y causar lesiones personales graves o la muerte.
- Desconecta siempre la fuente de aire:
 - ◆ Antes de descargar o realizar ajustes.
 - ◆ Al realizar el mantenimiento de la herramienta.
 - ◆ Al eliminar un atasco.
 - ◆ Al tocar el yugo de seguridad.
 - ◆ Cuando la herramienta no está en uso.
 - ◆ Al desplazarse a otra área de trabajo.

Dichas medidas de precaución reducirán el riesgo de lesiones a personas.

CARGAR LA HERRAMIENTA

- No cargues la herramienta con fijadores si alguno de los controles operativos está activado.
- Nunca coloques la mano ni ninguna otra parte del cuerpo en el área de descarga de los fijadores.

- Nunca apuntes la herramienta hacia las personas.

⚠ ADVERTENCIA:

Las advertencias y precauciones mencionadas anteriormente no abarcan todas las condiciones y situaciones posibles. Es perfectamente comprensible que no podemos fabricar el sentido común y la precaución como partes de ningún producto, el usuario es el responsable de obrar en consecuencia.

DESEMPACAR

- Esta herramienta se ha enviado completamente ensamblada.
- Retira cuidadosamente la herramienta y los accesorios de la caja.
- Inspecciona la herramienta cuidadosamente para asegurarte de que no haya ocurrido ninguna rotura ni daño durante el envío.
- No deseches el material de empaque hasta que hayas inspeccionado cuidadosamente y utilizado satisfactoriamente la herramienta.
- Si alguna pieza está dañada o falta, llama al 1-888-669-5672.

⚠ ADVERTENCIA:

Si falta alguna pieza, no utilices esta herramienta hasta reemplazarla. De no seguir esta advertencia, pueden producirse lesiones graves.

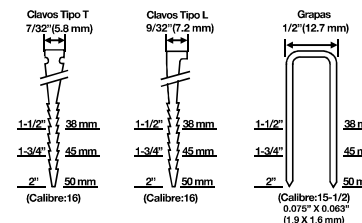
⚠ ADVERTENCIA:

No intentes modificar esta herramienta o construir accesorios no recomendados para la misma. Tales modificaciones o cambios son considerados un mal uso y pueden resultar en condiciones peligrosas que a su vez pueden posiblemente causar lesiones.

CARACTERÍSTICAS

ESPECIFICACIONES

Presión de funcionamiento:	4,83-7,93 bar
Capacidad del cargador:	L: 100 pzs T: 100 pzs U: 120 pzs
Peso de la herramienta:	5,2 kgs
Entrada de aire:	NPT de 1/4"
Fijadores:	



Compatible con Grapas de 1/2", Clavos en T y en L de Marcas Genéricas.

CARACTERÍSTICAS

- **REVOLUCIONARIO DISEÑO 3 EN 1**
Para usar con Grapas, Clavos en T y en L.
- **NO-MAR DISEÑO**
Proporciona mayor protección contra el desgaste cuando se trabaja con una superficie de suelo acabada.
- **MANGO CON DISEÑO ERGONÓMICO**
Operación más sencilla y menos trabajosa.
- **CARGADOR DE ALUMINIO ANODIZADO**
Mayor durabilidad.
- **CONSTRUCCIÓN RESISTENTE**
Construcción liviana y duradera en aluminio altamente resistente y piezas de acero termotratado.
- **INCLUYE UN MAZO**

OPERACIÓN

PREPARAR LA HERRAMIENTA

- El PFL618BR está pre-conectado con la parte del brazo.
- PFL618C se envía con la parte del brazo desprendida del cuerpo principal. Ensamble la parte del brazo en la herramienta si es necesario. (Ver figuras 1 y 2 y 3)

Figura 1

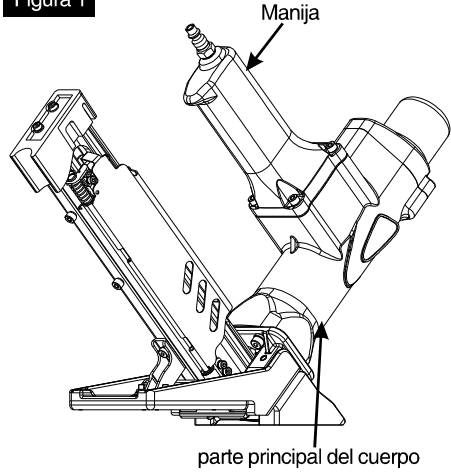
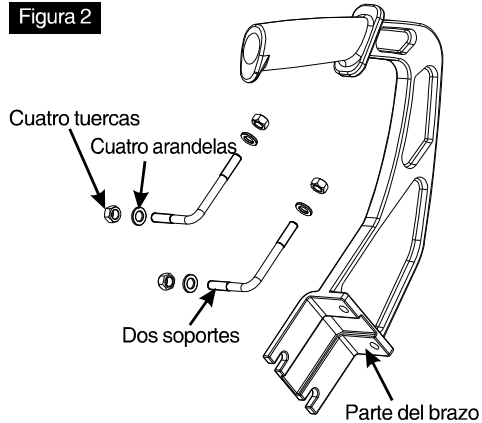


Figura 2



NOTA:
Asegúrese de que todos los elementos enumerados anteriormente en la imagen se incluyen en el paquete, si no, llame al 1-888-669-5672.
Siga estas instrucciones para preparar la herramienta de uso.

1. Coloque el brazo contra la manija y deslice los soportes a través de las ranuras y agujeros de los agujeros del brazo. Enrosque las arandelas y las tuercas sobre los extremos de los soportes.
2. Apriete las tuercas hasta que los soportes estén asegurados y el brazo esté bloqueado contra la empuñadura.

Figura 3

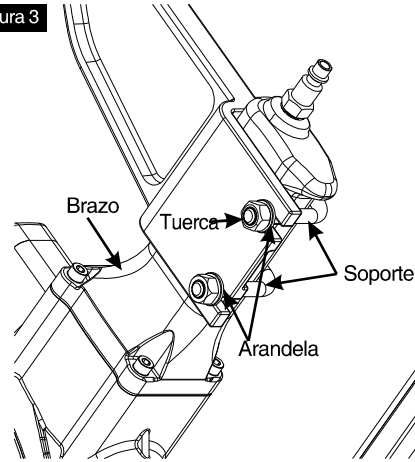
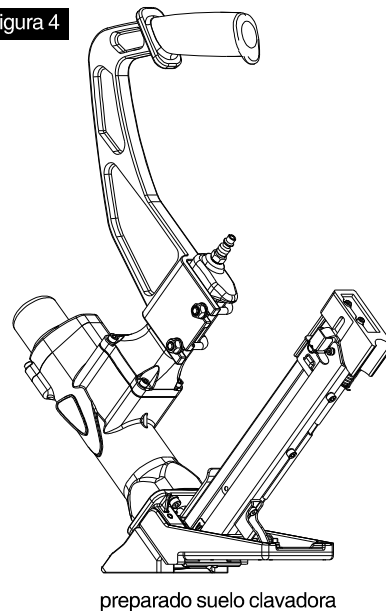


Figura 4



⚠ ADVERTENCIA:

Si faltan piezas, no utilice esta herramienta hasta que se reemplacen las piezas que faltan. Antes de utilizar esta herramienta, asegúrese de que la parte del brazo y la parte del cuerpo principal estén bien atornilladas. De lo contrario, podrían producirse lesiones personales graves.

CARGAR CLAVOS EN T

1. Conecte la herramienta a la fuente de aire.
2. Tire del empujador (A) de nuevo al final del cargador. Bloquee el empujador en el lugar utilizando el botón de bloqueo (B). (Ver figura 5 y 6)
3. Inserte la tira de grapas T en el cargador desde la parte superior. Se pueden cargar hasta 100 clavos en el cargador (Ver figura 7).
4. Presione el botón de bloqueo (B), deje que el empujador (A) se deslice hacia adelante y enganche el sujetador. El empujador (A) se detendrá cuando se apoye contra el extremo de los clavos. (Ver figura 8)

Figura 5

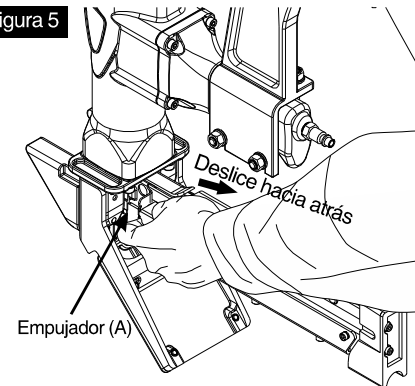


Figura 6

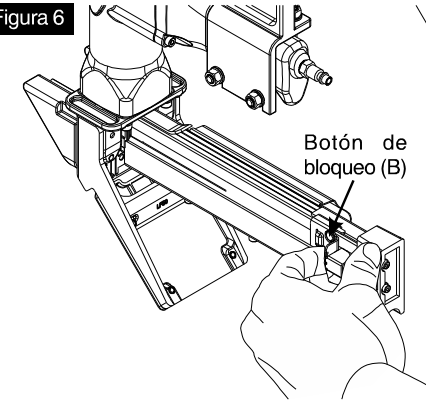


Figura 7

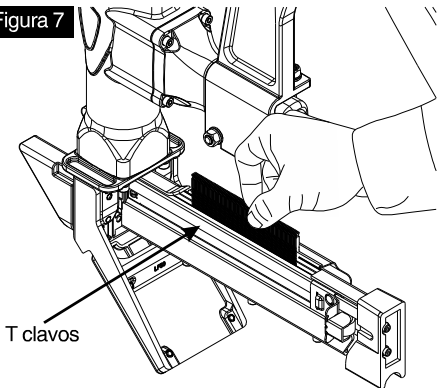
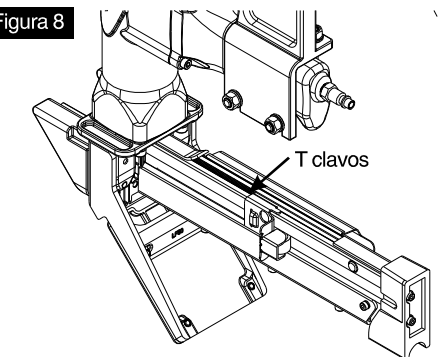


Figura 8

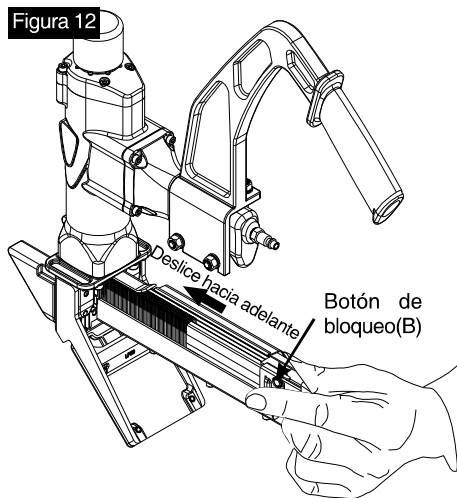
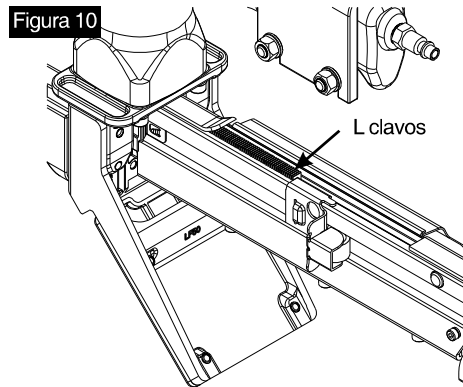
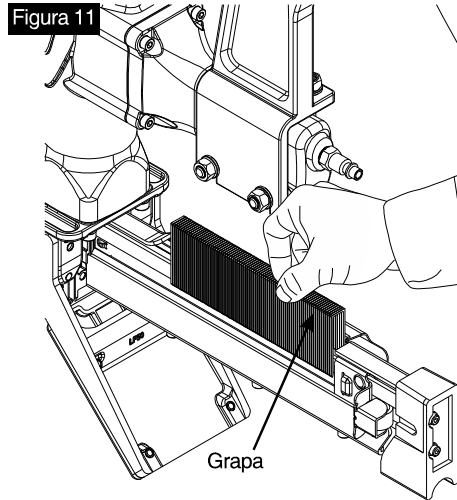
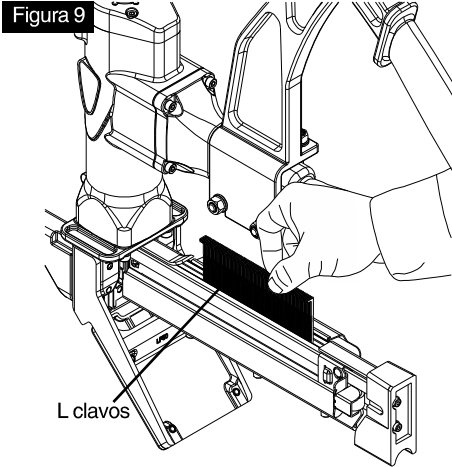


CARGAR CLAVOS EN L

1. Conecte la herramienta a la fuente de aire.
2. Tire del empujador (A) de nuevo al final del cargador. Bloquee el empujador en el lugar utilizando el botón de bloqueo (B). (Ver figuras 5 y 6).

3. Inserte la tira de grapas L en el cargador desde la parte superior. Se pueden cargar hasta 100 clavos en el cargador. Obsérvese que, al cargar los listones L, el lado con la cabeza L debe estar a la izquierda del cargador. (Ver figura 9)
4. Presione el botón de bloqueo (B), deje que el empujador (A) se deslice hacia adelante y enganche las grapas. El empujador (A) se detendrá cuando se apoye contra el extremo de los clavos. (Ver figura 10)

3. Inserte un clip completo de grapas de corona de 1/2 pulg. En el cargador desde la parte superior. Puede cargar hasta 120 piezas en la revista (ver figura 11).
4. Presione el botón de bloqueo (B), permita que el empujador (A) se deslice hacia adelante y enganche las grapas. El empujador (A) se detendrá cuando se apoye contra el extremo de las grapas. (Ver figuras 12 y 13)



CARGANDO LAS GRAPAS

1. Conecte la herramienta a la fuente de aire.
2. Tire del empujador (A) de nuevo al final del cargador. Bloquee el empujador en el lugar utilizando el botón de bloqueo (B). (Ver figuras 5 y 6)

Figura 13

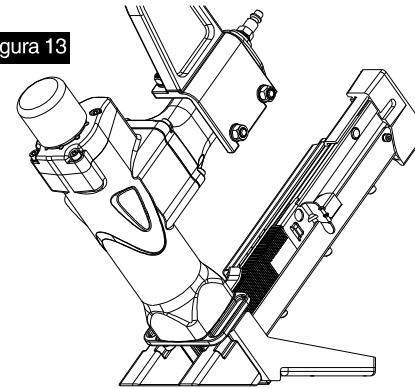


Figura 14

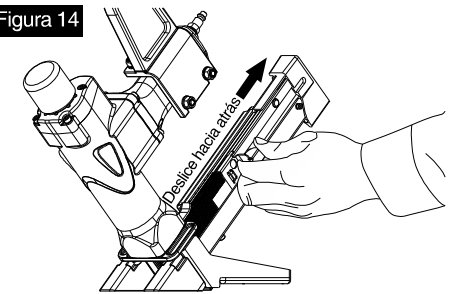


Figura 15

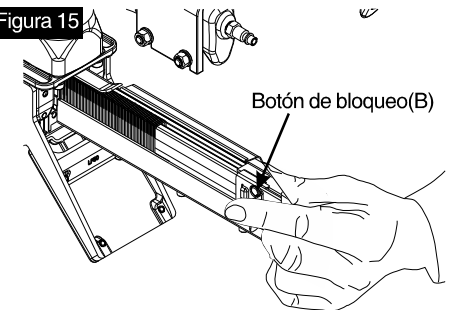


Figura 16

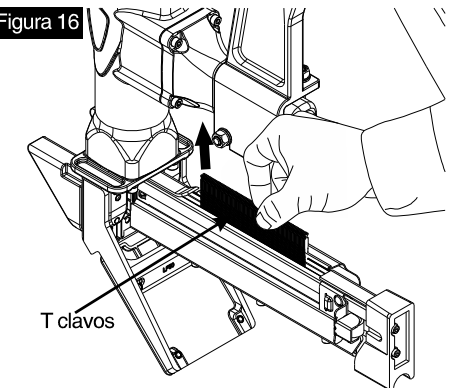
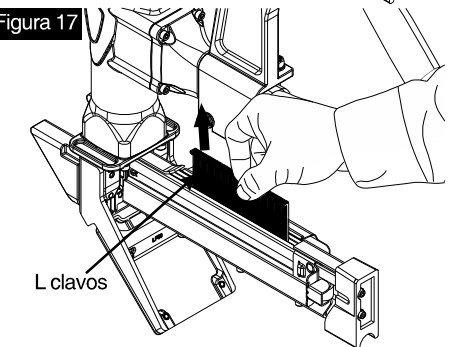


Figura 17



⚠ ADVERTENCIA:

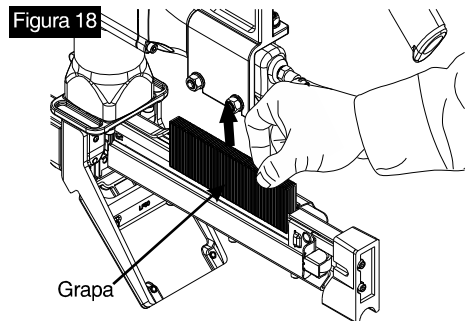
La herramienta puede dispararse cuando se conecte por primera vez a una fuente de aire. Siempre conecte la herramienta a la fuente de aire antes de cargar los sujetadores para prevenir lesiones causadas por ciclos accidentales. Asegúrese siempre de que el cargador de la herramienta esté vacío al comienzo de cada sesión de trabajo antes de conectar la herramienta a la fuente de aire.

⚠ ADVERTENCIA:

Use solamente los sujetadores recomendados para esta herramienta. Los sujetadores no identificados por el fabricante de la herramienta para usarse con la misma pueden causar lesiones a las personas o daños en la herramienta cuando se usan con ella.

DESCARGA DE LOS CLAVOS GRAPAS

1. Desconecte la herramienta de la fuente de aire.
2. Tire del empujador hacia atrás hasta el extremo del cargador hasta que quede bloqueado en el botón de bloqueo. (Ver figuras 14 y 15.)
3. Descargue los clavos de grapas o las grapas del cargador. (Ver figuras 16 y 17 y 18.)



CAMBIO DE LA PLACA DE APOYO

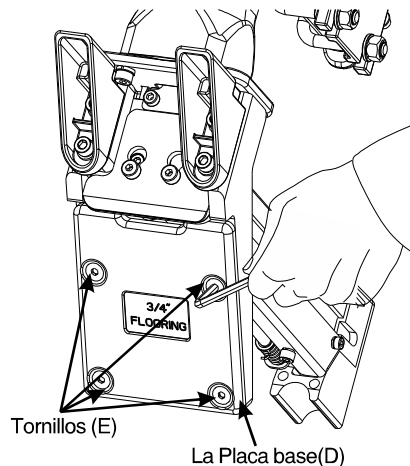
La herramienta está equipada con una placa de pie de 3/4" (1,9cm) (D) preinstalada en fábrica y una placa de pie desinstalada adicional de 5/8" (1,59cm) y 9/16" (1,43cm).

Para cambiar la placa:

1. Desconecte la herramienta de la fuente de aire.
2. Vacíe el cargador completamente.
3. Dispare la herramienta hacia un trozo de madera que no utilice para asegurarse de que no haya aire comprimido o sujetadores en la herramienta.
4. Coloque la herramienta de lado para ver los cuatro Tornillos (E).
5. Retire los cuatro Tornillos (E) y luego retire la placa base.
6. Alinee los cuatro orificios de los tornillos en la placa base de repuesto con los cuatro orificios de montaje roscados.
7. Usando los cuatro tornillos que retiro, fije la placa base de repuesto a la herramienta.
8. Asegúrese de haber instalado la placa base correcta disparando la herramienta hacia un trozo de madera que no utilice y verificando la colocación adecuada del sujetador.

⚠ ADVERTENCIA:

Siempre desconecta la herramienta de la fuente de aire antes de cambiar la placa de apoyo. Antes de cambiar la placa de apoyo, asegúrate de que no haya fijadores en el cargador.



CONFIGURAR LA PRESIÓN DE AIRE

1. La cantidad de presión de aire requerida dependerá del tamaño de los sujetadores y del material de la pieza de trabajo.
2. Comience a probar la profundidad de disparo, disparando un sujetador de prueba en el mismo tipo de material de la pieza de trabajo que ocupará.
3. Dispare un sujetador de prueba, con la presión de aire configurada entre 6,21-6,55 bar.
4. Incremente o reduzca la presión del aire hasta encontrar la configuración mínima requerida para obtener resultados óptimos.

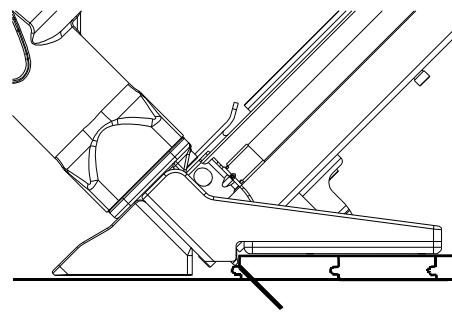
FUNCIONAMIENTO DE LA HERRAMIENTA

1. Conecta la herramienta a la fuente de aire. Enciende el compresor y comprueba si la presión está configurada entre las 4,83 -7,93 bar. No excedas el máximo de 7,93 bar.
2. Sujeta la Empuñadura (J) firmemente y presiona la Placa de Piso (D) hacia la superficie de trabajo. Asegúrate de que la placa se encuentre sobre la posición de disparo del Fijador.
3. Presione hacia abajo firmemente para que la placa del pie (D) esté en contacto firme con la superficie de trabajo. A continuación, con el mazo empaquetado con la herramienta, golpee firmemente la tapa del martillo (K) para colocar el sujetador en la superficie de trabajo. Levante la herramienta de la superficie de trabajo. Repita este proceso hasta que se complete el trabajo.

4. Una vez finalizado, asegúrate de almacenar la herramienta en un lugar limpio, seco, seguro y fuera del alcance de los niños u otras personas no autorizadas.

Piso de de lengüeta y ranura

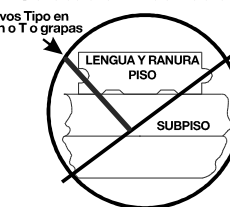
La clavadora de pisos suelo está diseñado para Pisos de lengüeta y ranura solamente . Coloque el clavadora rubor sobre la superficie de trabajo. Asegúrese de que está en huelga en la lengüeta del piso de madera dura.



Colocación correcta



Colocación incorrecta



NOTA:

Por favor, siga las directrices de su fabricante de madera al hacer sus instalaciones de pisos.

⚠ ADVERTENCIA:

Mantenga los pies fuera de la herramienta.

⚠ ADVERTENCIA:

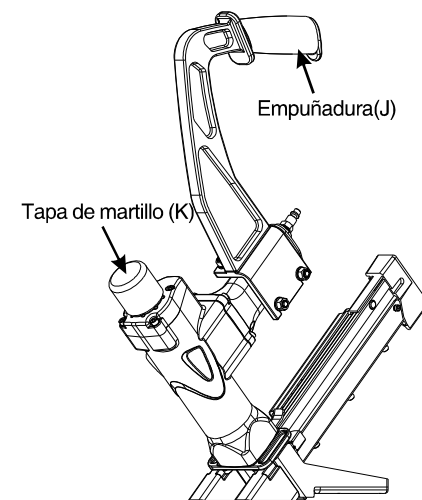
Se debe tener extrema precaución siempre que esta herramienta esté conectada a un recurso de aire. Si la herramienta se cae o si se golpea accidentalmente la tapa del martillo (K), la herramienta disparará un sujetador, causando potencialmente LESIONES PERSONALES GRAVES.

⚠ ADVERTENCIA:

Antes de usar la herramienta en un piso, pruebe la herramienta en un trozo de madera. Ajuste la profundidad de conducción proporcionando más o menos presión de aire. Nunca exceda los 7,93 bar.

⚠ ADVERTENCIA:

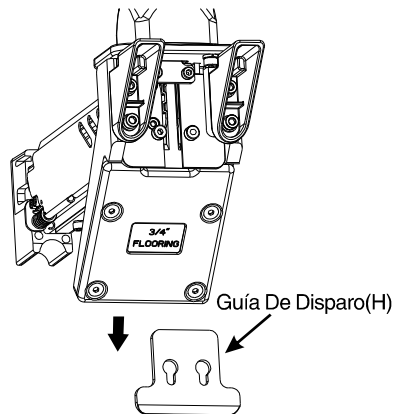
No se debe utilizar una herramienta que funcione de forma inadecuada. No accione la herramienta a menos que se encuentre bien colocada en la pieza de trabajo.



CÓMO RETIRAR SUJETADORES ATASCADOS

En ocasiones, un sujetador puede atascarse en el mecanismo de disparo, dejando la herramienta inoperante. Para retirar el sujetador atascado, siga los siguientes pasos:

1. Desconecte la herramienta de la fuente de aire.
2. Vacíe el cargador. Asegúrese de retirar todos los sujetadores.
3. Intente disparar a un trozo de madera o piso que no utilice para asegurarse de que no puede disparar ningún sujetador.
4. Coloque la herramienta de lado para ver los Pernos (I).
5. Afloje los pernos (I) y retire la guía de impulsión (H) para exponer el sujetador atascado.
6. Retire el sujetador atascado usando unas pinzas o un destornillador si es necesario.
7. Vuelva a colocar la Guía De Disparo (H) y los Pernos (I).
8. Reconecte la herramienta de la fuente de aire, Recargue la herramienta con sujetadores.
9. Presione la Guía De Disparo (H) contra un trozo de madera y dispare varios sujetadores para asegurarse de que la herramienta funciona correctamente. Si la herramienta dispara de forma adecuada, puede seguir usándola. Si la herramienta no funciona correctamente, suspenda su uso de inmediato y haga que un técnico calificado la repare.



⚠ ADVERTENCIA:

Asegúrese de que no haya ningún sujetador en el cargador antes de eliminar un atasco.

⚠ ADVERTENCIA:

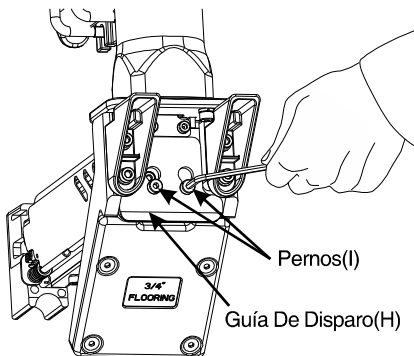
Desconecte la herramienta de la fuente de aire siempre que elimine un atasco. Después de desconectar la herramienta del compresor de aire, todavía debe haber suficiente presión de aire para disparar la herramienta. Después de que la casa de aire esté desconectada, siempre dispare la herramienta en madera de desecho repetidamente para asegurarse de que todo el aire comprimido se gasta.

MANTENIMIENTO

⚠ ADVERTENCIA:

Cada vez que realice una inspección, mantenimiento o limpieza:

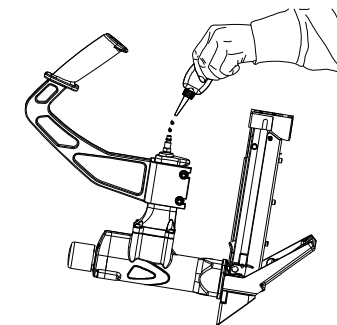
- ◆ Desconecta la herramienta de la fuente de aire.
- ◆ Vacía el cargador por completo.



ANTIPOLVO

Cada herramienta se embala con una tapa anti-polvo en el conector de aire, la comprobación es después de desempacar.

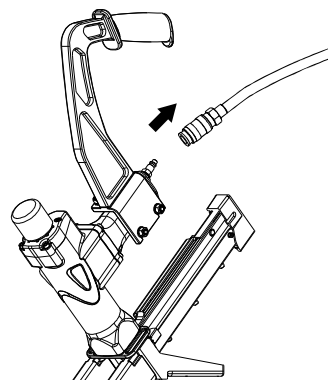
Mantenga la tapa anti-polvo para cubrir el conector de aire cuando la herramienta no está en uso para evitar el polvo.



LUBRICACIÓN

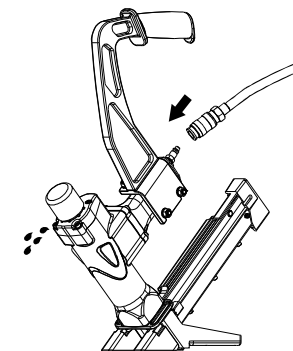
Se requiere lubricación frecuente pero no excesiva para obtener el mejor rendimiento. El aceite para la herramienta agregada a través de la conexión de la línea de aire agregará lubricará las partes internas. No utilice aceite o aditivos detergentes ya que estos lubricantes causarán desgaste acelerado a los sellos y parachoques de la herramienta, lo que resultará en un mal rendimiento de la herramienta y un mantenimiento frecuente de la herramienta.

1. Desconecta la herramienta de la fuente de aire, agregue lubricantes para herramientas.



2. Gire la herramienta de forma tal que la entrada de aire dé hacia arriba. Coloque 2 a 3 gotas de aceite neumático de la herramienta de la cerradura en la entrada de aire. No utilices aceite detergente ni aditivos puesto que estos Lubricantes causarán el desgaste acelerado de los sellos y amortiguadores de la herramienta, lo que resultará en el mal funcionamiento de la misma y elevará la frecuencia del mantenimiento.

3. Después de agregar el aceite, haga funcionar la herramienta por un breve periodo. Limpie el exceso de aceite de la salida de la cubierta.



PRECAUCIÓN:

Lubrica la herramienta únicamente con los lubricantes especificados.

PRECAUCIÓN:

La superficie de trabajo puede resultar dañada por una lubricación excesiva. La lubricación adecuada es responsabilidad del propietario. Si no lubrica correctamente la herramienta, se reducirá drásticamente la duración de la herramienta y se anulará la garantía.

LIMPIEZA

Evite el uso de solventes al limpiar piezas de plástico. La mayoría de los plásticos son susceptibles al daño de diversos tipos de disolventes comerciales y pueden dañarse por su uso. Use paños limpios para quitar la suciedad, polvo, aceite, grasa, etc.

⚠ ADVERTENCIA:

No permita que los fluidos de frenos, gasolina, productos a base de petróleo, aceites de penetración, etc., entren en contacto con piezas de plástico. Los productos químicos pueden dañar, debilitar o destruir el plástico, lo que puede provocar lesiones personales graves.

OPERACIÓN DEL TIEMPO FRÍO

Para el funcionamiento en clima frío, cerca y debajo de la congelación, la humedad en la línea de aire puede congelar y prevenir el funcionamiento de la herramienta. Recomendamos el uso de lubricantes para herramientas de aire o anticongelantes permanentes (etilenglicol) como lubricantes para climas fríos.

PRECAUCIÓN:

No guarde las herramientas en un entorno de clima frío para evitar la formación de escarcha o hielo en las válvulas de funcionamiento de la herramienta y los mecanismos que podrían provocar un fallo de la herramienta.

CONEXIÓN RECOMENDADA

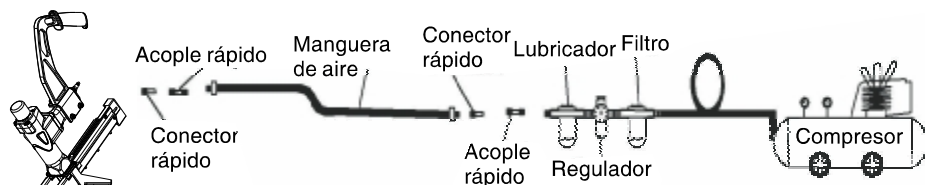
1. El compresor de aire debe ser capaz de mantener un mínimo de 4,83 bar cuando se utiliza la herramienta. Un suministro de aire inadecuado puede causar una pérdida de potencia y una conducción inconsistente.
2. Se puede utilizar un lubricador para proporcionar circulación de aceite a través de la herramienta. Se puede usar un filtro para eliminar las impurezas líquidas y sólidas que pueden oxidar o engomar las partes internas de la herramienta.
3. Utilice siempre mangueras de suministro de aire con una presión de trabajo mínima igual o superior a la presión de la fuente de alimentación si falla un regulador, o 10,34 bar, lo que sea mayor. Use una manguera de aire de 3/8" (9,5mm) para carreras de hasta 50' (15,24 m) y use un acoplador rápido de 3/8" (9,5mm) en la manguera de aire.
4. Utilice un regulador de presión en el compresor, con una presión de funcionamiento de 0 a 8,62 bar. Se requiere un regulador de presión para controlar la presión de funcionamiento de la herramienta entre 4,83 y 7,93 bar.

PRECAUCIÓN:

El compresor de aire debe ser capaz de mantener un mínimo de 4,83 bar cuando se utiliza la herramienta. Un suministro de aire inadecuado puede causar una pérdida de potencia y una conducción inconsistente.

⚠ ADVERTENCIA:

No conectar con un compresor de aire que potencialmente puede exceder 7,93 bar. Como herramienta puede estallar, posiblemente causando lesiones.



SOLUCIÓN DE PROBLEMAS

ADVERTENCIA:

Deje de usar la herramienta inmediatamente si se produce cualquiera de los siguientes problemas. Pueden producirse lesiones personales graves. Cualquier reparación o reemplazo debe ser realizado por un técnico calificado o un centro de servicio autorizado.

PROBLEMAS	CAUSAS POSIBLES	SOLUCIONES
La paleta impulsora no se retrae.	1. Presión de aire nula o baja.	1. Controle que el suministro de aire esté configurado en un mínimo de 4,83 bar y un máximo de 7,93 bar .
	2. Falta de lubricación.	2. Lubrique de manera manual con el accesorio macho de entrada de aire.
	3. Mucha suciedad dentro de la clavadora.	3. Desármela y límpiela.
	4. La paleta impulsora está torcida o sobresaliente.	4. Reemplace la paleta impulsora.
	5. Los precintos están gastados.	5. Reemplace todas las cerraduras.
La paleta impulsora se retrae muy lentamente.	1. Baja presión de aire.	1. Aumente la presión del aire a 4,83 bar o 7,93 bar como máximo.
	2. La paleta impulsora está torcida o sobresaliente.	2. Reemplace la paleta impulsora.
	3. El suministro de aire está restringido por un orificio pequeño.	3. Utilice accesorios de aire de un mínimo de 0,6 cm de diámetro.
	4. La junta tórica del pistón está gastada.	4. Reemplace la junta tórica.
	5. Mucha suciedad dentro de la clavadora.	5. Desármela, límpiela y lubríquela.
El clavo no encastra.	1. Baja presión de aire.	1. Aumente la presión del aire a 4,83 bar o 7,93 bar como máximo.
	2. La paleta impulsora está averiada.	2. Reemplace la paleta impulsora.
	3. El clavo tocó una superficie dura.	3. Sáquelo de la obstrucción.
	4. La junta tórica del pistón está gastada.	4. Reemplace la junta tórica.
	5. La punta está gastada.	5. Reemplace la punta.
La clavadora tiene una fuga de aire.	1. Los accesorios del suministro de aire están flojos.	1. Ajuste todas las conexiones de los accesorios de aire.
	2. La presión de aire en exceso voló los precintos.	2. Controle que el suministro de aire esté como máximo en 7,93 bar, reemplace todos los precintos.
	3. El cuerpo está roto o dañado.	3. Reemplace el cuerpo.
	4. Los precintos están gastados.	4. Reemplace todos los precintos.
	5. Deben colocarse los precintos.	5. Seque el disparador de clavos.
La parte inferior de la clavadora se rompió.	1. Se accionó sin colocar el tope de goma.	1. Reemplace las partes dañadas.
	2. Se usó la presión de aire en exceso.	2. Reemplace las partes dañadas.

PROBLEMAS	CAUSAS POSIBLES	SOLUCIONES
Los clavos se atascan en la clavadora.	1. Los tornillos no tienen el tamaño adecuado.	1. Utilice grapas de corona de calibre 15,5 y 1,27 cm o abrazaderas roscadas L y T de calibre 16 y 3,8 a 5 cm.
	2. Uso continuado luego de un disparo corto.	2. Limpie el clavo inmediatamente después de un disparo corto.
	3. Impulsor de clavos dañado o resorte roto.	3. Reemplace el ensamblaje del impulsor de clavos.
	4. El canal de clavos está flojo.	4. Ajuste el canal de clavos con los tornillos.
	5. Se atascó un clavo torcido en la guía de clavos.	5. Desarme la clavadora y quite el clavo torcido.
	6. Tocó otro clavo o un objeto duro.	6. Sáquelo de la obstrucción.
	7. La punta está gastada.	7. Reemplace la punta.
El émbolo está trabado: no se mueve ni dispara	1. Falta de lubricación	1. Lubrique de manera manual con el accesorio macho de entrada de aire.

▲ ADVERTENCIA:

Use sólo piezas de repuesto autorizadas por Freeman. Si tiene preguntas llame al 1-888-669-5672 o visite nuestro sitio Web en <http://www.freemantools.com>

PIEZAS DESGASTADAS

Puede pedir piezas de repuesto en nuestro sitio Web: <http://www.freemantools.com>

GARANTÍAS DE LOS PRODUCTOS PGP INC.

**Garantía de pistola neumática para clavos Freeman
Garantía de 7 años para herramientas profesionales**

la garantía limitada para herramientas Freeman se extiende en forma exclusiva al comprador original del producto Freeman, comienza en la fecha de compra y excluye todas las piezas de desgaste. Durante el periodo de garantía Prima Global Products, Inc. (PGP) garantiza expresamente que el producto Freeman está libre de defectos de material y mano de obra con sujeción a las excepciones y limitaciones contenidas en el presente. A su elección, PGP reparará, reemplazará u ofrecerá un reembolso completo por un producto Freeman que tenga un defecto de material o mano de obra.

Garantía de 90 días para piezas de desgaste

la garantía limitada para piezas de desgaste se extiende en forma exclusiva al comprador original del producto Freeman, comienza en la fecha de compra e incluye las hojas guías, los protectores, juntas tóricas, pistones, aros de pistón y empaquetaduras. Durante el periodo de garantía PGP expresamente garantiza que el producto Freeman está libre de defectos de material y mano de obra con sujeción a las excepciones y limitaciones contenidas en el presente. A su elección, PGP reparará, reemplazará u ofrecerá un reembolso completo por un producto Freeman que tenga un defecto de material o mano de obra.

PARA HACER UN RECLAMO DE GARANTÍA SE REQUIERE EL ORIGINAL DEL RECIBO O PRUEBA

DE COMPRA QUE EMITIÓ EL VENDEDOR DONDE SE INDIQUE LA FECHA DE COMPRA. También se necesita registrar la garantía lo que se podrá hacer a través del proceso de registro de producto en línea en www.freemantools.com, seleccione SOPORTE, luego REGISTRO DE PRODUCTO. Para hacer un reclamo de garantía, el comprador original deberá enviar a PGP o a uno de sus centros de servicios autorizados la Pistola para Clavos Freeman, franqueo postal prepagado y garantizado, incluyendo la prueba de compra. Para cualquier consulta llame al 1-888-669-5672. No se hará cobro alguno por las reparaciones que estén cubiertas por la presente garantía, con excepción del costo del franqueo postal y los requisitos de seguro.

Exclusiones de la garantía

Esta garantía no se aplicará en ninguno de los siguientes casos:

- Cuando se hayan hecho, o intentado hacer, reparaciones o modificaciones por otros o cuando se haya usado sin autorización piezas o accesorios no conformes.
- Cuando se requiera hacer reparaciones debido al desgaste lógico y normal.
- Cuando se haya usado inadecuadamente la pistola para clavos o no se haya operado en forma apropiada o no se le haya dado el mantenimiento que correspondía, incluyendo: no usar aire comprimido regulado, seco y limpio a la presión recomendada; accidentes provocados por uso del producto Freeman después de una falla parcial.
- El producto Freeman se usa comercialmente en líneas de ensamblaje o de producción. El producto Freeman está diseñado para ser usado por personas particulares y es por eso que esta garantía no se extiende a usos comerciales.

EN LA PRESENTE GARANTÍA NO SE DA NINGUNA OTRA GARANTÍA, ORAL O ESCRITA, EXPRESA O IMPLÍCITA, QUE NO SEA LA QUE SE INDICA LÍNEAS ARRIBA EN RELACIÓN A ESTE PRODUCTO FREEMAN. TODA GARANTÍA IMPLÍCITA TENDRÁ UNA DURACIÓN LIMITADA AL PERÍODO DE GARANTÍA APLICABLE QUE SE MENCIONA AQUÍ. ALGUNOS ESTADOS NO PERMITEN LIMITACIONES SOBRE CUÁNTO TIEMPO DURA UNA GARANTÍA IMPLÍCITA, POR LO QUE LO AQUÍ CONSIGNADO PODRÍA NO APLICARSE A SU CASO. SUS RECURSOS LEGALES SE LIMITAN ÚNICA Y EXCLUSIVAMENTE A LO AQUÍ CONSIGNADO. EN NINGÚN CASO PGP SERÁ RESPONSABLE POR DAÑOS INDIRECTOS, FORTUITOS O CUANTIFICABLES, POR LO QUE LA LIMITACIÓN O EXCLUSIÓN AQUÍ CONTENIDA PUEDE NO APLICARSE A SU CASO. EN NINGÚN CASO, SEA COMO RESULTADO DE UN INCUMPLIMIENTO DE CONTRATO, DE GARANTÍA, AGRAVIO (INCLUYENDO NEGLIGENCIA) U OTRO, LA RESPONSABILIDAD DE PGP EXCEDERÁ

EL PRECIO DEL PRODUCTO QUE DIO ORIGEN AL RECLAMO DE GARANTÍA O A LA RESPONSABILIDAD. TODA OBLIGACIÓN RELACIONADA CON EL USO DE ESTE PRODUCTO TERMINARÁ AL VENCIMIENTO DEL PERÍODO DE GARANTÍA AQUÍ ESPECIFICADO. NINGÚN EMPLEADO O REPRESENTANTE DE PGP, O CUALQUIER OTRO AGENTE O DISTRIBUIDOR, ESTÁ AUTORIZADO A REALIZAR CAMBIOS O MODIFICACIONES A ESTA GARANTÍA.

La presente garantía le da al comprador derechos legales específicos. El comprador podría tener otros derechos que varían de un estado a otro.

ESTAS GARANTÍAS ESTÁN SUJETAS A CAMBIO SIN PREVIO AVISO.

FREEMAN

**MODÈLE : PFL618BR/
PFL618C**

**CLOUEUSE À PLANCHER 3 EN 1
POUR LES AGRAFES, LES POINTES
TÊTES T ET L**

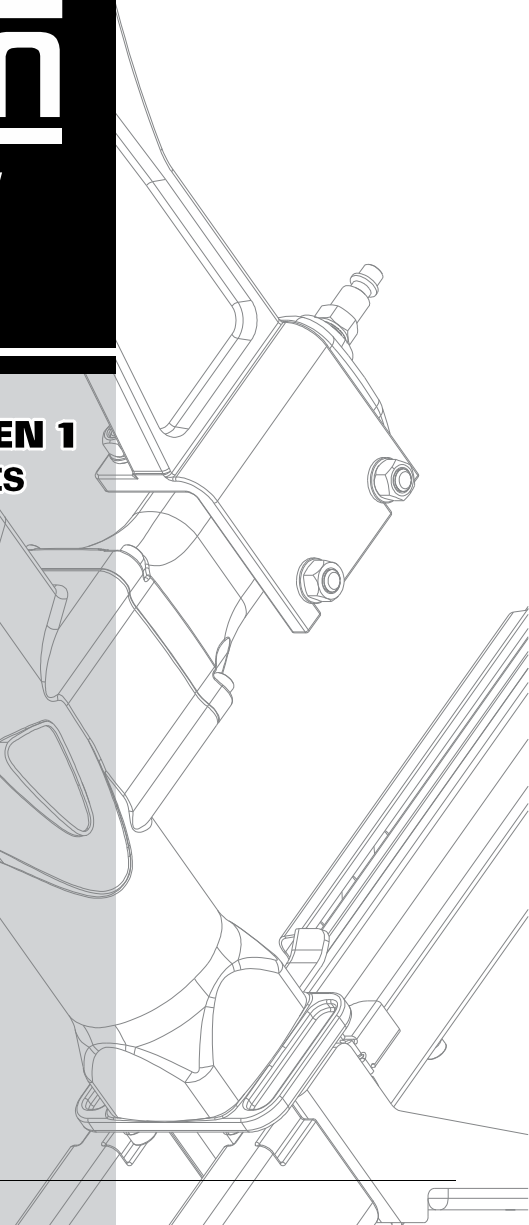
- [HTTP://WWW.FREEMANTOOLS.COM](http://www.freemantools.com)
- 1-888-669-5672
- PRIME GLOBAL PRODUCTS, INC.



AVERTISSEMENT:

Tout manquement aux mises en garde pourrait résulter en MORT D'HOMME OU DES BLESSURES GRAVES.

CONSERVEZ CE MANUEL POUR RÉFÉRENCE ULTÉRIEURE.



RÈGLES DE SÉCURITÉ GÉNÉRALES	P38
DÉBALLAGE	P41
CARACTÉRISTIQUES	P41
OPÉRATION	
PRÉPARER L'OUTIL	P41
CHARGEMENT DES T CLOUS	P42
CHARGEMENT DES L CLOUS	P43
CHARGEMENT D'AGRAFES	P44
DÉCHARGEMENT DE CLOU ET D'AGRAFE	P45
CHANGER LA PLAQUE DE PIED	P45
RÉGLAGE DE LA PRESSION D'AIR	P46
UTILISATION DE L'OUTIL	P46
NETTOYAGE DES BLOCAGES	P47
ENTRETIEN	P48
RACCORD RECOMMANDÉ	P49
DÉPANNAGE	P50
USURE DES PIÈCES	P52
GARANTIES	P52

⚠ AVERTISSEMENT:

Les avertissements et les précautions décrits dans le manuel ne peuvent pas couvrir toutes les conditions et situations possibles qui peuvent se produire. L'utilisateur doit comprendre que le bon sens et la prudence sont des facteurs qui ne peuvent pas être incorporés dans ce produit, mais doivent être fournis par l'utilisateur.

CONSERVEZ CE MANUEL



- Conservez ce manuel pour les mises en garde, les précautions, les utilisations, les inspections et l'entretien. Conservez ce manuel ainsi que le reçu dans un emplacement sûr et sec pour une référence future.

⚠ AVERTISSEMENT:

Pour éviter de sérieuses blessures corporelles, n'essayez pas d'utiliser ce produit avant d'avoir lu le manuel et de le comprendre complètement. Conservez ce manuel et révisiez-le fréquemment pour continuer à fonctionner en toute sécurité et informez les autres utilisateurs de cet outil.

SYMBOLES

- Dans ce manuel, sur les étiquettes, les paquets et toute autre information fournie avec cet outil. Les mots de signal et les significations suivants sont destinés à expliquer les niveaux de risque associés à cet outil.

SYMBOLES	INDICATEUR	DÉFINITION
	AVERTISSEMENT :	Indique une situation potentiellement dangereuse qui, si elle n'est pas évitée, Pourrait entraîner la mort ou des blessures graves.
	MISE EN GARDE :	Indique une situation potentiellement dangereuse qui, si elle n'est pas évitée, Pourrait entraîner la mort ou des blessures graves.
	MISE EN GARDE :	(Sans symbole) Indique une situation qui peut entraîner dommages à la propriété.

RÈGLES DE SÉCURITÉ GÉNÉRALES

INSTRUCTIONS RELATIVES AU RISQUE D'INCENDIE, À L'ÉLECTROCUTION OU AU RISQUE DE BLESSURES.

AVERTISSEMENT

Lors de l'utilisation des outils, il est toujours essentiel de suivre les mesures de sécurité de base, y compris celles qui suivent:

PROPOSITION 65 DE LA CALIFORNIE

AVERTISSEMENT

Ce produit peut vous exposer à des produits chimiques, y compris le plomb, ce qui est connu de l'État de Californie pour causer le cancer. Pour plus d'informations, allez à www.P65Warnings.ca.gov.

AIRE DE TRAVAIL

- Garder la zone de travail propre et bien éclairée. Des établis encombrés et des endroits sombres accroissent les risques d'accidents.
- Ne pas faire fonctionner l'outil dans des atmosphères explosives, par exemple en présence de liquides, de gaz ou de poussières inflammables. L'outil crée une étincelle qui peut enflammer des liquides inflammables, des gaz ou de la poussière.
- Éloigner les spectateurs, les enfants et les autres personnes lors de l'utilisation de l'outil. Les distractions peuvent entraîner une utilisation inappropriée et causer des blessures.

- Évitez les ratés involontaires. Soyez toujours prudent pour éviter de tirer accidentellement. Ne pointez pas sur vous-même ou n'importe qui d'autre indépendamment du fait qu'il contient des attaches ou non.

SÉCURITÉ PERSONNELLE

- Toujours porter une protection oculaire. L'opérateur et les autres personnes dans la zone de travail doivent toujours porter des lunettes de sécurité homologuées ANSI munies d'écrans latéraux. La protection des yeux est utilisée pour se protéger contre les attaches et les débris, ce qui peut causer de graves lésions oculaires.
- Toujours porter une protection auditive lorsque vous utilisez l'outil. Une exposition prolongée à un bruit de haute intensité peut provoquer une perte auditive.
- Utiliser un équipement de sécurité. Un masque antipoussières, des chaussures de sécurité antidérapantes et un casque doivent être utilisés dans les conditions applicables. Portez un masque facial complet si vous produisez des limes de métal ou des copeaux de bois.
- Habillez-vous correctement. Ne portez pas de vêtements amples ou de bijoux. Contient les cheveux longs. Gardez vos cheveux longs, vos vêtements et vos gants loin des pièces en mouvement. Des vêtements amples, des bijoux ou des cheveux longs peuvent être pris dans des pièces en mouvement.
- Restez alerte, regardez ce que vous faites et utilisez le bon sens lorsque vous utilisez un outil électrique. N'utilisez pas l'outil lorsque vous êtes fatigué ou sous l'influence de drogues, d'alcool ou de médicaments. Un moment d'inattention pendant l'utilisation de l'outil peut causer des blessures graves.

- Éviter les tirs involontaires. Tenez les doigts éloignés de la marteau lorsque vous n'utilisez pas les fixations, surtout lorsque vous raccordez l'outil à l'alimentation en air.
- Gardez une bonne assise et un bon équilibre à tout moment. Une bonne stabilité et un bon équilibre permettent un meilleur contrôle de l'outil dans des situations inattendues.
- Ne pas utiliser sur une échelle ou des supports instables. Un pied stable sur une surface solide permet un meilleur contrôle de l'outil dans des situations inattendues.
- Assurez-vous que le tuyau est libre d'obstructions ou d'accrocs. Des tuyaux enchevêtrés ou grondés peuvent entraîner une perte d'équilibre ou de fond et peuvent être endommagés, ce qui peut entraîner des blessures.
- Lavez vos mains après avoir manipulé l'outil. Cet outil ou son cordon d'alimentation peut contenir des produits chimiques reconnus par l'État de Californie comme causant des cancers et des malformations congénitales ou comme étant nocifs au système reproducteur.

UTILISATION ET ENTRETIEN DE L'OUTIL

- Connaître cet outil. Lire attentivement le manuel, en connaître les applications et les limites, ainsi que les dangers spécifiques liés à cet outil.
- Utilisez uniquement des fixations recommandées pour vos modèles. N'utilisez pas de fixations incorrectes ou ne chargez pas correctement les fixations.
- Vérifier le mauvais alignement ou la fixation des pièces mobiles, la rupture des pièces et toute autre condition pouvant affecter le fonctionnement de l'outil. En cas d'endommagement, faire réparer l'outil avant de l'utiliser. De nombreux accidents sont causés par des outils mal entretenus.
- Entretenir les outils avec soin. Garder l'outil propre. Un outil correctement entretenu, réduit le risque de liaison et est plus facile à contrôler.
- Rangez les outils hors de la portée des enfants et des autres personnes non formées. Les outils sont dangereux entre les mains d'utilisateurs non formés.
- Vérifier le fonctionnement de l'outil avant utilisation.
- Ne pas forcer l'outil. Utilisez l'outil approprié pour votre application. L'outil approprié fera le travail mieux et plus sûr au taux pour lequel il est conçu.

- Utilisez des pinces ou un autre moyen pratique pour fixer et soutenir la pièce sur une plate-forme stable. La tenue d'un outil à la main ou contre le corps est instable et peut entraîner une perte de contrôle.
- Gardez l'outil et sa poignée secs, propres et exempts d'huile et de graisse. Toujours utiliser un chiffon propre lors du nettoyage. N'utilisez jamais de liquide de frein, d'essence, de produits à base de pétrole ou de solvants forts pour nettoyer votre outil.
- N'utilisez pas l'outil comme un marteau.
- N'utilisez jamais cet outil d'une manière qui pourrait amener une attache à être dirigée vers autre chose que la pièce.
- N'utilisez jamais d'essence ou d'autres liquides inflammables pour nettoyer l'outil. N'utilisez jamais l'outil en présence de liquides ou de gaz inflammables. Une étincelle pourrait enflammer la vapeur, ce qui risquerait de causer une explosion qui pourrait se solder par mort d'homme ou des blessures graves.
- Attachez toujours à l'outil un raccord de façon à ce que tout l'air comprimé soit retiré de l'outil lorsque le joint d'accouplement est déconnecté. N'utilisez pas de clapet de non-retour ou tout autre tuyau qui permet à l'air de demeurer dans l'outil. Cela pourrait se solder par mort d'homme ou des blessures graves.
- Ne transportez jamais l'outil en le tenant par le tuyau d'air. Ne tirez jamais sur le tuyau pour déplacer l'outil ou un compresseur. Gardez les tuyaux éloignés des sources de chaleur, de l'huile et des bords coupants. Remplacez tout tuyau endommagé, fragile ou usé. Cela pourrait causer des dommages à l'outil ou des blessures.
- Assurez-vous toujours que l'outil contient des attaches. Votre outil est un instrument de travail, pas un jouet.
- Ne laissez pas tomber l'outil et ne le lancez pas. Faire tomber ou lancer l'outil pourrait l'endommager et le rendre inutilisable ou non sécuritaire. Si l'outil est tombé ou a été lancé, vérifiez qu'il ne présente aucune pièce pliée, fissurée ou brisée et qu'il n'y a pas de fuite d'air. Cessez d'utiliser l'outil et faites-le réparer afin d'éviter les blessures graves.
- Évitez d'utiliser l'outil lorsque le magasin est vide. Cela entraîne l'usure accélérée de l'outil.
- Nettoyez et vérifiez tous les tuyaux d'air et raccords avant de connecter l'outil à une source d'alimentation en air. Remplacez tout tuyau ou raccord endommagé ou usé. Négliger

tuyau ou raccord endommagé ou usé. Négliger de le faire pourrait contribuer à réduire la performance ou la durabilité de l'outil.

- Portez toujours l'outil par la poignée. Ne jamais transporter l'outil par le tuyau d'air.
- N'utilisez pas l'outil s'il a une fuite d'air ou ne fonctionne pas correctement.
- Ne pas utiliser l'outil s'il ne contient pas d'étiquette d'avertissement lisible.

RÉPARATION DE L'OUTIL

- N'utilisez que des accessoires identifiés par le fabricant pour le modèle d'outil spécifique.
- L'utilisation de pièces non autorisées ou le non-respect des consignes d'entretien peut créer un risque de blessure.
- Utilisez uniquement les lubrifiants fournis avec l'outil ou spécifiés par le fabricant.
- Le service d'outillage doit être effectué uniquement par un personnel de réparation qualifié.
- L'outil ne doit être réparé que par du personnel qualifié.

FONCTIONNEMENT

- Ne pas toucher les fixations près du bord de la pièce à usiner. La pièce à usiner peut se fendre en causant la fixation ou le ricochet, vous blessant potentiellement ou les personnes autour de vous.
- Ne pas toucher les fixations au - dessus d'autres fixations ou avec l'outil à un angle excessivement raide car cela pourrait provoquer un fléchissement des fixations qui pourrait causer des blessures.
- Ne pas actionner l'outil à moins d'avoir l'intention d'enfoncer une attache dans la pièce.
- Toujours manipuler l'outil avec précaution:
 - ◆ Respecter l'outil comme outil de travail.
 - ◆ Ne vous engagez jamais à jouer.
 - ◆ Maintenez les autres à une distance de sécurité de l'outil lorsque l'outil est en marche, car un déclenchement accidentel peut se produire, ce qui pourrait causer des blessures.

ALIMENTATION ET CONNEXIONS D'AIR

- Le connecteur de l'outil ne doit pas maintenir la pression lorsque l'alimentation en air est déconnectée. Si un raccord incorrect est utilisé, l'outil peut rester chargé d'air après avoir été déconnecté et ainsi être capable de conduire une attache même après que la ligne

d'air est déconnectée, pouvant causer des blessures.

- N'utilisez pas d'oxygène, de gaz combustibles ou de gaz en bouteille comme combustibles ou de gaz en bouteille comme source d'alimentation pour cet outil. Une explosion peut se produire, causant des blessures ou la mort.
- N'utilisez pas de gaz réactif, y compris, mais sans s'y limiter, l'oxygène et les gaz combustibles, comme source d'énergie. Utiliser uniquement de l'air comprimé filtré, lubrifié et régulé. L'utilisation d'un gaz réactif au lieu d'air comprimé peut provoquer l'explosion de l'outil, ce qui entraînera la mort ou des blessures graves.
- Utilisez uniquement une source d'air comprimé réglée pour limiter la pression d'air fournie à l'outil. La pression régulée ne doit pas dépasser 793 kPa. Si le régulateur échoue, la pression fournie à l'outil ne doit pas dépasser 793 kPa. L'outil pourrait exploser et causer la mort ou des blessures graves.
- Débranchez toujours la source d'air:
 - ◆ Avant de procéder au déchargement ou de faire des ajustements.
 - ◆ Lors du maintien de l'outil.
 - ◆ Lors de la suppression d'un bourrage.
 - ◆ En touchant le joug de sécurité.
 - ◆ Lorsque l'outil n'est pas utilisé.
 - ◆ Lorsque vous déménagez dans une zone de travail différente.

Ces mesures de précaution réduisent le risque de blessures pour les personnes.

CHARGEMENT DE L'OUTIL

- Ne chargez pas l'outil avec des fixations si un des contrôles d'utilisation est activé.
- Ne mettez jamais une main ni aucune autre partie du corps près de l'endroit de sortie des fixations de l'outil.
- Ne pointez jamais l'outil vers personne.

AVERTISSEMENT:

Les avertissements et les précautions décrits ci-dessus ne peuvent pas couvrir toutes les conditions et situations possibles qui peuvent se produire. L'utilisateur doit comprendre que le bon sens et la prudence sont des facteurs qui ne peuvent pas être incorporés dans ce produit, mais doivent être fournis par l'utilisateur.

DÉBALLAGE

- Cet outil a été expédié entièrement assemblé.
- Assurez-vous que tous les éléments qui figurent sur le bordereau d'expédition sont inclus.
- Retirez soigneusement l'outil et les accessoires de la boîte.
- Inspectez attentivement l'outil pour vous assurer qu'aucun bris ou dommage n'est survenu pendant l'expédition.
- Ne jetez pas l'emballage tant que vous n'avez pas inspecté attentivement l'outil et que vous ne l'avez pas utilisé de façon satisfaisante.
- En cas de pièces manquantes ou endommagées, veuillez composer le 1-888-669-5672.

AVERTISSEMENT:

Si des pièces manquent, ne pas utiliser cet outil tant que les pièces manquantes n'ont pas été remplacées. Ne pas le faire pourrait entraîner de graves blessures corporelles.

AVERTISSEMENT:

Ne tentez pas de modifier cet outil ou de créer des accessoires dont l'utilisation n'est pas recommandée avec cet outil. Une telle altération ou modification est considérée comme une utilisation abusive et risque de créer une situation dangereuse pouvant entraîner des blessures graves.

CARACTÉRISTIQUES

SPÉCIFICATIONS

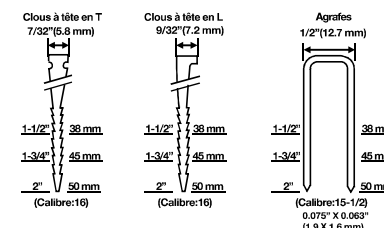
Pression de fonctionnement: 483-793 kPa

Capacité du magasin: L: 100 pièces
T: 100 pièces
U: 120 pièces

Poids de l'outil: 5,2 kgs

Admission d'air: 0,63 cm (1/4 po) NPT

Attaches :



Compatible avec les agrafes de 1/2 po, les pointes têtes T et les pointes têtes L de marques et génériques.

CARACTÉRISTIQUES

- **CONCEPTION RÉVOLUTIONNAIRE 3 EN 1**
Pour utilisation avec les agrafes, les pointes têtes T et les pointes têtes L.
- **NO-MAR DESIGN**
Fournit une protection accrue contre les déchirures lorsque vous travaillez avec une surface de plancher fini.
- **POIGNÉE DE CONCEPTION ERGONOMIQUE**
Pour une utilisation facile et une fatigue réduite.
- **MAGASIN EN ALUMINIUM ANODISÉ**
Pour une durabilité durable.
- **CONSTRUCTION DURABLE.**
Léger et durablement construit en aluminium de haute résistance et les pièces en acier traité thermiquement.
- **MALLET INCLUS.**

OPÉRATION

PRÉPARER L'OUTIL

- PFL618BR est pré-assemblé avec la partie de bras.
- Le PFL618C est livré avec la partie de bras détachée du corps principal. Assemblez la partie du bras sur l'outil si nécessaire. (Voir figures 1 et 2)

Figure 1

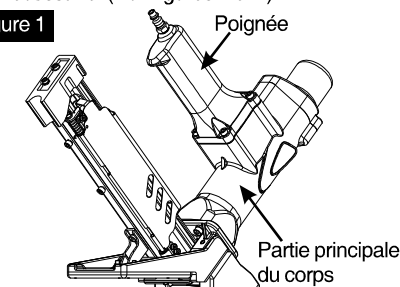
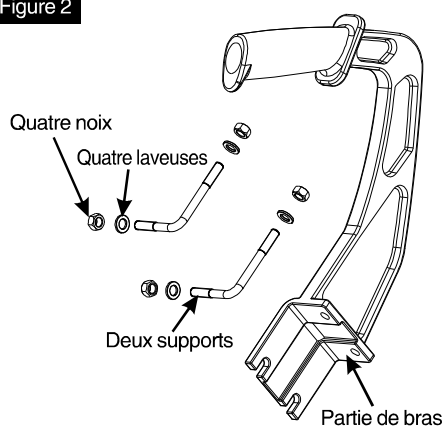


Figure 2



REMARQUE:

Assurez-vous que tous les éléments énumérés ci-dessus dans l'image sont inclus dans l'emballage, sinon, appelez 1-888-669-5672.

Suivez ces instructions pour préparer l'outil d'utilisation.

1. Placez le bras contre la poignée et faites glisser les supports à travers les fentes et trous des trous de bras. Enfiler les rondelles et les écrous sur les extrémités des supports.
2. Serrer les écrous à clé jusqu'à ce que les supports soient fixés et que le bras soit verrouillé contre la poignée.

Figure 3

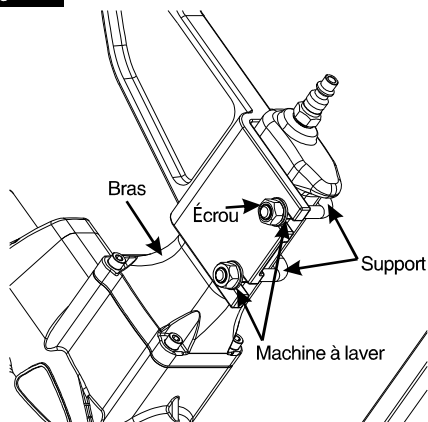
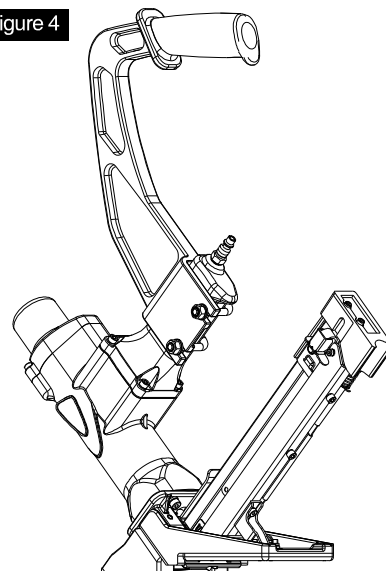


Figure 4



Cloueuse de plancher préparée

⚠ AVERTISSEMENT:

Si des pièces manquent, ne pas utiliser cet outil tant que les pièces manquantes n'ont pas été remplacées. Avant d'utiliser cet outil, assurez-vous que la partie de bras et la partie de corps principal sont bien vissées ensemble. Ne pas le faire pourrait entraîner de graves blessures corporelles.

CHARGEMENT DES CLOUS À TÊTE ENT

1. Raccorder l'outil à la source d'air.
2. Tirez le poussoir (A) à l'extrémité du magasin. Verrouiller le poussoir à l'aide du bouton de verrouillage (B). (Voir figures 5 et 6)
3. Insérez la bande de taquets T dans le magasin à partir du haut. Vous pouvez charger jusqu'à 100 clous de clous dans le magasin (voir la figure 7).
4. Appuyez sur le bouton de verrouillage (B), laissez le poussoir (A) glisser vers l'avant et engagez la fixation. Le poussoir (A) s'arrête quand il repose contre l'extrémité des clous de clou. (Voir figure 8)

Figure 5

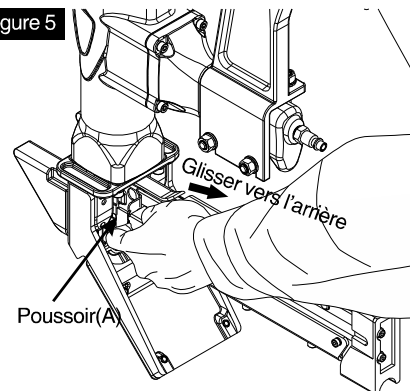


Figure 6

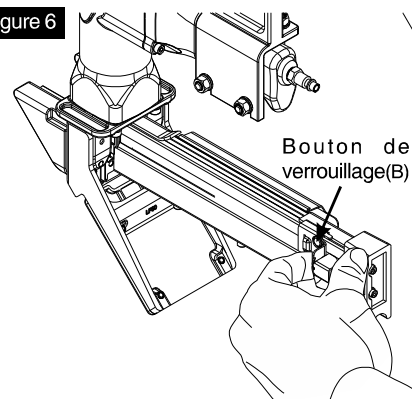


Figure 7

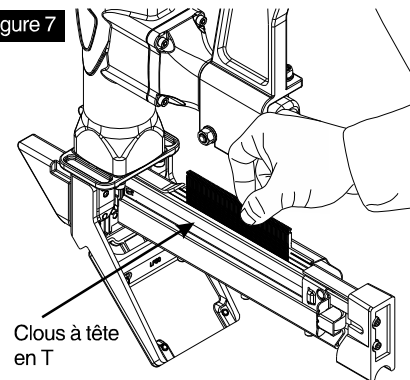
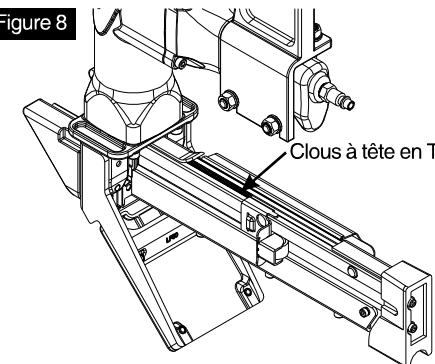


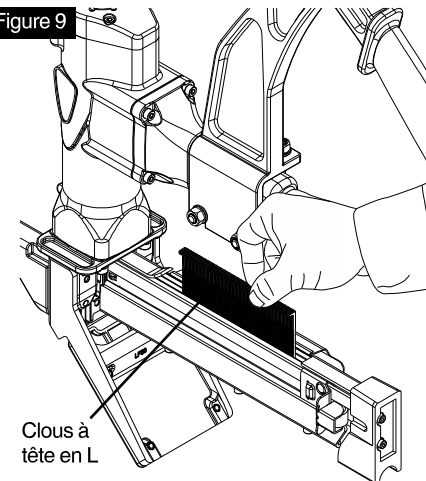
Figure 8

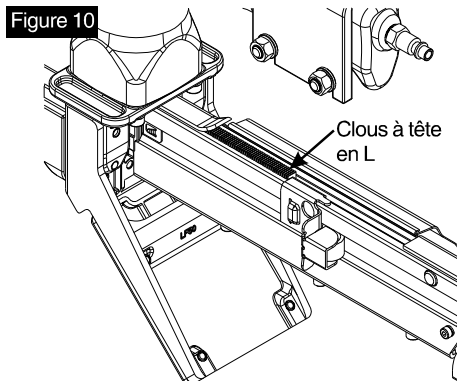


CHARGEMENT DES CLOUS À TÊTE EN L

1. Raccorder l'outil à la source d'air.
2. Tirez le poussoir (A) à l'extrémité du magasin. Verrouiller le poussoir à l'aide du bouton de verrouillage (B). (Voir figures 5 et 6)
3. Insérez la bande de taquets L dans le magasin à partir du haut. Jusqu'à 100 clous peuvent être chargés dans le magasin. A noter que, lors du chargement des taquets L, le côté de la tête L doit se trouver à gauche du magasin. (Voir figure 9)
4. Appuyez sur le bouton de verrouillage (B), laissez le poussoir (A) glisser vers l'avant et engagez la fixation. Le poussoir (A) s'arrête quand il repose contre l'extrémité des clous de clou. (Voir figure 10)

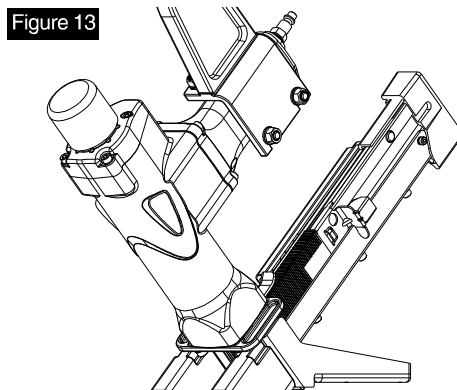
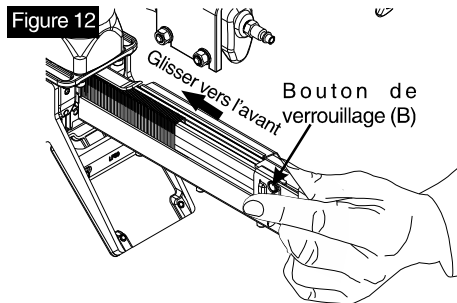
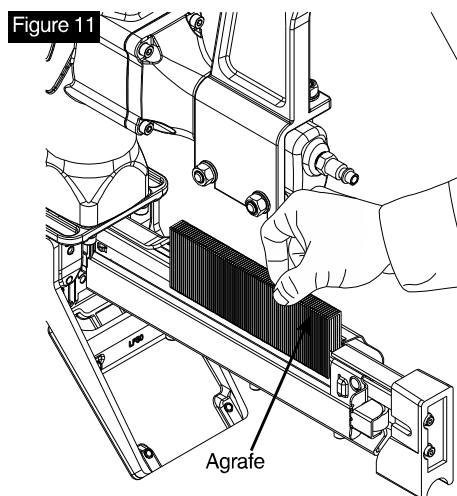
Figure 9





CHARGEMENT D'AGRAFES

1. Raccorder l'outil à la source d'air.
2. Tirez le poussoir (A) à l'extrémité du magasin. Verrouiller le poussoir à l'aide du bouton de verrouillage (B). (Voir figures 5 et 6)
3. Insérez un clip complet de 1/2 po d'agrafes couronne dans le magasin à partir du haut. Vous pouvez charger jusqu'à 120 pièces dans le magasin (voir figure 11).
4. Appuyez sur le bouton de verrouillage (B), laissez le poussoir (A) glisser vers l'avant et engagez les agrafes. Le poussoir (A) s'arrête quand il repose contre la fin des agrafes. (Voir figures 12 et 13)



⚠ AVERTISSEMENT:

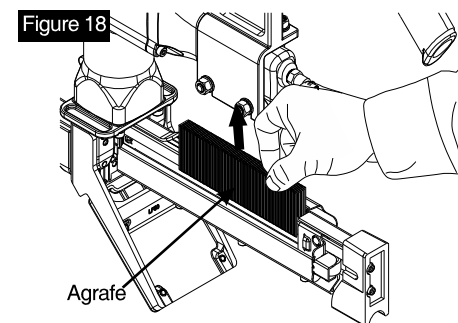
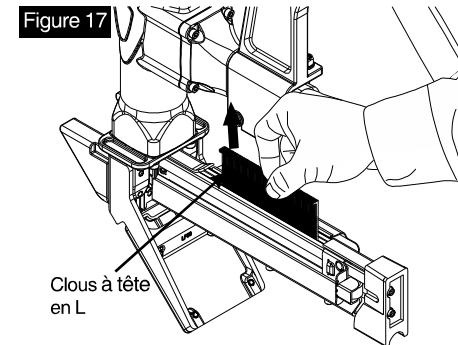
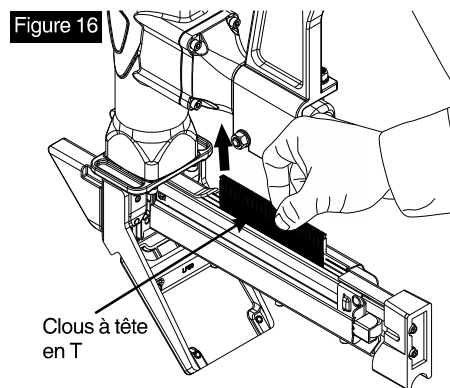
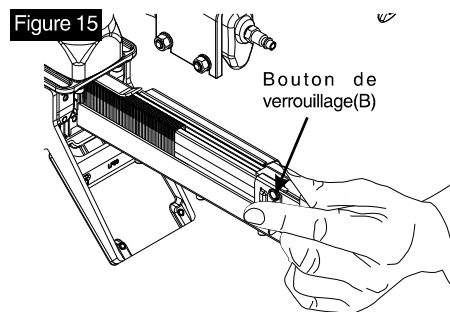
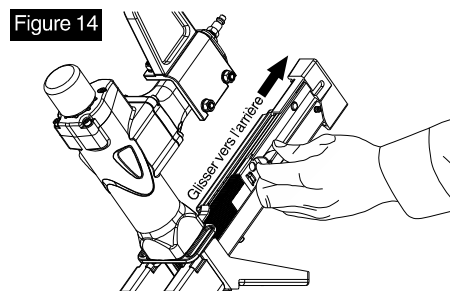
L'outil peut se déclencher lors de la première connexion à la source d'air. Toujours connecter l'outil à la source d'air avant de charger les attaches pour éviter les blessures causées par le cyclage involontaire. Assurez-vous toujours que le magasin de l'outil est vide au début de chaque séance de travail, avant de le connecter à une source d'air.

⚠ AVERTISSEMENT:

Utilisez uniquement les fixations recommandées pour cet outil. Les éléments de fixation non identifiés pour être utilisés avec cet outil par le fabricant de l'outil peuvent entraîner un risque de blessures ou de dommages aux outils lorsqu'ils sont utilisés dans cet outil.

DÉCHARGEMENT DE CLOU ET D'AGRAFE

1. Débrancher l'outil de la source d'air.
2. Tirez le poussoir à l'extrémité du magasin jusqu'à ce qu'il soit verrouillé dans le bouton de verrouillage. (Voir figures 14 et 15).
3. Déchargez les clous ou les agrafes du magasin. (Voir figures 16 et 17 et 18.)



CHANGER LA PLAQUE DE PIED

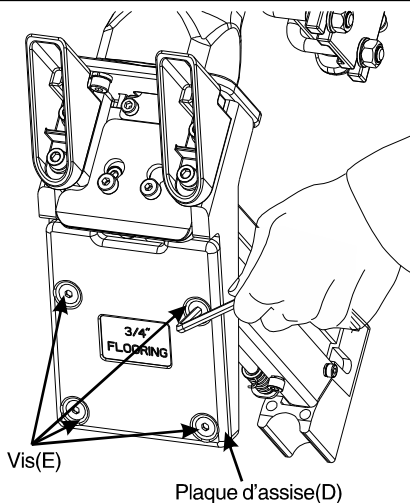
L'outil est doté d'une usine pré-installé 3/4 po (1,9cm) pied plate(D) et désinstallé un supplément 5/8 po (1,58cm) & 9/16 po (1,43cm) repose-pied. Pour changer la plaque :

1. Déconnectez l'outil de l'alimentation en air.
2. Videz entièrement le magasin.
3. Déclenchez l'outil en visant des retailles de bois pour vous assurer qu'il n'y reste pas d'air comprimé ou de fixations.
4. Posez l'outil sur le côté de manière à ce que les quatre vis soient visibles (E).
5. Retirez les quatre vis (E), puis la plaque d'assise.
6. Alignez les quatre trous des vis de la plaque d'assise de rechange avec les quatre trous de montage filetés.
7. À l'aide des quatre vis que vous venez de retirer, fixez la plaque d'assise de remplacement sur l'outil.
8. Assurez-vous que la bonne plaque d'assise est installée en la déclenchant en tirant vers des retailles de bois du revêtement de sol et En vérifiant si la fixation est placée convenablement.

▲ AVERTISSEMENT:

Débranchez l'outil de la source d'air lorsque vous remplacez la plaque d'assise.

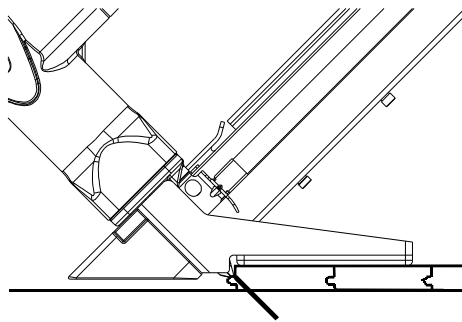
Assurez-vous qu'il n'y a aucune fixation dans le magasin avant de remplacer la plaque d'assise.



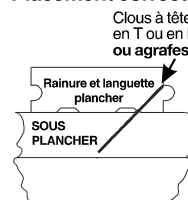
- Appuyez fermement pour que la plaque de pied (D) soit fermement en contact avec la surface de travail. Puis, en utilisant le maillet emballé avec l'outil, frappez fermement le chapeau de marteau (K) pour enfoncer la fixation dans la surface de travail. Soulevez l'outil de la surface de travail. Répétez ce processus jusqu'à ce que le travail soit terminé.
- Lorsque vous avez terminé, assurez-vous de ranger l'outil dans un endroit propre, sec et en sécurité, hors de la portée des enfants et d'autres personnes non autorisées.

Rainure et Languette plancher

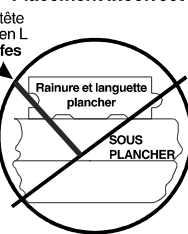
La cloueuse de plancher est conçue pour le sol de rainure et de rainure seulement. Placez la cloueuse à fleur sur la surface de travail et assurez-vous que vous frappez à la langue du plancher de bois franc.



Placement correct



Placement incorrect



REMARQUE:

S'il vous plaît suivez la ligne directrice de votre fabricant de bois lors de vos installations de revêtement de sol.

▲ AVERTISSEMENT:

Gardez l'outil loin de vos pieds.

RÉGLAGE DE LA PRESSON D'AIR

- La pression d'air requise dépend de la dimension des fixations et du matériau de la pièce avec laquelle vous travaillez.
- Commencez par évaluer la profondeur en enfonçant un clou d'essai dans un matériau du même type que celui que vous utiliserez lorsque vous travaillerez réellement.
- Enfoncez une fixation d'essai avec une pression d'air de 621kPa - 655kPa.
- Haussez et baissez la pression d'air pour trouver le plus bas réglage pour effectuer la tâche avec des résultats constants.

UTILISATION DE L'OUTIL

- Fixez l'outil à la source d'air. Démarrez votre compresseur et vérifiez la pression, en vous assurant qu'il est réglé entre 483-793 Kpa. Ne pas dépasser le maximum de 793 Kpa.
- Tenez fermement la poignée (J) et appuyez sur la plaque de pied (D) sur la surface de travail. Assurez-vous que la plaque est sur la position cible de la fixation.

▲ AVERTISSEMENT:

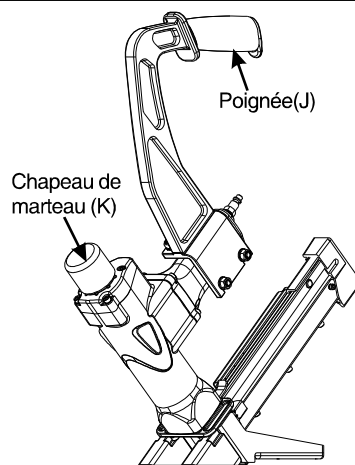
Une extrême prudence doit être utilisée lorsque cet outil est connecté à une ressource aérienne. Si l'outil tombe ou si le chapeau de marteau (K) est accidentellement frappé, l'outil déclenche une attache, pouvant causer des BLESSURES PERSONNELLES GRAVES.

▲ AVERTISSEMENT:

Avant d'utiliser l'outil sur un plancher, essayez-le sur des retailles de bois. Réglez la profondeur d'enfoncement en augmentant ou en baissant la pression d'air. Ne dépassez jamais 793 kPa.

▲ AVERTISSEMENT:

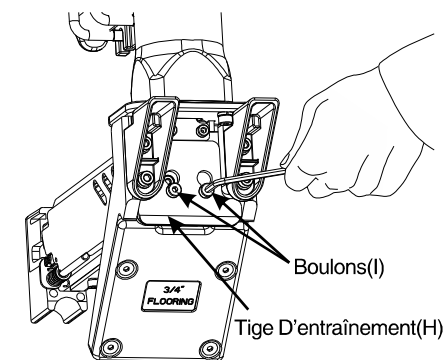
Un outil qui ne fonctionne pas correctement ne doit pas être utilisé. Ne pas activer l'outil à moins qu'il soit placé bien fermement sur la pièce.

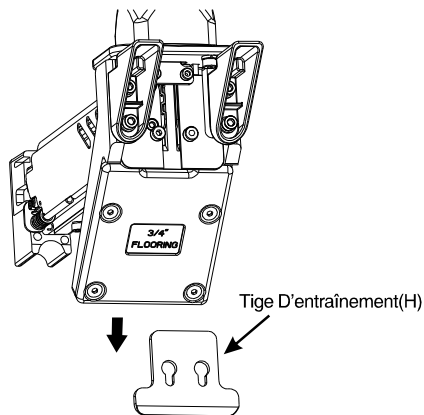


NETTOYAGE DES BLOCAGES

Il arrive parfois qu'une fixation se coince dans le mécanisme de déclenchement de l'outil, ce qui le rend inutilisable. Pour retirer une fixation bloquée, suivez les étapes suivantes :

- Débranchez l'outil de l'alimentation en air.
- Videz le magasin. Assurez-vous que toutes les fixations sont retirées.
- Tentez de déclencher l'outil en l'orientant vers des retailles de bois ou le plancher pour vous assurer qu'il ne peut tirer de fixations.
- Posez l'outil sur le côté de manière à ce que les deux boulons (I) soient sous les exposés.
- Desserrez les boulons (I) et retirez le Tige D'entraînement (H) pour exposer l'attache bloquée.
- Retirez l'attache coincée en utilisant des pinces ou tournevis si nécessaire.
- Remettez la Tige D'entraînement (H) et les boulons (I) en place.
- Reconnectez la source d'alimentation d'air à l'outil, Rechargez les attaches dans l'outil.
- Appuyez la Tige D'entraînement (H) contre un bout de bois, puis tirez plusieurs coups d'essai avec les fixations pour vérifier si l'outil fonctionne bien. Si l'outil tire bien, vous pouvez continuer de l'utiliser. Si l'outil ne fonctionne pas adéquatement, arrêtez immédiatement de l'utiliser et faites-le réparer par un technicien qualifié en réparation.





ANTIPOUSSIÈRES

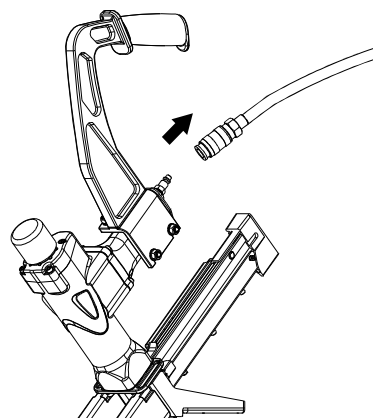
L'emballage de chaque outil contient un capuchon antipoussière sur le connecteur d'air, vérifiez-le après le déballage.

Laissez le capuchon en place sur le connecteur d'air lorsque l'outil n'est pas utilisé afin d'éviter que des débris s'y introduisent.

LUBRIFICATION

Une lubrification fréquente, sans être excessive, est requise pour un rendement optimal. L'huile pour l'outil ajoutée par le raccord de la conduite d'air permet de lubrifier les pièces internes. N'ajoutez pas d'huile détergente ni d'autres additifs : ces lubrifiants accéléreraient l'usure des joints et des butoirs de l'outil, ce qui nuirait à son rendement et augmenterait la fréquence des entretiens.

1. Déconnectez l'outil de la source d'alimentation en air à ajoutez lubrifiant .



2. Tournez l'outil de façon à ce que l'entrée d'air soit orientée vers le haut. Appliquez 2 ou 3 gouttes d'huile pneumatique d'outil de fastener. N'utilisez pas d'huile détergente ou d'additifs puisque ces lubrifiants causeront une usure accélérée des garnitures d'étanchéité et des tampons à l'intérieur de l'outil, ce qui entraînera un mauvais fonctionnement de l'outil et des réparations plus fréquentes.

AVERTISSEMENT:

Assurez-vous qu'il n'y a aucune fixation dans le magasin avant de nettoyer un blocage.

AVERTISSEMENT:

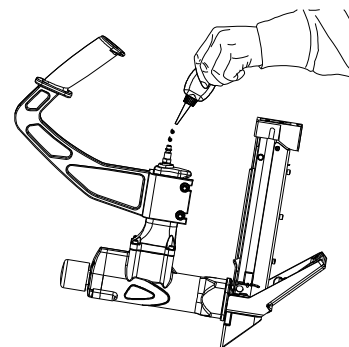
Déconnectez l'outil de la source d'alimentation en air chaque fois que vous décoinchez une attache. Après avoir déconnecté l'outil du compresseur d'air, l'outil devrait encore contenir suffisamment d'air pour se déclencher. Après avoir déconnecté le tuyau d'air, déchargez toujours plusieurs fois l'outil dans un morceau de bois au rebut afin de vous assurer que tout l'air comprimé est expulsé.

ENTRETIEN

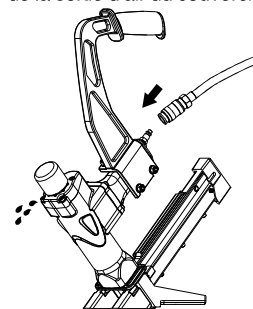
AVERTISSEMENT:

À chaque fois qu'une inspection, un entretien et un nettoyage sont effectués.

- ◆ Déconnectez l'outil de la source d'alimentation en air.
- ◆ Videz entièrement le magasin.



3. Après avoir ajouté l'huile, faites brièvement fonctionner l'outil. Essayez tout excédent d'huile de la sortie d'air du couvercle.



ATTENTION:

Lubrifiez l'outil uniquement avec les lubrifiants indiqués.

ATTENTION:

La surface de travail peut être endommagée par une lubrification excessive. Une bonne lubrification est la responsabilité du propriétaire. Si vous ne lubrifiez pas correctement l'outil, la durée de vie de l'outil sera considérablement raccourcie et la garantie sera annulée.

NETTOYAGE

Évitez d'utiliser des solvants pour nettoyer les pièces en plastique. La plupart des produits plastiques sont susceptibles d'être endommagés par l'utilisation de divers types de solvants. commerciaux utilisez des chiffons propres pour nettoyer les saletés, la poussière, l'huile, la graisse, etc.

AVERTISSEMENT:

Ne jamais laisser les liquides de frein, l'essence, les produits à base de pétrole, les huiles de pénétration, etc. entrer en contact avec des pièces en plastique. Les produits chimiques peuvent endommager, affaiblir ou détruire le plastique, ce qui peut entraîner des blessures graves.

FONCTIONNEMENT PAR TEMPS FROID

Par gel ou température proche du gel, l'humidité dans le tuyau d'air peut geler et nuire au fonctionnement de l'outil. Nous recommandons d'utiliser un lubrifiant ou un antigel permanent (éthylène glycol) pour outil pneumatique comme lubrifiant par temps froid.

ATTENTION:

Ne rangez pas les outils dans un environnement froid afin d'éviter le gel ou la formation de glace sur les valves de commande et les mécanismes de l'outil, ce qui pourrait entraîner une panne.

RACCORD RECOMMANDÉ

1. Le compresseur doit être en mesure de maintenir une pression minimale de 483Kpa lorsque l'outil est utilisé. Une mauvaise alimentation en air pourrait causer une perte de puissance et un déclenchement irrégulier.
2. Un réservoir d'huile peut être utilisé pour permettre la circulation d'huile dans l'outil. Un filtre peut être utilisé pour retirer les impuretés liquides et solides susceptibles de corroder ou d'encrasser les pièces internes de l'outil.
3. Utilisez toujours des tuyaux d'alimentation en air avec une pression d'air minimale équivalente ou supérieure à la pression de la source d'alimentation afin d'éviter une défaillance du régulateur. Ou 10,34 Kpa, Lequel est plus élevé. Utilisez un tuyau d'air de 9,53 mm (3/8 po) pouvant aller jusqu'à 15,24 m (50 pi), et utilisez 9,53mm (3/8 po) raccord rapide sur le tuyau d'air.
4. Utilisez un régulateur de pression sur le compresseur d'une pression de fonctionnement de 0 Kpa à 862 Kpa. Un

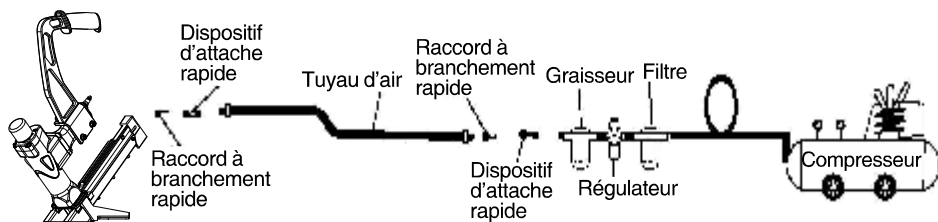
Un régulateur de pression est nécessaire pour contrôler la pression de fonctionnement de l'outil entre 483 kPa et 793 kPa.

ATTENTION:

Le compresseur d'air doit être capable de maintenir un minimum de 483 kPa lorsque l'outil est utilisé. Une alimentation insuffisante en air peut entraîner une perte de puissance et une conduite incohérente.

⚠ AVERTISSEMENT:

Ne pas raccorder à un compresseur d'air pouvant dépasser 793 kPa. Comme l'outil peut éclater, peut-être causer des blessures.



DÉPANNAGE

⚠ AVERTISSEMENT:

Cessez immédiatement d'utiliser l'outil si l'un des problèmes suivants survient. Cela pourrait entraîner des blessures graves. Les réparations et les remplacements doivent être effectués par du personnel qualifié ou un centre de service autorisé.

PROBLÈMES	CAUSES POSSIBLES	SOLUTIONS
La lame d'enfoncement ne se rétracte pas.	1. Pas ou peu de pression d'air.	1. Confirmer que la pression d'air se situe entre un minimum de 483 kPa (70psi) et un maximum de 793 kPa(115psi).
	2. Insuffisamment graissée.	2. Graisser à la main par le raccord d'alimentation en air mâle.
	3. Saleté excessive dans la cloueuse.	3. Démonter et nettoyer.
	4. Lame d'enfoncement courbée ou bavurée.	4. Remplacer la lame d'enfoncement.
	5. Joints d'étanchéité usés.	5. Remplacer tous les joints d'étanchéité.

PROBLÈMES	CAUSES POSSIBLES	SOLUTIONS
La lame d'enfoncement se rétracte lentement.	1. Basse pression d'air.	1. Régler la pression d'air entre 483 kPa (70psi) et 793 kPa (115psi).
	2. Lame d'enfoncement courbée ou bavurée.	2. Remplacer la lame d'enfoncement.
	3. Alimentation en air entravée par un orifice à ouverture réduite.	3. Utiliser des raccords pneumatiques de diamètre minimum de 6,4 mm (1/4 po).
	4. Joint torique du piston usé.	4. Remplacer le joint torique.
	5. Saleté excessive dans la cloueuse.	5. Démonter, nettoyer et graisser.
Le clou n'est pas noyé.	1. Basse pression d'air.	1. Régler la pression d'air entre 483 kPa (70psi) et 793 kPa(115psi) .
	2. Lame d'enfoncement brisée.	2. Remplacer la lame d'enfoncement.
	3. Le clou a heurté une surface dure.	3. Déplacer relativement à l'obstruction.
	4. Joint torique du piston usé.	4. Remplacer le joint torique.
	5. Nez usé.	5. Remplacer le nez.
De l'air fuit de la cloueuse.	1. Raccords d'alimentation en air lâches.	1. Serrer les connexions de tous les raccords de la conduite d'air.
	2. Joints d'étanchéité endommagés par une pression d'air excessive.	2. Confirmer que l'alimentation en air ne dépasse pas 793 kPa(115psi). Remplacer tous les joints d'étanchéité.
	3. Corps de la cloueuse fissuré ou endommagé.	3. Remplacer le corps de la cloueuse.
	4. Joints d'étanchéité usés.	4. Remplacer tous les joints d'étanchéité.
	5. Les joints d'étanchéité doivent être correctement siégés.	5. Actionner la cloueuse à sec (sans clou).
La portion inférieure de la cloueuse est brisée.	1. Actionnée sans que le tampon en caoutchouc soit installé.	1. Remplacer les pièces endommagées.
	2. Pression d'air excessive utilisée.	2. Remplacer les pièces endommagées.
Les clous se coincent dans la cloueuse.	1. Dispositifs de fixation de mauvaise taille.	1. Utiliser des agrafes couronnées de 12,7 mm (1/2 po) de calibre 15,5 ou des crampons en L et en T de 38,1 mm (1 1/2 po) à 50 mm (2 po) de calibre 16.
	2. Continuation d'utilisation après un clouage (enfoncement) raté.	2. Dégager le clou immédiatement après un clouage (enfoncement) raté.
	3. Pousse-clous endommagé ou ressort brisé.	3. Remplacer l'ensemble pousse-clous.
	4. Canal à clous lâche.	4. Serrer les vis de fixation du canal à clous.
	5. Clou courbé coincé dans le guide de clous.	5. Démonter et enlever le clou courbé.
	6. Heurté un clou enfoncé ou un autre objet dur.	6. Déplacer relativement à l'obstruction.
	7. Nez usé.	7. Remplacer le nez.
Plongeur coincé, ne bouge pas et n'enfoncé aucun clou.	1. Insuffisamment graissé.	1. Graisser à la main par le raccord d'alimentation en air mâle.

▲ AVERTISSEMENT:

N'utilisez que les pièces de rechange autorisées par Freeman. Pour toutes questions, veuillez appeler le 1-888-669-5672 ou visitez notre site web au <http://www.freemantools.com>

USURE DES PIÈCES

Les pièces de rechange peuvent être commandées en passant par notre site web. <http://www.freemantools.com>

GARANTIES DES PRODUITS PGP INC.**Garantie pour les cloueuses pneumatiques Freeman****Garantie de 7 ans pour outil professionnel**

La garantie limitée pour outil Freeman s'applique exclusivement à l'acheteur original du produit Freeman, commence à la date d'achat et exclut les pièces susceptibles de s'user. Pendant la période de garantie, Prime Global Products, Inc. (PGP) garantit expressément que le produit Freeman est exempt de défaut de matériaux et de fabrication, sous réserve des exceptions et limitations contenues dans les présentes. PGP pourra à son gré, réparer, remplacer, ou offrir un remboursement complet pour un produit Freeman présentant un défaut de matériaux ou de fabrication.

Garantie de 90 jours pour les pièces soumises à l'usure

La garantie limitée Freeman pour les pièces susceptibles de s'user étend exclusivement à l'acheteur original du produit Freeman, commence à la date d'achat, et comprend les lames d'entraînement, butoirs, joints toriques, pistons, segments de piston et joints. Pendant la période de garantie PGP garantit expressément que le produit Freeman est exempt de défaut de matériaux et de fabrication, sous réserve des exceptions et limitations contenues dans les présentes. PGP pourra à son gré, réparer, remplacer, ou offrir un remboursement complet pour un produit Freeman présentant un défaut de matériaux ou de fabrication.

UN REÇU D'ACHAT DATÉ OU UNE PREUVE D'ACHAT DE L'ACHETEUR AU DÉTAIL ORIGINAL EST REQUIS POUR FAIRE UNE RÉCLAMATION DE GARANTIE. L'enregistrement de la garantie est également nécessaire et peut être fait par notre enregistrement de produits en ligne au www.freemantools.com. Sélectionnez l'onglet SOUTIEN, sélectionnez l'onglet ENREGISTREMENT DU PRODUIT. Pour procéder à une réclamation de garantie, l'acheteur original doit retourner la cloueuse pneumatique Freeman, port payé et assuré, avec preuve d'achat à PGP ou l'un de ses centres de service autorisés. Pour toute question, veuillez composer le 1-888-669-5672. Aucuns frais, autres que les frais de poste et d'assurance, ne seront exigés pour les réparations couvertes par cette garantie.

Exclusions de la garantie

Ces garanties ne sont pas applicables lorsque :

- Des réparations ou modifications ont été apportées, ou tentées, par un tiers, et/ou une utilisation de pièces ou d'accessoires non autorisés ou non conformes a eu lieu.
- Des réparations sont nécessaires en raison de l'usure normale.
- La cloueuse pneumatique a fait l'objet d'abus, a été utilisée de façon non appropriée, incorrectement entretenue ou maniée, incluant : l'incapacité à utiliser de l'air comprimé qui soit propre, sec et régulé à la pression recommandée; les accidents causés par l'utilisation du produit Freeman après une défaillance partielle.
- Le produit Freeman est utilisé à des fins commerciales pour les chaînes de montage ou les lignes de production. Le produit Freeman est destiné à un usage personnel et ces garanties ne couvrent pas de telles utilisations commerciales.

AUCUNE GARANTIE, VERBALE OU ÉCRITE, EXPLICITE OU IMPLICITE, AUTRE QUE LES GARANTIES INDIQUÉES CI-DESSUS N'EST FAITE EN CE QUI CONCERNE CE PRODUIT FREEMAN. TOUTE GARANTIE IMPLICITE SERA LIMITÉE À LA PÉRIODE DE GARANTIE DÉFINIE CI-DESSUS. CERTAINES JURIDICTIONS NE PERMETTENT PAS LA LIMITATION DE LA DURÉE D'UNE GARANTIE IMPLICITE, AUQUEL CAS LES CLAUSES CI-DESSUS NE VOUS CONCERNENT PEUT-ÊTRE PAS. VOS RECOURS SONT UNIQUEMENT ET EXCLUSIVEMENT COMME INDIQUÉS CI-DESSUS. PGP NE SERA EN AUCUN CAS RESPONSABLE DES DOMMAGES DIRECTS, INDIRECTS, CONSÉCUTIFS OU ACCESSOIRES. CERTAINES JURIDICTIONS NE PERMETTANT PAS L'EXCLUSION OU LA LIMITATION DES DOMMAGES DIRECTS OU INDIRECTS, CES LIMITATIONS OU EXCLUSIONS PEUVENT NE PAS S'APPLIQUER À VOUS. EN AUCUN CAS, QUE CE SOIT EN RAISON D'UNE RUPTURE DE CONTRAT, LA VIOLATION D'UNE GARANTIE, UN DÉLIT

CIVIL (Y COMPRIS LA NÉGLIGENCE) OU AUTRE, LA RESPONSABILITÉ DE PGP NE DEVRA EXCÉDER LE PRIX DU PRODUIT CONCERNÉ PAR LA RÉCLAMATION OU LA RESPONSABILITÉ. TOUTE RESPONSABILITÉ RELIÉE À L'UTILISATION DE CE PRODUIT SE TERMINE À L'EXPIRATION DE LA PÉRIODE DE GARANTIE SPÉCIFIÉE CI-DESSUS. AUCUN EMPLOYÉ OU REPRÉSENTANT DE PGP, OU TOUT DISTRIBUTEUR OU REVENDEUR N'EST AUTORISÉ À PROCÉDER À TOUT CHANGEMENT OU MODIFICATION DE LA PRÉSENTE GARANTIE.

Ces garanties vous accordent des droits légaux spécifiques. Vous pouvez également avoir d'autres droits qui varient d'une juridiction à l'autre.