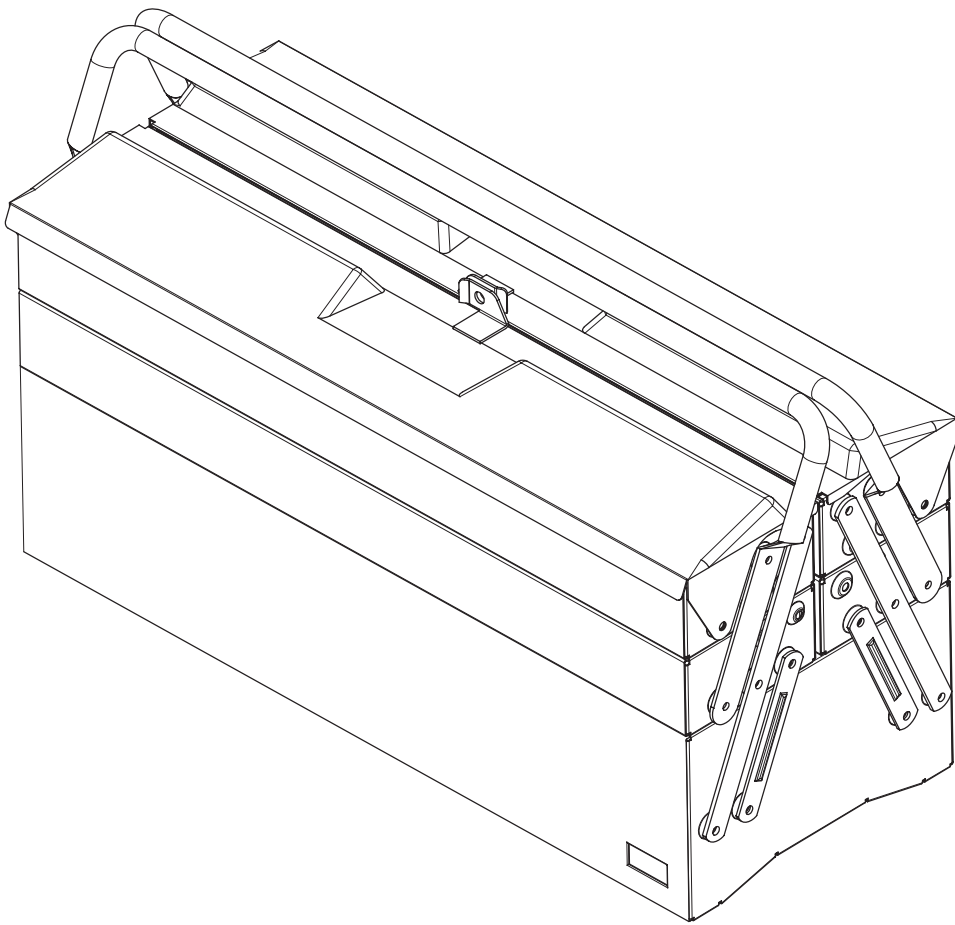


model no. TB122B

Excel®

CANTILEVER TOOLBOX



IMPORTANT:

Please read this manual carefully before installing this product and save it for reference.

**INSTRUCTION
MANUAL**

Read and follow all instructions before using this product

INSPECT this product before use. Do not use the product if you notice loose or damage parts.

DO NOT alter this product in any manner. For example, do not weld external lock bars, or attach electrical equipment to the product. Altering this product may cause personal injury or product damage.

KEEP this product on level surfaces at all times. Failure to keep this product on level surfaces may cause it to become unstable and tip, which may cause personal injury and product damage.

AVOID placing heavy loads into the toolbox at one time. Placing heavy loads in the toolbox at one time may cause damage to the toolbox.

DO NOT stand on this product. Standing on the product may cause you to fall and cause personal injury.

CLOSE and lock the toolbox before moving this product.

DO NOT allow children to play on or around the toolbox. Failure to keep children from playing on or around the toolbox may cause personal injury or product damage.

THE MAXIMUM LOAD CAPACITY FOR THE FOUR PULL-OUT TRAY SHOULD BE NO MORE THAN 5 lb

THE MAXIMUM LOAD CAPACITY FOR THE PRODUCT SHOULD BE NO MORE THAN 35 lb