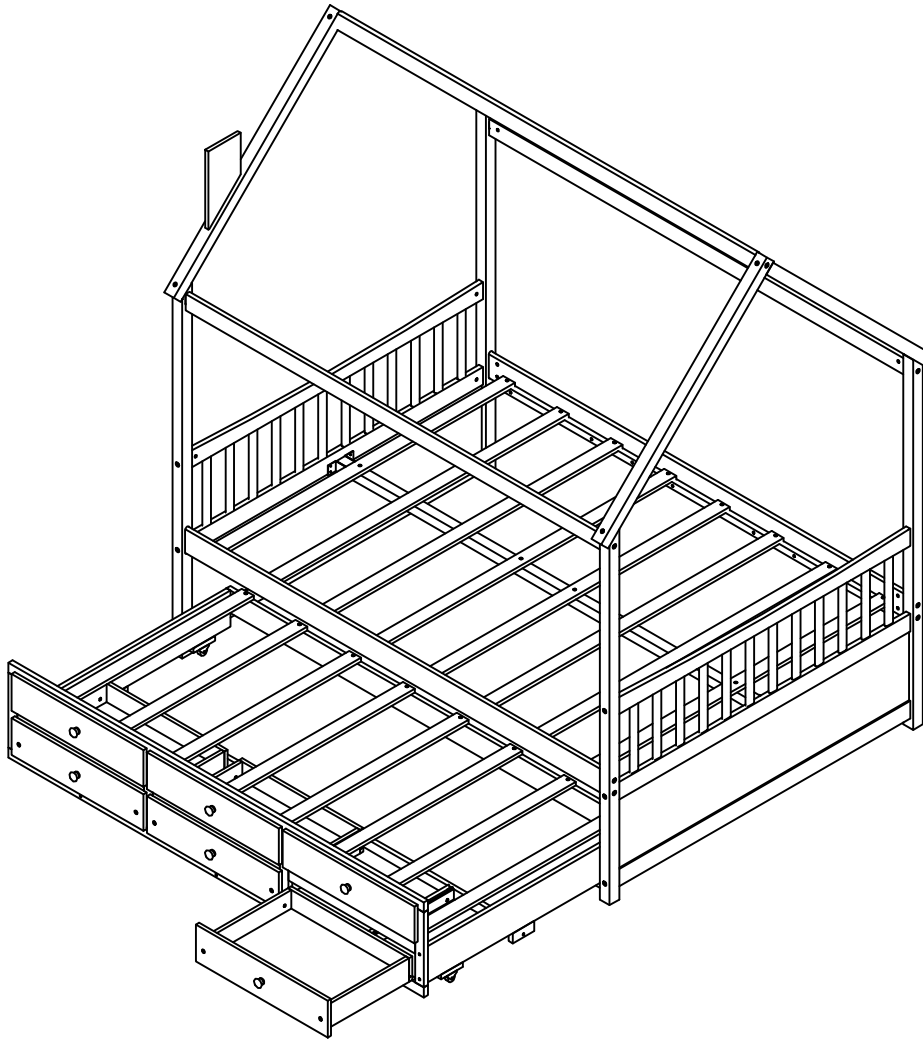


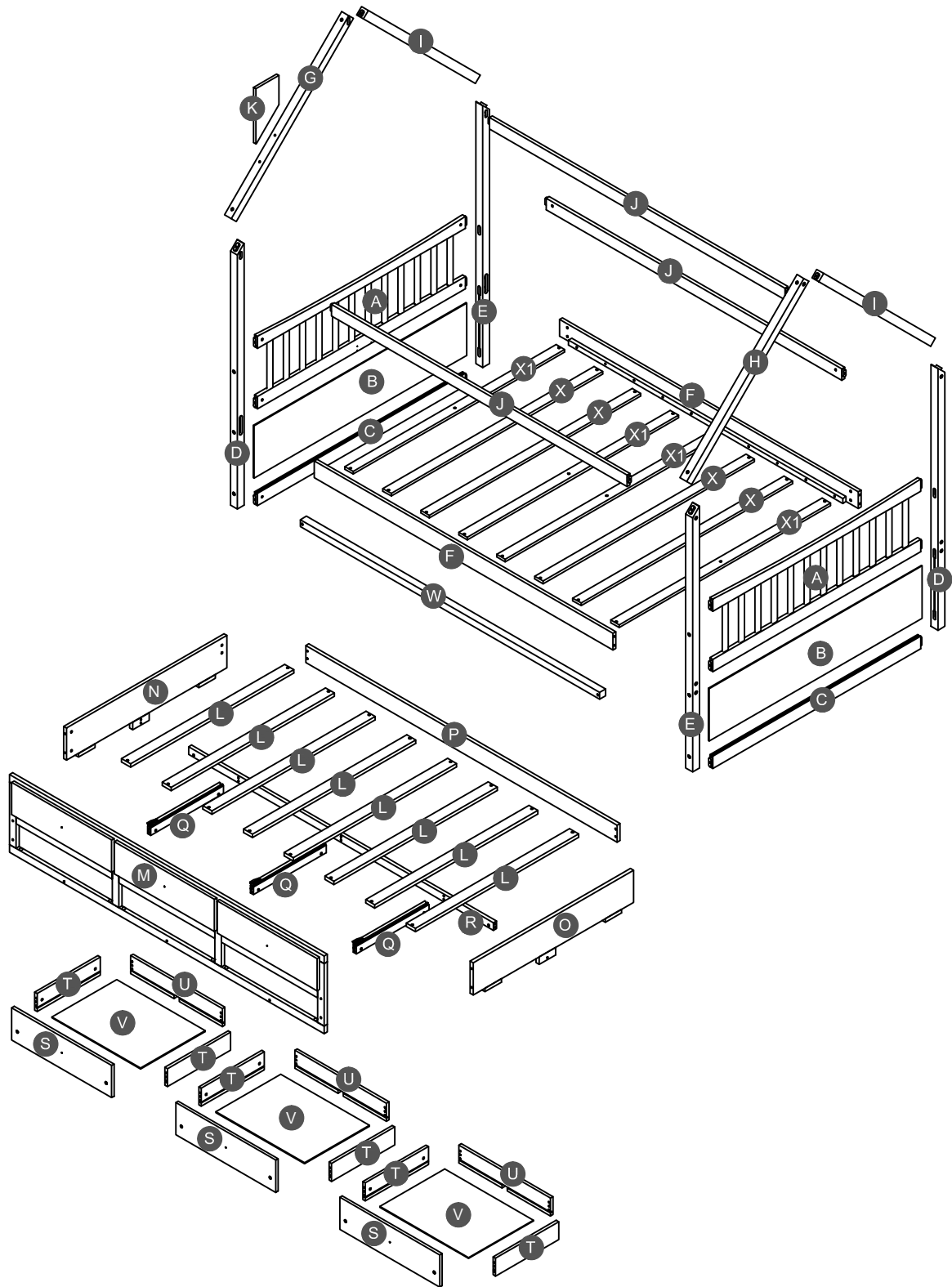
ASSEMBLY INSTRUCTIONS

FULL SIZE HOUSE BED WITH TRUNDLE AND DRAWERS



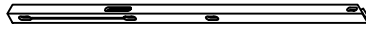
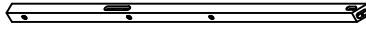
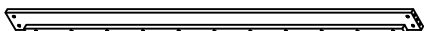
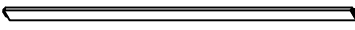

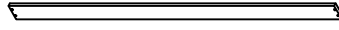
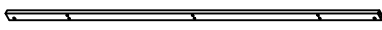

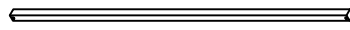
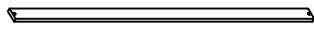

WF290936 \ WF290937

Detail View

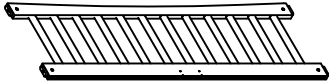

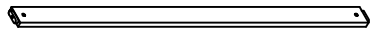
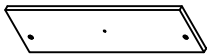
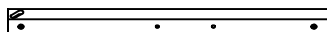
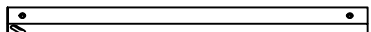
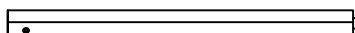
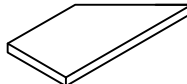
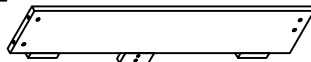
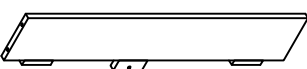

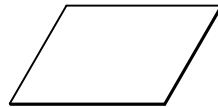
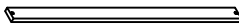



Part List

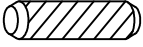
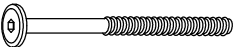
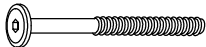
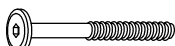




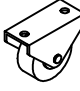





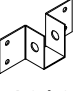
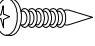
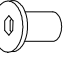
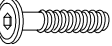
WF290936

<p>D</p>  <p>Leg (Left Front / Right back) - 2pcs</p>	<p>E</p>  <p>Leg (Left back / Right Front) - 2pcs</p>	<p>F</p>  <p>Side rail (Back & Front) - 2pcs</p>
<p>J</p>  <p>Upper horizontal - 3pcs</p>	<p>M</p>  <p>Front panel of trundle - 1pc</p>	<p>P</p>  <p>Back panel side rail of trundle - 1pc</p>
<p>R</p>  <p>Support rail of trundle - 1pc</p>	<p>U</p>  <p>Back drawer panel - 3pcs</p>	<p>W</p>  <p>Lower support slat - 1pc</p>
<p>X</p>  <p>Slats - 4pcs</p>	<p>X1</p>  <p>Slats - 4pcs</p>	

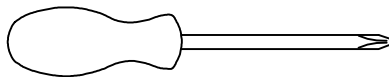
Hardware List WF290937

<p>A</p>  <p>HB & FB - 2pcs</p>	<p>B</p>  <p>Side panel - 2pcs</p>	<p>C</p>  <p>Horizontal bar - 2pcs</p>
<p>S</p>  <p>Front drawer panel - 3pcs</p>	<p>G</p>  <p>Upper (Left Front) - 1pc</p>	<p>H</p>  <p>Upper (Right Front) - 1pc</p>
<p>I</p>  <p>Upper (Back) - 2pcs</p>	<p>K</p>  <p>Piece of decorate - 1pc</p>	<p>N</p>  <p>Left side panel of trundle - 1pc</p>
<p>O</p>  <p>Right side panel of trundle - 1pc</p>	<p>T</p>  <p>Left / right drawer panel - 6pcs</p>	<p>V</p>  <p>Drawer bottom - 3pcs</p>
<p>L</p>  <p>Slats - 8pcs</p>	<p>Q</p>  <p>Support drawer - 3pcs</p>	

Hardware List WF290937

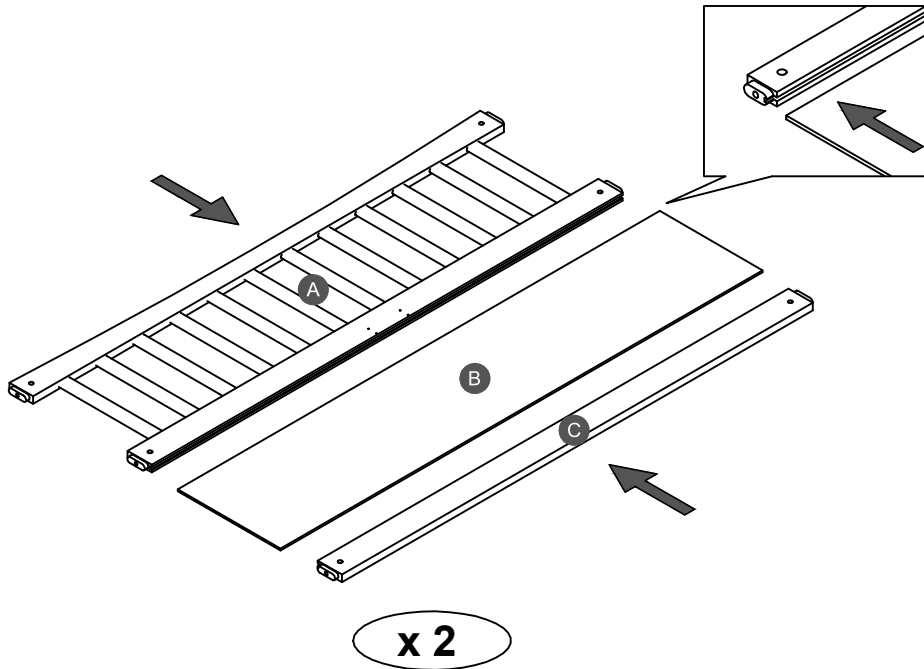
1  Ø8*30mm Wood dowel (26pcs)	2  (Ø15)1/4"*100mm Hex-Head bolts (14pcs)	3  (Ø15)1/4"*80mm Hex-Head bolts (12pcs)
4  (Ø12)1/4"*60mm Hex-Head bolts (28pcs)	5  (Ø12)1/4"*65mm Wood screws (8pcs)	6  1/4"*15 (9.5mm) Horizontal-Hole bolts(54pcs)
7  Ø38*31mm Pine Knob (6pcs)	8  3/16"*25mm Ph zinc(Knob) (6pcs)	9  45*20*35mm Caster (4pcs)
10  400*30mm Upper slider drawer (3pcs)	11  (1/4")4.5*58mm Allen key (2pcs)	12  Ø4*30mm Wood screws (36pcs)
13  Ø3.5*19mm Wood screws (8pcs)	14  Ø3.5*12mm Wood screws (9pcs)	15  116*40*27mm Metal bracket (2pcs)
16  Ø3.5*15mm Wood screws (8pcs)	17  (Ø13)1/4"*14mm Connect bolt (2pcs)	18  (Ø12)1/4"*40mm Hex-Head bolts (2pcs)

ASSEMBLY TOOLS REQUIRED (NOT INCLUDED)






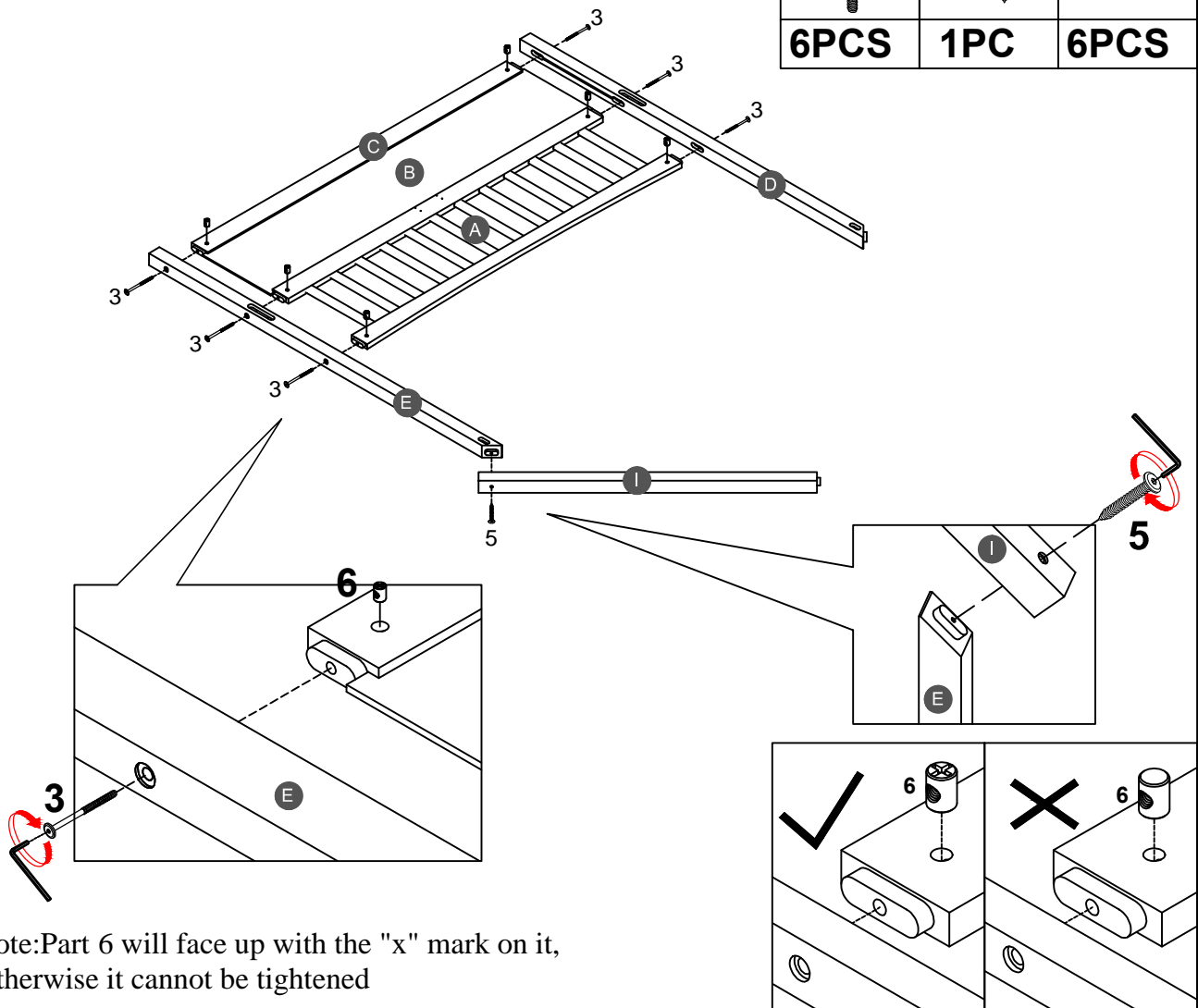
PLEASE BE CAREFUL DO NOT DAMAGE THE HOLE POSITION WHEN YOU USE POWER TOOLS !

STEP 1:



STEP 2:

3		5		6	
6PCS		1PC		6PCS	



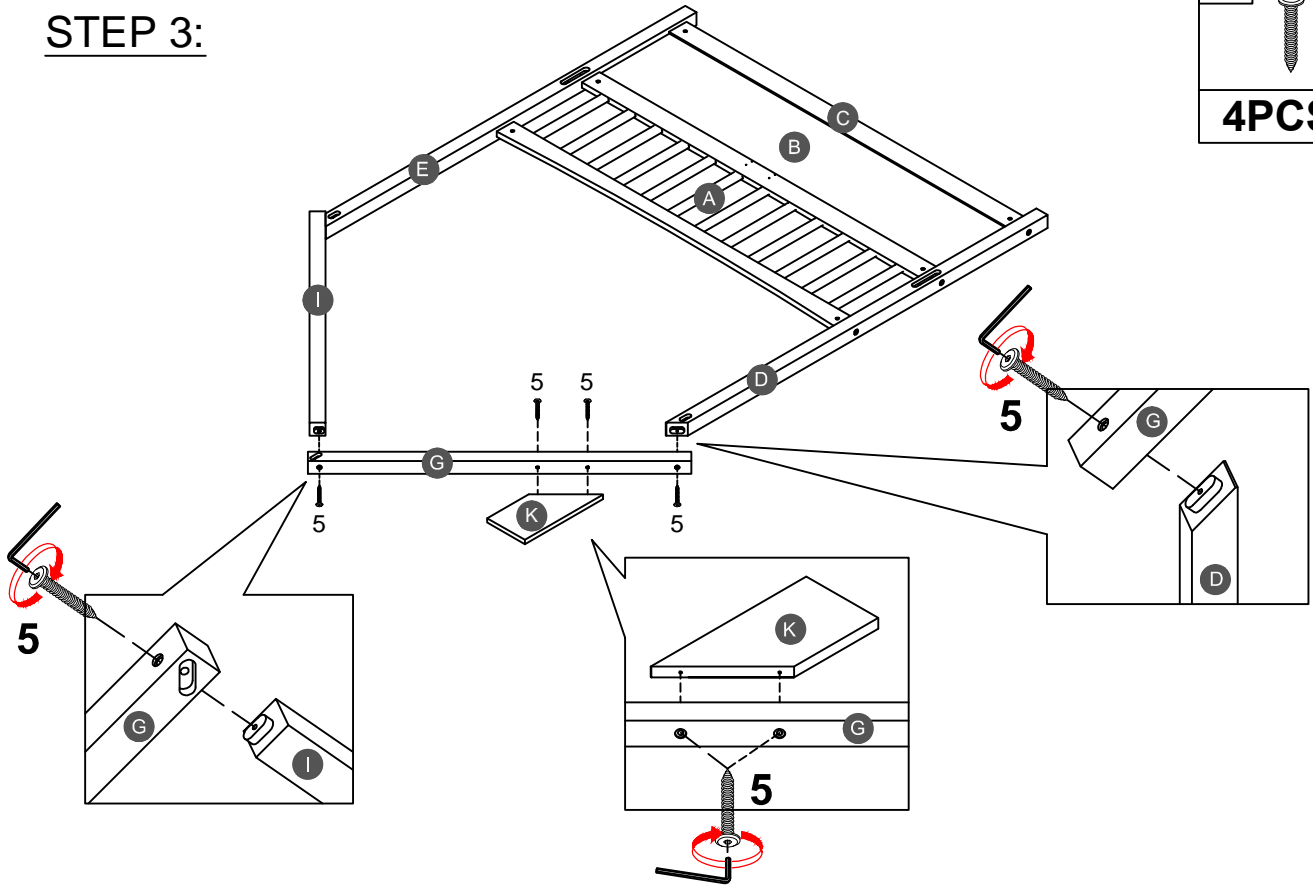
Note: Part 6 will face up with the "x" mark on it, otherwise it cannot be tightened

STEP 3:

5



4PCS



STEP 4:

3



6PCS

5

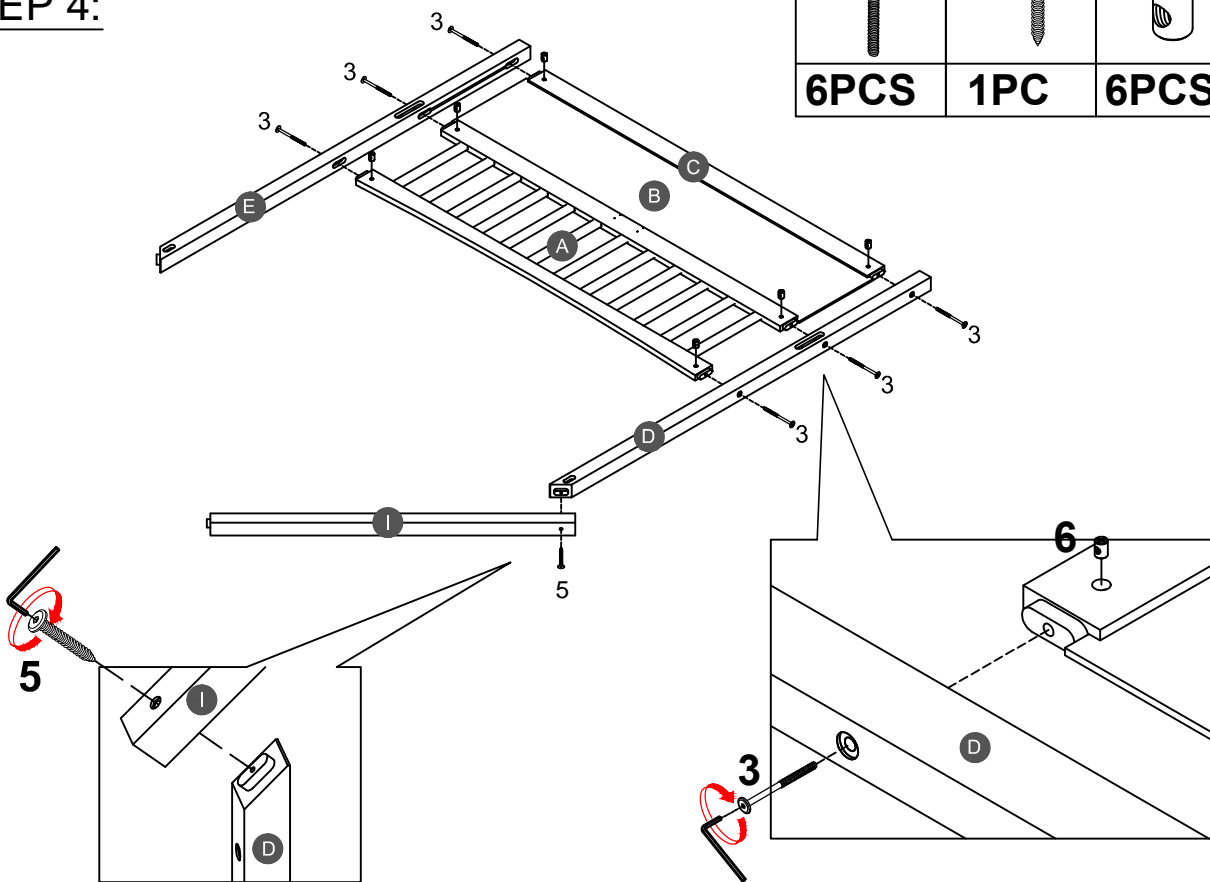


1PC

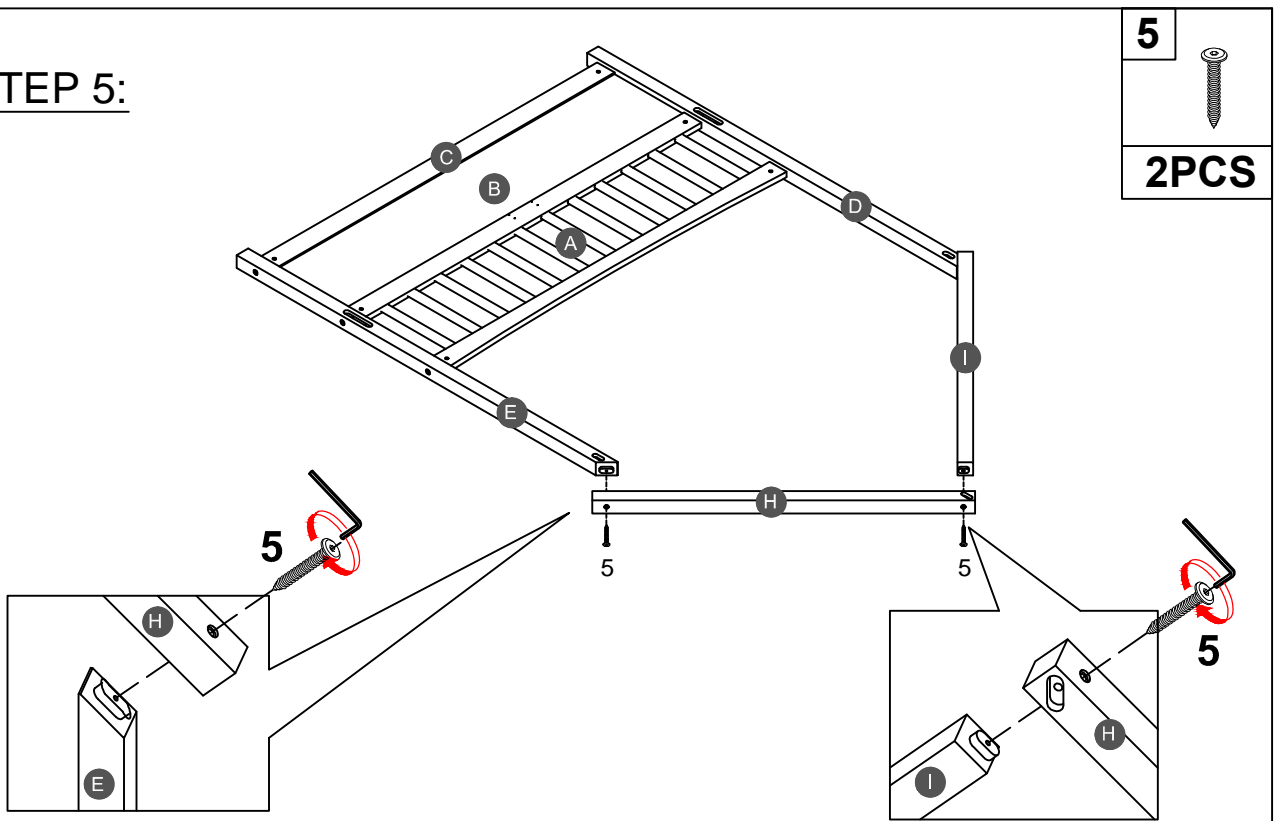
6



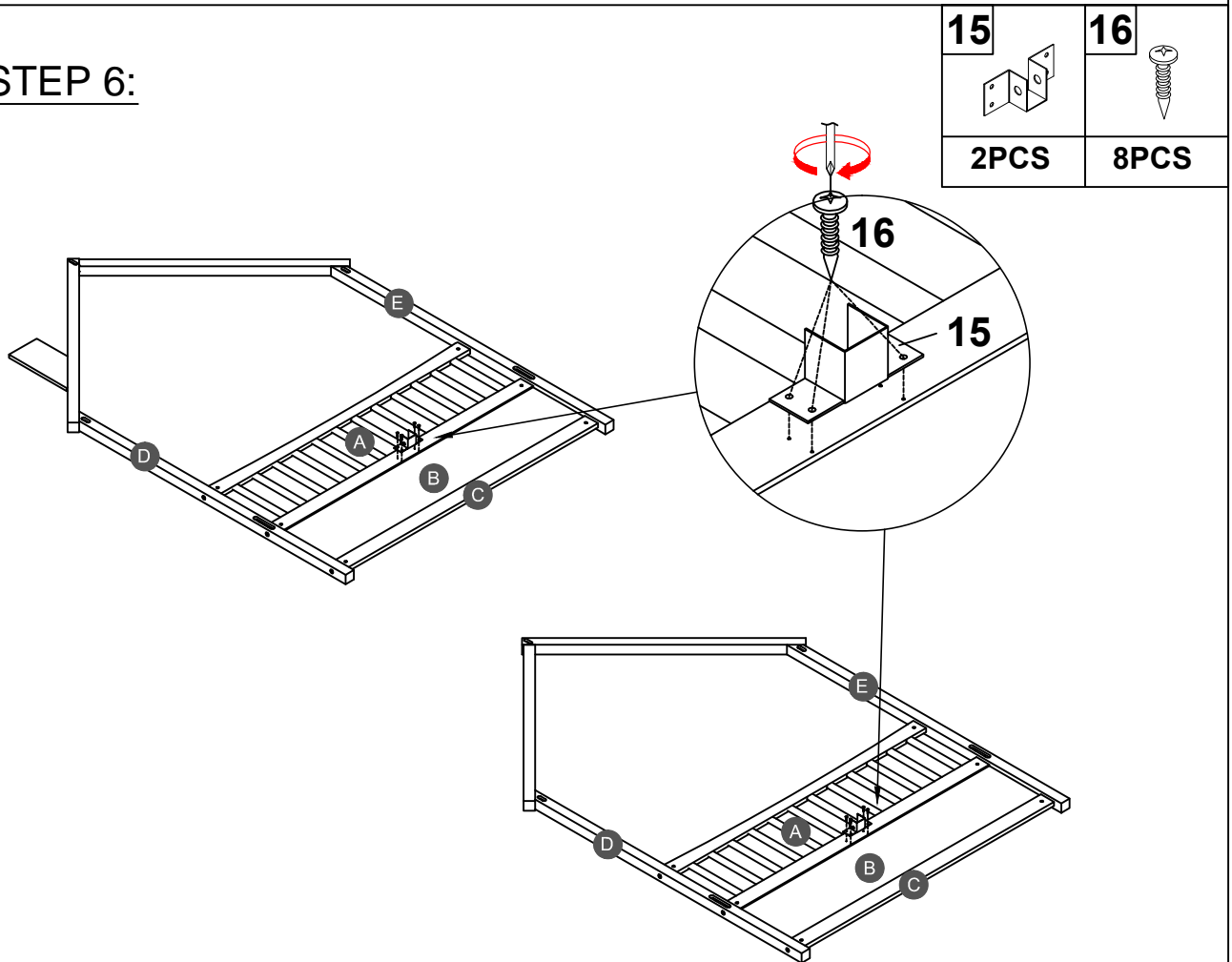
6PCS



STEP 5:

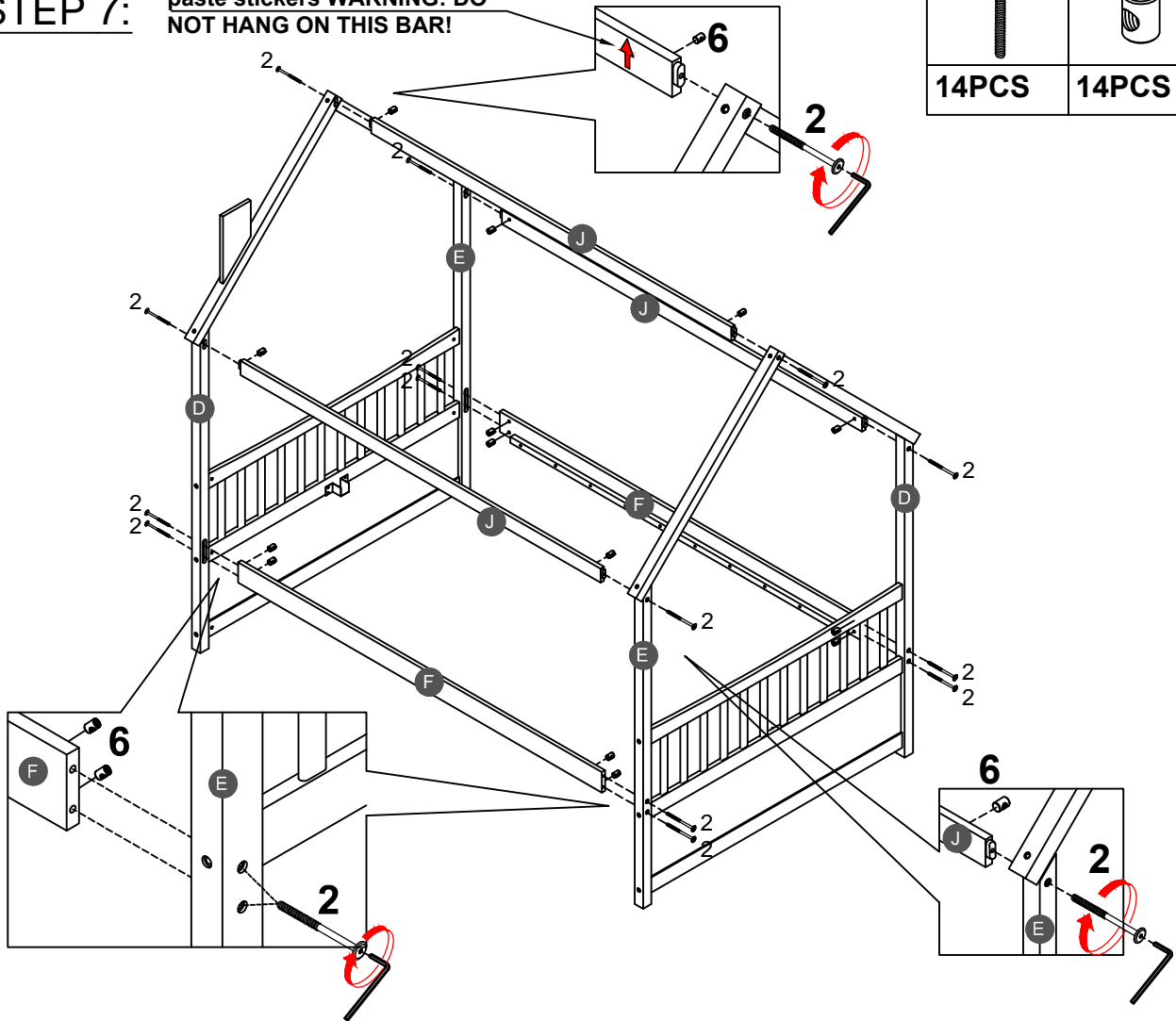


STEP 6:



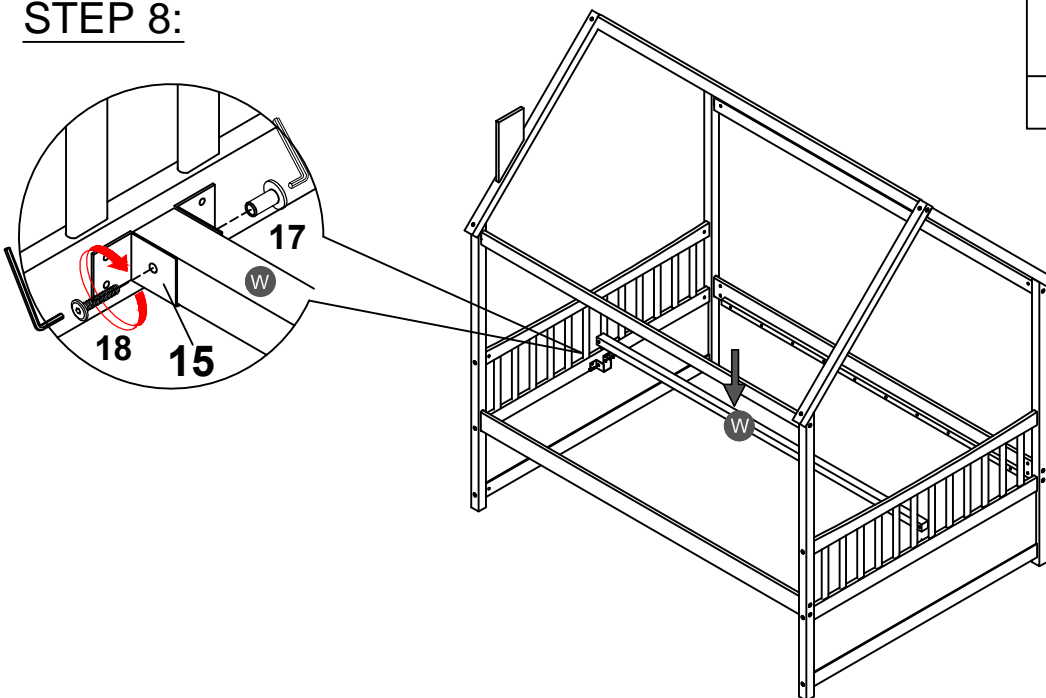
STEP 7:

Remark: Upper horizontal
paste stickers **WARNING: DO
NOT HANG ON THIS BAR!**



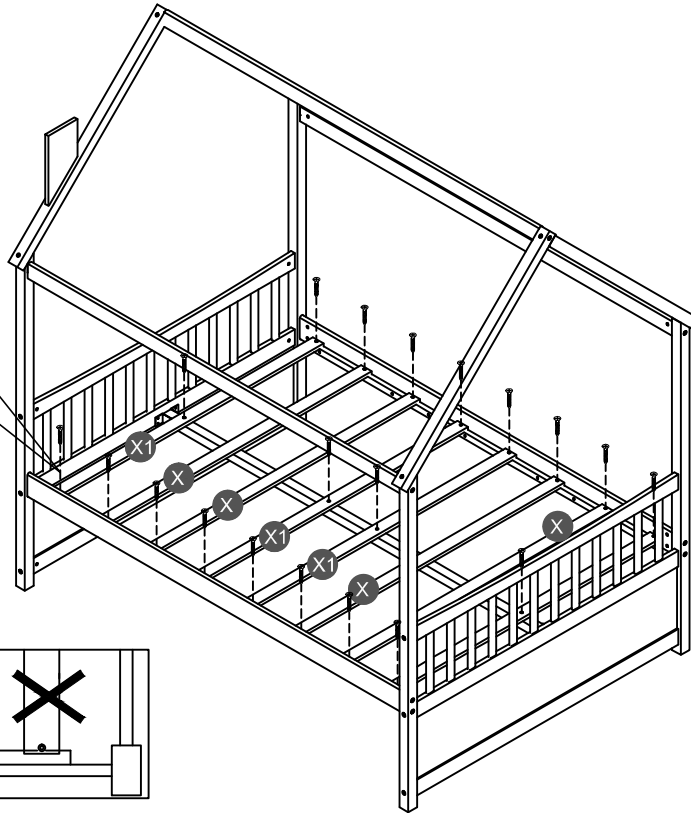
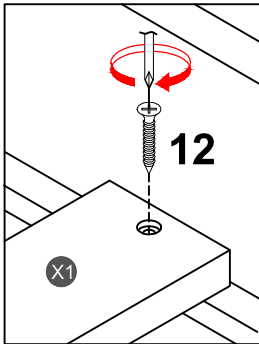
2		6	
14PCS		14PCS	


STEP 8:

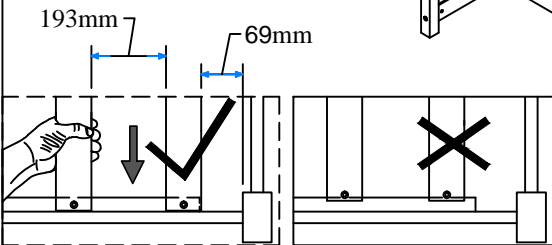


17		18	
2PCS		2PCS	

STEP 9:

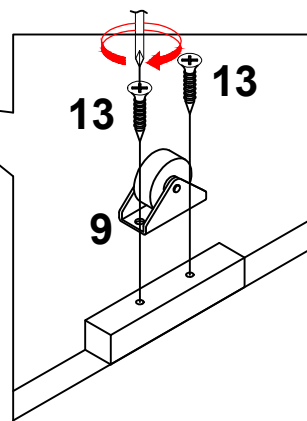
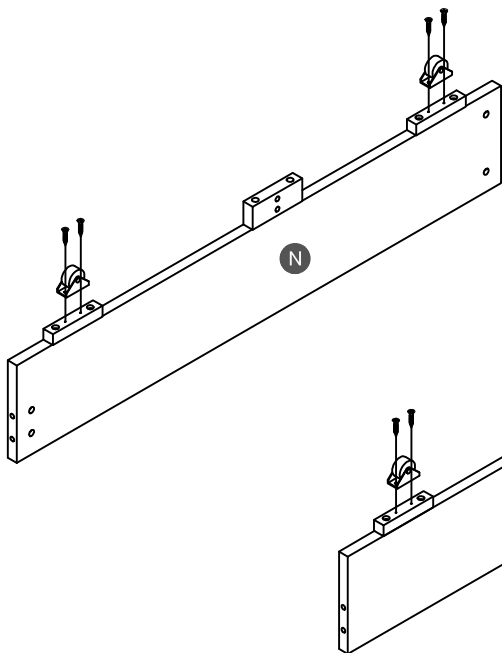




12	
20PCS	






Note: Do not lock the screws of the bed slats to the outermost edge of the bed slats, you need to leave a certain space at the edges, otherwise it will cause the board to break. Do not lock the bed slats on the edge of the wood, please hold firmly before screwing, hold it in place with one hand, then lock the screw.

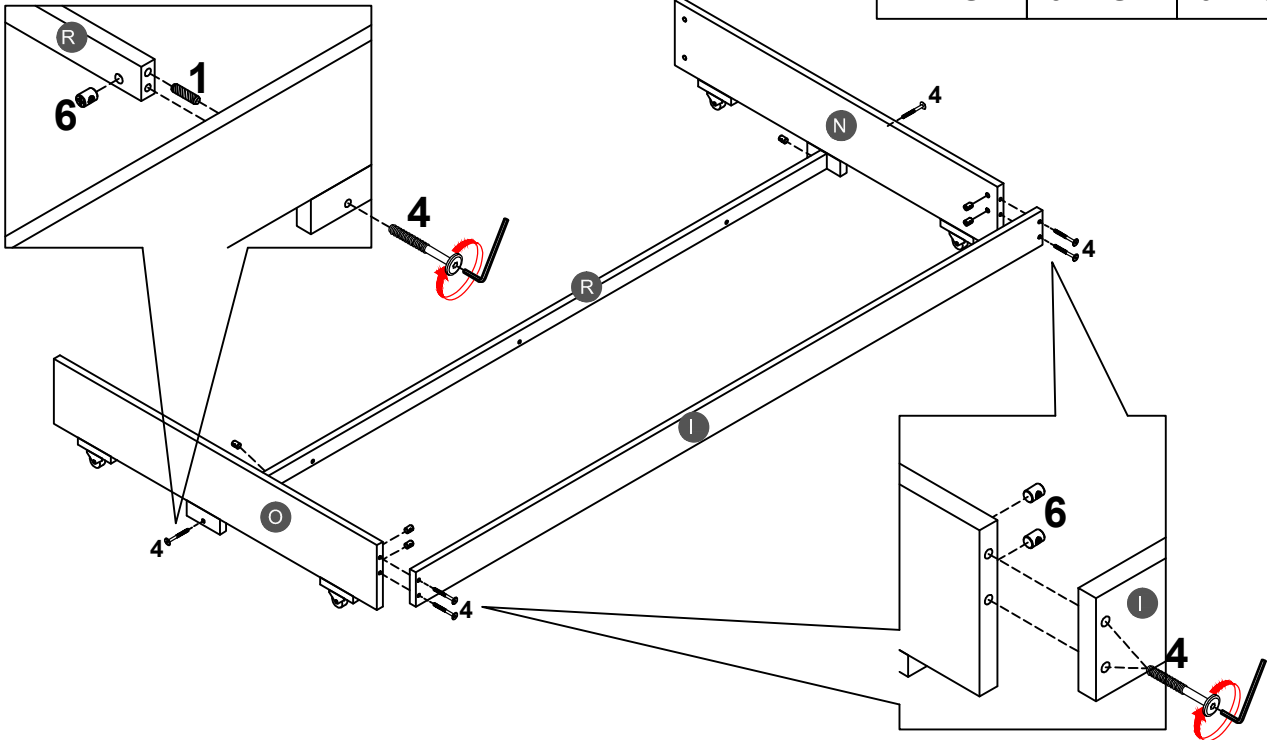
STEP 10:





9	13
	
4PCS	8PCS

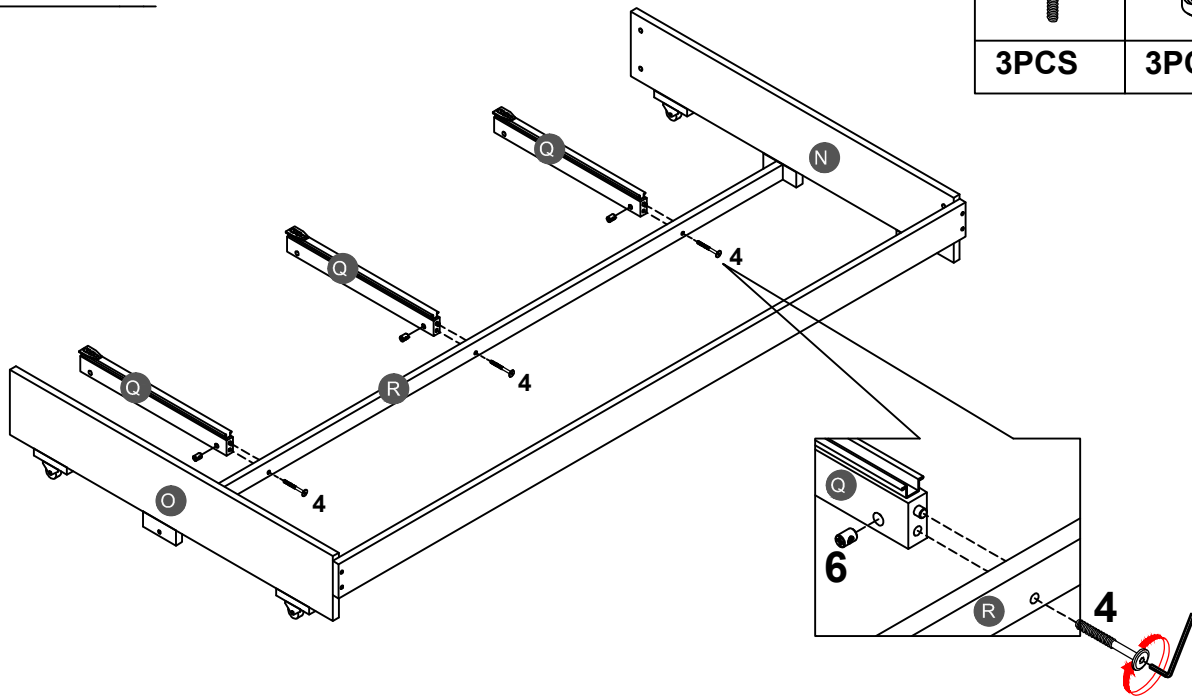
STEP 11:

1		4		6	
2PCS		6PCS		6PCS	

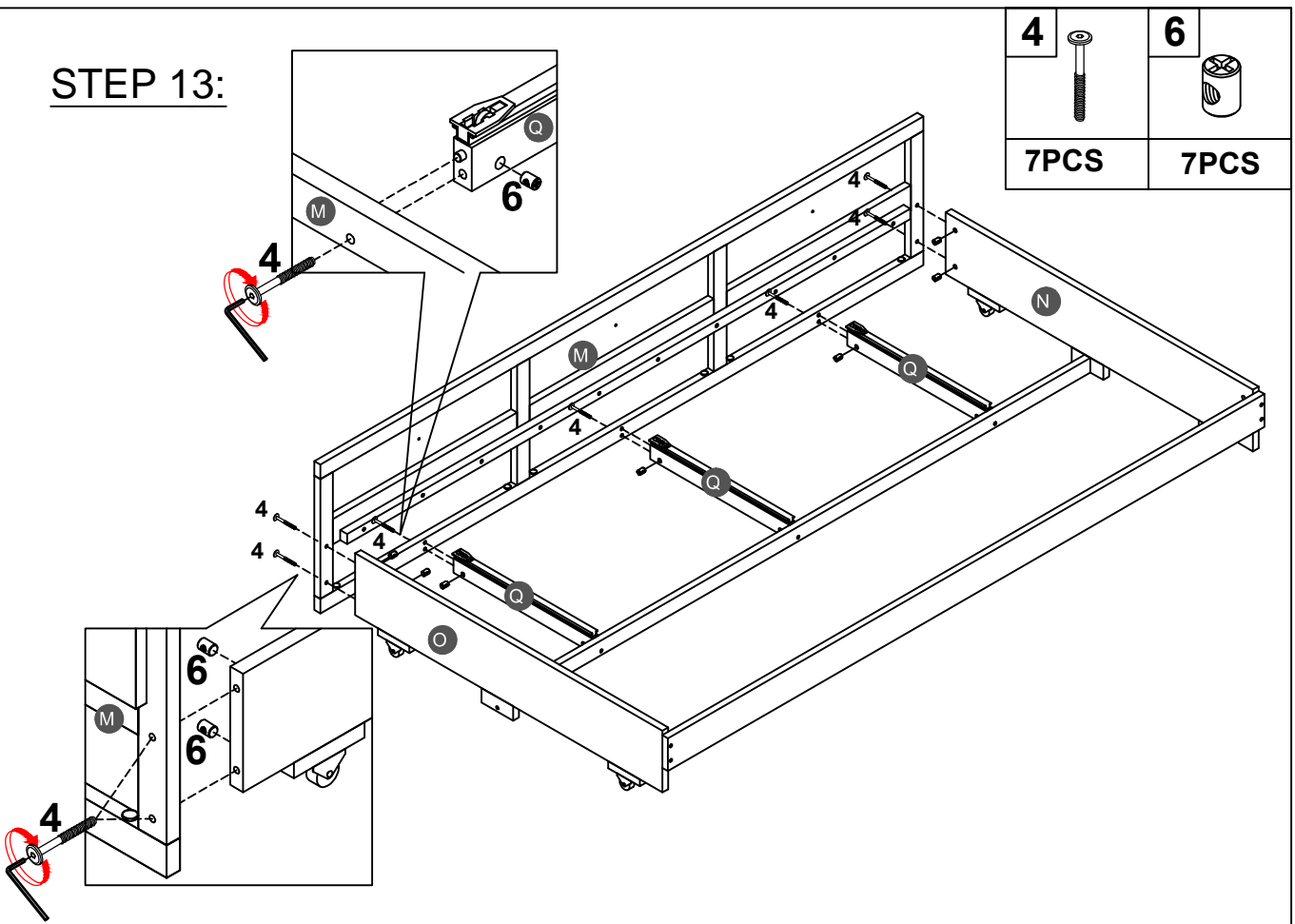


STEP 12:

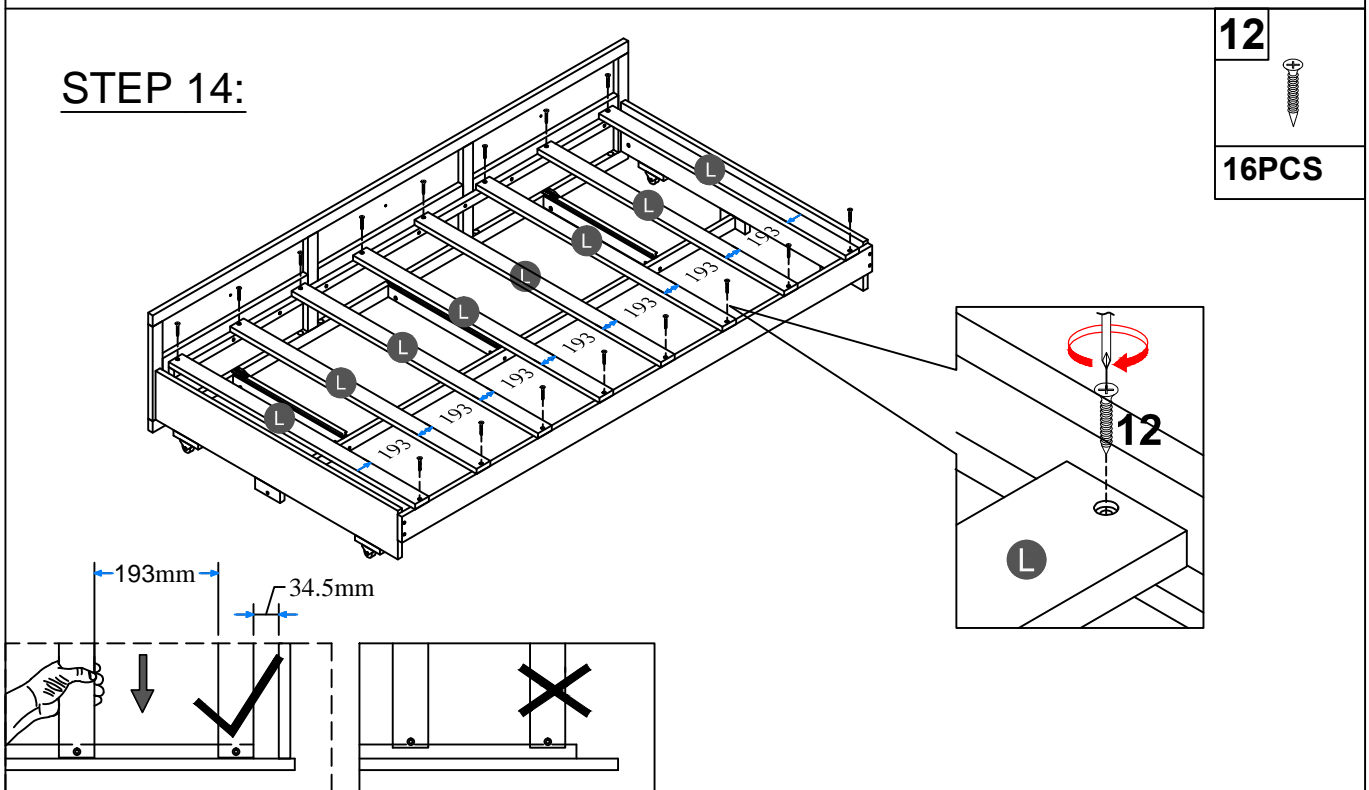
4		6	
3PCS		3PCS	



STEP 13:

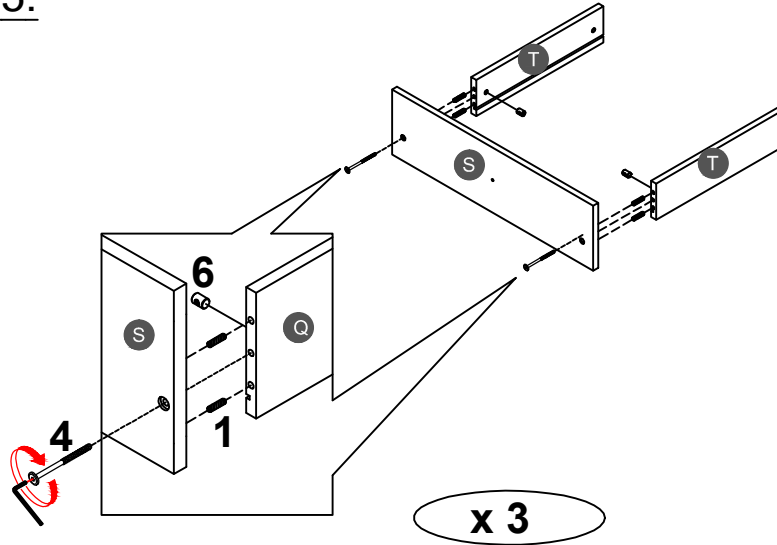


STEP 14:



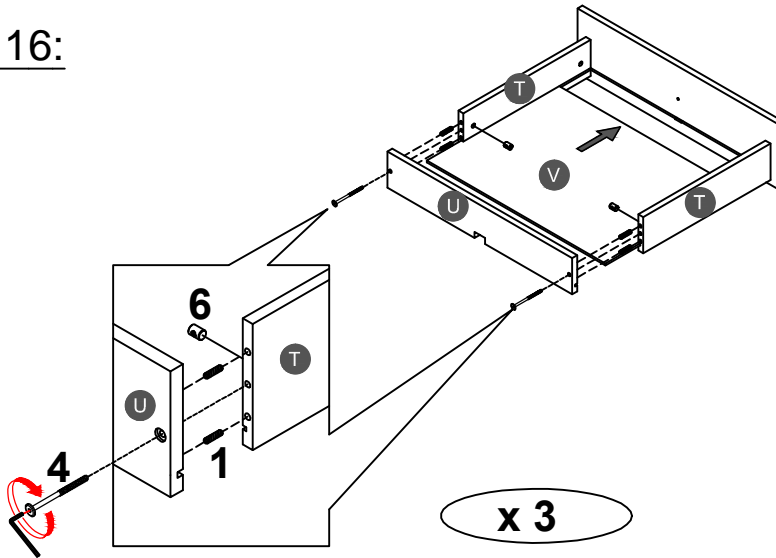
Note: Do not lock the screws of the bed slats to the outermost edge of the bed slats, you need to leave a certain space at the edges, otherwise it will cause the board to break. Do not lock the bed slats on the edge of the wood, please hold firmly before screwing, hold it in place with one hand, then lock the screw.

STEP 15:



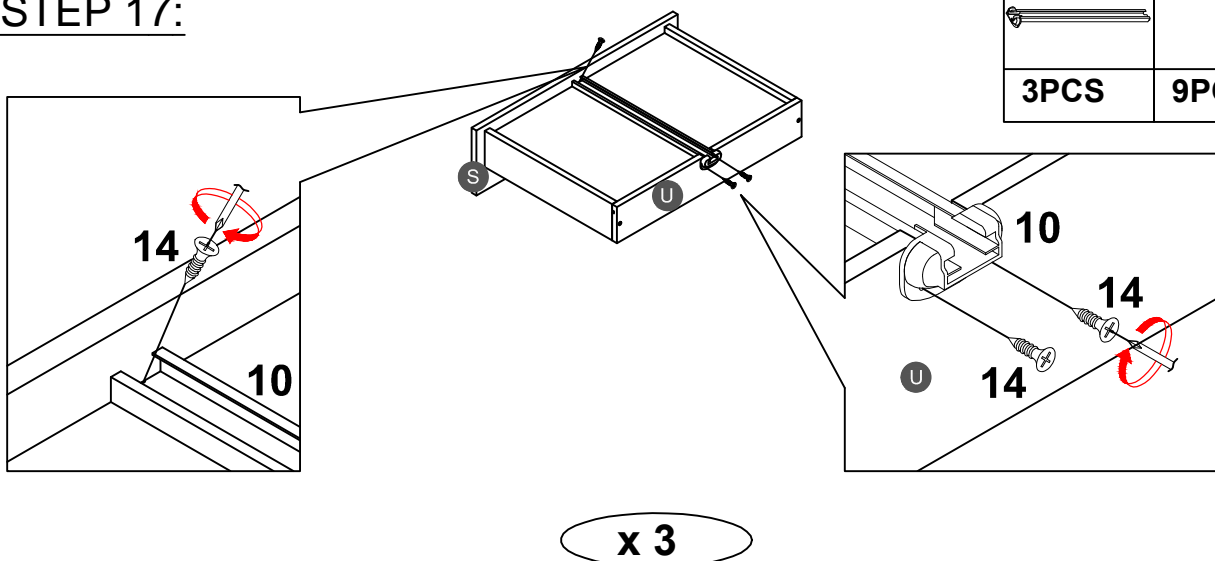
1		6	
12PCS		6PCS	
		4	
		6PCS	

STEP 16:



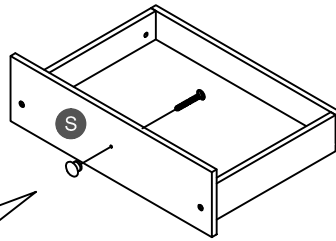
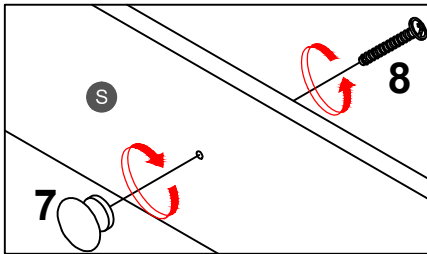
1		6	
12PCS		6PCS	
		4	
		6PCS	

STEP 17:



10		14	
3PCS		9PCS	

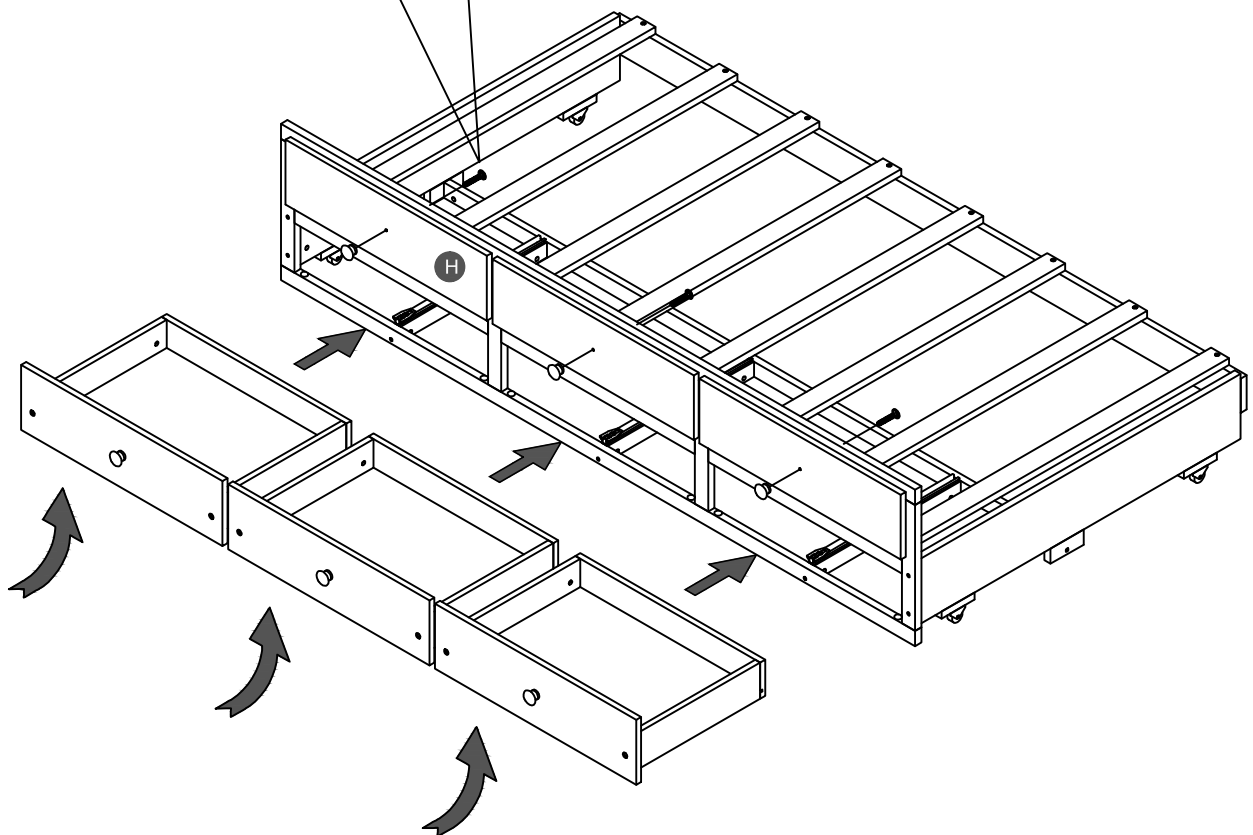
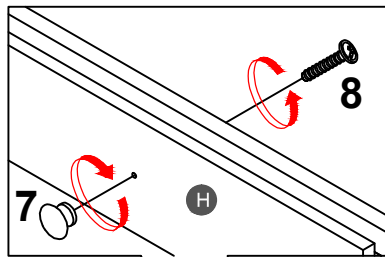
STEP 18:



7	8
3PCS	3PCS

x 3

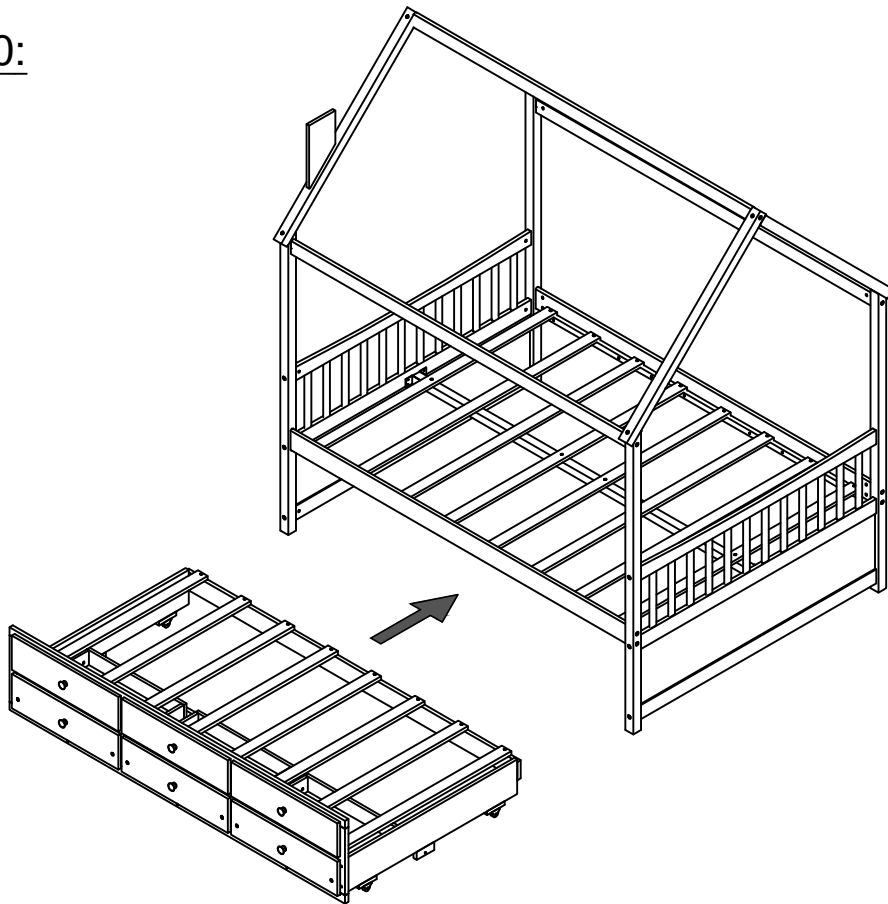
STEP 19:



7	8
3PCS	3PCS

Remark: When opening or closing the drawer, Please lift the drawer slightly before opening or closing it.

STEP 20:



Push Trundle under the bottom of Twin bed.

