

**3/4" VOLUME CONTROL VALVE
K-2977-K**

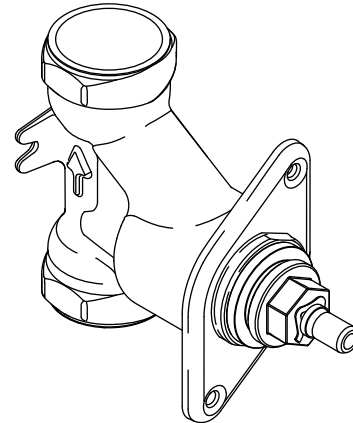
Features

- Forged brass valve body
- Single-handle volume control
- 3/4" quarter-turn washerless ceramic disc valves
- 3/4" NPT connections
- Intended for use with Kohler® thermostatic mixer valving

Codes/Standards Applicable

Specified model meets or exceeds the following:

- ASME A112.18.1/CSA B125.1



Colors/Finishes

- NA: None applicable

Specified Model

Model	Description	Colors/Finishes
K-2977-K	3/4" volume control valve	<input type="checkbox"/> NA

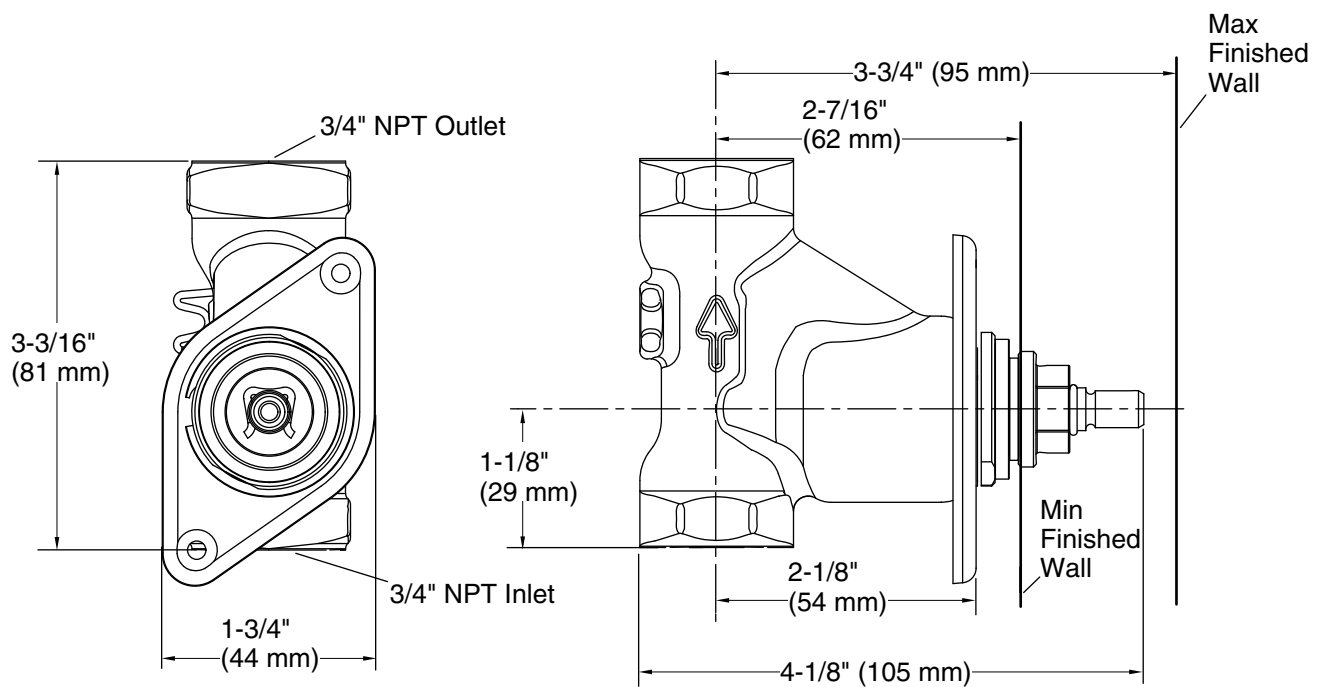
Product Specification

The volume control valve shall have a forged brass valve body. Product shall feature a 3/4" quarter-turn washerless ceramic disc valve, assuring positive handle stop positioning. Product shall have 3/4" NPT connections. Product shall feature single-handle volume control. Product is intended for use with Kohler thermostatic mixer valving. Product shall be Kohler Model K-2977-K-NA.

MASTERSHOWER®

Installation Notes

Install this product according to the installation guide.



Product Diagram