



Item # 1001378417
Model # H2DMC

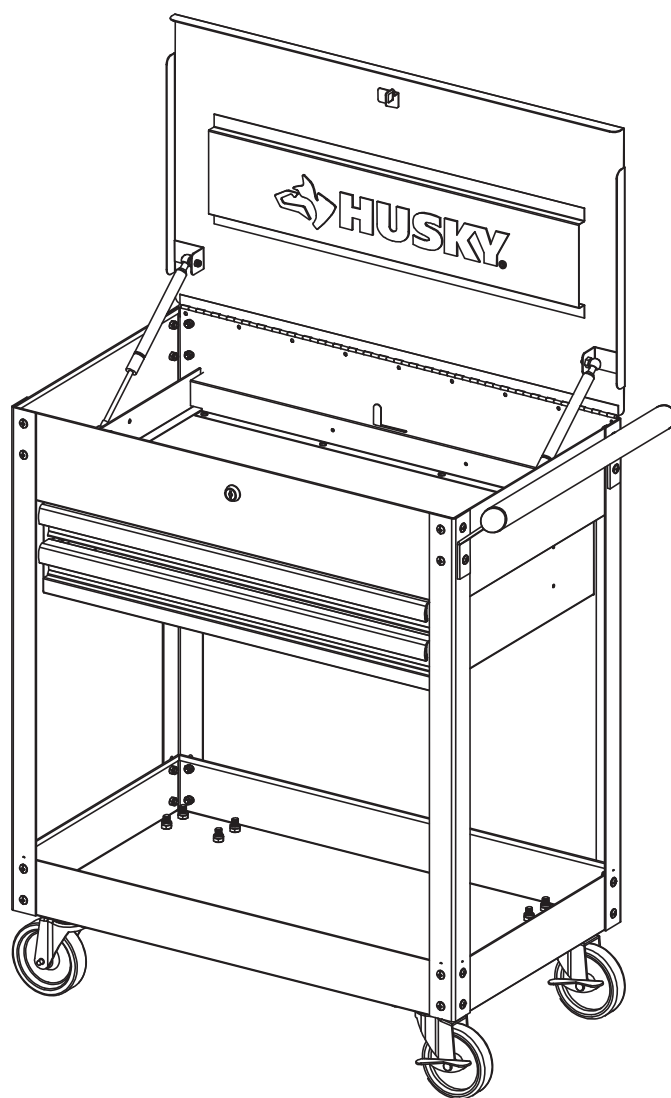
USE AND CARE GUIDE

TWO DRAWER CART

Questions, problems, missing parts?
Before returning to the store, call
Husky Customer Service
8 a.m – 6 p.m., EST, Monday-Friday

1-888-HD-HUSKY

HUSKYTOOLS.COM



THANK YOU

We appreciate the trust and confidence you have placed in Husky through the purchase of this cart. We strive to continually create quality products designed to enhance your home. Visit us online to see our full line of products available for your home improvement needs. Thank you for choosing Husky!

Table of Contents

Table of Contents.....	2	Assembly	5
Safety Information	2	Operation	5
Warranty	3	Maintenance.....	6
Specifications	3	Care and Cleaning.....	6
Tools Required.....	3		
Package Contents.....	3		
Hardware Included.....	3		

Safety Information

1. Do not pull this unit, push it when moving.
2. Use the brakes when this product is not being moved. This prevents the product from rolling.
3. Do not tow the product with power equipment.
4. WEAR SAFETY GLASSES AND GLOVES when assembling this product.
5. BE CAREFUL of sharp edges.
6. DO NOT alter this product in any manner. This may cause product damage or personal injury.
7. ALWAYS wear ANSI approved safety goggles when working with tools and equipment.



CAUTION: Keep the product on level surfaces. The product may become unstable and tip if stored or moved on an unlevel surface, which may cause personal injury or product damage.



CAUTION: Do not attach or mount this product to a vehicle. This may cause personal injury or product damage. Mounting this product to any vehicle in any manner will void warranty.



CAUTION: Do not stand on this product. You may fall which may cause personal injury.



CAUTION: Be careful when opening more than one drawer. The product may become unstable and tip, which may cause personal injury or product damage.



CAUTION: Lock the drawers before moving this product. The drawers could come open and make the product unstable and tip, which may cause personal or product damage.

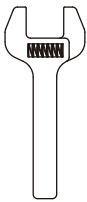
Warranty

This product is guaranteed to be free of defects in materials and workmanship for 3 years from the date of purchase. If this product is defective, call 1-888-HD-Husky for repair or replacement parts or return the product to the store from which it was purchased. Guarantee does not include normal wear and tear.

Specifications

Maximum weight per (drawer)	50 lbs.
Maximum weight per (tray)	150 lbs.
Casters support up to	550 lbs.

Tools Required



Adjustable Wrench



Slotted or Phillips Screwdriver

Package Contents

HARDWARE INCLUDED



NOTE: Hardware not shown to actual size.



AA



BB



CC



DD



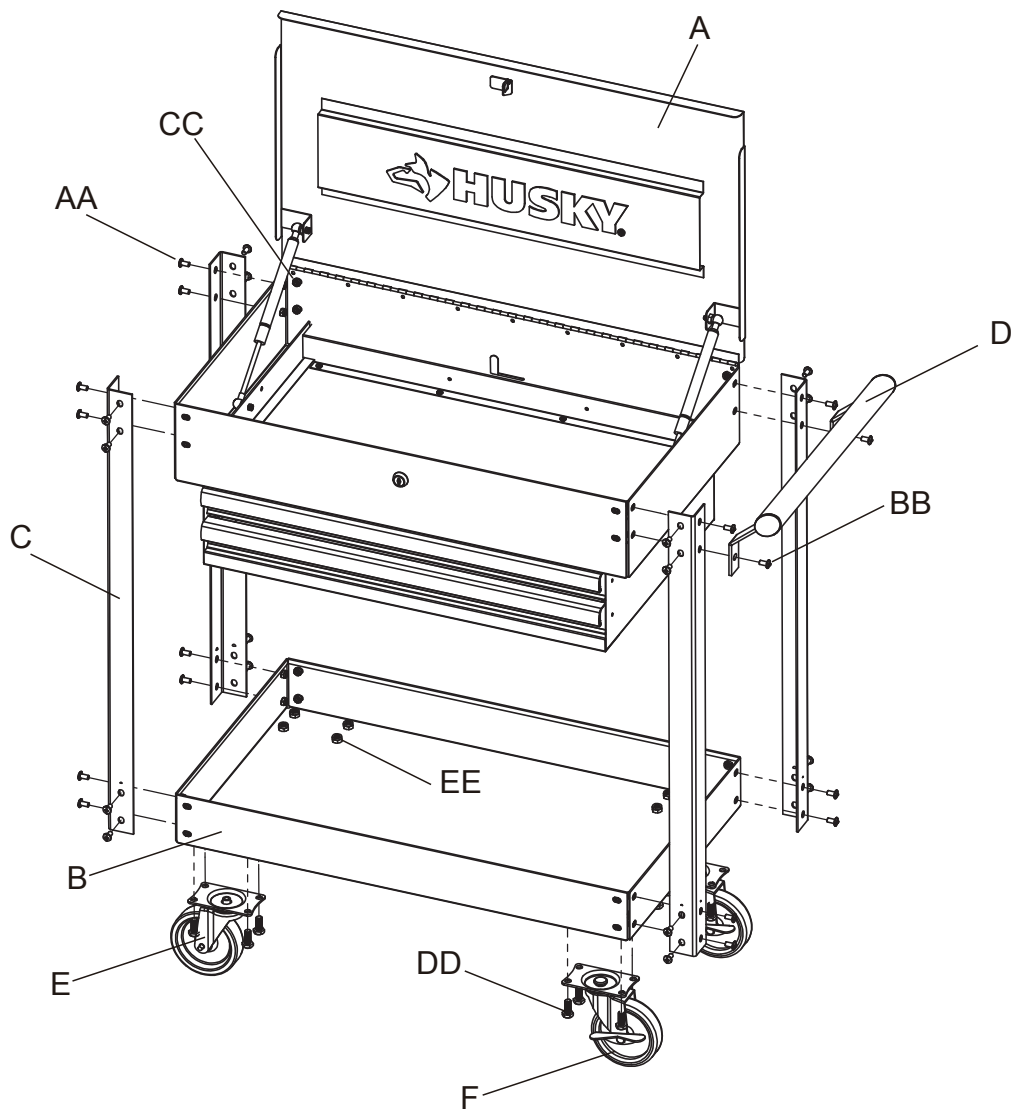
EE

Part	Description	Quantity
AA	M6x12 bolt	30
BB	M6x16 bolt	2
CC	M6 nut	32
DD	M8x16 bolt	16
EE	M8 nut	16

Package Contents (continued)



NOTE: The keys are taped to the top of the caster box, which is inside drawer body.



Part	Description	Quantity
A	Drawer body	1
B	Bottom tray	1
C	Upright support	4
D	Side handle	1
E	Swivel caster without brake	2
F	Swivel caster with brake	2

Assembly

1 Attaching upright supports to bottom tray and drawer body and side handle

- Attach upright supports (C) to bottom tray (B), using 4 sets of bolts (AA) and nuts (CC) for each upright supports.
- Attach drawer body (A) on other end of upright supports (C) using 4 sets of bolts (AA) and nuts (CC), but install side handle (D) at the same time on preferred side by inserting bolts (BB) through side handle (D), upright supports (C) and drawer body (A) and tighten with nuts (CC).
- Square up unit and tighten securely. See assembly diagram.

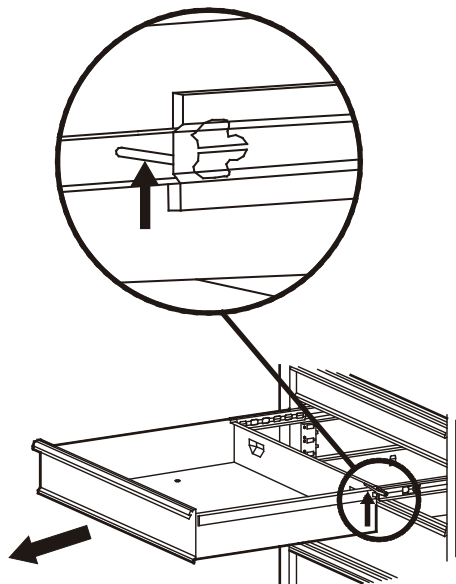
2 Attaching the casters

- Be sure the drawers are locked and lay the cart on its top. Use packaging material to protect the finish.
- Attach the swivel brake plastic casters (F) to the unit, on the same side as the handle, inserting bolts (DD) through bottom tray (B).
- Tighten securely with nuts (EE).
- Repeat this process for the swivel casters without brake (E) on the opposite side of the cart.
- Return the cart to its upright position.

Operation

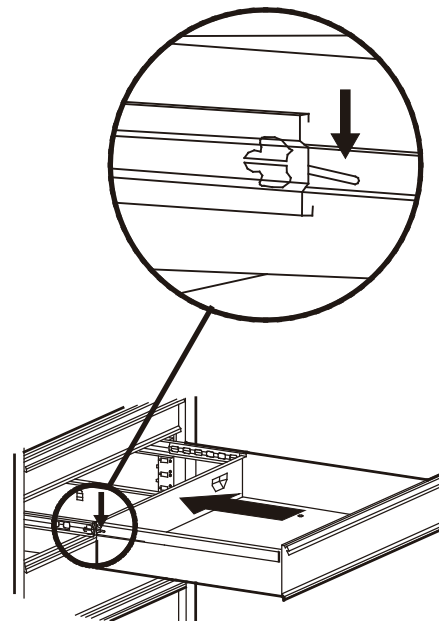
1 Removing the drawers

- Fully extend the empty drawer.
- Push up the one black release lever while pulling down on the other black release lever.
- Pull the drawer outward until it is released from the drawer slide.



2 Re-inserting the drawers

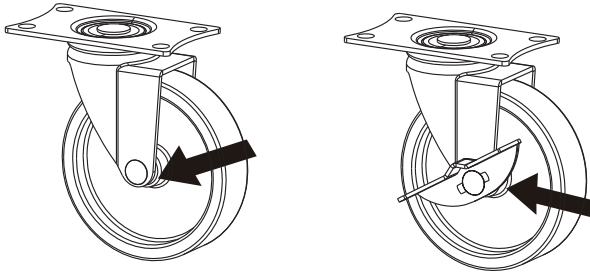
- Extend the drawer slides.
- Insert the brackets on each side of the drawer into the slots in the slides, being careful that they are properly positioned.
- Once properly inserted, completely close the drawer to set the slides in their proper positions.



Maintenance

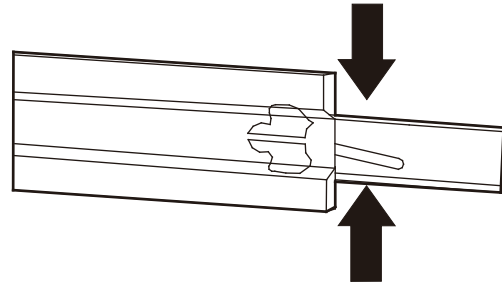
1 Caster maintenance

- Grease the casters annually using high-quality bearing grease.



2 Drawer maintenance

- Lubricate the slides semi-annually.



Care and Cleaning

- Periodically clean the drawer fronts, drawer trim, and other surfaces with a mild detergent and water.
- Auto wax preserves the storage unit's luster finish and protects against scratches. Apply the wax as you would on a car.
- Remove grease and oil with a standard nonflammable cleaning fluid.



Questions, problems, missing parts? Before returning to the store call
Husky Customer Service
8 a.m. - 6 p.m., EST, Monday-Friday

1-888-HD-HUSKY

HUSKYTOOLS.COM

Retain this manual for future use.