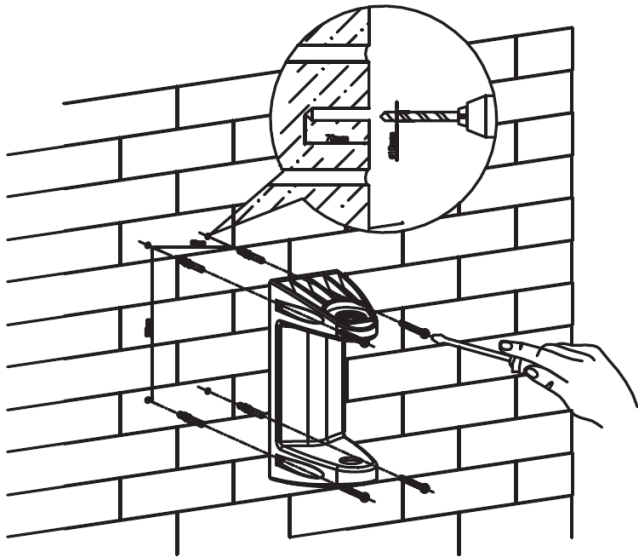


INSTALLATION INSTRUCTIONS

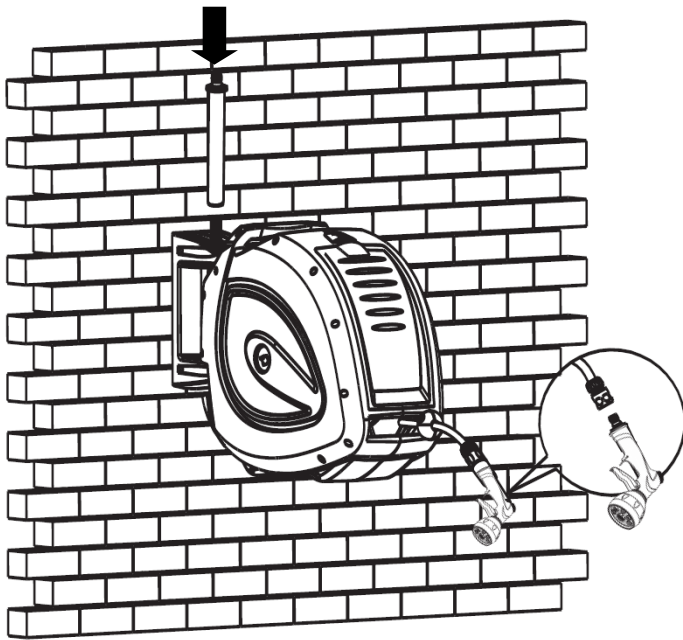


STEP 1

Select a suitable position to mount your hose reel. The hose reel must be mounted on a sturdy surface (brick wall, solid wood post, etc). The Hose Reel should be mounted at approximately waist height.

STEP 2

Using the bracket as a template, mark the location of the screws. Ensure the bracket is level. Drill four 2" deep holes in the marked location. Insert the wall plugs.



STEP 3

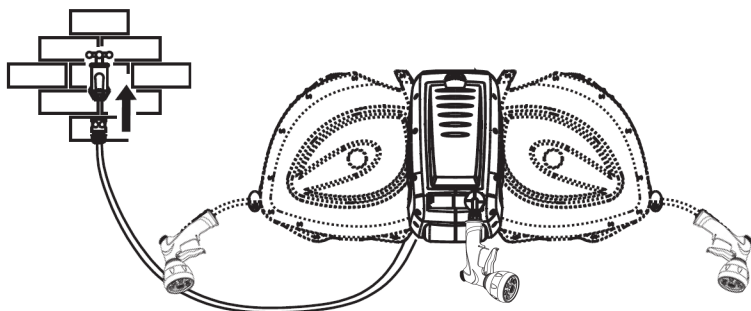
Re-align the bracket to the four holes. Ensure the bracket is level. Fasten the screws into the wall plugs until the bracket is secured.

STEP 4

Align the back of the hose reel with the wall bracket. Insert the securing pin through the holes in the bracket.

STEP 5

Attach the hose gun to the hose end using the male to male (part D) quick connect adapter



STEP 6

Attach the 15 foot inlet hose to your tap with the male to female adapter (part E). Test to ensure the hose reel rotates freely 180 degrees with the inlet hose connected

YOUR HOSE REEL IS NOW FULLY ASSEMBLED