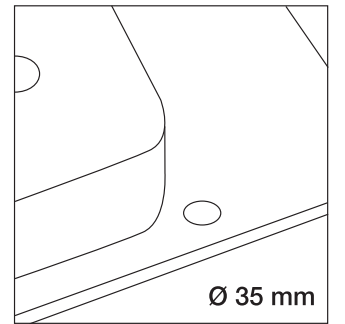
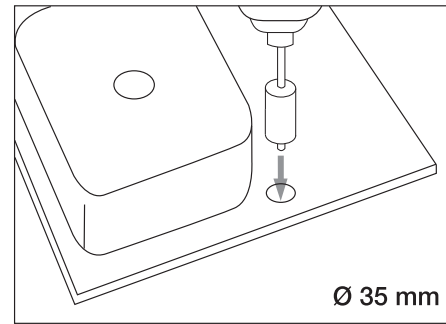
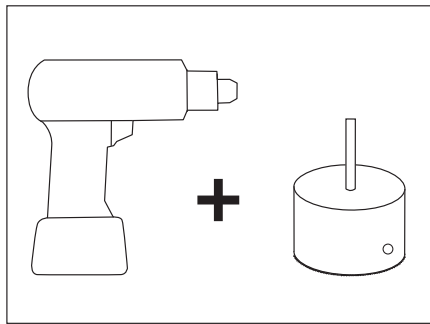
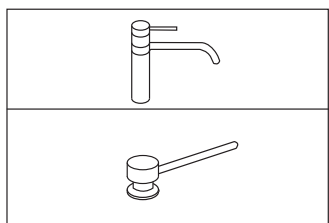
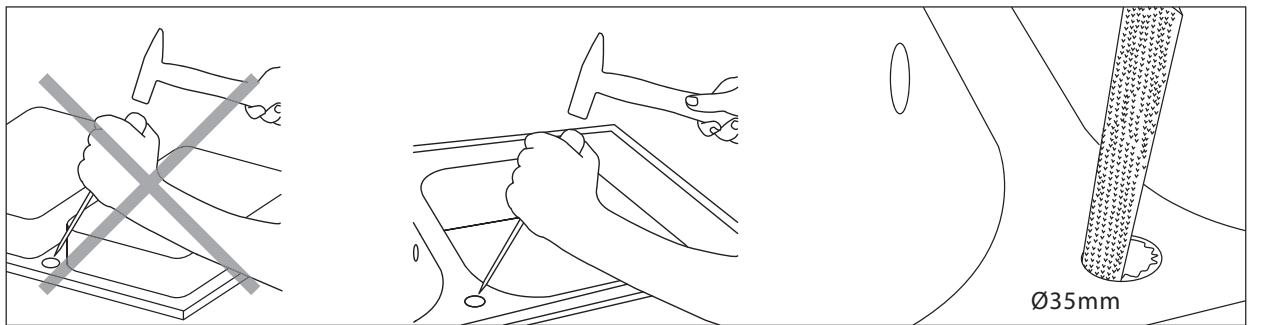
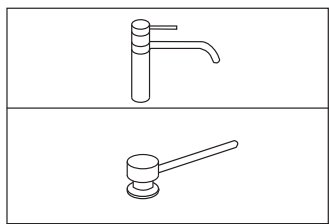


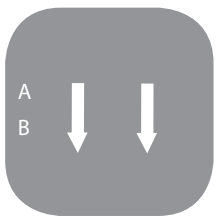
Faucet/Dispenser Hole Drilling  
\*recommended



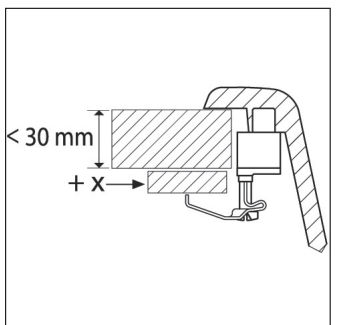
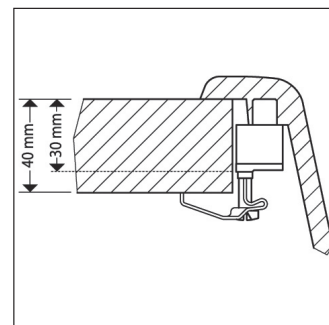
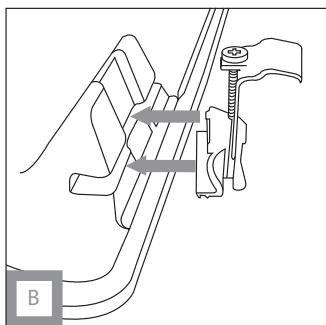
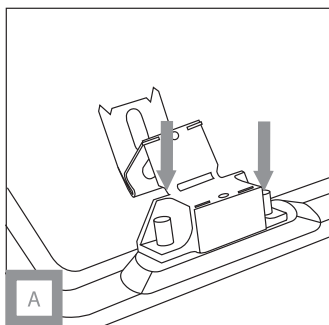
Faucet/Dispenser Hole Knock Out



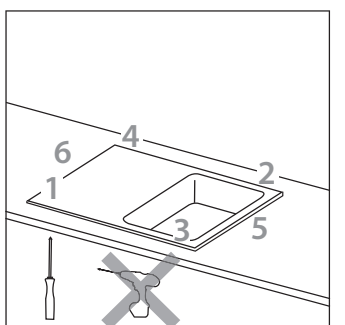
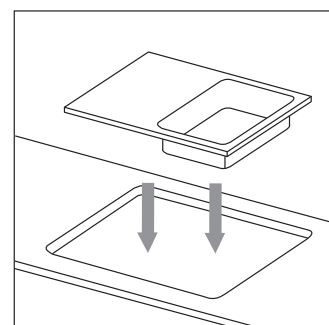
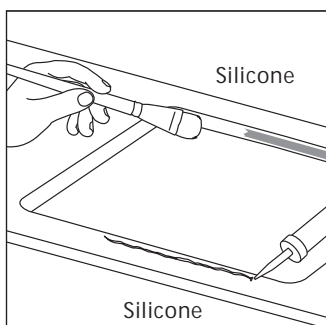
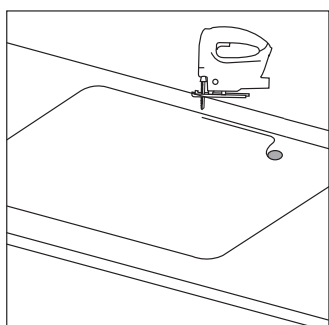
\*please make sure your sink is supported around the outer edge, preferably set into the counter top



Topmount Clip installation



Topmount Sink installation



Undermount Sink Installation

