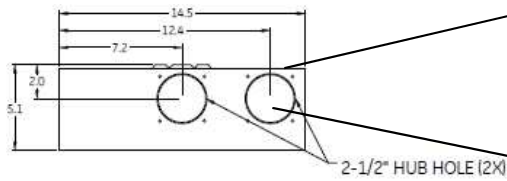
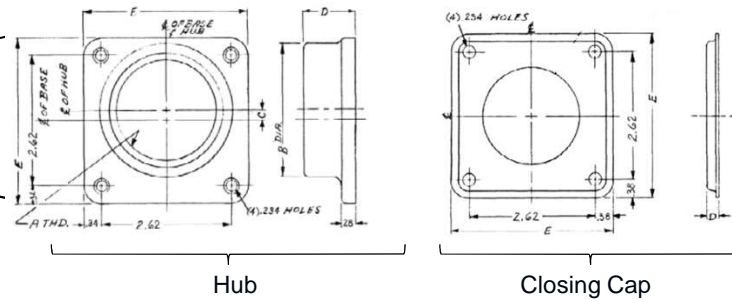


Top View



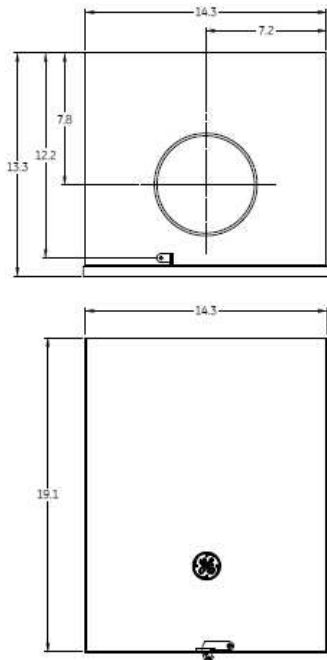
Hub Dimensions



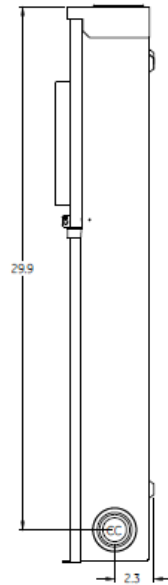
Available Hubs

Cat#	Mod#	A-THD	B-DIA	C	D	E
TC75	2	"¾-14"	1.31	0.81	1.03	3.31
TC100	2	"1 - 11 ½"	1.53	0.69	1.03	3.31
TC125	2	"1 ¼ - 11 ½"	1.88	0.53	1.03	3.31
TC150	2	"1 ½ - 11 ½"	2.12	0.42	1.03	3.31
TC200	2	"2 - 11 ½"	2.62	0.2	1.03	3.31
TC250	2	"2 ½ - 8"	3.19	NONE	1.22	3.31
TCCP Closing Cap	1	NONE	NONE	NONE	0.25	3.38

Front Separated View



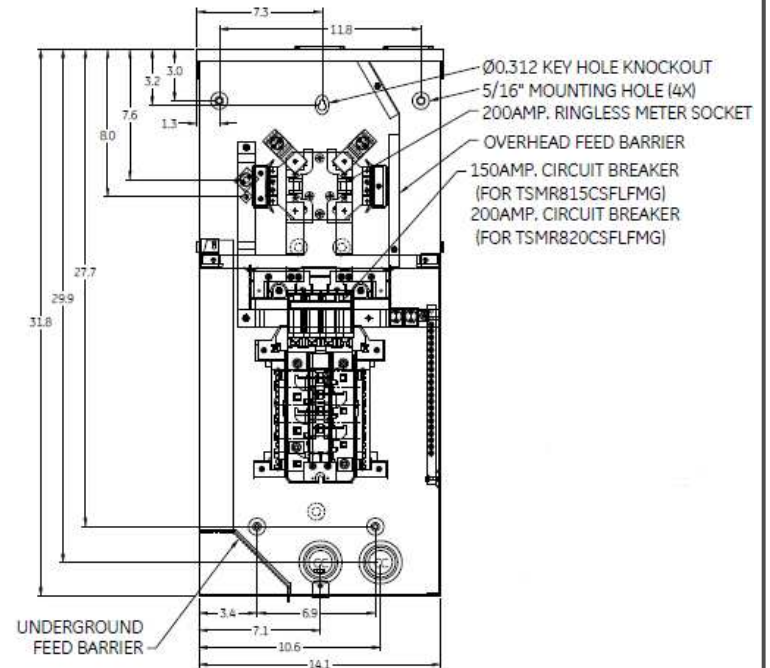
Side View



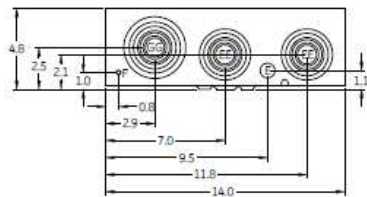
Main Wire Size

#6 – 4/0 (Al/Cu)

Inside View



Bottom View



Note : All Dimensions have ±0.125 Tolerance

Knockouts

F = 9/32"
E = 1/2"
CC = 1/2", 3/4", 1", 1-1/4", 1-1/2", 2"
EE = 1/2", 3/4", 1", 1-1/4", 1-1/2", 2", 2-1/2"
GG = 1-1/4", 1-1/2", 2", 2-1/2", 3"



imagination at work

Main Breaker THQMV-Ringless-150A 22K - 8/16 Circuits - N3R Encl Surface Front - UG/OH Incoming Feed – Feed-Thru Lugs - MEG Listed

CAT NO	DWG DATE	REV #
TSMR815CSFLFMG	6/4/2015	01