

Ecowell™
LULU™
QUICK CLEAN

**WET/DRY
VACUUM
& WASH**

SKU#: P03
Model#: CL-2001



USER MANUAL

Read this instruction manual thoroughly before using the product. It contains important information for your safety as well as operating and maintenance advice.



4-IN-1

⚠ WARNING

TO REDUCE THE RISK OF INJURY, USER
MUST READ INSTRUCTION MANUAL
BEFORE OPERATING PRODUCT.

PLEASE DO NOT RETURN TO STORE.
ALTON IS HERE TO HELP.

Helpline:
1-888-899-0146

Alton Industry Ltd. Group
Manufactured by: Alton Industry Ltd.Group
643 Innovation Dr., West Chicago, IL 60185

For more information, please visit

www.ecowell.com

MADE IN CHINA




CONTENTS

| | |
|-----------------------------------------------------------------------------------|----|
| PRODUCT OVERVIEW / TECHNICAL SPECS | 01 |
| IMPORTANT TIPS | 02 |
| PRODUCT OVERVIEW / PRODUCT INTRODUCTION | 06 |
| PRODUCT OVERVIEW / PRODUCT DISASSEMBLING | 08 |
| PRODUCT OVERVIEW / OPERATION | 13 |
| DAILY MAINTENANCE / PRODUCT MAINTENANCE | 14 |
| DAILY MAINTENANCE / TROUBLESHOOTING | 17 |
| DAILY MAINTENANCE / STATISTICAL TABLE OF HAZARDOUS SUBSTANCE IN PRODUCTS | 19 |
| AFTER-SALES SERVICE | 20 |
| WARRANTY | 21 |

PRODUCT OVERVIEW / TECHNICAL SPECS

Technical SPECS

| Category | Technical Specs |
|---------------------------------------------|---------------------------------------------------------------------------------------------|
| Product model | CL-2001 |
| Operating voltage(V) | 29.6V |
| Rated power(W) | 180W |
| Battery capacity (mAh) | 2600mAh |
| Charging voltage | 36V  500mA |
| Battery model | 18650-2600 |
| Adapter model | CZH015360050USWP |
| Solution barrel capacity(oz) | 20.29oz |
| Primary charging time(h) | 5~6h |
| Continuous working time for one charge(min) | ≈25mins |
| Overall dimension(inch) | 42.87*11.02*9.33inches |
| Net weight(lbs) | 8.16lbs |

CAUTION

- The above data is from our laboratory, and the actual use varies according to the change of the environment.
- Due to the need for continuous improvement of products, the information is subject to actual product, and our company reserves the right to update the products.

IMPORTANT TIPS

IMPORTANT SAFETY INSTRUCTIONS READ ALL INSTRUCTIONS BEFORE USING

Before using this product, please carefully read all the contents of this manual and install the machine according to the steps of this manual. Keep this manual properly stored. If you transfer the product to a third party for use, please attach this manual with the machine. Any operation inconsistent with the instructions in the manual may cause product damage or serious personal injury. This product is only suitable for operation in conventional household environments; not suitable for industrial or outdoor use.

WARNING

TO REDUCE THE RISK OF FIRE, ELECTRIC SHOCK, OR INJURY:

- Do not use outdoors or on wet surfaces.
- Do not allow to be used as a toy. Close attention is necessary when used by or near children.
- Use only as described in this manual. Use only manufacturer's recommended attachments.
- Do not handle plug or appliance with wet hands.
- Do not put any object into openings. Do not use with any opening blocked; keep free of dust, lint, hair, and anything that may reduce air flow.
- Keep hair, loose clothing, fingers, and all parts of body away from openings and moving parts.
- Turn off all controls before unplugging.
- Use extra care when cleaning on stairs.
- Do not use to pick up flammable or combustible liquids, such as gasoline, or use in areas where they may be present.
- Prevent unintentional starting. Ensure the switch is in the off position before connecting to battery pack or picking up or carrying the appliance. Carrying the appliance with your finger on the switch or energizing appliance while the switch is on invites accidents.
- Recharge only with the charger specified by the manufacturer. A charger that is suitable for one type of battery pack may create a risk of fire when used with another battery pack .
- Use appliances only with specifically designated battery packs. Use of any other battery packs may create a risk of injury and fire.
- Do not use a battery pack or a appliance that is damaged or modified.
- Damaged or modified batteries may exhibit unpredictable behavior resulting in fire, explosion or risk of injury.
- Do not expose appliance to fire or excessive temperature. Exposure to fire or temperature above 130°C may cause explosion. The temperature of 130°C can be replaced by the temperature of 265°F.

- Follow all charging instructions and do not charge the battery pack or appliance outside of the temperature range specified in the instructions.
- Charging improperly or at temperatures outside of the specified range may damage the battery and increase the risk of fire.
- Have servicing performed by a qualified repair person using only identical replacement parts. This will ensure that the safety of the product is maintained.
- Do not modify or attempt to repair the appliance or the battery pack (as applicable) except as indicated in the instructions for use and care.
- The product is not suitable for people with physical, sensory or intellectual defects or lack of experience and common sense (including children), unless supervised or guided by others to ensure its safety.
- Do not touch the plug or any live part of the product with wet hands to avoid the risk of electric shock.
- If the adapter or plug is damaged, please stop using it. Please call our professional maintenance personnel to replace it to avoid harm.
- Do not use high-temperature substances (cigarette butts, matches or hot ash, etc.), ultra-fine substances (such as lime, cement, sawdust, gypsum powder, ash, carbon powder, etc.), large sharp fragments (such as glass, nails, pins, etc.), dangerous goods (such as solvents, descaling agents, etc.), chemicals (such as acids, cleaners, etc.), flammable and explosive liquids (gasoline, alcohol products), or other substances with uncertain physical properties.
- Please keep the airflow channel and moving part of this product away from long hair, loose clothing, fingers, and other parts of the body. Do not point the vacuum tube, accessory suction head, or tools towards your eyes, ears, or mouth.
- When in use, if signs of electric leakage or excessive motor temperature are found, such as overheating, abnormal sound, peculiar smell, weak suction, etc., stop using immediately and call the professional maintenance personnel of the company.
- When charging, please use the charger specially equipped by our company for you; other types of chargers may cause battery failure or extreme thermal effects.
- If the product is not used for a long time, turn off the power supply and unplug the plug of the charging base.
- After using the machine, please clean the recycling bucket in time to keep the ventilation path unblocked, so as to avoid blocking, resulting in reduced suction and motor heating, which will affect the service life of the cleaning machine.
- After using the machine, please keep it in a dry place. Wet places will affect the insulation and service life of electrical appliances.
- The body and floor brush of the cleaning machine are equipped with power on settings and cannot be washed in water.
- Please regularly check the smoothness of the suction nozzle. If there is any blockage, please remove it immediately to avoid the decrease of suction caused by the blockage and affecting the service performance of the machine.
- Do not repair the machine by yourself in case of failure. Please call the after-sales department of the company for help.
- All technical and other data reflected in this product manual are obtained by our company or the designated third-party testing company, and the final interpretation right belongs to our company.
- To reduce the risk of fire and electric shock due to internal component damage, use only the specified cleaning fluid intended for use with this appliance. See the cleaning fluid section of this manual.
- To reduce the risk of fire, do not use a flammable or combustible liquid to clean a floor.

SAVE THESE INSTRUCTIONS

► About the scope of product use

- This product is suitable for hard floors in indoor environments, including waxed floors, stone grinding floors, rubber floors, marble floors, granite floors, terrazzo floors, solid wood floors, composite floors, bamboo floors, and all kinds of mirror tiles, porcelain tiles and other flat surfaces. If this product is used on uneven ground surface, the best use effect may not be achieved.
- Do not use this product near or on the surface of flammable and explosive objects, which may cause fire and explosion.
- Do not use this product near the working fireplace and heater to prevent the deformation of the machine shell.
- Do not use this washer to absorb detergents, kerosene, gasoline, alcohol, paint, perfume, etc. These liquids may cause short circuit fire or explosion.
- Do not use this cleaning machine to absorb the toner used inside a laser printer and copier, which may cause fire or explosion.
- Do not use this cleaning machine to absorb sharp objects, such as glass fragments, small toys, pins, paper clips, stones, gypsum, large pieces of paper, etc. These objects may cause blockage and damage the machine.
- Do not use this cleaning machine to absorb any burning or smoking objects, such as soot that has not extinguished the heat source, burning cigarette butts or matches, etc.

► About cleaning solution

If a large amount of cleaning fluid penetrates the motor, it will cause danger.

- Please follow the instructions to mix detergent. It is recommended to use cleaners made by our company and our standard manufacturers. The cleaner shall not contain acid, alkali solution or substances harmful to the environment.

- Keep the detergent out of the reach of children. If the cleaning solution accidentally enters the eyes, rinse it thoroughly with clean water; in case of accidental ingestion, seek medical attention immediately.

- Local environmental regulations shall be followed when treating sewage and cleaning solution.

► About machine

- Do not disassemble the closed machine by yourself. There are no parts in the machine that can be repaired by customers, and do not try to change the machine, which will lead to danger.
- Using a voltage that does not correspond to the specifications of this product will damage the motor and more likely cause harm to the user.
- The correct rated voltage is indicated on the nameplate.
- Do not shake the machine up and down or collide violently to prevent sewage from flowing into the motor.
- When the motor is working, please do not lift or carry the appliance up and down, and do not tilt the machine to one side or lay it flat to prevent sewage from entering the motor.
- In order to prevent tripping, the machine should be placed against the wall after use.
- Do not use if the solution tank and recovery tank are not properly installed.
- Do not place any small objects at the air outlet, and do not block the air outlet. Remove all small objects that may hinder the smooth air flow at the air outlet to prevent the machine from overheating.
- Do not wet the machine body; otherwise fire and electric shock may occur due to short circuit of the machine.

► **Genuine parts and accessories**

We recommend using this appliance only with ECOWELL brand solutions (for carpet and spot cleaners), parts, and accessories. Damage caused by use with other than ECOWELL brand solutions, parts, and accessories is not covered by and may void your warranty.

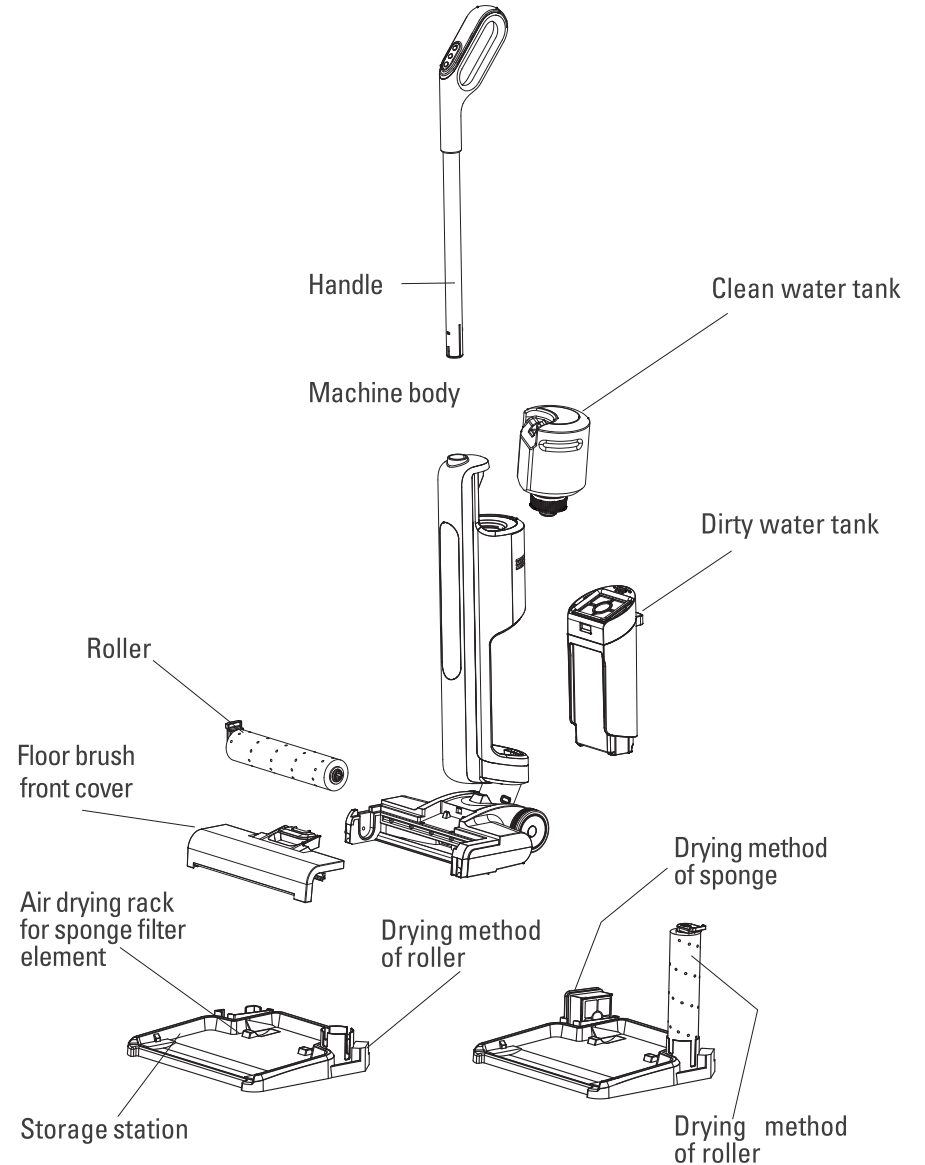


This product uses a Li-ion rechargeable and recyclable battery. When the battery no longer holds a charge, it should be removed from the vacuum and recycled. DO NOT incinerate or compost the battery. When your battery needs to be replaced, dispose of it or recycle it in accordance with local regulations. In some areas, it is illegal to place spent lithium-ion batteries in the bin or in a municipal solid waste stream. Return spent batteries to an authorized recycling center or to retailer for recycling. Contact your local recycling center for information on where to drop the spent battery.



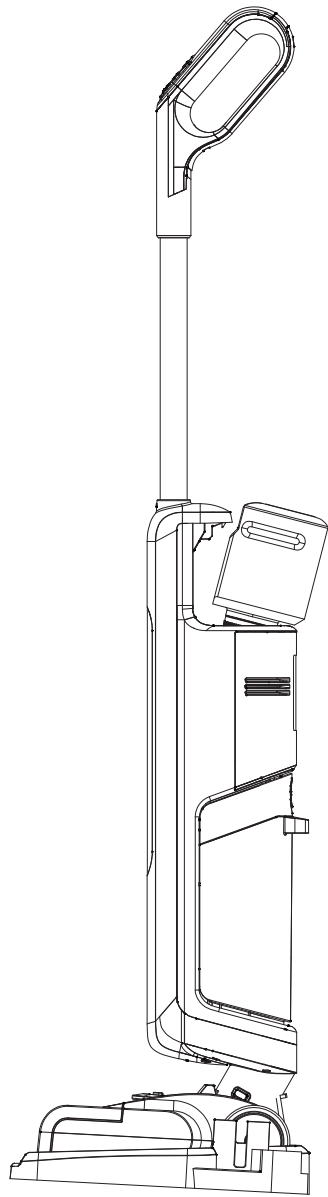
ONLY USE THE SUPPLY UNIT PROVIDED WITH THIS APPLIANCE.

PRODUCT OVERVIEW / PRODUCT INTRODUCTION



PRODUCT OVERVIEW / PRODUCT DISASS EMBLING

Handle installation instructions



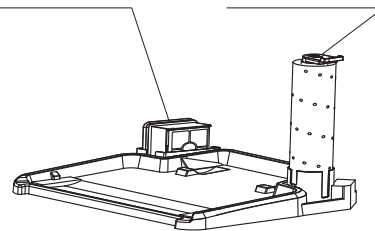
Main body



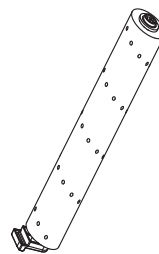
Adapter

Drying method of sponge

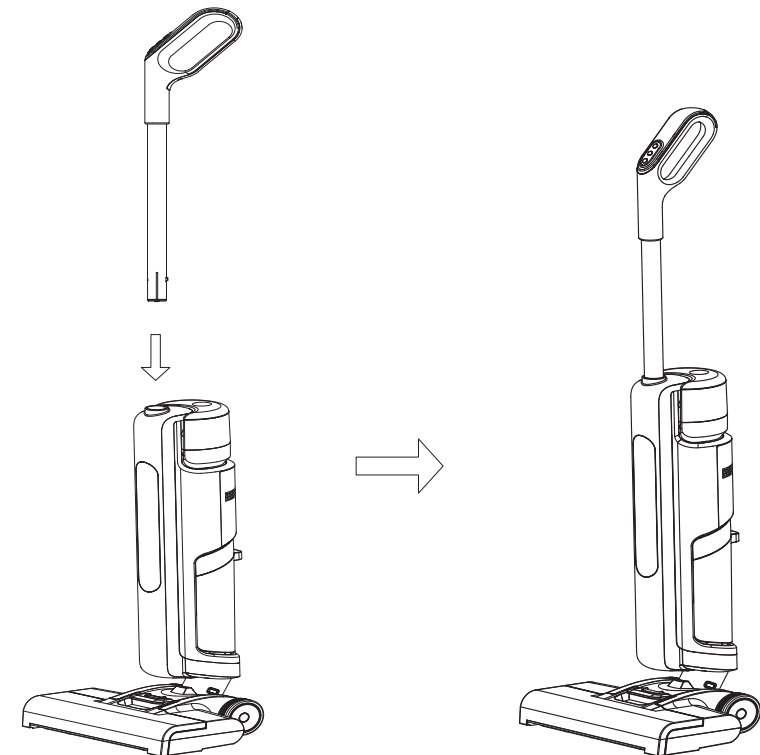
Drying method of roller



Storage station
(Tray+ Attachment bracket)



Roller

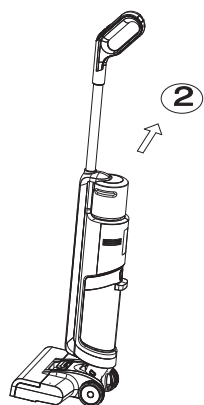
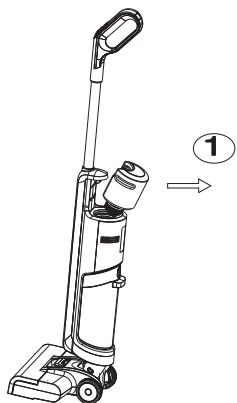


Insert the end of the handle into the port of the host along the vertical direction of the wire so that the arrow mark on the back completely submerges into the body. After hearing the click, ensure that the handle is tight without looseness, that is, the installation is successful.

If you want to disassemble, please insert a tool into the removal hole on the back of the fuselage, firmly press the stop block, and pull the handle upward at the same time to complete the removal.

Take out the clean water tank

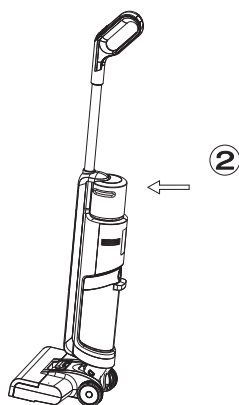
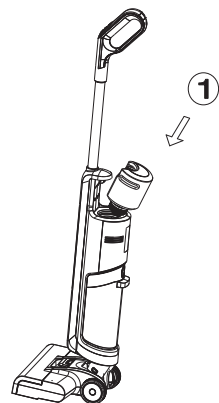
Take out the water tank



To take out the water tank, hold the body with one hand and press the water tank down with the other hand. Rotate and take it out in the direction of arrows ① and ②.

Install the clean water tank

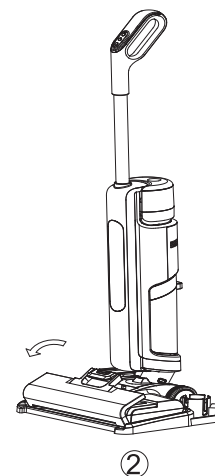
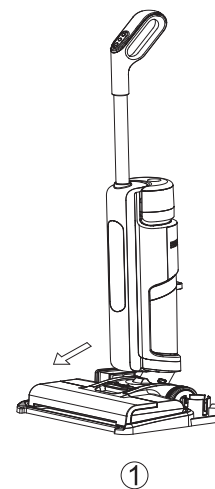
Install the water tank



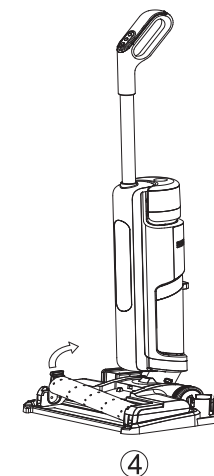
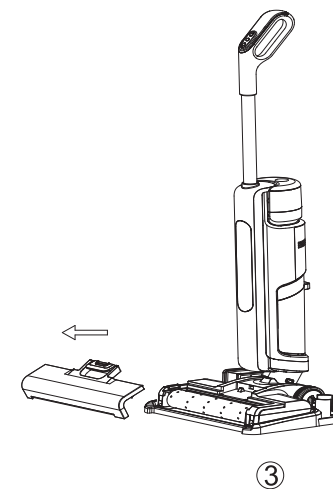
A click indicates that the installation is in place

To install the water tank, hold the water tank and align it with the bottle cap drop hole. First press it in the direction of arrow ①, and then push it tightly in the direction of arrow ②. After hearing the click, ensure that the water tank is tight and stable. The installation is complete.

Disassembly and assembly instructions for roller cover



To remove the front cover of the roller, press the front release button with your thumb, pull it up and take out the roller cover.



To remove the roller, pull up the left roller handle with your fingers.

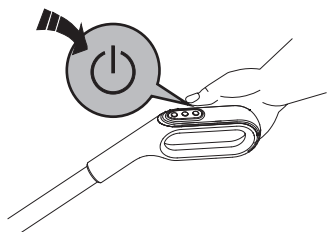
PRODUCT OVERVIEW / OPERATION

Get Started

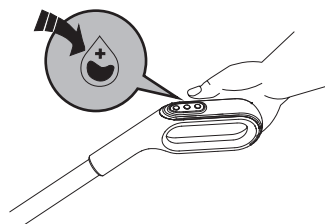
- ▶ Before use, please check whether your cleaning machine has power. If not, please charge it (refer to "product charging" for details) and use it after it is fully charged.
- ▶ Select the use mode according to the actual needs.

WARNING

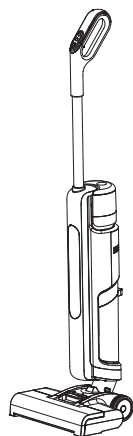
- Please do not use foam liquid.
- It is recommended to use large-scale water spraying in heavily soiled environments.



The on / off key of the machine is located on the handle, as shown in the figure. Short press this key to start the machine. After startup, the mode defaults to the normal cleaning mode without water spraying. Short press this key again to stop the machine.



The key button of water spray on is shown in the figure. When working, press this key the first time to start small-scale water spray for the floor brush. Press this key the second time to start large-scale water spray for the floor brush. Press this key the third time for the floor brush to stop spraying water.

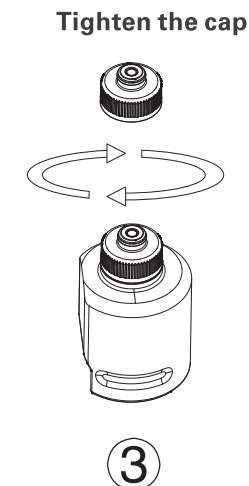
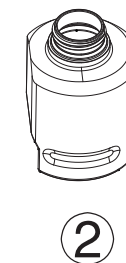
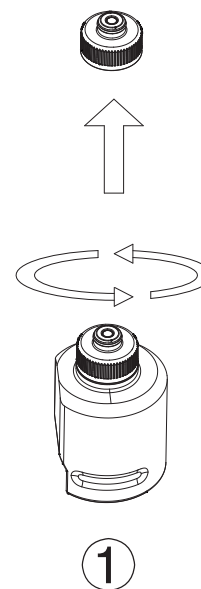


After using the machine, it is recommended to place it vertically on the tray specially equipped for you.

Fill tank with water

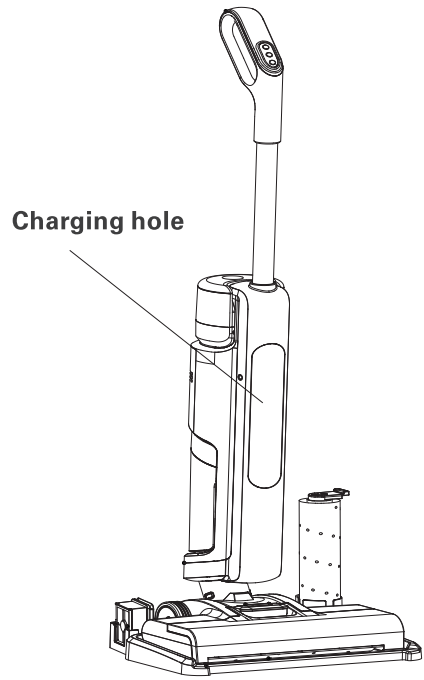
Add tap water

Water spray function. Do not add water higher than 40°C. It is forbidden to add non-original cleaning fluid and unknown chemicals.



1. Unscrew the cap.
2. Inject tap water (below 40°C) to the water level.
3. Tightly cover the upper cover of the water tank to ensure that it is tight without looseness (Fig. 3).

Product charging



Charging hole

Connect one end of the charger to the host and the other end to the home socket. When charging, please keep the machine upright and close to the corner of the wall to avoid tripping and other injuries.

About indicators

| | |
|---------------------------|------------------------------|
| General cleaning mode | Green light normally on |
| Insufficient power | Indicator light |
| Brush blocked | Red light flashes |
| When charging the product | Blue light is like a marquee |
| When fully charged | Blue light normally on |

CAUTION

Every 3 months after purchase, please use the charger specially equipped for you by our company to charge the battery for 3 hours (there is no need to fully charge).

Safe treatment method of waste battery

- When the battery contained in the appliance contains materials harmful to the environment, the battery must be removed from the appliance before abandoning the appliance.
- When removing the battery, the appliance must be powered off.
- Please dispose of the waste battery safely and properly. Do not put it into fire, water, or soil.
- If the leakage of waste battery touches the skin or clothing, please wash it with clean water to avoid skin discomfort and see a doctor for treatment quickly.

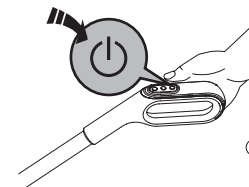
DAILY MAINTENANCE / PRODUCT MAINTENANCE

Clean the main body

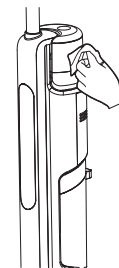
► In order not to affect the performance of the machine, it is recommended that you maintain its parts regularly.

HOT TIPS

After cleaning, it is recommended to place the whole machine upright in the station. Do not to put it in direct sunlight or a wet place.

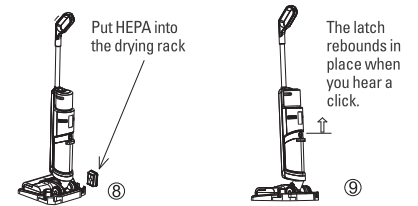
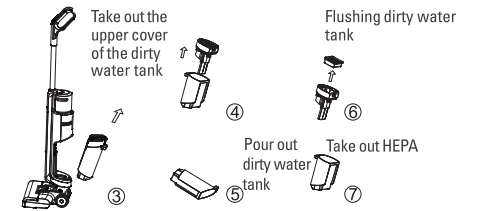


1. Please stop the machine before cleaning (Fig. 1).



2. Scrub with water or neutral detergent. Be sure to dry the cleaning cloth before scrubbing. Do not infiltrate water into the electrical components of the machine (Fig. 2).

Clean the dirty water tank



1. When the dust bucket is full of sewage and reaches the warning line, the water level buoy rises to the preset position, and the machine stops working. Please empty the dirty water tank as soon as possible.

2. After stopping the work, take out the dirty water tank, pour out the sewage, and wash it the tank with water (Fig. 3-7).

3. Put the sponge filter element into the drying rack for drying (Fig. 8).

4. After cleaning, close the dirty water tank cover, and install it back to the machine body, until hearing the click (Fig. 9).

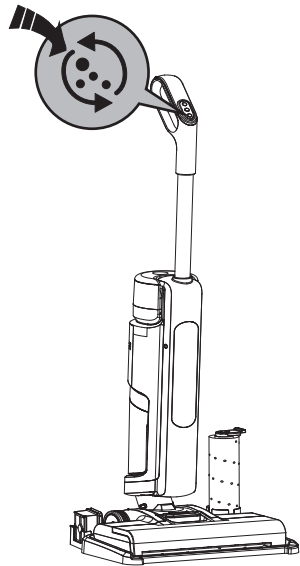
Roller self-cleaning

- ▶ After using the whole machine, please use the self-cleaning function to keep it clean and tidy.

WARNING

Before using the self-cleaning function and after the self-cleaning, please clean the sewage in the dirty water tank.

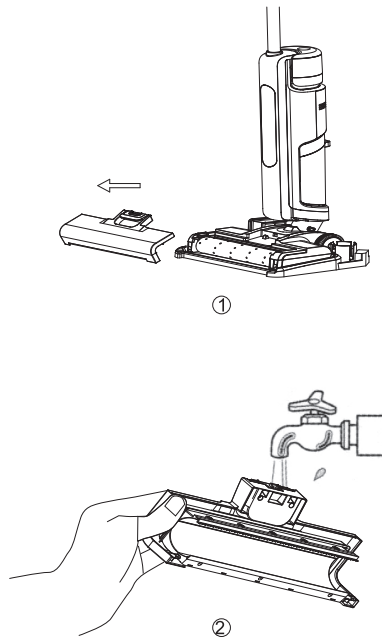
Press and hold for 1 second



Before self-cleaning, please place the machine in the station. It is recommended to fill the clean water tank with water. Long press the machine self-cleaning button for 1 second to start the self-cleaning procedure. After self-cleaning, the machine will shut down automatically. Each cleaning takes 2 minutes and 5 seconds.

Roller self-cleaning

- ▶ It is recommended to clean the roller brush cover regularly after the whole machine is used to keep it clean and tidy.



1. First put your finger on the position as shown in (Fig.1), press the front release button with your thumb, break it up, and take out the roller cover.
2. After removal, rinse with clean water until it is clean (Fig.2).

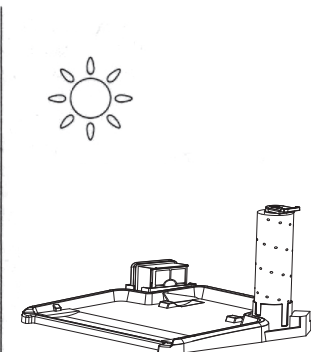
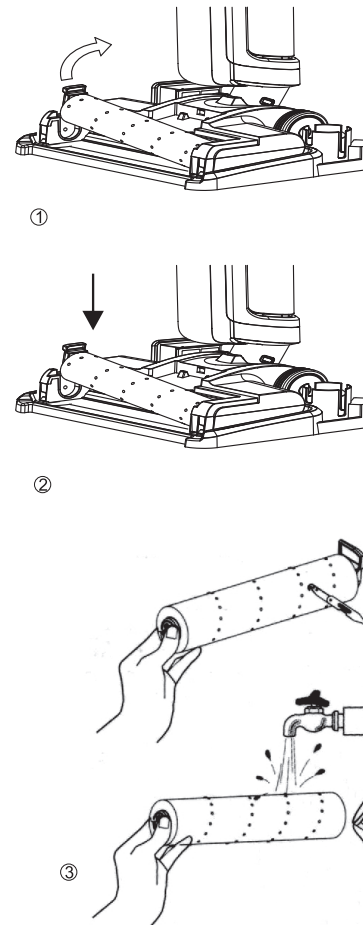
Clean the roller

- ▶ It is recommended to clean the roller after each use of the whole machine to keep it clean and tidy.

1. Pull up the handle at the left end of the roller and remove the roller (Fig. 1).

2. The handle of the roller can be removed. Please use a tool to remove the hair or debris wrapped on the roller head, and then wash and dry the roller with clean water (Fig. 2).

3. After cleaning, first install the roller handle, and then install the roller into the floor brush. During installation, first align the right concave tooth structure of the roller with the right protruding tooth structure, and then push the left (one end with handle) along the left groove (Fig. 3).



DAILY MAINTENANCE / TROUBLESHOOTING

Analysis and treatment of common faults

► This recommendation is made in the previous section.

| Common faults | Possible causes | Solution |
|-------------------------------------------------------------------|--------------------------------------------------------------|----------------------------------------------------------------------------------------|
| Four red lights are always on | The standard charger of the machine is not used for charging | Use the standard adapter of the machine for charging |
| The last power indicator flashes | The machine is low on power | Charge the machine |
| Four red lights flash for 3 seconds | The machine is under voltage protected | Charge the machine |
| The first red light of the power indicator flashes for 3 seconds | Floor brush blocking protection | Clean the floor brush in time after shutdown, and use it after removing foreign matter |
| Other red and blue lights flash | General prompt or fault prompt | Please contact our after-sales service person |
| White light of the water spray indicator flashes for five seconds | The sewage of the dirty water tank is full | Clean the dirty water tank |

Analysis and treatment of common faults

► If the product still cannot work normally according to the steps in the right table, please contact our after-sales service department for help.

| Common faults | Possible causes | Solution |
|--------------------------------------|----------------------------------------------------------------------------------------------------------------------------------------------------------------------------------------------------------------------------------------------------------------------------------------------------------------------|---------------------------------------------------------------------------------------------------------------------------------------------------------------------------------------|
| Cleaning machine not working | The product has no power or insufficient power The roller brush is entangled by hair and other objects | Please fully charge the product before use cleaning roller |
| Reduced product suction | The sewage of the dust bucket has reached the specified capacity The roller brush cover or dust bucket is not installed in place The brush is entangled by hair and other objects The suction nozzle is blocked The filter screen of sponge filter element is dirty The battery power is insufficient | Please fully charge the product before use cleaning roller |
| Abnormal sound during motor rotation | The suction nozzle is blocked The sewage of the dust bucket has reached the specified capacity | Clean the obstacles in the suction nozzle Take out the dust bucket and pour out the sewage before use |
| The product cannot be charged | The interface between the host and the charger is not connected well The standard charger of the machine is not used for charging | Please check and connect it Use the standard charger of the machine for charging |
| The floor brush does not water out | The tank needs water The tank is not installed properly | Fill the tank with water Reinstall the tank |
| Leakage of air cover | The filter sponge is not installed The buoy is not installed Filter sponges not dried after washing or using The sewage has reached the specified capacity | Install the filter sponge Install the buoy After washing or using the filter sponge, please dry and use again. Take out the dust bucket, pour out the sewage and then use it |

DAILY MAINTENANCE / STATISTICAL TABLE OF HAZARDOUS SUBSTANCE IN PRODUCTS

Statistical table of hazardous substance in products

| Component name/ Hazardous substance | Lead | Mercury | Cadmium | Hexavalent chromium | Polybrominated diphenyl | Polybrominated diphenyl complex |
|----------------------------------------|------|---------|---------|---------------------|-------------------------|---------------------------------|
| Plastic parts | 0 | 0 | 0 | 0 | 0 | 0 |
| Wire assembly | 0 | 0 | 0 | 0 | 0 | 0 |
| Motor assembly | 0 | 0 | 0 | 0 | 0 | 0 |
| Silicone rubber assembly | 0 | 0 | 0 | 0 | 0 | 0 |
| Hardware components | 0 | 0 | 0 | 0 | 0 | 0 |
| Circuit board (electronic) assembly | X | 0 | 0 | 0 | 0 | 0 |
| Adapter | X | 0 | 0 | 0 | 0 | 0 |
| Battery | X | 0 | 0 | 0 | 0 | 0 |
| Sponge | 0 | 0 | 0 | 0 | X | X |

CAUTION

0: Indicates that the content of the hazardous substance in all homogeneous materials of the component is below the limit specified in the current effective version of GB/T 26572 and (EU) 2015/863.

X: It means that the content of the hazardous substance in at least one homogeneous material of the component exceeds the limit requirements specified in the current effective version of GB / T 26572 and (EU) 2015/863, and there is no mature alternative in the industry at present, which meets the environmental protection requirements of USA RoHS directive.

10 The number in this sign indicates that the environmental protection service life of the product under normal use is 10 years.

AFTER-SALE SERVICE

Warranty notice

- From the date of purchase, the whole machine is guaranteed for two years and the motor is guaranteed for two years, including two years for battery. Gifts are not within the scope of warranty.
- Please keep your purchase invoice and relevant vouchers as an important basis for warranty service. Products purchased and used only in USA.
- If the product fails during the warranty period and cannot be eliminated after checking the common faults according to the instructions, please call the national unified consulting service hotline 1-888-899-0146 to contact us.
- The company provides lifelong maintenance service for products, but if it exceeds the warranty period, customers need to pay maintenance fee, material fee and transportation fee.
- Warranty card: this card has detailed maintenance record instructions, which can be used as a reference for your normal maintenance or return and replacement, so please keep this card properly stored.

No warranty coverage

Under the following circumstances, the company will not be able to provide free warranty service for your machine within the warranty period:

- Failure to follow the instructions in the manual, resulting in damage or failure due to improper use, neglect of care, etc.
- Normal wear and loss parts (such as roller brush, filter material, cleaning brush, clean electric floor cleaning fluid, etc.).
- Normal wear and loss of parts (such as roller brush, filter material, cleaning brush, cleaning solution for cleaning floors, etc.).
- Abnormally blocked and not cleaned correctly according to the instructions.
- Non-absorbent products are used for damage or failure caused by water absorption.
- Damage or failure caused by using the clean electricity product for any purpose other than normal household use.
- Damage or failure caused by using non-ECOWELL accessories, or modification of ECOWELL.
- The battery discharge time is shortened due to battery aging or use.
- Incorrect installation.

WARRANTY

Alton Industry Ltd. Group

2-Year Limited Warranty

This warranty covers any defects in materials or workmanship of the enclosed product. Alton Industry Ltd. Group will repair or replace any defective materials due to craftsmanship of the product. This warranty does not cover any problem caused by misuse, abuse, accidents or acts of God, such as floods or hurricanes. Consequential and incidental damages are not covered under this warranty. Coverage terminates if you sell or otherwise transfer the ownership. If you feel you have a defective product, please submit a copy of your receipt to the address below and call 1-888-899-0146 for instructions prior returning this item to the store or sending back to:

Alton Industry Ltd. Group
643 Innovation Drive
West Chicago, IL 60185

We will inspect the product and contact you within 72 hours to give you the results of our inspection. We reserve the right to repair or replace the product at our discretion. However, we may replace the product with one of similar but not exact features. Parts and Service Information available call Alton Industry at 1-888-899-0146. This warranty gives you specific legal rights. You may have other rights which vary from state to state.

