

IMPORTANT:
Read Before Using

IMPORTANT :
Lire avant usage

IMPORTANTE:
Leer antes de usar

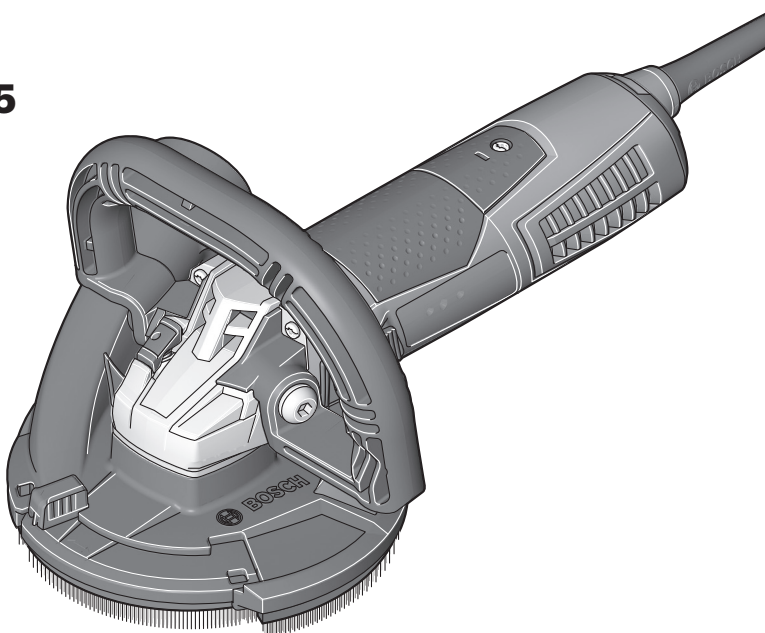


Operating/Safety Instructions

Consignes de fonctionnement/sécurité

Instrucciones de funcionamiento y seguridad

CSG15



BOSCH

Call Toll Free for
Consumer Information
& Service Locations

Pour obtenir des informations
et les adresses de nos centres
de service après-vente,
appelez ce numéro gratuit

Llame gratis para
obtener información
para el consumidor y
ubicaciones de servicio

1-877-BOSCH99 (1-877-267-2499) www.boschtools.com

For English Version
See page 2

Version française
Voir page 13

Versión en español
Ver la página 24



General Power Tool Safety Warnings



WARNING

Read all safety warnings and all instructions. Failure to follow the warnings and instructions may result in electric shock, fire and/or serious injury.

SAVE ALL WARNINGS AND INSTRUCTIONS FOR FUTURE REFERENCE

The term “power tool” in all of the warnings refers to your mains-operated (corded) power tool or battery-operated (cordless) power tool.

Work area safety

Keep work area clean and well lit. Cluttered or dark areas invite accidents.

Do not operate power tools in explosive atmospheres, such as in the presence of flammable liquids, gases or dust. Power tools create sparks which may ignite the dust or fumes.

Keep children and bystanders away while operating a power tool. Distractions can cause you to lose control.

Electrical safety

Power tool plugs must match the outlet. Never modify the plug in any way. Do not use any adapter plugs with earthed (grounded) power tools. Unmodified plugs and matching outlets will reduce risk of electric shock.

Avoid body contact with earthed or grounded surfaces such as pipes, radiators, ranges and refrigerators. There is an increased risk of electric shock if your body is earthed or grounded.

Do not expose power tools to rain or wet conditions. Water entering a power tool will increase the risk of electric shock.

Do not abuse the cord. Never use the cord for carrying, pulling or unplugging the power tool. Keep cord away from heat, oil, sharp edges or moving parts. Damaged or entangled cords increase the risk of electric shock.

When operating a power tool outdoors, use an extension cord suitable for outdoor use. Use of a cord suitable for outdoor use reduces the risk of electric shock.

If operating the power tool in damp locations is unavoidable, use a Ground Fault Circuit Interrupter (GFCI) protected supply. Use of an GFCI reduce the risk of electric shock.

Personal safety

Stay alert, watch what you are doing and use common sense when operating a power tool. Do not use a power tool while

you are tired or under the influence of drugs, alcohol or medication. A moment of inattention while operating power tools may result in serious personal injury.

Use personal protective equipment. Always wear eye protection. Protective equipment such as dust mask, non-skid safety shoes, hard hat, or hearing protection used for appropriate conditions will reduce personal injuries.

Prevent unintentional starting. Ensure the switch is in the off-position before connecting to power source and / or battery pack, picking up or carrying the tool. Carrying power tools with your finger on the switch or energizing power tools that have the switch on invites accidents.

Remove any adjusting key or wrench before turning the power tool on. A wrench or a key left attached to a rotating part of the power tool may result in personal injury.

Do not overreach. Keep proper footing and balance at all times. This enables better control of the power tool in unexpected situations.

Dress properly. Do not wear loose clothing or jewelry. Keep your hair, clothing and gloves away from moving parts. Loose clothes, jewelry or long hair can be caught in moving parts.

If devices are provided for the connection of dust extraction and collection facilities, ensure these are connected and properly used. Use of dust collection can reduce dust-related hazards.

Power tool use and care

Do not force the power tool. Use the correct power tool for your application. The correct power tool will do the job better and safer at the rate for which it was designed.

Do not use the power tool if the switch does not turn it on and off. Any power tool that cannot be controlled with the switch is dangerous and must be repaired.

Disconnect the plug from the power source





and/or the battery pack from the power tool before making any adjustments, changing accessories, or storing power tools. Such preventive safety measures reduce the risk of starting the power tool accidentally.

Store idle power tools out of the reach of children and do not allow persons unfamiliar with the power tool or these instructions to operate the power tool. Power tools are dangerous in the hands of untrained users.

Maintain power tools. Check for misalignment or binding of moving parts, breakage of parts and any other condition that may affect the power tool's operation. If damaged, have the power tool repaired before use. Many accidents are caused by poorly maintained power tools.

Keep cutting tools sharp and clean. Properly maintained cutting tools with sharp cutting edges are less likely to bind and are easier to control.

Use the power tool, accessories and tool bits etc. in accordance with these instructions, taking into account the working conditions and the work to be performed. Use of the power tool for operations different from those intended could result in a hazardous situation.

Service

Have your power tool serviced by a qualified repair person using only identical replacement parts. This will ensure that the safety of the power tool is maintained.

Power Tool-Specific Safety Warnings

This power tool is intended to function as a concrete surface grinder. Read all safety warnings, instructions, illustrations and specifications provided with this power tool. Failure to follow all instructions listed below may result in electric shock, fire and/or serious injury.

Operations such as Type 27 grinding, sanding, wire brushing, polishing or cutting-off are not recommended to be performed with this power tool. Operations for which the power tool was not designed may create a hazard and cause personal injury.

Do not use accessories which are not specifically designed and recommended by the tool manufacturer. Just because the accessory can be attached to your power tool, it does not assure safe operation.

The rated speed of the accessory must be at least equal to the maximum speed marked on the power tool. Accessories running faster than their RATED SPEED can break and fly apart.

The outside diameter and the thickness of your accessory must be within the capacity rating of your power tool. Incorrectly sized accessories cannot be adequately guarded or controlled.

Threaded mounting of accessories must match the grinder spindle thread. For accessories mounted by flanges, the arbour hole of the accessory must fit the locating diameter of the flange. Accessories that do not match the mounting hardware of the power tool will run out of balance, vibrate excessively and may cause loss of control.

Do not use a damaged accessory. Before each use inspect the accessory such as abrasive wheels for chips and cracks, backing pad for cracks, tear or excess wear, wire brush for loose or cracked wires. If power tool or accessory is dropped, inspect for damage or install an undamaged accessory. After inspecting and installing an accessory, position yourself and bystanders away from the plane of the rotating accessory and run the power tool at maximum no-load speed for one minute. Damaged accessories will normally break apart during this test time.

Wear personal protective equipment. Depending on application, use face shield, safety goggles or safety glasses. As appropriate, wear dust mask, hearing protectors, gloves and workshop apron capable of stopping small abrasive or workpiece fragments. The eye protection must be capable of stopping flying debris generated by various operations. The eye protection must be capable of stopping flying debris generated by various operations. The dust mask or respirator must be capable of filtering particles generated by your operation. Prolonged exposure to high intensity noise may cause hearing loss.

Keep bystanders a safe distance away from work area. Anyone entering the work area must wear personal protective equipment. Fragments of workpiece or of a broken accessory may fly away and cause injury beyond immediate area of operation.

Hold the power tool by insulated gripping surfaces only, when performing an operation





where the cutting accessory may contact hidden wiring or its own cord. Cutting accessory contacting a “live” wire may make exposed metal parts of the power tool “live” and could give the operator an electric shock.

Position the cord clear of the spinning accessory. If you lose control, the cord may be cut or snagged and your hand or arm may be pulled into the spinning accessory.

Never lay the power tool down until the accessory has come to a complete stop. The spinning accessory may grab the surface and pull the power tool out of your control.

Do not run the power tool while carrying it at your side. Accidental contact with the spinning accessory could snag your clothing, pulling the accessory into your body.

Regularly clean the power tool’s air vents. The motor’s fan will draw the dust inside the housing and excessive accumulation of powdered metal may cause electrical hazards.

Do not operate the power tool near flammable materials. Sparks could ignite these materials.

Do not use accessories that require liquid coolants. Using water or other liquid coolants may result in electrocution or shock.

Further safety instructions for all operations

Kickback and Related Warnings

Kickback is a sudden reaction to a pinched or snagged rotating wheel, backing pad, brush or any other accessory. Pinching or snagging causes rapid stalling of the rotating accessory which in turn causes the uncontrolled power tool to be forced in the direction opposite of the accessory’s rotation at the point of the binding.

For example, if an abrasive wheel is snagged or pinched by the workpiece, the edge of the wheel that is entering into the pinch point can dig into the surface of the material causing the wheel to climb out or kickout. The wheel may either jump toward or away from the operator, depending on direction of the wheel’s movement at the point of pinching. Abrasive wheels may also break under these conditions.

Kickback is the result of power tool misuse and/or incorrect operating procedures or conditions and can be avoided by taking proper precautions as given below.

Maintain a firm grip on the power tool and position your body and arm to allow you to resist kickback forces. Always use auxiliary handle, if provided, for maximum control over

kickback or torque reaction during start-up. The operator can control torque reactions or kickback forces, if proper precautions are taken.

Never place your hand near the rotating accessory. Accessory may kickback over your hand.

Do not position your body in the area where power tool will move if kickback occurs. Kickback will propel the tool in direction opposite to the wheel’s movement at the point of snagging.

Use special care when working corners, sharp edges etc. Avoid bouncing and snagging the accessory. Corners, sharp edges or bouncing have a tendency to snag the rotating accessory and cause loss of control or kickback.

Do not attach a saw chain woodcarving blade or toothed saw blade. Such blades create frequent kickback and loss of control.

Safety Warnings Specific for Grinding and Abrasive Cutting-Off Operations:

Use only wheel types that are recommended for your power tool and the specific guard designed for the selected wheel. Wheels for which the power tool was not designed cannot be adequately guarded and are unsafe.

The grinding surface of centre depressed wheels must be mounted below the plane of the guard lip. An improperly mounted wheel that projects through the plane of the guard lip cannot be adequately protected.

The guard must be securely attached to the power tool and positioned for maximum safety, so the least amount of wheel is exposed towards the operator. The guard helps to protect operator from broken wheel fragments and accidental contact with wheel.

Wheels must be used only for recommended applications. For example: do not grind with the side of cut-off wheel. Abrasive cut-off wheels are intended for peripheral grinding, side forces applied to these wheels may cause them to shatter.

Always use undamaged wheel flanges that are of correct size and shape for your selected wheel. Proper wheel flanges support the wheel thus reducing the possibility of wheel breakage. Flanges for cut-off wheels may be different from grinding wheel flanges.

Do not use worn down wheels from larger power tools. Wheel intended for larger power tool is not suitable for the higher speed of a smaller tool and may burst.





Additional Safety rules for Concrete Surfacers

Always use proper guard with diamond cup wheel. A guard protects operator from broken wheel fragments and swarf from concrete surfacing.

Only use dry diamond surfacing cup wheels with the concrete surfer. The concrete surfer is not intended for use with standard grinding, cut off cup wheels or wire brushes. Use of other accessories may cause injury.

Do not use dry diamond cup wheel that is larger than the maximum recommended size for your tool. The guard for a concrete surfer is limited to the rated size of the machine, use of larger or unauthorized wheel accessories may lead to injury.

Accessories must be rated for at least the speed recommended on the tool warning label. Wheels and other accessories running over rated speed can fly apart and cause injury. *Dry diamond cup wheels or any other accessory must have a maximum safe operating speed greater than the "no*

load RPM" marked on the tool's nameplate.

Always use auxiliary handle for maximum control over torque reaction or kickback.

Operation of the surfer without the side handle could cause loss of control, resulting in possible serious personal injury.

Before using a surfer or installing a new wheel, inspect the dry diamond cup wheel for chips and cracks. Remove damaged or worn wheels immediately. Run the tool at no load for one minute, holding the tool in the direction away from people. Wheels with flaws will normally break apart during this time.

When removing the dry diamond cup wheel from the tool avoid contact with skin and use proper protective gloves when grasping the accessory. Accessories may be hot after prolonged use.

Additional Safety Warnings

GFCI and personal protection devices like electrician's rubber gloves and footwear will further enhance your personal safety.

Do not use AC only rated tools with a DC power supply. While the tool may appear to work, the electrical components of the AC rated tool are likely to fail and create a hazard to the operator.

Keep handles dry, clean and free from oil and grease. Slippery hands cannot safely control the power tool.

Use clamps or other practical way to secure and support the workpiece to a stable platform. Holding the work by hand or against your body is unstable and may lead to loss of control.

Develop a periodic maintenance schedule for your tool. When cleaning a tool be careful not to disassemble any portion of the tool since internal wires may be misplaced or pinched or safety guard return springs may be improperly mounted. Certain cleaning agents such as gasoline, carbon tetrachloride, ammonia, etc. may damage plastic parts.

Wear hearing protection. Prolonged exposure to high intensity noise can cause hearing loss.

Use thick cushioned gloves and limit the exposure time by taking frequent rest periods. Vibration caused by the use of power tools may be harmful to your hands and arms.

This tool must be used with Respiratory Protection sufficient to block dusts including

silica from concrete cutting. N-95 rated masks minimum or full respirator protection for the operator and others in the work area.

Dust collection is required with a vacuum or other suitable dust collection system for concrete/masonry applications.

Do not use vacuum or other dust collection system when cutting metal. Sparks from metal cutting can cause fire in the collector.

Risk of injury to user. The power cord must only be serviced by a Bosch Factory Service Center or Authorized Bosch Service Station.

▲ WARNING Some dust created by power sanding, sawing, grinding, drilling, and other construction activities contains chemicals known to cause cancer, birth defects or other reproductive harm. Some examples of these chemicals are:




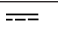
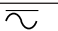
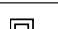
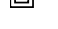





- Lead from lead-based paints,
- Crystalline silica from bricks and cement and other masonry products, and
- Arsenic and chromium from chemically-treated lumber.

Your risk from these exposures varies, depending on how often you do this type of work. To reduce your exposure to these chemicals: work in a well ventilated area, and work with approved safety equipment, such as those dust masks that are specially designed to filter out microscopic particles.



Symbols

IMPORTANT: Some of the following symbols may be used on your tool. Please study them and learn their meaning. Proper interpretation of these symbols will allow you to operate the tool better and safer.

Symbol	Name	Designation/Explanation
V	Volts	Voltage (potential)
A	Amperes	Current
Hz	Hertz	Frequency (cycles per second)
W	Watt	Power
kg	Kilograms	Weight
min	Minutes	Time
s	Seconds	Time
∅	Diameter	Size of drill bits, grinding wheels, etc.
n_0	No load speed	Rotational speed, at no load
n	Rated speed	Maximum attainable speed
.../min	Revolutions or reciprocation per minute	Revolutions, strokes, surface speed, orbits etc. per minute
0	Off position	Zero speed, zero torque...
1, 2, 3, ... I, II, III,	Selector settings	Speed, torque or position settings. Higher number means greater speed
	Infinately variable selector with off	Speed is increasing from 0 setting
	Arrow	Action in the direction of arrow
	Alternating current	Type or a characteristic of current
	Direct current	Type or a characteristic of current
	Alternating or direct current	Type or a characteristic of current
	Class II construction	Designates Double Insulated Construction tools.
	Earthing terminal	Grounding terminal
	Warning symbol	Alerts user to warning messages
	Li-ion RBRC seal	Designates Li-ion battery recycling program
	Ni-Cad RBRC seal	Designates Ni-Cad battery recycling program
	Read manual symbol	Alerts user to read manual
	Wear eye protection symbol	Alerts user to wear eye protection

Symbols (continued)

IMPORTANT: Some of the following symbols may be used on your tool. Please study them and learn their meaning. Proper interpretation of these symbols will allow you to operate the tool better and safer.



This symbol designates that this tool is listed by Underwriters Laboratories.



This symbol designates that this component is recognized by Underwriters Laboratories.



This symbol designates that this tool is listed by Underwriters Laboratories, to United States and Canadian Standards.



This symbol designates that this tool is listed by the Canadian Standards Association.



This symbol designates that this tool is listed by the Canadian Standards Association, to United States and Canadian Standards.



This symbol designates that this tool is listed by the Intertek Testing Services, to United States and Canadian Standards.



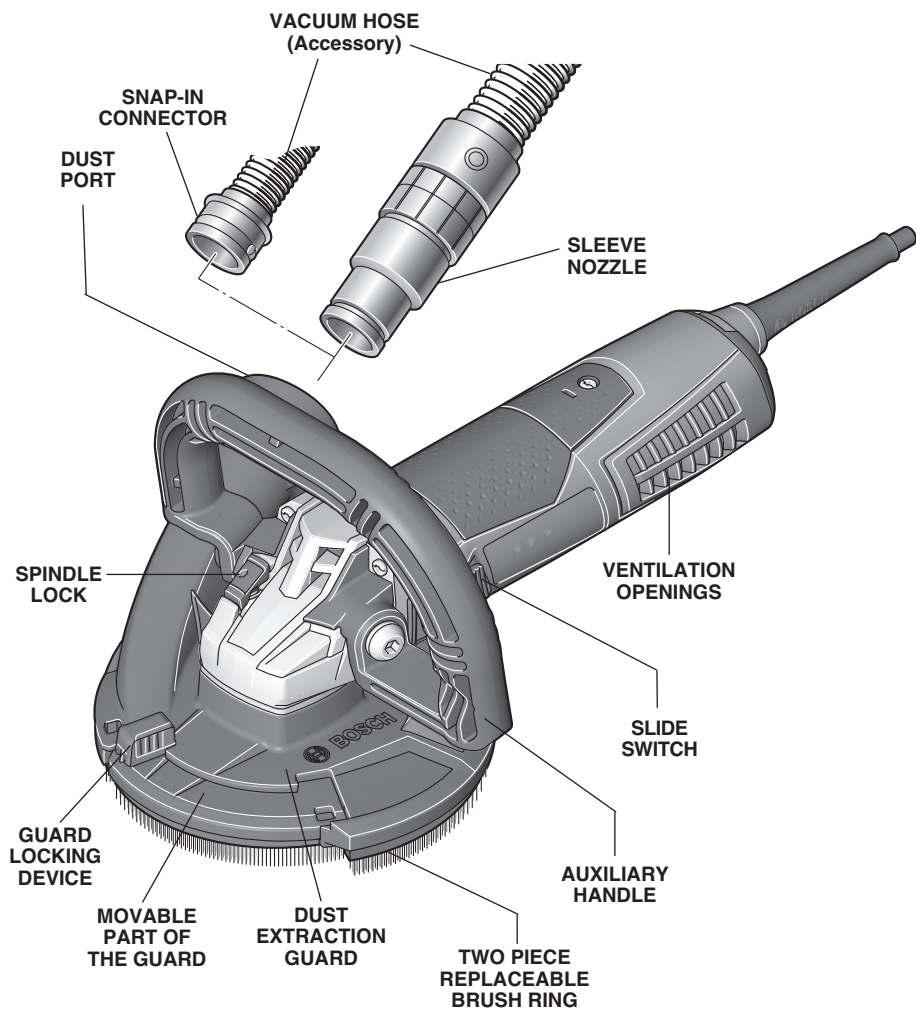
This symbol designates that this tool complies to NOM Mexican Standards.

Functional Description and Specifications

WARNING Disconnect the plug from the power source before making any assembly, adjustments or changing accessories. Such preventive safety measures reduce the risk of starting the tool accidentally.

Concrete Surfer

FIG. 1



Model number

CSG15

Dry diamond cup wheel diameter

5" (125 mm)

NOTE: For tool specifications refer to the nameplate on your tool.

Assembly

REMOVING AND INSTALLING DRY DIAMOND CUP WHEELS

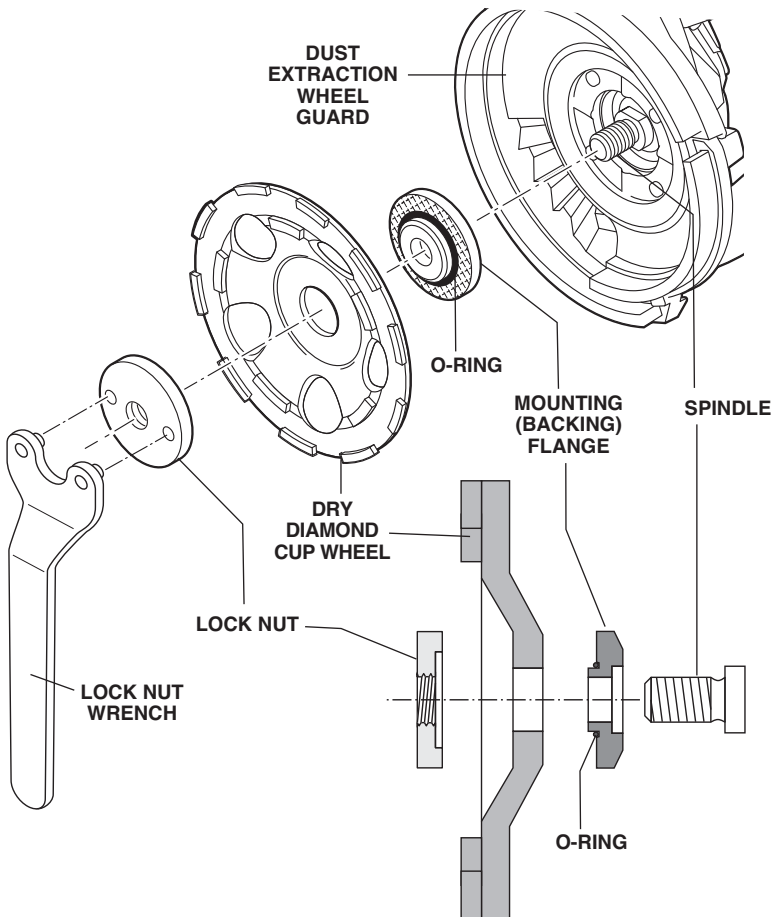
1. Depress the spindle lock button to prevent the wheel from rotating.
2. Loosen the lock nut with the wrench provided, and remove lock nut and dry diamond cup wheel (fig. 2).
3. Clean backing flange, spindle, lock nut, and guard with brush insert.
4. Make sure the mounting (or backing flange) is mounted on the grinder spindle so that the centering collar faces away from the tool. Note: The „flats“ of the mounting flange must engage on the „flats“ of the grinder

spindle to ensure proper installation.

5. A rubber (o-ring) is fitted around the centering collar of the mounting flange. If the o-ring is missing or gets damaged in any way (e.g. cut, abraded, etc.), the o-ring is available as a spare part and can be replaced. See Boschtools.com for details.

6. Place the new dry diamond cup wheel on the mounting flange. Depress the spindle lock button to lock the grinder spindle, thread the lock nut onto the spindle and securely tighten the lock nut with the wrench provided. Pay attention that the collar of the lock nut faces away from the tool. See figure 2.

FIG. 2



Operating Instructions

SLIDE ON-OFF SWITCH WITH LOCK

The tool is switched "ON" by the switch button located at the side of the motor housing. The switch can be locked in the "ON" position, a convenience for long grinding operations.

TO TURN THE TOOL "ON" without locking it, slide the switch button forward by applying pressure **ONLY** at the REAR portion of the button. When pressure is released the switch button will snap to "OFF" position.

TO LOCK THE SWITCH "ON", slide the switch button forward and press "IN" the FRONT portion.

TO UNLOCK THE SWITCH, simply press and release the REAR portion of the button. Switch is spring loaded and will snap back automatically.

WARNING Hold the tool with both hands while starting the tool, since torque from the motor can cause the tool to twist.

Start the tool before applying to work and let the tool come to full speed before contacting the workpiece. Lift the tool from the work before releasing the switch. **DO NOT** turn the switch "ON" and "OFF" while the tool is under load; this will greatly decrease the switch life.

RESTART PROTECTION

The restart protection feature prevents uncontrolled restarting of the tool after an interruption in the power supply. To restart the tool, turn the on/off switch to the off position, then back to the on position.

Note: Check the function of the restart protection feature regularly by removing the plug from the electric outlet during operation and then plugging it back into the outlet.

ELECTRONIC FEEDBACK CIRCUITRY

The electronic feedback system helps to keep the no load speed virtually constant between no-load and load conditions in order to help maintain a uniform working performance. The system also provides a "soft start", which will reduce the stresses that occur from a high torque start.

OVERLOAD PROTECTION

Your tool is equipped with overload protection to protect the motor. If the tool stops during operation **TURN OFF SWITCH**

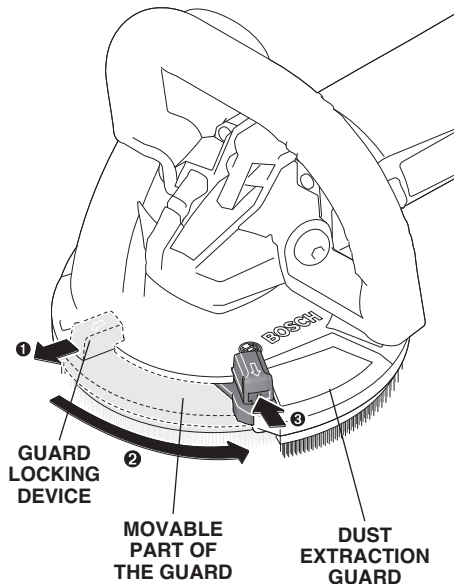
IMMEDIATELY and allow the motor to cool for about 30 seconds by running at no-load. If the overload protection stops the tool repeatedly, excessive force is causing the tool to overload. Don't press so hard and let the tool do the work.

FLUSH GRINDING

For surface grinding close to the edge / wall, slide the locking device on the dust shroud forwards and swing the movable part of the guard sideways (see figure 3). Lock the locking device. To return to surface grinding away from edges, unlock the locking device and slide the movable part of the guard back to the original position.

DUST EXTRACTION

FIG. 3



WARNING This tool must only be used with a dust extraction system. In addition, always wear approved dust mask.

Your tool is equipped with a dust port for dust. To use this feature, Insert the nozzle of a vacuum hose (accessory) into the dust port on the tool, and then connect the opposite end of the hose to a vacuum cleaner.

The Bosch vacuum hose comes with a sleeve nozzle attached to a snap-in

connector (Fig. 1). The sleeve nozzle provides the quickest, easiest connection of the nozzle to the attachment. The snap-in connector provides a more secured connection. To use the snap-in connector, remove the rubber nozzle from the vacuum hose. Press the snap-in connector into the dust port until you hear the click.

Dust port adaptors are also available to connect the Bosch dust extraction attachment to any common size vacuum

hose. See Boschtools.com for details.

Always make sure the vacuum cleaner that you use is designed for extraction of masonry dust. Bosch provides suitable vacuum cleaners.

AUXILIARY HANDLE

The auxiliary handle is used to guide and balance the tool. Always use the auxiliary handle for maximum control and ease of operation.

Tool Tips

This tool is intended for surface grinding, deburring and smoothing mainly mineral materials such as, for example, concrete, stone, marble and poured flooring **without** the use of water. It also can be used for removing protective coating and adhesive residue.

WARNING Do not use water or other cooling fluid with this tool for grinding.

Allow the tool to reach full speed before applying it to the workpiece surface.

Hold the tool with both hands and apply the diamond wheel flat on the work surface, advancing the tool moderately back and forth.

The dry diamond cup wheel included with the tool is intended for hard materials.

A dull dry diamond cup wheel can be sharpened with a abrasive material (e.g., chalky sand stone).

Visit boschtools.com for full line of available diamond cup wheels.

Accessories

WARNING If an extension cord is necessary, a cord with adequate size conductors that is capable of carrying the current necessary for your tool must be used. This will prevent excessive voltage drop, loss of power or overheating. Grounded tools must use 3-wire extension cords that have 3-prong plugs and receptacles.

NOTE: The smaller the gauge number, the heavier the cord.

RECOMMENDED SIZES OF EXTENSION CORDS 120 VOLT ALTERNATING CURRENT TOOLS

Tool's Ampere Rating	Cord Size in A.W.G.				Wire Sizes in mm ²			
	Cord Length in Feet				Cord Length in Meters			
	25	50	100	150	15	30	60	120
3-6	18	16	16	14	0.75	0.75	1.5	2.5
6-8	18	16	14	12	0.75	1.0	2.5	4.0
8-10	18	16	14	12	0.75	1.0	2.5	4.0
10-12	16	16	14	12	1.0	2.5	4.0	—
12-16	14	12	—	—	—	—	—	—

- * Wheel guard
- * 2-piece Brush ring
- * Backing flange
- * Dry diamond cup wheel
- * Lock nut
- * Lock nut wrench*

- * Auxiliary handle
- * Carrying case
- ** Vacuum hose

(* = standard equipment)

(** = optional accessories)

Maintenance

Service

WARNING Preventive maintenance performed by unauthorized personnel may result in misplacing of internal wires and components which could cause serious hazard. We recommend that all tool service be performed by a Bosch Factory Service Center or Authorized Bosch Service Station.

REPLACING THE BRUSH RING

Press with a screwdriver into both openings of the guard (Fig. 4). You can then remove both parts of the brush ring from the guard.

To install new brush ring, carefully push both new parts into the appropriate brush ring guide. Pay attention that both pieces of the brush ring are fitted snugly into the guide.

TOOL LUBRICATION

Your Bosch tool has been properly lubricated and is ready to use. It is recommended that tools with gears be regreased with a special gear lubricant at every brush change.

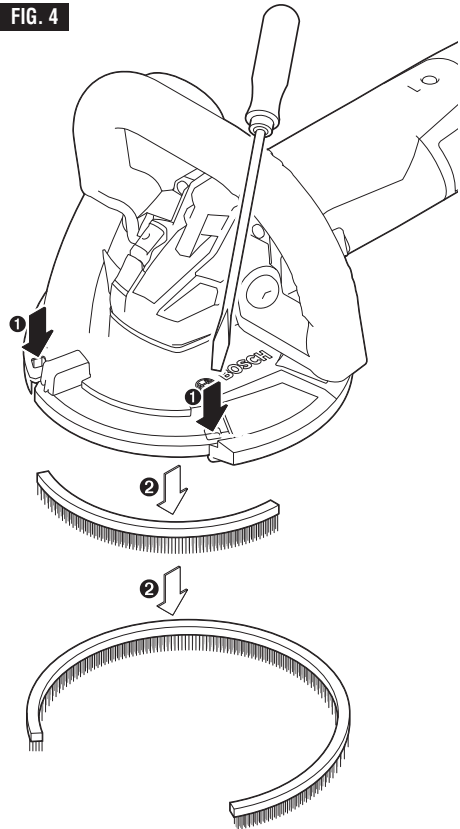
CARBON BRUSHES

The carbon brushes and commutator in your tool have been engineered for many hours of dependable service. To maintain peak efficiency of the motor, we recommend every two to six months the carbon brushes be examined. Only genuine Bosch replacement carbon brushes specially designed for your tool should be used.

BEARINGS

After about 300-400 hours of operation, or at every second carbon brush change, the bearings should be replaced at Bosch Factory Service Center or Authorized Bosch Service Station. Bearings which become noisy (due to heavy load or very abrasive material cutting) should be replaced at once to avoid overheating or motor failure.

FIG. 4



Cleaning

WARNING To avoid accidents always disconnect the tool from the power supply before cleaning or performing any maintenance. The tool may be cleaned most effectively with compressed dry air. **Always wear safety goggles when cleaning tools with compressed air.**

Ventilation openings and switch levers must be kept clean and free of foreign matter. Do not attempt to clean by inserting pointed objects through openings.

CAUTION Certain cleaning agents and solvents damage plastic parts. Some of these are: gasoline, carbon tetrachloride, chlorinated cleaning solvents, ammonia and household detergents that contain ammonia.



Avertissements généraux concernant la sécurité des outils électroportatifs



AVERTISSEMENT Veuillez lire tous les avertissements et toutes les consignes de sécurité. Si l'on n'observe pas ces avertissements et ces consignes de sécurité, il existe un risque de choc électrique, d'incendie et/ou de blessures corporelles graves.

CONSERVEZ TOUS LES AVERTISSEMENTS ET TOUTES LES CONSIGNES DE SÉCURITÉ POUR RÉFÉRENCE FUTURE.

Dans tous les avertissements, le terme « outil électroportatif » se rapporte à des outils branchés sur le secteur (avec fil) ou à des outils alimentés par piles (sans fil).

Sécurité du lieu de travail

Maintenez le lieu de travail propre et bien éclairé. Les risques d'accident sont plus élevés quand on travaille dans un endroit encombré ou sombre.

N'utilisez pas d'outils électroportatifs dans des atmosphères explosives, comme par exemple en présence de gaz, de poussières ou de liquides inflammables. Les outils électroportatifs produisent des étincelles qui risquent d'enflammer les poussières ou les vapeurs.

Éloignez les enfants et les visiteurs quand vous vous servez d'un outil électroportatif. Vous risquez une perte de contrôle si on vous distrait.

Sécurité électrique

Les fiches des outils électroportatifs doivent correspondre à la prise. Il ne faut absolument jamais modifier la fiche. N'utilisez pas d'adaptateur de prise avec des outils électroportatifs munis d'une fiche de terre. Le risque de choc électrique est moindre si on utilise une fiche non modifiée sur une prise qui lui correspond.

Évitez tout contact du corps avec des surfaces reliées à la terre tels que tuyaux, radiateurs, gazinières ou réfrigérateurs. Le risque de choc électrique augmente si votre corps est relié à la terre.

N'exposez pas les outils électroportatifs à la pluie ou à l'humidité. Si de l'eau pénètre dans un outil électroportatif, le risque de choc électrique augmente.

Ne maltraitez pas le cordon. Ne vous en servez jamais pour transporter l'outil électroportatif, pour le tirer ou pour le débrancher. Éloignez le cordon de la chaleur, des huiles, des arêtes coupantes ou des pièces mobiles. Les cordons abîmés ou emmêlés augmentent les risques de choc électrique.

Si vous utilisez un outil électroportatif à l'extérieur, employez une rallonge conçue pour l'extérieur. Ces rallonges sont faites pour l'extérieur et réduisent le risque de choc électrique.

S'il est absolument nécessaire d'utiliser l'outil électroportatif dans un endroit humide, utilisez une alimentation protégée par un disjoncteur de fuite de terre (GFCI). L'utilisation d'un disjoncteur GFCI réduit les risques de choc électrique.

Sécurité personnelle

Restez concentré, faites attention à ce que vous faites, et servez-vous de votre bon sens lorsque vous utilisez un outil électroportatif. N'employez pas d'outils électroportatifs

quand vous êtes fatigué ou sous l'emprise de drogues, d'alcool ou de médicaments. Quand on utilise des outils électroportatifs, il suffit d'un moment d'inattention pour causer des blessures corporelles graves.

Utilisez des équipements de sécurité personnelle. Portez toujours une protection oculaire. Le port d'équipements de sécurité tels que des masques antipoussières, des chaussures de sécurité antidérapantes, des casques de chantier et des protecteurs d'oreilles dans des conditions appropriées réduira le risque de blessure corporelle.

Évitez les démarrages intempestifs. Assurez-vous que l'interrupteur est dans la position arrêt (Off) avant de brancher l'outil dans une prise de courant et/ou un bloc-piles, de le ramasser ou de le transporter. Le transport d'un outil électroportatif avec le doigt sur la gâchette ou le branchement de cet outil quand l'interrupteur est en position de marche (ON) est une invite aux accidents.

Enlevez toutes les clés de réglage avant de mettre l'outil électroportatif en marche. Si on laisse une clé sur une pièce tournante de l'outil électroportatif, il y a risque de blessure corporelle.

Ne vous penchez pas. Conservez toujours une bonne assise et un bon équilibre. Ceci vous permettra de mieux maîtriser l'outil électroportatif dans des situations inattendues.

Habillez-vous de manière appropriée. Ne portez pas de vêtements amples ou de bijoux. Attachez les cheveux longs. N'approchez pas les cheveux, les vêtements ou les gants des pièces en mouvement. Les vêtements amples, les bijoux ou les cheveux longs risquent d'être happés par les pièces en mouvement.

Si l'outil est muni de dispositifs permettant le raccordement d'un système d'aspiration et de collecte des poussières, assurez-vous que ces dispositifs sont raccordés et utilisés correctement. L'utilisation d'un dépoussiéreur peut réduire les dangers associés à l'accumulation de poussière.

Utilisation et entretien des outils électroportatifs

Ne forcez pas sur l'outil électroportatif. Utilisez l'outil électroportatif qui convient à la tâche à effectuer. L'outil qui convient à la tâche fait un meilleur travail et est plus sûr à la vitesse pour lequel il a été conçu.

Ne vous servez pas de l'outil électroportatif si son interrupteur ne parvient pas à le mettre en marche ou à l'arrêter. Tout outil électroportatif qui ne peut pas être commandé par son interrupteur est dangereux et doit être réparé.

Débranchez la fiche de la prise ou enlevez le bloc-pile de





l'outil électroportatif avant tout réglage, changement d'accessoires ou avant de ranger l'outil électroportatif. De telles mesures de sécurité préventive réduisent le risque de démarrage intempestif de l'outil électroportatif.

Rangez les outils électroportatifs dont vous ne vous servez pas hors de portée des enfants et ne permettez pas à des personnes qui ne connaissent pas l'outil électroportatif ou qui ignorent ces consignes de s'en servir. Les outils électroportatifs sont dangereux dans les mains d'utilisateurs inexpérimentés.

Entretenez les outils électroportatifs. Vérifiez que les pièces mobiles sont alignées correctement et ne coïncent pas. Vérifiez qu'il n'y a pas de pièces cassées ou d'autre circonstance qui risquent d'affecter le fonctionnement de l'outil électroportatif. Si l'outil est abîmé, faites-le réparer avant de l'utiliser. De nombreux accidents sont causés par des outils électroportatifs mal entretenus.

Maintenez les outils coupants affûtés et propres. Les outils coupants entretenus correctement et dotés de bords tranchants affûtés sont moins susceptibles de coincer et sont plus faciles à maîtriser.

Utilisez l'outil électroportatif, les accessoires et les embouts d'outil, etc. conformément à ces instructions, en tenant compte des conditions de travail et des travaux à réaliser. L'emploi d'outils électroportatifs pour des tâches différentes de celles pour lesquelles ils ont été prévus peut résulter en une situation dangereuse.

Entretien

Faites réparer votre outil électroportatif par un agent de service qualifié n'utilisant que des pièces de rechange identiques. Ceci assure que la sécurité de l'outil électroportatif est préservée.

Avertissements spécifiques à la sécurité des outils électroportatifs

Cet outil électroportatif est conçu pour une utilisation comme rectifieuse de surface en béton. Veuillez lire toute la documentation relative à la sécurité qui a été fournie avec cet outil électroportatif, notamment, les avertissements, les consignes, les illustrations et les spécifications. Si l'on n'observe pas toutes les consignes indiquées ci-dessous, il existe un risque de choc électrique, d'incendie et/ou de blessures corporelles graves.

Il n'est pas recommandé d'utiliser cet outil électroportatif pour des opérations telles que la rectification du type 27, le ponçage, le brossage métallique, le polissage ou le tronçonnage. L'usage de l'outil au cours de travaux pour lesquels il n'a pas été conçu risque de présenter un danger et de causer des blessures corporelles.

N'utilisez pas d'accessoires qui n'ont pas été spécifiquement conçus et recommandés par le fabricant de l'outil. Le simple fait qu'un accessoire puisse être attaché à votre outil électroportatif ne garantit pas un fonctionnement sans danger.

La vitesse nominale de l'accessoire doit être au moins égale à la vitesse maximum indiquée sur l'outil électroportatif. Les accessoires que l'on fait tourner à une vitesse supérieure à leur VITESSE NOMINALE peuvent se casser et voler en éclats.

Le diamètre externe et l'épaisseur de votre accessoire doivent être dans les limites de capacité de votre outil électroportatif. Des accessoires de la mauvaise taille ne peuvent pas être adéquatement protégés ou contrôlés.

Le montage fileté des accessoires doit correspondre au filet de la broche de la meuleuse. Pour les accessoires montés à l'aide de brides de fixation, le trou de l'arbre de l'accessoire doit correspondre au diamètre de la bride de fixation qui doit être introduite dans celui-ci. Les accessoires qui ne correspondent pas au petit matériel de montage de l'outil électrique fonctionneront de manière déséquilibrée, vibreront de façon excessive et risquent de causer une perte de contrôle de l'outil.

N'utilisez pas d'accessoires endommagés. Inspectez vos

accessoires avant chaque utilisation : vérifiez par exemple que votre meule abrasive n'est ni fêlée, ni ébréchée, que votre disque d'appui n'est ni fêlé, ni déchiré, ni trop usé et que votre brosse métallique ne contient pas de fils cassés ou détachés. Si vous laissez tomber l'outil ou l'accessoire, vérifiez que ce dernier n'est pas endommagé ou remplacez-le par un accessoire en bon état. Après l'inspection et l'installation d'un accessoire, tenez-vous à distance du plan de l'accessoire en mouvement et demandez à toute personne présente de faire de même, et faites fonctionner l'outil à sa vitesse à vide maximale pendant une minute. Si un accessoire est endommagé, il se cassera habituellement en plusieurs morceaux pendant cette période de test.

Portez des équipements de protection personnelle. Suivant le travail effectué, portez un masque de protection, des lunettes à coques ou des lunettes de sécurité. S'il y a lieu, portez un masque antipoussières, des dispositifs de protection de l'ouïe, des gants et un tablier d'atelier capable d'arrêter des petits fragments abrasifs ou des fragments de la pièce. Les dispositifs de protection des yeux doivent pouvoir arrêter des débris volants produits par diverses opérations. Le masque antipoussières ou le respirateur doit être capable de filtrer des particules générées par votre travail. Une exposition prolongée à un bruit de haute intensité peut entraîner une perte de l'ouïe.

Gardez toute personne présente à une distance sûre de l'aire de travail. Toute personne qui entre dans l'aire de travail doit porter des équipements de protection personnelle. Des fragments d'une pièce ou d'un accessoire peuvent être projetés et causer des blessures au-delà de l'aire d'opération immédiate.

Tenez l'outil électroportatif exclusivement au niveau de ses surfaces de préhension isolées quand vous réalisez une opération au cours de laquelle l'accessoire de coupe risque d'entrer en contact avec des fils électriques dissimulés ou avec son propre cordon d'alimentation. Quand un accessoire de coupe entre en contact avec un fil « sous tension », cela peut mettre des parties métalliques exposées de l'outil





électroportatif « sous tension » et causer un choc électrique à l'utilisateur.

Positionnez le cordon hors de la trajectoire de l'accessoire en mouvement. Si vous perdez contrôle de l'outil, le cordon d'alimentation risque d'être coupé ou de s'accrocher et votre main ou votre bras risque d'être tiré jusqu'à ce qu'il entre en contact avec l'accessoire en mouvement.

Ne posez jamais l'outil électroportatif tant que l'accessoire n'a pas complètement cessé de tourner. L'accessoire en mouvement risque d'accrocher la surface sur laquelle il est posé et de vous faire perdre contrôle de l'outil.

Ne laissez pas l'outil électroportatif en marche quand vous le portez sur le côté. Un contact accidentel avec l'accessoire en mouvement risquerait d'accrocher vos vêtements et d'attirer l'accessoire vers votre corps.

Nettoyez régulièrement les prises d'air de l'outil électroportatif. Le ventilateur du moteur attirera de la poussière à l'intérieur du boîtier de l'outil et une accumulation excessive de poudre métallique risque de causer des dangers électriques.

Ne faites pas fonctionner l'outil électroportatif à proximité de matériaux inflammables. Des étincelles pourraient enflammer ces matériaux.

N'utilisez pas d'accessoires qui exigent des liquides de refroidissement. L'utilisation d'eau ou d'autres liquides de refroidissement peut entraîner une électrocution ou un choc électrique.

Autres consignes de sécurité pour toutes les opérations

Avertissements sur les rebonds et effets associés

L'effet de rebond est une réaction soudaine au pincement ou à l'accrochage d'une meule, d'un disque d'appui, d'une brosse ou de tout autre accessoire pivotant. Un tel pincement ou accrochage fait rapidement caler l'accessoire en mouvement, ce qui force l'outil électroportatif hors de contrôle à aller dans la direction opposée à celle de la rotation de l'accessoire à l'emplacement du blocage.

Par exemple, si une meule abrasive est accrochée ou pincée par la pièce, le bord de la meule à l'emplacement du pincage peut creuser la surface du matériau et forcer la meule à se « hisser » sur la pièce ou à être éjectée. La meule peut alors sauter soit en direction de l'utilisateur, soit dans la direction opposée, en fonction de la direction du mouvement de la meule à l'emplacement du pincement. Les meules abrasives peuvent également se briser dans de telles conditions.

Les rebonds résultent d'une mauvaise utilisation de l'outil électroportatif et/ou de procédures ou de conditions d'utilisation incorrectes, et ils peuvent être évités en prenant les précautions nécessaires indiquées ci-dessous :

Maintenez une prise ferme sur l'outil électroportatif et positionnez votre bras et le reste de votre corps de façon à vous permettre de résister aux forces de rebond. Utilisez toujours la poignée auxiliaire, quand elle vous a été fournie, pour un contrôle maximum du rebond ou de la réaction de couple qui se produit pendant la mise en marche de l'outil. L'utilisateur peut contrôler les réactions de couple ou les forces

de rebond en prenant les précautions nécessaires.

Ne placez jamais votre main à proximité de l'accessoire en mouvement. L'accessoire risquerait de rebondir sur votre main.

Ne vous placez jamais dans la zone où l'outil électroportatif se dirigerait si un rebond se produisait. L'effet de rebond projetterait l'outil dans la direction opposée à celle du mouvement de la meule à l'emplacement de l'accrochage.

Faites particulièrement attention quand vous travaillez des coins ou des arêtes tranchantes, etc. Évitez de faire rebondir ou d'accrocher l'accessoire. Les coins, les arêtes tranchantes et les rebondissements ont tendance à faire accrocher l'accessoire en mouvement et à entraîner une perte de contrôle ou un rebond.

Ne fixez pas une lame à sculpter le bois de chaîne coupante ou une lame de scie dentée sur l'outil. De telles lames causent fréquemment des rebonds et des pertes de contrôle.

Avertissements concernant la sécurité pour les opérations de meulage et de tronçonnage abrasif :

Utilisez seulement des types de meules qui sont recommandés pour votre outil électroportatif et le protège-meule qui a été conçu spécifiquement pour la meule sélectionnée. Les meules pour lesquelles l'outil électroportatif n'a pas été conçu ne peuvent pas être protégées de façon adéquate et sont donc dangereuses.

La surface de meulage des meules enfoncées au centre doit être montée en dessous du plan de la bordure de protection. Une meule montée de façon incorrecte qui dépasserait à travers la bordure de protection ne pourra pas être protégée adéquatement.

Le protège-meule doit être fixé solidement sur l'outil électroportatif et être positionné pour assurer le maximum de sécurité de façon que seulement la plus petite partie possible de la meule soit exposée vers l'opérateur. Le protège-meule contribue à protéger l'opérateur contre la projection de fragments de meule en cas de bris et contre tout risque de contact accidentel avec la meule.

Les meules ne doivent être utilisées que pour les applications recommandées. Par exemple : ne meulez pas avec le côté d'une meule à tronçonner. Comme les meules abrasives à tronçonner sont conçues pour un meulage périphérique, les forces latérales appliquées sur ce type de meules pourraient entraîner leur éclatement.

Utilisez toujours des flasques de meules en bon état, et de la taille et de la forme correctes pour la meule que vous avez sélectionnée. Les flasques de meule appropriées supportent la meule et réduisent ainsi le risque de cassure de la meule. Les flasques conçues pour des meules à tronçonner peuvent être différentes des flasques conçues pour les meules à affûter.

N'utilisez pas de meules usées provenant d'outils électroportatifs de taille supérieure. Une meule conçue pour un outil électroportatif de grande taille n'est pas appropriée pour la vitesse supérieure d'un outil plus petit et risquerait d'éclater.





Consignes de sécurité additionnelles pour la rectifieuse de béton

Utilisez toujours un protecteur approprié avec la meule boisseau diamantée pour travail à sec. Un protecteur protège l'opérateur contre les fragments de meules brisées et la boue de meule.

N'utilisez que des meules boisseaux diamantées pour travail à sec avec la rectifieuse. La rectifieuse n'est pas prévue pour l'utilisation avec des meules de rectification, de coupe ou boisseaux ordinaires ou avec des brosses métalliques. L'utilisation d'autres accessoires peut provoquer des blessures.

N'utilisez pas de meule boisseau diamantée pour travail à sec de dimensions supérieures à la taille maximale recommandée pour votre outil. Le protecteur d'une rectifieuse est limité à la taille nominale de la machine, l'utilisation d'accessoires de meulage plus grands ou non autorisés peut entraîner des blessures.

Les accessoires doivent être prévus pour au moins la vitesse recommandée sur l'étiquette d'avertissement de l'outil. Les meules boisseau diamantée pour travail à sec et les autres accessoires fonctionnant à une vitesse supérieure à la vitesse nominale peuvent se détacher et provoquer des

blessures. La meule doit avoir une vitesse maximale de fonctionnement sûr supérieure au « régime sans charge » indiqué sur la plaque signalétique de l'outil.

Utilisez toujours la poignée auxiliaire pour un contrôle maximal sur le rebond ou la réaction de couple. L'utilisation de la rectifieuse sans poignée latérale peut provoquer la perte de contrôle et résulter en des blessures graves.

Avant d'utiliser la rectifieuse ou de poser une nouvelle meule, inspectez la surface de la meule boisseau diamantée pour travail à sec pour y relever d'éventuels éclats, fissures ou segments manquants. Retirez immédiatement les meules endommagées ou usées. Faites tourner l'outil sans charge pendant une minute, en tenant l'outil à l'écart des personnes. Les meules défectueuses se brisent normalement pendant cette période.

Lors de la dépose de la meule boisseau diamantée pour travail à sec de l'outil, évitez de le toucher avec la peau et utilisez des gants de protection lorsque vous saisissez l'accessoire. Les accessoires peuvent être chauds après une utilisation prolongée.

Avertissements supplémentaires concernant la sécurité

L'emploi d'un GFCI et de dispositifs de protection personnelle tels que gants et chaussures d'électricien en caoutchouc améliorent votre sécurité personnelle.

N'utilisez pas un outil conçu uniquement pour le C.A. sur une alimentation en C.C. Même si l'outil semble fonctionner, les composants électriques d'un outil prévu pour le C.A. tomberont probablement en panne et risquent de créer un danger pour l'utilisateur.

Maintenez les poignées sèches et exemptes d'huile et de graisse. On ne pas maîtriser un outil électroporatif en toute sécurité quand on a les mains glissantes.

Utilisez des brides ou d'autres moyens pratiques de brider ou de supporter la pièce sur une plate-forme stable. Tenir la pièce à la main ou contre le corps est instable et risque de résulter en une perte de contrôle.

Créez un agenda d'entretien périodique pour votre outil. Quand vous nettoyez un outil, faites attention de n'en démonter aucune pièce car il est toujours possible de mal remonter ou de pincer les fils internes ou de remonter incorrectement les ressorts de rappel des capots de protection. Certains agents de nettoyage tels que l'essence, le tétrachlorure de carbone, l'ammoniaque, etc. risquent d'abîmer les plastiques.

Protégez-vous les oreilles. Une exposition prolongée à du bruit de haute intensité peut causer une perte auditive.

Utilisez des gants épais et rembourrés, et limitez la durée de l'exposition en faisant fréquemment de pauses. Les vibrations causées par l'utilisation d'outils électromécaniques peuvent endommager vos mains et vos bras.

Cet outil doit être utilisé avec une protection respiratoire suffisante pour bloquer les poussières, y compris la silice

provenant de la coupe du béton. Masques homologués N-95 au minimum ou protection respiratoire complète pour l'opérateur et les autres personnes se trouvant dans la zone de travail.

Le dépoussiérage est requis avec un aspirateur ou un autre système approprié de ramassage de la poussière en liaison avec des applications sur du béton/de la maçonnerie.

N'utilisez pas d'aspirateur ou d'autre système de ramassage de la poussière lorsque vous coupez du métal. Des étincelles provenant de la coupe du métal pourraient causer l'inflammation des poussières ainsi ramassées.

Risque de blessure pour l'utilisateur. Le cordon d'alimentation électrique ne doit être réparé que par un Centre de service usine de Bosch ou par une Station service agréée de Bosch.

▲ AVERTISSEMENT Les travaux à la machine tel que ponçage, sciage,

meulage, perçage et autres travaux du bâtiment peuvent créer des poussières contenant des produits chimiques qui sont des causes reconnues de cancer, de malformation congénitale ou d'autres problèmes reproductifs. Ces produits chimiques sont, par exemple :




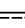








- Le plomb provenant des peintures à base de plomb,
- Les cristaux de silices provenant des briques et du ciment et d'autres produits de maçonnerie, et
- L'arsenic et le chrome provenant des bois traités chimiquement.

Le niveau de risque dû à cette exposition varie avec la fréquence de ces types de travaux. Pour réduire l'exposition à ces produits chimiques, il faut travailler dans un lieu bien ventilé et porter un équipement de sécurité approprié tel que certains masques à poussière conçus spécialement pour filtrer les particules microscopiques.



Symboles

IMPORTANT : Certains des symboles suivants peuvent être utilisés sur votre outil. Veuillez les étudier et apprendre leur signification. Une interprétation appropriée de ces symboles vous permettra d'utiliser l'outil de façon plus efficace et plus sûre.

Symbole	Nom	Désignation/Explication
V	Volts	Tension (potentielle)
A	Ampères	Courant
Hz	Hertz	Fréquence (cycles par seconde)
W	Watt	Puissance
kg	Kilogrammes	Poids
min	Minutes	Temps
s	Secondes	Temps
∅	Diamètre	Taille des mèches de perceuse, meules, etc.
n_0	Vitesse à vide	Vitesse de rotation, à vide
n	Vitesse nominale	Vitesse maximum pouvant être atteinte
.../min	Tours ou mouvement alternatif par minute	Tours, coups, vitesse en surface, orbites, etc., par minute
0	Position d'arrêt	Vitesse zéro, couple zéro ...
1, 2, 3, ... I, II, III, ...	Réglages du sélecteur	Réglages de vitesse, de couple ou de position. Un nombre plus élevé signifie une vitesse plus grande
	Sélecteur variable à l'infini avec arrêt	La vitesse augmente depuis le réglage 0
	Flèche	Action dans la direction de la flèche
	Courant alternatif	Type ou caractéristique du courant
	Courant continu	Type ou caractéristique du courant
	Courant alternatif ou continu	Type ou caractéristique du courant
	Construction classe II	Désigne des outils construits avec double isolation
	Borne de terre	Borne de mise à la terre
	Symbole d'avertissement	Alerte l'utilisateur aux messages d'avertissement.
	Sceau Li-ion RBRC	Désigne le programme de recyclage des piles Li-ion.
	Sceau Ni-Cad RBRC	Désigne le programme de recyclage des piles Ni-Cad.
	Symbole de lecture du mode d'emploi	Alerte l'utilisateur pour lire le mode d'emploi
	Symbole de port de lunettes de sécurité	Alerte l'utilisateur pour porter des lunettes de sécurité

Symboles (suite)

IMPORTANT : Certains des symboles suivants peuvent être utilisés sur votre outil. Veuillez les étudier et apprendre leur signification. Une interprétation appropriée de ces symboles vous permettra d'utiliser l'outil de façon plus efficace et plus sûre.



Ce symbole signifie que cet outil est approuvé par Underwriters Laboratories.



Ce symbole indique que cet outil est reconnu par Underwriters Laboratories.



Ce symbole signifie que cet outil est approuvé par Underwriters Laboratories selon les normes des États-Unis et du Canada.



Ce symbole signifie que cet outil est approuvé par l'Association canadienne de normalisation.



Ce symbole signifie que cet outil est approuvé par l'Association canadienne de normalisation selon les normes des États-Unis et du Canada.



Ce symbole signifie que cet outil est approuvé par Intertek Testing Services selon les normes des États-Unis et du Canada.



Ce symbole signifie que cet outil se conforme aux normes mexicaines NOM.

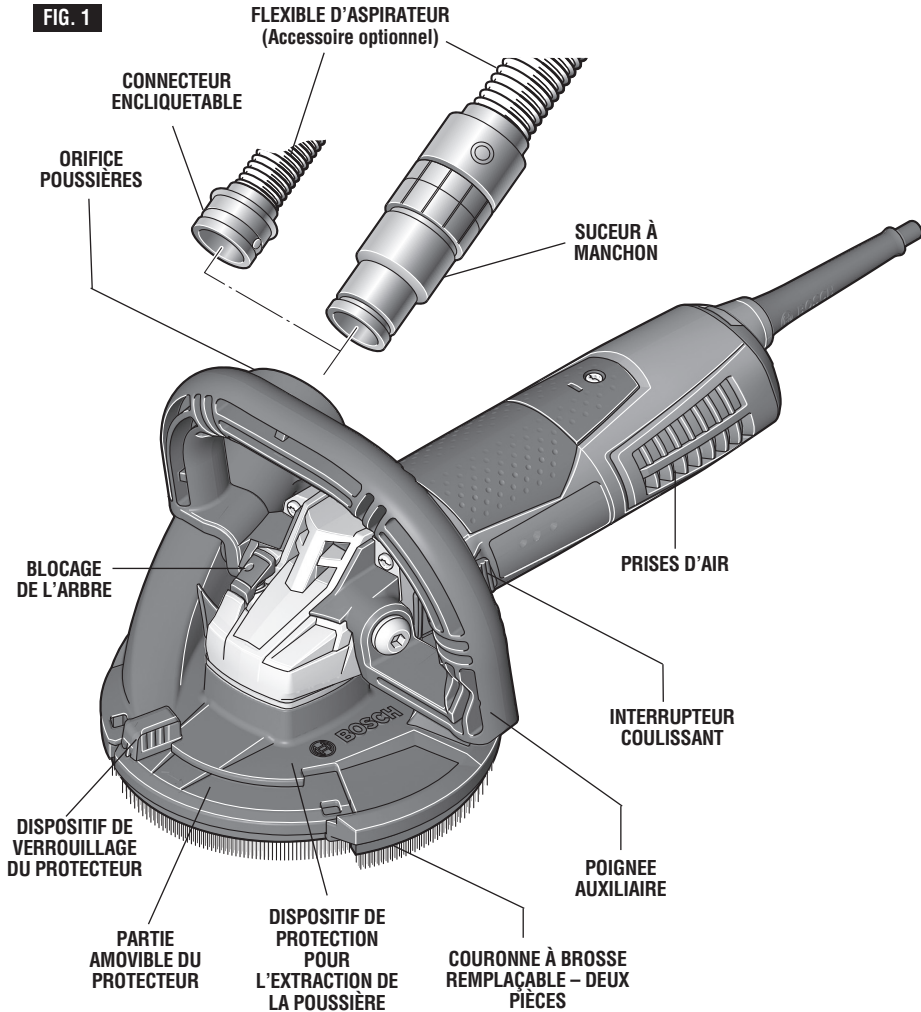
Description fonctionnelle et spécifications

AVERTISSEMENT

Débranchez la fiche de la prise de courant avant d'effectuer quelque assemblage ou réglage que ce soit ou de changer les accessoires. Ces mesures de sécurité préventive réduisent le risque d'une mise en marche accidentelle de l'outil.

Rectifieuse de béton

FIG. 1



Numéro de modèle **CSG15**

Diamètre de la meule boisseau diamantée pour travail à sec 5 po (125 mm)

REMARQUE : Pour spécifications de l'outil, reportez-vous à la plaque signalétique de votre outil.

Assemblage

DÉPOSE ET POSE DE MEULES BOISSEAU DIAMANTÉE POUR TRAVAIL A SEC

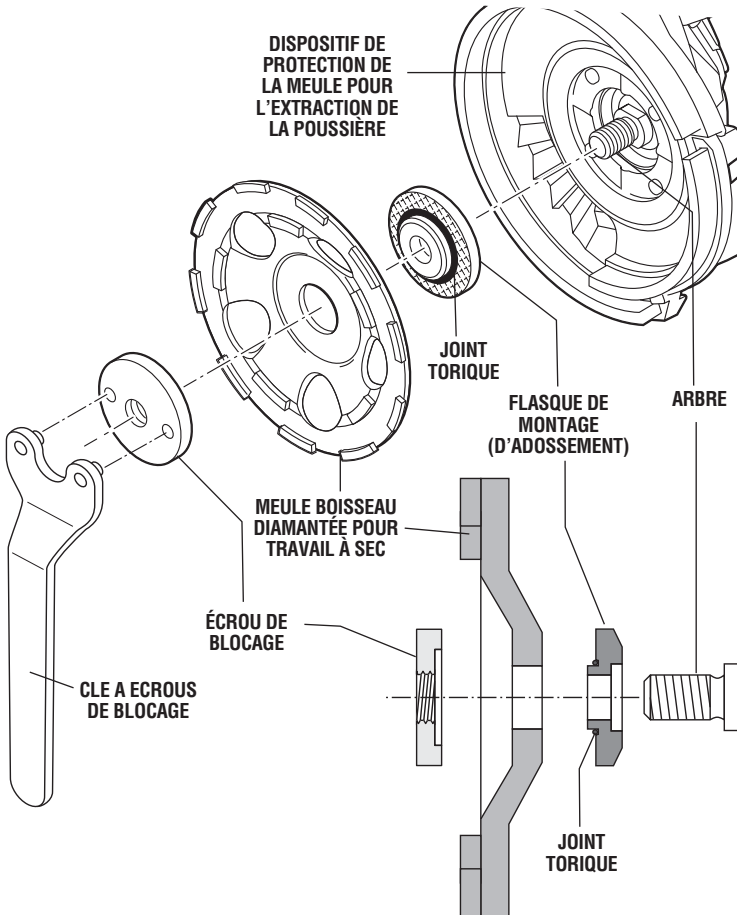
1. Appuyez sur le bouton du dispositif de blocage de l'arbre pour empêcher la meule de faire un mouvement de rotation.
2. Desserrez l'écrou de blocage avec la clé fournie et déposez l'écrou et la meule boisseau diamantée pour travail à sec (Fig. 2).
3. Nettoyez la flasque, l'arbre, l'écrou de blocage et le protecteur avec l'insert de brosse.
4. Asegúrese de que pestaña de montaje (o de soporte) esté montada en el husillo de la amoladora de manera que el collarín centrador esté orientado alejándose de la herramienta. Nota: Las "superficies planas" de la pestaña de montaje deben acoplarse sobre las "superficies planas" del husillo de la

amoladora para asegurar una instalación apropiada.

5. Hay un anillo tórico (de caucho) ajustado alrededor del collarín centrador de la pestaña de montaje. Si el anillo tórico falta o se daña de alguna manera (por ej., sufre cortes, abrasiones, etc.), dicho anillo está disponible como pieza de repuesto y se puede reemplazar. Visite Boschtools.com para obtener detalles.

6. Coloque la nueva rueda acopada de diamante de corte en seco sobre la pestaña de montaje. Presione el botón del cierre del husillo para fijar el husillo de la amoladora, enrosque la tuerca de fijación en el husillo y apriete firmemente dicha tuerca con la llave de tuerca su ministrada. Preste atención a que el collarín de la tuerca de fijación esté orientado de manera que se aleje de la herramienta. Vea la figura 2.

FIG. 2





Consignes de fonctionnement

INTERRUPTEUR A COULISSE AVEC BLOCAGE EN MARCHÉ

L'outil se met en marche à l'aide du bouton d'interrupteur situé sur le côté du carter du moteur. L'interrupteur peut être bloqué en position de marche, fonction commode pour les longues opérations de rectification.

Pour mettre l'outil en marche sans le verrouiller, glissez l'interrupteur vers l'avant en appuyant SEULEMENT sur la partie ARRIÈRE du bouton. Au relâchement, le bouton retournera à la position d'arrêt.

POUR BLOQUER L'INTERRUPTEUR EN MARCHÉ, glissez l'interrupteur vers l'avant et appuyez sur la partie AVANT du bouton.

POUR DÉBLOQUER L'INTERRUPTEUR, appuyez simplement sur la partie ARRIÈRE du bouton et relâchez-le aussitôt. Étant donné que l'interrupteur est à ressort, il reviendra automatiquement.

AVERTISSEMENT Tenez l'outil à deux mains à la mise en marche car le couple du moteur peut transmettre une certaine torsion.

Mettez l'outil en marche avant de le poser sur la pièce. De même, soulevez-le avant d'en relâcher l'interrupteur. Pour prolonger la durée de l'interrupteur, évitez de le mettre sous tension et hors tension pendant que l'outil est à l'oeuvre.

PROTECTION CONTRE LE DÉMARRAGE AUTOMATIQUE

La fonctionnalité de protection contre le démarrage automatique empêche l'outil de redémarrer de manière non contrôlée après une coupure de courant. Pour redémarrer l'outil, appuyez sur l'interrupteur marche/arrêt pour le mettre en position arrêt (off), puis remettez-le en position marche (on).

Remarque : Contrôlez régulièrement la fonctionnalité de protection contre le démarrage automatique en débranchant l'outil de la prise de courant électrique pendant qu'il fonctionne, puis en le rebranchant dans la prise de courant électrique.

CIRCUIT DE RETOUR ÉLECTRIQUE

Le système de retour électrique permet de maintenir la vitesse sans charge pratiquement constante entre les conditions sans charge et avec charge afin d'assurer une performance de travail uniforme autant que possible. Le système prévoit également un « démarrage en douceur », qui réduit la pression exercée lors des applications à couple élevé.

PROTECTION CONTRE LA SURCHARGE

Votre outil est équipé d'une protection contre la surcharge afin de protéger le moteur. Si l'outil s'arrête durant le fonctionnement, METTEZ L'INTERRUPTEUR À

L'ARRÊT IMMÉDIATEMENT et laissez le moteur refroidir pendant environ 30 secondes en fonctionnant à vide. Si la protection contre la surcharge arrête l'outil à plusieurs reprises, une force excessive cause la surcharge de l'outil. N'exercez pas une pression si forte et laissez l'outil faire le travail.

MEULAGE DE SURFACE

Pour le meulage de surface proche des bords / parois, faites coulisser le dispositif de verrouillage sur la sortie poussière vers l'avant et faites balancer la pièce amovible du protecteur sur le côté (voir figure 3). Bloquez le dispositif de verrouillage. Pour revenir au meulage de surface loin des bords, débloquez le dispositif de verrouillage et faites coulisser la partie amovible du protecteur jusqu'à sa position initiale.

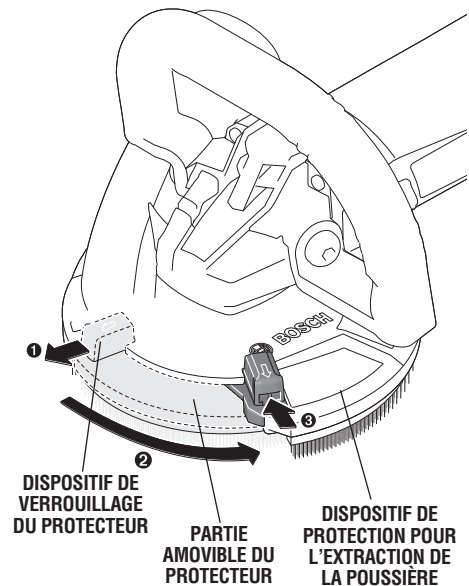
EXTRACTION DE LA POUSSIÈRE

Cet outil doit être utilisé uniquement avec un système d'extraction de la poussière. Par ailleurs, vous devez toujours porter un masque anti-poussière approuvé.

Votre outil est équipé d'un orifice de dépoussiérage. Pour utiliser cette fonctionnalité, insérez le suceur d'un tuyau d'aspirateur (accessoire) dans l'orifice de dépoussiérage de l'outil, puis connectez l'extrémité opposée du tuyau à un aspirateur.

Le tuyau d'aspirateur Bosch est fourni avec un suceur à manchon attaché à un connecteur encliquetable (Fig. 1). Le suceur à manchon est le raccord le plus

FIG. 3



facile et rapide du suceur à l'accessoire. Le connecteur encliquetable fournit une connexion sécurisée. Pour utiliser le connecteur encliquetable, retirez le suceur en caoutchouc du tuyau d'aspirateur. Enfoncez le connecteur encliquetable dans l'orifice de dépoussiérage jusqu'à ce que vous entendiez un déclic.

Des adaptateurs d'orifices de dépoussiérage sont également disponibles pour connecter l'accessoire d'extraction pour la poussière Bosch à n'importe quel

tuyau d'aspirateur de taille standard. Voir Boschtools.com pour plus de détails.

Vérifiez toujours que l'aspirateur que vous utilisez est conçu pour l'extraction de poussière de maçonnerie. Bosch dispose d'une gamme d'aspirateurs adaptés.

POIGNÉE AUXILIAIRE

La poignée auxiliaire, utilisée pour guider et équilibrer l'outil.

Conseils pratiques

Cet outil est conçu pour le meulage, l'ébavurage et le ponçage de matériaux principalement minéraux tels que, notamment, le béton, la pierre, le marbre et les dalles coulées, **sans** utilisation d'eau. Il peut également être utilisé pour l'élimination de revêtements de protection et de résidus adhésifs.

AVERTISSEMENT N'utilisez pas d'eau ou d'autre liquide de refroidissement pendant le meulage avec cet outil.

Laissez l'outil atteindre sa pleine vitesse avant de l'appliquer sur la surface à travailler.

Maintenez l'outil avec les deux mains et appliquez la

meule diamantée à plat sur la surface à travailler, en faisant aller et venir l'outil modérément.

La meule boisseau diamantée pour travail à sec, incluse avec l'outil, est prévue pour les matériaux durs.

La meule boisseau diamantée pour travail à sec peut être affûtée avec un matériau abrasif (par exemple, du grès calcaire).

Quatre types différents de meules diamantées sont disponibles comme accessoires facultatifs.

Rendez-vous sur boschtools.com pour connaître la gamme complète de meules boisseau diamantées.

Accessoires

AVERTISSEMENT Si un cordon de rallonge s'avère nécessaire, vous devez utiliser un cordon avec conducteurs de dimension adéquate pouvant porter le courant nécessaire à votre outil. Ceci préviendra une chute excessive de tension, une perte de courant ou une surchauffe. Les outils mis à la terre doivent utiliser des cordons de rallonge trifilaires pourvus de fiches à trois broches ainsi que des prises à trois broches.

REMARQUE : Plus le calibre est petit, plus le fil est gros.

DIMENSIONS DE RALLONGES RECOMMANDÉES OUTILS 120 VOLTS COURANT ALTERNATIF

Intensité nominale de l'outil	Calibre A.W.G.				Calibre en mm ²			
	Longueur en pieds				Longueur en mètres			
	25	50	100	150	15	30	60	120
3-6	18	16	16	14	0,75	0,75	1,5	2,5
6-8	18	16	14	12	0,75	1,0	2,5	4,0
8-10	18	16	14	12	0,75	1,0	2,5	4,0
10-12	16	16	14	12	1,0	2,5	4,0	—
12-16	14	12	—	—	—	—	—	—

- * Protecteur de meule
- * Couronne à brosse remplaçable – deux pièces
- * Flasque de montage (d'adossement)
- * Meule boisseau diamantée pour travail à sec
- * Écrou de blocage
- * Clé écrou de blocage

- * Poignée auxiliaire
- * Étui
- ** Flexible d'aspirateur

(* = équipement de série)

(** = accessoires optionnels)

Entretien

Service

AVERTISSEMENT Tout entretien préventif effectué par des personnels non autorisés peut résulter en mauvais placement de fils internes ou de pièces, ce qui peut présenter un danger grave. Nous vous conseillons de faire faire tout l'entretien par un centre de service d'usine Bosch ou une station service agréée Bosch.

REMPLACEMENT DE LA COURONNE À BROSSÉ

Appuyez à l'aide d'un tournevis dans les deux ouvertures du protecteur (Fig. 4). Vous pouvez ensuite retirer les deux parties de la couronne à brosse du protecteur.

Pour installer la nouvelle couronne à brosse, poussez délicatement les deux nouvelles parties dans le guide de la couronne à brosse prévu à cet effet. Vérifiez que les deux pièces de la couronne à brosse tiennent confortablement dans le guide.

LUBRIFICATION DE L'OUTIL

Votre outil Bosch a été lubrifié correctement en usine et il est prêt à l'utilisation. Nous vous conseillons de re-graisser les outils qui comportent des engrenages avec un lubrifiant à engrenages spécial à chaque fois que vous changez les balais.

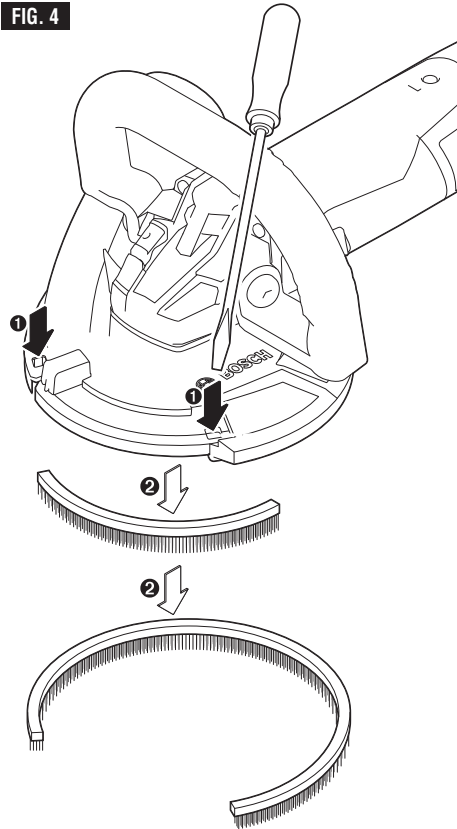
BROSSES CARBONE

Les brosses carbone et le commutateur de votre outil ont été préparés pendant de nombreuses heures afin d'assurer un fonctionnement sûr. Pour que l'efficacité du moteur demeure optimale, nous recommandons d'examiner les brosses carbone tous les deux à six mois. Vous devez utiliser uniquement les brosses carbone de rechange Bosch prévues spécifiquement pour votre outil.

PALIER

Après environ 300-400 heures de fonctionnement, ou à chaque fois que vous changez une brosse carbone, les paliers devront être remplacés au Centre de service après-vente usine ou à un centre de service après-vente agréé de Bosch. Si les paliers commencent à faire du bruit (à cause de surcharges importantes ou du toupillage de matériaux très abrasifs) il faut les faire remplacer immédiatement pour éviter la surchauffe ou une panne de moteur.

FIG. 4



Nettoyage

AVERTISSEMENT Pour éviter les accidents, il faut toujours débrancher l'outil avant de le nettoyer ou de l'entretenir. Le meilleur moyen de nettoyer l'outil est d'utiliser de l'air comprimé sec. Il faut toujours porter des lunettes de protection quand on utilise de l'air comprimé.

Les ouïes de ventilation et les leviers de l'interrupteur doivent rester propres et exempts de corps étrangers. Ne tenez pas de les nettoyer en enfonçant des objets pointus dans les orifices.

MISE EN GARDE Certains agents de nettoyages et certains dissolvants abîment les pièces en plastique. Parmi ceux-ci se trouvent: l'essence, le tétrachlorure de carbone, les dissolvants de nettoyage chlorés, l'ammoniaque ainsi que les détergents domestiques qui en contiennent.



Advertencias generales de seguridad para herramientas mecánicas



ADVERTENCIA

Lea todas las advertencias de seguridad y todas las instrucciones. Si no se siguen las advertencias e instrucciones, el resultado podría ser sacudidas eléctricas, incendio y/o lesiones graves.

GUARDE TODAS LAS ADVERTENCIAS E INSTRUCCIONES PARA REFERENCIA FUTURA

La expresión "herramienta mecánica" en todas las advertencias se refiere a su herramienta mecánica alimentada por la red eléctrica (herramienta alámbrica) o su herramienta mecánica alimentada por baterías (herramienta inalámbrica).

GUARDE ESTAS INSTRUCCIONES

Seguridad del área de trabajo

Mantenga el área de trabajo limpia y bien iluminada. Las áreas desordenadas u oscuras invitan a que se produzcan accidentes.

No utilice herramientas mecánicas en atmósferas explosivas, como por ejemplo en presencia de líquidos, gases o polvos inflamables. Las herramientas mecánicas generan chispas que pueden incendiar el polvo o los vapores.

Mantenga alejados a los niños y a las personas que estén presentes mientras esté utilizando una herramienta mecánica. Las distracciones pueden hacerle perder el control de la herramienta.

Seguridad eléctrica

Los enchufes de las herramientas mecánicas deben coincidir con el tomacorriente. No modifique nunca el enchufe de ningún modo. No use enchufes adaptadores con herramientas mecánicas conectadas a tierra (puestas a tierra). Los enchufes no modificados y los tomacorrientes coincidentes reducirán el riesgo de sacudidas eléctricas.

Evite el contacto del cuerpo con las superficies conectadas o puestas a tierra, tales como tuberías, radiadores, estufas y refrigeradores. Hay un aumento del riesgo de sacudidas eléctricas si el cuerpo del operador se conecta o pone a tierra.

No exponga las herramientas mecánicas a la lluvia o a condiciones mojadas. La entrada de agua en una herramienta mecánica aumentará el riesgo de que se produzcan sacudidas eléctricas.

No maltrate el cordón de energía. No use nunca el cordón para transportar la herramienta mecánica, tirar de ella o desenchufarla. Mantenga el cordón alejado del calor, el aceite, los bordes afilados o las piezas móviles. Los cordones dañados o enganchados aumentan el riesgo de que se produzcan sacudidas eléctricas.

Cuando utilice una herramienta mecánica en el exterior, use un cordón de extensión adecuado para uso a la intemperie. La utilización de un cordón adecuado para uso a la intemperie reduce el riesgo de que se produzcan sacudidas eléctricas.

Si es inevitable utilizar una herramienta mecánica en un lugar húmedo, utilice una fuente de energía protegida por un interruptor de circuito accionado por corriente de pérdida a tierra (GFCI). El uso de un GFCI reduce el riesgo de sacudidas eléctricas.

Seguridad personal

Manténgase alerta, fíjese en lo que está haciendo y use el sentido común cuando esté utilizando una herramienta

mecánica. No use una herramienta mecánica cuando esté cansado o bajo la influencia de drogas, alcohol o medicamentos. Un momento de distracción mientras esté utilizando herramientas mecánicas podría causar lesiones corporales graves.

Use equipo de protección personal. Use siempre protección de los ojos. El equipo de protección, como por ejemplo una máscara antipolvo, calzado de seguridad antiderrapante, casco o protección de oídos, utilizado para las condiciones apropiadas, reducirá las lesiones corporales.

Evite el arranque accidental. Asegúrese de que el interruptor esté en la posición de apagado antes de conectar la herramienta a la fuente de energía y / o al paquete de batería, levantar la herramienta o transportarla. Transportar herramientas mecánicas con un dedo en el interruptor o encender herramientas mecánicas que tengan el interruptor en la posición de encendido invita a que se produzcan accidentes.

Quite todas las llaves de ajuste o de tuerca antes de encender la herramienta mecánica. Una llave de tuerca o de ajuste que se deje colocada en una pieza giratoria de la herramienta mecánica podría causar lesiones corporales.

No intente alcanzar demasiado lejos. Mantenga un apoyo de los pies y un equilibrio apropiados en todo momento. Esto permite controlar mejor la herramienta mecánica en situaciones inesperadas.

Vístase adecuadamente. No use ropa holgada ni alhajas holgadas. Mantenga el pelo, la ropa y los guantes alejados de las piezas móviles. La ropa holgada, las alhajas holgadas o el pelo largo pueden quedar atrapados en las piezas móviles.

Si se proporcionan dispositivos para la conexión de instalaciones de extracción y recolección de polvo, asegúrese de que dichas instalaciones estén conectadas y se usen correctamente. El uso de dispositivos de recolección de polvo puede reducir los peligros relacionados con el polvo.

Uso y cuidado de las herramientas mecánicas

No fuerce la herramienta mecánica. Use la herramienta mecánica correcta para la aplicación que desee realizar. La herramienta mecánica correcta hará el trabajo mejor y con más seguridad a la capacidad nominal para la que fue diseñada.

No use la herramienta mecánica si el interruptor no la enciende y apaga. Toda herramienta mecánica que no se pueda controlar con el interruptor es peligrosa y debe ser reparada.

Desconecte el enchufe de la fuente de energía y/o el





paquete de batería de la herramienta mecánica antes de hacer cualquier ajuste, cambiar accesorios o almacenar herramientas mecánicas. Dichas medidas preventivas de seguridad reducen el riesgo de arrancar accidentalmente la herramienta mecánica.

Guarde las herramientas que no esté usando fuera del alcance de los niños y no deje que personas que no estén familiarizadas con la herramienta mecánica o con estas instrucciones utilicen la herramienta. Las herramientas mecánicas son peligrosas en manos de usuarios que no hayan recibido capacitación.

Mantenga las herramientas mecánicas. Compruebe si hay piezas móviles desalineadas o que se atoran, si hay piezas rotas y si existe cualquier otra situación que podría afectar el funcionamiento de la herramienta mecánica. Si la herramienta mecánica está dañada, haga que la reparen antes de usarla. Muchos accidentes son causados por herramientas mecánicas mantenidas deficientemente.

Mantenga las herramientas de corte afiladas y limpias. Es menos probable que las herramientas de corte mantenidas apropiadamente, con bordes de corte afilados, se atoren, y dichas herramientas son más fáciles de controlar.

Utilice la herramienta mecánica, los accesorios, las brocas de la herramienta, etc., de acuerdo con estas instrucciones, teniendo en cuenta las condiciones de trabajo y el trabajo que se vaya a realizar. El uso de la herramienta mecánica para operaciones distintas a aquéllas para las que fue diseñada podría causar una situación peligrosa.

Servicio de ajustes y reparaciones

Haga que su herramienta mecánica reciba servicio de un técnico de reparaciones calificado, utilizando únicamente piezas de repuesto idénticas. Esto asegurará que se mantenga la seguridad de la herramienta mecánica.

Advertencias de seguridad específicas para herramientas mecánicas

Esta herramienta mecánica está diseñada para funcionar como una amoladora para superficies de concreto. Lea todas las advertencias de seguridad, instrucciones, ilustraciones y especificaciones suministradas con esta herramienta mecánica. Si no se siguen todas las instrucciones que se indican a continuación, el resultado podría ser descargas eléctricas, incendio y/o lesiones graves.

No se recomienda realizar operaciones como amolado con discos tipo 27, lijado, cepillado con cepillo de alambre, pulido o recorte con esta herramienta mecánica. Las operaciones para las cuales la herramienta mecánica no fue diseñada pueden crear un peligro y causar lesiones corporales.

No utilice accesorios que no estén diseñados y recomendados específicamente por el fabricante de la herramienta. Sólo porque el accesorio se pueda instalar en su herramienta mecánica, eso no garantiza una operación segura.

La velocidad nominal del accesorio debe ser al menos igual a la velocidad marcada en la herramienta mecánica. Los accesorios que funcionen más rápidamente que su VELOCIDAD NOMINAL se pueden romper y salir despedidos.

El diámetro exterior y el grosor de su accesorio deben estar dentro de la capacidad nominal de su herramienta mecánica. Los accesorios de tamaño incorrecto no se pueden proteger ni controlar adecuadamente.

La montura roscada de los accesorios debe coincidir con la rosca del husillo de la amoladora. En el caso de accesorios montados por medio de pestañas, el agujero del accesorio para el eje portaherramienta debe encajar en el diámetro ubicador de la pestaña. Los accesorios que no coincidan con los herrajes de montaje de la herramienta mecánica funcionarán desequilibrados, vibrarán excesivamente y podrían causar pérdida de control.

No utilice un accesorio que esté dañado. Antes de cada uso, inspeccione el accesorio, como por ejemplo las ruedas abrasivas para comprobar si tienen picaduras y grietas, la zapata de soporte para comprobar si tiene

grietas, desgarraduras o desgaste excesivo, y el cepillo de alambre para comprobar si hay alambres flojos o agrietados. Si la herramienta mecánica o el accesorio se cae, realice una inspección para comprobar si se ha dañado o instale un accesorio que no esté dañado. Después de inspeccionar e instalar un accesorio, posicione usted y posicione a las personas que estén presentes alejados del plano del accesorio que gira y haga funcionar la herramienta mecánica a la máxima velocidad sin carga durante un minuto. Normalmente, los accesorios dañados se romperán en pedazos durante este tiempo de prueba.

Utilice equipo de protección personal. Dependiendo de la aplicación, use una careta, anteojos de seguridad o lentes de seguridad. Según sea apropiado, use una máscara antipolvo, protectores de la audición, guantes y un delantal de taller capaz de detener pequeños fragmentos de abrasivo o de la pieza de trabajo. La protección de los ojos debe ser capaz de detener los residuos que salgan despedidos al ser generados por diversas operaciones. La máscara antipolvo o el respirador debe ser capaz de filtrar las partículas generadas por la operación que usted realice. La exposición prolongada a ruido de alta intensidad puede causar pérdida de audición.

Mantenga a las personas presentes a una distancia segura del área de trabajo. Toda persona que entre al área de trabajo debe usar equipo de protección personal. Los fragmentos de la pieza de trabajo o de un accesorio roto pueden salir despedidos y causar lesiones más allá del área inmediata de operación.

Agarre la herramienta mecánica solamente por las superficies de agarre con aislamiento cuando realice una operación en la que el accesorio de corte pueda entrar en contacto con cables ocultos o su propio cordón de energía. Si un accesorio de corte entra en contacto con un cable "con corriente", eso puede hacer que las partes metálicas de la herramienta mecánica que estén al descubierto "lleven corriente" y causen descargas eléctricas al operador.

Posicione el cordón de energía alejado del accesorio que gira. Si usted pierde el control, el cordón de energía puede resultar cortado o enganchado y la mano o el brazo del





operador puede ser arrastrado hasta el accesorio que gira.

No deje nunca la herramienta mecánica en ningún lugar hasta que el accesorio se haya detenido por completo. El accesorio que gira se puede enganchar en la superficie y tirar de la herramienta mecánica hasta hacer que usted pierda el control.

No haga funcionar la herramienta mecánica mientras la lleva a su lado. El contacto accidental con el accesorio que gira podría enganchar la ropa del operador y tirar del accesorio hacia su cuerpo.

Limpie regularmente las aberturas de ventilación de la herramienta mecánica. El ventilador del motor absorberá el polvo al interior de la carcasa y la acumulación excesiva de metal en polvo puede causar peligros eléctricos.

No utilice la herramienta mecánica cerca de materiales inflamables. Las chispas podrían incendiar estos materiales.

No utilice accesorios que requieran enfriadores líquidos. La utilización de agua u otros enfriadores líquidos puede causar electrocución o descargas eléctricas.

Instrucciones de seguridad adicionales para todas las operaciones

Retroceso y advertencias relacionadas

El retroceso es una reacción repentina a una rueda que gira, una zapata de soporte, un cepillo o cualquier otro accesorio que resulte pellizcado o enganchado. El pellizcamiento o el enganche causan una parada rápida del accesorio que gira, lo cual a su vez hace que la herramienta mecánica descontrolada sea forzada en sentido opuesto al de rotación del accesorio en el punto del atoramiento.

Por ejemplo, si la pieza de trabajo engancha o pellizca una rueda abrasiva, el borde de la rueda que esté entrando en el punto de pellizcamiento puede penetrar en la superficie del material, haciendo que la rueda se salga del corte o experimente retroceso. La rueda puede saltar hacia el operador o alejándose de éste, dependiendo del sentido de movimiento de dicha rueda en el punto de pellizcamiento. Las ruedas abrasivas también se pueden romper en estas condiciones.

El retroceso es el resultado de la utilización indebida de la herramienta mecánica y/o de procedimientos o condiciones de operación incorrectos, y se puede evitar tomando las precauciones apropiadas que se indican a continuación.

Mantenga un agarre firme de la herramienta mecánica y posicione el cuerpo y el brazo para permitir que usted resista las fuerzas de retroceso. Utilice siempre el mango auxiliar, si se suministra, para tener el máximo control sobre el retroceso o la reacción de fuerza de torsión durante el arranque. El operador puede controlar las reacciones de fuerza de torsión o las fuerzas de retroceso, si se toman las precauciones apropiadas.

No coloque nunca la mano cerca del accesorio que gira. El accesorio puede experimentar retroceso sobre la mano.

No ubique el cuerpo en el área donde la herramienta mecánica se moverá si se produce retroceso. El retroceso propulsará la herramienta en sentido contrario al del movimiento de la rueda en el punto de enganche.

Tenga cuidado especial cuando trabaje en esquinas, bordes afilados, etc. Evite hacer rebotar y enganchar el accesorio. Las esquinas, los bordes afilados o los rebotes tienen tendencia a enganchar el accesorio que gira y causar pérdida de control o retroceso.

No instale una hoja de cadena de sierra para tallar madera ni una hoja con dientes de sierra. Dichas hojas generan retroceso y pérdida de control frecuentes.

Advertencias de seguridad específicas para las operaciones de amolado y tronzado con ruedas abrasivas:

Utilice únicamente los tipos de rueda que estén recomendados para su herramienta eléctrica y el protector específico diseñado para la rueda seleccionada. Las ruedas para las cuales no se diseñó la herramienta eléctrica no pueden ser protegidas adecuadamente por el protector y son inseguras.

La superficie de amolado de las ruedas con depresión en el centro se debe montar de manera que esté debajo del plano del reborde del protector. Una rueda montada incorrectamente que sobresalga a través del plano del reborde del protector no se puede proteger adecuadamente.

El protector se debe sujetar firmemente a la herramienta eléctrica y posicionar para que la seguridad sea máxima, de manera que la menor cantidad posible de rueda quede expuesta hacia el operador. El protector ayuda a proteger al operador contra los fragmentos de rueda rota y el contacto accidental con la rueda.

Las ruedas se deben utilizar solamente para las aplicaciones recomendadas. Por ejemplo: no amole con el lado de una rueda tronzadora. Las ruedas tronzadoras abrasivas están diseñadas para realizar amolado periférico; las fuerzas laterales aplicadas a estas ruedas pueden hacer que se rompan en pedazos.

Utilice siempre pestañas de rueda que no estén dañadas y que tengan el tamaño y la forma correctos para la rueda que haya seleccionado. Las pestañas de rueda apropiadas soportan la rueda, con lo cual reducen la posibilidad de que la rueda se rompa. Las pestañas para ruedas tronzadoras pueden ser diferentes de las pestañas para ruedas de amolar.

No utilice ruedas desgastadas de herramientas eléctricas más grandes. Una rueda diseñada para una herramienta eléctrica más grande no es adecuada para la velocidad más alta de una herramienta más pequeña y puede reventar.

Normas de seguridad adicionales para alisadoras de concreto

Use siempre el protector adecuado con la rueda acopada de diamante de corte en seco. Un protector protege al operador contra los fragmentos de una rueda de amolar rota y las virutas producidas por el amolado.

Utilice únicamente ruedas acopadas de alisar de diamante

de corte en seco con la alisadora de concreto. La alisadora de concreto no está diseñada para utilizarse con ruedas acopadas de corte de amolado estándar ni con cepillos de alambre. El uso de otros accesorios puede causar lesiones.

No utilice una rueda de amolar superficies de tamaño





mayor al tamaño máximo recomendado para su herramienta. El protector de una alisadora de concreto está limitado al tamaño nominal de la máquina. El uso de accesorios de rueda de amolar más grandes o no autorizados puede causar lesiones.

Los accesorios deben tener capacidad nominal para al menos la velocidad recomendada en la etiqueta de advertencia de la herramienta. Las ruedas de amolar y otros accesorios que funcionen a velocidades superiores a la velocidad nominal pueden saltar en pedazos y causar lesiones. *Las ruedas acopadas de diamante de corte en seco deben tener una velocidad máxima de funcionamiento con seguridad superior a las "RPM sin carga" especificadas en la placa del fabricante de la herramienta.*

Utilice siempre el mango auxiliar para tener el máximo control sobre la reacción de par motor o el retroceso. La utilización de la alisadora de concreto sin el mango lateral

podría causar pérdida de control de la misma, dando como resultado posibles lesiones personales graves.

Antes de utilizar la alisadora de concreto o de instalar una rueda de amolar nueva, inspeccione si la rueda acopada de diamante de corte en seco superficies está mellada o agrietada, o si le faltan segmentos. Quite inmediatamente las ruedas de amolar dañadas o desgastadas. Haga funcionar la herramienta sin carga durante un minuto, sujetándola orientada en sentido opuesto a las personas que estén presentes. Normalmente, las ruedas de amolar que tengan defectos se romperán en pedazos durante este período de tiempo.

Cuando quite la rueda de amolar superficies de la herramienta, evite el contacto con la piel y utilice guantes protectores adecuados cuando agarre el accesorio. Los accesorios pueden estar calientes después del uso prolongado.

Advertencias de seguridad adicionales

Un GFCI y los dispositivos de protección personal, como guantes de goma y calzado de goma de electricista, mejorarán más su seguridad personal.

No use herramientas mecánicas con capacidad nominal solamente para CA con una fuente de energía de CC. Aunque pueda parecer que la herramienta funciona correctamente, es probable que los componentes eléctricos de la herramienta con capacidad nominal para CA fallen y creen un peligro para el operador.

Mantenga los mangos secos, limpios y libres de aceite y grasa. Las manos resbalosas no pueden controlar de modo seguro la herramienta mecánica.

Use abrazaderas u otro modo práctico de sujetar y soportar la pieza de trabajo en una plataforma estable. Si se sujeta la pieza de trabajo con la mano o contra el cuerpo, se crea una situación inestable que podría causar pérdida de control.

Desarrolle un programa de mantenimiento periódico de la herramienta. Cuando limpie una herramienta, tenga cuidado de no desmontar ninguna de sus partes, ya que los cables internos podrían reubicarse incorrectamente o pellizcarse, o los resortes de retorno de los protectores de seguridad podrían montarse incorrectamente. Ciertos agentes de limpieza, tales como gasolina, tetracloruro de carbono, amoníaco, etc., podrían dañar las piezas de plástico.

Use protección de la audición. La exposición prolongada a ruido de alta intensidad puede causar pérdida de audición.

Use guantes acolchados gruesos y limite el tiempo de exposición tomando períodos de descanso frecuentes. La vibración causada por el uso de herramientas eléctricas puede ser perjudicial para las manos y los brazos.

Esta herramienta se debe utilizar con protección respiratoria suficiente para bloquear el polvo, incluyendo la

sílice procedente del corte de concreto. Se requieren máscaras con clasificación N-95 como mínimo o protección con respirador de tipo completo para el operador y otras personas que estén en el área de trabajo.

Se requiere recolección de polvo con una aspiradora u otro sistema de recolección de polvo adecuado para aplicaciones en concreto/mampostería.

No utilice una aspiradora u otro sistema de recolección de polvo cuando corte metal. Las chispas generadas al cortar metal pueden causar un incendio en el colector.

Riesgo de lesiones para el usuario. El cordón de energía debe recibir servicio de ajustes y reparaciones solamente por un Centro de Servicio de Fábrica Bosch o una Estación de Servicio Bosch Autorizada.

⚠ ADVERTENCIA Cierta polvo generado por el lijado, aserrado, amolado y taladrado mecánicos, y por otras actividades de construcción, contiene agentes químicos que se sabe que causan cáncer, defectos de nacimiento u otros daños sobre la reproducción. Algunos ejemplos de estos agentes químicos son:


- Plomo de pinturas a base de plomo,
- Sílice cristalina de ladrillos y cemento y otros productos de mampostería, y
- Arsénico y cromo de madera tratada químicamente.

Su riesgo por causa de estas exposiciones varía, dependiendo de con cuánta frecuencia realice este tipo de trabajo. Para reducir su exposición a estos agentes químicos: trabaje en un área bien ventilada y trabaje con equipo de seguridad aprobado, como por ejemplo máscaras antipolvo que estén diseñadas especialmente para impedir mediante filtración el paso de partículas microscópicas.



Símbolos

IMPORTANTE: Es posible que algunos de los símbolos siguientes se usen en su herramienta. Por favor, estúdielos y aprenda su significado. La interpretación adecuada de estos símbolos le permitirá utilizar la herramienta mejor y con más seguridad.

Símbolo	Nombre	Designación/explicación
V	Volt	Tensión (potencial)
A	Ampere	Corriente
Hz	Hertz	Frecuencia (ciclos por segundo)
W	Watt	Potencia
kg	Kilogramo	Peso
min	Minuto	Tiempo
s	Segundo	Tiempo
\varnothing	Diámetro	Tamaño de las brocas taladradoras, muelas, etc
n_0	Velocidad sin carga	Velocidad rotacional sin carga
n	Velocidad nominal	Máxima velocidad obtenible
.../min	Revoluciones o alternación por minuto	Revoluciones, golpes, velocidad de superficie, órbitas, etc., por minuto
0	Posición "off" (apagado)	Velocidad cero, par motor cero...
1, 2, 3, ... I, II, III,	Graduaciones del selector	Graduaciones de velocidad, par motor o posición. Un número más alto significa mayor velocidad
	Selector infinitamente variable con apagado	La velocidad aumenta desde la graduación de 0
	Flecha	Acción en la dirección de la flecha
	Corriente alterna	Tipo o una característica de corriente
	Corriente continua	Tipo o una característica de corriente
	Corriente alterna o continua	Tipo o una característica de corriente
	Construcción de clase II	Designa las herramientas de construcción con aislamiento doble.
	Terminal de toma de tierra	Terminal de conexión a tierra
	Símbolo de advertencia	Alerta al usuario sobre mensajes de advertencia
	Sello RBRC de Li-ion	Designa el programa de reciclaje de baterías de Li-ion
	Sello RBRC de Ni-Cd	Designa el programa de reciclaje de baterías de Ni-Cd
	Símbolo de lectura del manual	Alerta al usuario para que lea el manual
	Símbolo de uso de protección de los ojos	Alerta al usuario para que use protección de los ojos

Símbolos (continuación)

IMPORTANTE: Es posible que algunos de los símbolos siguientes se usen en su herramienta. Por favor, estúdielos y aprenda su significado. La interpretación adecuada de estos símbolos le permitirá utilizar la herramienta mejor y con más seguridad.



Este símbolo indica que esta herramienta está catalogada por Underwriters Laboratories.



Este símbolo indica que esta herramienta está reconocida por Underwriters Laboratories.



Este símbolo indica que Underwriters Laboratories ha catalogado esta herramienta indicando que cumple con las normas estadounidenses y canadienses.



Este símbolo indica que esta herramienta está catalogada por la Canadian Standards Association.



Este símbolo indica que la Canadian Standards Association ha catalogado esta herramienta indicando que cumple con las normas estadounidenses y canadienses.



Este símbolo indica que Intertek Testing Services ha catalogado esta herramienta indicando que cumple con las normas estadounidenses y canadienses.

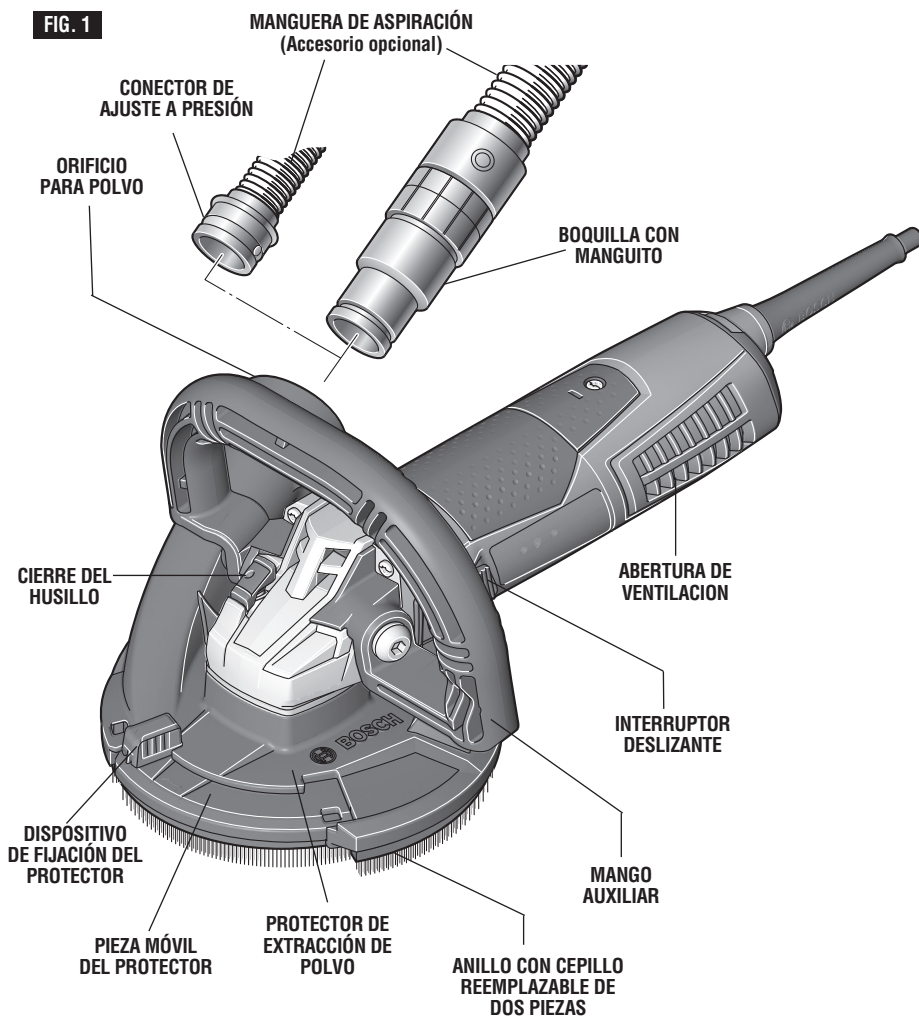


Este símbolo indica que esta herramienta cumple con la norma mexicana oficial (NOM).

Descripción funcional y especificaciones

ADVERTENCIA Desconecte el enchufe de la fuente de energía antes de realizar cualquier ensamblaje o ajuste, o cambiar accesorios. Estas medidas de seguridad preventivas reducen el riesgo de arrancar la herramienta accidentalmente.

Alisadora de concreto



Número de modelo

Diámetro de la rueda acopada de diamante de corte en seco

CSG15

(125 mm)

NOTA: Para obtener las especificaciones de la herramienta, consulte la placa del fabricante colocada en la herramienta.

Ensamblaje

REMOCIÓN E INSTALACIÓN DE LAS RUEDAS ACOPADA DE DIAMANTE DE CORTE EN SECO

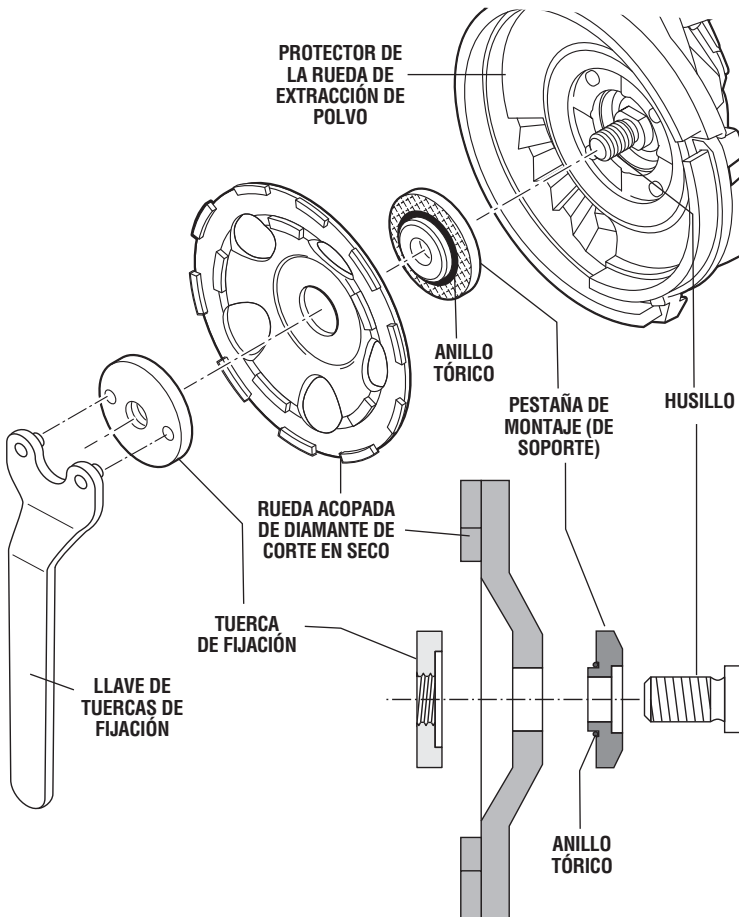
1. Presione el botón del cierre del husillo para impedir que la rueda rote.
2. Afloje la tuerca de fijación con la llave de tuerca suministrada y quite la tuerca de fijación y la rueda acopada de diamante de corte en seco (Fig. 2).
3. Limpie la pestaña de soporte, el husillo, la tuerca de fijación y el protector con el accesorio de inserción de cepillo.
4. Asegúrese de que pestaña de montaje (o de soporte) esté montada en el husillo de la amoladora de manera que el collarín centrador esté orientado alejándose de la herramienta. Nota: Las "superficies planas" de la pestaña de montaje deben acoplarse sobre las "superficies planas" del husillo de la

amoladora para asegurar una instalación apropiada.

5. Hay un anillo tórico (de caucho) ajustado alrededor del collarín centrador de la pestaña de montaje. Si el anillo tórico falta o se daña de alguna manera (por ej., sufre cortes, abrasiones, etc.), dicho anillo está disponible como pieza de repuesto y se puede reemplazar. Visite Boschtools.com para obtener detalles.

6. Coloque la nueva rueda acopada de diamante de corte en seco sobre la pestaña de montaje. Presione el botón del cierre del husillo para fijar el husillo de la amoladora, enrosque la tuerca de fijación en el husillo y apriete firmemente dicha tuerca con la llave de tuerca suministrada. Preste atención a que el collarín de la tuerca de fijación esté orientado de manera que se aleje de la herramienta. Vea la figura 2.

FIG. 2





Instrucciones de funcionamiento

INTERRUPTOR CORREDIZO "ON/OFF" (DE ENCENDIDO Y APAGADO) CON CIERRE

La herramienta se enciende con el botón del interruptor ubicado en un lado de la caja del motor. El interruptor se puede fijar en la posición "ON" (encendido), lo cual resulta práctico al realizar operaciones prolongadas de amolado.

Para encender la herramienta (posición "ON") sin dejarla fija, deslice el botón de interruptor hacia adelante ejerciendo presión ÚNICAMENTE sobre la parte de ATRAS del botón. Al soltar completamente el botón del interruptor, éste volverá a la posición "OFF".

PARA FIJAR EL INTERRUPTOR EN LA POSICIÓN "ON", deslice el botón del interruptor hacia adelante y OPRIMA la parte DELANTERA.

PARA DESBLOQUEAR EL INTERRUPTOR, simplemente oprima y suelte la parte de ATRAS del botón. El interruptor está accionado por resorte y saltará de vuelta automáticamente.

▲ ADVERTENCIA Agarre la herramienta con las dos manos cuando arranque la herramienta, ya que el par de fuerzas del motor puede hacer que la herramienta se tuerza.

Arranque la herramienta antes de aplicarla a la pieza de trabajo. Levante la herramienta de la pieza de trabajo antes de soltar el interruptor. NO encienda y apague el interruptor mientras la herramienta está sometida a carga; esto acortará enormemente la vida del interruptor.

PROTECCIÓN CONTRA REARRANQUES

El dispositivo de protección contra re arranques impide los re arranques incontrolados de la herramienta después de una interrupción del suministro eléctrico. Para re arrancar la herramienta, ponga el interruptor de encendido y apagado en la posición de apagado y luego póngalo de vuelta en la posición de encendido.

Nota: Compruebe regularmente el funcionamiento del dispositivo de protección contra re arranques, sacando el enchufe del tomacorriente mientras la herramienta esté funcionando y enchufándolo luego de vuelta en el tomacorriente.

CIRCUITERÍA DE RETROALIMENTACIÓN ELECTRÓNICA

El sistema de retroalimentación electrónica ayuda a mantener la velocidad sin carga prácticamente constante entre condiciones sin carga y con carga, para ayudar a mantener un rendimiento de trabajo uniforme. El sistema también proporciona un "arranque suave", que reducirá los esfuerzos que ocurren por causa de un arranque con alta fuerza de torsión.

PROTECCIÓN CONTRA SOBRECARGA

La herramienta está equipada con protección contra

sobrecarga para proteger el motor. Si la herramienta se detiene durante el funcionamiento, APAGUE EL INTERRUPTOR INMEDIATAMENTE y deje que el motor se enfríe durante unos 30 segundos haciendo que funcione sin carga. Si la protección contra sobrecarga detiene repetidamente la herramienta, la fuerza excesiva está haciendo que la herramienta se sobrecargue. No presione con tanta fuerza y deje que la herramienta haga el trabajo.

AMOLADO AL RAS

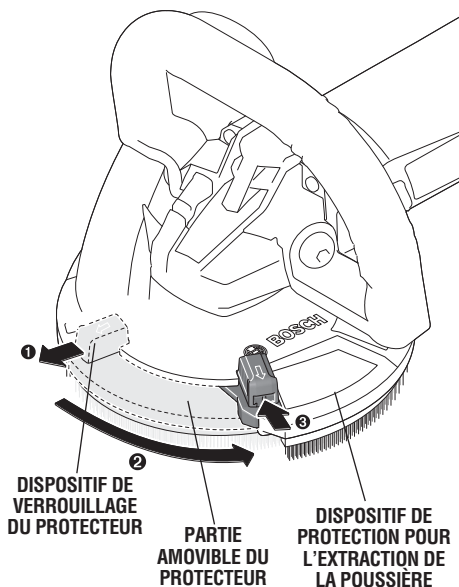
Para amolar superficies cerca del borde o de la pared, deslice hacia delante el dispositivo de fijación de la cubierta antipolvo y gire hacia un lado la pieza móvil del protector (vea la figura 3). Bloquee el dispositivo de fijación. Para regresar a amolado de superficies lejos de los bordes, desbloquee el dispositivo de fijación y deslice la pieza móvil del protector de vuelta a la posición original.

EXTRACCIÓN DE POLVO

▲ ADVERTENCIA Esta herramienta sólo se debe usar con un sistema de extracción de polvo. Además, use siempre una máscara antipolvo aprobada.

Su herramienta está equipada con un orificio para polvo diseñado para extraer el polvo. Para usar este dispositivo, inserte la boquilla de una manguera de aspiración (accesoria) en el orificio para polvo de la herramienta y luego conecte el extremo opuesto de la manguera a una aspiradora.

FIG. 3





La manguera de aspiración Bosch viene con una boquilla con manguito acoplada a un conector de ajuste a presión (Fig. 1). La boquilla con manguito proporciona la conexión más rápida y más fácil de la boquilla al aditamento. El conector de ajuste a presión proporciona una conexión más segura. Para usar el conector de ajuste a presión, retire la boquilla de caucho de la manguera de aspiración. Presione el conector de ajuste a presión hacia el interior del orificio para polvo hasta que oiga un clic.

También hay disponibles adaptadores de orificio para

polvo para conectar el aditamento de extracción de polvo Bosch a cualquier manguera de aspiración de tamaño común. Visite Boschtools.com para obtener detalles.

Asegúrese siempre de que la aspiradora que esté usando esté diseñada para extraer polvo de mampostería. Bosch ofrece aspiradoras adecuadas.

MANGO AUXILIAR

El mango auxiliar, utilizado para guiar y equilibrar la herramienta.

Consejos para la herramienta

Esta herramienta está diseñada para amolar, desbarbar y alisar principalmente materiales minerales, como por ejemplo concreto, piedra, mármol y revestimientos del piso vertidos **sin** el uso de agua. También puede utilizarse para quitar revestimientos protectores y residuos de adhesivo.

ADVERTENCIA No utilice agua ni otro líquido de enfriamiento con esta herramienta para amolar.

Deje que la herramienta alcance toda su velocidad antes de aplicarla a la superficie de la pieza de trabajo.

Sostenga la herramienta con las dos manos y aplique la rueda de diamante plana sobre la superficie de trabajo, haciendo avanzar la herramienta moderadamente hacia atrás y hacia delante.

La rueda acopada de diamante de corte en seco incluida con la herramienta está diseñada para materiales duros.

Una rueda acopada de diamante de corte en seco que esté desafilada puede afilarse con un material abrasivo (por ej., piedra arenisca cretácea).

Visite boschtools.com para ver la línea completa de ruedas acopadas de diamante disponibles.

Accesorios

ADVERTENCIA Si es necesario un cordón de extensión, se debe usar un cordón con conductores de tamaño adecuado que sea capaz de transportar la corriente necesaria para la herramienta. Esto evitará caídas de tensión excesivas, pérdida de potencia o recalentamiento. Las herramientas conectadas a tierra deben usar cordones de extensión de 3 hilos que tengan enchufes de 3 terminales y receptáculos para 3 terminales.

NOTA: Cuanto más pequeño es el número de calibre, más grueso es el cordón.

TAMAÑOS RECOMENDADOS DE CORDONES DE EXTENSION HERRAMIENTAS DE 120 V CORRIENTE ALTERNA

Capacidad nominal en amperes de la herramienta	Tamaño del cordón en A.W.G.				Tamaños del cable en mm ²			
	Longitud del cordón en pies				Longitud del cordón en metros			
	25	50	100	150	15	30	60	120
3-6	18	16	16	14	0,75	0,75	1,5	2,5
6-8	18	16	14	12	0,75	1,0	2,5	4,0
8-10	18	16	14	12	0,75	1,0	2,5	4,0
10-12	16	16	14	12	1,0	2,5	4,0	—
12-16	14	12	—	—	—	—	—	—

- * Protector de la muela
- * Anillo con cepillo reemplazable de dos piezas
- * Pestaña de soporte
- * Rueda acopada de diamante de corte en seco
- * Tuerca de fijación
- * Llave de tuercas de fijación

- * Mango auxiliar
- * Estuche de transporte
- ** Manguera de aspiración

(* = equipo estándar)

(** = accesorios opcionales)



Mantenimiento

Servicio

El mantenimiento preventivo realizado por personal no autorizado puede dar lugar a la colocación incorrecta de cables y componentes internos que podría constituir un peligro serio. Recomendamos que todo el servicio de las herramientas sea realizado por un Centro de servicio de fábrica Bosch o por una Estación de servicio Bosch autorizada.

REEMPLAZO DEL ANILLO CON CEPILLO

Presione con un destornillador en ambas aberturas del protector (Fig. 4). Luego, puede retirar del protector ambas piezas del anillo con cepillo.

Para instalar un anillo con cepillo nuevo, empuje cuidadosamente ambas piezas nuevas hacia el interior de la guía apropiada del anillo con cepillo. Preste atención a que ambas piezas del anillo con cepillo queden perfectamente ajustadas en la guía.

LUBRICACION DE LAS HERRAMIENTAS

Su herramienta Bosch ha sido lubricada adecuadamente y está lista para la utilización. Se recomienda que las herramientas con engranajes se vuelvan a engrasar con un lubricante especial para engranajes en cada cambio de escobillas.

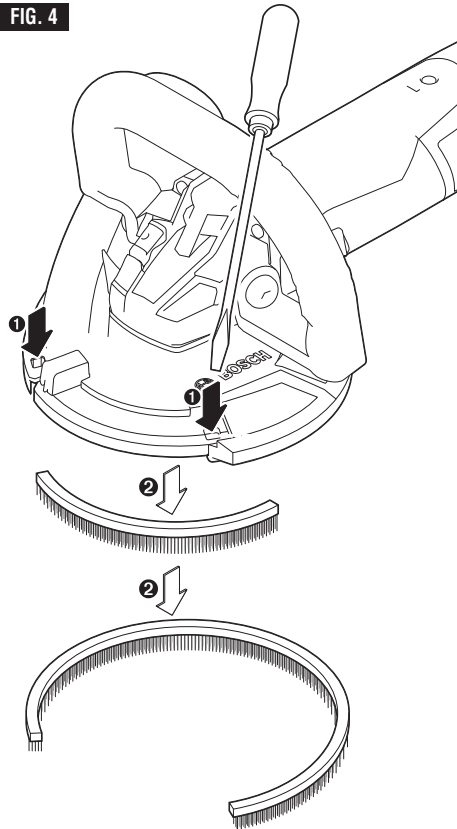
ESCOBILLAS DE CARBONO

Las escobillas de carbono y el conmutador de su herramienta se han diseñado para brindar muchas horas de servicio confiable. Para mantener una eficiencia máxima del motor, recomendamos que cada dos a seis meses se examinen las escobillas de carbono. Sólo se deberán usar escobillas de carbono de repuesto Bosch diseñadas especialmente para su herramienta.

RODAMIENTOS

Después de unas 300-400 horas de funcionamiento o en cada segundo cambio de las escobillas de carbono, se deberán reemplazar los cojinetes en un Centro de Servicio de Fábrica Bosch o en una Estación de Servicio Bosch Autorizada. Los rodamientos que se vuelven ruidosos (debido a la pesada carga o al corte de materiales muy abrasivos) deben ser sustituidos inmediatamente para evitar el sobrecalentamiento o el fallo del motor.

FIG. 4



Limpieza

⚠ ADVERTENCIA Para evitar accidentes desconecte siempre la herramienta de la fuente de energía antes de la limpieza o de la realización de cualquier mantenimiento. La herramienta se puede limpiar más eficazmente con aire comprimido seco. Use gafas de seguridad siempre que limpie herramientas con aire comprimido.

Las aberturas de ventilación y las palancas de interruptor deben mantenerse limpias y libres de materias extrañas. No intente limpiar introduciendo objetos puntiagudos a través de las aberturas.

⚠ PRECAUCION Ciertos agentes de limpieza y disolventes dañan las piezas de plástico. Algunos de estos son: gasolina, tetracloruro de carbono, disolventes de limpieza clorados, amoníaco y detergentes domésticos que contienen amoníaco.



Notes:

Remarques :

Notas:





LIMITED WARRANTY OF BOSCH PORTABLE AND BENCHTOP POWER TOOLS

Robert Bosch Tool Corporation ("Seller") warrants to the original purchaser only, that all BOSCH portable and benchtop power tools will be free from defects in material or workmanship for a period of one year from date of purchase. SELLER'S SOLE OBLIGATION AND YOUR EXCLUSIVE REMEDY under this Limited Warranty and, to the extent permitted by law, any warranty or condition implied by law, shall be the repair or replacement of parts, without charge, which are defective in material or workmanship and which have not been misused, carelessly handled, or misrepaired by persons other than Seller or Authorized Service Station. To make a claim under this Limited Warranty, you must return the complete portable or benchtop power tool product, transportation prepaid, to any BOSCH Factory Service Center or Authorized Service Station. For Authorized BOSCH Power Tool Service Stations, please refer to your phone directory.

THIS LIMITED WARRANTY DOES NOT APPLY TO ACCESSORY ITEMS SUCH AS CIRCULAR SAW BLADES, DRILL BITS, ROUTER BITS, JIGSAW BLADES, SANDING BELTS, GRINDING WHEELS AND OTHER RELATED ITEMS.

ANY IMPLIED WARRANTIES SHALL BE LIMITED IN DURATION TO ONE YEAR FROM DATE OF PURCHASE. SOME STATES IN THE U.S., SOME CANADIAN PROVINCES DO NOT ALLOW LIMITATIONS ON HOW LONG AN IMPLIED WARRANTY LASTS, SO THE ABOVE LIMITATION MAY NOT APPLY TO YOU.

IN NO EVENT SHALL SELLER BE LIABLE FOR ANY INCIDENTAL OR CONSEQUENTIAL DAMAGES (INCLUDING BUT NOT LIMITED TO LIABILITY FOR LOSS OF PROFITS) ARISING FROM THE SALE OR USE OF THIS PRODUCT. SOME STATES IN THE U.S. AND SOME CANADIAN PROVINCES DO NOT ALLOW THE EXCLUSION OR LIMITATION OF INCIDENTAL OR CONSEQUENTIAL DAMAGES, SO THE ABOVE LIMITATION OR EXCLUSION MAY NOT APPLY TO YOU.

THIS LIMITED WARRANTY GIVES YOU SPECIFIC LEGAL RIGHTS, AND YOU MAY ALSO HAVE OTHER RIGHTS WHICH VARY FROM STATE TO STATE IN THE U.S., PROVINCE TO PROVINCE IN CANADA AND FROM COUNTRY TO COUNTRY.

THIS LIMITED WARRANTY APPLIES ONLY TO PORTABLE AND BENCHTOP ELECTRIC TOOLS SOLD WITHIN THE UNITED STATES OF AMERICA, CANADA AND THE COMMONWEALTH OF PUERTO RICO. FOR WARRANTY COVERAGE WITHIN OTHER COUNTRIES, CONTACT YOUR LOCAL BOSCH DEALER OR IMPORTER.

GARANTIE LIMITÉE DES OUTILS ÉLECTRIQUES PORTATIFS ET D'ÉTABLI BOSCH

Robert Bosch Tool Corporation (le « vendeur ») garantit à l'acheteur initial seulement que tous les outils électriques portatifs et d'établi BOSCH seront exempts de vices de matériaux ou d'exécution pendant une période d'un an depuis la date d'achat. LA SEULE OBLIGATION DU VENDEUR ET LE SEUL RECOURS DE L'ACHETEUR sous la présente garantie limitée, et en autant que la loi le permette sous toute garantie ou condition implicite qui en découlerait, sera l'obligation de remplacer ou réparer gratuitement les pièces défectueuses matériellement ou comme fabrication, pourvu que lesdites défectuosités ne soient pas attribuables à un usage abusif ou à quelque réparation bricolée par quelqu'un d'autre que le vendeur ou le personnel d'une station-service agréée. Pour présenter une réclamation en vertu de cette garantie limitée, vous devez renvoyer l'outil électrique portatif ou d'établi complet, port payé, à tout centre de service agréé ou centre de service usine. Veuillez consulter votre annuaire téléphonique pour les adresses.

LA PRÉSENTE GARANTIE NE S'APPLIQUE PAS AUX ACCESSOIRES TELS QUE LAMES DE SCIES CIRCULAIRES, MÊCHES DE PERCEUSES, FERS DE TOUPIES, LAMES DE SCIES SAUTEUSES, COURROIES DE PONÇAGE, MEULES ET AUTRES ARTICLES DU GENRE.

TOUTE GARANTIE IMPLICITE SERA LIMITÉE COMME DURÉE À UN AN À COMPTER DE LA DATE D'ACHAT. CERTAINS ÉTATS AMÉRICAINS, CERTAINES PROVINCES CANADIENNES N'ADMETTANT PAS LE PRINCIPE DE LA LIMITATION DE LA DURÉE DES GARANTIES IMPLICITES, IL EST POSSIBLE QUE LES LIMITATIONS CI-DESSUS NE S'APPLIQUENT PAS À VOTRE CAS.

EN AUCUN CAS LE VENDEUR NE SAURAIT ÊTRE TENU POUR RESPONSABLE DES INCIDENTS OU DOMMAGES INDIRECTS (INCLUANT, MAIS NE SE LIMITANT PAS AUX PERTES DE PROFITS) CONSÉCUTIFS À LA VENTE OU L'USAGE DE CE PRODUIT. CERTAINS ÉTATS AMÉRICAINS ET CERTAINES PROVINCES CANADIENNES N'ADMETTANT PAS LE PRINCIPE DE LA LIMITATION NI L'EXCLUSION DES DOMMAGES INDIRECTS ET CONSÉQUENTIELS, IL EST POSSIBLE QUE LES LIMITATIONS OU EXCLUSIONS CI-DESSUS NE S'APPLIQUENT PAS À VOTRE CAS.

LA PRÉSENTE GARANTIE VOUS ACCORDE DES DROITS BIEN DÉTERMINÉS, Y COMPRIS POSSIBLEMENT CERTAINS DROITS VARIABLES DANS LES DIFFÉRENTS ÉTATS AMÉRICAINS, PROVINCES CANADIENNE ET DE PAYS À PAYS.

CETTE GARANTIE LIMITÉE NE S'APPLIQUE QU'ÀUX OUTILS ÉLECTRIQUES PORTATIFS ET D'ÉTABLI VENDUS AUX ÉTATS-UNIS D'AMÉRIQUE, AU CANADA ET AU COMMONWEALTH DE PORTO RICO. POUR COUVERTURE DE GARANTIE DANS LES AUTRES PAYS, CONTACTEZ VOTRE IMPORTATEUR OU REVENDEUR BOSCH LOCAL.

GARANTIA LIMITADA PARA HERRAMIENTAS MECANICAS PORTATILES Y PARA TABLERO DE BANCO BOSCH

Robert Bosch Tool Corporation ("el Vendedor") garantiza, únicamente al comprador original, que todas las herramientas mecánicas portátiles y para tablero de banco BOSCH estarán libres de defectos de material o de fabricación durante un período de un año a partir de la fecha de compra. LA ÚNICA OBLIGACION DEL VENDEADOR Y EL RECURSO EXCLUSIVO QUE USTED TIENE bajo esta Garantía Limitada y, hasta donde la ley lo permita, bajo cualquier garantía o condición implícita por ley, consistirá en la reparación o sustitución sin costo de las piezas que presenten defectos de material o de fabricación y que no hayan sido utilizadas incorrectamente, manejadas descuidadamente o reparadas incorrectamente por personas que no sean el Vendedor o una Estación de servicio autorizada. Para efectuar una reclamación bajo esta Garantía Limitada, usted debe devolver el producto, que consiste en la herramienta mecánica portátil o para tablero de banco completa, con el transporte pagado, a cualquier Centro de servicio de fábrica o Estación de servicio autorizada. Para Estaciones de servicio autorizadas de herramientas mecánicas BOSCH, por favor, consulte el directorio telefónico.

ESTA GARANTIA LIMITADA NO SE APLICA A ARTICULOS ACCESORIOS TALES COMO HOJAS PARA SIERRAS CIRCULARES, BROCAS PARA TALADROS, BROCAS PARA FRESADORAS, HOJAS PARA SIERRAS DE VAIVEN, CORREAS PARA LIJAR, RUEDAS DE AMOLAR Y OTROS ARTICULOS RELACIONADOS.

TODAS LAS GARANTIAS IMPLICITAS TENDRAN UNA DURACION LIMITADA A UN AÑO A PARTIR DE LA FECHA DE COMPRA. ALGUNOS ESTADOS DE LOS EE.UU. Y ALGUNAS PROVINCIAS CANADIENSES NO PERMITEN LIMITACIONES EN CUANTO A LA DURACION DE UNA GARANTIA IMPLICITA, POR LO QUE ES POSIBLE QUE LA LIMITACION ANTERIOR NO SEA APLICABLE EN EL CASO DE USTED.

EL VENDEADOR NO SERA RESPONSABLE EN NINGUN CASO DE NINGUN DAÑO INCIDENTAL O EMERGENTE (INCLUYENDO PERO NO LIMITADO A RESPONSABILIDAD POR PERDIDA DE BENEFICIOS) QUE SE PRODUZCA COMO CONSECUENCIA DE LA VENTA O UTILIZACION DE ESTE PRODUCTO. ALGUNOS ESTADOS DE LOS EE.UU. Y ALGUNAS PROVINCIAS CANADIENSES NO PERMITEN LA EXCLUSION O LIMITACION DE LOS DAÑOS INCIDENTALES O EMERGENTES, POR LO QUE ES POSIBLE QUE LA LIMITACION O EXCLUSION ANTERIOR NO SEA APLICABLE EN EL CASO DE USTED.

ESTA GARANTIA LIMITADA LE CONFIERE A USTED DERECHOS LEGALES ESPECIFICOS Y ES POSIBLE QUE USTED TAMBIEN TENGA OTROS DERECHOS QUE VARIAN DE ESTADO A ESTADO EN LOS EE.UU., DE PROVINCIA A PROVINCIA EN CANADA Y DE UN PAIS A OTRO.

ESTA GARANTIA LIMITADA SE APLICA SOLAMENTE A HERRAMIENTAS ELECTRICAS PORTATILES Y PARA TABLERO DE BANCO VENDIDAS EN LOS ESTADOS UNIDOS DE AMERICA, CANADA Y EL ESTADO LIBRE ASOCIADO DE PUERTO RICO. PARA COBERTURA DE GARANTIA EN OTROS PAISES, PONGASE EN CONTACTO CON SU DISTRIBUIDOR O IMPORTADOR LOCAL DE BOSCH.

© Robert Bosch Tool Corporation 1800 W. Central Road Mt. Prospect, IL 60056 -2230

Exportado por: Robert Bosch Tool Corporation Mt. Prospect, IL 60056 -2230, E.U.A.

Importado en México por: Robert Bosch, S.A. de C.V., Calle Robert Bosch No. 405, Zona Industrial, Toluca, Edo. de México, C.P. 50070, Tel. (722) 2792300

