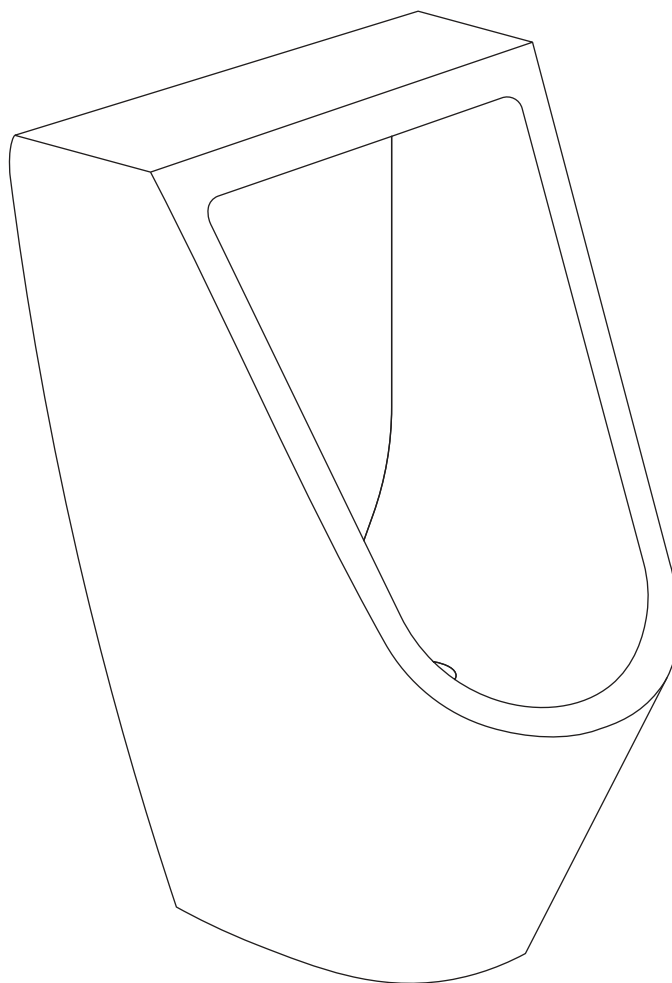


INSTALLATION INSTRUCTIONS

Swiss Madison[®]
well made forever

Voltaire Waterless Urinal SM-UT802



Share your pictures for a feature
using #SwissMadison



Thank you for your purchase!

Thank you for purchasing a Swiss Madison Urinal.

We appreciate your business and know you will enjoy your product for many years to come.

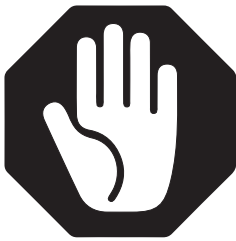
If you have any questions or require assistance we would be happy to help,
please contact us at 1-434-6234766 or info@swissmadison.com.

To learn more about our products, please visit:

www.swissmadison.com

Sincerely,

The Swiss Madison Team



Prior to Installation:

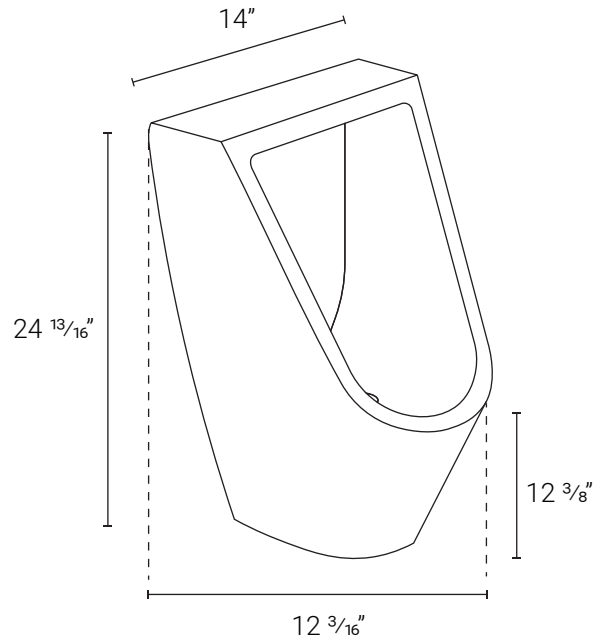
- Inspect urinal to ensure no damages have occurred while in shipping.
- Observe all plumbing and building codes in accordance with your state and local requirements.
- Make sure mounting surface is CLEAN and LEVEL.
- All dimensions are nominal! Be sure to measure your urinal prior to installation.

General Recommendations: Read installation and maintenance instructions thoroughly before installing.
Be sure to use proper tools and always wear proper personal safety accessories for your protection.

If you have any questions or concerns please contact us:

1-434-623-4766

info@swissmadison.com



Voltaire
14" x 12 ³/₁₆" x 24 ¹³/₁₆"

SM-UT802 - White

SUGGESTED TOOLS AND MATERIALS



Safety Glasses



Wrench



Screwdriver



Pencil



Drill (Ø 5/16 bit)

PARTS LIST

· Waterless Urinal

· Fixing Kit

· PVC Connecting Tubes

· Maintenance Key

NOTE: Specialized tools may be necessary to install a Swiss Madison Urinal, plumbing not included.
NOTE: All measurements are nominal.

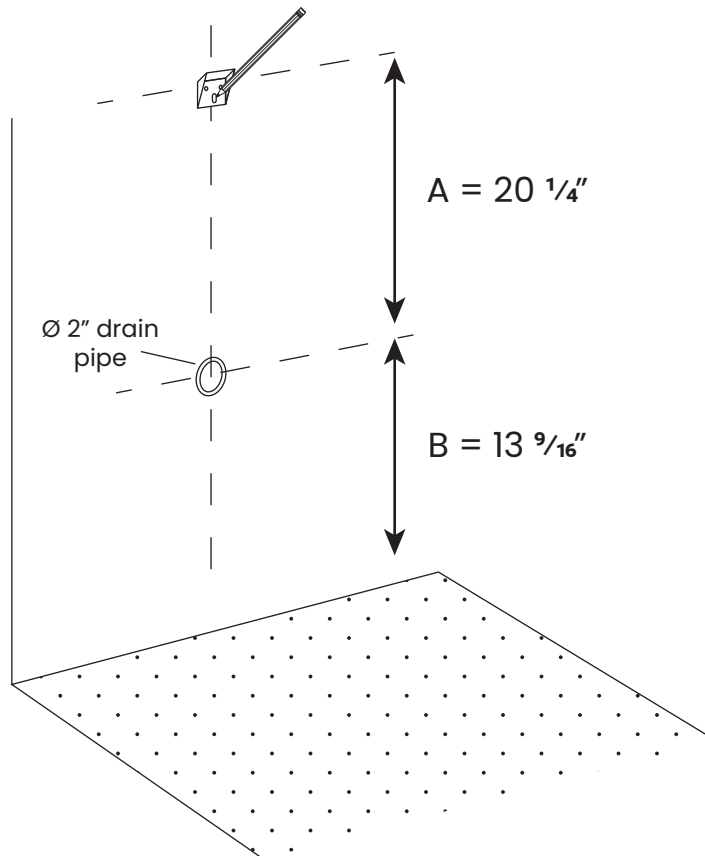
The step-by-step guidelines in the installation instructions are a general reference for installing a Swiss Madison Urinal.
Should there be any discrepancies, Swiss Madison cannot be held liable.
It is recommended to install all Swiss Madison products by hiring a licensed professional

- ① 1. Read the complete instruction manual before beginning installation.
 - 2. Confirm that your model will fit in intended location and plumbing fixtures are located where legally required before beginning installation.
 - 3. Not all drawings in this manual are drawn to scale. Please refer to the model chart.
 - 4. Two people are recommended to install and move this product.
 - 5. Product is FRAGILE! To avoid breakage and possible injury handle with care.
- WARNING:** Do not install on copper DWV as copper is highly corrosive.

1. Mark Anchor Position

· Mark the center and place the anchor at the recommended distance.

NOTE: it is recommended to use PVC drain pipe.

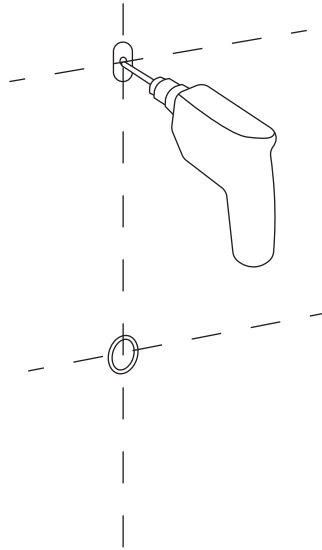


NOTE: Drawings may not exactly define contour of china.

2. Drill According to Wall Material

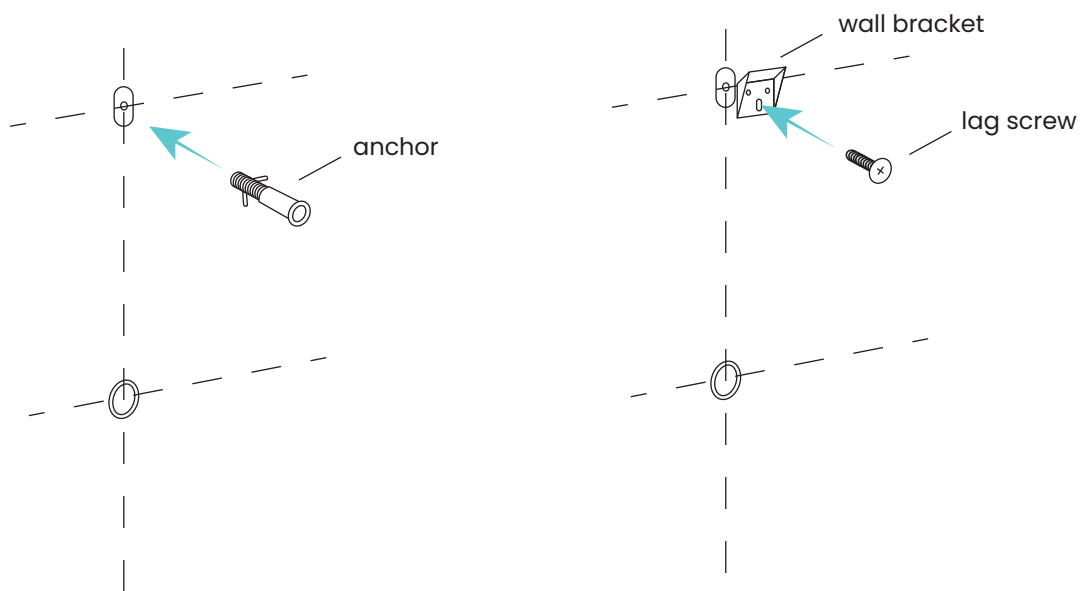
- Drill the mark with $\varnothing 5/16$ " drill bit for concrete (not included).
- For installations with wood framing, sheet rock and tile, you will need to put proper backing behind wall before installation the product.

NOTE: 3/4" plywood is a suitable backing for this installation. Preferably a minimum of a foot wide with the bracket centered in the middle of the 3/4" plywood. Make sure to securely fasten backing.



3. Attach Bracket

- Insert the anchor into the marked hole.
- Attach the wall bracket using the washer and lag screw

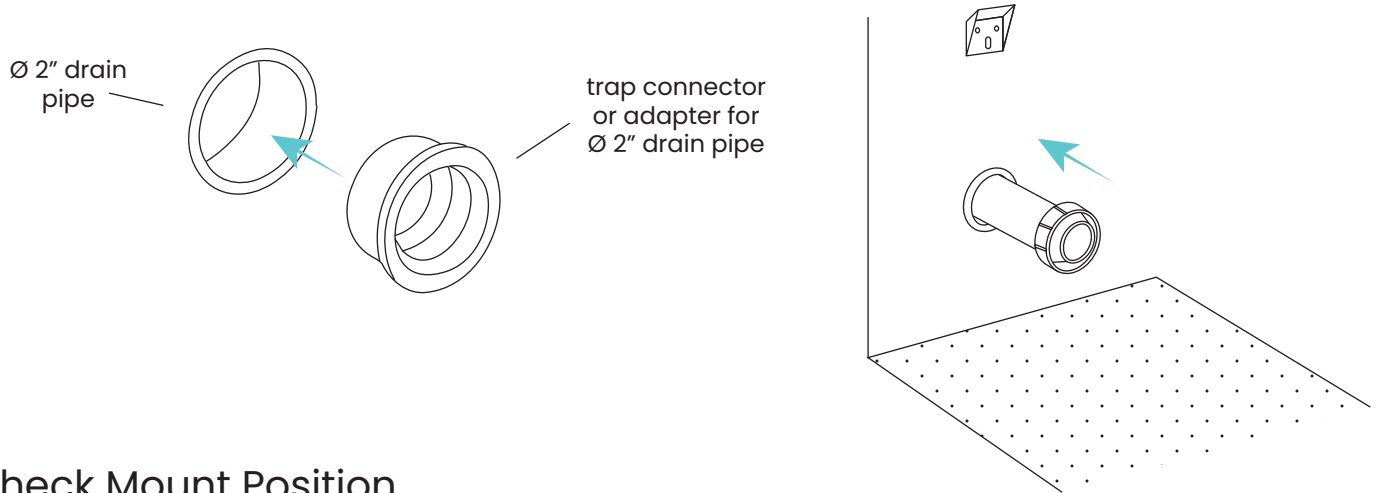


NOTE: Drawings may not exactly define contour of china.

4. Install Connecting Tubes

- Insert the trap connector or adapter into the drain pipe, make sure the drain pipe is rigid and fixed to the wall.
- Insert the tube into the drain, cut tube if necessary.

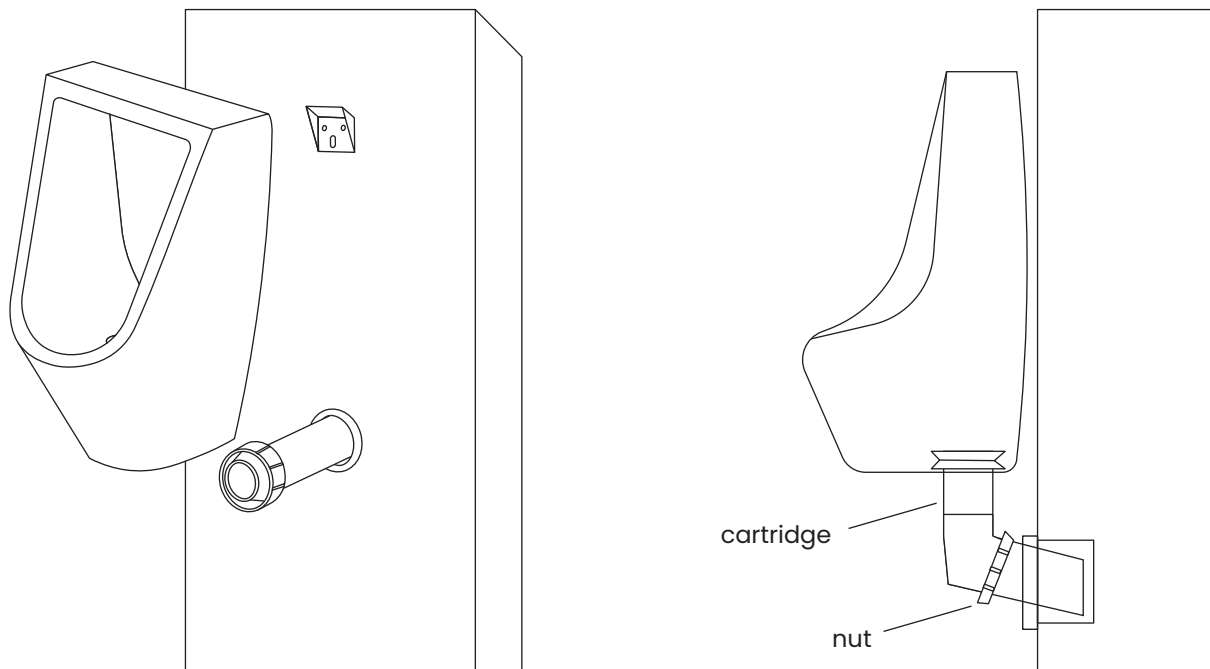
NOTE: If the drain pipe is a different diameter it is recommended to buy a sanitary coupling or adapter as needed.



5. Check Mount Position

- Mount urinal on wall bracket.
- Screw the nut into the cartridge. Verify the tilt of the pipe elbow is adequate to avoid stagnation and bad odors.

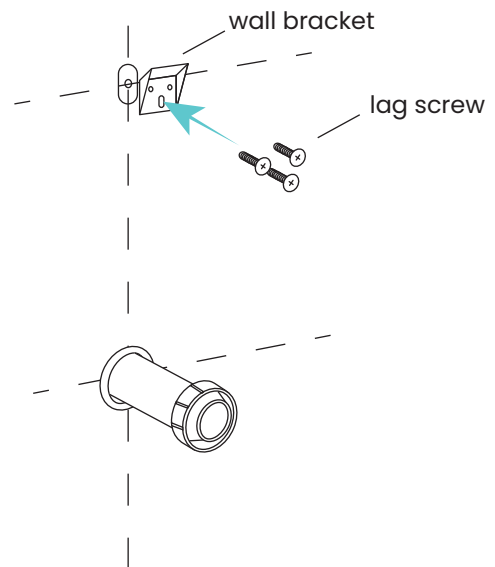
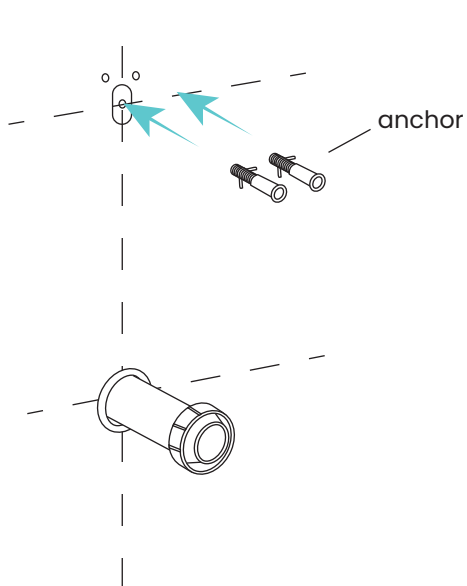
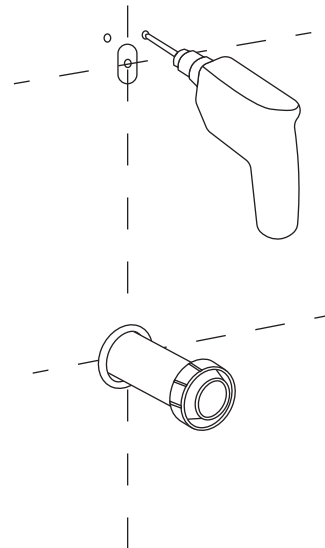
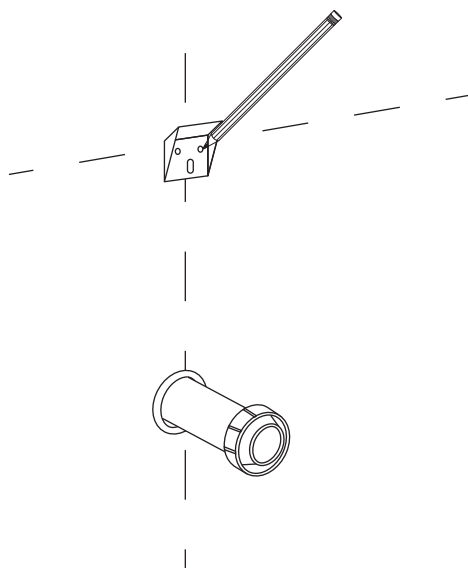
NOTE: If the bracket needs to be adjusted, remove urinal, loosen lag screw and adjust bracket up/down as needed.



NOTE: Drawings may not exactly define contour of china.

6. Secure Mount

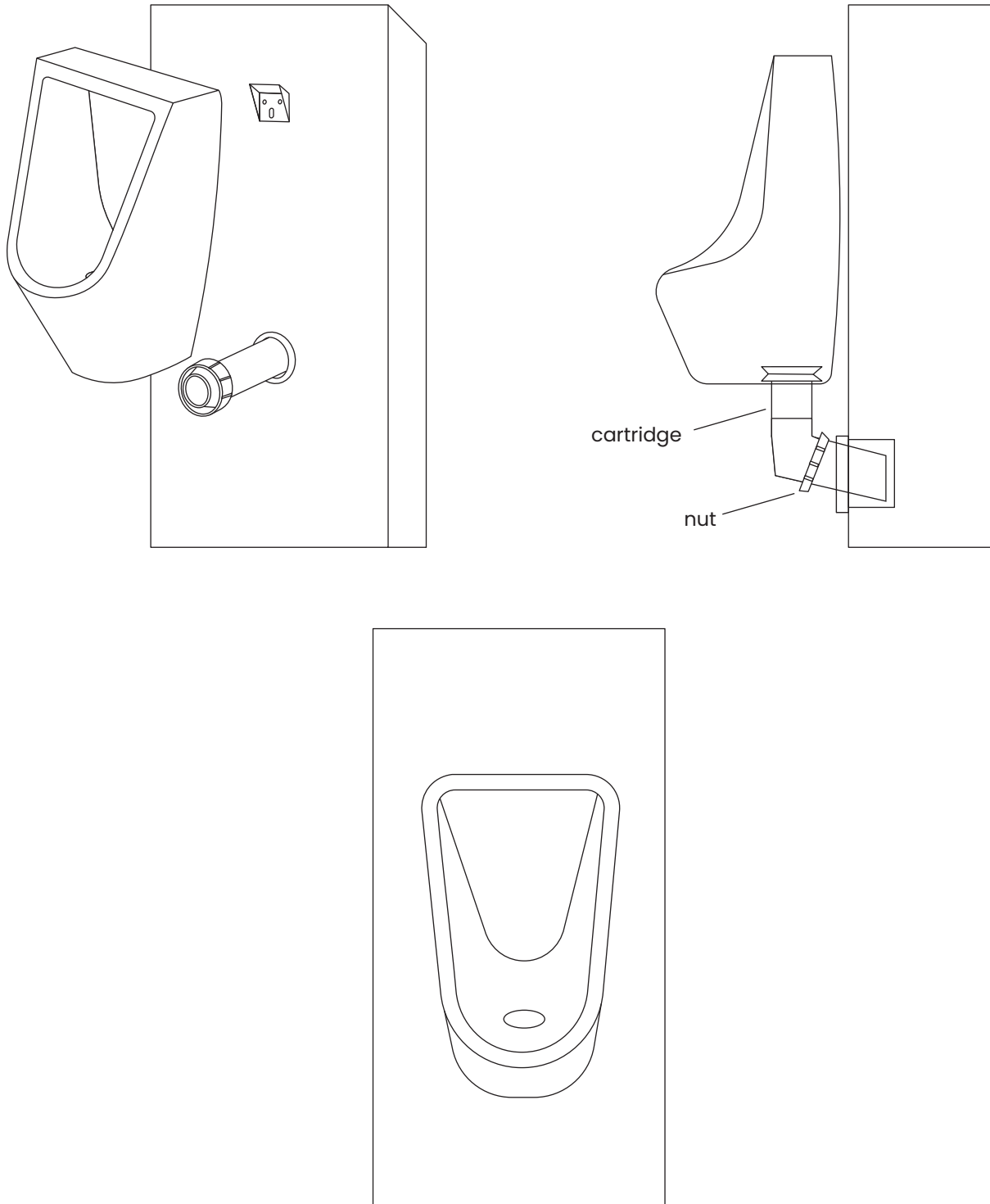
- Remove urinal and bracket from the wall.
- Mark the missing holes in the bracket with a pencil.
- Drill remaining marks with $\text{\O} 5/16''$ drill bit for concrete (not included).
- Insert anchors into the marked holes.
- Attach the wall bracket using the washers and lag screws.



NOTE: Drawings may not exactly define contour of china.

7. Secure Urinal

- Mount urinal on bracket and reattach to cartridge and piping.
- Verify the tilt of the pipe elbow is adequate to avoid stagnation and bad odors.



NOTE: Drawings may not exactly define contour of china.

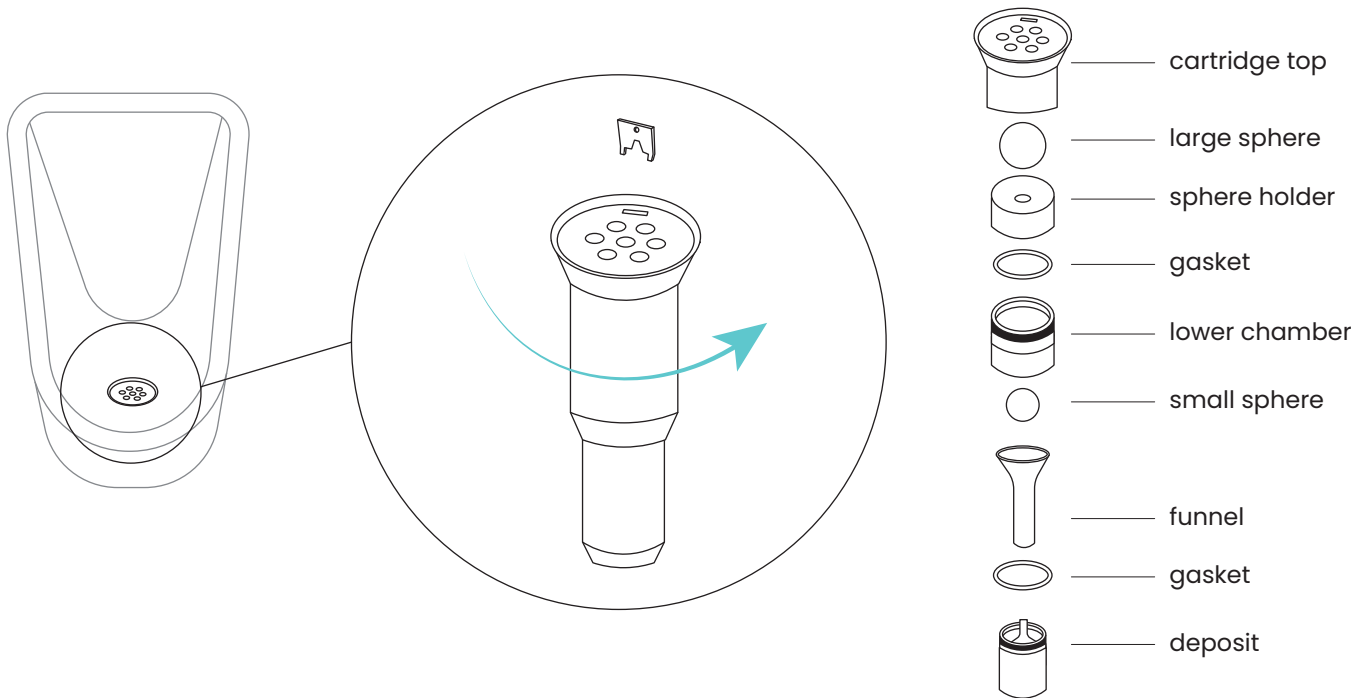
8. Daily Cleaning

- Perform daily cleaning with cleaning product of your choice.
 - It is very important to pour at least one gallon of clean or recycled water everyday.
- NOTE:** Use soft fibers to avoid scratching the ceramic.

9. Monthly Maintenance

- Unscrew and remove cartridge with maintenance key.
- It is very important to pour at least one gallon of clean or recycled water everyday.
- Unscrew and disassemble cartridge system, clean all components with soap and water then reassemble.

NOTE: Use soft fibers to avoid scratching the ceramic and spheres.



10. Troubleshooting

PROBLEM	CAUSE	SOLUTION
Bad Smell	· The cartridge sphere is not sealing.	· Remove cartridge and wash its components.
	· Connector is disassembled or incorrectly installed.	· Insert the connector and check installation.
	· The sphere is not inside the cartridge.	· Place sphere into cartridge.
Stagnant Liquids	· Pipe elbow tilt is not adequate for drainage.	· Uninstall and reinstall the product.
	· Accumulation of sediment in product/pipeline.	· Remove product, wash components, and pour clog remover/ perform mechanical maintenance on the pipe.

NOTE: Drawings may not exactly define contour of china.



1-434-MADISON

(623-4766)

19 Stults Road

Dayton, NJ 08810

www.swissmadison.com

ONE YEAR LIMITED WARRANTY

Swiss Madison® products are made with quality materials and excellent craftsmanship to provide our customers with beautiful, durable, long-lasting products. Should there be any defects in materials or craftsmanship under regular use that are discovered within the first year of installation, Swiss Madison® will provide replacement parts at no charge, or at its discretion, replace any product or part of the product that is deemed defective, under normal installation, use, service or maintenance. This warranty applies only to the original purchaser. Proof of purchase will be required in the instance of a claim.

Swiss Madison® recommends all installations of Swiss Madison® products to be conducted by a licensed, professional plumber or contractor. Swiss Madison® will not be held responsible for any damage or product failure due to improper installation, misuse, or failure to utilize a licensed professional for installation. Swiss Madison® is not responsible for any installation or removal costs.

This One Year Limited Warranty Will Be Voided If:


- The installation recommendations were not followed by the installer
- The product has been moved from its initial place of installation
- The product has in any way been modified from its packaged state
- The product has been subjected to improper maintenance, abuse, misuse, excessive use of chemicals, accidents, or other damages, etc.

Swiss Madison® makes no implication that its products comply with any local building or plumbing codes. It is the consumer's responsibility and obligation to determine local code compliance prior to and during installation. This warranty extends only to the original purchaser and first consumer.

Swiss Madison® is not responsible for any special, incidental or consequential damages associated with the installation, replacement, return or use of the original purchaser's product. This includes, but is not limited to: freight costs, labor, travel time, lost profit, home damages and other contingent liabilities and costs (including, without limitation, costs associated with 'professionals' or 'experts', investigations, audits, analyses, attorneys and any other professional/hired services).

The Swiss Madison® warranty is a comprehensive and explicit limit of liability. All items not disclosed within the warranty are not addressable within the responsibility of Swiss Madison®. Certain states have variances regarding implied warranties; in those situations, we remain fully compliant.

**If you have any questions or concerns, please contact us directly at
1-434-MADISON (623-4766)**

 **WARNING:** Contents of your order may contain sharp and possibly other harmful pieces and may cause hazard to children and adults. Swiss Madison® is not responsible in any way for personal damages.