

ASSEMBLY INSTRUCTIONS

Description: Kelly Lounge Chair

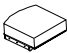



Important safety instructions:

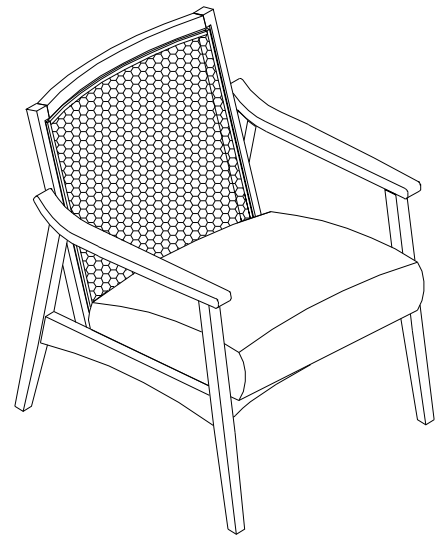
- Please read carefully all instructions before assembly.
- For your safety and ease, assembly by two or more adults is recommended.
- Keep instructions for future use.

Pre-assembly:






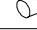

- Do not discard any content until assembly is complete to avoid accidentally discarding small parts or hardware.
- Take out all parts and hardware from box.

Parts List

Item	Description	QTY
P1	Seat Cushion 	1
P2	Back Frame 	1
P3	Left Arm  (P3)	1
P4	Right Arm  (P4)	1



Hardware List

Item	Description	QTY
H1	Short Bolts Ø1/4"*1-1/4" 	2
H2	Long Bolts Ø1/4"*1-1/2" 	6
H3	Lock Washers 1/4" 	8
H4	Small Flat washers 1/4"*12mm 	4
H5	Big Flat washers 1/4"*19mm 	4
H6	Wooden Plugs 	4
H7	Allen Wrench 1/4" 	1

DISCLAIMER:

WHEN PROPERLY ASSEMBLED, THIS ITEM IS SAFE FOR INTENDED USE. SELLER IS NOT LIABLE FOR ANY DAMAGES RESULTING FROM ITEM BEING IMPROPERLY ASSEMBLED AFTER PURCHASE.

Assembly Procedures:

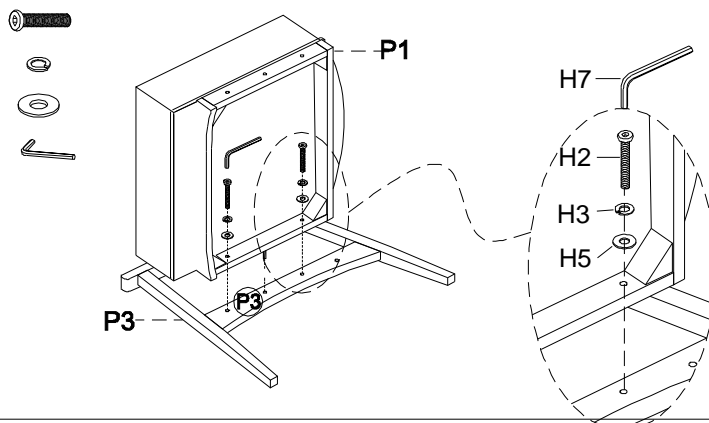
Step 1. Assemble the lounge on a flat, soft surface such as a carpet or cloth to prevent scratching the finish. Attach seat cushion (P1) with one located dowel to left arm (P3), please note the label "P3" on the left arm (P3) as shown below. Loosely tighten the bolts with Allen wrench (H7).

(H2)x2 Long Bolts Ø1/4"*1-1/2"






(H3)x1 Lock Washers 1/4"

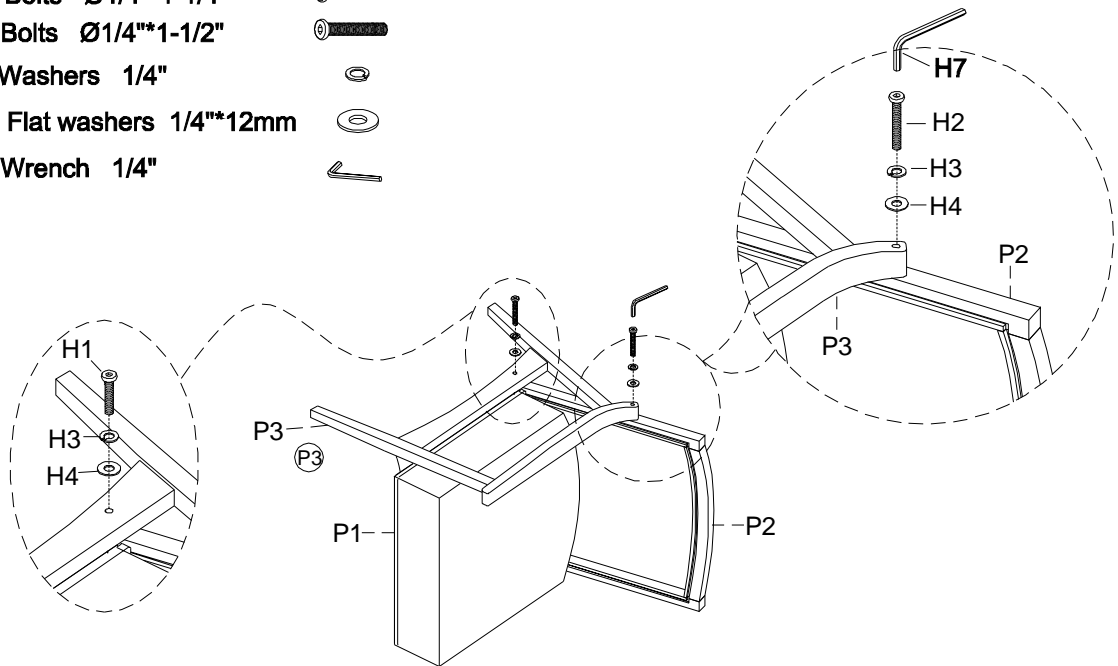
(H5)x1 Big Flat washers 1/4"*19mm

(H7)x1 Allen Wrench 1/4"




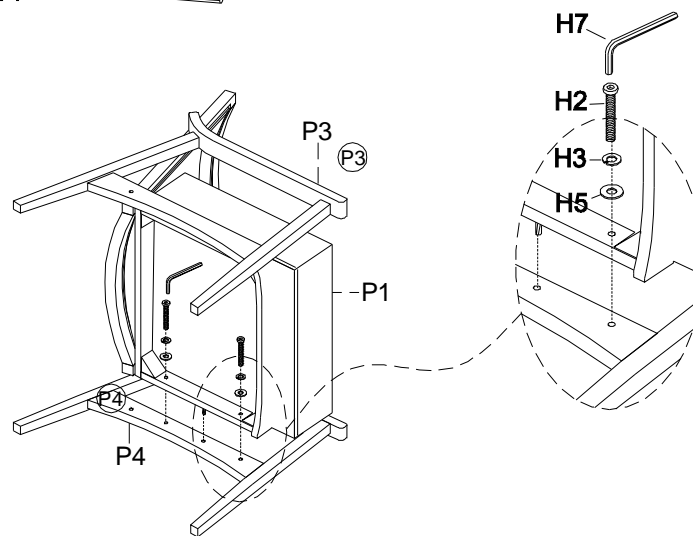
Step 2. Loosely attach left arm (P3) to seat cushion (P1) and back frame (P2). Loosely tighten by Allen wrench (H7) as shown below.

- (H1)x1 Short Bolts $\text{Ø}1/4'' \times 1-1/4''$ 
- (H2)x1 Long Bolts $\text{Ø}1/4'' \times 1-1/2''$ 
- (H3)x2 Lock Washers 1/4" 
- (H4)x2 Small Flat washers 1/4" x 12mm 
- (H7)x1 Allen Wrench 1/4" 







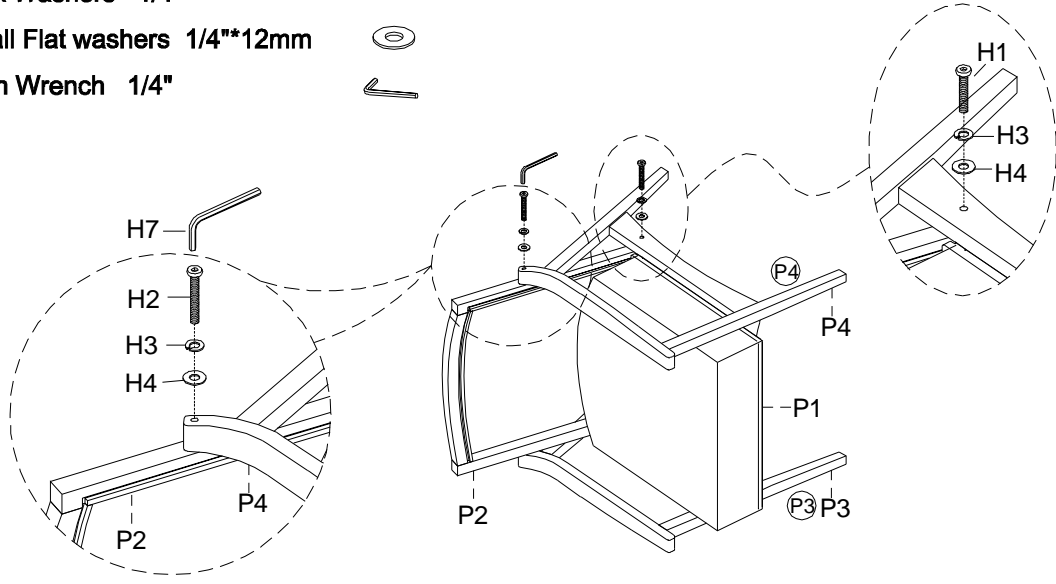
Step 3. Loosely attach right arm (P4) with label "P4" to seat cushion (P1). Loosely tighten by Allen wrench (H7) as shown below.

- (H2)x2 Long Bolts $\text{Ø}1/4'' \times 1-1/2''$ 
- (H3)x2 Lock Washers 1/4" 
- (H5)x2 Big Flat washers 1/4" x 19mm 
- (H7)x1 Allen Wrench 1/4" 



Step 4. Loosely attach right arm (P4) to seat cushion (P1) and back frame (P2). Loosely tighten by Allen wrench (H7) as shown below.

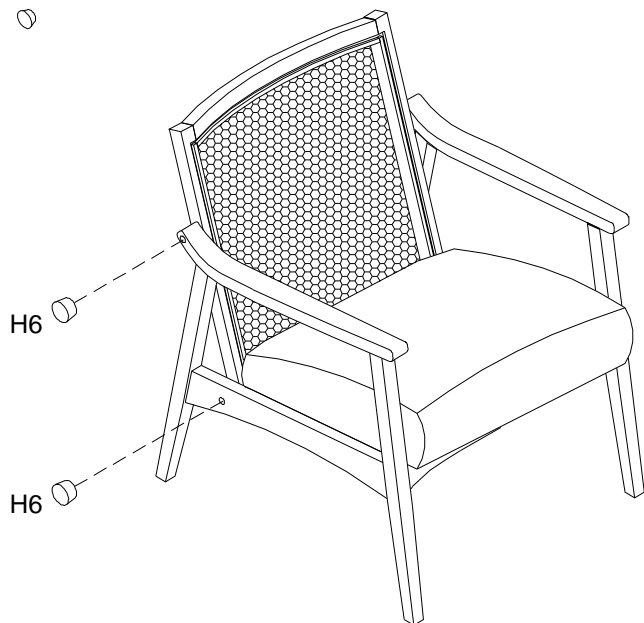
- (H1)x1 Short Bolts $\text{Ø}1/4'' \times 1-1/4''$ 
- (H2)x1 Long Bolts $\text{Ø}1/4'' \times 1-1/2''$ 
- (H3)x2 Lock Washers 1/4" 
- (H4)x2 Small Flat washers 1/4" x 12mm 
- (H7)x1 Allen Wrench 1/4" 



Step 5.

- 1) Make sure the assembled lounge is level and securely tighten all the bolts with Allen wrench (H7).
- 2) Attach wooden plugs (H6) to each exposed bolt holes, tighten with rubber hammer to knock the wooden plug till its tighten. **Note:** use a soft cloth between the wooden plug and hammer to prevent damage to wooden plug finish.
- 3) Assembly is complete. **Failure to follow these instructions may cause the bolts to misalign during assembly.**

- (H6)x4 **Wooden Plugs** 



ADDITIONAL NOTE ABOUT SAFETY: BOLTS MAY LOOSEN DURING NORMAL EVERYDAY USE. THEY SHOULD BE PERIODICALLY INSPECTED AND RE-TIGHTENED TO PREVENT DAMAGE OR INJURY. ALWAYS CHECK TO ENSURE THAT ALL HARDWARE IS KEPT TIGHTENED.

Thank you for your purchase