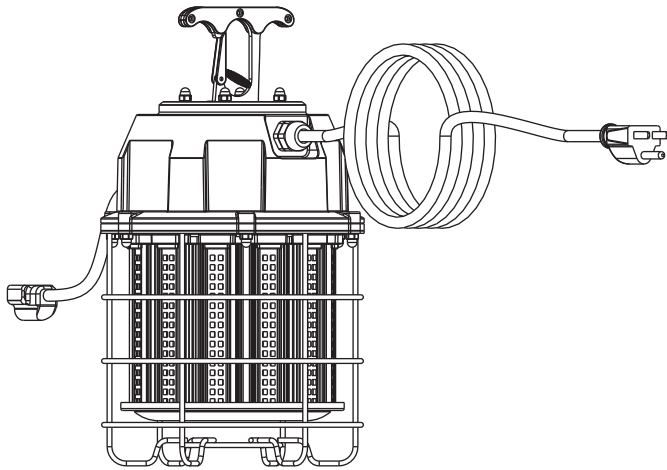


TOTAL LEDS

100W LED Temporary Work Lamp



BASIC INFO

| Model | Power | Voltage | Lumen | |
|-------|-------|---------|---------|----------------------------------|
| | 100W | AC 120V | 12000lm | Suitable for Damp Location |
| | | | | |
| | | | | |
| | | | | |

1. The driver of this work light can be worked at 120-277V. But the usage only under AC 120V meet the UL/ETL product certification standard.
2. Any modified conversion to these luminaires will immediately void the warranty

Application:

Suitable for construction sites or any other location requiring a temporary work lamp.

!! CAUTION

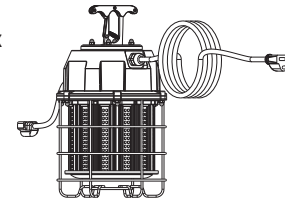
- Make sure the distances between live part and metal part of the device can satisfy reinforce or double insulation.
- Before installation and maintenance of the device, please disconnect the power to prevent electric shock.
- The LED temporary work light must be installed in an appropriate environment, operating in harsh environments may shorten the lifespan or even damage the device.
- Please keep the device away from any corrosive substance, clean with dry cloth only.
- To ensure personal safety, please make sure the device is staying firmly and securely when install on high places.

INSTALLATION INSTRUCTIONS

Warning: Please check and make sure there is no sign of physical damage to the product when unpacking. Do not use damaged product.

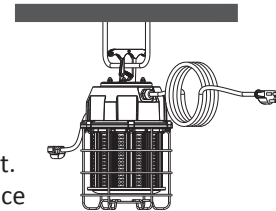
Step 1

Tighten the carabiner O hook and fix the hook screw.



Step 2

Ensure the installation spot is strong enough to bear a minimum of 66lbs of weight.



Step 3

Plug the power cord to a power outlet. Turn on the device and see if the device is operating accordingly.

LINKABLE

Products use 18/3 cable

100W - For only use with this product connect up to 7pcs