



OPERATOR'S MANUAL

MANUEL D'UTILISATION

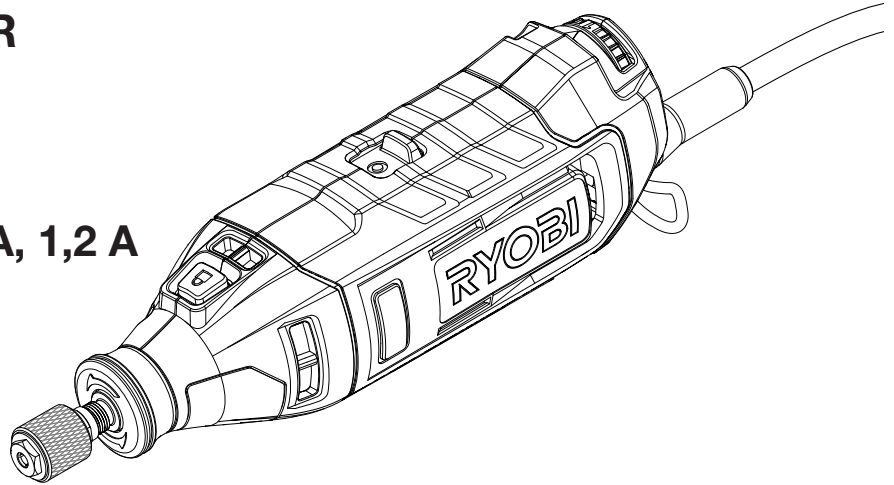
MANUAL DEL OPERADOR

1.2 AMP ROTARY TOOL

OUTIL ROTATIF, 1,2 A

HERRAMIENTA ROTATORIA, 1,2 A

RRT100



**EN MEXICO:
PARA MÁS INFORMACIÓN
WWW.RYOBITOLS.MX
CENTROS DE SERVICIO
800-843-1111**



INCLUDES: Rotary Tool, Rotary Tool Accessories, Rotary Tool Attachments, Wrench, Operator's Manual

TABLE OF CONTENTS

- General Power Tool Safety Warnings2-3
- Rotary Tool Safety Warnings3-5
- Symbols.....6
- Electrical.....7
- Features.....8
- Assembly.....8
- Operation.....9-12
- Maintenance.....13
- Illustrations15-16
- Parts Ordering and ServiceBack page

⚠ WARNING: To reduce the risk of injury, the user must read and understand the operator's manual before using this product.

SAVE THIS MANUAL FOR FUTURE REFERENCE

INCLUT : L'outil rotatif, l'outil rotatif accessoires, fixation d'outil rotatif, clé, manual del operator

TABLE DES MATIÈRES

- Avertissements de sécurité générales relatives aux outils électriques.....2-3
- Avertissements de sécurité relatifs de l'outil rotatif3-6
- Symboles.....7
- Caractéristiques électriques.....8
- Caractéristiques9
- Assemblage.....9
- Utilisation10-13
- Entretien14
- Illustrations15-16
- Commande de pièces et dépannagePage arrière

⚠ AVERTISSEMENT : Pour réduire les risques de blessures, l'utilisateur doit lire et veiller à bien comprendre le manuel d'utilisation avant d'employer ce produit.

CONSERVER CE MANUEL POUR FUTURE RÉFÉRENCE

INCLUYE: Herramienta rotatoria, herramienta rotatoria accesorios, aditamento de herramienta rotatoria, llave, manual del operador

ÍNDICE DE CONTENIDO

- Advertencias de seguridad para herramientas eléctrica2-3
- Advertencias de seguridad de herramienta rotatoria3-6
- Símbolos.....7
- Aspectos eléctricos8
- Características9
- Armado9
- Funcionamiento10-13
- Mantenimiento.....14
- Ilustraciones.....15-16
- Pedidos de piezas y servicioPág. posterior

⚠ ADVERTENCIA: Para reducir el riesgo de lesiones, el usuario debe leer y comprender el manual del operador antes de usar este producto.

GUARDE ESTE MANUAL PARA FUTURAS CONSULTAS

GENERAL POWER TOOL SAFETY WARNINGS

WARNING:

Read all safety warnings, instructions, illustrations and specifications provided with this power tool.

Failure to follow all instructions listed below may result in electric shock, fire and/or serious injury.

Save all warnings and instructions for future reference. The term “power tool” in the warnings refers to your mains-operated (corded) power tool or battery-operated (cordless) power tool.

WORK AREA SAFETY

- **Keep work area clean and well lit.** Cluttered or dark areas invite accidents.
- **Do not operate power tools in explosive atmospheres, such as in the presence of flammable liquids, gases or dust.** Power tools create sparks which may ignite the dust or fumes.
- **Keep children and bystanders away while operating a power tool.** Distractions can cause you to lose control.

ELECTRICAL SAFETY

- **Power tool plugs must match the outlet. Never modify the plug in any way. Do not use any adapter plugs with earthed (grounded) power tools.** Unmodified plugs and matching outlets will reduce risk of electric shock.
- **Avoid body contact with earthed or grounded surfaces, such as pipes, radiators, ranges and refrigerators.** There is an increased risk of electric shock if your body is earthed or grounded.
- **Do not expose power tools to rain or wet conditions.** Water entering a power tool will increase the risk of electric shock.
- **Do not abuse the cord. Never use the cord for carrying, pulling or unplugging the power tool. Keep cord away from heat, oil, sharp edges or moving parts.** Damaged or entangled cords increase the risk of electric shock.
- **When operating a power tool outdoors, use an extension cord suitable for outdoor use.** Use of a cord suitable for outdoor use reduces the risk of electric shock.
- **If operating a power tool in a damp location is unavoidable, use a ground fault circuit interrupter (GFCI) protected supply.** Use of a GFCI reduces the risk of electric shock.

PERSONAL SAFETY

- **Stay alert, watch what you are doing and use common sense when operating a power tool. Do not use a power tool while you are tired or under the influence of drugs, alcohol or medication.** A moment of inattention while operating power tools may result in serious personal injury.

- **Use personal protective equipment. Always wear eye protection.** Protective equipment such as a dust mask, non-skid safety shoes, hard hat, or hearing protection used for appropriate conditions will reduce personal injuries.
- **Prevent unintentional starting. Ensure the switch is in the off-position before connecting to power source and/or battery pack, picking up or carrying the tool.** Carrying power tools with your finger on the switch or energizing power tools that have the switch on invites accidents.
- **Remove any adjusting key or wrench before turning the power tool on.** A wrench or a key left attached to a rotating part of the power tool may result in personal injury.
- **Do not overreach. Keep proper footing and balance at all times.** This enables better control of the power tool in unexpected situations.
- **Dress properly. Do not wear loose clothing or jewelry. Keep your hair and clothing away from moving parts.** Loose clothes, jewelry or long hair can be caught in moving parts.
- **If devices are provided for the connection of dust extraction and collection facilities, ensure these are connected and properly used.** Use of dust collection can reduce dust-related hazards.
- **Do not let familiarity gained from frequent use of tools allow you to become complacent and ignore tool safety principles.** A careless action can cause severe injury within a fraction of a second.
- **Do not wear loose clothing or jewelry.** Contain long hair. Loose clothes, jewelry, or long hair can be drawn into air vents.
- **Do not use on a ladder or unstable support.** Stable footing on a solid surface enables better control of the power tool in unexpected situations.

POWER TOOL USE AND CARE

- **Do not force the power tool. Use the correct power tool for your application.** The correct power tool will do the job better and safer at the rate for which it was designed.
- **Do not use the power tool if the switch does not turn it on and off.** Any power tool that cannot be controlled with the switch is dangerous and must be repaired.
- **Disconnect the plug from the power source and/or remove the battery pack, if detachable, from the power tool before making any adjustments, changing accessories, or storing power tools.** Such preventive safety measures reduce the risk of starting the power tool accidentally.
- **Store idle power tools out of the reach of children and do not allow persons unfamiliar with the power tool or**

GENERAL POWER TOOL SAFETY WARNINGS

these instructions to operate the power tool. Power tools are dangerous in the hands of untrained users.

- **Maintain power tools and accessories. Check for misalignment or binding of moving parts, breakage of parts and any other condition that may affect the power tool's operation. If damaged, have the power tool repaired before use.** Many accidents are caused by poorly maintained power tools.
- **Keep cutting tools sharp and clean.** Properly maintained cutting tools with sharp cutting edges are less likely to bind and are easier to control.
- **Use the power tool, accessories and tool bits etc. in accordance with these instructions, taking into**

account the working conditions and the work to be performed. Use of the power tool for operations different from those intended could result in a hazardous situation.

- **Keep handles and grasping surfaces dry, clean and free from oil and grease.** Slippery handles and grasping surfaces do not allow for safe handling and control of the tool in unexpected situations.

SERVICE

- **Have your power tool serviced by a qualified repair person using only identical replacement parts.** This will ensure that the safety of the power tool is maintained.

ROTARY TOOL SAFETY WARNINGS

SAFETY WARNINGS COMMON FOR GRINDING, SANDING, WIRE BRUSHING, POLISHING, CARVING OR ABRASIVE CUTTING-OFF OPERATIONS

- **This power tool is intended to function as a grinder, sander, wire brush, polisher, carving or cut-off tool. Read all safety warnings, instructions, illustrations and specifications provided with this power tool.** Failure to follow all instructions listed below may result in electric shock, fire and/or serious injury.
- **Do not use accessories which are not specifically designed and recommended by the tool manufacturer.** Just because the accessory can be attached to your power tool, it does not assure safe operation.
- **The rated speed of accessories must be at least equal to the operating speed setting marked on the power tool.** Accessories running faster than their rated speed can break and fly apart.
- **The outside diameter and the thickness of your accessory must be within the capacity rating of your power tool.** Incorrectly sized accessories cannot be adequately controlled.
- **The arbour size of wheels, sanding drums or any other accessory must properly fit the spindle or collet of the power tool.** Accessories that do not match the mounting hardware of the power tool will run out of balance, vibrate excessively and may cause loss of control.
- **Mandrel mounted wheels, sanding drums, cutters or other accessories must be fully inserted into the collet or chuck.** If the mandrel is insufficiently held and/or the overhang of the wheel is too long, the mounted wheel may become loose and be ejected at high velocity.

- **Do not use a damaged accessory. Before each use inspect the accessory such as abrasive wheels for chips and cracks, sanding drum for cracks, tear or excess wear, wire brush for loose or cracked wires. If power tool or accessory is dropped, inspect for damage or install an undamaged accessory. After inspecting and installing an accessory, position yourself and bystanders away from the plane of the rotating accessory and run the power tool at maximum no-load speed for one minute.** Damaged accessories will normally break apart during this test time.
- **Wear personal protective equipment. Depending on application, use face shield, safety goggles or safety glasses. As appropriate, wear dust mask, hearing protectors, gloves and workshop apron capable of stopping small abrasive or workpiece fragments.** The eye protection must be capable of stopping flying debris generated by various operations. The dust mask or respirator must be capable of filtering particles generated by your operation. Prolonged exposure to high intensity noise may cause hearing loss.
- **Keep bystanders a safe distance away from work area. Anyone entering the work area must wear personal protective equipment.** Fragments of workpiece or of a broken accessory may fly away and cause injury beyond immediate area of operation.
- **Hold power tool by insulated gripping surfaces only, when performing an operation where the cutting accessory may contact hidden wiring.** Cutting accessory contacting a "live" wire may make exposed metal parts of the power tool "live" and could give the operator an electric shock.
- **Always hold the tool firmly in your hand(s) during the start-up.** The reaction torque of the motor, as it accelerates to full speed, can cause the tool to twist.

ROTARY TOOL SAFETY WARNINGS

- **Use clamps to support workpiece whenever practical. Never hold a small workpiece in one hand and the tool in the other hand while in use.** Clamping a small workpiece allows you to use your hand(s) to control the tool. Round material such as dowel rods, pipes or tubing have a tendency to roll while being cut, and may cause the bit to bind or jump toward you.
- **Position the cord clear of the spinning accessory.** If you lose control, the cord may be cut or snagged and your hand or arm may be pulled into the spinning accessory.
- **Never lay the power tool down until the accessory has come to a complete stop.** The spinning accessory may grab the surface and pull the power tool out of your control.
- **After changing the bits or making any adjustments, make sure the collet nut, chuck or any other adjustment devices are securely tightened.** Loose adjustment devices can unexpectedly shift, causing loss of control, loose rotating components will be violently thrown.
- **Do not run the power tool while carrying it at your side.** Accidental contact with the spinning accessory could snag your clothing, pulling the accessory into your body.
- **Regularly clean the power tool's air vents.** The motor's fan will draw the dust inside the housing and excessive accumulation of powdered metal may cause electrical hazards.
- **Do not operate the power tool near flammable materials.** Sparks could ignite these materials.
- **Do not use accessories that require liquid coolants.** Using water or other liquid coolants may result in electrocution or shock.
- **The maximum recommended diameter of mounted wheels, threaded cones and plugs shall not exceed 2 in. (55 mm) and that the maximum recommended diameter of sanding accessories shall not exceed 3 in. (80 mm).**

KICKBACK AND RELATED WARNINGS

Kickback is a sudden reaction to a pinched or snagged rotating wheel, sanding band, brush or any other accessory. Pinching or snagging causes rapid stalling of the rotating accessory which in turn causes the uncontrolled power tool to be forced in the direction opposite of the accessory's rotation.

For example, if an abrasive wheel is snagged or pinched by the workpiece, the edge of the wheel that is entering into the pinch point can dig into the surface of the material causing the wheel to climb out or kick out. The wheel may either jump toward or away from the operator, depending on direction of the wheel's movement at the point of pinching. Abrasive wheels may also break under these conditions.

Kickback is the result of power tool misuse and/or incorrect operating procedures or conditions and can be avoided by taking proper precautions as given below.

- **Maintain a firm grip on the power tool and position your body and arm to allow you to resist kickback forces.** The operator can control torque reactions or kickback forces, if proper precautions are taken.
- **Use special care when working corners, sharp edges, etc. Avoid bouncing and snagging the accessory.** Corners, sharp edges or bouncing have a tendency to snag the rotating accessory and cause loss of control or kickback.
- **Do not attach a toothed saw blade.** Such blades create frequent kickback and loss of control.
- **Always feed the bit into the material in the same direction as the cutting edge is exiting from the material (which is the same direction as the chips are thrown).** Feeding the tool in the wrong direction causes the cutting edge of the bit to climb out of the work and pull the tool in the direction of this feed.
- **When using rotary files, cut-off wheels, high-speed cutters or tungsten carbide cutters, always have the work securely clamped.** These wheels will grab if they become slightly canted in the groove, and can kickback. When a cut-off wheel grabs, the wheel itself usually breaks. When a rotary file, high-speed cutter or tungsten carbide cutter grabs, it may jump from the groove and you could lose control of the tool.

SAFETY WARNINGS SPECIFIC FOR GRINDING AND ABRASIVE CUTTING-OFF OPERATIONS:

- **Use only wheel types that are recommended for your power tool and only for recommended applications. For example: do not grind with the side of a cut-off wheel.** Abrasive cut-off wheels are intended for peripheral grinding, side forces applied to these wheels may cause them to shatter.
- **For threaded abrasive cones and plugs use only undamaged wheel mandrels with an unrelieved shoulder flange that are of correct size and length.** Proper mandrels will reduce the possibility of breakage.
- **Do not "jam" a cut-off wheel or apply excessive pressure. Do not attempt to make an excessive depth of cut.** Overstressing the wheel increases the loading and susceptibility to twisting or snagging of the wheel in the cut and the possibility of kickback or wheel breakage.
- **Do not position your hand in line with and behind the rotating wheel.** When the wheel, at the point of operation, is moving away from your hand, the possible kickback may propel the spinning wheel and the power tool directly at you.

ROTARY TOOL SAFETY WARNINGS

- **When wheel is pinched, snagged or when interrupting a cut for any reason, switch off the power tool and hold the power tool motionless until the wheel comes to a complete stop. Never attempt to remove the cut-off wheel from the cut while the wheel is in motion otherwise kickback may occur.** Investigate and take corrective action to eliminate the cause of wheel pinching or snagging.
- **Do not restart the cutting operation in the workpiece. Let the wheel reach full speed and carefully re-enter the cut.** The wheel may bind, walk up or kickback if the power tool is restarted in the workpiece.
- **Support panels or any oversized workpiece to minimize the risk of wheel pinching and kickback.** Large workpieces tend to sag under their own weight. Supports must be placed under the workpiece near the line of cut and near the edge of the workpiece on both sides of the wheel.
- **Use extra caution when making a “pocket cut” into existing walls or other blind areas.** The protruding wheel may cut gas or water pipes, electrical wiring or objects that can cause kickback.
- **Always use proper guard with grinding wheel.** A guard protects operator from broken wheel fragments.
- **Know your power tool. Read operator’s manual carefully. Learn its applications and limitations, as well as the specific potential hazards related to this tool.** Following this rule will reduce the risk of electric shock, fire, or serious injury.
- **Always wear eye protection with side shields marked to comply with ANSI Z87.1.** Following this rule will reduce the risk of serious personal injury.
- **Protect your lungs. Wear a face or dust mask if the operation is dusty.** Following this rule will reduce the risk of serious personal injury.
- **Protect your hearing. Wear hearing protection during extended periods of operation.** Following this rule will reduce the risk of serious personal injury.
- **This product is not intended for use with pet grooming, dental work, or any human or veterinarian medical applications.**
- **Keep pets away while operating this tool.**
- **Check damaged parts. Before further use of the tool, a guard or other part that is damaged should be carefully checked to determine that it will operate properly and perform its intended function. Check for alignment of moving parts, binding of moving parts, breakage of parts, mounting, and any other conditions that may affect its operation. A guard or other part that is damaged should be properly repaired or replaced by an authorized service center.** Following this rule will reduce the risk of shock, fire, or serious injury.
- **Inspect for and remove all nails from lumber before using this tool.** Following this rule will reduce the risk of serious personal injury.
- **Do not grind or sand heat flammable materials.** Sparks from the wheel could ignite these materials.
- **This product is not intended for use as a dental drill or in human or veterinary medical applications.** Serious injury may result.
- **When using steel screws, cut-off wheels, high speed cutters, or tungsten carbide cutters, always have the work securely clamped. Never attempt to hold the work with one hand while using any of these accessories.**
- **For organic material, a flex shaft accessory is required. Proper cleaning and sanitizing is required after use. Any material including organic material cut or altered by this tool is not intended nor suitable for human consumption.**
- **Save these instructions.** Refer to them frequently and use them to instruct others who may use this product. If you loan someone this product, loan them these instructions also.

SAFETY WARNINGS SPECIFIC FOR WIRE BRUSHING OPERATIONS:




- **Be aware that wire bristles are thrown by the brush even during ordinary operation. Do not overstress the wires by applying excessive load to the brush.** The wire bristles can easily penetrate light clothing and/or skin.
- **Allow brushes to run at operating speed for at least one minute before using them. During this time no one is to stand in front or in line with the brush.** Loose bristles or wires will be discharged during the run-in time.
- **Direct the discharge of the spinning wire brush away from you.** Small particles and tiny wire fragments may be discharged at high velocity during the use of these brushes and may become imbedded in your skin.

ADDITIONAL SAFETY RULES







- **WARNING - Some dust created by power sanding, sawing, grinding, drilling, and other common rotary tool activities contains chemicals known to cause cancer, birth defects or other reproductive harm.** Some examples of these chemicals are:
 - Lead from lead-based paints,
 - Crystalline silica from bricks and cement and other masonry products, and
 - Arsenic and chromium from chemically treated lumber.Your risk from these exposures varies, depending on how often you do this type of work. To reduce your exposure to these chemicals: work in a well ventilated area, and work with approved safety equipment, such as those dust masks that are specially designed to filter out microscopic particles.

SYMBOLS

The following signal words and meanings are intended to explain the levels of risk associated with this product.

SYMBOL	SIGNAL	MEANING
	DANGER:	Indicates an imminently hazardous situation, which, if not avoided, will result in death or serious injury.
	WARNING:	Indicates a potentially hazardous situation, which, if not avoided, could result in death or serious injury.
	CAUTION:	Indicates a potentially hazardous situation, which, if not avoided, may result in minor or moderate injury.
	CAUTION:	(Without Safety Alert Symbol) Indicates a situation that may result in property damage.

Some of the following symbols may be used on this product. Please study them and learn their meaning. Proper interpretation of these symbols will allow you to operate the product better and safer.

SYMBOL	NAME	DESIGNATION/EXPLANATION
	Safety Alert	Indicates a potential personal injury hazard.
	Read Operator's Manual	To reduce the risk of injury, user must read and understand operator's manual before using this product.
	Eye and Breathing Protection	Always wear eye protection with side shields marked to comply with ANSI Z87.1. Breathing protection may also be required depending on the type of attachment used and as prescribed elsewhere in this Operator's Manual.
	Wet Conditions Alert	Do not expose to rain or use in damp locations.
	Long Hair	Secure long hair above shoulder level to prevent entanglement in moving parts.
V	Volts	Voltage
A	Amperes	Current
Hz	Hertz	Frequency (cycles per second)
min	Minutes	Time
~	Alternating Current	Type of current
n ₀	No Load Speed	Rotational speed, at no load
	Class II Construction	Double-insulated construction
.../min	Per Minute	Revolutions, strokes, surface speed, orbits etc., per minute

ELECTRICAL

DOUBLE INSULATION

Double insulation is a concept in safety in electric power tools, which eliminates the need for the usual three-wire grounded power cord. All exposed metal parts are isolated from the internal metal motor components with protecting insulation. Double insulated tools do not need to be grounded.

WARNING:

The double insulated system is intended to protect the user from shock resulting from a break in the tool's internal insulation. Observe all normal safety precautions to avoid electrical shock.

NOTE: Servicing of a product with double insulation requires extreme care and knowledge of the system and should be performed only by a qualified service technician. For service, we suggest you return the product to your nearest authorized service center for repair. Always use original factory replacement parts when servicing.

ELECTRICAL CONNECTION

This product has a precision-built electric motor. It should be connected to a **power supply that is 120 volts, AC only (normal household current), 60 Hz.** Do not operate this product on direct current (DC). A substantial voltage drop will cause a loss of power and the motor will overheat. If the product does not operate when plugged into an outlet, double-check the power supply.

EXTENSION CORDS

When using a power tool at a considerable distance from a power source, be sure to use an extension cord that has the capacity to handle the current the product will draw. An undersized cord will cause a drop in line voltage, resulting in overheating and loss of power. Use the chart to determine the minimum wire size required in an extension cord. Only round jacketed cords listed by Underwriter's Laboratories (UL) should be used.

When working outdoors with a product, use an extension cord that is designed for outside use. This type of cord is designated with "W-A" or "W" on the cord's jacket.

Before using any extension cord, inspect it for loose or exposed wires and cut or worn insulation.

**Ampere rating (on product data plate)

Cord Length	Wire Size (A.W.G.)					
	0-2.0	2.1-3.4	3.5-5.0	5.1-7.0	7.1-12.0	12.1-16.0
25'	16	16	16	16	14	14
50'	16	16	16	14	14	12
100'	16	16	14	12	10	—

**Used on 12 gauge - 20 amp circuit.

NOTE: AWG = American Wire Gauge

WARNING:

Keep the extension cord clear of the working area. Position the cord so that it will not get caught on lumber, tools, or other obstructions while you are working with a power tool. Failure to do so can result in serious personal injury.

WARNING:

Check extension cords before each use. If damaged replace immediately. Never use the product with a damaged cord since touching the damaged area could cause electrical shock resulting in serious injury.

FEATURES

PRODUCT SPECIFICATIONS

Quick-change collet 1/8 in. Universal Input 120 V, 60 Hz, AC only, 1.2 Amps
Rated Speed 5,000 - 35,000/min. (RPM)

KNOW YOUR ROTARY TOOL

See Figure 1, page 15.

The safe use of this product requires an understanding of the information on the product and in this operator's manual as well as a knowledge of the project you are attempting. Before use of this product, familiarize yourself with all operating features and safety rules.

ON/OFF SWITCH

This product has an easy access power switch located on the top of the product.

SPEED CONTROL DIAL

The speed control dial allows you to easily select tool speed.

SPINDLE LOCK

The spindle lock allows you to secure the collet when changing accessories.

TOOL HANGER

The tool hanger provides a convenient place to hang the rotary tool while using a flex shaft (not included).

ASSEMBLY

WARNING:

Do not use this product if it is not completely assembled or if any parts appear to be missing or damaged. Use of a product that is not properly and completely assembled or with damaged or missing parts could result in serious personal injury.

WARNING:

Do not attempt to modify this product or create accessories or attachments not recommended for use with this product. Any such alteration or modification is misuse and could result in a hazardous condition leading to possible serious personal injury.

If any parts are damaged or missing, please call 1-800-525-2579 for assistance.

OPERATION

WARNING:

Do not allow familiarity with products to make you careless. Remember that a careless fraction of a second is sufficient to inflict serious injury.

WARNING:

Always wear eye protection with side shields marked to comply with ANSI Z87.1. Failure to do so could result in objects being thrown into your eyes resulting in possible serious injury.

WARNING:

Do not use any attachments or accessories not recommended by the manufacturer of this product. The use of attachments or accessories not recommended can result in serious personal injury.

APPLICATIONS

You may use this product for the purposes listed below:

- Carving, engraving, etching, polishing, cleaning, removing rust, sanding, cutting, grinding, sharpening, drilling, and routing

QUICK-CHANGE COLLET

See Figure 2, page 15.

NOTE: The tool ships with a preinstalled collet that is machined to precision tolerances to fit accessories with 1/8 in. diameter shanks. When installed, the quick change collet allows the user to change accessories without tools and without removing the collet from the shaft. The quick change collet is not compatible with 1/16 in. shanks.

To remove/install the quick change collet:

- Unplug the rotary tool.
- Depress and hold the spindle lock button and rotate the shaft by hand until the spindle lock engages the shaft, preventing further rotation.
- With the spindle lock engaged, place the included 3/8 in. wrench on the bottom threaded end of the quick-change collet and turn counterclockwise to loosen. Continue turning counterclockwise to remove the collet from the tool.
- Remove the quick-change collet.
- **To install**, engage the spindle lock. Place the quick-change collet on the shaft and begin threading on by hand until there is resistance. Then use the included 3/8 in. wrench on the bottom threaded end of the collet and rotate clockwise until tightly secured.

WARNING:

Always use the collet which matches the shank size of the accessory you plan to use. Never force a large diameter shank into a collet. The accessory should fit smoothly into the collet, but you should be able to tighten the accessory firmly and securely with the quick-change collet.

CAUTION:

To prevent damage to the spindle or spindle lock, always allow motor to come to a complete stop before engaging the spindle lock.

INSTALLING/REMOVING ACCESSORIES

See Figures 3 - 4, page 15.

To install:

- Unplug the rotary tool.
- Choose an accessory that fits the collet and is suitable for the application you are attempting.
- Ensure the quick-change collet is securely installed on the shaft.
- While depressing the spindle lock, use your hand to loosen the collet by rotating the sleeve counterclockwise.
- Insert the shank of the accessory into the collet until the shank bottoms out, then pull it out 1/16 in. to allow for expansion when the accessory gets hot.
- Rotate the collet sleeve clockwise until clicking stops and the accessory shank is gripped by the collet.

NOTE: If sleeve cannot be tightened or loosened sufficiently by hand, use the included 3/8 in. collet wrench on the top hexed area of the collet. Turn clockwise to tighten or counterclockwise to loosen.

To remove:

- Unplug the rotary tool.
 - Engage the spindle lock.
 - Turn the collet sleeve counterclockwise to loosen.
 - Remove the accessory.
- NOTE:** When trying to remove an accessory, if the quick-change collet begins to unthread from the tool, repeat the install process.

OPERATION

USING MANDRELS

See Figure 5, page 15.

The most common types of mandrel to use with with this tool are the standard mandrel which is used with cut-off discs, grinding wheels, emery wheels, and cut-off wheels. Screw mandrels are used with polishing wheels and polishing drums. Drum mandrel are used with sanding drums.

To install:

- Unplug the rotary tool.
- Install the mandrel.

If using the standard mandrel:

- Depress and hold the spindle lock.
- Insert the slot end of the provided wrench into the slot on top of the mandrel and unscrew.
- Remove mandrel screw and washer.
- Place desired accessory over mandrel shaft and align accessory hole with mandrel hole.
- Insert mandrel screw with washer through the accessory and mandrel shaft holes.

NOTE: The mandrel washer should be placed between the mandrel screw and the accessory.

- Tighten using provided wrench.

If using the screw mandrel:

- Align desired accessory hole with mandrel screw head.
- Screw accessory onto mandrel by twisting clockwise until secure.

If using the drum mandrel:

- Align appropriate sized sanding drum over mandrel and push down to completely cover drum end of mandrel.

NOTE: If necessary, tighten the screw on the drum mandrel head to expand the drum and securely hold the sanding drum in place.

BALANCING ACCESSORIES

For precision work, it is important that all accessories be properly balanced. To balance an accessory, slightly loosen the quick-change collet and give the accessory or collet a 1/4 in. turn. You should be able to tell by the sound and feel if the accessory is running in balance. Continue adjusting in this fashion until the best balance is achieved. Replace accessories if they become damaged or unbalanced.

INSTALLING AN ATTACHMENT HEAD TO THE ROTARY TOOL

See Figure 6, page 16.

WARNING:

Read and understand entire Operator's Manual for each optional attachment head used on this rotary tool and follow all warnings and instructions. Failure to follow all instructions could result in electric shock, fire and/or serious personal injury.

WARNING:

This rotary tool is designed to be used only with the attachment head models that are specified in this Operator's Manual. Use of other attachment heads could cause serious personal injuries or property damage.

WARNING:

Never install, remove, or adjust any attachment head while rotary tool is running. Failure to stop the motor can cause serious personal injury. Never operate rotary tool without an attachment head or the collar installed.

This rotary tool may be used with only the following RYOBI attachment heads:

- A90PG01 45 Degree Platform Guide
- A90PG02 90 Degree Platform Guide
- A90SG01 Chainsaw Sharpening Guide
- A90SG02 Mower Blade Sharpening Guide
- A90GG01 Grout Removal Guide
- A90DS01 Debris Shield Attachment
- A90CG01 Cutting Guide
- A90FS01 Flexible Shaft Attachment

To install an attachment head:

- Unplug the rotary tool.
- Remove accessories and quick-change collet.
- Hold the collar firmly, then turn it counterclockwise to loosen and remove.
- Follow the instructions in the RYOBI attachment head operator's manual to install the attachment head.

To remove an attachment head:

- Unplug the rotary tool.
- Remove accessories and quick-change collet.
- Follow the instructions in the RYOBI attachment head operator's manual to install the attachment head.
- Reinstall the collar or install another attachment head.

OPERATION

TURNING THE ROTARY TOOL ON/OFF

See Figure 7, page 16.

- To turn the tool **ON**: push the ON/OFF (I/O) switch to the ON (1) position.
- To turn the tool **OFF**: push the ON/OFF (I/O) switch to the OFF (0) position.

SELECTING THE RIGHT SPEED

See Figures 7 - 8, page 16.

The rotary tool has a speed range of 5,000 to 35,000/min RPM. To select the right speed for each job, use a practice piece of material. Vary speed to find the best speed for the accessory you are using and the job to be done.

Use the indicator mark above the speed control dial to set the best speed for the job. The speed control dial is numbered 1 to 3. The speeds for each setting are:

- Speed (1).....5,000 RPM
- Speed (2).....15,000 RPM
- Speed (3).....35,000 RPM

Refer to the **Application Speed Recommendations** table to determine the proper speed based on the material being worked and the type of accessory being used.

SLOWER SPEEDS

Certain materials, some plastics for example, require a relatively slow speed because the friction of the tool generates heat and causes the plastic to melt at high speed.

Slow speeds (15,000 RPM or less) are usually best for polishing operations using the polishing accessories. They may also be best for working on delicate projects, delicate wood carving, and fragile model parts.

Higher speeds are better for carving, cutting, and shaping wood.

Hardwoods, metals, and glass require high speed operation. Drilling should also be done at high speeds.

To determine the optimum operational speed for different materials and accessories, refer to the **Application Speed Recommendations** table, on the next page. Look this table over and become familiar with it.

The best way to determine the correct speed for work on any material is to practice for a few minutes on a piece of scrap, even after referring to the table. You can quickly learn that a slower or faster speed is more effective just by observing what happens when you make a pass or two at

APPLICATION SPEED RECOMMENDATIONS*								
Type of Accessory	Soft Wood	Hard Wood	Laminates Plastics	Steel	Aluminum, Brass, Etc.	Shell/Stone	Ceramic	Glass
Cut-off Discs	15-35K	15-35K	5-15K	35K	35K	N/A	N/A	N/A
Fiberglass Cut-off Wheel	15-35K	15-35K	5-15K	35K	35K	N/A	N/A	N/A
Sanding Drums	15-35K	15-35K	5-15K	15-35K	15-35K	15-35K	N/A	N/A
Felt Polishing Wheels	5-15K	5-15K	5-15K	5-15K	5-15K	5-15K	5-15K	5-15K
Aluminum Oxide Grinding Stones	15-35K	15-35K	5-15K	15-35K	15-35K	N/A	N/A	N/A
Silicon Carbide Grinding Stone	N/A	N/A	N/A	15-35K	15-35K	15-35K	5-35K	N/A
Drill Bit	35K	35K	15-35K	35K	35K	—	—	—
Drywall Cutting Bit	35K (Drywall only)							

*The settings provided in the chart are recommendations for operating ranges for best performance.

OPERATION

different speeds.

When working with a scrap piece of plastic, start at a slow rate of speed and increase the speed until you observe whether the plastic is melting at the point of contact; reduce the speed slightly to get optimum working speed without melting the workpiece.

NOTE:

- Plastic and materials that could melt at low temperatures should be cut at low speeds.
- Soft wood should be cut at high speed.
- Aluminum, tin, and copper, lead, and zinc alloys may be cut at any speed, depending on the type of cutting being done. Use paraffin or other suitable lubricant on the cutter to prevent the cut material from adhering to the cutter teeth.

OPERATING THE ROTARY TOOL

See Figures 9 - 10, page 16.

Learning to use the rotary tool:

- Hold the tool in your hand and get used to its weight, balance, and the taper of the housing. This taper permits the tool to be grasped in a “pencil grip” or a “golf grip” method.
- Examine the rotary tool accessories carefully. Damaged accessories can fly apart as they come up to speed and

should not be used. The use of damaged accessories can result in serious personal injury.

- Practice on scrap materials first to see how the tool operates. Keep in mind that the work is done by the speed of the tool and by the accessory in the collet. You should not lean on or push the tool into the work.

It is best to make a series of passes with the tool rather than attempt to do all the work in one pass. To make a cut, pass the tool back and forth over the work like you would a small paint brush. Cut a little material on each pass until you reach the desired depth. For most work, a gentle touch is best; you will have greater control, make fewer errors, and get the most efficient work out of the accessory.

For the best control in close work, grip the tool like a pencil between your thumb and forefinger.

A “golf grip” method of holding the tool is used for operations such as grinding a flat surface.

To operate the rotary tool:

- Secure all work in a vise or clamp to a workbench to prevent it from moving under the tool.
- Hold the tool in front and away from you, keeping the tool accessory clear of the workpiece.
- Turn on the tool and let the motor and accessory build up to full speed.
- Lower the tool gradually until the accessory contacts the workpiece.
- Move the tool continuously at a steady, consistent pace.
- Use just enough pressure to keep the tool from chattering or bouncing.

NOTE: Heavy pressure will decrease the tool’s speed and put a strain on the motor. The weight of the tool alone is adequate for most jobs.

- Lift the tool away from the workpiece before turning off the tool.

MAINTENANCE

WARNING:

When servicing, use only identical replacement parts. Use of any other parts may create a hazard or cause product damage.

WARNING:

Always wear eye protection with side shields marked to comply with ANSI Z87.1. Failure to do so could result in objects being thrown into your eyes resulting in possible serious injury.

GENERAL MAINTENANCE

Avoid using solvents when cleaning plastic parts. Most plastics are susceptible to damage from various types of commercial solvents and may be damaged by their use. Use clean cloths to remove dirt, dust, oil, grease, etc.

WARNING:

Do not at any time let brake fluids, gasoline, petroleum-based products, penetrating oils, etc., come in contact with plastic parts. Chemicals can damage, weaken, or destroy plastic which may result in serious personal injury.

Electric tools used on fiberglass material, wallboard, spackling compounds, or plaster are subject to accelerated wear and possible premature failure because the fiberglass chips and grindings are highly abrasive to bearings, brushes, commutators, etc. Consequently, we do not recommend using this product for extended work on these types of materials. However, if you do work with any of these materials, it is extremely important to clean the product using compressed air.

LUBRICATION

All of the bearings in this product are lubricated with a sufficient amount of high grade lubricant for the life of the unit under normal operating conditions. Therefore, no further lubrication is required.

POWER SUPPLY CORD REPLACEMENT

If replacement of the power supply cord is necessary, this must be done by an authorized service center in order to avoid a safety hazard.

NOTE: FIGURES (ILLUSTRATIONS) START ON PAGE 15 AFTER FRENCH AND SPANISH LANGUAGE SECTIONS.

RÈGLES DE SÉCURITÉ GÉNÉRALES RELATIVES AUX OUTILS ÉLECTRIQUES

AVERTISSEMENT :

Lire les avertissements de sécurité, les instructions et les précisions et consulter les illustrations fournis avec cet outil électrique. Le fait de ne pas se conformer à l'ensemble des consignes présentées ci-dessous risque d'entraîner des décharges électriques, un incendie et/ou des blessures graves.

Conserver les avertissements et les instructions à des fins de référence ultérieure. Le terme « outil électrique », utilisé dans tous les avertissements ci-dessous désigne tout outil fonctionnant sur secteur (câblé) ou sur piles (sans fil).

SÉCURITÉ DU LIEU DE TRAVAIL

- **Garder le lieu de travail propre et bien éclairé.** Les endroits encombrés ou sombres sont propices aux accidents.
- **Ne pas utiliser d'outils électriques dans des atmosphères explosives, par exemple en présence de liquides, gaz ou poussières inflammables.** Les outils électriques produisent des étincelles risquant d'enflammer les poussières ou vapeurs.
- **Garder les enfants et badauds à l'écart pendant l'utilisation d'un outil électrique.** Les distractions peuvent causer une perte de contrôle.

SÉCURITÉ ÉLECTRIQUE

- **Les fiches des outils électriques doivent correspondre à la prise secteur utilisée. Ne jamais modifier la fiche, de quelque façon que ce soit. Ne jamais utiliser d'adaptateurs de fiche avec des outils mis à la terre.** Les fiches et prises non modifiées réduisent le risque de choc électrique.
- **Éviter tout contact du corps avec des surfaces mises à la terre, telles que tuyaux, radiateurs, cuisinières et réfrigérateurs.** Le risque de choc électrique est accru lorsque le corps est mis à la terre.
- **Ne pas exposer les outils électriques à l'eau ou l'humidité.** La pénétration d'eau dans ces outils accroît le risque de choc électrique.
- **Ne pas maltraiter le cordon d'alimentation. Ne jamais utiliser le cordon d'alimentation pour transporter l'outil et ne jamais débrancher ce dernier en tirant sur le cordon. Garder le cordon à l'écart de la chaleur, de l'huile, des objets tranchants et des pièces en mouvement.** Un cordon endommagé ou emmêlé accroît le risque de choc électrique.
- **Pour les travaux à l'extérieur, utiliser un cordon spécialement conçu à cet effet.** Utiliser un cordon conçu pour l'usage extérieur pour réduire les risques de choc électrique.

- **S'il est nécessaire d'utiliser l'outil électrique dans un endroit humide, employer un dispositif interrupteur de défaut à la terre (GFCI).** L'utilisation d'un GFCI réduit le risque de décharge électrique.

SÉCURITÉ PERSONNELLE

- **Rester attentif, prêter attention au travail et faire preuve de bon sens lors de l'utilisation de tout outil électrique. Ne pas utiliser cet outil en état de fatigue ou sous l'influence de l'alcool, de drogues ou de médicaments.** Un moment d'inattention pendant l'utilisation d'un outil électrique peut entraîner des blessures graves.
- **Utiliser l'équipement de sécurité. Toujours porter une protection oculaire.** L'équipement de sécurité, tel qu'un masque filtrant, de chaussures de sécurité, d'un casque ou d'une protection auditive, utilisé dans des conditions appropriées réduira le risque de blessures.
- **Éviter les démarrages accidentels. S'assurer que le commutateur est en position d'arrêt avant de brancher l'outil.** Porter un outil avec le doigt sur son commutateur ou brancher un outil dont le commutateur est en position de marche peut causer un accident.
- **Retirer les clés de réglage avant de mettre l'outil en marche.** Une clé laissée sur une pièce rotative de l'outil peut causer des blessures.
- **Ne pas travailler hors de portée. Toujours se tenir bien campé et en équilibre.** Ceci permettra de mieux contrôler l'outil en cas de situation imprévue.
- **Porter une tenue appropriée. Ne porter ni vêtements amples, ni bijoux. Garder les cheveux et les vêtements à l'écart des pièces en mouvement.** Les vêtements amples, bijoux et cheveux longs peuvent se prendre dans les pièces en mouvement.
- **Si les outils sont équipés de dispositifs de dépoussiérage, s'assurer qu'ils sont connectés et correctement utilisés.** L'usage de ces dispositifs de dépoussiérage peut réduire les dangers présentés par la poussière.
- **Malgré votre expérience acquise par l'utilisation fréquente des outils, soyez toujours vigilant et respectez les principes de sécurité relatifs aux outils.** Il s'agit d'une fraction de seconde pour qu'un geste irréfléchi puisse causer de graves blessures.
- **Ne porter ni vêtements amples, ni bijoux. Attacher ou couvrir les cheveux longs.** Les vêtements amples, bijoux et cheveux longs peuvent se prendre dans les ouïes d'aération.
- **Ne pas utiliser l'outil sur une échelle ou un support instable.** Une bonne tenue et un bon équilibre permettent de mieux contrôler l'outil en cas de situation imprévue.

RÈGLES DE SÉCURITÉ GÉNÉRALES RELATIVES AUX OUTILS ÉLECTRIQUES

UTILISATION ET ENTRETIEN DES OUTILS ÉLECTRIQUES

- **Ne pas forcer l'outil. Utiliser l'outil approprié pour l'application.** Un outil approprié exécutera le travail mieux et de façon moins dangereuse s'il est utilisé dans les limites prévues.
- **Ne pas utiliser l'outil si le commutateur ne permet pas de le mettre en marche ou de l'arrêter.** Tout outil qui ne peut pas être contrôlé par son commutateur est dangereux et doit être réparé.
- **Débrancher l'outil et/ou retirer le bloc-piles avant d'effectuer des réglages, de changer d'accessoire ou de remiser l'outil.** Ces mesures de sécurité préventives réduisent les risques de démarrage accidentel de l'outil.
- **Ranger les outils motorisés hors de la portée des enfants et ne laisser personne n'étant pas familiarisé avec l'outil ou ces instructions utiliser l'outil.** Dans les mains de personnes n'ayant pas reçu des instructions adéquates, les outils sont dangereux.
- **Entretien des outils motorisés. Vérifier qu'aucune pièce mobile n'est mal alignée ou bloquée, qu'aucune pièce n'est brisée et s'assurer qu'aucun autre problème ne risque d'affecter le bon fonctionnement**

de l'outil. En cas de dommages faire réparer l'outil avant de l'utiliser de nouveau. Beaucoup d'accidents sont causés par des outils mal entretenus.

- **Garder les outils bien affûtés et propres.** Des outils correctement entretenus et dont les tranchants sont bien affûtés risquent moins de se bloquer et sont plus faciles à contrôler.
- **Utiliser l'outil, les accessoires et embouts, etc. conformément à ces instructions pour les applications pour lesquelles ils sont conçus, en tenant compte des conditions et du type de travail à exécuter.** L'usage d'un outil motorisé pour des applications pour lesquelles il n'est pas conçu peut être dangereux.
- **Gardez les poignées et les surfaces de prise sèches, propres et exemptes d'huile et de graisse.** Des poignées et des surfaces de prise glissantes empêchent la manipulation et le contrôle sécuritaires de l'outil dans des circonstances imprévues.

DÉPANNAGE

- **Les réparations doivent être confiées à un technicien qualifié, utilisant exclusivement des pièces identiques à celles d'origine.** Ceci assurera le maintien de la sécurité de l'outil.

AVERTISSEMENTS DE SÉCURITÉ RELATIFS DE L'OUTIL ROTATIF

RÈGLES DE SÉCURITÉ GÉNÉRALES POUR LE MEULAGE, PONÇAGE, BROSSAGE MÉTALLIQUE, POLISSAGE DES PIÈCES, LE GRAVER OU TRONÇONNAGE À LA MEULE

- **Cet outil électrique est conçu pour servir de meuleuse, de ponceuse, de brosse métallique, de polisseuse, de d'outil à ciseler ou d'outil tronçonnage. Consulter tous les avertissements et toutes les instructions, les illustrations et les précisions fournis avec cet outil électrique.** Ne pas suivre l'ensemble des instructions décrites ci-dessous peut entraîner une électrocution, un incendie ou des blessures graves.
- **Ne pas utiliser des accessoires qui ne sont pas spécialement conçus pour le modèle d'outil ou qui ne sont pas recommandés par le fabricant.** Le simple fait qu'un accessoire peut s'ajuster sur l'outil électrique ne signifie pas qu'il peut être utilisé en toute sécurité.
- **La vitesse nominale des accessoires doit au moins être égale à la vitesse d'opération indiquée sur l'outil électrique.** Les accessoires qui sont utilisés à une vitesse

supérieure à leur vitesse nominale peuvent se briser et se détacher.

- **Le diamètre extérieur et l'épaisseur de l'accessoire doivent être conformes à la capacité de l'outil électrique.** Il est impossible de contrôler adéquatement un accessoire de dimension inappropriée.
- **La taille de l'axe des disques, des tambours de ponçage ou de tout autre accessoire doit correctement correspondre à la broche ou la douille de l'outil électrique.** Si les accessoires utilisés sont dotés d'alésages centraux qui ne conviennent pas à la pièce de montage de l'outil, ils se déstabiliseront, vibreront de façon excessive et pourront causer une perte de contrôle.
- **Le porte-outil monté sur disques, les tambours de ponçage, couteaux et autres accessoires doivent être insérés complètement sur le collet ou le mandrin.** Si le mandrin est insuffisamment retenu ou si l'élancement du disque est trop long, le disque monté peut se desserrer et s'éjecter à grande vitesse.
- **Ne pas utiliser un accessoire endommagé. Inspecter l'accessoire avant chaque utilisation afin de s'assurer**

AVERTISSEMENTS DE SÉCURITÉ RELATIFS DE L'OUTIL ROTATIF

que les meules, par exemple, sont exemptes d'ébréchures et de fissures, que le tambour de ponçage est exempt de fissures et qu'il n'est pas usé de façon excessive, et que la brosse métallique ne comprend pas de fils détachés ou craquelés. Si l'outil électrique ou l'accessoire est échappé, s'assurer qu'il n'est pas endommagé ou installer un autre accessoire. Après avoir effectué cette opération, se tenir à distance de l'accessoire en rotation et faire fonctionner l'outil à sa vitesse à vide maximale pendant une minute. S'assurer que personne ne se tient à proximité de l'outil. Les accessoires endommagés se brisent généralement lors de cette vérification.

- **Porter de l'équipement de protection individuelle.** Selon le type d'opération, porter un masque de protection ou des lunettes de sécurité. Au besoin, porter également un masque antipoussières, un protecteur d'oreille, des gants et un tablier d'atelier résistant aux petits fragments abrasifs ou aux fragments provenant des pièces à travailler. La protection oculaire utilisée doit résister aux débris projetés lors des différentes opérations. La protection oculaire utilisée doit résister aux débris projetés lors des différentes opérations. Le masque anti-poussières et le masque filtrant doivent filtrer les particules produites lors de l'opération. Une exposition prolongée à un bruit fort peut entraîner une perte auditive.
- **S'assurer que personne ne se tient à proximité du lieu de travail. Toute personne qui entre sur le lieu de travail doit porter l'équipement de protection requis.** Des fragments provenant de la pièce à travailler ou d'un accessoire brisé peuvent être projetés et causer des blessures, même à des personnes se tenant à une certaine distance du lieu de travail immédiat.
- **Tenir l'outil par ses surfaces de préhension isolées lors des opérations pendant lesquelles l'accessoire de coupe peut entrer en contact avec du câblage caché.** Le contact d'un accessoire de coupe avec un fil sous tension « électrifié » les pièces métalliques exposées de l'outil et could give the operator an electric shock.
- **Toujours tenir fermement l'outil dans vos mains lors du démarrage.** Le couple de réaction du moteur, lorsque ce dernier accélère jusqu'à pleine vitesse, peut faire tourner l'outil.
- **Utiliser des pinces pour soutenir la pièce à travailler dans la mesure du possible. Quand l'outil est utilisé, ne jamais tenir une petite pièce à travailler dans une main et l'outil dans l'autre main.** Maintenir une petite pièce à travailler avec des pinces vous permet de contrôler l'outil les mains libres. Les matériaux ronds, tels que les goujons, les tuyaux ou les tubes, ont tendance à rouler lors de la découpe et l'embout peut alors se plier ou sauter vers vous.

- **Tenir le cordon loin de l'accessoire en rotation.** En cas de perte de contrôle, le cordon peut être coupé ou accroché, et la main ou le bras de l'utilisateur risquent d'entrer en contact avec l'accessoire en rotation.
- **Ne jamais déposer l'outil électrique avant l'arrêt complet de l'accessoire.** L'accessoire en rotation peut attraper la surface et occasionner une perte de contrôle.
- **Après un changement d'embout ou tout ajustement, vérifier que l'écrou de douille, le mandrin ou tout autre dispositif de réglage est bien serré.** Les dispositifs de réglage desserrés peuvent bouger soudainement, provoquant ainsi une perte de contrôle et les composants en rotations seront lancés violemment.
- **Ne jamais laisser l'outil électrique fonctionner en le transportant à ses côtés.** L'accessoire en rotation peut s'accrocher accidentellement aux vêtements et entrer en contact avec l'utilisateur.
- **Nettoyer régulièrement les événements d'aération de l'outil électrique.** Le ventilateur du moteur aspire la poussière dans le logement et crée une accumulation excessive de métal fritté, ce qui peut causer un danger électrique.
- **Ne pas faire fonctionner l'outil électrique à proximité de matériaux inflammables.** Les étincelles peuvent enflammer ces matériaux.
- **Ne pas utiliser d'accessoires qui nécessitent des liquide de refroidissement.** L'utilisation d'eau ou d'un autre liquide de refroidissement peut entraîner une électrocution ou un choc électrique.
- **Le diamètre maximal recommandé pour les meules sur tige, les cônes filetés et les bouchons ne doit pas dépasser 55 mm (2,16 po) et le diamètre maximal recommandé pour les accessoires de ponçage ne doit pas dépasser 80 mm (3,14 po).**

REBONDS ET AVERTISSEMENTS CONNEXES

Un rebond est une réaction soudaine attribuable au pincement ou à l'accrochage de la meule, une bande de ponçage, de la brosse ou de tout autre accessoire en rotation. Un pincement ou un accrochage provoque le blocage immédiat de l'accessoire en rotation qui, à son tour, entraîne l'outil incontrôlé dans le sens opposé à la rotation de l'accessoire.

Par exemple, si une meule abrasive est accrochée ou pincée par la pièce à travailler, le rebord de la meule qui entre dans le point de pincement peut s'enfoncer dans la surface du matériau, éjectant la meule de la pièce à travailler ou la faisant rebondir, vers l'utilisateur ou loin de lui, selon le sens du mouvement de la meule au point de pincement. Dans ces conditions d'utilisation, les meules abrasives peuvent également se briser.

Un rebond est attribuable à une mauvaise utilisation de l'outil ou au non-respect des procédures ou des conditions

AVERTISSEMENTS DE SÉCURITÉ RELATIFS DE L'OUTIL ROTATIF

d'utilisation. Pour empêcher les rebonds, respecter les directives décrites ci dessous.

- **Tenir fermement l'outil électrique et placer le corps et les mains de manière à pouvoir résister aux rebonds. L'utilisateur peut contrôler les rebonds et les réactions de couple s'il respecte les directives prescrites.**
- **Faire preuve d'une extrême prudence au moment d'utiliser l'outil sur des coins ou des rebords tranchants. Éviter les rebonds et la formation d'accroc à l'accessoire.** Les coins, les rebords tranchants et les surfaces qui tressautent ont tendance à s'accrocher à la pièce en rotation et à causer une perte de contrôle ou des rebonds.
- **Ne pas fixer une lame de scie dentée.** Ces deux types de lame occasionnent de nombreux rebonds et des pertes de contrôle fréquentes.
- **Toujours introduire l'embout dans le matériau selon le sens dans lequel le tranchant sort du matériau (ce qui correspond au sens de rejet des copeaux).** Introduire l'outil dans le mauvais sens éjecte le tranchant de l'embout hors de la pièce à travailler et pousse l'outil dans le sens introduit.
- **Toujours sécuriser la pièce à travailler avec des pinces en cas d'utilisation de limeuses fraiseuses rotatives, de meules à tronçonner, de couteaux à grande vitesse ou de couteaux au carbure à tungstène.** Ces disques s'agripperont si elles s'inclinent légèrement dans la rainure et peuvent rebondir. Quand une meule à tronçonner s'agrippe, elle se casse habituellement. Quand une limeuse fraiseuse rotative, un couteau à grande vitesse ou un couteau au carbure à tungstène s'agrippe, l'outil saute de la rainure et il est possible de perdre le contrôle de l'outil.

AVERTISSEMENTS DE SÉCURITÉ PARTICULIERS POUR LES OPÉRATIONS DE MEULAGE OU DE TRONÇONNAGE :

- **Utiliser seulement les TYPES DE MEULE recommandés pour cet outil électrique et uniquement pour les applications recommandées. Par exemple, ne pas meuler avec le côté d'une meule à tronçonner.** Seule la périphérie des meules à tronçonner abrasives doit être utilisée pour le meulage. Le fait d'appliquer une force latérale sur ces meules peut provoquer leur éclatement.
- **Pour les cônes et bouchons abrasifs filetés, utiliser seulement des mandrins de disque non endommagés dotés d'une bride d'épaulement non dégagée et ayant la bonne taille et la bonne longueur.** Un mandrin adéquat réduira le risque de brisure.
- **S'assurer que la meule à tronçonner ne se coince pas et éviter d'appliquer une pression excessive. Éviter de tronçonner sur une profondeur excessive.** Une surcharge sur la meule augmente le collage, la tendance

à la torsion ou au coincement de la meule pendant la coupe et les risques de rebond ou de bris de la meule.

- **Ne pas aligner la main devant et derrière la meule en rotation.** Lorsque la meule, au point d'utilisation, se déplace en direction opposée de votre main, le rebond possible peut propulser la meule qui tourne et l'outil électrique directement sur vous.
- **Si la meule se coince ou si l'opération de coupe est interrompue pour une raison quelconque, éteindre l'outil électrique et le maintenir immobile jusqu'à ce que la meule s'arrête complètement. Ne jamais tenter de retirer la meule de la pièce tronçonnée tant que la meule tourne pour éviter le rebond.** Déterminer et résoudre la cause du coincement de la meule.
- **Ne pas reprendre le tronçonnage directement sur la pièce à travailler. Permettre à la meule d'atteindre sa vitesse maximale puis la réinsérer soigneusement dans le trait de coupe.** La meule risque de se coincer, de se soulever ou de rebondir si cette précaution n'est pas prise.
- **Soutenir les panneaux et toute pièce à travailler surdimensionnée afin de minimiser les risques de pincement et de rebond de la meule.** Les pièces à travailler de grandes dimensions ont tendance à fléchir sous leur propre poids. Il importe donc de disposer des supports sous la pièce à travailler, près du trait de coupe et au bord de la pièce à travailler, des deux côtés de la meule.
- **Redoubler de prudence lors de la découpe d'évidements dans des cloisons ou autres endroits sans visibilité arrière.** La partie en saillie de la meule peut couper les conduites d'eau ou de gaz, le câblage électrique et tout autre objet pouvant provoquer un rebond.

RÈGLES DE SÉCURITÉ PARTICULIÈRES POUR OPÉRATIONS DE LA BROSSE MÉTALLIQUE :

- **Porter une attention particulière à la brosse métallique, dont les poils peuvent être projetés même pendant une opération régulière. Éviter de surcharger les poils en appuyant sur la brosse de manière excessive.** Les poils de la brosse métallique peuvent pénétrer facilement dans les vêtements légers ou la peau.
- **Laisser la brosse tourner à la vitesse d'opération pendant au moins une minute avant de l'utiliser. Pendant ce temps, personne ne doit se tenir devant ou dans la visée de la brosse.** Les poils ou les brosses lâches se détacheront au cours de ce rodage.
- **Orientier le rejet de la brosse métallique en rotation loin de vous. Quand ces brosses sont utilisées, des petites particules et des fragments métalliques minuscules peuvent se détacher à grande vitesse et s'incruster dans votre peau.**

AVERTISSEMENTS DE SÉCURITÉ RELATIFS DE L'OUTIL ROTATIF

RÈGLES SUPPLÉMENTAIRES DE SÉCURITÉ

■ **AVERTISSEMENT** - Certaines poussières créées par le ponçage, le sciage, le meulage, le perçage et d'autres activités courantes d'outils rotatifs contiennent des produits chimiques connus pour causer le cancer, des malformations congénitales ou d'autres problèmes de reproduction. Voici des exemples de ces produits chimiques :

- Le plomb contenu dans la peinture au plomb
- La silice cristalline contenue dans les briques, le béton et d'autres produits de maçonnerie
- L'arsenic et le chrome contenus dans le bois de construction traité par produits chimiques




Le risque présenté par l'exposition à ces produits varie en fonction de la fréquence de ce type de travail. Pour réduire votre exposition à ces produits chimiques : travailler dans un endroit bien aéré et utiliser des équipements de sécurité approuvés tels que des masques antipoussières spécialement conçus pour filtrer les particules microscopiques.

- **Toujours porter une protection adéquate avec une meule.** Une protection protège l'utilisateur contre les fragments de meule cassée.
- **Apprendre à connaître l'outil. Lire attentivement le manuel d'utilisation. Apprendre les applications et les limites de l'outil, ainsi que les risques spécifiques relatifs à son utilisation.** Le respect de cette consigne réduira les risques d'incendie, de choc électrique et de blessures graves.
- **Toujours porter une protection oculaire munie d'écrans latéraux certifiée conforme à la norme ANSI Z87.1 lors du montage des pièces, du fonctionnement de l'outil ou au moment de l'entretien.** Le respect de cette règle réduira les risques de blessures graves.
- **Protection respiratoire. Porter un masque facial ou un masque anti-poussière si le travail produit de la poussière.** Le respect de cette consigne réduira les risques de blessures graves.
- **Protection auditive. Porter une protección auditiva lors de l'utilisation prolongée.** Le respect de cette règle réduira les risques de blessures graves.
- **Ce produit n'est pas destiné à être utilisé avec le toilettage d'animaux, les soins dentaires ou toute application médicale humaine ou vétérinaire.**







- **Éloigner les animaux domestiques lorsque vous utilisez cet outil.**
- **Vérifier l'état des pièces. Avant d'utiliser l'outil de nouveau examiner soigneusement les pièces et dispositifs de protection qui semblent endommagés afin de déterminer s'ils fonctionnent correctement et s'ils remplissent les fonctions prévues. Vérifier l'alignement des pièces mobiles, s'assurer qu'aucune pièce n'est bloquée ou cassée, vérifier la fixation de chaque pièce et s'assurer qu'aucun autre problème ne risque d'affecter le bon fonctionnement de l'outil. Toute protection ou pièce endommagée doit être correctement réparée ou remplacée dans un centre de réparations agréé.** Le respect de cette consigne réduira les risques de choc électrique, d'incendie et de blessures graves.
- **Inspecter la pièce et retirer les clous éventuels avant d'utiliser cet outil.** Le respect de cette consigne réduira les risques de blessures graves.
- **Ne pas meuler et ne pas polir des matériaux inflammables par la chaleur.** Des étincelles projetées par la meule pourraient enflammer ces matériaux.
- **Ce produit n'est pas conçu pour être utilisé comme une fraise lors des applications médicales sur les humains ou les animaux.** Des blessures graves pourraient en résulter.
- **En cas d'utilisation des vis en acier; des meules tronçonneuses; des couteaux haute-vitesse; ou des couteaux en carbure de tungstène; toujours s'assurer que la pièce à travailler est fixée solidement. Ne jamais essayer de tenir la pièce à travailler avec une main tout en utilisant les accessoires.**
- **Pour les matériaux organiques, un accessoire d'arbre flexible est nécessaire. Un nettoyage et une désinfection appropriés sont nécessaires après utilisation.** Tout matériau, y compris les matières organiques, coupé ou altéré par cet outil n'est ni destiné ni adapté à la consommation humaine.
- **Conserver ces instructions.** Les consulter fréquemment et les utiliser pour instruire les autres utilisateurs éventuels. Si cet outil est prêté, il doit être accompagné de ces instructions.

SYMBOLES

Les termes de mise en garde suivants et leur signification ont pour but d'expliquer le degré de risques associé à l'utilisation de ce produit.

SYMBOLE	SIGNAL	SIGNIFICATION
	DANGER :	Indique une situation extrêmement dangereuse qui, si elle n'est pas évitée, aura pour conséquences des blessures graves ou mortelles.
	AVERTISSEMENT :	Indique une situation potentiellement dangereuse qui, si elle n'est pas évitée, pourrait entraîner des blessures graves ou mortelles.
	ATTENTION :	Indique une situation potentiellement dangereuse qui, si elle n'est pas évitée, pourrait entraîner des blessures légères ou de gravité modérée.
	ATTENTION :	(Sans symbole d'alerte de sécurité) Indique une situation pouvant entraîner des dommages matériels.

Certains des symboles ci-dessous peuvent être utilisés sur produit. Veiller à les étudier et à apprendre leur signification. Une interprétation correcte de ces symboles permettra d'utiliser produit plus efficacement et de réduire les risques.

SYMBOLE	NOM	DÉSIGNATION / EXPLICATION
	Symbole d'alerte de sécurité	Indique un risque de blessure potentiel.
	Lire le manuel d'utilisation	Pour réduire les risques de blessures, l'utilisateur doit lire et veiller à bien comprendre le manuel d'utilisation avant d'utiliser ce produit.
	Protection oculaire et respiratoire	Toujours porter une protection oculaire avec écrans latéraux certifiée conforme à la norme ANSI Z87.1. Selon le type d'accessoire utilisé et comme il est indiqué ailleurs dans le Manuel d'utilisation, une protection respiration peut être nécessaire.
	Avertissement concernant l'humidité	Ne pas exposer à la pluie ou l'humidité.
	Cheveux longs	Attacher les cheveux longs pour les maintenir au-dessus des épaules, afin qu'ils ne se prennent pas dans les pièces en mouvement.
V	Volts	Tension
A	Ampères	Intensité
Hz	Hertz	Fréquence (cycles par seconde)
min	Minutes	Temps
~	Courant alternatif	Type de courant
n ₀	Vitesse à vide	Vitesse de rotation à vide
	Construction de classe II	Construction à double isolation
.../min	Par minute	Tours, coups, vitesse périphérique, orbites, etc., par minute

CARACTÉRISTIQUES ÉLECTRIQUES

DOUBLE ISOLATION

La double isolation est un dispositif de sécurité utilisé sur les outils à moteur électriques, éliminant le besoin pour un cordon d'alimentation trois fil avec prise de terre habituel. Toutes les pièces métalliques exposées sont isolées des composants internes du moteur. Les outils à double isolation ne nécessitent pas de mise à la terre.

AVERTISSEMENT :

Le système à double isolation est conçu pour protéger l'utilisateur contre les chocs électriques causés par une rupture du câblage interne de l'outil. Prendre toutes les précautions de sécurité normales pour éviter les chocs électriques.

NOTE : Le dépannage d'un outil à double isolation exigeant des précautions extrêmes et la connaissance du système, il ne doit être confié qu'à un technicien de service qualifié. En ce qui concerne les réparations, nous recommandons de confier l'outil au centre de réparation le plus proche. Utiliser exclusivement des pièces d'origine pour les réparations.

CONNEXION ÉLECTRIQUE

Ce produit est équipé d'un moteur électrique de précision. Il doit être branché sur une **alimentation 120 V, c.a. uniquement (courant résidentiel standard), 60 Hz**. Ne pas utiliser cet outil sur une source de courant continu (c.c.). Une chute de tension importante causerait une perte de puissance et une surchauffe du moteur. Si l'outil ne fonctionne pas une fois branché, vérifier l'alimentation électrique.

CORDONS PROLONGATEURS

Lors de l'utilisation d'un outil électrique à grande distance d'une prise secteur, veiller à utiliser un cordon prolongateur d'une capacité suffisante pour supporter le prélèvement de courant du moteur. Un cordon de capacité insuffisante causerait une baisse de la tension de ligne, entraînant une perte de puissance et une surchauffe. Se reporter au tableau ci-dessous pour déterminer la taille de fils requise pour un cordon donné. Utiliser exclusivement des cordons homologués par Underwriter's Laboratories (UL).

Pour les travaux à l'extérieur, utiliser un cordon spécialement conçu à cet effet. La gaine des cordons de ce type porte l'inscription « W-A » ou « W ».

Avant d'utiliser un cordon prolongateur, vérifier que les fils ne sont ni détachés ni exposés et que l'isolation n'est ni coupée, ni usée.

**Intensité nominale (sur la plaquette signalétique de l'outil)

Longueur du cordon	Calibre des fils (A.W.G.)					
	0-2,0	2,1-3,4	3,5-5,0	5,1-7,0	7,1-12,0	12,1-16,0
25'	16	16	16	16	14	14
50'	16	16	16	14	14	12
100'	16	16	14	12	10	—

**Utilisé sur circuit de calibre 12 – 20 A

NOTE : AWG = American Wire Gauge

AVERTISSEMENT :

Maintenir le cordon prolongateur à l'écart de la zone de travail. Lors du travail avec un cordon électrique, placer le cordon de manière à ce qu'il ne risque pas de se prendre dans les pièces de bois, outils et autres obstacles. Ne pas prendre cette précaution peut entraîner des blessures graves.

AVERTISSEMENT :

Vérifier l'état des cordons prolongateurs avant chaque utilisation. Remplacer immédiatement tout cordon endommagé. Le fait de ne jamais utiliser un outil dont le cordon d'alimentation est endommagé car tout contact avec une partie dénudée pourrait causer un choc électrique et des blessures graves.

CARACTÉRISTIQUES

FICHE TECHNIQUE

Douille à changement rapide..... Universel de 3,18 mm
(1/8 po)

Vitesse nominale 5 000 - 35 000/min (RPM)
Alimentation..... 120 V, 60 Hz, c.a. seulement, 1,2 A

APPRENDRE À CONNAÎTRE D'OUTIL ROTATIF

Voir la figure 1, page 15.

L'utilisation sûre de ce produit exige une compréhension des renseignements figurant sur l'outil et contenus dans le manuel d'utilisation, ainsi qu'une bonne connaissance du projet entrepris. Avant d'utiliser ce produit, se familiariser avec toutes ses caractéristiques et règles de sécurité.

INTERRUPTEUR MARCHE/ARRÊT

La produit est dotée d'un interrupteur marche/arrêt facile d'accès se trouvant haut le produit.

CADRAN DE CONTRÔLE DE VITESSE

Le cadran de contrôle de vitesse permet de sélectionner facilement la vitesse de l'outil.

BOUTON DE VERROUILLAGE DE LA BROCHE

Le bouton de verrouillage de la broche permet de bloquer la douille lors du changement des accessoires.

ANNEAU DE SUSPENSION D'OUTIL

L'anneau de suspension d'outil permet de suspendre l'outil rotatif quand il est utilisé avec un arbre flexible (non compris).

ASSEMBLAGE

AVERTISSEMENT :

Ne pas utiliser le produit s'il n'est pas complètement assemblé ou si des pièces semblent manquantes ou endommagées. Le fait d'utiliser un produit assemblé de façon inadéquate ou incomplète peut entraîner des blessures graves.

AVERTISSEMENT :

Ne pas essayer de modifier ce produit ou de créer des accessoires non recommandés pour le produit. De telles altérations ou modifications sont considérées comme un usage abusif et peuvent créer des conditions dangereuses, risquant d'entraîner des blessures graves.

Si des pièces sont manquantes ou endommagées, appeler le 1-800-525-2579.

UTILISATION

AVERTISSEMENT :

Ne pas laisser la familiarité avec le produit faire oublier la prudence. Ne pas oublier qu'une fraction de seconde d'inattention peut entraîner des blessures graves.

AVERTISSEMENT :

Toujours porter une protection oculaire avec écrans latéraux certifiée conforme à la norme ANSI Z87.1. Si cette précaution n'est pas prise, des objets peuvent être projetés dans les yeux et causer des lésions graves.

AVERTISSEMENT :

Ne pas utiliser d'outils ou accessoires non recommandés pour cet outil. L'utilisation de pièces et accessoires non recommandés peut entraîner des blessures graves.

APPLICATIONS

Ce produit peut être utilisé pour les applications ci-dessous :

- Modelage, gravure, mordançage, polissage, nettoyage, retrait de la rouille, ponçage, coupage, meulage, façon-nage, perçage et traçage

COLLET À CHANGEMENT RAPIDE

Voir le figure 2, page 15.

NOTE : L'outil est livré avec un collet préinstallé, qui est usiné selon les tolérances de précision pour les accessoires avec une tige de 3,2 mm (1/8 po) de diamètre. Lorsqu'il est installé, le collet à changement rapide permet à l'utilisateur de changer les accessoires sans utiliser d'outil et sans retirer le collet de l'arbre. La pince à changement rapide n'est pas compatible avec les tiges de 1,6 mm (1/16 po).

Pour retirer/installer le collet à changement rapide :

- Débrancher l'outil rotatif.
- Enfoncer et tenir le bouton de blocage de la broche vers l'avant et tourner l'arbre avec une main jusqu'à ce que le bouton de verrouillage de la broche engage l'arbre, empêchant ainsi toute rotation ultérieure.
- Le bouton de verrouillage de la broche étant enclenché, placer la clé de 9,53 mm incluse sur l'extrémité fileté inférieure de la douille à changement rapide et tourner en sens antihoraire pour desserrer. Continuer à tourner en sens antihoraire pour retirer la douille de l'outil.
- Retirer le collet à changement rapide.
- **Pour l'installer**, enclencher le bouton de verrouillage de la broche. Placer la douille à changement rapide sur l'arbre et commencer à enfile à la main jusqu'à ressentir une résistance. Puis, utiliser la clé de 9,53 mm incluse sur l'extrémité fileté inférieure de la douille et tourner en sens horaire jusqu'à bien serrer.

AVERTISSEMENT :

Toujours utiliser une douille dont la taille correspond à celle de l'accessoire que vous comptez utiliser. Ne jamais forcer une tige de trop grande dimension dans une douille. L'accessoire devrait pouvoir s'insérer facilement dans la douille, mais vous devriez être capable de serrer l'accessoire fermement et de façon sécuritaire avec le collet à changement rapide.

ATTENTION :

Pour ne pas endommager la broche ou le bouton de verrouillage de la broche, toujours attendre que le moteur s'arrête complètement avant d'engager le bouton de verrouillage de la broche.

INSTALLATION/RETRAIT DES ACCESSOIRES

Voir les figures 3 et 4, page 15.

Pour installer :

- Débrancher l'outil rotatif.
- Choisir un accessoire adapté au collet et à l'application tentée.
- S'assurer que le collet à changement rapide est installé fermement sur l'arbre.
- Tout en appuyant sur le bouton de verrouillage de la broche, utiliser la main pour desserrer la douille en tournant le manchon en sens antihoraire.
- Insérer la tige de l'accessoire dans la douille jusqu'à ce qu'elle arrive au bout, et ensuite, retirez de 1,59 mm (1/16 po) en prévision de l'expansion quand l'accessoire se réchauffera.
- Tourner le manchon de douille en sens horaire jusqu'à ce que le cliquetis s'arrête et que la douille agrippe la tige de l'accessoire.

NOTE : S'il n'est pas possible de serrer ou desserrer suffisamment à la main, utiliser la clé à douille de 9,53 mm sur le haut hexagonal de la douille. Tourner en sens horaire pour serrer ou en sens antihoraire pour desserrer.

Retrait :

- Débrancher l'outil rotatif.
- Engager le blocage de la broche.
- Tourner le manchon du collet dans le sens contraire des aiguilles d'une montre pour desserrer.
- Enlever l'accessoire.

NOTE : Au moment de tenter de retirer un accessoire, si la douille à changement rapide commence à s'enlever de l'outil, répéter le processus d'installation.

UTILISATION

UTILISATION DE MANDRINS

Voir la figure 5, page 15.

Les types de mandrins les plus communs utilisés avec cet outil sont des mandrins communs qui servent pour les disques de coupure, les meules, les meules d'émeri et les meules tronçonneuses. Le mandrin à vis est utilisé avec des meules de polissage et des tambours polisseurs. Le mandrin à tambour est utilisé avec des tambours de ponçage.

Pour installer :

- Débrancher l'outil rotatif.
- Installer le mandrin.

Si vous utilisez le mandrin standard :

- Enfoncez le bouton de verrouillage de la broche.
- Insérer le bout de la clé fournie dans la fente en haut du mandrin et dévisser.
- Enlever la vis de mandrin et la rondelle.
- Placer l'accessoire voulu au-dessus de l'arbre du mandrin et aligner l'orifice de l'accessoire avec l'orifice du mandrin.
- Insérer la vis du mandrin avec la rondelle à travers l'accessoire et les orifices de l'arbre de mandrin.

NOTE : La rondelle du mandrin devrait être placée entre la vis du mandrin et l'accessoire.

- Serrer à l'aide de la clé fournie.

Si vous utilisez le mandrin à petite vis :

- Aligner l'orifice de l'accessoire voulu avec la tête de vis du mandrin.
- Visser l'accessoire au mandrin en tournant dans le sens des aiguilles d'une montre jusqu'à ce qu'il soit fixé en place.

Si vous utilisez le mandrin à tambour :

- Aligner le tambour de ponçage avec le mandrin et pousser vers le bas pour couvrir complètement le bout à tambour du mandrin.

NOTE : Si nécessaire, serrer la vis sur la tête du mandrin à tambour pour élargir le tambour et attacher solidement le tambour de ponçage.

ÉQUILIBRAGE DES ACCESSOIRES

Pour le travail de précision, il est important que tous les accessoires soient bien équilibrés. Pour équilibrer un accessoire, desserrer légèrement le collet à changement rapide, et tourner l'accessoire ou la douille d'un quart de tour. Le son qui se fait entendre et le maniement de l'outil devraient vous indiquer si l'accessoire est bien équilibré. Continuer l'ajustement de cette façon jusqu'à ce obtenir le meilleur équilibre. Remplacer les accessoires s'ils sont endommagés ou déséquilibrés.

INSTALLATION DE LA TÊTE DE L'ACCESSOIRE SUR L'OUTIL ROTATIF

Voir la figure 6, page 16.

AVERTISSEMENT :

Lire et comprendre l'entièreté du manuel d'utilisation pour chacune des têtes de l'accessoire optionnelles utilisées sur cet outil rotatif, en plus de suivre les mises en garde et les instructions. Ne pas respecter toutes les instructions représente un risque de décharge électrique ou de blessure grave.

AVERTISSEMENT :

Cet outil rotatif est conçu pour être utilisé uniquement avec les modèles de têtes de l'accessoire qui sont indiqués dans le présent manuel d'utilisation. L'utilisation d'autres têtes de l'accessoire peut causer des blessures corpo-relles ou matérielles graves.

AVERTISSEMENT :

Ne jamais installer, retirer ou régler une tête de l'accessoire lorsque l'outil rotatif est en fonction. Ne pas arrêter le moteur représente un risque des blessures graves. Ne jamais utiliser d'outil rotatif sans avoir installé une tête de l'accessoire ou le collier au préalable.

Cet outil rotatif peut uniquement être utilisé avec les têtes de l'accessoire RYOBI suivantes :

- Guide pour plateforme à 45 degrés A90PG01
- Guide pour plateforme à 90 degrés A90PG02
- Guide d'affûtage de la scie à chaîne A90SG01
- Guide d'aiguisage de la tondeuse A90SG02
- Guide de retrait du coulis A90GG01
- Accessoire de pare débris A90DS01
- A90CG01 guide de coupe
- A90FS01 Accessoire d'arbre flexible

Pour installer une tête de l'accessoire :

- Débrancher l'outil rotatif.
- Retirer les accessoires et le collet à changement rapide.
- Tenir le collier fermement, puis le faire tourner dans le sens contraire des aiguilles d'une montre pour le desserrer et le retirer.
- Suivre les instructions du manuel d'utilisation de la tête d'accessoire RYOBI pour l'installer.

Pour retirer une tête de l'accessoire :

- Débrancher l'outil rotatif.
- Retirer les accessoires et le collet à changement rapide.

UTILISATION

- Suivre les instructions du manuel d'utilisation de la tête d'accessoire RYOBI le retirer.
- Réinstaller le collier ou installer une autre tête de l'accessoire.

MISE EN MARCHÉ/ARRÊT DE L'OUTIL ROTATIF

Voir la figure 7, page 16.

- Pour mettre l'outil en **MARCHE** : mettre l'interrupteur MARCHE/ARRÊT (I/O) en position MARCHE (I).
- Pour **ARRÊTER** l'outil : mettre l'interrupteur MARCHE/ARRÊT (I/O) en position ARRÊT (O).

SÉLECTION DE LA VITESSE APPROPRIÉE

Voir les figures 7 et 8, page 16.

L'outil rotatif fonctionne dans un intervalle de vitesse de 5 000 à 35 000/min. Pour sélectionner la vitesse appropriée pour chaque tâche, utiliser un morceau de rebut pour faire un essai. Varier la vitesse pour trouver la meilleure vitesse pour l'accessoire que vous utiliser et la tâche à effectuer.

Utiliser la marque de l'indicateur au-dessus du cadran de contrôle de vitesse afin de régler la vitesse idéale pour les

travaux à effectuer. Le cadran de contrôle de vitesse est numéroté de 1 à 3. Les vitesses pour chacun des réglages sont les suivantes :

- Vitesse (1)5,000 RPM
- Vitesse (2)15,000 RPM
- Vitesse (3)35,000 RPM

Se rapporter au tableau **Recommandations de vitesse d'application** pour déterminer la vitesse appropriée, selon le matériau travaillé et l'accessoire utilisé.

VITESSES PLUS LENTES

Certains matériaux, comme certains types de plastique par exemple, exigent des vitesses plus lentes parce que la friction de l'outil génère de la chaleur qui fait fondre le plastique à une vitesse élevée.

Des vitesses plus lentes (15 000 tr/min ou moins) sont souvent meilleurs pour des tâches de polissage avec utilisation des accessoires de polissage. Elles peuvent aussi être préférables pour travailler sur des projets délicats, des gravures en bois délicates et sur des composants des modèles fragiles.

RECOMMANDATIONS DE VITESSE D'APPLICATION*

Type d'accessoire	Bois tendre	Bois dur	Stratifiés, Matières plastiques	Acier	Aluminium, laiton, etc.	Coquille/pierre	Céramique	Verre
Disques à tronçonner	15-35K	15-35K	5-15K	35K	35K	N/A	N/A	N/A
Meule à tronçonner en fibre de verre	15-35K	15-35K	5-15K	35K	35K	N/A	N/A	N/A
Tambours de ponçage	15-35K	15-35K	5-15K	15-35K	15-35K	15-35K	N/A	N/A
Meule de polissage en feutre	5-15K	5-15K	5-15K	5-15K	5-15K	5-15K	5-15K	5-15K
Meules en oxyde d'aluminium	15-35K	15-35K	5-15K	15-35K	15-35K	N/A	N/A	N/A
Meules en carbure de silicium	N/A	N/A	N/A	15-35K	15-35K	15-35K	5-35K	N/A
Forets en acier rapide	35K	35K	15-35K	35K	35K	—	—	—
Mèche tranchante pour cloison sèche	35K (Cloison sèche seulement)							

*Les paramètres fournis dans le tableau sont des recommandations pour les plages de fonctionnement pour de meilleures performances.

UTILISATION

Des vitesses plus élevées sont meilleures pour graver, couper et toupiller le bois.

Des bois durs, des métaux et le verre nécessitent une vitesse d'opération plus élevée. Le perçage devrait aussi être effectué à hautes vitesses.

Pour déterminer la vitesse optimale pour de différents matériaux et accessoires, se rapporter au tableau **Recommandations de vitesse d'application** à la page suivante. Pour se familiariser avec les informations qu'elle contient.

La meilleure façon de déterminer la vitesse appropriée pour travailler dans un matériau est de pratiquer quelques minutes avec un morceau de rebut, même après avoir consulté la table. Vous pouvez vite comprendre que la vitesse plus lente ou plus élevée est plus efficace juste en observant ce qui se passe quand vous utilisez l'outil pendant un moment ou deux à des vitesses différentes.

Pendant le travail sur un morceau de rebut en plastique, commencer avec une vitesse plus lente et augmenter la vitesse jusqu'à ce qu'il soit possible d'observer que le plastique fond au point de contact; réduire légèrement la vitesse pour obtenir la vitesse optimale sans fondre la pièce à travailler.

NOTE :

- Le plastique et les matériaux qui fondent à de basses températures devraient être coupés à basse vitesse.
- Le bois tendre devrait être coupé à haute vitesse.
- L'aluminium, l'étain et le cuivre, le plomb et les alliages de zinc peuvent être coupés à toutes les vitesses; dépendamment du type de la coupe à effectuer. Utiliser de l'huile de paraffine ou autre lubrifiant approprié sur le couteau pour éviter que le matériel coupé n'adhère aux dents du couteau.

UTILISATION DE L'OUTIL ROTATIF

Voir les figures 9 et 10, page 16.

Apprendre à utiliser l'outil rotatif :

- Tenir l'outil dans la main et s'habituer à son poids, équilibre et la forme de son boîtier. Cette forme permet d'empoigner l'outil selon une méthode « prise de type crayon » ou selon une méthode « prise de type golf ».
- Inspecter attentivement les accessoires de l'outil rotatif. Des accessoires endommagés peuvent se séparer en morceaux lorsqu'ils atteignent une certaine vitesse et ils ne devraient pas être utilisés. L'utilisation des accessoires endommagés pourrait résulter en des blessures corporelles graves.

- Pratiquer d'abord sur des matériaux de rebut pour voir comment l'outil fonctionne. Ne pas oublier pas que le travail est effectué par la vitesse de l'outil et par l'accessoire monté dans la douille de serrage. Vous ne devez pas vous appuyer sur l'outil ni pousser celui-ci dans le matériau.

Il est mieux de passer l'outil plusieurs fois plutôt que de tenter de faire tout le travail d'une seule fois. Pour pratiquer une coupe, passer l'outil allant-venant sur la pièce, tout comme vous le feriez avec un petit pinceau. Couper un peu de matériau à chaque passage jusqu'à atteindre la profondeur désirée. Pour la plupart des tâches, l'approche douce est la meilleure. Vous aller avoir plus de contrôle, faire moins d'erreurs et effectuer un travail efficace avec l'accessoire.

Pour assurer le meilleur contrôle possible pour du travail de précision, tenir l'outil entre le pouce et l'index.

La méthode de prise de l'outil « poignée » est utilisée pour des tâches telles que le ponçage d'une surface plate ou l'utilisation de disques de ponçage.

La méthode de prise de l'outil « prise de type golf » est utilisée pour des tâches telles que le ponçage d'une surface plate.

Pour utiliser l'outil rotatif :

- Attacher la pièce à travailler à l'établi à l'aide d'un étau ou d'une pince pour empêcher qu'elle ne bouge au-dessous de l'outil.
- Tenir l'outil éloigné devant vous, en faisant attention à ce que l'accessoire de l'outil ne touche pas à la pièce à travailler.
- Mettre l'outil en marche et attendre jusqu'à ce que le moteur et l'accessoire atteignent leur vitesse maximale.
- Abaisser l'outil progressivement jusqu'à ce que l'accessoire entre en contact avec la pièce à travailler.
- Bouger l'outil continuellement de façon égale et uniforme.
- Utiliser juste assez de pression pour empêcher l'outil de claquer et de rebondir.

NOTE : Une pression trop forte diminuera la vitesse de l'outil et forcera le moteur. Le seul poids de l'outil est suffisant pour la plupart des tâches.

- Éloigner l'outil de la pièce à travailler avant d'éteindre l'outil.

ENTRETIEN

AVERTISSEMENT :

Utiliser exclusivement des pièces d'origine pour les réparations. L'usage de toute autre pièce pourrait créer une situation dangereuse ou endommager le produit.

AVERTISSEMENT :

Toujours porter une protection oculaire avec écrans latéraux certifiée conforme à la norme ANSI Z87.1. Si cette précaution n'est pas prise, des objets peuvent être projetés dans les yeux et causer des lésions graves.

ENTRETIEN GÉNÉRAL

Éviter d'utiliser des solvants pour le nettoyage des pièces en plastique. La plupart des matières plastiques peuvent être endommagées par divers types de solvants du commerce. Utiliser un chiffon propre pour éliminer la saleté, la poussière, l'huile, la graisse, etc.

AVERTISSEMENT :

Ne jamais laisser de liquides tels que le fluide de freins, l'essence, les produits à base de pétrole, les huiles pénétrantes, etc., entrer en contact avec les pièces en plastique. Les produits chimiques peuvent endommager, affaiblir ou détruire le plastique, ce qui peut entraîner des blessures graves.

Les outils électriques utilisés sur la fibre de verre, le placoplâtre, les mastics de bouchage ou le plâtre s'usent plus vite et sont susceptibles de défaillance prématurée, car les particules et les éclats de fibre de verre sont fortement abrasifs pour les roulements, balais, commutateurs, etc. En conséquence, nous ne recommandons pas d'utiliser cet outil pour un travail prolongé avec ces types de matériaux. Toutefois, si l'outil a été utilisé sur l'un de ces matériaux, il est extrêmement important de le nettoyer à l'air comprimé.

LUBRIFICATION

Tous les roulements de cet outil sont enduits d'une quantité suffisante de lubrifiant de haute qualité pour la durée de vie de l'outil, dans des conditions d'utilisation normales. Aucune autre lubrification n'est donc nécessaire.

REMPACEMENT DU CORDON D'ALIMENTATION

S'il y a lieu, le cordon d'alimentation doit être remplacé par un centre de réparation agréé afin d'éviter tout risque.

NOTE : FIGURES (ILLUSTRATIONS) COMMENÇANT SUR 15 DE PAGE APRÈS LE SECTION ESPAGNOL.

ADVERTENCIAS DE SEGURIDAD PARA HERRAMIENTAS ELÉCTRICAS

ADVERTENCIA:

Lea todas las advertencias, instrucciones, ilustraciones y especificaciones proporcionadas con esta herramienta eléctrica. No seguir las instrucciones indicadas a continuación puede provocar descargas eléctricas, incendios o lesiones graves.

Guarde todas las advertencias e instrucciones para consultarlas en el futuro. El término “herramienta eléctrica” en las advertencias se refiere a las herramientas eléctricas que funcionan con corriente (con cordón) o las que funcionan con batería (inalámbricas).

ÁREA DE TRABAJO

- **Mantenga limpia y bien iluminada el área de trabajo.** Un área de trabajo mal despejada o mal iluminada propicia accidentes.
- **No utilice herramientas motorizadas en atmósferas explosivas, como las existentes alrededor de líquidos, gases y polvos inflamables.** Las herramientas eléctricas generan chispas que pueden encender el polvo y los vapores inflamables.
- **Mantenga alejados a los niños y circunstantes al maniobrar una herramienta eléctrica.** Toda distracción puede causar la pérdida del control de la herramienta.

SEGURIDAD ELÉCTRICA

- **Las clavijas de las herramientas eléctricas deben corresponder a las tomas de corriente donde se conectan. Nunca modifique la clavija de ninguna forma. No utilice ninguna clavija adaptadora con herramientas eléctricas dotadas de contacto a tierra.** Conectando las clavijas originales en las tomas de corriente donde corresponden se disminuye el riesgo de una descarga eléctrica.
- **Evite el contacto del cuerpo con las superficies de objetos conectados a tierra, como las tuberías, radiadores, estufas y refrigeradores.** Existe un mayor riesgo de descargas eléctricas si el cuerpo está haciendo tierra.
- **No exponga las herramientas eléctricas a la lluvia ni a condiciones de humedad.** La introducción de agua en una herramienta eléctrica aumenta el riesgo de descargas eléctricas.
- **No maltrate el cordón eléctrico. Nunca utilice el cordón para trasladar, desconectar o tirar de la herramienta eléctrica. Mantenga el cordón lejos del calor, aceite, bordes afilados y piezas móviles.** Los cordones eléctricos dañados o enredados aumentan el riesgo de descargas eléctricas.
- **Al utilizar una herramienta eléctrica a la intemperie, use un cordón de extensión apropiado para el exterior.** Usando un cordón adecuado para el exterior se disminuye el riesgo de descargas eléctricas.

- **Si debe operar una herramienta en lugares húmedos, use un suministro protegido por un interruptor de circuito con pérdida a tierra (GFCI).** El uso de un GFCI reduce el riesgo de descargas eléctricas.

SEGURIDAD PERSONAL

- **Permanezca alerta, preste atención a lo que esté haciendo y aplique el sentido común al utilizar herramientas eléctricas. No utilice la herramienta eléctrica si está cansado o se encuentra bajo los efectos de alguna droga, alcohol o medicamento.** Un momento de inatención al utilizar una herramienta eléctrica puede causar lesiones corporales serias.
- **Utilice protección el equipo otros. Siempre póngase protección ocular.** El uso de equipo protector como mascarilla para el polvo, calzado de seguridad, casco y protección para los oídos en las circunstancias donde corresponda disminuye el riesgo de lesiones.
- **Evite que la herramienta se active accidentalmente. Asegúrese de que el interruptor esté en la posición de apagado antes de conectar la herramienta a un suministro de corriente o de colocar un paquete de baterías.** Transportar herramientas eléctricas con el dedo en el interruptor o enchufar herramientas eléctricas que tienen el interruptor encendido puede ocasionar accidentes.
- **Retire toda llave o herramienta de ajuste antes de encender la herramienta eléctrica.** Toda llave o herramienta de ajuste dejada en una pieza giratoria de la herramienta eléctrica puede causar lesiones.
- **No estire el cuerpo para alcanzar mayor distancia. Mantenga una postura firme y buen equilibrio en todo momento.** De esta manera se logra un mejor control de la herramienta eléctrica en situaciones inesperadas.
- **Vístase adecuadamente. No vista ropas holgadas ni joyas. Mantenga el cabello, la ropa y los guantes alejados de las piezas móviles.** Las ropas holgadas y las joyas, así como el cabello largo, pueden engancharse en las piezas móviles.
- **Si se suministran dispositivos para conectar mangueras de extracción y captación de polvo, asegúrese de que éstas estén bien conectadas y se usen correctamente.** El uso de la captación de polvo puede reducir los peligros relacionados con éste.
- **No permita que la familiaridad obtenida por el uso frecuente de las herramientas lo vuelva complaciente e ignore los principios de seguridad de las herramientas.** Una acción descuidada puede causar lesiones graves en una fracción de segundo.
- **No vista ropas holgadas ni joyas. Recójase el cabello si está largo.** Las ropas holgadas y las joyas, así como el cabello largo, pueden resultar atraídas hacia el interior de las aberturas de ventilación.

ADVERTENCIAS DE SEGURIDAD PARA HERRAMIENTAS ELÉCTRICAS

- **No utilice la unidad al estar en una escalera o en un soporte inestable.** Una postura estable sobre una superficie sólida permite un mejor control de la herramienta eléctrica en situaciones inesperadas.

EMPLEO Y CUIDADO DE LA HERRAMIENTA ELÉCTRICA

- **No fuerce la herramienta eléctrica. Utilice la herramienta eléctrica adecuada para cada trabajo.** La herramienta eléctrica adecuada efectúa mejor y de manera más segura el trabajo, si además se maneja a la velocidad para la que está diseñada.
- **No utilice la herramienta si el interruptor no enciende o no apaga.** Cualquier herramienta eléctrica que no pueda controlarse con el interruptor es peligrosa y debe repararse.
- **Desconecte el enchufe de la fuente de alimentación o retire el paquete de baterías, si es desmontable, de la herramienta eléctrica antes de realizar ajustes, cambiar accesorios o almacenar herramientas eléctricas.** Tales medidas preventivas de seguridad reducen el riesgo de poner en marcha accidentalmente la herramienta.
- **Guarde las herramientas eléctricas desocupadas fuera del alcance de los niños y no permita que las utilicen personas no familiarizadas con las mismas o con estas instrucciones.** Las herramientas eléctricas son peligrosas en manos de personas no capacitadas en el uso de las mismas.
- **Mantenimiento de las herramientas eléctricas y accesorios.** Revise para ver si hay desalineación

o atoramiento de piezas móviles, ruptura de piezas o toda otra condición que pueda afectar el funcionamiento de la herramienta eléctrica. Si está dañada la herramienta eléctrica, permita que la reparen antes de usarla. Numerosos accidentes son causados por herramientas eléctricas mal cuidadas.

- **Mantenga las herramientas de corte afiladas y limpias.** Las herramientas de corte bien cuidadas y con bordes bien afilados, tienen menos probabilidad de atascarse en la pieza de trabajo y son más fáciles de controlar.
- **Use la herramienta eléctrica, los accesorios, las brocas, etc. según estas instrucciones, teniendo en cuenta las condiciones de trabajo y la tarea que se va a realizar.** Si se utiliza la herramienta eléctrica para operaciones diferentes de las indicadas podría originar una situación peligrosa.
- **Mantenga los mangos y superficies de agarre limpias y libres de aceite y grasa.** Los mangos y superficies de agarre resbalosas no permiten la manipulación y control seguro de la herramienta en situaciones inesperadas.

SERVICIO

- **Permita que un técnico de reparación calificado preste servicio a la herramienta eléctrica, y sólo con piezas de repuesto idénticas.** De esta manera se mantiene la seguridad de la herramienta eléctrica.
- **Nunca repare paquetes de baterías dañados.** La reparación de paquetes de baterías solo puede ser realizada por el fabricante o proveedores de servicio autorizados.

ADVERTENCIAS DE SEGURIDAD DE HERRAMIENTA ROTATORIA

ADVERTENCIAS DE SEGURIDAD GENERALES PARA LAS OPERACIONES DE ESMERILADO, LIJADO, CEPILLO DE ALAMBRE, PULIR, TALLADO O CORTE ABRASIVO

- **Esta herramienta eléctrica está diseñada para funcionar como una amoladora, una lijadora, un cepillo de alambre, una enceradora, una herramienta de tallado o una herramienta de corte.** Lea todas las advertencias de seguridad, ilustraciones y especificaciones suministradas con esta herramienta eléctrica. La inobservancia de todas las instrucciones que se enumeran a continuación puede causar descargas eléctricas, incendios o lesiones graves.
- **No utilice accesorios que no estén específicamente diseñados y recomendados por el fabricante de la herramienta.** El hecho de que el accesorio pueda

acoplarse a su herramienta eléctrica no significa que su funcionamiento sea seguro.

- **La velocidad nominal de los accesorios debe ser, al menos, igual a la configuración de velocidad operativa que se indica en la herramienta eléctrica.** Los accesorios que se utilizan a una mayor velocidad que su velocidad nominal pueden romperse y salir lanzados.
- **El diámetro exterior y el espesor del accesorio deben tener la capacidad nominal de su herramienta eléctrica.** Los accesorios de un tamaño incorrecto no pueden controlarse de forma adecuada.
- **El tamaño del árbol de los discos, rodillos para lijar o cualquier otro accesorio debe encajar adecuadamente en el eje o portaherramientas de la herramienta eléctrica.** Los accesorios con orificios del árbol que no coincidan con los elementos de montaje

ADVERTENCIAS DE SEGURIDAD DE HERRAMIENTA ROTATORIA

de la herramienta eléctrica se desequilibrarán, vibrarán excesivamente y pueden causar la pérdida de control.

- **Los discos con montaje de mandril, rodillos para lijar, cortadores y otros accesorios deben quedar completamente insertados en el portaherramientas o la mordaza.** Si el mandril no se sostiene de forma adecuada o la parte que sobresale al disco es demasiado larga, el disco montado podría aflojarse y salir eyectado a gran velocidad.
- **No use un accesorio dañado. Antes de cada uso inspeccione los accesorios como discos abrasivos para controlar si hay virutas y grietas, rodillos para lijar para controlar si hay grietas, desgaste y deterioro excesivo, cepillo de alambre para controlar si hay cables sueltos y agrietados. Si la herramienta eléctrica o el accesorio se caen, examine los daños o instale un accesorio en buen estado. Luego de inspeccionar e instalar un accesorio, usted y las personas presentes deben mantenerse alejados del plano del accesorio giratorio. Usted debe accionar la herramienta durante un minuto en la velocidad máxima en vacío.** Normalmente, los accesorios dañados se quiebran durante esta prueba.
- **Use un equipo de protección personal. Según la aplicación, use protectores faciales, gafas o lentes de seguridad. Según corresponda, use máscaras contra polvo, protectores auditivos, guantes y delantales de trabajo que puedan detener pequeños fragmentos y abrasivos o de la pieza de trabajo. La protección ocular debe proteger de los residuos suspendidos en el aire que se generan por varias operaciones.** La protección ocular debe proteger de los residuos suspendidos en el aire que se generan por varias operaciones. La máscara contra polvo o el respirador deben filtrar las partículas generadas durante el funcionamiento. La exposición prolongada a ruidos de alta intensidad puede producir pérdida auditiva.
- **Mantenga a las personas presentes a una distancia segura del área de trabajo. Todas las personas que ingresen al área de trabajo deben usar equipo de protección personal.** Los fragmentos de la pieza de trabajo o de un accesorio roto pueden salir despedidos y causar lesiones más allá del área próxima al funcionamiento.
- **Sostenga la herramienta eléctrica por los asideros aislados sólo cuando realice una operación en la que el accesorio de corte pueda entrar en contacto con cables ocultos.** El accesorio de corte en contacto con un cable “vivo” puede “cargar” las partes metálicas expuestas de la herramienta eléctrica y dar una descarga eléctrica al operador.
- **Sostenga siempre la herramienta con las manos de manera firme al encender la herramienta.** El par de torsión de reacción del motor podría hacer que la herramienta gire, ya que acelera a toda velocidad.

- **Use abrazaderas para sostener la pieza de trabajo cuando resulte conveniente. Nunca sostenga una pieza de trabajo pequeña con una mano y la herramienta en la otra mano al utilizarla.** Si sostiene una pieza de trabajo pequeña con la ayuda de una abrazadera, podrá usar las manos para controlar la herramienta. Los materiales cilíndricos, como tarugos de madera o tubos, tienden a girar mientras los corta, lo que podría hacer que la broca se trabe o salte en dirección a usted.
- **Coloque el cable lejos del accesorio giratorio.** Si pierde el control, es posible que el cable se corte o se atore, y su mano o brazo pueden ser arrastrados hacia el accesorio en movimiento.
- **Nunca suelte la herramienta eléctrica antes de que el accesorio se haya detenido por completo.** El accesorio en movimiento puede prenderse de la superficie y hacer que usted pierda el control de la herramienta.
- **Después de cambiar las brocas o hacer ajustes, asegúrese de que la tuerca del portaherramientas, la mordaza u otros dispositivos de ajuste queden bien ajustados.** Los dispositivos de ajuste flojos pueden moverse de manera inesperada, lo que podría hacerle perder el control y lograr que los componentes giratorios flojos se disparen con violencia.
- **No haga funcionar la herramienta mientras la transporta a su costado.** El contacto accidental con el accesorio en movimiento puede enganchar la ropa y hacer que el accesorio se arrastre hacia el cuerpo.
- **Limpie regularmente las rejillas de ventilación de la herramienta eléctrica.** El ventilador del motor aspirará el polvo dentro de la carcasa y la acumulación excesiva de metal en polvo puede producir riesgos eléctricos.
- **No utilice la herramienta eléctrica cerca de materiales inflamables.** Las chispas pueden encender estos materiales.
- **No use accesorios que requieran refrigerantes líquidos.** El uso de agua u otros refrigerantes líquidos puede causar electrocución o descarga eléctrica.
- **El diámetro máximo recomendado de los discos, los conos roscados y los tapones montados no debe ex-ceder 55 mm (2,16 pulg.), y el diámetro máximo recomendado de los accesorios de lijado no debe ex-ceder 80 mm (3,14 pulg.).**

CONTRAGOLPE Y ADVERTENCIAS RELACIONADAS

El contragolpe es una reacción súbita a un disco en movimiento, accesorio para lijar, cepillo o cualquier otro accesorio pellizcado o atorado. El pellizcamiento o atoramiento hacen que el accesorio rotatorio se detenga repentinamente; esto, a la vez, hace que la herramienta eléctrica fuera de control sea despedida en dirección opuesta a la rotación del accesorio.

ADVERTENCIAS DE SEGURIDAD DE HERRAMIENTA ROTATORIA

Por ejemplo, si un disco abrasivo se pellizca o atora en la pieza de trabajo, el borde del disco que entra en el punto de pellizcamiento puede penetrar en la superficie del material haciendo que el disco se salga o dé un contragolpe. Es posible que el disco salte hacia el operador o en dirección opuesta a él, según la dirección del movimiento del disco en el punto de pellizcamiento. Los discos abrasivos también se pueden romper en estas condiciones.

El contragolpe es el resultado del uso incorrecto de la herramienta eléctrica y/o de procedimientos o condiciones de trabajo incorrectas, y puede evitarse tomando las medidas de precaución adecuadas, como las señaladas abajo.

- **Sujete firmemente la herramienta eléctrica y coloque el cuerpo y los brazos de manera tal que resista la fuerza del contragolpe. El operador puede controlar las reacciones por el par de torsión o por las fuerzas de contragolpe, siempre que tome las precauciones adecuadas.**
- **Preste especial atención cuando trabaje sobre ángulos, bordes filosos, etc. Evite el rebote y el enganche del accesorio.** Los ángulos, los bordes filosos o el rebote tienden a enganchar el accesorio giratorio y hacer perder el control o producir contragolpes.
- **No acople una hoja de sierra dentada.** Dichas hojas producen frecuentes contragolpes y la pérdida de control.
- **Presione siempre la broca sobre el material en la misma dirección en que sale del material el borde cortante (es decir, en que se despiden las astillas).** Si presiona la herramienta en la dirección equivocada, el borde cortante de la broca saltará y empujará la herramienta en dirección a la presión.
- **Al usar limas giratorias, discos de corte, cortadores de alta velocidad o cortadores de carburo de wolframio, asegúrese de que la pieza de trabajo esté bien sujeta.** Estos discos quedarán atorados si los hunde ligeramente en las ranuras y pueden producir un contragolpe. Si un disco de corte queda atorado, el disco generalmente se rompe. Cuando se atora una lima giratoria, un cortador de alta velocidad o un cortador de carburo de wolframio, podría saltar de la ranura y usted podría perder el control de la herramienta.

ADVERTENCIAS DE SEGURIDAD ESPECÍFICAS PARA OPERACIONES DE ESMERILADO O CORTE POR ABRASIÓN:

- **Sólo utilice los TIPOS DE DISCOS recomendados para su herramienta eléctrica y solo para aplicaciones recomendadas. Por ejemplo: no esmerile con el costado del disco de corte.** Los discos de corte abrasivos están diseñados para el esmerilado periférico, las fuerzas laterales que se apliquen a estos discos pueden hacer que se rompan en pedazos.
- **Para los conos y accesorios abrasivos roscados, use solo mandriles de disco no dañados con una**

superficie de soporte del accesorio plana que no permita que el accesorio se salga, y de tamaño y longitud correctos. Los mandriles apropiados reducirán la posibilidad de roturas.

- **Evite forzar el disco de corte o aplicar demasiada presión. No intente realizar un corte excesivamente profundo.** Al forzar demasiado el disco, aumentan la carga y la propensión de que este se doble o se atasque durante el corte. También es posible que se produzca un contragolpe o se dañe el disco.
- **No coloque la mano en línea con el disco en movimiento ni detrás de él.** Cuando el disco se aleje de la mano en el momento de la operación, el posible contragolpe podría impulsar el disco giratorio y la herramienta eléctrica directamente hacia usted.
- **Cuando el disco se atasque o se interrumpa el corte por algún motivo, debe apagar la herramienta eléctrica y mantenerla inmóvil hasta que el disco se detenga por completo. Nunca intente quitar el disco de corte de este mientras esté en movimiento; si lo hace, se puede producir un contragolpe.** Investigue y tome las medidas correctivas pertinentes para eliminar la causa del atasco del disco.
- **No reinicie la operación de corte en la pieza de trabajo. Permita que el disco alcance la máxima velocidad y vuelva a introducirlo en la pieza de trabajo cuidadosamente.** El disco puede atascarse, moverse hacia atrás o producir un contragolpe si la herramienta eléctrica se vuelve a encender en la pieza de trabajo.
- **Sujete los paneles o cualquier pieza de trabajo demasiado grande para minimizar el riesgo de atoramiento y contragolpe del disco.** Las piezas de trabajo grandes tienden a pandearse por su propio peso. Se deben colocar soportes debajo de la pieza de trabajo, cerca de la línea de corte y cerca del borde de la pieza de trabajo a ambos lados del disco.
- **Tenga especial cuidado al efectuar cortes en cavidad en paredes existentes o en otras partes ciegas (que no permitan ver qué hay detrás).** El disco que sobresale podría cortar tuberías de gas o agua, cables eléctricos u objetos que podrían provocar un contragolpe.

ADVERTENCIAS DE SEGURIDAD ESPECÍFICAS PARA LAS OPERACIONES DEL CEPILLO DE ALAMBRE

- **Tenga presente que el cepillo arroja cerdas de alambre incluso durante el funcionamiento normal. No fuerce demasiado las cerdas de alambre al aplicar una carga excesiva sobre el cepillo.** Las cerdas pueden penetrar fácilmente las prendas finas y la piel.
- **Deje que los cepillos funcionen a velocidad operativa durante, al menos, un minuto antes de usarlos. Durante ese tiempo, asegúrese de que no haya nadie parado en frente o en línea con el cepillo.** Las cerdas

ADVERTENCIAS DE SEGURIDAD DE HERRAMIENTA ROTATORIA

o los alambres sueltos saldrán despedidos durante el funcionamiento.

- **Dirija la descarga del cepillo de alambre en movimiento en dirección opuesta a usted.** Pequeñas partículas y fragmentos de alambre podrían salir disparados a gran velocidad durante el uso de estos cepillos e incrustarse en la piel.

REGLAS ADICIONALES DE SEGURIDAD

- **ADVERTENCIA - Parte del polvo que genera el lijado, el aserrado, el esmerilado, la perforación y otras actividades comunes de herramientas giratorias eléctricas contiene sustancias químicas que se sabe que causan cáncer, defectos de nacimiento u otros daños reproductivos.** Algunos ejemplos de estas sustancias químicas son:

- Plomo de pinturas a base de plomo,
- Sílice cristalino de los ladrillos, del cemento y de otros productos de albañilería y
- Arsénico y cromo de la madera tratada químicamente.




El riesgo de exposición a estos compuestos varía según la frecuencia con que se realice este tipo de trabajo. Para reducir su exposición a estas sustancias químicas: trabaje en áreas bien ventiladas y con equipamiento de seguridad aprobado, tal como máscaras para polvo especialmente diseñadas para filtrar partículas microscópicas.

- **Use siempre protección adecuada con el disco de esmerilado.** La protección resguarda al operador y lo protege de fragmentos de disco rotos.
- **Familiarícese con su herramienta eléctrica. Lea cuidadosamente el manual del operador. Aprenda sus usos y limitaciones, así como los posibles peligros específicos de esta herramienta.** Con el cumplimiento de esta regla se reduce el riesgo de una descarga eléctrica, incendio o lesión seria.
- **Siempre use protección ocular con laterales protectores con la marca de cumplimiento con la norma ANSI Z87.1 al ensamblar piezas, utilizar la herramienta o llevar a cabo tareas de mantenimiento.** Con el cumplimiento de esta regla se reduce el riesgo de lesiones corporales serias.
- **Protéjase los pulmones. Use una careta o mascarilla contra el polvo si la operación genera mucho polvo.** Con el cumplimiento de esta regla se reduce el riesgo de lesiones serias.
- **Protéjase los oídos. Durante períodos prolongados de utilización del producto, póngase un protecteur d'oreille.** Con el cumplimiento de esta regla se reduce el riesgo de lesiones corporales serias.







- **Este producto no está diseñado para acicalar mascotas, trabajos dentales ni otras aplicaciones médicas para humanos o animales.**
- **Mantenga a las mascotas alejadas mientras utiliza esta herramienta.**
- **Revise para ver si hay piezas dañadas. Antes de seguir utilizando la herramienta, es necesario inspeccionar cuidadosamente toda protección o pieza dañada para determinar si funcionará correctamente y desempeñará la función a la que está destinada. Verifique la alineación de las partes móviles, que no haya atoramiento de partes móviles, que no haya piezas rotas, el montaje de las piezas y cualquier otra condición que pudiera afectar su funcionamiento. Toda protección o pieza que esté dañada debe repararse apropiadamente o reemplazarse en un centro de servicio autorizado.** Con el cumplimiento de esta regla se reduce el riesgo de una descarga eléctrica, incendio o lesión grave.
- **Inspeccione la madera y elimine todos los clavos presentes en la misma antes de usar esta herramienta eléctrica.** Seguir esta regla reduce el riesgo de lesiones graves.
- **No esmerile ni lije materiales inflamables por calor.** Las chispas de la muela pueden encender estos materiales.
- **Este producto no es para uso como fresa dental ni para aplicaciones en seres humanos o veterinarias.** Se pueden causar lesiones serias.
- **Al usar tornillos de acero, discos de trocear, fresas de alta velocidad o fresas de carburo de tungsteno, tenga siempre la pieza de trabajo firmemente asegurada. Nunca intente tomar la pieza de trabajo con la mano mientras usa cualquiera de estos accesorios.**
- **Para material orgánico, se requiere un accesorio de eje flexible. Se requiere una limpieza y desinfección adecuadas después del uso.** Cualquier material, incluido material orgánico, cortado o alterado por esta herramienta no está destinado ni es apto para el consumo humano.
- **Guarde estas instrucciones.** Consúltelas con frecuencia y empléelas para instruir a otras personas que puedan utilizar esta herramienta. Si presta a alguien esta herramienta, facilítele también las instrucciones.

SÍMBOLOS

Las siguientes palabras de señalización y sus significados tienen el objeto de explicar los niveles de riesgo relacionados con este producto.

SÍMBOLO	SEÑAL	SIGNIFICADO
	PELIGRO:	Indica una situación peligrosa inminente, la cual, si no se evita, causará la muerte o lesiones serias.
	ADVERTENCIA:	Indica una situación peligrosa posible, la cual, si no se evita, podría causar la muerte o lesiones serias.
	PRECAUCIÓN:	Indica una situación peligrosa posible, la cual, si no se evita, podría causar lesiones menores o leves.
	PRECAUCIÓN:	(Sin el símbolo de alerta de seguridad) Indica una situación que puede producir daños materiales.

Es posible que se empleen en este producto algunos de los siguientes símbolos. Le suplicamos estudiarlos y aprender su significado. Una correcta interpretación de estos símbolos le permitirá utilizar mejor y de manera más segura el producto.

SÍMBOLO	NOMBRE	DENOMINACIÓN/EXPLICACIÓN
	Alerta de seguridad	Indica un peligro posible de lesiones personales.
	Lea el manual del operador	Para reducir el riesgo de lesiones, el usuario debe leer y comprender el manual del operador antes de usar este producto.
	Protección ocular y respiratoria	Siempre póngase protección ocular con la marca de cumplimiento de la norma ANSI Z87.1. Es posible que se también requiera una protección respirar, según el tipo de accesorio usado y según se describe en otra parte de éste Manual del operador.
	Alerta de condiciones húmedas	No exponga la unidad a la lluvia ni la use en lugares húmedos.
	Cabello largo	Recójase el cabello si lo tiene largo, de manera que le quede arriba de los hombros para evitar que se enrede en las piezas en movimiento.
V	Volts	Voltaje
A	Amperes	Corriente
Hz	Hertz	Frecuencia (ciclos por segundo)
min	Minutos	Tiempo
~	Corriente alterna	Tipo de corriente
n _o	Velocidad en vacío	Velocidad de rotación, en vacío
	Fabricación Clase II	Fabricación con doble aislamiento
.../min	Por minuto	Revoluciones, carreras, velocidad superficial, órbitas, etc., por minuto

ASPECTOS ELÉCTRICOS

DOBLE AISLAMIENTO

El doble aislamiento es una característica de seguridad de las herramientas eléctricas, la cual elimina la necesidad de usar el típico cordón eléctrico de tres conductores con conexión a tierra. Todas las partes metálicas expuestas están aisladas de los componentes metálicos internos del motor por medio de aislamiento de protección. No es necesario conectar a tierra las herramientas con doble aislamiento.

ADVERTENCIA:

El sistema de doble aislamiento está destinado a proteger al usuario contra las descargas eléctricas resultantes de la ruptura del aislamiento interno de la herramienta. Observe todas las precauciones de seguridad para evitar descargas eléctricas.

NOTA: El mantenimiento de una herramienta con doble aislamiento requiere sumo cuidado y conocimiento del sistema, y únicamente deben realizarlo técnicos de servicio calificados. Para el servicio de la herramienta, le sugerimos llevarla al centro de servicio autorizado más cercano para toda reparación. Siempre utilice piezas de repuesto de la fábrica original al dar servicio a la unidad.

CONEXIÓN ELÉCTRICA

Este producto dispone de un motor eléctrico fabricado con precisión. Debe conectarse únicamente a **una línea de voltaje de 120 Volts, de corr. alt. solamente (corriente normal para uso doméstico), 60 Hertz**,. No utilice esta herramienta con corriente continua (c.c.). Una caída considerable de voltaje causa una pérdida de potencia y el recalentamiento del motor. Si la herramienta no funciona al conectarla en una toma de corriente, vuelva a verificar el suministro de voltaje.

CORDONES DE EXTENSIÓN

Al utilizar una herramienta eléctrica a una distancia considerable de la fuente de voltaje, asegúrese de utilizar un cordón de extensión con la suficiente capacidad para soportar la corriente de consumo de la herramienta. Un cordón de un calibre insuficiente causa una caída en el voltaje de línea, la cual a su vez produce recalentamiento y pérdida de

potencia. Basese en la tabla suministrada para determinar el grueso mínimo requerido del cordón de extensión. Solamente deben utilizarse cordones con forro redondo registrados en Underwriter's Laboratories (UL).

Al trabajar a la intemperie con una herramienta, utilice un cordón de extensión fabricado para uso en el exterior. Este tipo de cordón lleva las letras "W-A" o "W" en el forro.

Antes de utilizar un cordón de extensión, inspecciónelo para ver si tiene conductores flojos o expuestos y aislamiento cortado o gastado.

**Amperaje (aparece en la placa de datos de la herramienta)

Longitud del cordón	Calibre conductores (A.W.G.)					
	0-2,0	2,1-3,4	3,5-5,0	5,1-7,0	7,1-12,0	12,1-16,0
25'	16	16	16	16	14	14
50'	16	16	16	14	14	12
100'	16	16	14	12	10	—

**Se usa en los circuitos de calibre 12, 20 amp.

NOTA: AWG = American Wire Gauge

ADVERTENCIA:

Mantenga el cordón de extensión fuera del área de trabajo. Al trabajar con una herramienta eléctrica, coloque el cordón de tal manera que no pueda enredarse en la madera, herramientas ni en otras obstrucciones. La inobservancia de esta advertencia puede causar lesiones serias.

ADVERTENCIA:

Inspeccione los cordones de extensión cada vez antes de usarlos. Si están dañados reemplácelos de inmediato. Nunca utilice la herramienta con un cordón dañado, ya que si toca la parte dañada puede producirse una descarga eléctrica, y las consecuentes lesiones serias.

CARACTERÍSTICAS

ESPECIFICACIONES DEL PRODUCTO

portaherramientas de cambio rápidoUniversal de
3,18 mm (1/8 pulg.)

Velocidad clasificada..... 5 000 - 35 000/min. (RPM)
Corriente de entrada 120 V, 60 Hz, sólo corr. alt., 1,2 A

ESPECIFICACIONES DEL PARA HERRAMIENTA ROTATORIA

Vea la figura 1, página 15.

Para usar este producto con la debida seguridad se debe comprender la información indicada en la herramienta misma y en este manual, y se debe comprender también el trabajo que intenta realizar. Antes de usar este producto, familiarícese con todas las características de funcionamiento y normas de seguridad del mismo.

INTERRUPTOR DE ENCENDIDO/APAGADO

Esta producto dispone de un interruptor de corriente de fácil acceso ubicado parte superior del producto.

SELECTOR DE CONTROL DE VELOCIDAD

El selector de control de velocidad le permite seleccionar fácilmente la velocidad de la herramienta.

SEGURO DEL HUSILLO

El seguro del husillo le permite asegurar el portaherramientas cuando cambie los accesorios

PERCHERO PARA HERRAMIENTAS

Con el perchero para herramientas obtendrá un espacio cómodo para colgar la herramienta rotatoria mientras utiliza un eje flexible (no está incluido).

ARMADO

ADVERTENCIA:

No use este producto si no está totalmente ensamblado o si alguna pieza falta o está dañada. Si utiliza un producto que no se encuentra ensamblado de forma correcta y completa, puede sufrir lesiones graves.

ADVERTENCIA:

No intente modificar este producto ni hacer accesorios no recomendados para la misma. Cualquier alteración o modificación constituye maltrato el cual puede causar una condición peligrosa, y como consecuencia posibles lesiones corporales serias.

Si hay piezas dañadas o faltantes, le suplicamos llamar al 1-800-525-2579, donde le brindaremos asistencia.

FUNCIONAMIENTO

ADVERTENCIA:

No permita que su familiarización con este producto le vuelva descuidado. Tenga presente que un descuido de un instante es suficiente para infligir una lesión grave.

ADVERTENCIA:

Siempre póngase protección ocular con protección lateral con la marca de cumplimiento de la norma ANSI Z87.1. Si no cumple esta advertencia, los objetos que salen despedidos pueden producirle lesiones serias en los ojos.

ADVERTENCIA:

No utilice ningún aditamento o accesorio no recomendado por el fabricante de esta herramienta. El empleo de aditamentos o accesorios no recomendados podría causar lesiones serias.

APLICACIONES

Este producto puede emplearse para los fines enumerados abajo:

- Tallar, grabar, pulir, limpiar, eliminar óxido, lijar, cortar, esmerilar, afilar, perforar y fresar

PORTAHERRAMIENTAS DE CAMBIO RÁPIDO

Vea la figura 2, página 15.

NOTA: La herramienta viene con un portaherramientas preinstalado y maquinado que se adapta a accesorios con un vástago de 3,2 mm (1/8 pulg.) de diámetro. Una vez instalado, el portaherramientas de cambio rápido permite al usuario cambiar los accesorios sin usar herramientas y sin quitar el portaherramientas del eje. El portaherramientas de cambio rápido no es compatible con vástagos de 1,6 mm.

Para quitar o instalar el portaherramientas de cambio rápido:

- Desconecte la herramienta rotatoria.
- Oprima y mantenga el botón de bloqueo del husillo hacia delante y gire el eje con la mano hasta que el seguro del husillo calce en el eje e impida que siga girando.
- Con el seguro del husillo activado, coloque la llave de 9,53 mm incluida en el extremo inferior roscado del portaherramientas de cambio rápido y gire hacia la izquierda para aflojar. Continúe girando hacia la derecha para quitar el portaherramientas de la herramienta.
- Retire el portaherramientas de cambio rápido.
- **Para instalarlo,** active el seguro del husillo. Coloque el portaherramientas de cambio rápido en el husillo y comience a roscar a mano hasta que haya resistencia. Luego use la llave de 9,53 mm incluida en el extremo

inferior roscado del portaherramientas y gire hacia la derecha para ajustar firmemente.

ADVERTENCIA:

Siempre use el portaherramientas que coincida con el tamaño de fuste del accesorio que planea usar. Nunca fuerce un fuste de diámetro grande al introducirlo en un portaherramientas. El accesorio debe entrar suavemente en el portaherramientas, pero deberá poder apretar el accesorio firmemente para que quede fijo con el portaherramientas de cambio rápido.

PRECAUCIÓN:

Para evitar dañar el husillo o el seguro del mismo, siempre deje que el motor se detenga completamente antes de enganchar el seguro.

INSTALACIÓN/DESMONTAJE DE LOS ACCESORIOS

Vea las figuras 3 y 4, página 15.

Para instalar:

- Desconecte la herramienta rotatoria.
- Elija un accesorio que se ajuste al portaherramientas y que sea adecuado para la aplicación en cuestión.
- Asegúrese de que portaherramientas de cambio rápido esté instalado de forma segura en el eje.
- Mientras presiona el seguro del husillo, afloje el portaherramientas con la mano girando el casquillo hacia la izquierda.
- Introduzca el fuste del accesorio en el portaherramientas hasta que llegue al fondo, y luego extráigalo 1,59 mm (1/16 pulg.) para permitir la expansión cuando se caliente el accesorio.
- Gire el casquillo del portaherramientas hacia la derecha hasta que el enganche se detenga y el vástago del accesorio quede agarrado por el portaherramientas.

NOTA: Si el casquillo no se puede ajustar o aflojar lo suficiente a mano, use la llave del portaherramientas de 9,53 mm incluida en el área hexagonal superior del portaherramientas. Gire hacia la derecha para ajustar o hacia la izquierda para aflojar.

Para el desmontaje:

- Desconecte la herramienta rotatoria.
- Enganche el bloqueo del husillo.
- Gire la manga del portaherramientas hacia la izquierda para aflojarlo.
- Retire el accesorio.

NOTA: Al intentar quitar un accesorio, si el portaherramientas de cambio rápido comienza a desenroscarse de la herramienta, repita el proceso de instalación.

FUNCIONAMIENTO

USO DEL MANDRIL

Vea la figura 5, página 15.

Uno de los tipos más comunes de mandril que se utiliza con esta herramienta es el mandril estándar que se usa con discos de troceado, muelas abrasivas, muelas de esmeril y muelas de troceado. El mandril roscado se utiliza con discos y tambores pulidores. El mandril de tambor se utiliza con tambores lijadores.

Para la instalación:

- Desconecte la herramienta rotatoria.
- Instale el mandril.

Si utiliza el mandril estándar:

- Oprima y no suelte el seguro del husillo.
- Introduzca el extremo para ranuras de la llave suministrada en la ranura de la parte superior del mandril y desenrosque.
- Retire el tornillo y la arandela del mandril.
- Coloque el accesorio deseado sobre el eje del mandril y alinee el orificio del accesorio con el orificio del mandril.
- Introduzca el tornillo del mandril con la arandela a través del orificio del accesorio y el del eje del mandril.

NOTA: La arandela del mandril debe colocarse entre el tornillo del mandril y el accesorio.

- Apriete usando la llave suministrada.

Si utiliza el mandril roscado:

- Alinee el orificio del accesorio deseado con la cabeza del tornillo del mandril.
- Atornille el accesorio en el mandril girándolo a la derecha hasta que quede ajustado.

Si utiliza el mandril de tambor:

- Alinee el tambor de lijado del tamaño adecuado sobre el mandril y empuje hacia abajo hasta cubrir por completo el extremo para tambor del mandril.

NOTA: Si es necesario, apriete el tornillo en la cabeza del mandril de tambor para expandir el tambor y sujetar firmemente el tambor de lijado en su lugar.

EQUILIBRIO DE LOS ACCESORIOS

Para lograr un trabajo preciso, es importante que todos los accesorios estén equilibrados adecuadamente. Para equilibrar un accesorio, afloje levemente la portaherramientas de cambio rápido y gire el accesorio o el portaherramientas 6,35 mm (1/4 pulg.). Por lo que escuche y sienta al tacto, debe poder darse cuenta si el accesorio está funcionando equilibradamente. Siga ajustando de esta manera hasta obtener el mejor equilibrio posible. Reemplace los accesorios si se dañan o desequilibran.

INSTALACIÓN DE UN CABEZAL ACCESORIO A LA HERRAMIENTA ROTATORIA

Vea la figura 6, página 16.

ADVERTENCIA:

Lea y comprenda todo el manual del operador de cada cabezal accesorio opcional que use en esta herramienta rotatoria y siga todas las advertencias e instrucciones. El incumplimiento de las instrucciones puede provocar descargas eléctricas, incendios o lesiones personales graves.

ADVERTENCIA:

Esta herramienta rotatoria está diseñada para usarse solo con los modelos de cabezal de accesorio que se especifican en este manual del operador. El uso de otros cabezales accesorios podría causar lesiones personales graves o daños materiales.

ADVERTENCIA:

Nunca instale, retire ni ajuste ningún cabezal accesorio mientras la herramienta rotatoria está en funcionamiento. Si no apaga el motor, puede sufrir lesiones personales graves. Nunca opere la herramienta rotatoria sin un cabezal accesorio o el portaherramientas instalados.

La herramienta rotatoria solo se puede utilizar con los siguientes cabezales accesorios RYOBI:

- Guía de plataforma de 45 grados A90PG01
- Guía de plataforma de 90 grados A90PG02
- Guía de afilado de motosierra A90SG01
- Guía de afilado de podadora A90SG02
- Guía de eliminación de lechada A90GG01
- Accesorio protector de residuos A90DS01
- A90CG01 guía de corte
- Accesorio de tubo flexible A90FS01

Para instalar un cabezal accesorio:

- Desconecte la herramienta rotatoria.
- Retire los accesorios y el portaherramientas de cambio rápido.
- Sostenga el portaherramientas firmemente y luego gírelo hacia la izquierda para aflojarlo y quitarlo.
- Siga las instrucciones del manual del operador del cabezal accesorio RYOBI para instalar el cabezal accesorio.

Para retirar un cabezal accesorio:

- Desconecte la herramienta rotatoria.
- Retire los accesorios y el portaherramientas de cambio rápido.

FUNCIONAMIENTO

- Siga las instrucciones del manual del operador del cabezal accesorio RYOBI para retirar el cabezal accesorio.
- Vuelva a instalar el portaherramientas o instale otro cabezal accesorio.

CÓMO ENCENDER Y APAGAR LA HERRAMIENTA ROTATORIA

Veja la figura 9, página 16.

- Para **encender** la herramienta: empuje el INTERRUPTOR ENC./APAG. (I / O) a la posición ENC. (I).
- Para **apagar** la herramienta: empuje el INTERRUPTOR ENC./APAG. (I / O) a la posición APAG. (O).

SELECCIÓN DE LA VELOCIDAD CORRECTA

Veja las figuras 7 y 8, página 16.

La herramienta rotatoria tiene una gama de velocidad que va desde 5 000 hasta 35 000 RPM. Para seleccionar la velocidad correcta para cada tarea, use una pieza de material de práctica. Varíe la velocidad hasta encontrar la

mejor velocidad para el accesorio que está utilizando y la tarea que tiene que realizar.

Utilice la marca del indicador sobre el selector de control de velocidad para configurar la velocidad más adecuada para el trabajo. El selector de control de velocidad está numerado del 1 al 3. Las velocidades de cada configuración son:

- Velocidad (1)..... 5,000 RPM
- Velocidad (2)..... 15,000 RPM
- Velocidad (3)..... 35,000 RPM

Consulte la tabla **Recomendaciones de velocidad según la aplicación** para determinar la velocidad adecuada según el material con el que se trabaja y el tipo de accesorio que se utiliza.

VELOCIDADES LENTAS

Ciertos materiales (p. ej., algunos plásticos) requieren una velocidad relativamente baja, dado que la fricción de la herramienta genera calor y hace que el plástico se derrita a alta velocidad.

RECOMENDACIONES DE VELOCIDAD SEGÚN LA APLICACIÓN*

Tipo de accesorio	Madera suave	Madera dura	Laminados plásticos	Acero	Aluminio, latón, etc.	Piedra incrustada/ Piedra	Cerámica	Vidrio
Discos de troceado	15-35K	15-35K	5-15K	35K	35K	N/A	N/A	N/A
Discos de trocear de fibra de vidrio	15-35K	15-35K	5-15K	35K	35K	N/A	N/A	N/A
Tambores de lijado	15-35K	15-35K	5-15K	15-35K	15-35K	15-35K	N/A	N/A
Disco de pulido de fieltro	5-15K	5-15K	5-15K	5-15K	5-15K	5-15K	5-15K	5-15K
Piedras de esmeril de óxido de aluminio	15-35K	15-35K	5-15K	15-35K	15-35K	N/A	N/A	N/A
Piedra de esmeril de carburo de silicón	N/A	N/A	N/A	15-35K	15-35K	15-35K	5-35K	N/A
Broca de acero de alta velocidad	35K	35K	15-35K	35K	35K	—	—	—
Trépano cortante para paneles de yeso	35K (sólo para paneles de yeso)							

* Los ajustes proporcionados en la tabla son recomendaciones de rangos de funcionamiento para lograr un mejor rendimiento.

FUNCIONAMIENTO

Las velocidades bajas (15000 RPM o menos) suelen ser las ideales para las operaciones de pulido en las que se utilicen accesorios de pulido. También pueden ser las velocidades ideales para trabajar en proyectos delicados, tallado de madera delicado y con piezas de modelos frágiles.

Las velocidades más altas son ideales para tallar, cortar y moldurar madera.

Las maderas duras, los metales y el vidrio requieren una alta velocidad de funcionamiento. El taladrado debe realizarse a altas velocidades.

Para determinar la velocidad de funcionamiento óptima para los distintos materiales y accesorios, consulte la tabla **Recomendaciones de velocidad según la aplicación** en la próxima página. Mire esta tabla y familiarícese con ella.

La mejor manera de determinar la velocidad correcta para trabajar con cualquier material es practicar durante algunos minutos en una pieza de desecho, incluso después de consultar la tabla. Rápidamente, puede darse cuenta si una velocidad más baja o más alta es más efectiva, simplemente observando lo que sucede cuando realiza una o dos pasadas a diferentes velocidades.

Cuando se trabaja con una pieza de desecho de plástico, comience trabajando a una baja velocidad y aumentela hasta advertir si el plástico se derrite en el punto de contacto; reduzca levemente la velocidad para obtener una velocidad de trabajo óptima, sin que se derrita la pieza de trabajo.

NOTA:

- El plástico y los materiales que pueden derretirse en temperaturas bajas deben cortarse a una velocidad baja.
- La madera blanda debe cortarse a alta velocidad.
- El aluminio, el estaño y las aleaciones de cobre, plomo y cinc pueden cortarse a cualquier velocidad, según el tipo de corte que se realice. Use parafina u otro lubricante adecuado sobre la fresa para evitar que el material cortado se adhiera a los dientes de la fresa.

UTILIZACIÓN DE LA HERRAMIENTA ROTATORIA

Vea las figuras 9 y 10, página 16.

Cómo usar la herramienta rotatoria:

- Sostenga la herramienta con la mano y acostúmbrese a su peso, equilibrio y a la porción cónica del armazón. Esta porción cónica permite sujetar la herramienta con el método de “agarre tipo lápiz” o con el método de “agarre tipo golf”.
- Examine cuidadosamente los accesorios de la herramienta rotatoria. Los accesorios dañados pueden salir lanzados al tomar velocidad y, por lo tanto, no se los debe utilizar. El uso de accesorios dañados puede producir lesiones serias.

- Practique primero con materiales de desecho para ver cómo funciona la herramienta. Tenga presente que el trabajo es realizado por la velocidad de la herramienta y el accesorio que se encuentra en el portaherramientas. Usted no debe inclinarse sobre la herramienta ni empujarla contra la pieza de trabajo.

Se recomienda hacer una serie de pasadas con la herramienta en lugar de intentar completar todo el trabajo en una sola pasada. Para efectuar un corte, mueva la herramienta hacia atrás y hacia adelante sobre la pieza de trabajo como si fuera un pincel pequeño. Corte un poco de material en cada pasada hasta alcanzar la profundidad deseada. Para la mayoría de los trabajos, es mejor usar la herramienta con suavidad; tendrá mayor control, cometerá menos errores y logrará que el accesorio realice un trabajo más eficiente.

Para tener mayor control en un trabajo minucioso, sujete la herramienta como si fuera un lápiz colocándola entre el pulgar y el índice.

Se utiliza el método de “empuñadura del mango” para sujetar la herramienta para operaciones como el esmerilado de una superficie plana o el uso de discos de troceado.

Se utiliza el método de “agarre tipo golf” para sujetar la herramienta para operaciones como el esmerilado de una superficie plana.

Para utilizar la herramienta rotatoria:

- Asegure la pieza de trabajo con una prensa fija o una prensa de mano en un banco de trabajo para evitar que se mueva bajo la herramienta.
- Sostenga la herramienta al frente y lejos de usted, sin que el accesorio de la herramienta toque la pieza de trabajo.
- Encienda la herramienta y deje que el motor y el accesorio alcancen la máxima velocidad.
- Baje gradualmente la herramienta hasta que el accesorio toque la pieza de trabajo.
- Mueva continuamente la herramienta, a un paso estable y uniforme.
- Aplique justamente la presión suficiente para evitar el traqueteo y el rebote de la herramienta.

NOTA: Una presión elevada disminuye la velocidad de la herramienta y exige más esfuerzo por parte del motor. El peso de la herramienta por sí mismo suministra la presión adecuada para la mayoría de los trabajos.

- Levante la herramienta para separarla de la pieza de trabajo antes de apagarla. of the tool and by the accessory in the collet. You should not lean on or push the tool into the work.

MANTENIMIENTO

ADVERTENCIA:

Al dar servicio a la unidad, sólo utilice piezas de repuesto idénticas. El empleo de piezas diferentes puede causar un peligro o dañar el producto.

ADVERTENCIA:

Siempre póngase protección ocular con protección lateral con la marca de cumplimiento de la norma ANSI Z87.1. Si no cumple esta advertencia, los objetos que salen despedidos pueden producirle lesiones serias en los ojos.

MANTENIMIENTO GENERAL

Evite el empleo de solventes al limpiar piezas de plástico. La mayoría de los plásticos son susceptibles a diferentes tipos de solventes comerciales y pueden resultar dañados. Utilice paños limpios para eliminar la suciedad, el polvo, el aceite, la grasa, etc.

ADVERTENCIA:

No permita en ningún momento que fluidos para frenos, gasolina, productos a base de petróleo, aceites penetrantes, etc., lleguen a tocar las piezas de plástico. Las sustancias químicas pueden dañar, debilitar o destruir el plástico, lo cual a su vez puede producir lesiones corporales serias.

Las herramientas eléctricas que se utilizan en materiales de fibra de vidrio, paneles de yeso para paredes, compuestos de resana o yeso, están sujetas a desgaste acelerado y posible fallo prematuro porque las partículas y limaduras de fibra de vidrio son altamente abrasivas para los cojinetes, escobillas, conmutadores, etc. Por consiguiente, no recomendamos el uso de esta herramienta durante períodos prolongados de trabajo en estos tipos de materiales. Sin embargo, si usted trabaja con cualquiera de estos materiales, es sumamente importante limpiar la herramienta con aire comprimido.

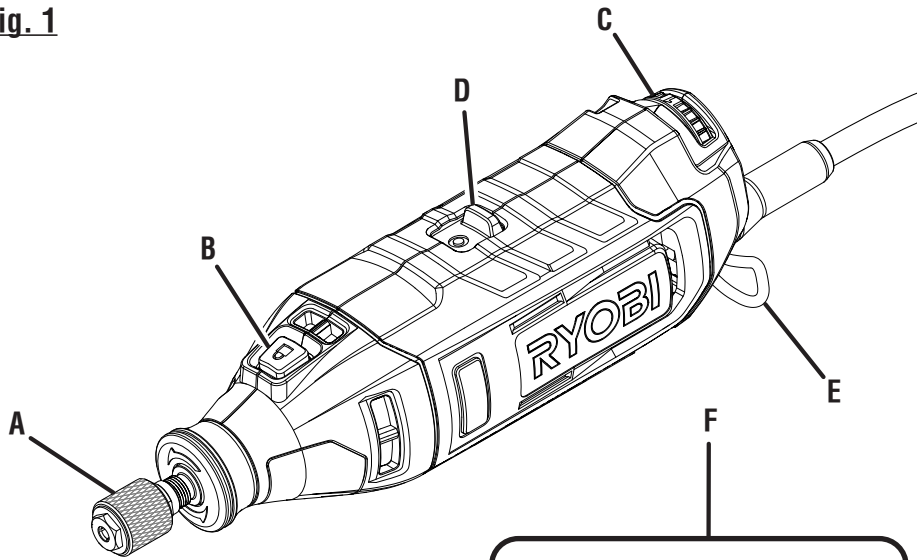
LUBRICACIÓN

Todos los cojinetes de esta herramienta están lubricados con suficiente cantidad de aceite de alta calidad para toda la vida útil de la unidad en condiciones normales de funcionamiento. Por lo tanto, no se necesita lubricación adicional.

REEMPLAZO DEL CORDÓN DE CORRIENTE

Un centro de servicio autorizado deben cambiar el cordón de corriente, en caso de que sea necesario, para evitar peligros.

Fig. 1



- A - Quick-change collet (douille à changement rapide, portaherramientas de cambio rápido)
- B - Spindle lock (bouton de verrouillage de la broche, seguro del husillo)
- C - Speed control dial (cadran de contrôle de vitesse, selector de control de velocidad)
- D - On/off (I/O) switch (interrupteur marche / arrêt (I/O), interruptor enc./apag. [I/O])
- E - Tool hanger (support pour outil, perchero para herramientas)
- F - Accessories (assortment may vary) [accessoires (l'assortiment peut varier), accesorios (la selección puede variar)]

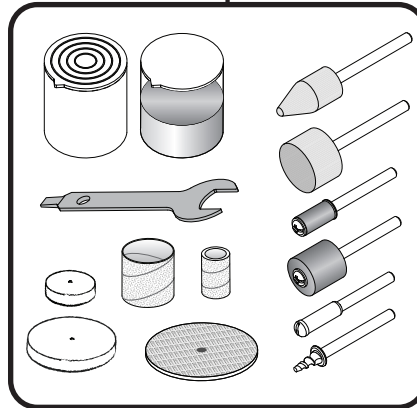
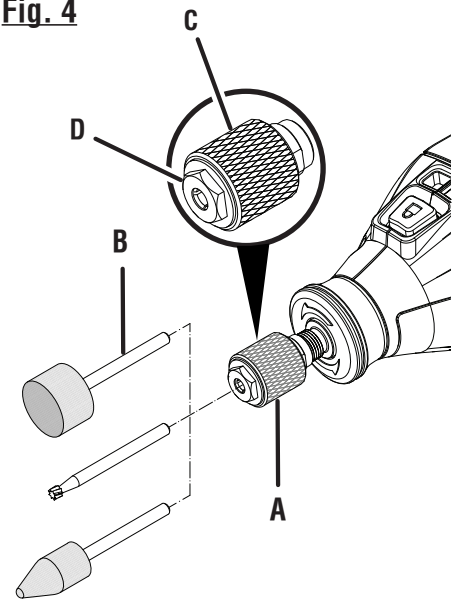
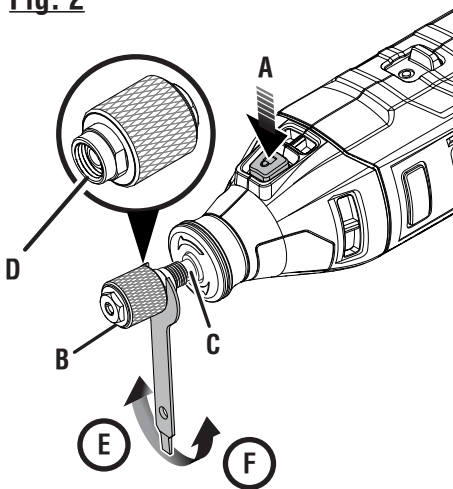


Fig. 4



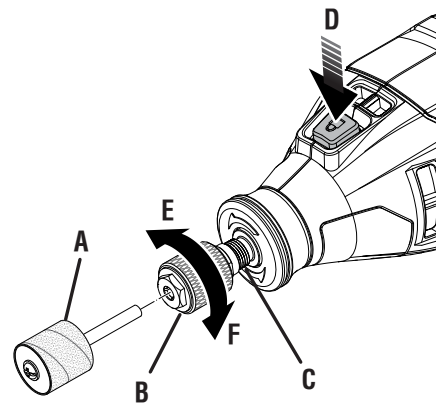
- A - Quick-change collet (douille à changement rapide, portaherramientas de cambio rápido)
- B - Accessory (accessoire, accesorio)
- C - Sleeve (manchon, casquillo)
- D - Hexed end (hexed end, hexed end)

Fig. 2



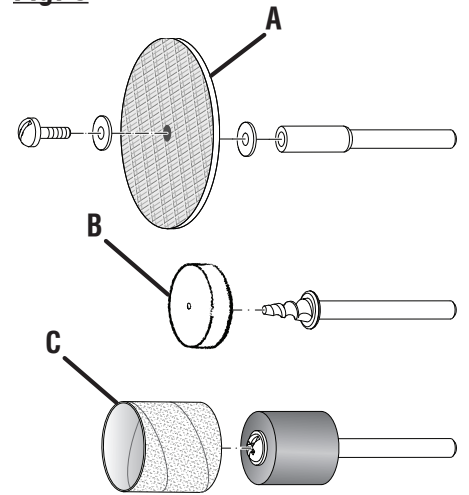
- A - Spindle lock (bouton de verrouillage de la broche, seguro del husillo)
- B - Quick-change collet (douille à changement rapide, portaherramientas de cambio rápido)
- C - Shaft (arbre, eje)
- D - Threaded end (extrémité filetée, extremo a rosca)
- E - Tighten (serrer, apretar)
- F - Loosen (desserrer, aflojar)

Fig. 3



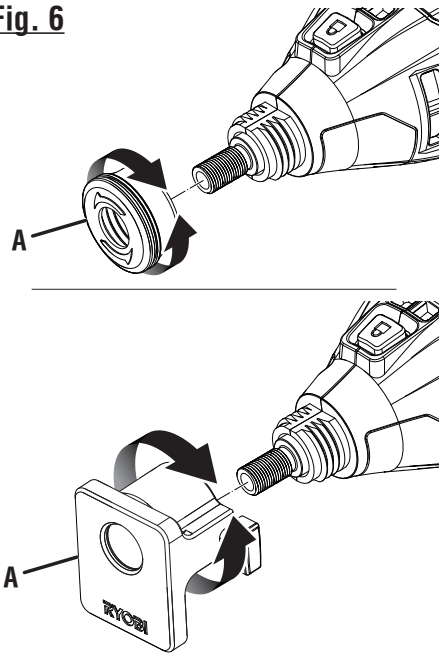
- A - Accessory (accessoire, accesorio)
- B - Quick-change collet (douille à changement rapide, portaherramientas de cambio rápido)
- C - Spindle (broche, husillo)
- D - Spindle lock (bouton de verrouillage de la broche, seguro del husillo)
- E - To unlock (pour déverrouillage, para desbloquear)
- F - To lock (pour verrouiller, para asegurar)

Fig. 5



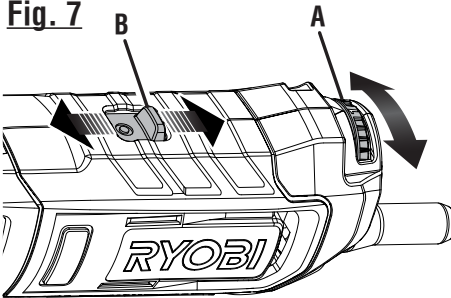
- A - Fiberglass cut-off wheel (disque à tronçonner en fibre de verre, disco de trocear de fibra de vidrio)
- B - Felt polishing pad (coussinet de polissage en feutre, almohadilla de pulido de fieltro)
- C - Sanding drums (tambours de ponçage, tambores de lijado)

Fig. 6



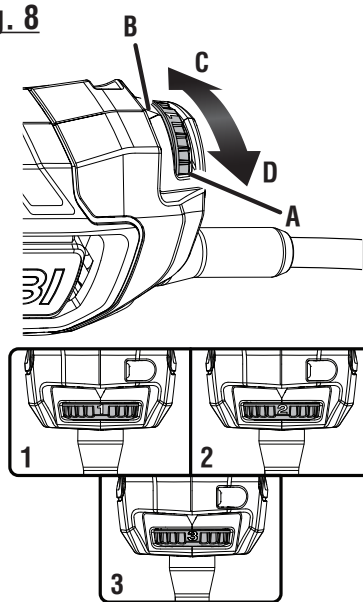
- A - Collar (collier, collar)
B - Attachment head (tête de l'accessoire, cabezal del accesorio)

Fig. 7



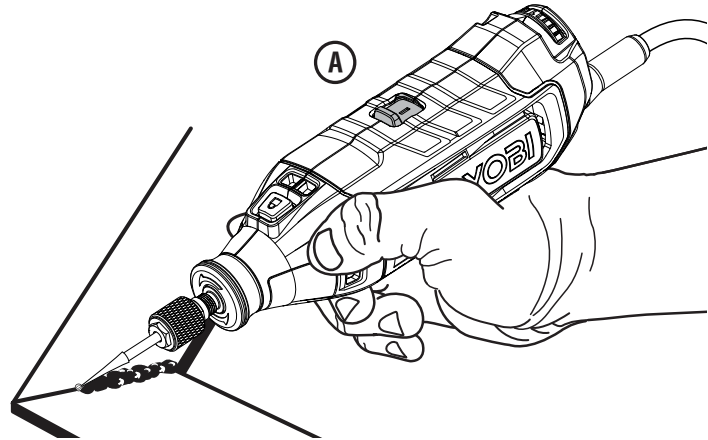
- A - Speed control dial (cadran de contrôle de vitesse, selector de control de velocidad)
B - On/off (I/O) switch (interrupteur marche / arrêt (I/O), interruptor enc./apag. [I/O])

Fig. 8



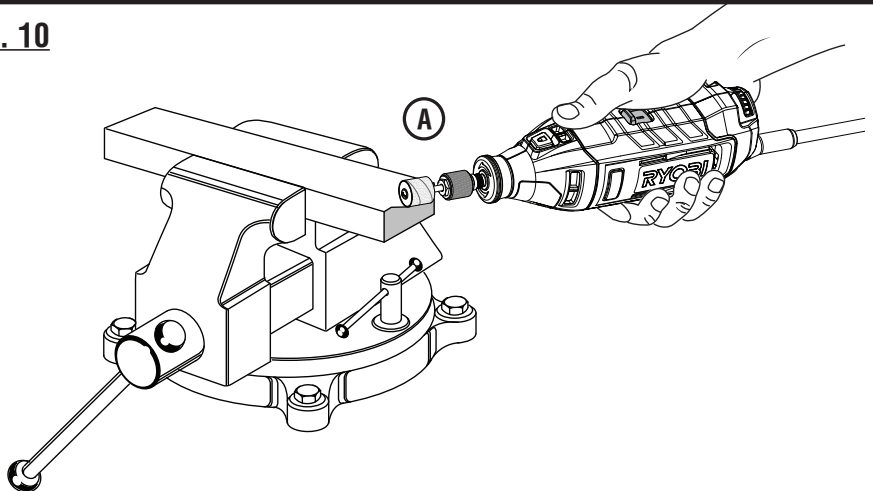
- A - Speed control dial (cadran de contrôle de vitesse, selector de control de velocidad)
B - Indicator mark (marque de l'indicateur, marca del indicador)
C - Less speed (vitesse réduite, menos velocidad)
D - More speed (vitesse élevée, más velocidad)

Fig. 9



- A - "Pencil grip" method (méthode « prise de type crayon », método de "agarre tipo lápiz")

Fig. 10



- A - "Golf grip" method (méthode « prise de type golf », método de "agarre tipo golf")



**OPERATOR'S MANUAL / 1.2 AMP ROTARY TOOL
MANUEL D'UTILISATION / D'OUTIL ROTATIF, 1,2 A
MANUAL DEL OPERADOR / HERRAMIENTA ROTATORIA, 1,2 A
RRT100**

To request service, purchase replacement parts,
locate an Authorized Service Center or obtain Customer or Technical Support:
Visit **www.ryobitools.com** or call **1-800-525-2579**

If any parts or accessories are damaged or missing, do not return this product to the store.
Call **1-800-525-2579** for immediate service.

Please obtain your model and serial number from the product data plate.
This product is covered under a 3-year limited Warranty. Proof of purchase is required.

MODEL NUMBER* _____ SERIAL NUMBER _____

**Model number on product may have additional letters at the end. These letters designate manufacturing information and should be provided when calling for service.*

RYOBI is a trademark of Ryobi Limited and is used pursuant to a license granted by Ryobi Limited.

Pour faire une demande de réparations ou obtenir des pièces de rechange, trouver un
Centre de réparations agréé pour obtenir un soutien technique ou le Service à la clientèle :
Visiter **www.ryobitools.com** ou en téléphonant au **1-800-525-2579**

Si des pièces ou accessoires sont manquantes ou endommagées, ne pas retourner
ce produit au magasin. Appeler immédiatement au **1-800-525-2579** pour obtenir de l'aide.

Inscrire les numéros de modèle et de série inscrits sur la plaque d'identification du produit.
Ce produit est couvert par une garantie limitée de trois (3) ans. Une preuve d'achat est exigée.

NUMÉRO DE MODÈLE* _____ NUMÉRO DE SÉRIE _____

**Le numéro de modèle sur le produit peut contenir des lettres supplémentaires à la fin. Ces lettres désignent les informations du fabricant et doivent être fournies lors d'un appel de demande de service.*

RYOBI est une marque de Ryobi Limited et est utilisée en vertu d'une licence accordée par Ryobi Limited.

Para obtener servicio, comprar piezas de repuesto, localizar un centro
de servicio autorizado y obtener Servicio o Asistencia Técnica al Consumidor:
Visite **www.ryobitools.com** o llame al **1-800-525-2579**

Si hay alguna pieza ou accesorios dañada o faltante, no devuelva este producto a la tienda.
Llame al **1-800-525-2579** para servicio técnico inmediato.

Obtenga su modelo y número de serie de la placa de datos del producto.
Este producto está cubierto con una garantía limitada de 3 años. Se solicita prueba de la compra.

NÚMERO DE MODELO* _____ NÚMERO DE SERIE _____

**El número de modelo que figura en el producto podría tener letras adicionales al final. Estas designan información de fabricación y deben suministrarse cuando llame para obtener asistencia o servicio.*

RYOBI es una marca de Ryobi Limited y se utiliza conforme a una licencia otorgada por Ryobi Limited.

TTI CONSUMER POWER TOOLS, INC.

P.O. Box 1288, Anderson, SC 29622 • Phone 1-800-525-2579
États-Unis, Téléphone 1-800-525-2579 • USA, Teléfono 1-800-525-2579

www.ryobitools.com