



Repair Parts

B2000-8 Cyclone[®] Bender

Effective for models with serial numbers beginning with "N".

GAR_TL_024

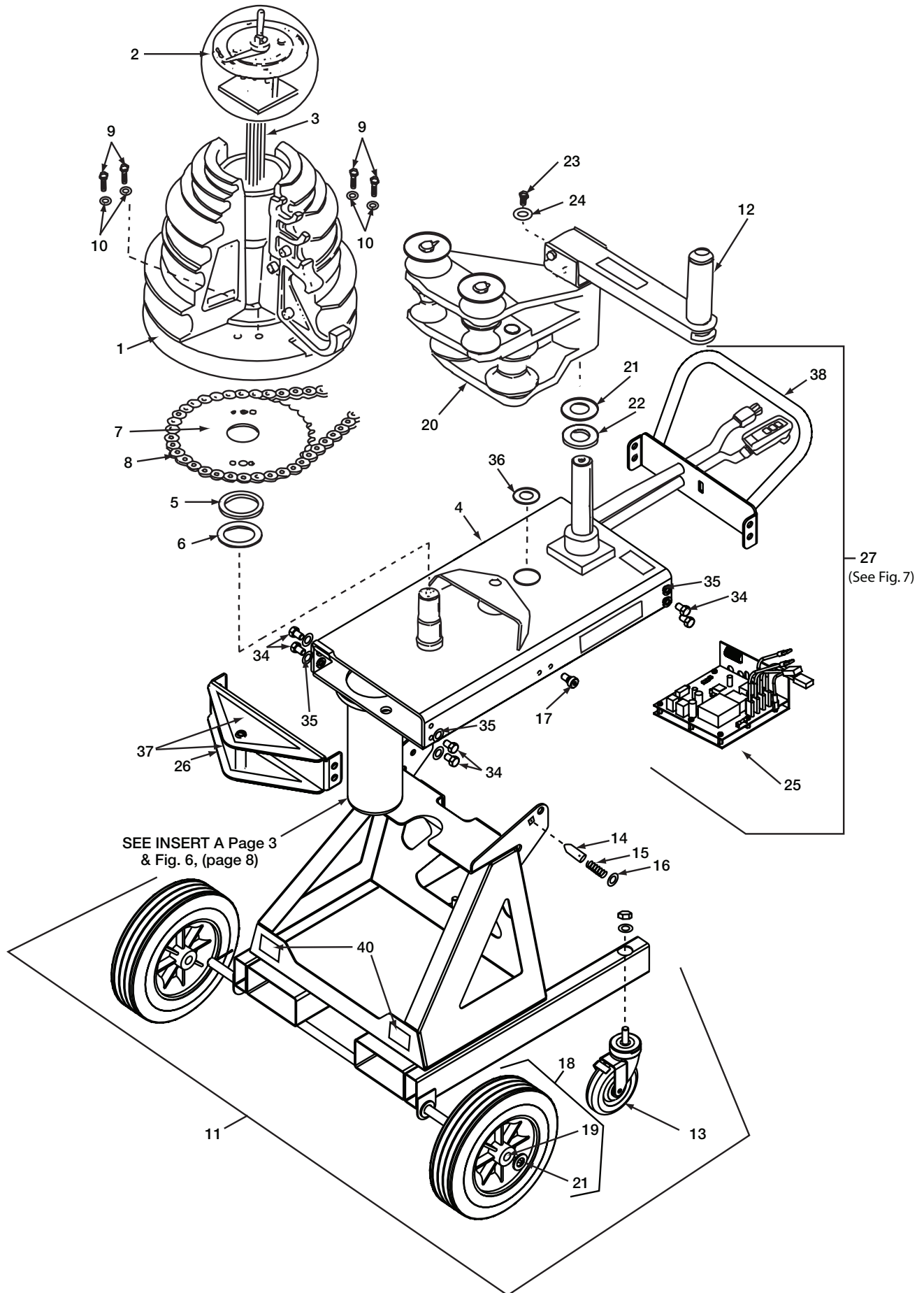
IMPORTANT: RECEIVING INSTRUCTIONS

Visually inspect all components for shipping damage.
If you find damage, notify the carrier at once.

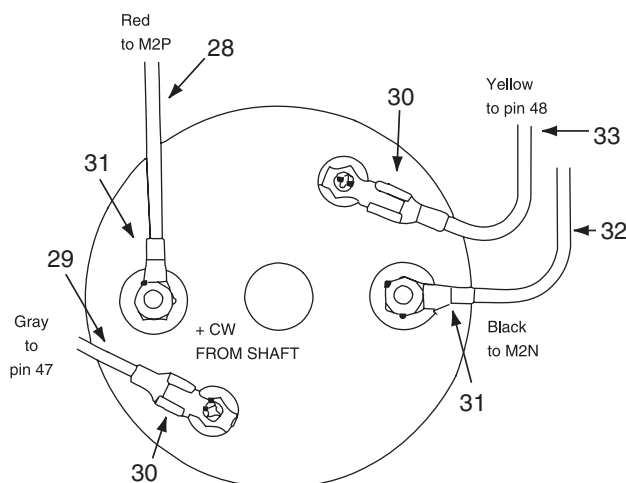
Shipping damage is NOT covered by warranty. The carrier is responsible for all repair or replacement costs resulting from damage in shipment.



Figure 1
B2000 Bender Assembly



INSERT A

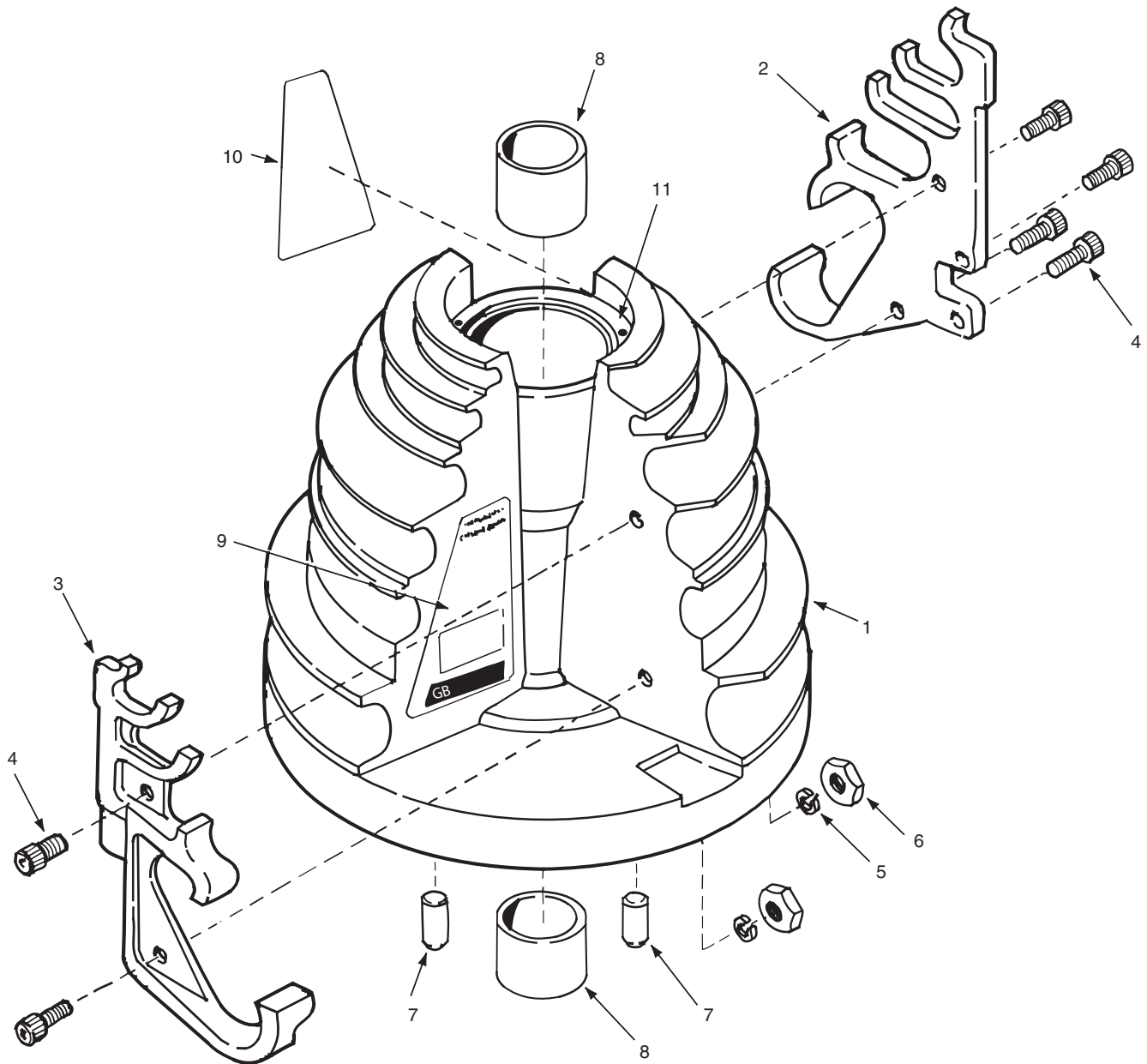


Bottom of Electric Motor
Parts List Below

B2000 Bender Assembly			
Item #	Part #	# Req'd	Description
1	Figure 2, pg. 4	1	Shoe Sub Assm
2	Figure 3, pg. 5	1	Limit Switch Assm
3	CL712647SR	1	Cable, Limit and Switch
4	SHM115	1	Sprocket Housing
5	CL157108	1	Washer, Shoe
6	CL221108	1	Washer, Thrust
7	CL170228	1	Shoe Sprocket
8	CL333066	1	Chain
9	Common Repl. Part	4	$\frac{3}{8}$ "-24 x 2- $\frac{1}{2}$ Grade 5 Zinc Plated Hex Cap Screw
10	Common Repl. Part	4	$\frac{3}{4}$ " plu SAE Flat Washer
11	LA205	1	Leg Assembly (incl. 13, 19 & 21)
12	CK994900	1	Upper Roller and Handle (Figure 5)
13	CB208	2	Casters Assm (Hardware incl.)
14	CL185061	1	Locking Pin
15	CL183110	1	Spring
16	F57044	1	Ring
17	M00084	2	Screw, Shoulder
18	WB207	2	Wheel Assm (incl. 19 & 21)
19	Common Repl. Part	2	$\frac{3}{32}$ " x 1- $\frac{1}{4}$ " Zinc plated cotter pin

B2000 Bender Assembly, cont.			
Item #	Part #	# Req'd	Description
20	CU295900K	1	Roller Housing Assm (Figure 4)
21	CK696108	1	Washer
22	CL229248	4	Shim
23	Common Repl. Part	1	$\frac{3}{8}$ " -16 x 1" g. Low Carbon Hex Head Cap Screw Zinc plated
24	Common Repl. Part	1	$\frac{5}{8}$ " Zinc plated USS Flat Washer
25	EC2006	1	Relay Control Assm (Figure 9)
26	LP204	1	End Plate (incl. 34 & 35)
27	HC12	1	Handle & Ctrl Ckt Assm (Figure 7)
28	call tech support	1	Wire Assembly (See Above)
29	call tech support	1	Wire Assembly (See Above)
30	E1001104	2	Push-on Connector (See Above)
31	E1001021	2	Ring-Tongue Connector (See Above)
32	call tech support	1	Wire Assembly (See Above)
33	call tech support	1	Wire Assembly (See Above)
34	Common Repl. Part	8	$\frac{1}{2}$ "-13 x $\frac{7}{8}$ " Alloy Plain Finish Socket Head Cap Screw
35	Common Repl. Part	8	$\frac{1}{2}$ " Plain Finish High Collar Lock Washer
36	CM129006	1	Seal
37	LK15	2	Decal Kit
38	H905	1	Rear Handle

Figure 2
Shoe Subassembly



Shoe Subassembly			
Item #	Part #	# Req'd	Description
1	CL199809K	1	Shoe Bending (Incl. items 7, 8, 9 and 10)
2	CN542005	1	Clamp, IMC (Incl. items 4, 5, 6)
3	CN541005	1	Clamp, EMT (Incl. items 4, 5, 6)
4	Common Replaceable Part	6	5/8" -18 x 2 1/4" Plain Alloy Socket Head Cap Screw
5	Common Replaceable Part	6	5/8" Plain Finish Medium Split Lock Washer
6	Common Replaceable Part	6	5/8" -18 Low Carbon Plain Finish Finished Hex Nut

Shoe Subassembly, cont.			
Item #	Part #	# Req'd	Description
7	CK691061	2	Pin
8	CL61107	2	Bearing (includes 2)
9	CM126026	1	Instruction Decal - Stub-Up
10	CM127026	1	Instruction Decal - Offset
11	CM627028	2	Insert, Shoe

Figure 3
Limit Switch Assembly

Limit Switch Assembly		
Item #	Part #	Description
1	B2000HCK	Clamp Kit
	ZCM793055N	Thread Locker (for #1) <i>not pictured</i>
2	CM802950N	Knob Sub Assembly Kit
3	CM767108	Washer
4	CM801950	Upper Plate Assembly
5	B2000-TRK	Trip Ring Assembly Kit (Incl. #10 & #11)
6	CM803950N	Actuator Kit
7	B2000LSK	Limit Switch Kit
8	DA9687372	Limit Switching (3-Pack)
9	CM797950KW	Plate Assembly Kit
10	CM593026	Pipe size decal EMT
11	CM594026	Pipe size decal Rigid/IMC
12	ZCF679220	Springs

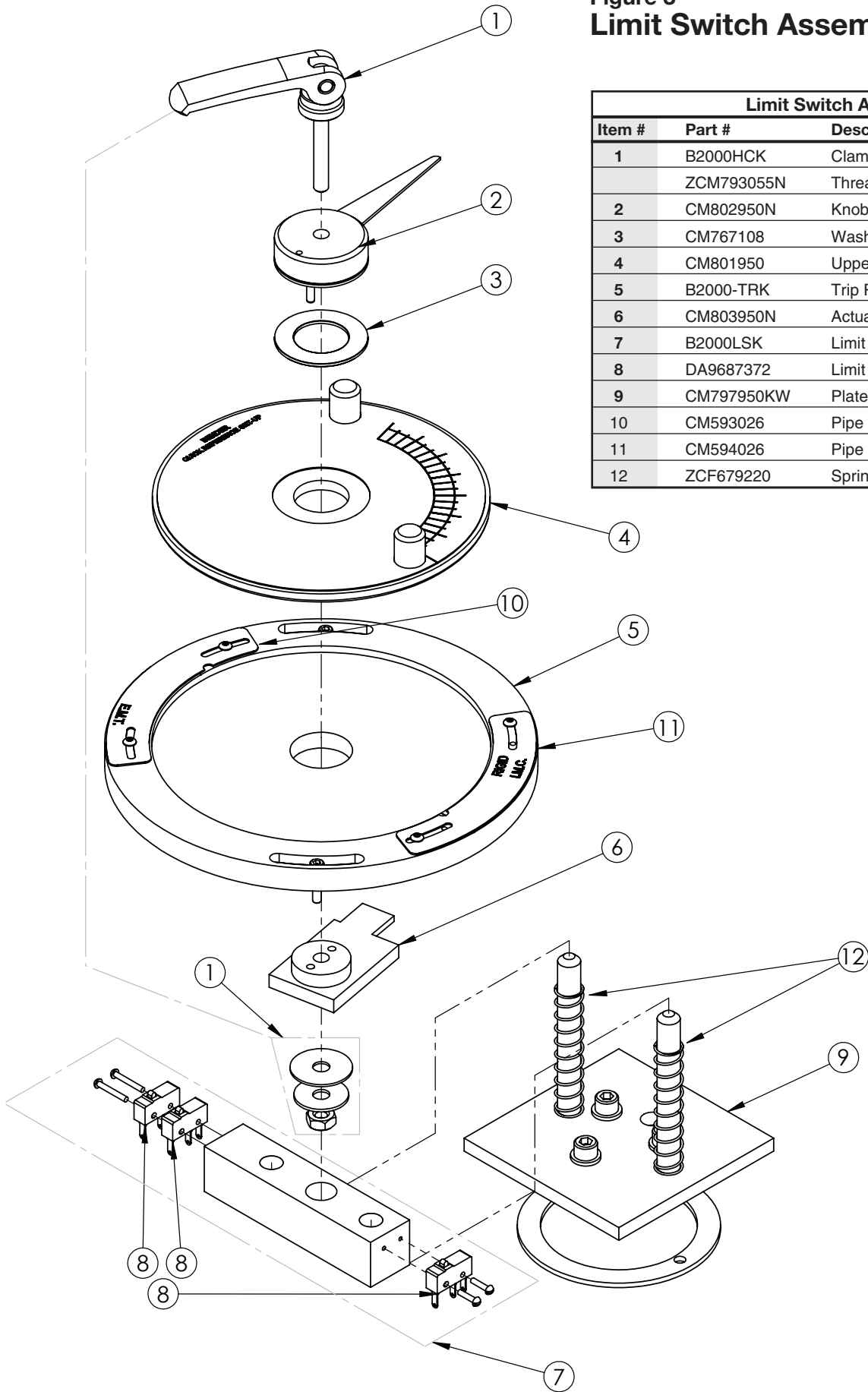
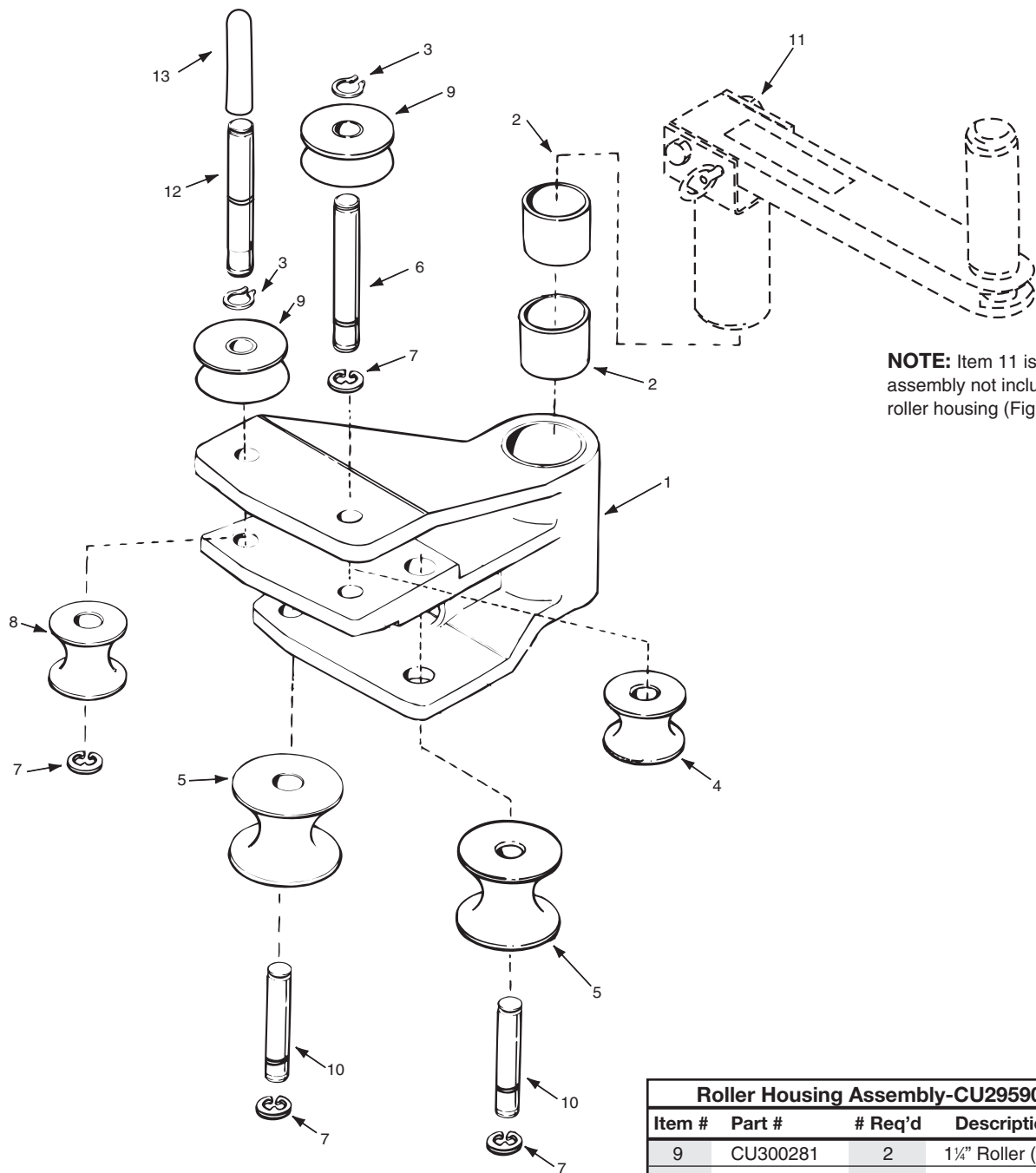


Figure 4
 Roller Housing Assembly – CU295900K



NOTE: Item 11 is a separate assembly not included with the roller housing (Figure 5).

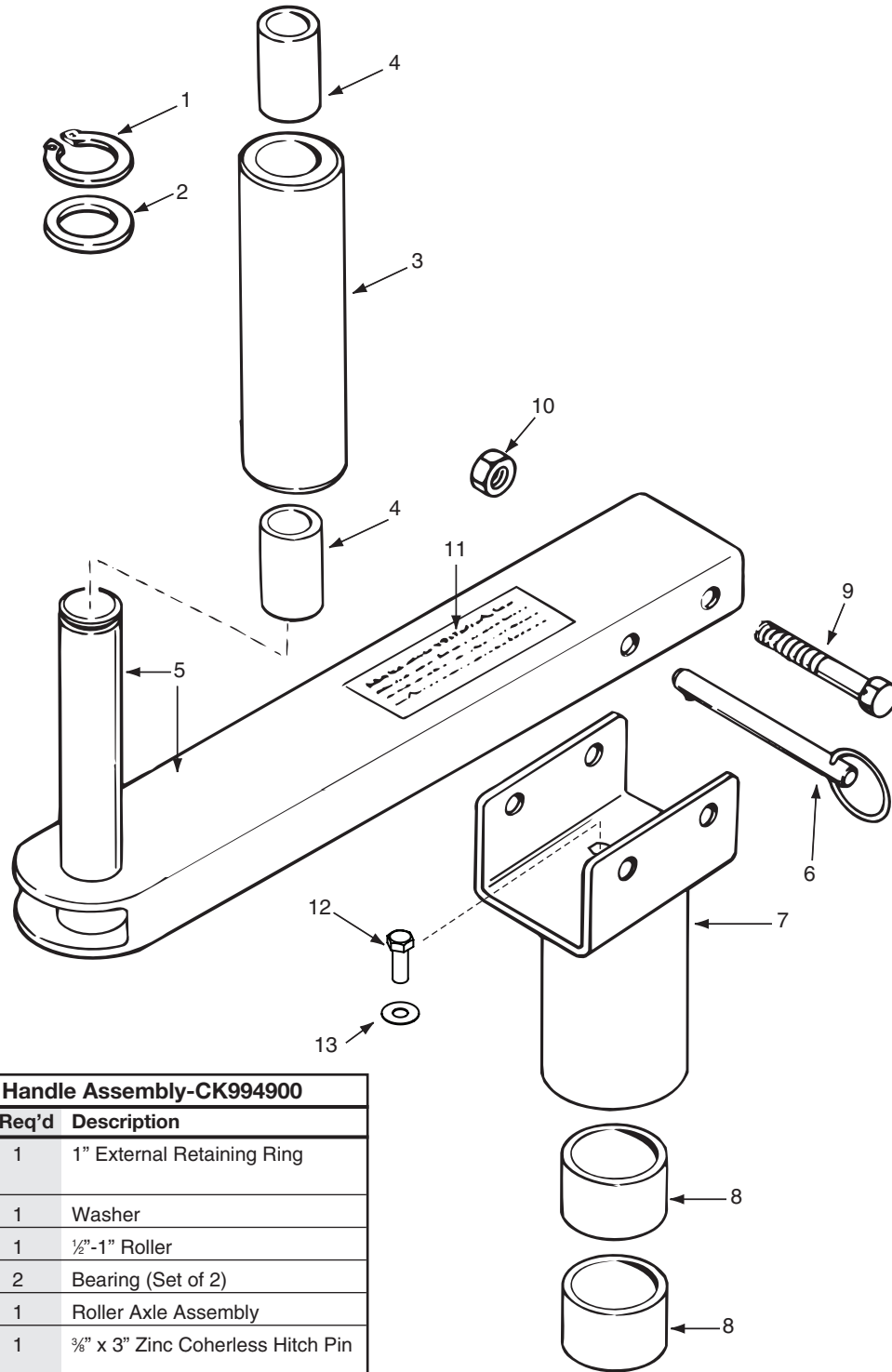
Roller Housing Assembly-CU295900K			
Item #	Part #	# Req'd	Description
1	*CU296037K	1	Housing, Roller
2	CL61107	2	Bearing
3	Common Repl. Part		$\frac{7}{8}$ " External Retaining Ring
4	CU299281	1	1½" Roller
5	CU298281	2	2" Roller (Set of 2)
6	CN452104K	1	Shaft, Roller
7	Common Repl. Part	4	$\frac{7}{8}$ " Carbon Spring Steel E-Clip
8	CU319281	1	1½" Roller

*When the housing is ordered, the bearings will be pre-installed.

Roller Housing Assembly-CU295900, cont.			
Item #	Part #	# Req'd	Description
9	CU300281	2	1¼" Roller (Set of 2)
10	CU297104	2	Shaft, Roller
11	CK994900	1	Upper Roller Assm (see Figure 5)
12	DC694104	1	Axle
13	CL343550	1	Grip, Handle

B2000-RK Kit includes:		
Part#	Roller and Ring Kit	Qty
#4	1½" Roller	1
#5	2" Roller (Set of 2)	2
#8	1½" Roller	1
#9	1¼" Roller (Set of 2)	2
#3	$\frac{7}{8}$ " External Retaining Ring	2
#7	$\frac{7}{8}$ " Carbon Spring Steel E-Clip	4

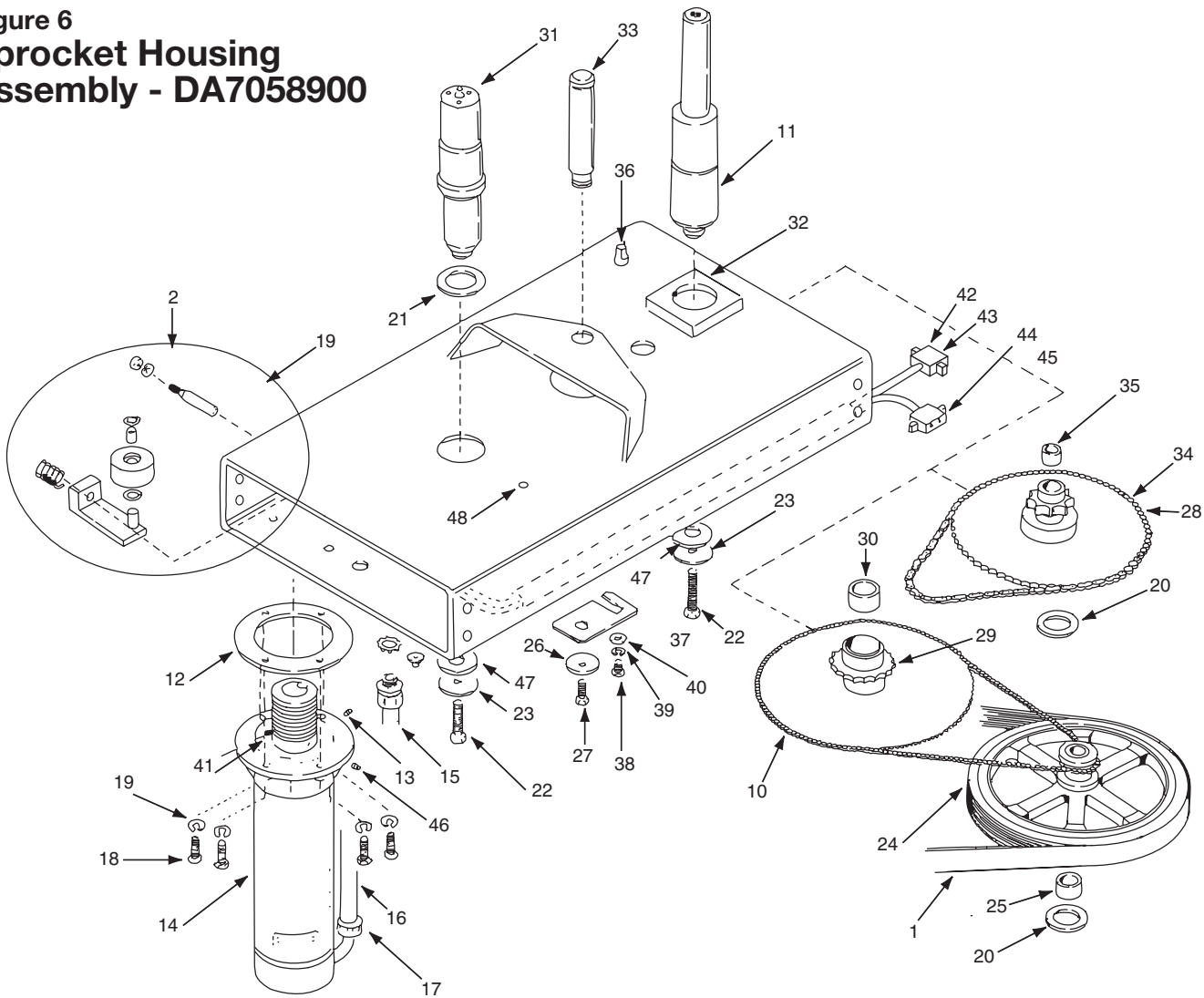
Figure 5
Upper Roller and Handle Assembly – CK994900



Upper Roller and Handle Assembly-CK994900			
Item #	Part #	# Req'd	Description
1	Common Repl. Part	1	1" External Retaining Ring
2	CK569108	1	Washer
3	*CK575281K	1	½"-1" Roller
4	CK295107	2	Bearing (Set of 2)
5	CL30900	1	Roller Axle Assembly
6	Common Repl. Part	1	¾" x 3" Zinc Coherless Hitch Pin
7	CL662950KW	1	Cam Shaft
8	CK693107	2	Bearing (Set of 2)
9	Common Repl. Part	1	¾" -16 x 3" A307A Low Carbon Zinc Plated Hex Bolt
10	Common Repl. Part	1	¾" - 16" Lock Nut- Nylon
11	Order Kit LK15	1	Decal, Caution
12	Common Repl. Part	1	¾" - 16 x 1" 1g. Low Carbon Hex Head Cap Screw, Zinc Plated
13	Common Repl. Part	1	⅝" Zinc Plated USS Flat Washer

* These items come with bearings installed.

Figure 6
Sprocket Housing
Assembly - DA7058900

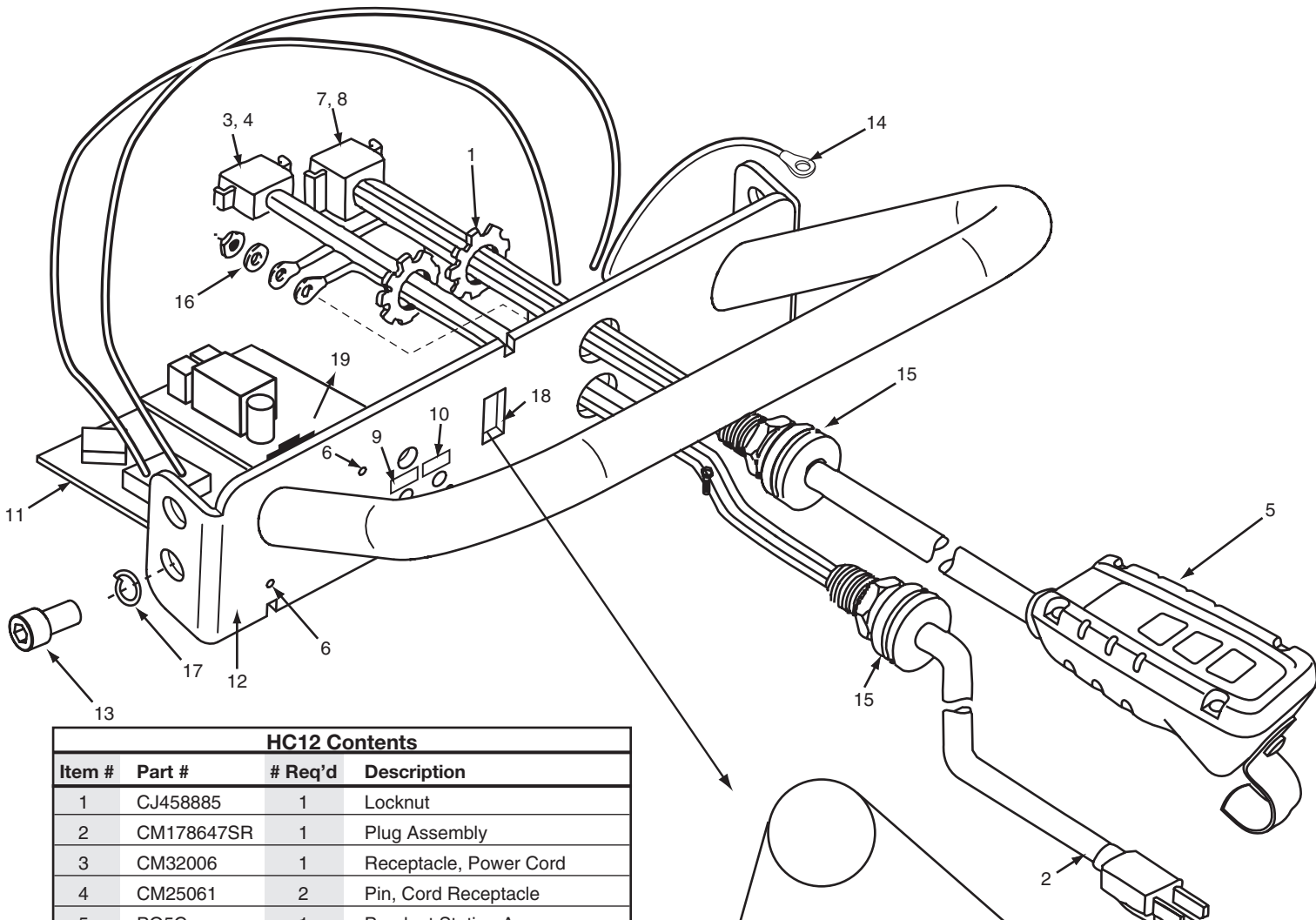


Sprocket Housing Assembly - DA7058900			
Item #	Part #	# Req'd	Description
1	CL310014	1	Drive Belt
2	CL306900		Includes:
		1	Tensioner Assembly
		1	Snap Ring
		1	Roller
		1	* Bearing
		1	Washer, Thrust
		1	Tensioner Weldment
		1	Spring
		1	Shaft Tensioner
		1	Nut, .375-16
10	CL335066	1	Chain, .375 Pitch
11	CW172104	1	Shaft, Roller Housing
12	C550357	1	Gasket, Motor
13	Common Repl. Part	1	Screw (10-32)
14	CL43259	1	Motor Assembly
15	CL674096	1	Connector
16	CL673228	1	Conduit, Flexible
17	CL675096	1	Connector
18	Common Repl. Part	4	$\frac{3}{8}$ " - 24 x 1" Grade S Plain Finish Hex Cap Screw
19	Common Repl. Part	5	$\frac{3}{8}$ " Plain Finish Medium Split Lock Washer
20	CL54108	2	Washer, Thrust
21	CL656108	1	Bearing
22	Common Repl. Part	2	$\frac{1}{2}$ " - 30 x 3" Grade 5 Plain Finish Hex Cap Screw
23	* Common Repl. Part	4	$\frac{1}{2}$ " Belleville Washer
24	CU541950W	1	Sprocket Assembly w/ Bearings

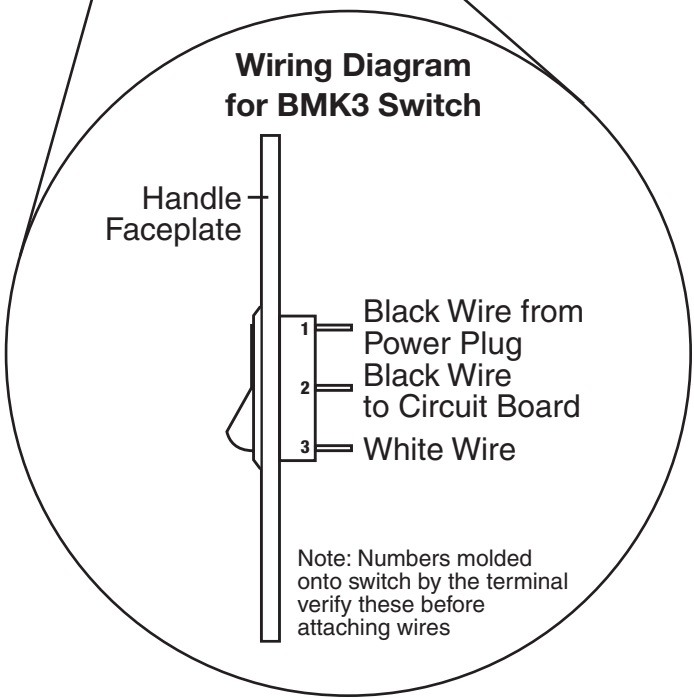
Sprocket Housing Assembly - DA7058900, cont.			
Item #	Part #	# Req'd	Description
25	CL53107	2	Bearing
26	CL12108	1	Washer
27	Common Repl. Part	1	$\frac{3}{8}$ " - 16 x 2" Grade 5 Zinc Plated Hex Cap Screw
28	CL334066	1	Chain, .625 Pitch
29	CU542950K*	1	Sprocket Assembly w/ Bearings
30	CL670107	2	Bearing
31	CU674104	1	Shaft, Shoe
32	SHM115	1	Housing, Sprocket
33	CL309104*	1	Shaft, Sprocket
34	CL667950KW	1	Sprocket Assembly w/ Bearings
35	CL53107	2	Bearing
36	CL224028	1	Stop Screw
37	CL669101	1	Locking Plate
38	Common Repl. Part	1	$\frac{3}{8}$ " - 24 x $\frac{1}{2}$ " LG Grade 5 Med. Carbon Stl. Zinc Plated
39	Common Repl. Part	1	$\frac{3}{8}$ " Zinc Plated USS Flat Washer
40	Common Repl. Part	1	$\frac{1}{4}$ " Plain Finish USS Flat Washer
41	CL311019	1	Pulley, 10 Groove
42	DA6153006	1	Connector (Body 40) - limit switch
43	CM26006	8	Terminal, Female - limit switch
44	CM33006	1	Connector (M-1) - motor
45	CM28006	2	Terminal, Female - motor
46	Common Repl. Part	1	#10 - 32 x $\frac{3}{32}$ " LG.
47	CU675108	2	Washer
48	Common Repl. Part	1	CAP

* These items come with bearings installed.

Figure 7
Handle and Control Circuit Assembly – HC12

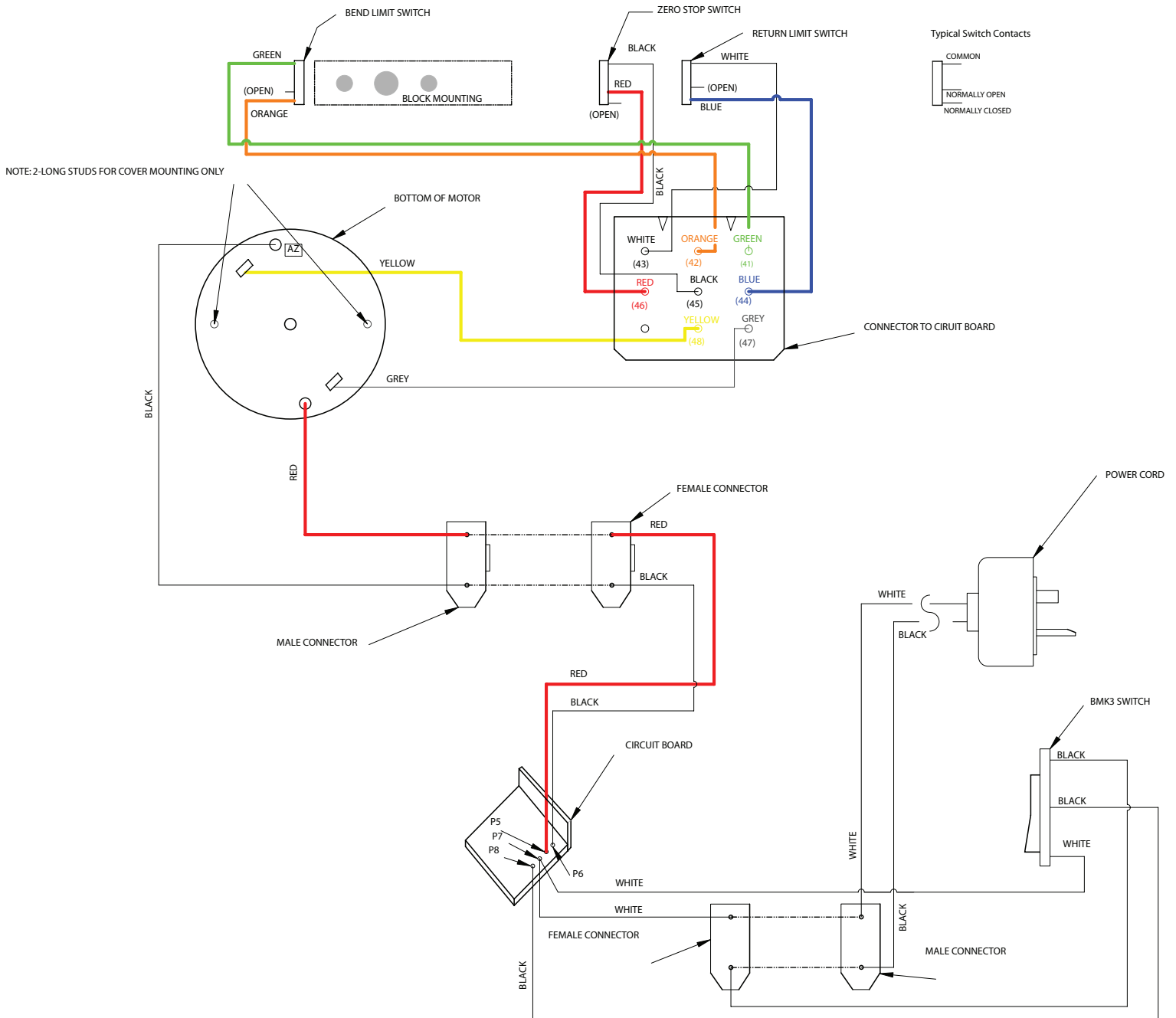


HC12 Contents			
Item #	Part #	# Req'd	Description
1	CJ458885	1	Locknut
2	CM178647SR	1	Plug Assembly
3	CM32006	1	Receptacle, Power Cord
4	CM25061	2	Pin, Cord Receptacle
5	PO5C	1	Pendant Station Assm
6	Common Repl. Part	3	#6 -32 X 3/8" LG. Button Hd. Cap Screw
7	DA6152006	1	Receptacle, Pendant
8	CM27061	8	Pin, Receptacle
9	LK15	1	Decal, Kit
10	LK15	1	Decal, Kit
11	EC2006	1	Circuit Board
12	H905	1	Handle Assembly
13	Common Repl. Part	4	1/2" - 13 x 7/8" Alloy Plain Finish Socket Head Cap Screw
14	DA7046900	1	Wire, Jumper
15	F1550	1	Grip, Cord
16	Common Repl. Part	1	#10 Hi-Collar Helical Spring Lock Washer
17	Common Repl. Part	4	1/2" Plain Finish High Collar Lock Washer
18	CB25	1	Switch
19	RA19	1	Braking Resistor



Item 3 is packed with item 4 loose.
 Item 7 is packed with item 8 loose.
 Instructions provided for assembling loose connectors.
 DA 7070900 Limit Switch Jumper (not shown) (for older units)

Wiring Schematic



NOTES

REPAIR AND SERVICE INSTRUCTIONS: For repair service and parts contact your nearest Gardner Bender Service Center. The Gardner Bender Service Center will provide complete and prompt service on all Gardner Bender products. To locate the nearest service center go to gardnerbender.com.

PARTS AND SERVICE: For quality workmanship and genuine Gardner Bender parts, select an Authorized GB Service Center for your repair needs. Only repairs performed by an Authorized Service Center displaying the official GB Authorized sign are backed with full factory warranty. Contact Gardner Bender (800) 624-4320 for the name of the nearest GB Authorized Service Center.

WARRANTY: Gardner Bender warrants its product against defects in workmanship and materials for 1 year from date of delivery to user. Chain is not warranted. Warranty does not cover ordinary wear and tear, abuse, misuse, overloading, altered products or use of improper fluid.

WARRANTY RETURN PROCEDURE: When question of warranty claim arises the user should send his unit to the nearest GB Authorized Service Center for inspection, transportation to be prepaid and evidence of purchase date furnished. If the claim comes under the terms of our warranty the Authorized Service Center will REPAIR OR REPLACE PARTS AFFECTED and return prepaid.



N85 W12545 • Menomonee Falls, WI 53051 • 1-800-624-4320 • Fax 262-293-0952
6615 Ordan Drive • Mississauga, Ontario L5T 1X2 • 905-564-5749 • Fax 905-564-0305