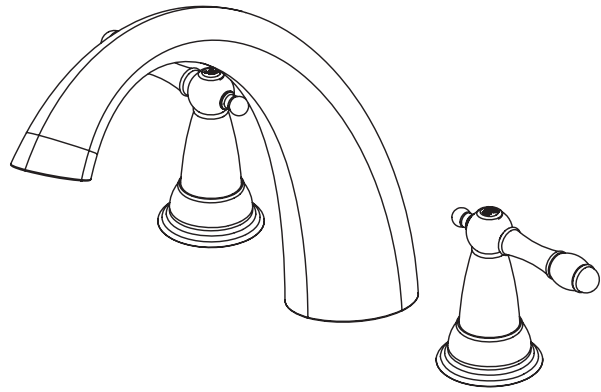


Instruction For Model:40-BV2CN



Tools:

Required

- Adjustable wrench
- Groove joint pliers
- Pipe wrench
- Pipe tape
- Phillips screwdriver



Safety Tips

If you solder the joints during installation of the faucet, the seats, cartridges, and washers must be removed before using a flame. Otherwise, the warranty will be voided on these parts.

Protect your eyes with safety glasses when cutting or soldering water supply lines.

Cover the sink drain to avoid losing parts.

Things You May Need

Installations may vary depending on how the previous faucet was installed. Supplies necessary for the installation of your faucet are not all included, however, they are available wherever plumbing supplies are sold. When choosing your installation supplies, make sure they are IAPMO and / or CSA approved products.

Maintenance:



Your new lavatory faucet is designed for years of trouble-free performance.

Keep it looking new by cleaning it periodically with a soft cloth. Avoid abrasive cleaners, steel wool, and harsh chemicals as these will dull the finish and void your warranty.

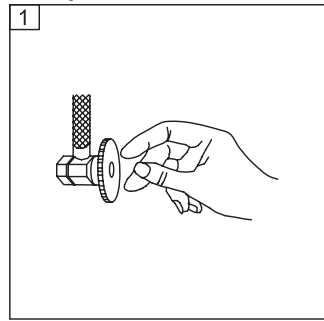
Important Points

Prior to beginning installation, turn off the hot and cold water lines then turn on the old faucet to release built-up pressure. When installing your new faucet, turn the connector nuts finger tight, then use one wrench to hold the fitting and a second wrench to tighten the nut one additional turn. Connections that are too tight will reduce the integrity of the system. Wrap all threaded connections with PTFE pipe tape available at your local hardware or plumbing supply store. Always wrap in a clock-wise direction.

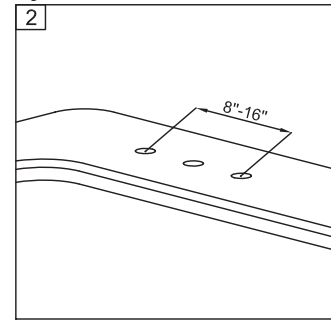
Contact Us

For Customer Service call 877-319-3757, or go to homewerksww.com.

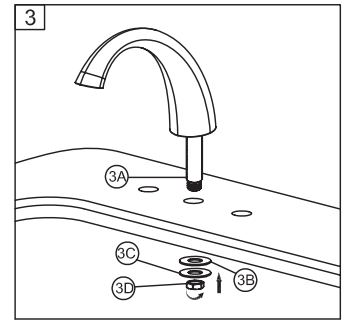
Preparation / Assembly



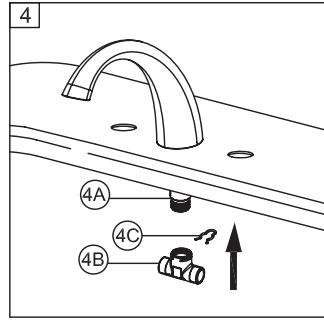
Shut off water supply. Remove old faucet. Clean sink surface in preparation for new faucet.



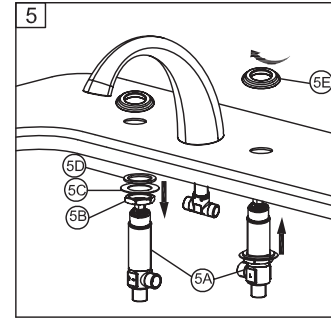
Drill three 1-1/2" diameter holes in finished surface. Note: Space holes according to the figure above.



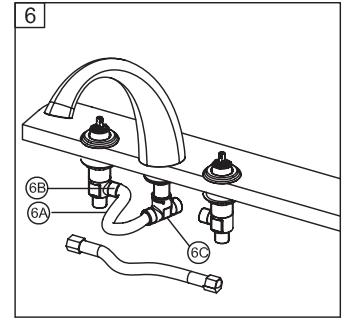
Insert spout shank (3A) through the center hole of the tub. Then from underneath, place rubber washer (3B) and metal washer (3C) onto the bottom of the spout body (3A) and tighten with mounting nut (3D).



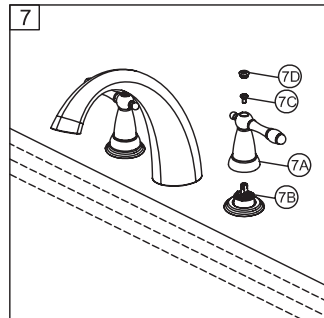
Push the T-tube (4B) onto the end of the spout tube (4A) until it seats. Insert ring (4C) through the groove on the spout tube end. Make sure the T-tube is aligned at an angle which will allow maximum clearance to connect hose.



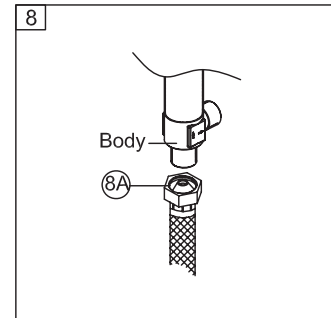
Place mounting nut (5B), metal washer (5C) and rubber washer (5D) onto valve body (5A). From underneath the tub, insert valve body (5A) through holes on the right (cold) side. From above, thread flange (5E) onto valve stem (5A). Tighten mounting nut (5B), so that the flange sits flush to the surface of working area. Then, insert the other valve body through hole on the left (hot) side and install in the same way.



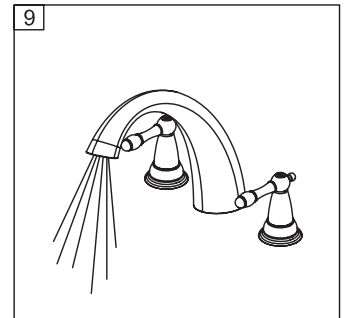
Connect the flexible water supply hose (6A) to the bottom of the valve bodies (6B) as shown. Align T-tube (6C) in a position which will allow maximum clearance to connect hoses. Carefully bend the hoses to fit the available space. Carefully thread the hose couplings to the sides of the T-tube.



Place handle (7A) onto the left (hot) valve stem (7B). Place screw (7C) through the socket on top of the handle and thread until handle is securely tight. Attach decorative (7D) button onto the lever socket. Place the other handle assembly onto the right (cold) valve stem and install the same way.



Connect water supply lines (8A). Use supply lines with 1/2" IPS faucet connections.



Important: After installation is completed, turn on water supply and allow both hot and cold water to run for at least one minute each.

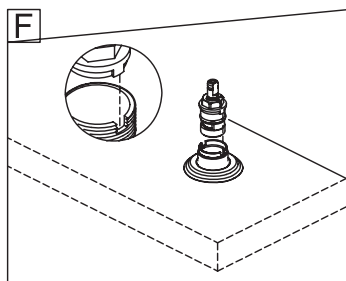
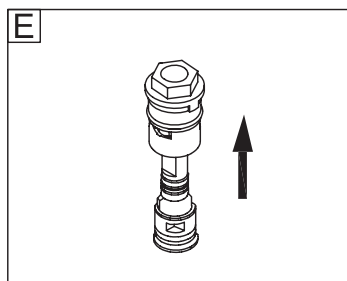
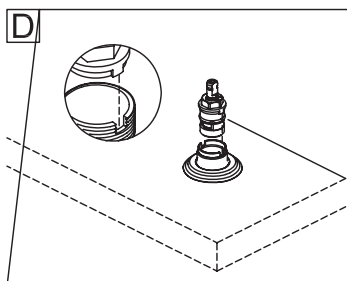
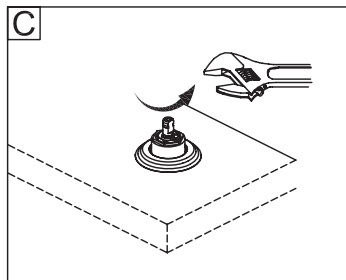
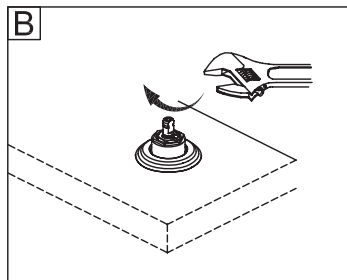
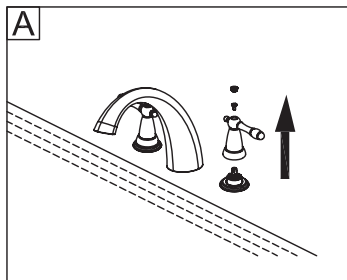
Troubleshooting

PROBLEM Leaks underneath handle.

CAUSE Bonnet has come loose or O-ring on cartridge is dirty or twisted.

ACTION

- Move the handle to the off position. Unscrew the handle screw and remove the handle (Diagram A).
- Tighten the bonnet by turning it clockwise (Diagram B). Move the cartridge stem to the on position. The leak should stop draining out from around the cartridge stem.
- If the leak does not stop, shut off the water supply. Remove the bonnet by turning it counter-clockwise. Lift out the cartridge valve (Diagram C). Inspect the larger O-ring on the cartridge bonnet and the smaller O-ring on the cartridge stem. Remove any debris from the O-rings. If either O-ring is twisted, straighten it out. If either O-ring is damaged, replace the cartridge.
- Position the cartridge back into the faucet body (Diagram D). Make sure the ridges on the two sides of the cartridge bonnet fit into the grooves on the two sides of the faucet body. Tightly screw the bonnet onto the faucet body.
- Re-install the handle.



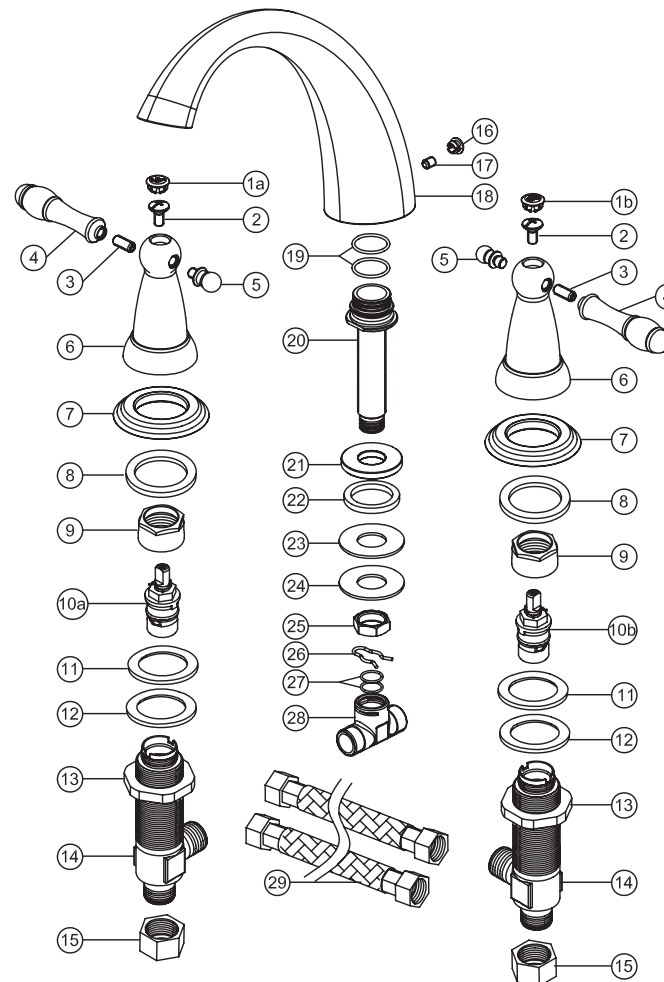
PROBLEM Water does not completely shut off.

CAUSE Rubber valve seat is dirty, stuck, or broken.

ACTION

- Shut off the cold water supply. If leakage stops, the problem is on the cold side. If leakage continues, the problem is on the hot side. Shut off the hot water supply to determine if both the cold and hot sides have a problem.
- Remove the handle on the problem side. Loosen the bonnet by turning it counter-clockwise (Diagram E). Lift out the cartridge assembly.
- Inspect the rubber valve seat in the faucet body. If there is debris or brass scrap on the surface of the seat, remove it. If the rubber seat is stuck tightly in the water inlet hole, push it gently with a fingertip so that it moves up and down smoothly. If the rubber valve seat is worn out or broken, replace the cartridge.
- Replace the cartridge into the faucet body. Make sure that the ridges on the two sides of the cartridge bonnet fit into the grooves on the two sides of the faucet body (Diagram F). Tightly screw the bonnet onto the faucet body.
- Re-install the handle.

Parts List



No.	Part Description	Part Number	Qty.
1a	Hot Index	RP10001*	1
1b	Cold Index	RP10002*	1
2	Screw	RP50001	2
3	Bolt	RP13001*	2
4	Handle	RP80086*	2
5	Cap	RP80086*	2
6	Handle Seat	-	2
7	Flange	RP80098*	2
8	Flange Washer	-	2
9	Bonnet	RP70001	2
10a	Hot Cartridge	RP20013	1
10b	Cold Cartridge	RP20014	1
11	Washer	RP64023	2
12	Washer	RP64024	2
13	Mounting Nut	RP56014	2
14	Housing	-	2
15	Coupling Nut	RP56002	2
16	Button	RP10032*	1
17	Screw	RP50058	1
18	Spout	-	1
19	O-Ring	RP60056	2
20	Long Shank	-	1
21	Flange	-	1
22	Washer	-	1
23	Washer	RP64032	1
24	Washer	RP64033	1
25	Mounting Nut	RP56015	1
26	Ring	RP70123	1
27	O-Ring	RP60047	2
28	T-tube	RP70124	1
29	Hose Assembly	RP70125	2

Contact Us

For Customer Service call 877-319-3757 or go to homewerksww.com.

*Available in different finishes