

Metal Hinged Screen Door with EZ Adjust™ System

For Biscayne, Catalina, Coronado and Riviera models

UNIQUE HOME DESIGNS®

IMPORTANT: Replacement screen door fit range

Be sure you have selected the proper screen door size according to your entrance door opening dimensions.

This screen door is adjustable in WIDTH & HEIGHT

Opening Width Fit Range by Screen Size:

30" x 80" screen doors fit most openings with minimum inside door frame width of 29-1/4" up to 30-3/8"
32" x 80" screen doors fit most openings with minimum inside door frame width of 31-1/4" up to 32-3/8"
36" x 80" screen doors fit most openings with minimum inside door frame width of 35-1/4" up to 36-3/8"

Opening Height Fit Range: 79-3/8" up to 80-1/2"

DO NOT ATTEMPT TO CUT OR MODIFY THE METAL SCREEN FRAME!

Important: Read all instructions completely before beginning installation.

Tools & Hardware Required:

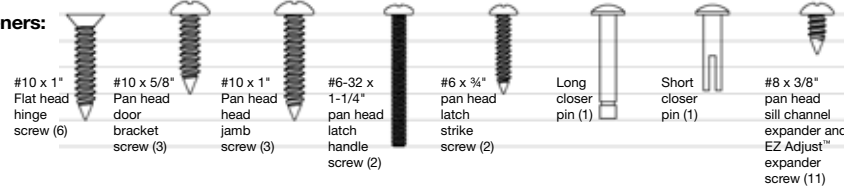
Tools required: Tape measure, Phillips-head screwdriver, slotted screwdriver, hacksaw, power drill, 1/8", 5/16" drill bits, pencil, masking tape, safety glasses, metal file, level, sheet metal snips, hammer,

Optional tools: Step stool

Hardware provided:

Door latch handle assembly, Pneumatic door closer & mounting hardware, adjustable jamb expander channel with pre-attached hinges, adjustable sill expander channel, drill template

Screws/fasteners:



NOTICE Not intended to limit or prevent passage of children, pets, etc., or to deter vandalism or burglary.

1 Determine screen door swing direction

Determine which way the screen door should swing. The hinge side of the screen door should be on the same hinge side of your main entry door (Fig. 1).

This door is designed to swing **outward**. The screen door is preconfigured with the hinge channel expander on the left side. If this configuration is opposite of your desired swing direction, go to **step 2**, otherwise go to **step 3**.

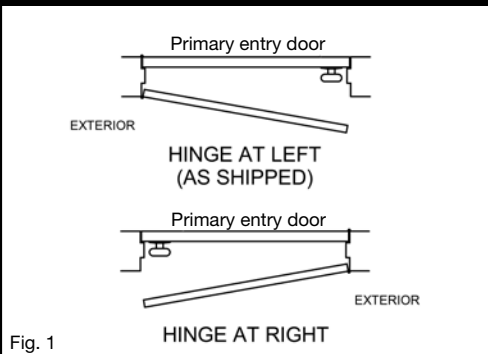


Fig. 1

2 Reverse swing direction if necessary

If the opposite swing direction is needed, remove the hinge channel expander by turning the (2) center hinge screws **counter-clockwise** until it disengages.

Remove the hinge channel expander and cartwheel it 180° (Fig. 2).

Reposition the hinge channel expander on the opposite side of the screen door.

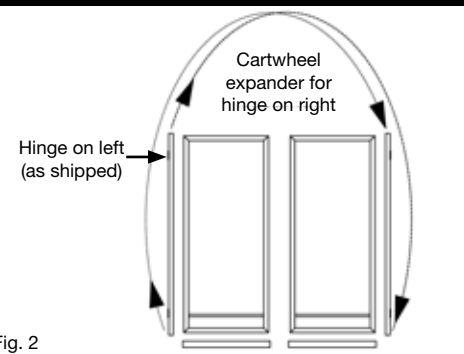


Fig. 2

3 Cut top of hinge channel expander

With hinge channel expander attached to frame on correct side based on **Step 1**, use pencil and draw line around **top** of the expander where it is even with the frame of screen door and write the word **"TOP"** under this line.

Note: Use masking tape around channel where measuring and cutting will be done. (It reduces scrapes from cutting, and it is easy to mark a line with any type of pen) (Fig. 3).

Remove the hinge channel expander from the door frame and using sheet metal snips or a hacksaw with a fine tooth metal cutting blade, cut off this excess section of channel.

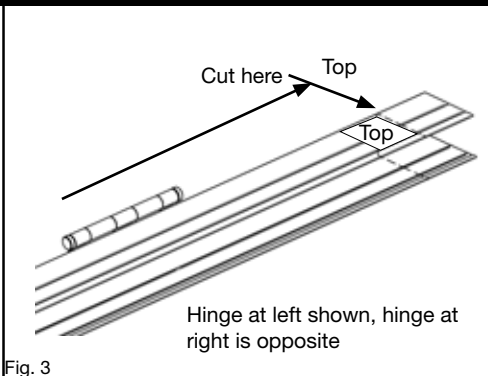


Fig. 3

4 Calculate proper hinge channel expander height

Measure the door frame opening height (Fig. 4) where new screen door will be installed. Calculate proper cut length of hinge channel expander.

Door frame opening height measurement = **Box 1**
Subtract 2-3/16"
Result is hinge channel expander cut length = **Box 2**

Take the adjusted measurement in **box 2** and with a tape measure, mark this distance on the channel but measure from the **TOP** of the channel (where it was previously cut) to the bottom and make a line around the expander channel. **IMPORTANT:** Make certain, you measure from the previously cut end.

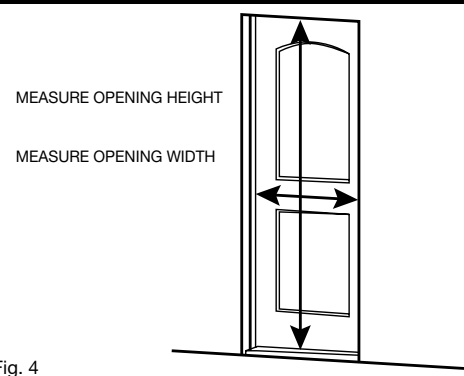


Fig. 4

5 Cut bottom of the hinge channel expander

Using sheet metal snips or a hacksaw, cut the lower section of the hinge channel expander where marked in **Step 4** (Fig. 5).

Using a file, clean the edges of both the top and bottom of the channel to remove sharp burrs.

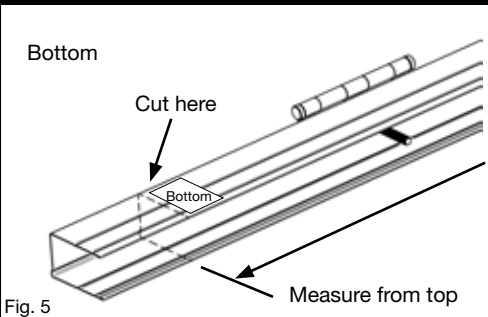


Fig. 5

6 Fasten hinge channel to entryway door frame

Position the hinge channel expander on entry door frame where installation will be made, leave a 3/16" gap at top of frame (Fig. 6).

Note: An extra set of hands to hold channel while installing screws will make this step easier. Using one of the #10 x 1" flat screws provided, attach channel using top hole in top hinge, on to the door frame. Without letting channel loose, and using a level, check that hinge channel is flush with exterior face of door frame. Using a pencil, mark the location of all the hinge holes. Use a 1/8" drill bit to pre-drill the holes. Secure channel by attaching each hinge to the frame with screws provided (#10 x 1" flat head screws).

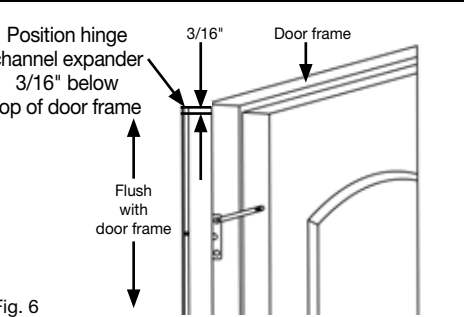


Fig. 6

7 Adjust and attach screen door

Carefully attach the screen door to the hinge channel expander by sliding into the channel. Using EZ Adjust™ expander screws attached to the hinges, fully retract the screen into the expander.

Note: Turning the EZ Adjust™ hinge screws **clockwise** carefully and slowly will pull the door into frame snugly.

Close the door and observe the fit against the frame. There should be approximately 3/16" gap between door frame and screen door. Slowly, one full turn at a time, turn the EZ Adjust™ screws **counter-clockwise** to expand the door to the frame until the gap is uniform along the top and sides. Remember, **clockwise** screw turns make door narrow, and **counter-clockwise** expands door to fill space for easy alignment with door frame (Fig. 7a).

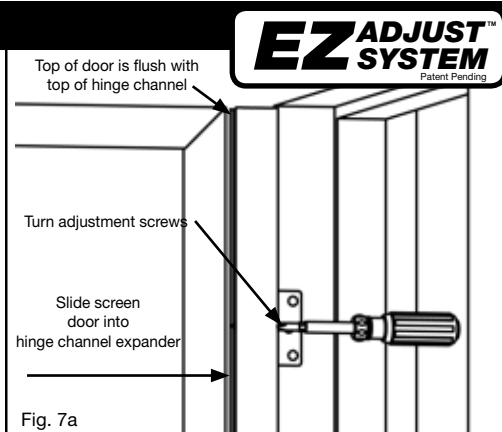


Fig. 7a

Once the screen door is completely aligned, mark and pre-drill 4 holes through the exterior of the hinge channel expander and the door using 1/8" drill bit. The holes should be 1/4" from the edge of the hinge channel expander, with one adjacent to the top hinge, one adjacent to the bottom hinge, and remaining 2 equidistant between them. Secure the hinge channel expander to the door using the #8 x 3/8" screws provided (Fig. 7b). Repeat this procedure on the inside of the screen door.

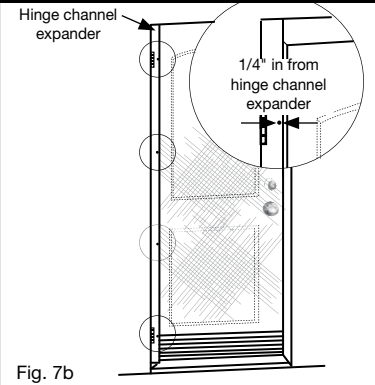


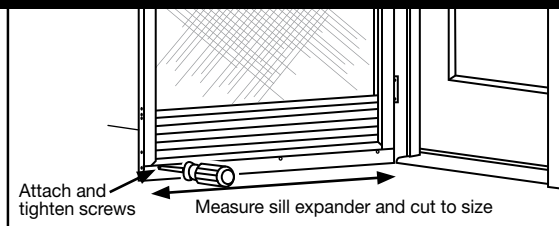
Fig. 7b

8 Install sill channel expander

Measure the current overall door width including the expander channel. Mark & cut sill channel expander to this dimension.

Position sill channel expander on bottom of screen door aligned with the edge of the door. Adjust its position to create an even 1/4" gap between the threshold and the sill channel expander.

Temporarily tape sill channel expander in place with masking tape. Mark and pre-drill (3) sill channel expander attachment holes as indicated on interior side using 1/8" drill bit. Secure with #8 x 3/8" screws provided (Fig. 8).



9 Verify screen door fit

Once screen door is mounted, verify that it fits properly. The top of the screen door to the top of the door frame opening should have a reveal of approximately 3/16".

The latch side of the screen door should also have a gap of approximately 3/16" from the frame jamb.

With the sill expander installed, there should be a gap of approximately 1/4" from the bottom of the screen door to the floor (Fig. 9).

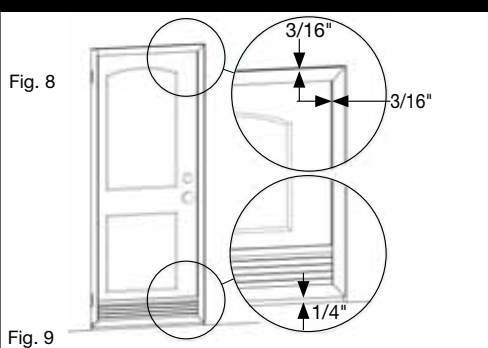


Fig. 9

10 Using the EZ Drill Template and hardware mounting instructions

To install the latch assembly and door closer, see instructions included in the hardware box provided by the manufacturer.

An easy-to-use drill template is included with your hinged screen door. This will allow you to precisely drill the holes needed to attach the latch assembly for your hinged screen door. To use, slide the two parts of the drill template together.

Position latch handle assembly to avoid any interference with primary door lockset. Slip **EZ drill template** on screen door where latch is to be installed. Mark latch strike hole positions from inside of doorway. Pre-drill 3 holes with a 5/16" drill bit using the drill template and install handle hardware (Fig. 10).

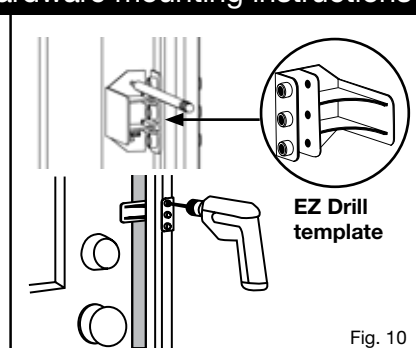


Fig. 10

Warranty Information

Your Unique Home Designs screen door is warranted against manufacturer defects for one year from the purchase date. If the door breaks or structural defects occur, Unique Home Designs will, at our discretion, repair or replace the door. Replacement items may vary in style due to changes in suppliers and product. This limited warranty will not apply if the part has been misused, abused or altered. Cutting parts not specified by the installation guide or parts drilled incorrectly are not included in this warranty. Screen material is excluded from warranty coverage. Warranty is not transferable.

To make a claim under this Warranty, send a brief written description of the problem, a picture of the claim, proof of purchase, and your contact information to: Unique Home Designs, 973 N. Colorado Street, Gilbert AZ. 85233 Attn: Warranty Claims

VIEW INSTALLATION VIDEOS
AND LATEST INFORMATION AT
helpmeinstallit.com