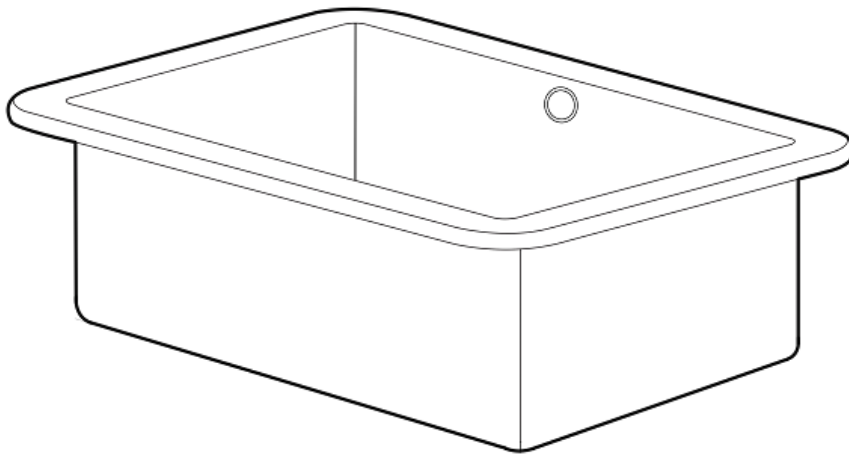


UNDERMOUNT BATHROOM SINK

USE AND CARE MANUAL



Questions, problems, missing parts? Before returning to the store, email
or call Lordear Customer Service
lordear.guo@gmail.com or 1-303 397 6818

THANK YOU

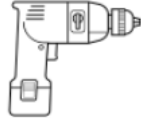
We appreciate the trust and confidence you have placed in Lordear through the purchase of this sink. We strive to continually create quality products designed to enhance your home. Thank you for choosing us!

TOOLS REQUIRED

NOTE: You may require different, more specialized tools to install this lavatory to countertop materials other than wood or wood composites.



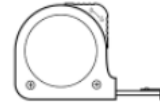
goggles



drill



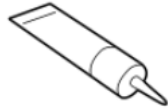
5/16" diamond
drill bit



tape



ruler



sealant



putty knife



philips
screwdriver



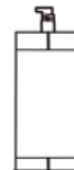
flat screwdriver



wrench



pipe wrench



epoxy

HARDWARE INCLUDED



IMPORTANT: LORDEAR strongly recommends that this product be installed by a licensed plumber. Ensure that installation complies with applicable plumbing and building codes.

PLANNING INSTALLATION

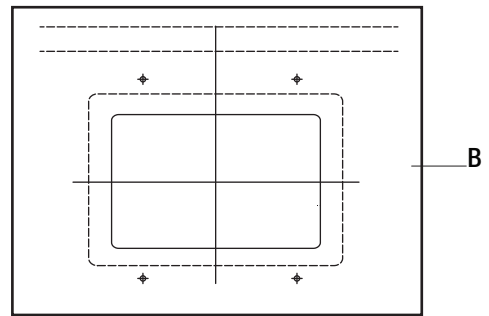
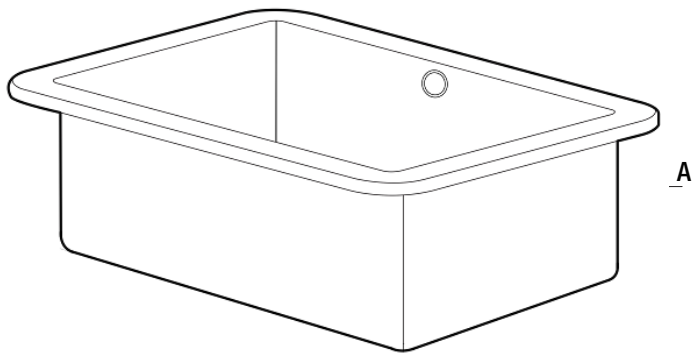
Before beginning installation of this product, ensure all parts are present. Compare parts with the Hardware Included and Package Contents sections of this manual. If any part is missing or damaged, do not attempt to assemble, install, or operate the product. Contact customer service for replacement parts.

If you have a marble or stone countertop that does not have a cutout to accommodate the sink, it is recommended this be done by a professional. Install so future removal is possible. Do not use adhesives or adhesive sealant. This will avoid damage to the top.

Estimated Assembly Time: 60 minutes + epoxy setting time (4-8 hours)

PACKAGE CONTENTS

NOTE: The template (B) is to be used as a guide for cutting the sink opening in the countertop, if one does not exist. To avoid possible damage to the cabinet, cut the counter top before installing it to the cabinet.

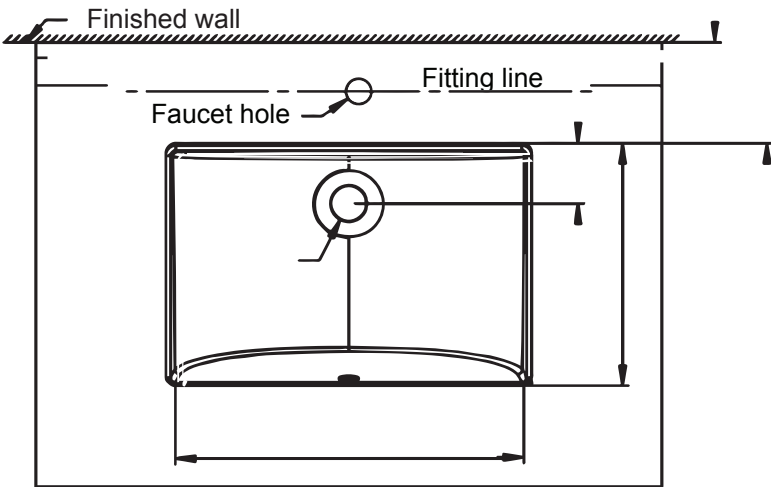


Part	Description	Quantity
A	Undermount sink	1
B	Template	1

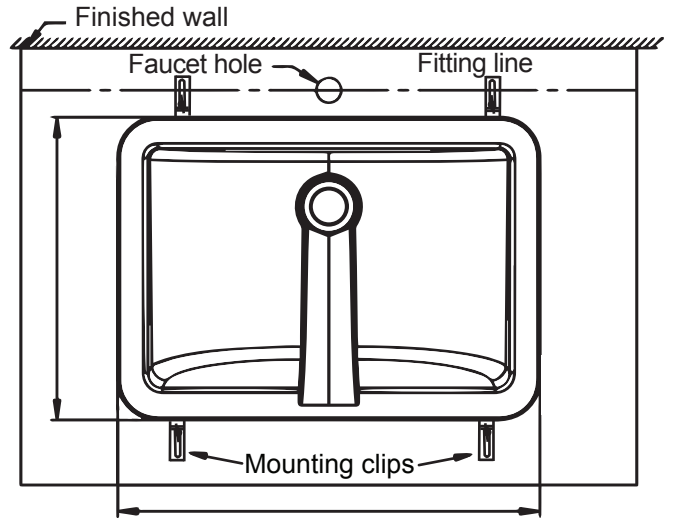
Pre-Installation (continued)

ROUGHING-IN DIMENSIONS

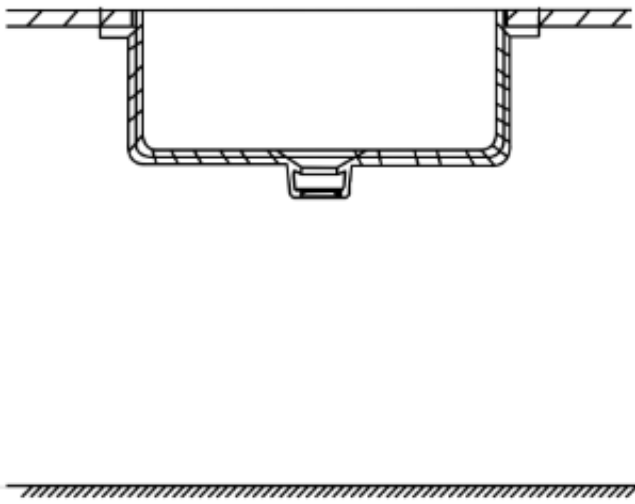
TOP VIEW



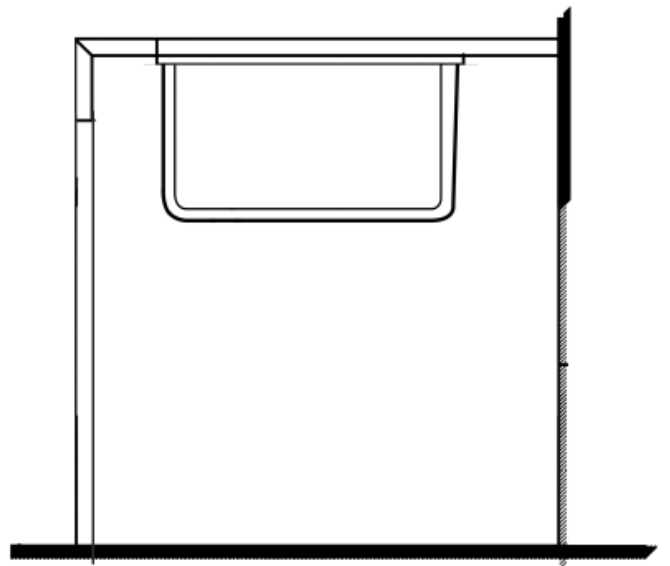
BOTTOM VIEW



FRONT VIEW



SIDE VIEW



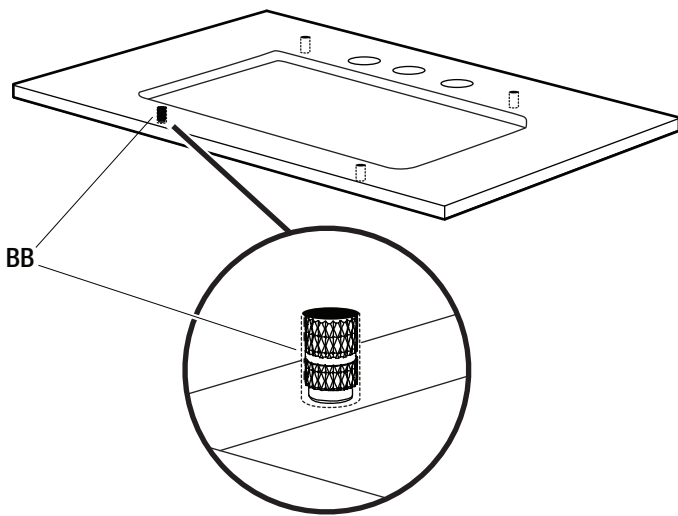
Installation

1 Installing the anchors



NOTE: It is recommended this be done by a professional.

- Using the template (B) as a guide, mark the four hole locations for the mounting hardware on the countertop.
- Using a 5/16 in. diamond bit, drill a 1/2 in. deep hole in each location.
- Clean the holes and apply quick set epoxy.
- Place one threaded knurl (BB) into each hole, and allow to cure for the amount of time required according to the epoxy manufacturer's directions.

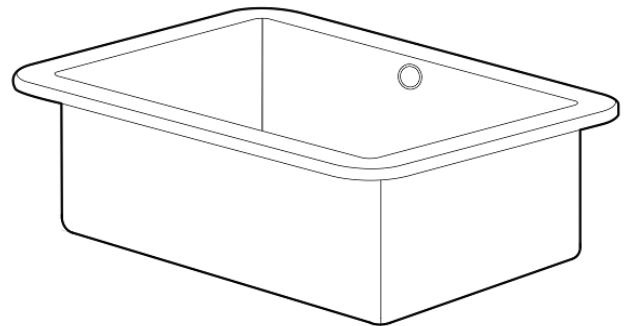


2 Applying the sealant

- Make sure the surface to be sealed is clean, dry, soap free, oil free, and grease free.
- Apply a continuous bead of quality sealant around the top side of the sink (A) rim near the edge.



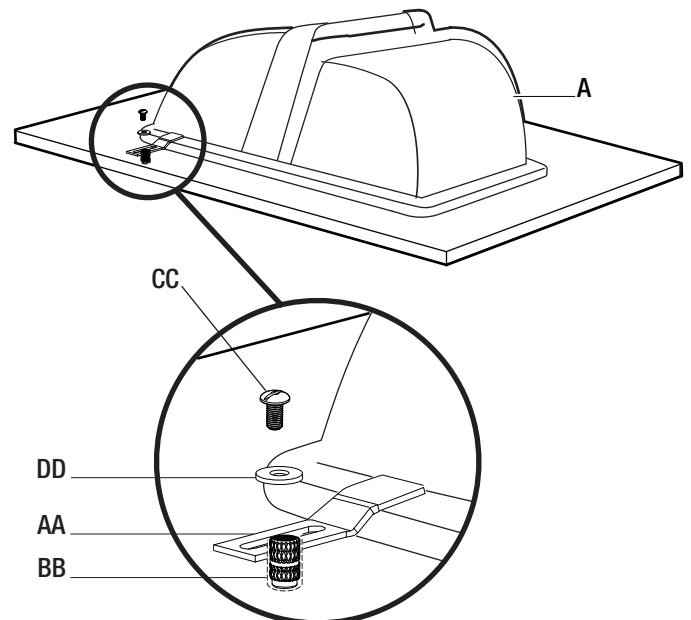
NOTE: It is recommended to practice the proper positioning two or three times before applying sealant.



A

3 Mounting the sink

- With the countertop positioned upside-down, center the sink (A) over the cutout.
- Firmly press the sink (A) onto the countertop, and immediately wipe off excess sealant.
- Attach the undermount clips (AA) to the threaded knurl (BB) in the countertop using the machine screws (CC) and washers (DD) to hold sink (A) in place.
- Allow the sealant to set for 30 minutes before proceeding.
- Flip the countertop right-side up, and install it onto the cabinet.



Installation

4 Installing the plumbing

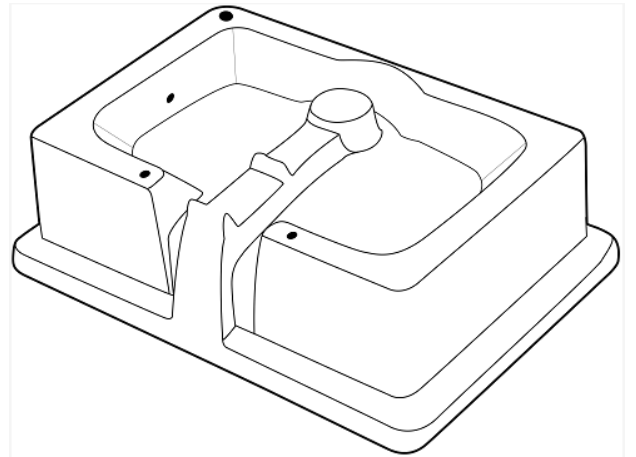
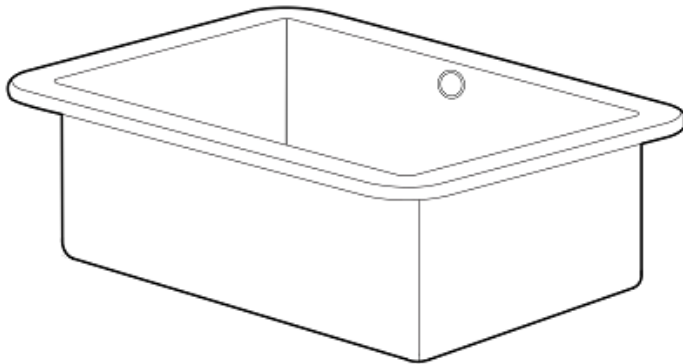
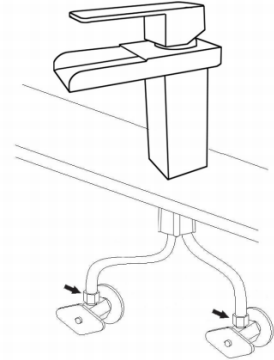
Install the drain (not provided) according to the manufacturer's installation instructions.

Install the waste system, faucet, and the water supply (not provided) according to the manufacturer's installation instructions.

Check for leakage.



CAUTION: Do not overtighten the drain assembly. This may cause the bowl to forcefully crack during installation or at some time in the future.



Care and Cleaning

For best results in caring for your sink, we suggest the following:

- Clean the outside surface with mild soap, warm water, and a soft cloth.
- On stubborn stains, use a powdered detergent and damp sponge or nylon scouring pad.
- Never use abrasive scouring powders, cleansers, or pads because they will scratch, damage, and dull the surface.