

# 60" ANDOVER ACRYLIC ROLL TOP TUB

Cat. No.  
ATR60



L: 60"  
W: 30"  
H: 24-1/2" (from floor)  
17-3/4" (from bottom of tub)

Water Depth: 11-1/2" to OF

The following is recommended for  
ATR60 tubs:

- Tub wall-mounted faucets: #4022,4025 or 4035
  - Double offset bath supplies: part #5576
  - Leg tub drain: part #5599
- Do Not Use with rigid, freestanding supplies.**

Gallon Capacity: 40  
Shipping Weight: 110 lbs.  
Empty Weight: 62 lbs.  
Filled Weight: 396 lbs.

## Features:

- ▶ Inside finish is either white or bisque to match outside color
- ▶ Pre-drilled overflow hole
- ▶ 3-3/8" centers in tub wall with continuous rolled rim
- ▶ Top of tub to center of faucet holes is 3-1/4"
- ▶ Outside is textured fiberglass reinforced polyester coated with two-part epoxy
- ▶ Cast aluminum ball and claw feet
- ▶ Feet are attached and leveled before shipment
- ▶ Tub is thoroughly inspected before shipment



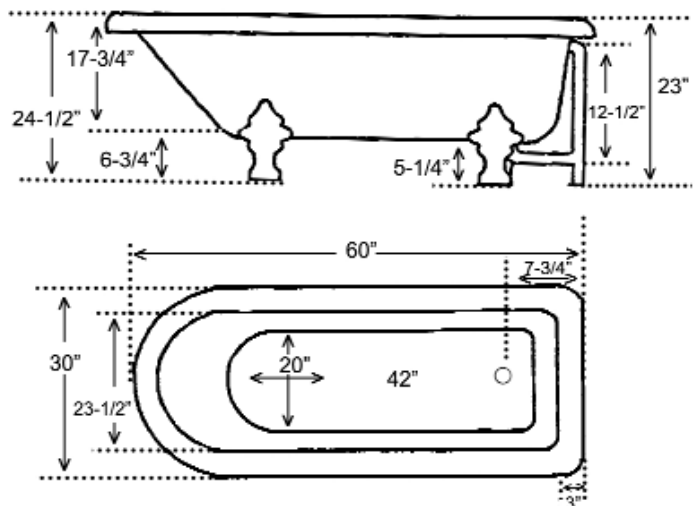
## Tub Colors

WH White BQ Bisque

## Foot Finishes

BQ	Bisque	BN	Brushed Nickel
BL	Black	ORB	Oil Rubbed Bronze
PB	Polished Brass	PN	Polished Nickel
CP	Polished Chrome	WH	White

**Custom Colors Available** (inside of tub is always white enamel):  
Painted bathtubs are considered "special order" and are not returnable  
\$160 Bisque or Black \$250 Designer Color



Dimensions of fixture are nominal and specifications subject to change without notice.

# TUB WALL-MOUNTED FAUCET WITH HAND SHOWER

Cat. No.

4022



## Features:

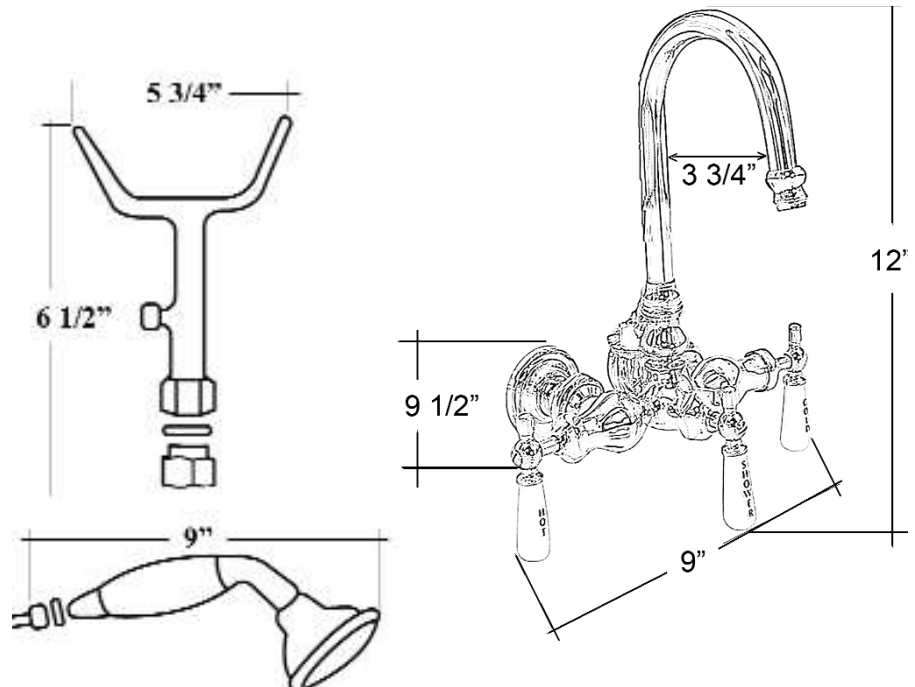
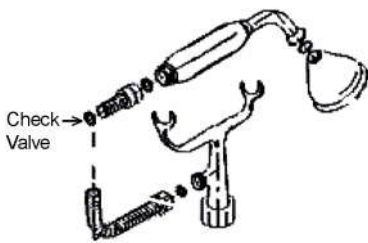
- ▶ Code gooseneck spout
- ▶ Telephone style handheld shower with cradle and 59" hose
- ▶ Backflow preventor in handshower
- ▶ ¼ turn ceramic disc cartridges
- ▶ 3-3/8" centers for tub wall mount installation
- ▶ Centers can be adjusted out to 9" with use of part #4501 (Swivel arms)
- ▶ Flow rate is 3.68 GPM
- ▶ Flow rate for handshower is 1.8 GPM
- ▶ IAPMO approved
- ▶ To be used with double offset bath supplies: part #5576
- ▶ Can be used with freestanding bath supplies Part #4502



W: 9"  
D: 9-1/2"  
H: 12"

## Finishes:

<b>BP</b>	Polished Brass	<b>PN</b>	Polished Nickel
<b>CP</b>	Polished Chrome	<b>ORB</b>	Oil Rubbed Bronze
<b>SN</b>	Brushed Nickel		



Dimensions are nominal and may vary. Dimensions and specifications subject to change without notice.

# DOUBLE OFFSET BATH SUPPLIES

Cat.No.  
5576



H: 24"

OD: 1/2"

## Features:

- ▶ For use with faucets mounted to the tub wall
- ▶ No Stops
- ▶ 1/2" Compression inlet
- ▶ 3/4" Compression outlet
- ▶ 0.500" Outer diameter
- ▶ 0.440" Inner diameter
- ▶ 0.030" Thickness of the wall
- ▶ IAPMO approved
- ▶ Available in 5 finishes

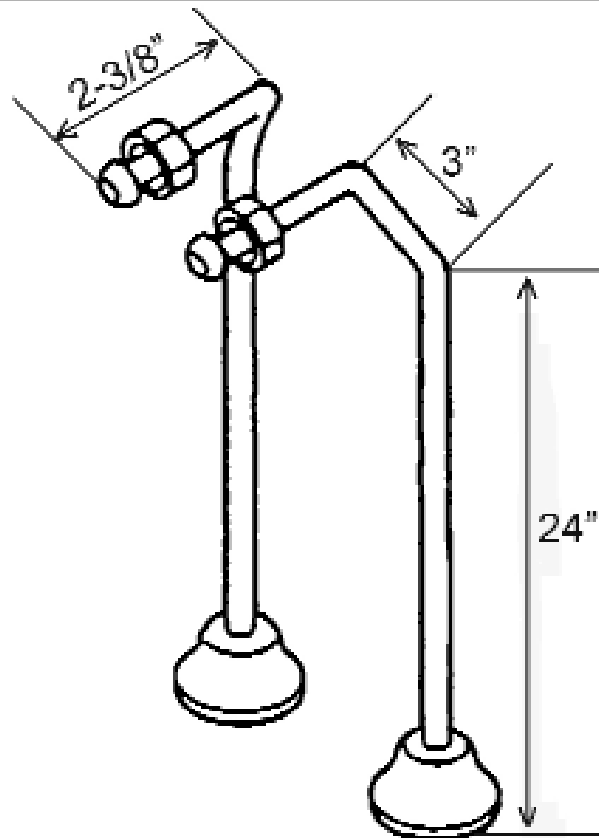
### Compliance Certification

Meets or exceeds the following specifications: ASME-A112 (and 19.6M) for Vitreous china fixtures. ASME 112.19.9M for fire clay fixtures.

## Finishes:

**CP** Polished Chrome  
**PB** Polished Brass  
**ORB** Oil Rubbed Bronze

**PN** Polished Nickel  
**BN** Brushed Nickel



**Use on concrete floors requires special installation. We recommend using a plumbing professional.**

Dimensions and specifications subject to change without notice.

# LEG TUB DRAIN

Cat. No.  
5599



Escutcheon Height: 1-1/4"

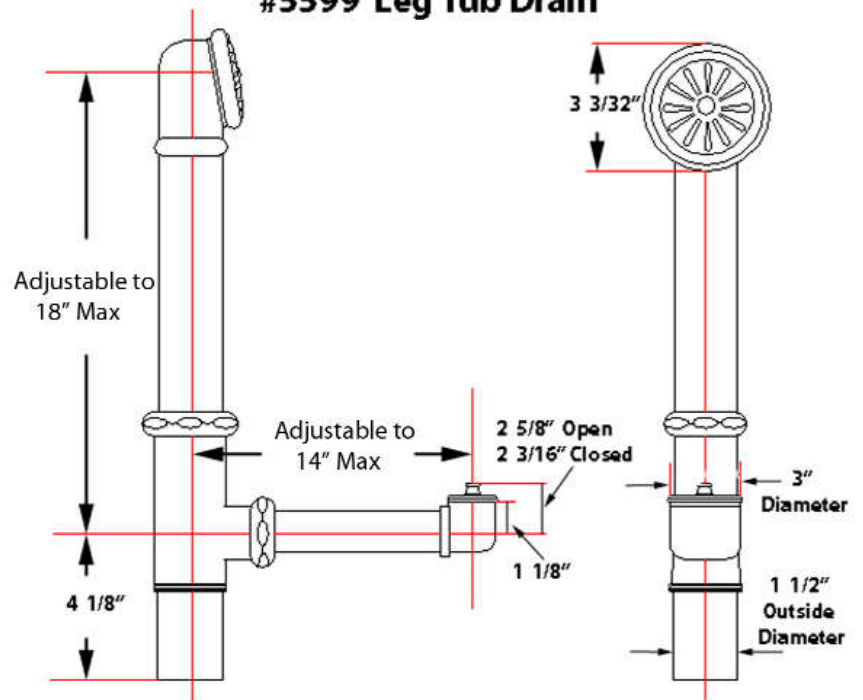
## Features:

- ▶ Twist-and-lift stopper
- ▶ Includes deep escutcheon
- ▶ Height adjustable 15"-18"
- ▶ Depth adjustable 12"-14"
- ▶ Includes deep escutcheon
- ▶ IAPMO approved
- ▶ Available in 5 Finishes

## Finishes:

- CP Polished Chrome
- BP Polished Brass
- SN Brushed Nickel
- PN Polished Nickel
- ORB Oil Rubbed Bronze

## #5599 Leg Tub Drain



Dimensions and specifications subject to change without notice.