

### ⚠ WARNINGS ⚠

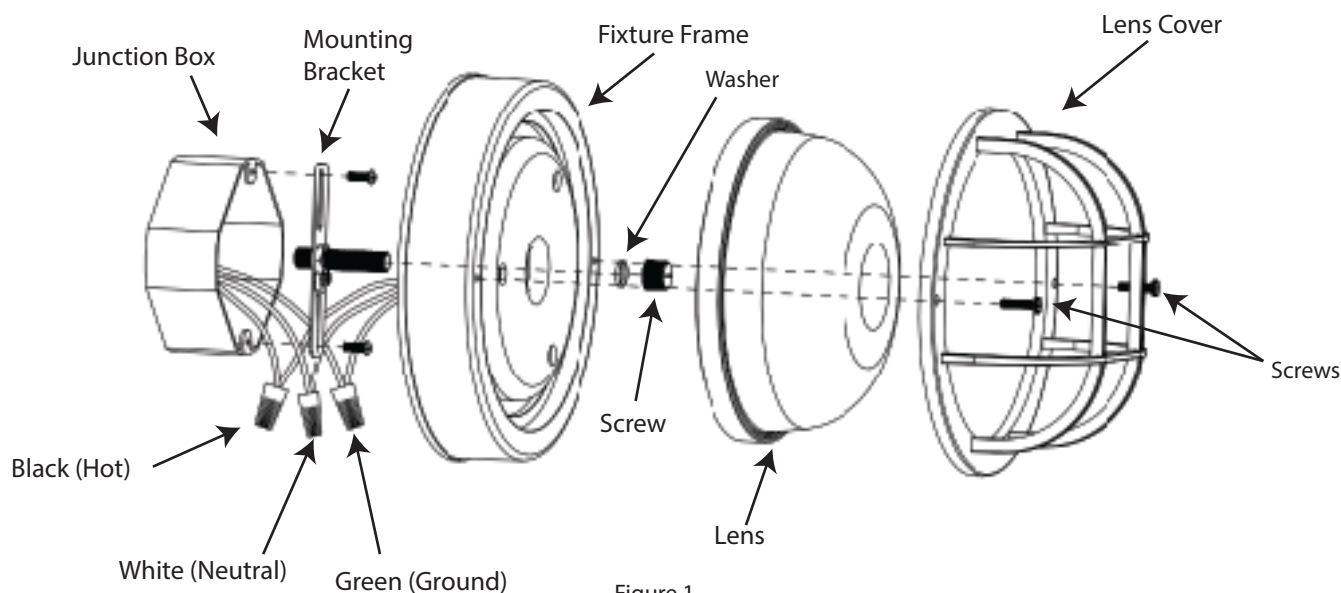
- Risk of fire or electric shock.
- If you are unfamiliar with electrical installations, consult a qualified electrician before proceeding.
- Turn power off from electrical panel before installation or maintenance.
- Do not make or alter any holes in the wiring enclosure or modify any electrical componentry.
- Type IC.

### CAUTIONS

- Intended for installation in accordance with local codes and the National Electric Code (NEC).
- This fixture is designed for use with 120VAC, 50/60Hz only.
- Suitable for wet locations.
- Wall mount only.
- To ensure personal safety, proper grounding of the electrical fixture is required.

## WIRING INSTRUCTIONS

1. Ensure that power has been turned off by switching the circuit breaker or by removing the fuse from the fuse panel.
2. If you are replacing an existing fixture, remove and disconnect the old fixture first.
3. Mount the hanging bracket to the wall using the provided screws.
4. Connect the fixture ground wire (green) to the supply ground (green or bare copper) with the provided wire nuts.
5. Connect the fixture neutral wire (white) to the supply neutral wire (white) with the provided wire nuts.
6. Connect the fixture hot wire (black) to the supply hot wire (black) with the provided wire nuts.
7. Mount the fixture frame to the mounting bracket using the provided screws while ensuring no wires are being pinched or misplaced.
8. Attach the lens with the spacer and screw as seen in the figure and place the lens cover over top.
9. Use the provided screw to tighten the lens cover to the fixture frame.
10. Installation is now complete. Restore power and using the button on the side of the light preview and select the desired color temperature.



## 3 YEAR WARRANTY

Maxxima extends a 3 year limited warranty to the original purchase that the products listed are free from defects in material and/or workmanship only. Maxxima will replace any warranted product to the original consumer/purchaser if the product fails because of defects due to workmanship and/or materials within the limited warranty period. Limited warranty is not transferable and applies to the original installation of the Maxxima product. This offer does not constitute in any way a product guarantee and Maxxima does not hereby assume any obligation whatsoever beyond sending a free replacement product.