

# Physical Installation

Review the Pre-Installation Checklist below to make sure the Water Main Shut-Off can be used for your application. The device should already be included in your Z-Wave system before continuing further.

## Pre-Installation Checklist

- ✓ The Water Main Shut-Off can be installed on any 1/2" to 1-1/2" brass ball valve
- ✓ Make sure the VALVE HANDLE is comfortably usable by hand prior to installation
- ✓ The valve should be 5" away from any walls or other obstructions (Figure 3)
- ✓ Make sure the OPEN/CLOSE BUTTON is accessible in the final position
- ✓ Make sure there is a working power outlet (that will always be powered on) reachable with a 10' cord from the valve
- ✓ Finally, confirm that you are still within range of your Z-Wave controller.

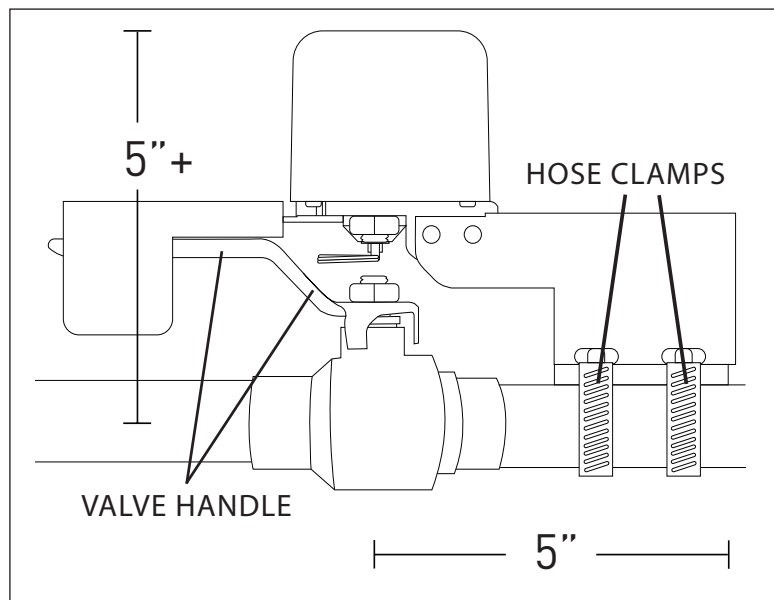


Figure 4 - Water Main Shut-Off Installation

## Installation Process

1. Make sure the installed valve is comfortably usable by hand before continuing further.
2. Open both HOSE CLAMPS completely so their ends are free, insert both of them into the slots in the MOUNTING BRACKET, and let them hang loosely.
3. Remove the protective film covering the screws on the CONTROL ARM and spread the CONTROL ARM.
4. Make sure both the valve and the Water Main Shut-Off are in the “open” position (where the handle is in line with the pipe, not at a right angle to it,) and slide the CONTROL ARM around the valve’s handle.
5. Loosely tighten the hose clamps around the pipe on the opposite side of the valve handle so it remains moveable.
6. Position the bolt of the Water Main Shut-Off directly above the bolt of the

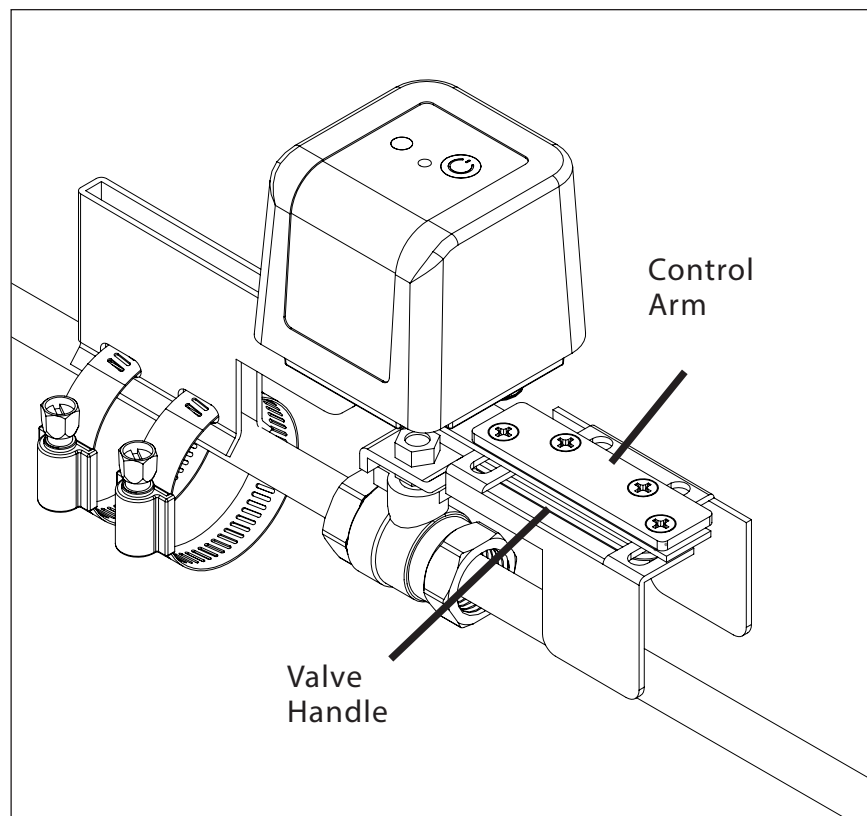


Figure 5 - Sliding the CONTROL ARM around the valve handle

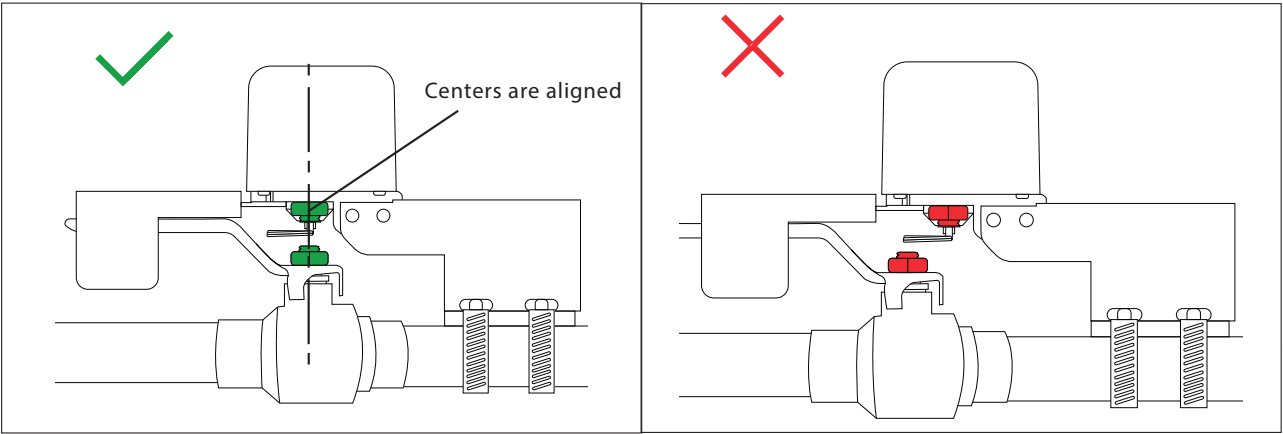


Figure 6 - Proper Alignment of the Water Main Shut-Off

ball valve, and tighten the HOSE CLAMPS until the Shut-Off is completely secure (Figure 5.)

7. Squeeze the CONTROL ARM closed around the valve handle and secure it

**CAUTION**

It is absolutely critical that the axes for both the valve and Water Main Shut-Off are aligned. Improper installation will result in unreliable performance. Examine Figure 5 for more details and please visit [www.domeha.com/support](http://www.domeha.com/support) if you require further assistance.

tightly with the four screws previously covered by the protective film.

8. To test for proper installation, power up the device and press the OPEN/CLOSE BUTTON. The motor will engage and your valve will close.