

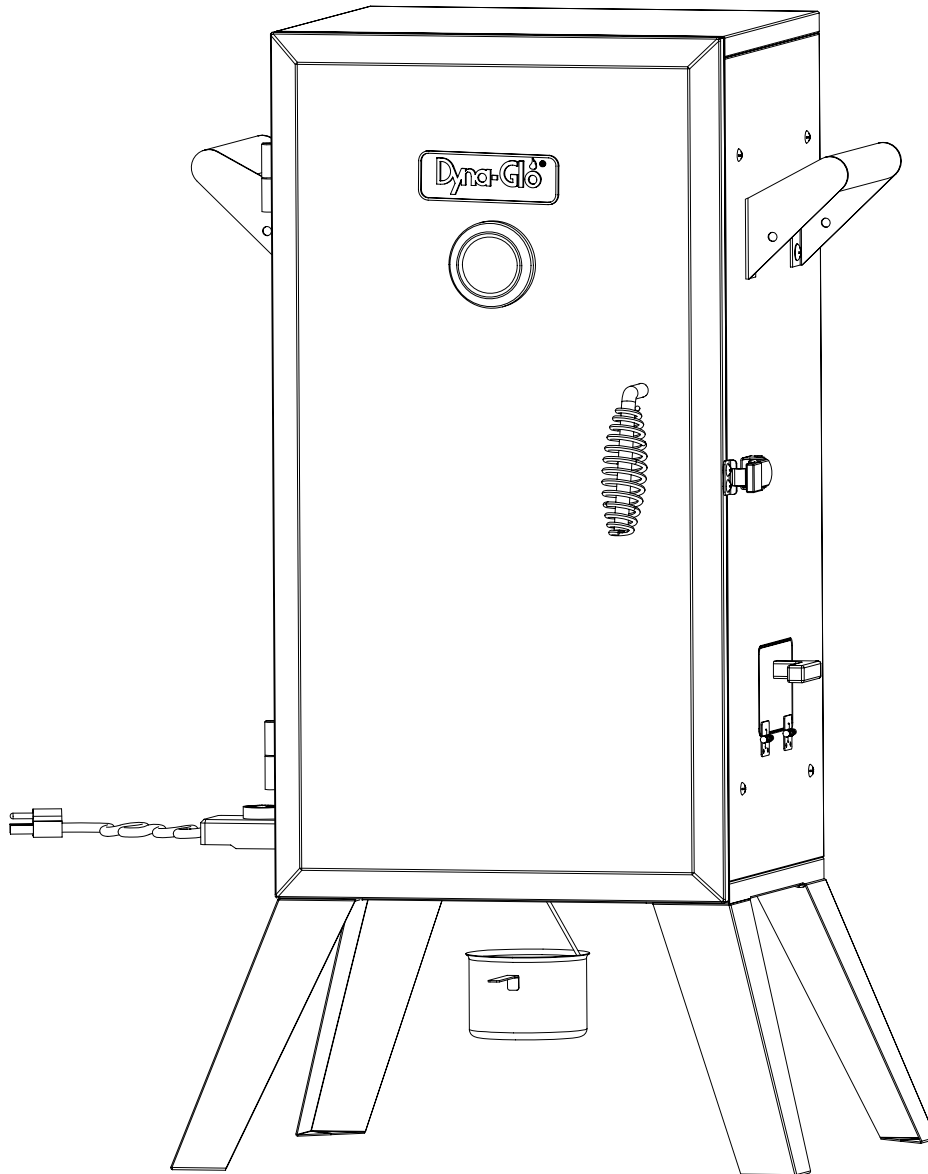


Vertical Electric Analog Smoker

MODEL #DGU505BAE / DGU505BAE-D

Français p. 28

Español p. 56



**FOR OUTDOOR
USE ONLY**
Use only with Class A GFI
(Ground Fault Interrupter)

ATTACH YOUR RECEIPT HERE

Serial Number _____ Purchase Date _____



Questions, problems, missing parts? Before returning to your retailer, call our customer service department at 1-877-447-4768, 8:00 a.m. – 4:30 p.m. CST, Monday – Friday or e-mail us at customerservice@ghpgroupinc.com.



NO NEED TO RETURN TO THE STORE

Questions With The Assembly?
Require Parts Information?
Product Under Manufacturers Warranty?

Call Toll Free : 1-877-447-4768
8:00 a.m. – 4:30 p.m. CST, Monday – Friday

Retain This Owner's Manual And Proof Of Purchase For Future Reference

To help us help you

Fill in the information below:

--	--	--	--

Date of Purchase

Place of Purchase

Model Number

Product Serial No.

MODEL NUMBER AND PRODUCT SERIAL NUMBER CAN BE FOUND ON
THE RATING LABEL OF YOUR GRILL.

TABLE OF CONTENTS

Safety Information	3
Package Contents	8
Hardware Contents	9
Preparation Before Assembly	9
Assembly Instructions	10
Operating Instructions	17
Tips On Smoking	21
Care and Maintenance	23
Troubleshooting	24
Replacement Parts List	26
Warranty	27

Assembler/Installer: This instruction manual contains important information necessary for the proper assembly and safe use of this appliance. Read and follow all warnings and instructions before assembling and using this appliance. **Leave these instructions with the consumer.**

Consumer/User: Follow all warnings and instructions when using this appliance.

SAVE THESE INSTRUCTIONS

SAFETY INFORMATION

Please read and understand this entire manual before attempting to assemble, operate or install the product. If you have any questions regarding the product, call our customer service department at 1-877-447-4768, 8:00 a.m.- 4:30 p.m. CST, Monday - Friday.

CAUTION

- When using electrical appliances, basic precautions should always be followed to reduce the risk of fire, electrical shock, and injury to persons.

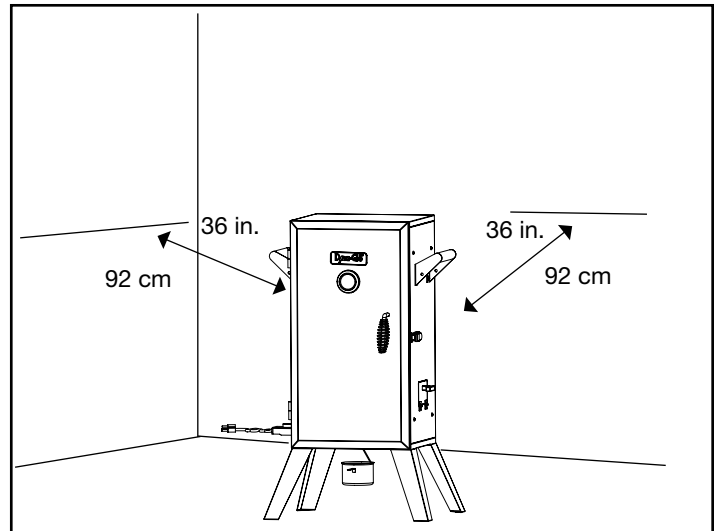
DANGER

- Failure to follow these instructions could result in fire or burn hazard which could cause property damage, personal injury or death.

IMPORTANT SAFEGUARDS

READ ALL INSTRUCTIONS, PRIOR TO USING THIS SMOKER

- **DO NOT** use this product for anything other than its intended purpose. It is **NOT** intended for commercial use. It is **NOT** intended to be installed or used in or on a recreational vehicle and/or boat.
- **DO NOT** operate this smoker with a damaged cord or plug or after the smoker malfunctions, has been dropped, or is damaged in any manner. If the supply cord is damaged, it must be replaced by a special cord or assembly available from the manufacturer or its service agent.
- **DO NOT** use smoker within 10 feet (3 m) of a swimming pool, puddle, pond or other body of water.
- Keep smoker and electric controller dry and out of rain at all times.
- A minimum clearance of 36 in. (92 cm) to combustible material is required on the front, sides and back. It is very important to always maintain proper clearances to combustibles.
- When using flavoring wood, add a sufficient amount at the start of the cooking process, in order to avoid re-adding wood during the cooking process. Adding wood while operating may splash hot water and cause serious injury.
- Check the water level at least every 2 hours. A sizzling sound may indicate a low water level. Follow instructions in this manual for adding water while operating (see Page 17).
- **DO NOT** use the appliance during an electrical storm.
- Connect to properly grounded outlets only. The appliance is to be connected to a socket-outlet having an earthing contact.
- Use only with a Class A GFI (Ground Fault Interrupter) protected circuit.
- The appliance should be supplied through a residual current device (RCD) having a rated residual operating current not exceeding 30 mA.
- Arrange the power cord away from traffic areas to ensure that it is not tripped over.
- To disconnect the smoker, turn the smoker off by turning the control dial to O (OFF), and removing the plug from the outlet.
- **DO NOT** obstruct the flow of ventilated air for the appliance.
- **DO NOT** use metal foil on the cooking grates. Doing so may result in damage to the smoker.
- **DO NOT** use this appliance as a heater.
- **DO NOT** use charcoal or similar combustible fuels with this appliance. This appliance is not designed for use with charcoal and a fire will result if charcoal is used during operation. The fire will create an unsafe condition and damage the smoker.
- Use caution when opening the door of the smoker while in operation. Keep hands, face and body safe from hot steam or flare-ups. **DO NOT** inhale smoke.
- If you must dispose of ashes in less time than it takes for the ashes to completely cool down, then remove the ashes from the appliance using insulated oven mitts or gloves and completely soak the ashes with water before disposing of them in a noncombustible container.
- **DO NOT** wear loose clothing while operating the smoker. Tie back long hair while operating the smoker.
- **ALWAYS** wear shoes that fully cover your feet while operating the smoker.



SAFETY INFORMATION

- **DO NOT** touch hot surfaces. Use handles or knobs.
- To protect against electrical shock do not immerse cord, plugs, or thermostat control assembly in water or other liquid.
- Close supervision is necessary when any appliance is used by or near children. This appliance is not intended for use by persons (including children) with reduced physical, sensory or mental capabilities, or lack of experience and knowledge, unless they have been given supervision or instruction concerning use of the appliance by a person responsible for their safety.
- Unplug from outlet when not in use and before cleaning. Allow to cool before putting on or taking off parts.
- **DO NOT** operate any appliance with a damaged cord or plug or after the appliance malfunctions or has been damaged in any manner. Return appliance to the nearest authorized service facility for examination, repair, or adjustment.
- The use of accessory attachments not recommended by the appliance manufacturer may cause injuries.
- **DO NOT** use indoors.
- **DO NOT** let cord hang over edge of table or counter, or touch hot surfaces.
- Do not place on or near a hot gas or electric burner, or in a heated oven.
- Extreme caution must be used when moving an appliance containing hot oil or other hot liquids.
- Always attach plug to appliance first, then plug cord into the wall outlet. To disconnect, turn the control dial to O (OFF), then remove plug from wall outlet.
- **DO NOT** use appliance for any reason other than intended use.
- Use extreme caution when removing trays or disposing of hot grease.
- **DO NOT** clean with metal scouring pads. Pieces can break off the pad and touch electrical parts, creating a risk of electric shock.
- Fuel, such as charcoal briquettes, is not to be used with appliance.
- Use only on properly grounded outlet.
- Be sure that handles are assembled and fastened properly. See instructions regarding handles on Page 11.
- **SAVE THESE INSTRUCTIONS.**

WARNING

- **DO NOT** use 16 or 18 gauge extension cords. Damage to household wiring and/or fire could result.

THE USE OF AN EXTENSION CORD IS NOT RECOMMENDED.

READ ALL INSTRUCTIONS, PRIOR TO USING AN EXTENSION CORD WITH THIS SMOKER

- Use only **OUTDOOR** type with 3 prong grounding plug, rated for 15 amperes or more, approved by UL, marked with a W-A and a tag stating “Suitable for Use with Outdoor Appliance”.
- Use the shortest length extension cord required. Do not connect 2 or more extension cords together.
- Do not let cord hang over edge of table top or other items where it can be pulled by children or tripped over.

SAFETY INFORMATION

Ground Fault Interrupter

- Since 1971 the National Electric Code (NEC) has required Ground Fault Interrupter devices on all outdoor circuits.
- If your residence was built before 1971, check with a qualified electrician to determine if a Ground Fault Interrupter protector exists.
- Do not use this appliance if the circuit does not have Class A GFI protection.
- Do not plug this appliance into an indoor circuit.

GENERAL SAFETY

READ ALL INSTRUCTIONS PRIOR TO USING THIS SMOKER

- This appliance is for outdoor use only in well-ventilated areas. **DO NOT** operate it under a roof, in a building, garage or any other enclosed area, or under overhead construction.
- Before each use check that no dead leaves or debris are under the appliance.
- Keep a fire extinguisher near this product at all times.
- Always unplug the smoker when not in use.
- Allow the smoker and its components to cool completely before conducting any routine cleaning or maintenance.
- **DO NOT** use water or other liquid spray to clean the smoker without first unplugging the unit.
- Allow the smoker to cool to 115°F (45°C) before moving or storing. Use caution when lifting and moving the appliance to avoid back strain or back injury.
- **DO NOT** move the appliance while it is in use.
- When not in use, the smoker should be kept out of the elements or protected with a cover. Allow the smoker to completely cool before placing the cover. Store this appliance in a dry, protected location when possible.
- Use of accessory attachments not recommended by the appliance manufacturer may lead to injury or property damage.

! WARNING !

To Avoid Serious Injury:

- While cooking, the smoker must be on a level, stable, noncombustible surface in an area clear of combustible material, including long or dry grass.
- The use of alcohol, prescription or nonprescription drugs may impair the user's ability to properly assemble and safely operate this appliance.
- **DO NOT** move the appliance while it is in use.
- **DO NOT** store and use this appliance near gasoline or other combustible liquids or where other combustible vapors may be present.
- The smoker should only be used in well ventilated areas.
- **DO NOT** use this appliance as a heater.
- **DO NOT** leave the appliance unattended while in use. Keep children and pets away from the appliance at all times.
- This appliance will be hot during and after use. Use insulated oven mitts or gloves for protection from hot surfaces or splatter from cooking liquids.

CALIFORNIA PROPOSITION 65

! WARNING

This product and the fuels used to operate this product (charcoal or wood), and the products of combustion of such fuels, can expose you to chemicals including carbon black, which is known to the State of California to cause cancer, and carbon monoxide, which is known to the State of California to cause birth defects or other reproductive harm.

For more information go to www.p65Warnings.ca.gov

! DANGER !

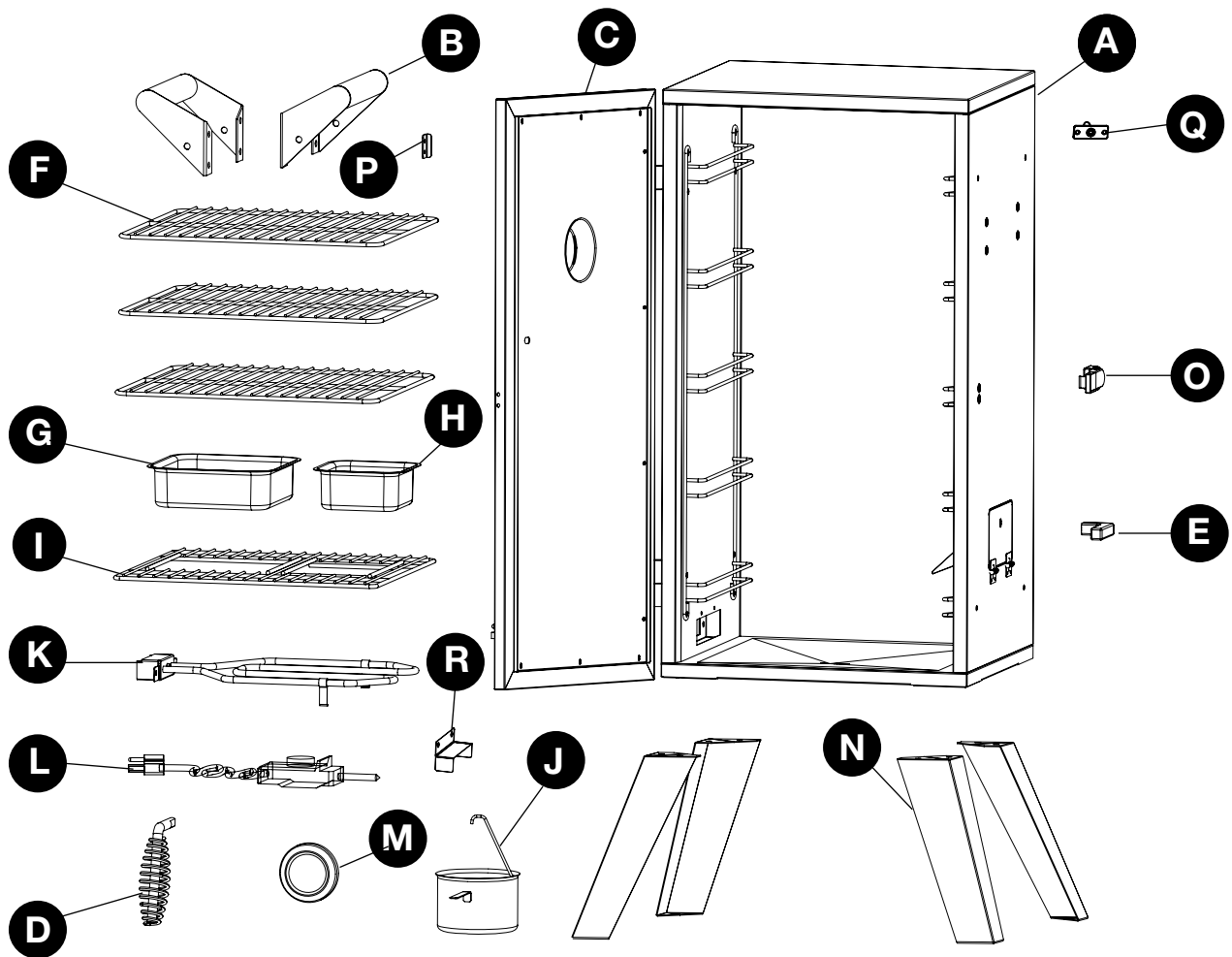
In case of fire, unplug smoker from outlet and allow fire to burn out. Do not use water to put out a fire in this or another electrical appliance.

To avoid electrical shock, disconnect electric cord before cleaning smoker. Never immerse electric controller or heating element in any liquid.

To avoid the possibility of burns make sure the smoker is completely cooled before removing and/or cleaning electric controller and heating element.

DO NOT use steel wool or wire brushes to clean the inside of the appliance. Pieces can break off and touch electrical parts creating a risk of electric shock.

PACKAGE CONTENTS



PART	DESCRIPTION	QUANTITY
A	Smoker cabinet	1
B	Side handle	2
C	Door	1
D	Door handle	1
E	Wood chip access door handle	1
F	Cooking grate	3
G	Water bowl	1
H	Wood chip box	1
I	Wood chip box support	1
J	Grease cup	1
K	Heating element	1
L	Thermostat control	1
M	Temperature gauge	1
N	Leg	4
O	Door latch	1
P	Door latch bracket	1
Q	Air outlet	1
R	Thermostat shield	1

HARDWARE CONTENTS

AA



1/4" -20 x 1/2"
Screw

Qty. 16

BB



#10-24 x 1"
Screw

Qty. 2

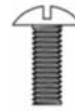
CC



#10-24
Screw

Qty. 4

DD



#10-24 x 1/2"
Screw

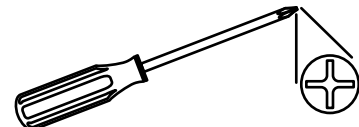
Qty. 9

PREPARATION BEFORE ASSEMBLY

Before beginning assembly of product, make sure all parts are present. Compare parts with package contents list and hardware contents above. If any part is missing or damaged, do not attempt to assemble the product. Please read and understand this entire manual before attempting to assemble, operate or install the product. If you have any questions regarding the product, call our customer service department at 1-877-447-4768, 8:00 a.m.- 4:30 p.m. CST, Monday - Friday.

Estimated Assembly Time: 15 minutes

Tools Required for Assembly (not included): Phillips Screwdriver



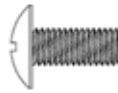
ASSEMBLY INSTRUCTIONS

1. **CAUTION: This unit is HEAVY! Do not attempt the first 2 steps without assistance! Remove the door assembly (C) by opening and sliding the doors up and off the hinges.**

With the assistance of a helper, turn the smoker cabinet (A) upside down. Align the legs (N) on the front corners of the smoker cabinet (A). Secure with 8 $\frac{1}{4}$ "-20 x $\frac{1}{2}$ " screws (AA). Tighten all bolts.

Hardware Used

AA $\frac{1}{4}$ "-20 x $\frac{1}{2}$ " Screw x 8



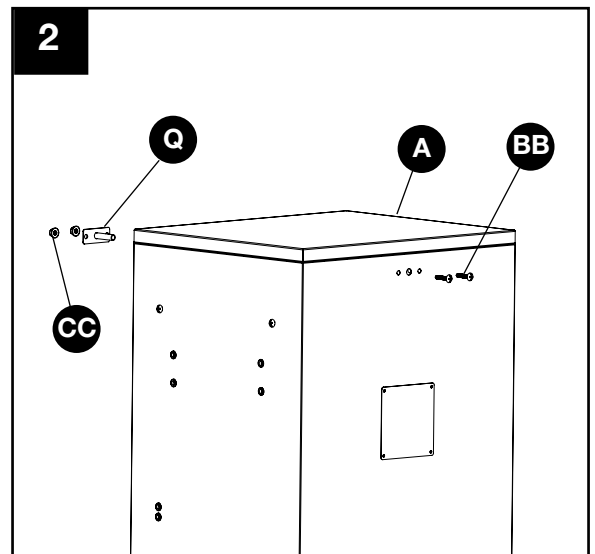
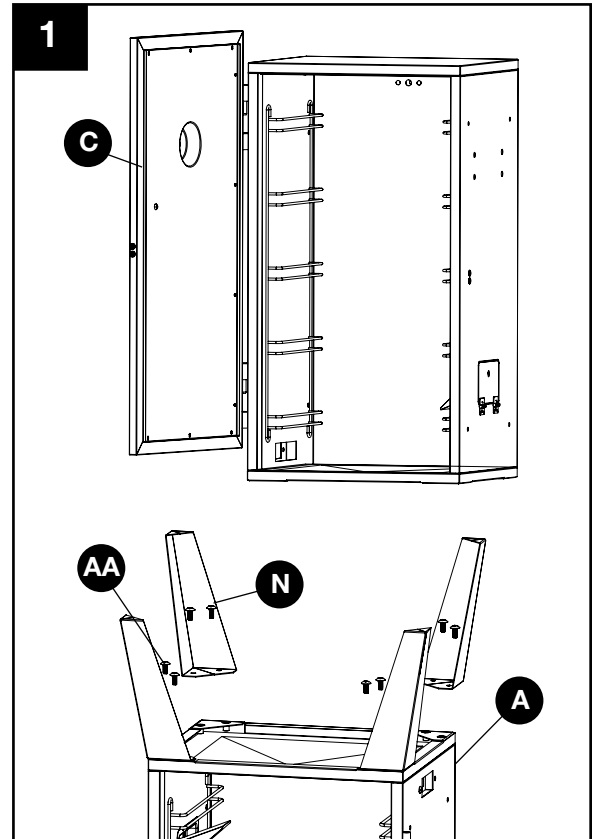
2. With the assistance of a helper, stand the unit upright on its legs on a firm and level surface. Insert the tube of the air outlet (Q) through the inside of smoker cabinet (A) and attach using 2 #10-24 x 1" screws (BB) and 2 #10-24 nuts (CC).

Hardware Used

BB #10-24 x 1" Screw x 2



CC #10-24 Nut x 2

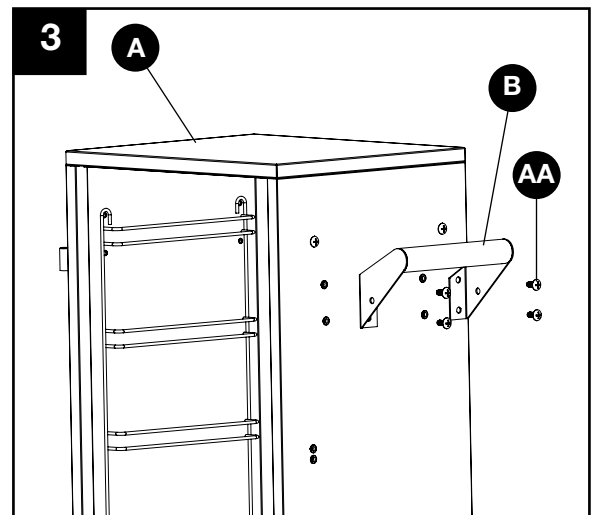
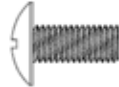


ASSEMBLY INSTRUCTIONS

- Attach each of the side handles (B) to the smoker cabinet (A) using 4 1/4"-20 x 1/2" screws (AA) per side.

Hardware Used

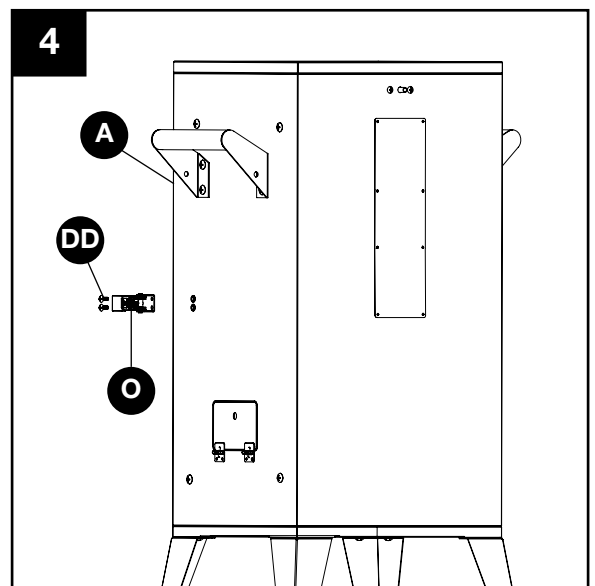
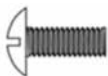
AA 1/4"-20 x 1/2"
Screw x 8



- Attach the door latch (O) to the smoker cabinet (A) using 2 #10-24 x 1/2" screws (DD).

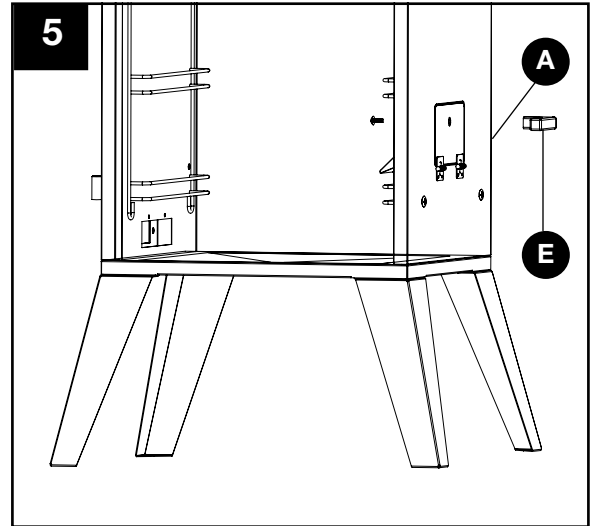
Hardware Used

DD #10-24 x 1/2"
Screw x 2

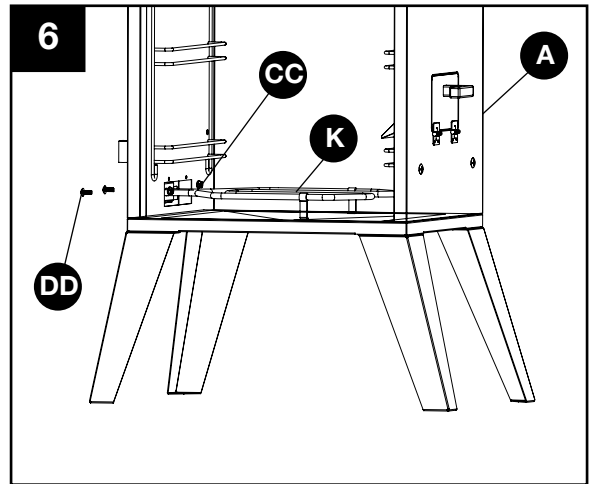


ASSEMBLY INSTRUCTIONS



5. Remove the pre-assembled screw from the wood chip access door handle (E) and install the handle (E) on the side access door of the smoker cabinet (A).



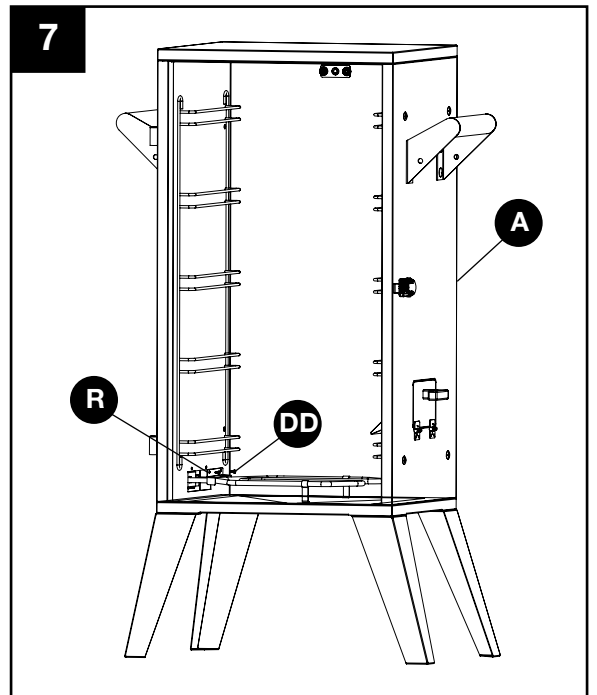
6. Attach the heating element (K) to the smoker cabinet (A) using 2 #10-24 x 1/2" screws (DD) and 2 #10-24 Nuts (CC).



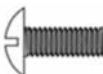
Hardware Used

DD	#10-24 x 1/2" Screw		x 2
CC	#10-24 Nut		x 2

7. Attach the thermostat shield (R) to the smoker cabinet (A) using 2 #10-24*1/2" screws (DD) .

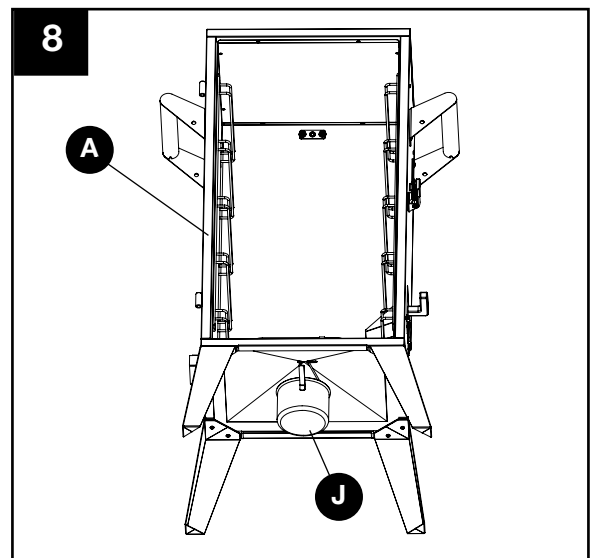


Hardware Used

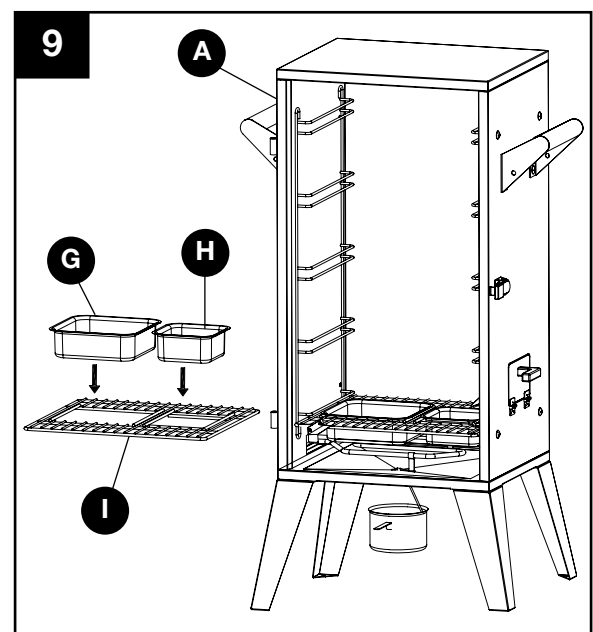
DD	#10-24 x 1/2" Screw		x 2
-----------	------------------------	---	-----

ASSEMBLY INSTRUCTIONS

8. Hang the grease cup (J) to the bottom of the smoker cabinet (A).

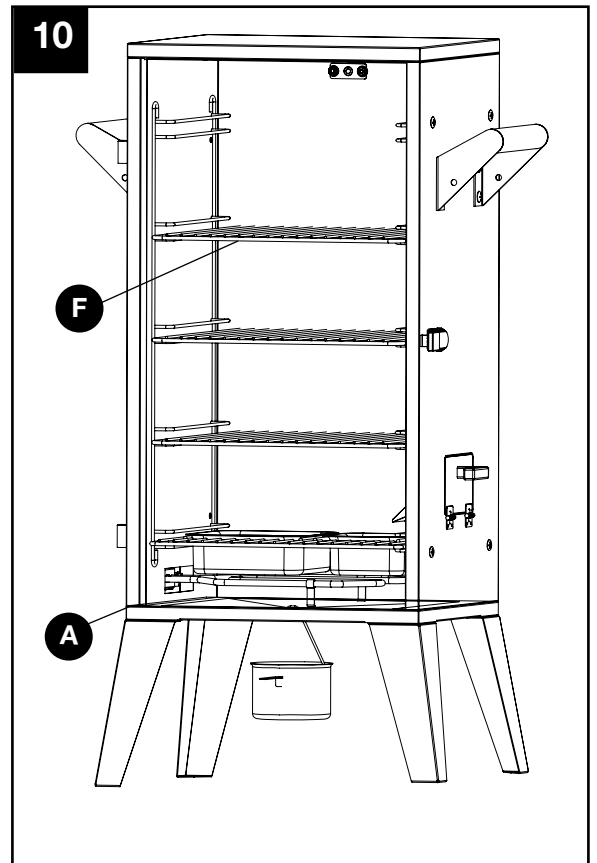


9. Place water bowl (G) and wood chip box (H) on the wood chip box support (I). Slide the wood chip box support (I) onto the bottom rails of the pre-installed wire supports.

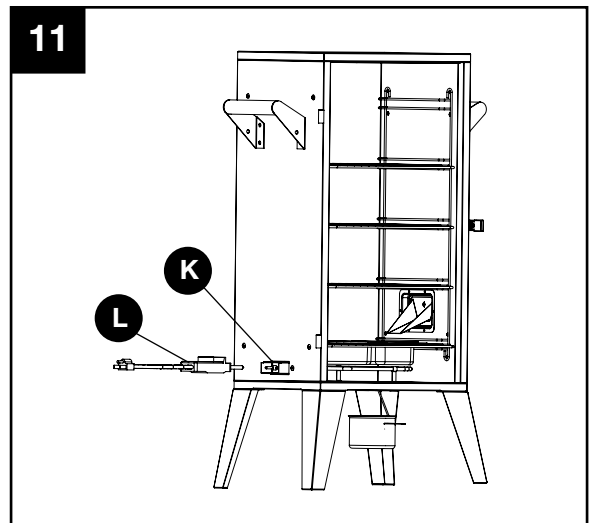


ASSEMBLY INSTRUCTIONS

10. Insert cooking grates (F) on pre-installed wire supports inside the smoker cabinet (A).



11. Firmly insert the thermostat control (L) into the external housing of the heating element (K).

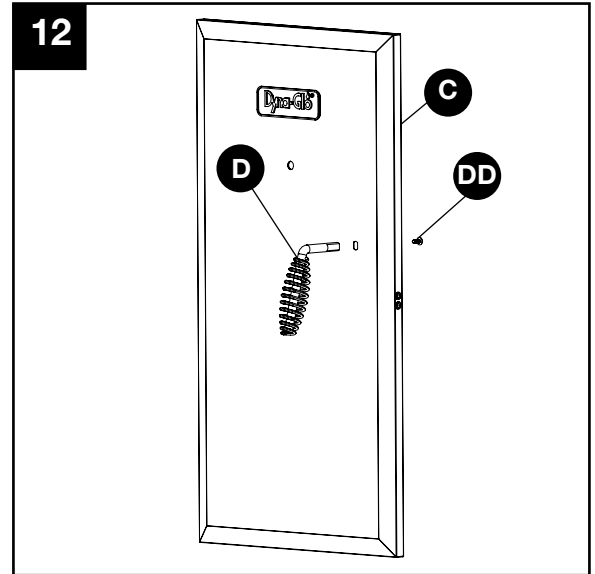


ASSEMBLY INSTRUCTIONS

12. Attach the door handle (D) to the door (C) using 1 #10-24 x 1/2" screw (DD).

Hardware Used

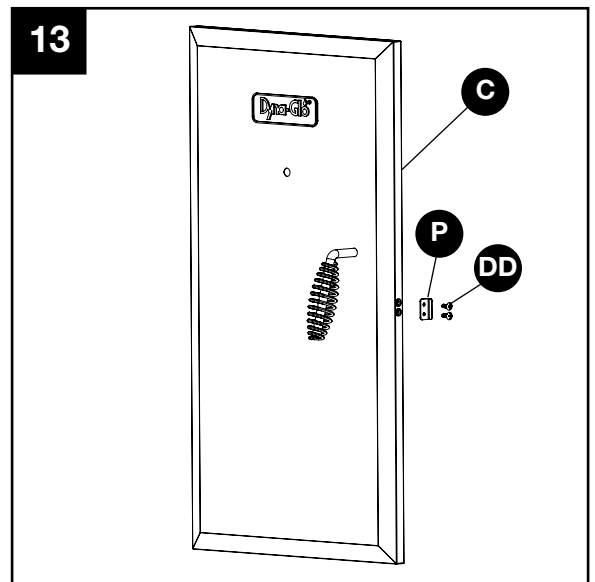
DD #10-24 x 1/2"
Screw x 1



13. Attach the door latch bracket (P) to the door (C) using 2 #10-24 x 1/2" screws (DD).

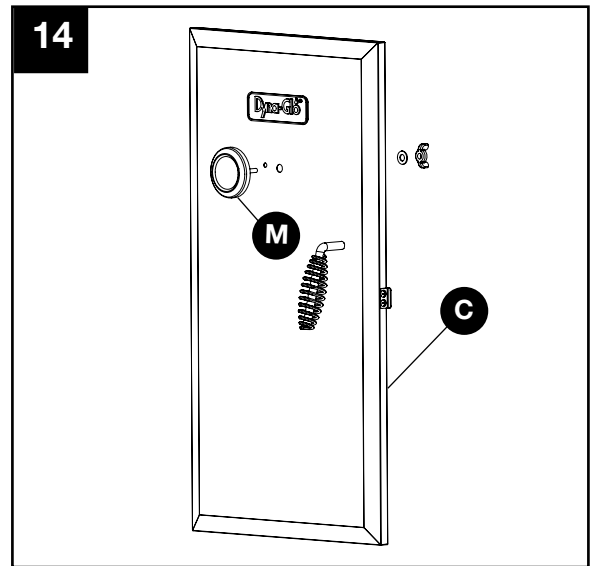
Hardware Used

DD #10-24 x 1/2"
Screw x 2

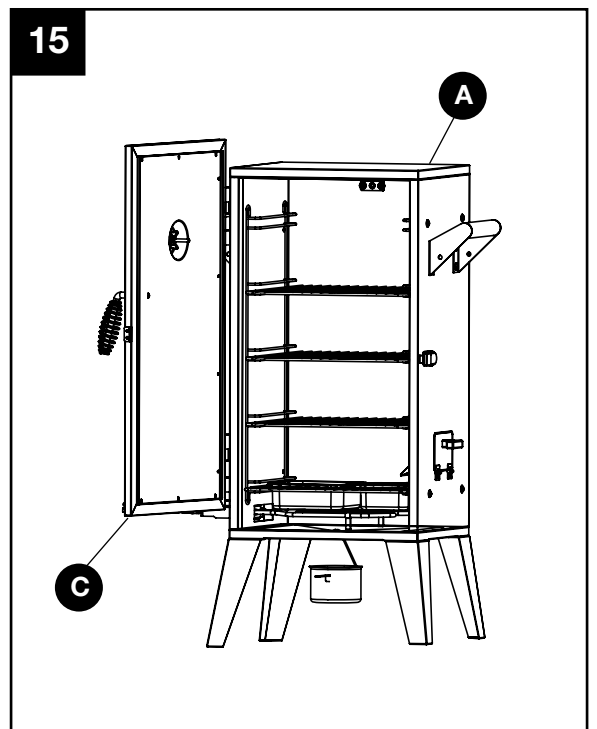


ASSEMBLY INSTRUCTIONS

14. Remove the pre-installed washer and nut from the temperature gauge (M) and insert the probe through the middle hole of the door (C). Secure with pre-assembled washer and nut.



15. Attach the door (C) to the smoker cabinet (A).



REPLACEMENT PARTS LIST

For replacement parts, call our customer service department at 1-877-447-4768, 8:00 a.m. - 4:30 p.m. CST, Monday - Friday or e-mail us at customerservice@ghpgroupinc.com.

PART	DESCRIPTION	PART #
1	Smoker Cabinet	70 - 01 - 375
2	Door Assembly with Logo (No Temp Gauge)	70 - 01 - 370
3	Side Handle (L/R)	70 - 01 - 373
4	Temp Gauge	70 - 01 - 372
5	Cooking Grates	70 - 01 - 374
6	Door Handle	70 - 01 - 371
7	Door Latch Bracket	70 - 01 - 352
8	Door Latch Handle (without Sleeve)	70 - 01 - 353
9	Door Latch Handle Sleeve	70 - 01 - 356
10	Leg	70 - 01 - 379
11	Air Outlet Tube	70 - 01 - 381

PART	DESCRIPTION	PART #
12	Wood Chip Access Door Handle*	70 - 01 - 383
13	Water Bowl	70 - 02 - 611
14	Wood Chip Box	70 - 02 - 612
15	Water Bowls & Wood Chip Box Support	70 - 01 - 376
16	Cooking Grate Support	70 - 01 - 382
17	Grease Cup	70 - 01 - 380
18	Heating Element	70 - 01 - 377
19	Thermostat Control	70 - 01 - 378
20	Thermostat Shield	70 - 01 - 424
n/a	Hardware Pack	70 - 09 - 506
n/a	Instruction Manual	70 - 09 - 560

