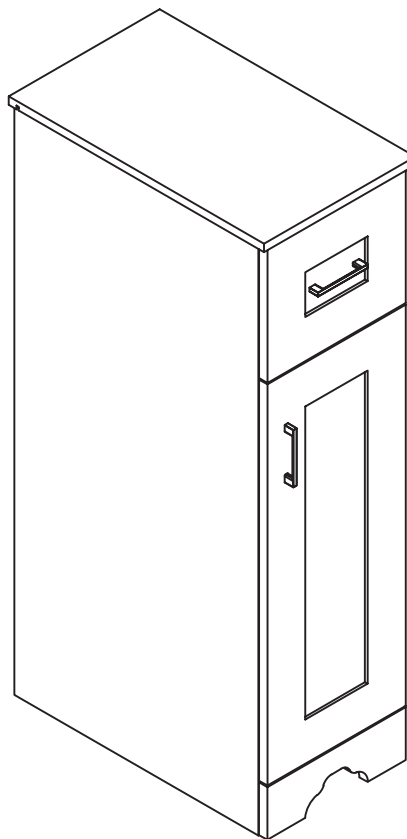


ASSEMBLY INSTRUCTIONS

13 IN. HAWTHORNE MID AUXILIARY CABINET



Questions, problems, missing parts?
Before returning to the store, call Home Decorators Collection Customer Service.
8 a.m. – 7 p.m., EST, Monday – Friday, 9 a.m. – 6 p.m., EST, Saturday

1-800-998-7021

HOMEDEPOT.COM/HOMEDECORATORS

THANK YOU

We appreciate the trust and confidence you have placed in Home Decorators Collection through the purchase of this mid auxiliary cabinet. We strive to continually create quality products designed to enhance your home. Visit us online to see our full line of products available for your home improvement needs. Thank you for choosing Home Decorators Collection!

Table of Contents

Table of Contents	2	Planning Assembly	3
Safety Information	2	Tools Required	3
Warranty	2	Hardware Required	3
LIMITED LIFETIME WARRANTY	2	Pre-assembly (continued)	4
What is Covered	2	Package Contents	4
What is Not Covered	2	Installation	5
California and Minnesota Residents	3	Hinge Adjustment	8
California residents	3	Maintenance	8
Minnesota residents	3	Care and Cleaning	8
Pre-assembly	3	Troubleshooting	8

Safety Information



WARNING

- Two people are required for safe installation. Take extra precautionary measures to ensure a secure grip on the mid auxiliary cabinet when lifting.
- Read these instructions carefully and keep in a safe place.
- Do not over tighten connectors (screws, bolts, etc.) Overtightening can lead to product damage.
- Assembly needs to be carried out by a qualified person. Wrong assembly can lead to the furniture / object falling resulting in personal injury or damage.
- Screws or fittings are not included. Choose screws and fittings that suit your wall and have sufficient holding power. If you are uncertain, contact your local specialized retailer.



CAUTION

- The bathroom floor and wall must be finished prior to assembly of the mid auxiliary cabinet.
- Be sure to check all packing materials carefully for small parts that may have come loose inside the carton during shipment. If parts are missing, contact THE HOME DEPOT to obtain any missing parts.

Warranty

LIMITED LIFETIME WARRANTY

WHAT IS COVERED

Home Decorators Collection products are manufactured with superior quality standards and workmanship and are backed by our limited lifetime warranty. Home Decorators Collection products are warranted to the original consumer purchaser to be free of defects in materials or workmanship. We will replace FREE OF CHARGE any product or parts that proves defective. Simply, return the product / part to any of The Home Depot retail locations or call 1-800-986-3460 to receive the replacement item. Proof of purchase (original sales receipt) from the original consumer purchaser must be made available for all Home Decorators Collection warranty claims.

WHAT IS NOT COVERED

This warranty excludes incidental/inconsequential damages and failures due to misuse, abuse or normal wear and tear. This warranty excludes all industrial, commercial & business usage, whose purchasers are hereby, extended a limited lifetime warranty from the date of purchase, with all other terms of this warranty applying except the duration of warranty. Some states and provinces do not allow the exclusion or limitation of incidental or consequential damages, so the above limitations may not apply to you. This warranty gives you specific legal rights and you may also have other rights that vary from state to state and province to province. Please see a store or contact 1-800-986-3460 for more details.

Contact the Customer Service Team at 1-800-986-3460 or visit www.HOMEDEPOT.COM/HOMEDECORATORS.

California and Minnesota Residents

CALIFORNIA RESIDENTS



WARNING THIS PRODUCT CAN EXPOSE YOU TO STYRENE / WOOD DUST WHICH IS KNOWN TO THE STATE OF CALIFORNIA TO CAUSE CANCER. GO TO WWW.P65WARNINGS.CA.GOV/PRODUCTS

MINNESOTA RESIDENTS

“IMPORTANT HEALTH NOTICE.

SOME OF THE BUILDING MATERIALS USED IN THIS HOME (OR THESE BUILDING MATERIALS) EMIT FORMALDEHYDE. EYE, NOSE, AND THROAT IRRITATION, HEADACHE, NAUSEA AND A VARIETY OF ASTHMA-LIKE SYMPTOMS, INCLUDING SHORTNESS OF BREATH, HAVE BEEN REPORTED AS A RESULT OF FORMALDEHYDE EXPOSURE. ELDERLY PERSONS AND YOUNG CHILDREN, AS WELL AS ANYONE WITH A HISTORY OF ASTHMA, ALLERGIES, OR LUNG PROBLEMS, MAY BE AT GREATER RISK. RESEARCH IS CONTINUING ON THE POSSIBLE LONG-TERM EFFECTS OF EXPOSURE TO FORMALDEHYDE.

REDUCED VENTILATION MAY ALLOW FORMALDEHYDE AND OTHER CONTAMINANTS TO ACCUMULATE IN THE INDOOR AIR. HIGH INDOOR TEMPERATURES AND HUMIDITY RAISE FORMALDEHYDE LEVELS. WHEN A HOME IS TO BE LOCATED IN AREAS SUBJECT TO EXTREME SUMMER TEMPERATURES, AN AIR-CONDITIONING SYSTEM CAN BE USED TO CONTROL INDOOR TEMPERATURE LEVELS. OTHER MEANS OF CONTROLLED MECHANICAL VENTILATION CAN BE USED TO REDUCE LEVELS OF FORMALDEHYDE AND OTHER INDOOR AIR CONTAMINANTS. IF YOU HAVE ANY QUESTIONS REGARDING THE HEALTH EFFECTS OF FORMALDEHYDE, CONSULT YOUR DOCTOR OR LOCAL HEALTH DEPARTMENT.”

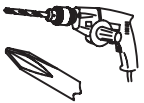
Pre-assembly

PLANNING ASSEMBLY

To ensure your assembly goes smoothly, please read these instructions carefully and review the recommended tools and hardware before you begin.

Using a level, locate any uneven floor and/or wall areas where your mid auxiliary cabinet will be installed. Unevenness can cause your mid auxiliary cabinet to become misaligned resulting in twisting of the cabinet. Repair any uneven areas by reducing high spots or shimming low spots.

TOOLS REQUIRED



Electric drill
with #2 drill bit



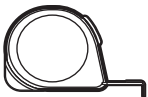
Safety
goggles



Phillips
screwdriver



Level

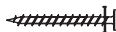


Measuring
tape

HARDWARE REQUIRED



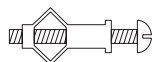
Two wall anchors - if the
mid auxiliary cabinet will not
be screwed to wall studs



For wood wall



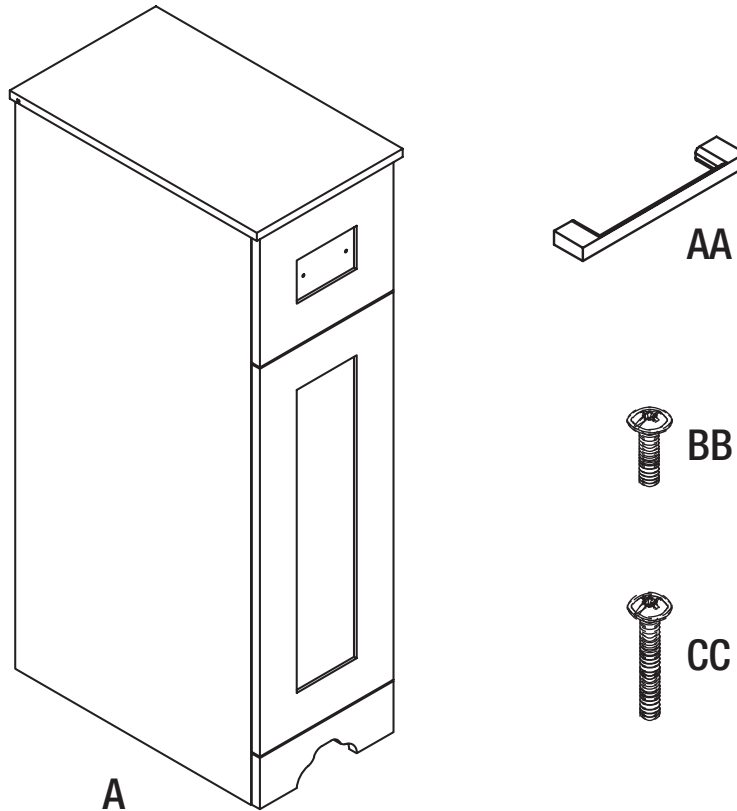
For brick wall



For drywall

Pre-assembly (continued)

PACKAGE CONTENTS

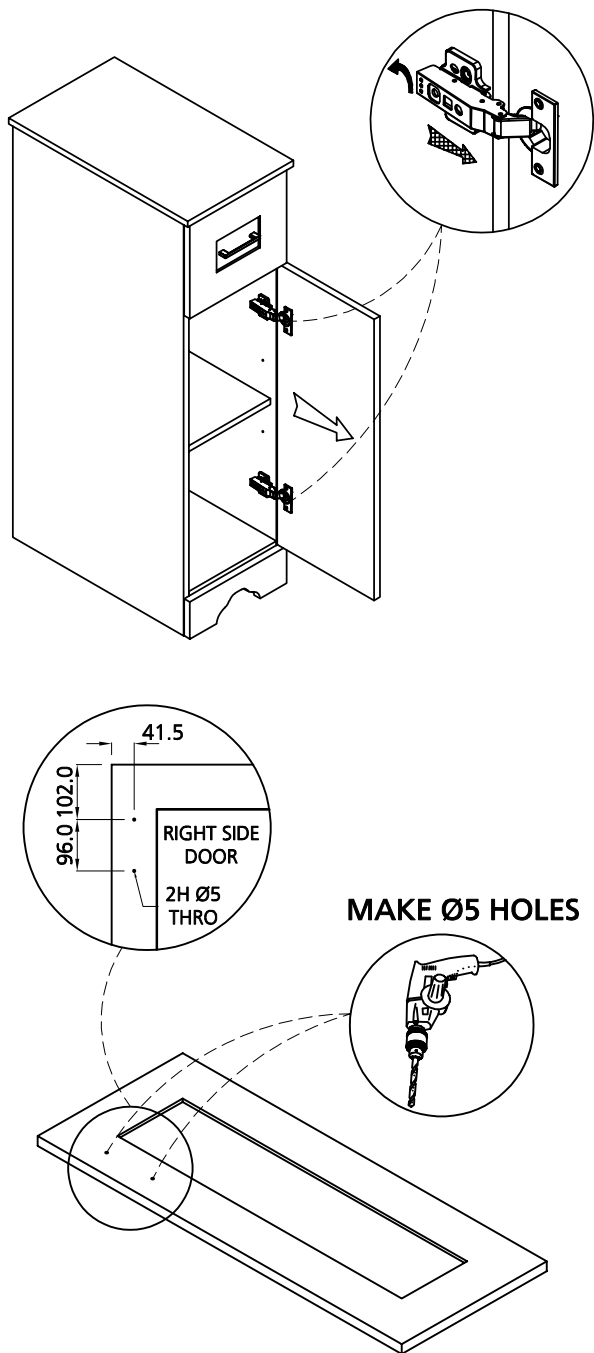


Part	Description	Quantity
A	Mid auxiliary cabinet	1
AA	Handle	2
BB	1 in. screw	2
CC	1-1/2 in. screw	2

Installation

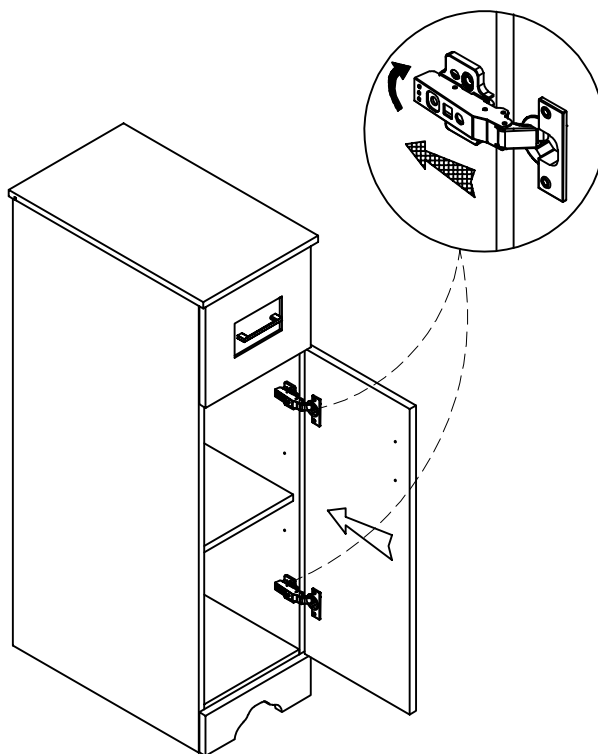
1 Drill the handle holes

- Remove the door from the mid auxiliary cabinet (A) by pressing the hinges.
- Drill $\varnothing 5$ holes in left side of the door for the handle (as shown in the illustration).



2 Re-attaching the door

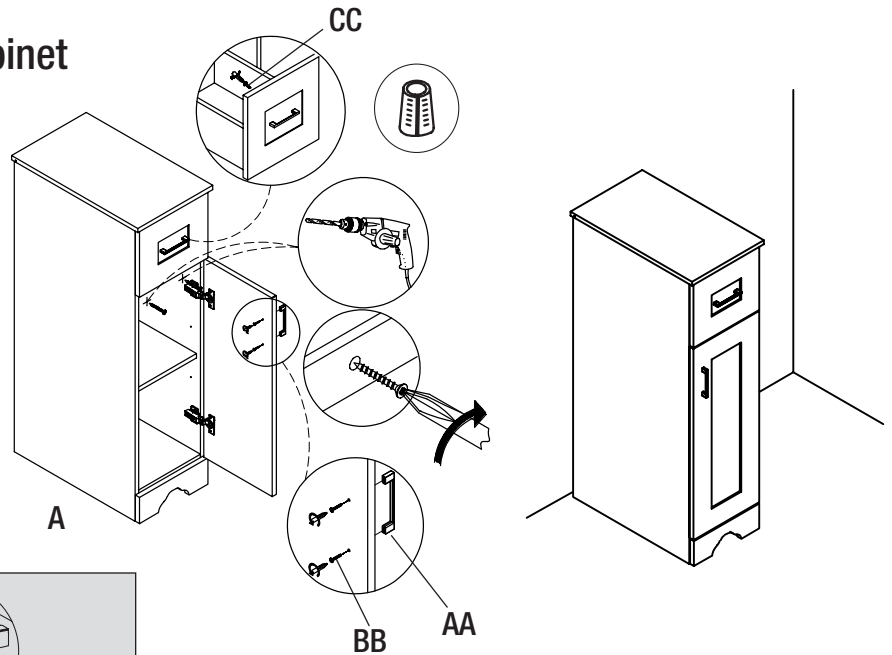
- To re-attach the door, position the door to the mid auxiliary cabinet (A) so its hinge plates align with the mid auxiliary cabinet's pre-drilled holes. Press each hinge to the cabinet to lock the door in place.



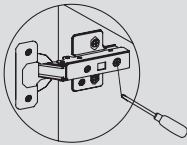
Installation (continued)

3 Securing the mid auxiliary cabinet

- Place the mid auxiliary cabinet (A) in the desired position taking into account the location.
- Ensure the mid auxiliary cabinet (A) is level front to back and at both sides.
- Secure the mid auxiliary cabinet (A) to the wall by inserting two #8 x 2 in. screws (not included) through the back rail of the mid auxiliary cabinet.
- Attach the handle (AA) for the door using the 1 in. screws (BB) and the handle for the drawer using the 1-1/2 in. screws (CC).



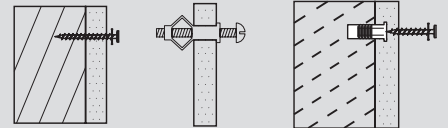
NOTE: Using a Phillips screwdriver, rotate the screw to adjust the door hinges.



CAUTION: For wall stud installation, insert the screws with washers into the stud locations (not included).

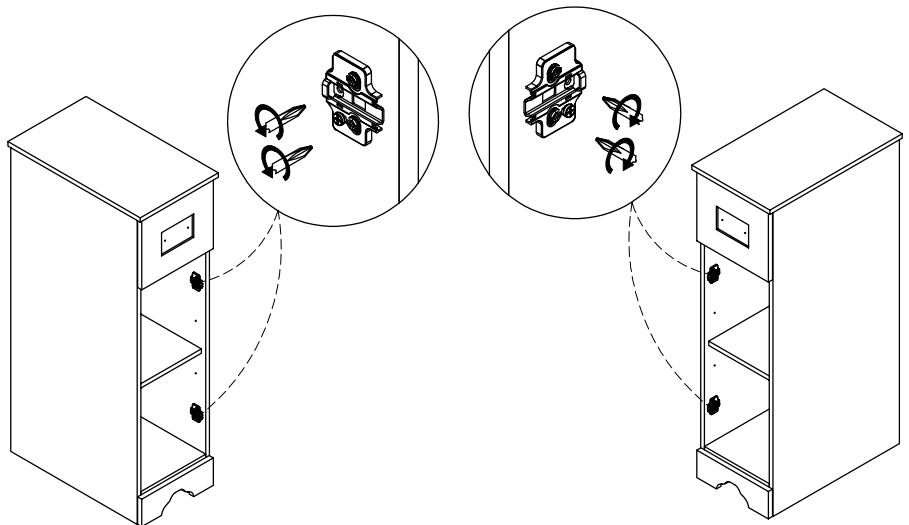
For drywall installation, drill holes at the appropriate locations and insert toggle bolts with washers (not included).

For concrete wall installation, drill 1/4 in. holes at the appropriate locations and insert wall anchors, followed by the screws (not included).



4 Left side door installation

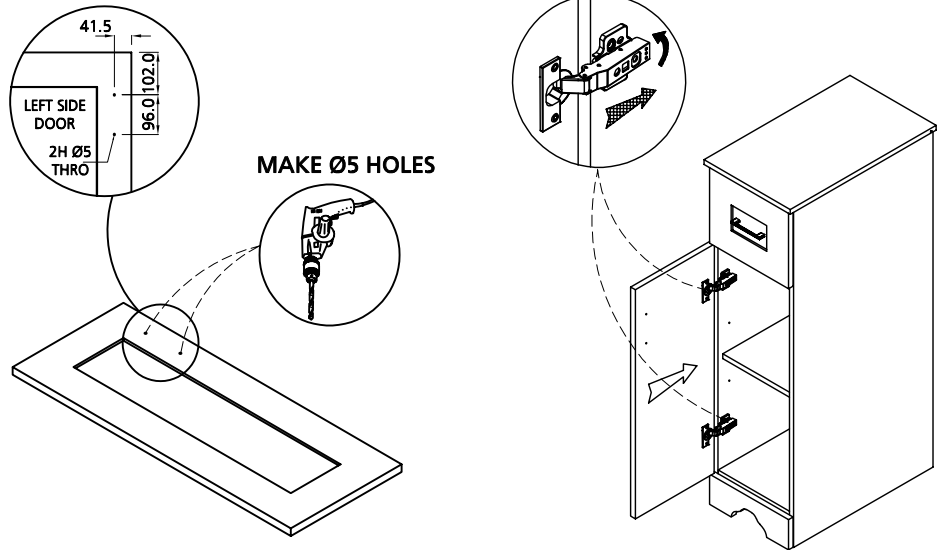
- To change the doors opening from right to left, press the hinges to open the doors.
- Unscrew the part of each mounting plate from the right side gable.
- Attach the mounting plates to the left side gable.



Installation (continued)

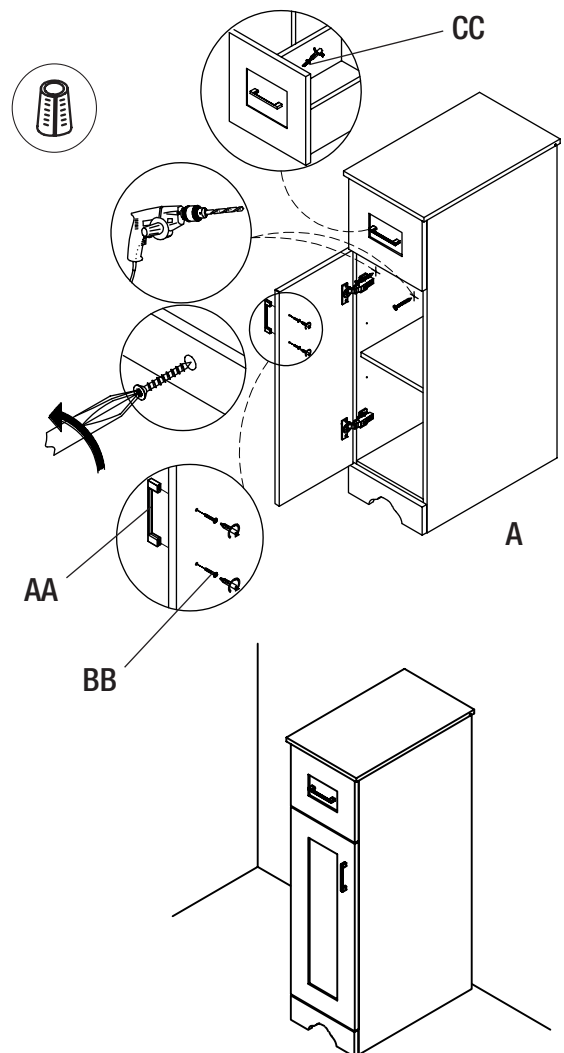
5 Drill the handle holes

- Drill $\varnothing 5$ holes in right side of the door for the handle (as shown in the illustration).
- To install the door, position the door to the mid auxiliary cabinet (A) so its hinge plates align with the cabinet's pre-drilled holes. Press each hinge to the cabinet to lock the door into place.

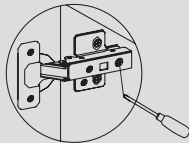


6 Securing the mid auxiliary cabinet

- Place the mid auxiliary cabinet (A) in the desired position taking into account the location.
- Ensure the mid auxiliary cabinet (A) is level front to back and at both sides.
- Secure the mid auxiliary cabinet (A) to the wall by inserting two #8 x 2 in. screws (not included) through the back rail of the mid auxiliary cabinet.
- Attach the handle (AA) for the door using the 1 in. screws (BB) and the handle for the drawer using the 1-1/2 in. screws (CC).



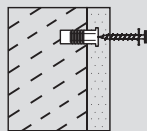
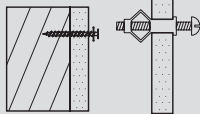
NOTE: Using a Phillips screwdriver, rotate the screw to adjust the door hinges.



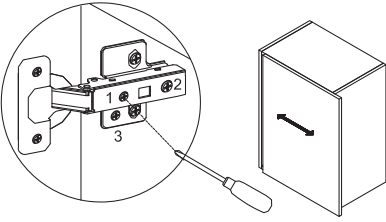
CAUTION: For wall stud installation, insert the screws with washers into the stud locations (not included).

For drywall installation, drill holes at the appropriate locations and insert toggle bolts with washers (not included).

For concrete wall installation, drill 1/4 in. holes at the appropriate locations and insert wall anchors, followed by the screws (not included).

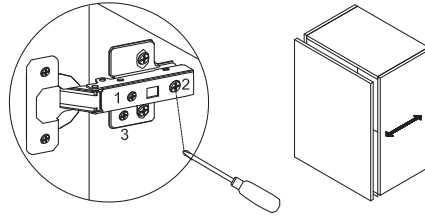


Hinge Adjustment



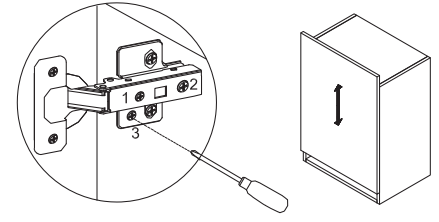
Side adjustment:

Using a Phillips screwdriver, rotate screw (1) clockwise to move the door left and counter-clockwise to move the door right. Moves the door up to 2 mm.



Depth adjustment:

Using a Phillips screwdriver, rotate screw (2) clockwise to move the door forward and counter-clockwise to move the door backwards. Moves the door up to 2 mm.



Height adjustment:

Using a Phillips screwdriver, rotate screw (3) clockwise to move the door upward and counter-clockwise to move the door downward. Moves the door up to 2 mm.

Maintenance

- To maintain the beauty of the furniture finish, avoid placing the mid auxiliary cabinet in direct sunlight.
- Avoid exposing the mid auxiliary cabinet to extreme temperatures by installing away from heat and air vents.

Care and Cleaning

- Dust frequently with a clean, soft and dry cloth.
- Wipe away any water or liquid spills on the mid auxiliary cabinet immediately with a clean, soft and dry cloth.

Troubleshooting

Problem	Possible Cause	Corrective Action
Mid auxiliary cabinet door rubs against another surface.	Floor is not level.	<ul style="list-style-type: none"> <input type="checkbox"/> Use a shim to ensure the cabinet is level. <input type="checkbox"/> Adjust the door hinges.
There is uneven gap between the door or drawer and the cabinet.	Floor is not level.	<ul style="list-style-type: none"> <input type="checkbox"/> Use a shim to ensure the cabinet is level. <input type="checkbox"/> Adjust the door hinges.

**HOME
DECORATORS
COLLECTION®**

Questions, problems, missing parts?
Before returning to the store, call Home Decorators Collection Customer Service.
8 a.m. - 7 p.m., EST, Monday - Friday, 9 a.m. - 6 p.m., EST, Saturday

1-800-998-7021

HOMEDEPOT.COM/HOMEDECORATORS

Retain this manual for future use.