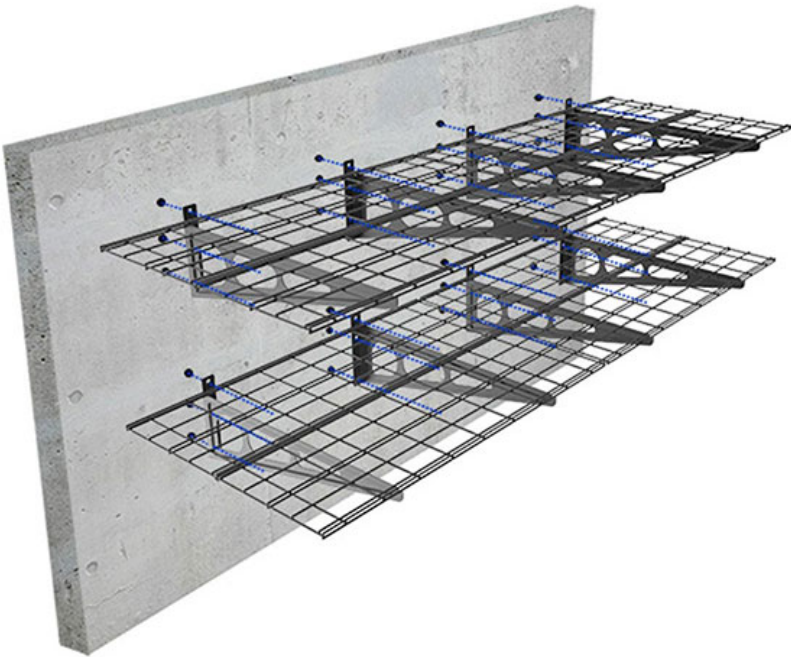


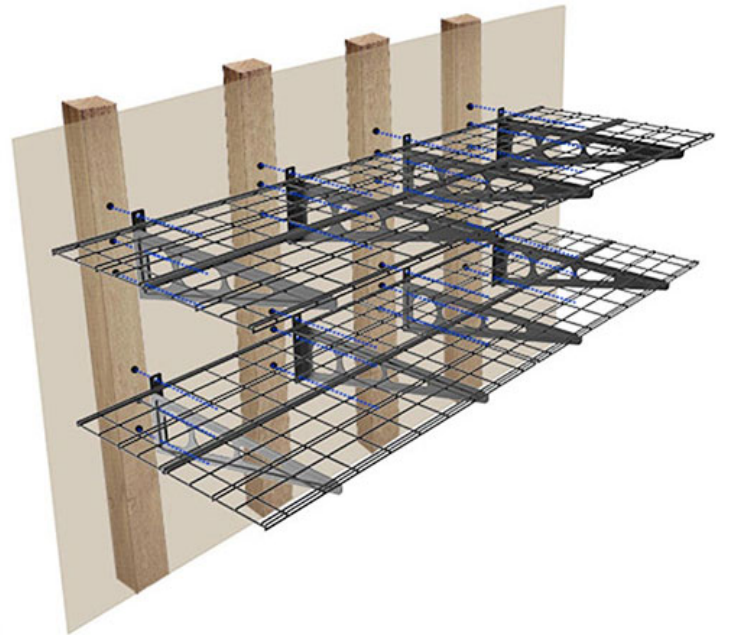


USE GUIDE
FLEXIMOUNTS GARAGE RACKS

INSTALL IN WOOD STUDS OR CONCRETE ONLY

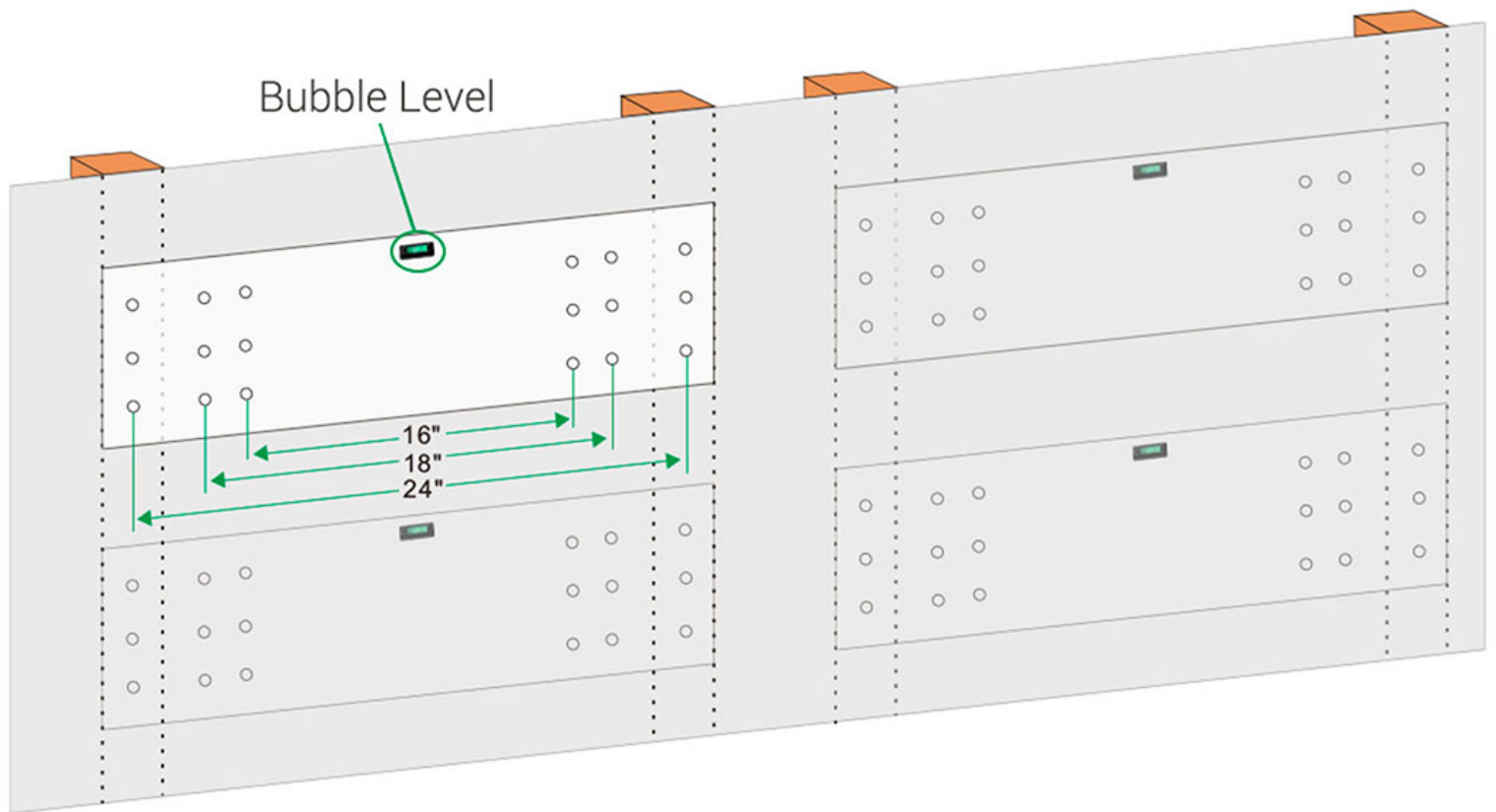


Concrete wall

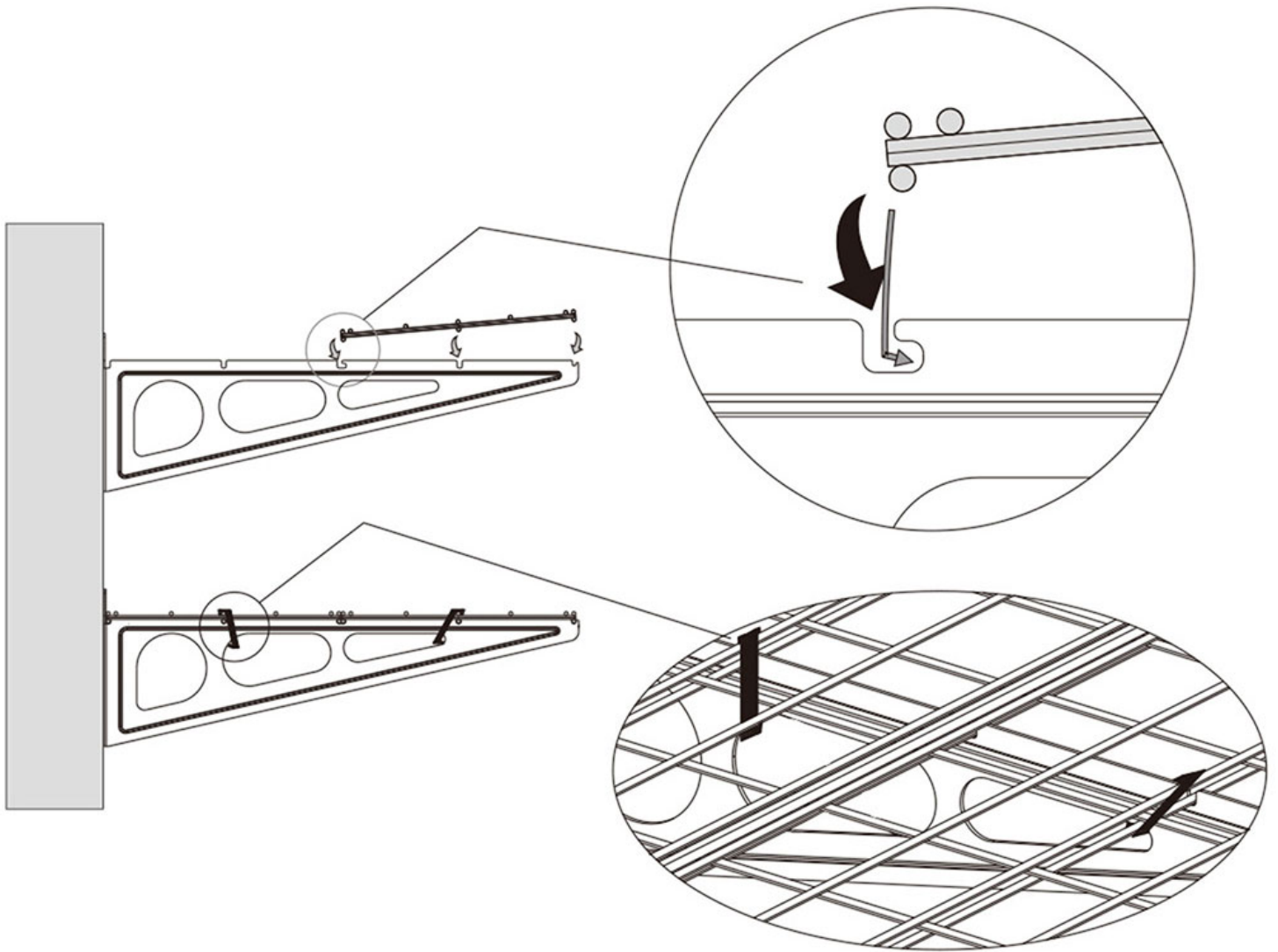


Wall studs

EXAMPLE OF TEMPLATE INCLUDED



SECURING THE RACK ON THE BRACKETS



DON'T OVERLOAD THE SHELVES

