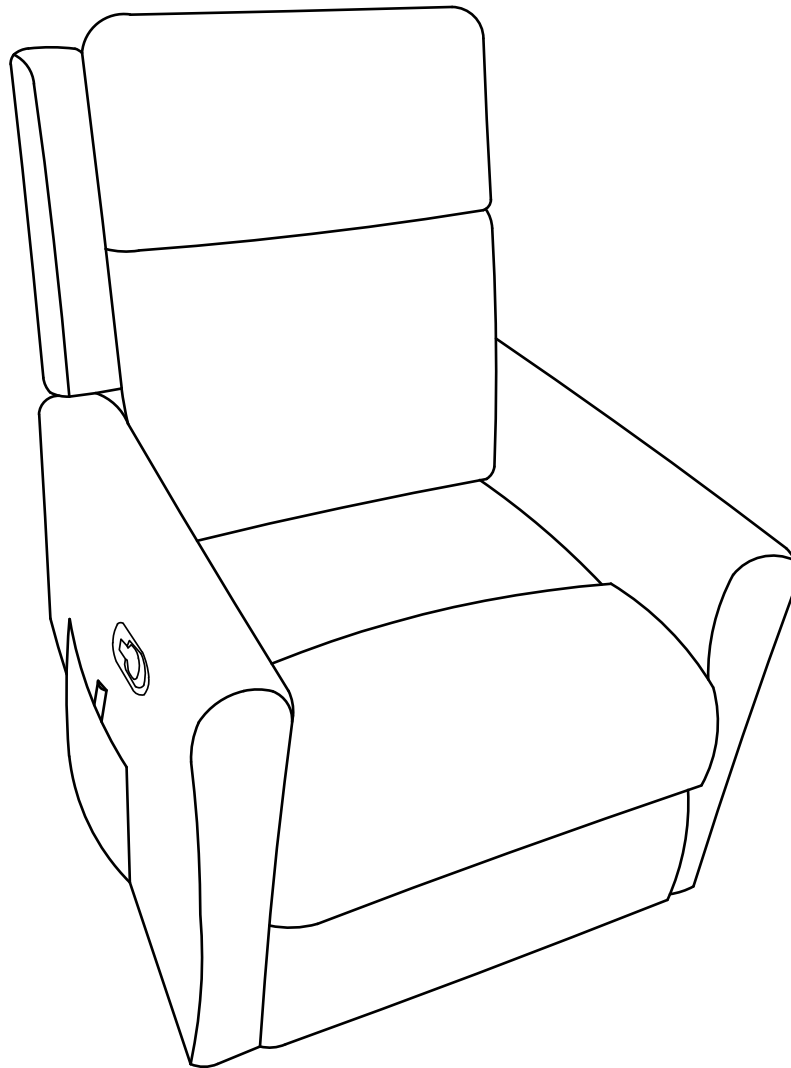


# Operation Instructions



PP195794  
Manual recliner&massage function

# ***MASSAGE CHAIR***

READ ALL INSTRUCTIONS  
BEFORE USING THE ITEM

## REMOTE CONTROL

Function of remote



## **MODE: D-610**

Prior to use, please firstly connect controller, and then connect the power plug. Touch the power switch lightly, the product starts working. When stopping using it, please firstly turn off the controller and then pull out the adapter plug from the outlet.

1. The specification of power adapter: input, AC110-240V, 50-60Hz; output, DC 12V, 2500mA.

2. The product is 3D Kneading massager. Pull through it, it is in standby state. Users can realize the function control through the hand controller.



3. “ ” “Power” key: soft on-off key. In the standby state, press the start key, the power indicator lamp LED is normally on, press it again, it enters the standby state.



4. “ ” “Time” key: the default preset time of the product is 10-20 minutes. After it is used for 10-20 minutes, the product will shut down automatically for protection.



5. “ ” “Heat” key: if users want the product to have the spontaneous heat, they can press heating switch key for heating.

### **I. Precautions for safety maintenance**

1. Precautions for safety maintenance are to prevent you and other users from being damaged or hurt and guarantee safety use. Users shall know this point.

2. Xiamen IDENO Electronics Technology Co., Ltd. (“IDENO”) shall not bear any compensation liabilities for the loss and damage caused to the user or the third party owing to improper use of product or accessories or any compensation liabilities for the loss and damage to the parts owing to intentional damage and (or) crash.

3. Prior to use, please read the Instructions carefully for operating correctly. After reading, the users shall keep it well for reference at any time.

4. Anyone during medical treatment can use the product after obtaining the instruction of the doctor to avoid the occurrence of accident or bad effect.

5. Children are forbidden to use or sit on the massage armchair for playing, or else it may cause accident or hurt.

6. If you use the accessories bought from the accessory market rather than that provided by IDENO to repair, replace the normal rapid wear components and/or manual control circuit parts, it may cause mismatching of manual control performance, and even failure of normal operation. IDENO shall not be responsible for it.

7. IDENO does its utmost to guarantee the accuracy of product operation manual. However, these printed files and texts may include incorrect technology or printing error, IDENO will not be responsible for the appropriateness of the information and text, or the error in these files and texts. We reserve the right of revising technical parameters of the Specification and installation figures.

8.If the massage armchair doesn't work or is observed to be abnormal, please stop using it immediately and contact the retailer.

9.If the users feel abnormal in use, please stop using it immediately;

10.Please use it in a dry and ventilated place without direct sunshine. For the human body fitness, the massage each time should be as better as for at most 30 minutes.

11.The moron and disable who cannot express their wills cannot use the massage armchair by themselves.

12.Please don't use the product when the power or power plug is damaged. Or else, it may cause electric shock or short circuit or even fire accident. In this case, please contact the retailer, agent or manufacturer for repairing and replacement;

13.Prior to use, please match the hand controller with power DC plug and then put through the power. After that, touch the power switch to start massaging. When stopping the machine, please firstly turn off the main power, and then pull out the power DC plug and at last pull out the hand controller plug.

14.Please don't use diluents such as ethyl alcohol and gasoline to clean the massage armchair.

## **II. Warnings**

1.If the product is idle for a long time, please cut off the power.

2.If the power line is damaged, please don't dismantle it by yourself. It must be replaced or repaired by our company or the retailer designated by our company.

3.When the leather sheath or cloth sheath is damaged, please replace it immediately and don't use it any more to avoid other damage.

4.Please don't immerse the controller in the water or impose heavy load on the controller to avoid the failure of hand controller.

5.People who suffer from varies diseases, feel ill or pregnant cannot use the product. The above agreement is applicable to all the IDENO products and IDENO enjoys the final power of interpretation.

## **HEALTH CAUTION**

- If you have any concerns regarding to your health, consult your doctor before using this product.
- Individuals with pacemakers should not use this product.
- If you have pain in a muscle or joint after using for a prolonged period of time, discontinue using and consult your doctor. Persist pain could be a symptom of a more serious condition.

## **MAINTAINANCE INSTRUCTIONS**

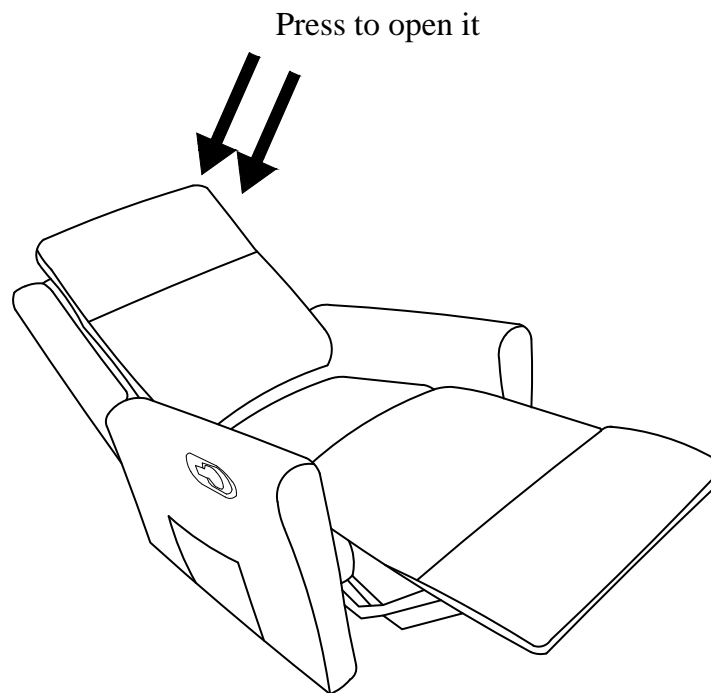
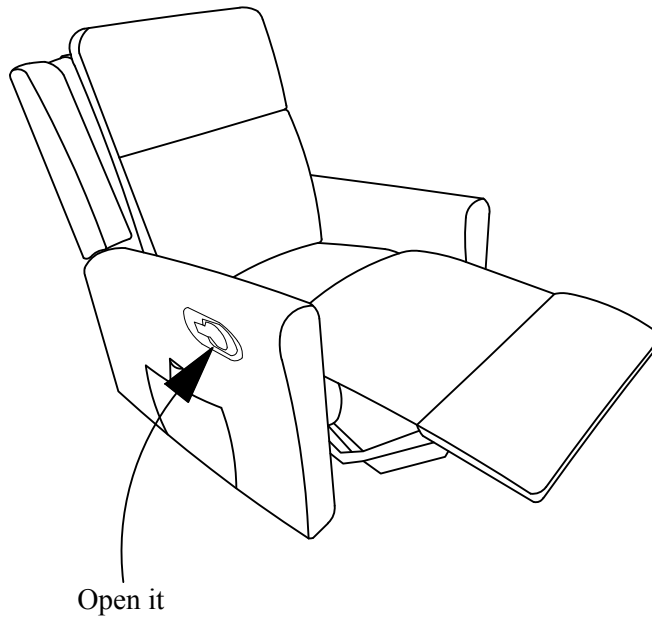
### **TO STORE:**

Place unit in its box or safety dry and cool place. Avoid putting chair in contact with sharp edges or pointed objects which might cut or puncture the fabric. Do not wrap attached power cord around the unit. **DO NOT** pull the unit by power cord.

### **TO CLEAN:**

- Ensure the unit is unplugged from the power source, and allow the unit to cool down before cleaning.
- Do not use any liquid to clean. Clean fabric cover by wiping with a damp sponge, using a mild detergent or suds. Pat with clean, dry cloth.
- Do not use any abrasive cleaners, brushes, gasoline, kerosene, glass furniture polish, paint thinner or water hotter than 120 °F to clean the unit.

## OPERATING INSTRUCTION



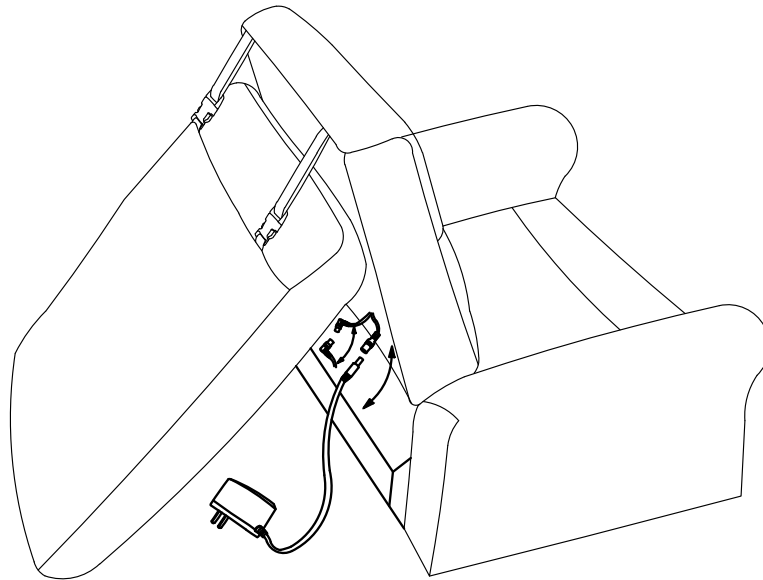
## TECHNICAL SPECIFICATIONS

Model:PP195794

Rated Voltage :100V-240V~

Rated Frequency :50Hz/60Hz

## Assembly Instructions



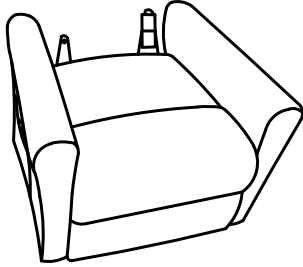
### General Assembly information Guide

Please read the following instructions prior to assembling this product:

1. To avoid damage, assemble this product on a non-abrasive surface such as carpet.
2. Make sure all bolts are tightly fastened before use.
3. For home use or light commercial use only.
4. Please make sure you have all parts before assembly.

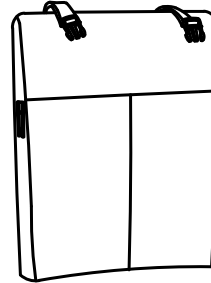
## Parts List

A



1 PCS

B



1 PCS

C



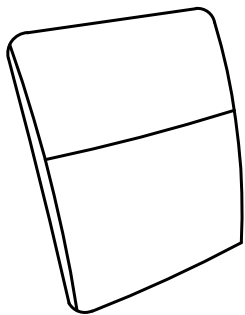
1 PCS

D



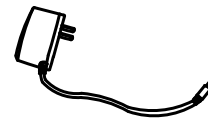
1 PCS

E



1 PCS

F

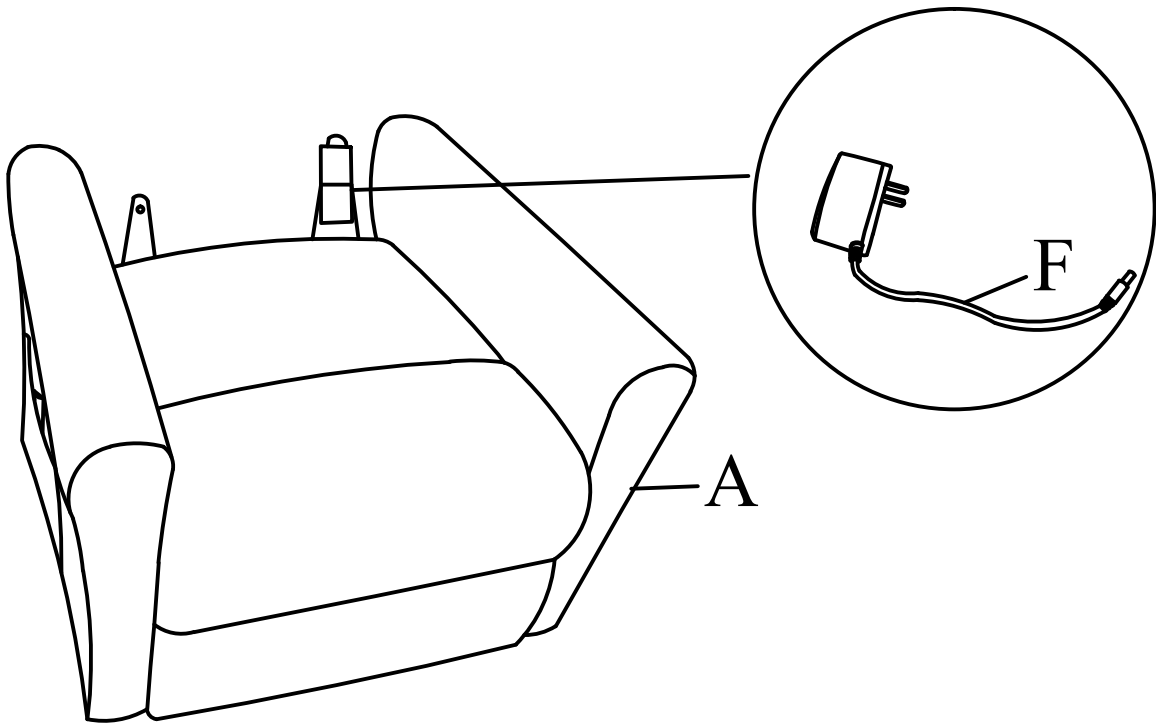


1 PCS



# Step 1

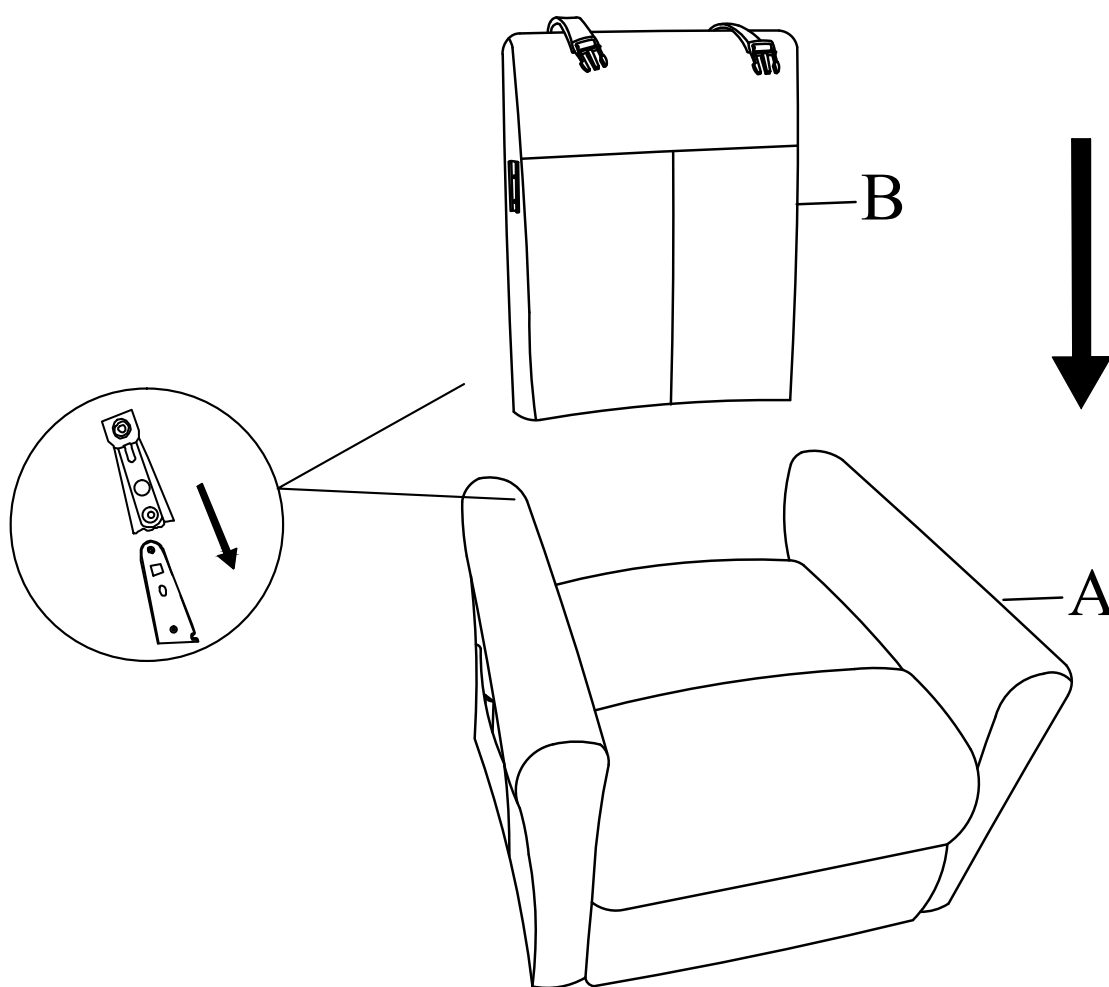
- ① Place the Seat (A) on a flat smooth surface.  
Take out the bag which holds a rectangle box.
- ② Take out the transformer F 1pc.



## Step 2

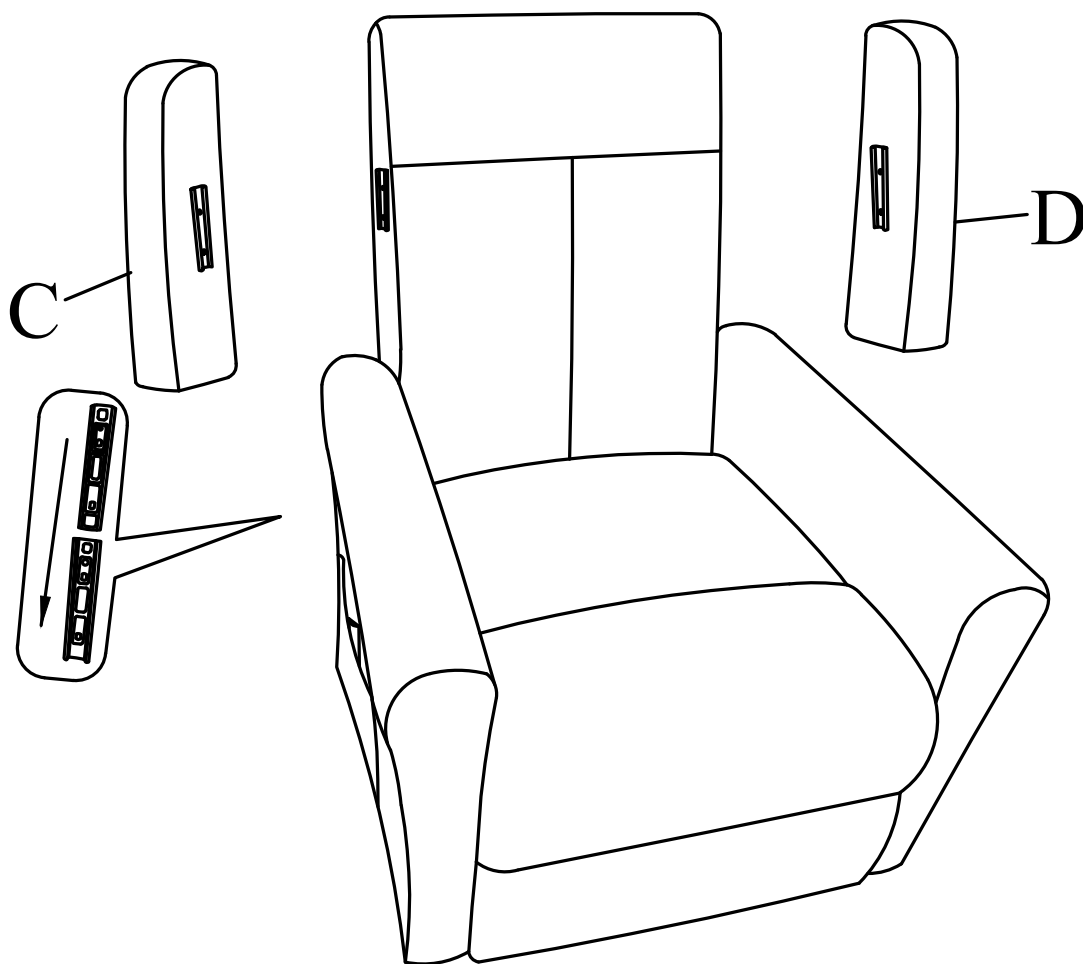
Attach backrest (B) to main frame (A) by aligning the metal grooves on backrest to brackets on the main frame as shown.

Ensure the backrest (B) slides down fully over the brackets on the main frame (A).



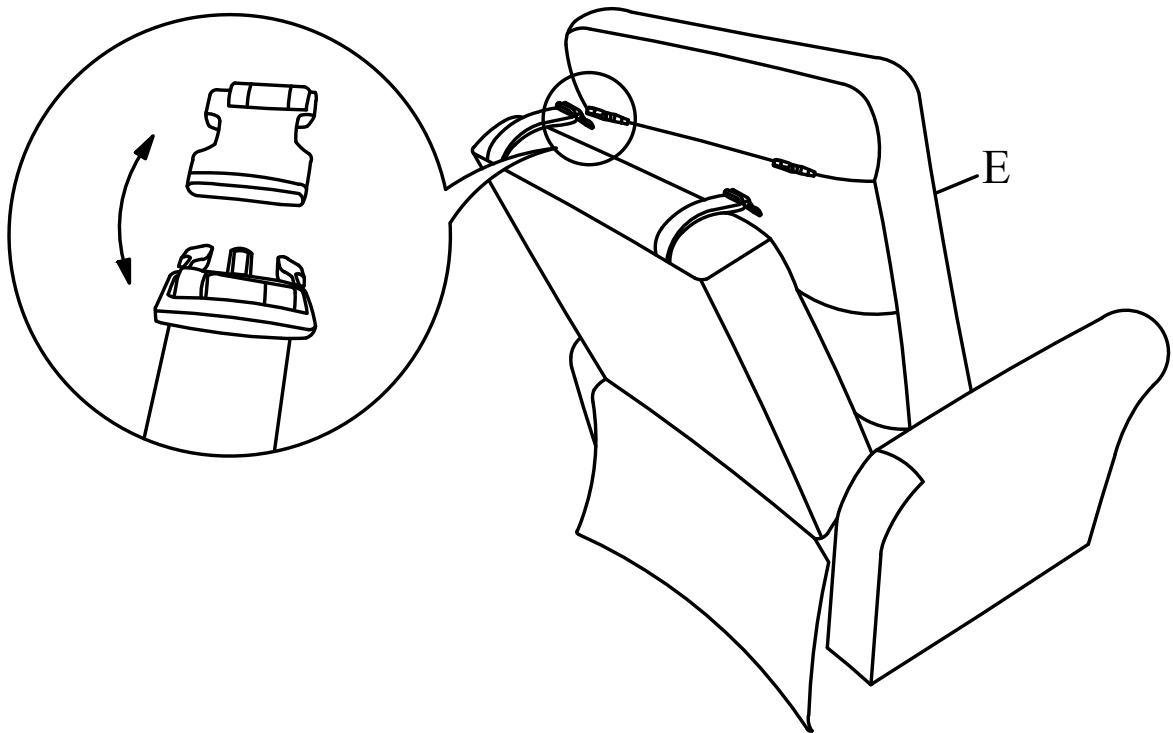
## Step 3

Align the female brackets at the back onto the male brackets at the seat, insert back rest to the seat then push to the end and make sure it is fixed in position securely.



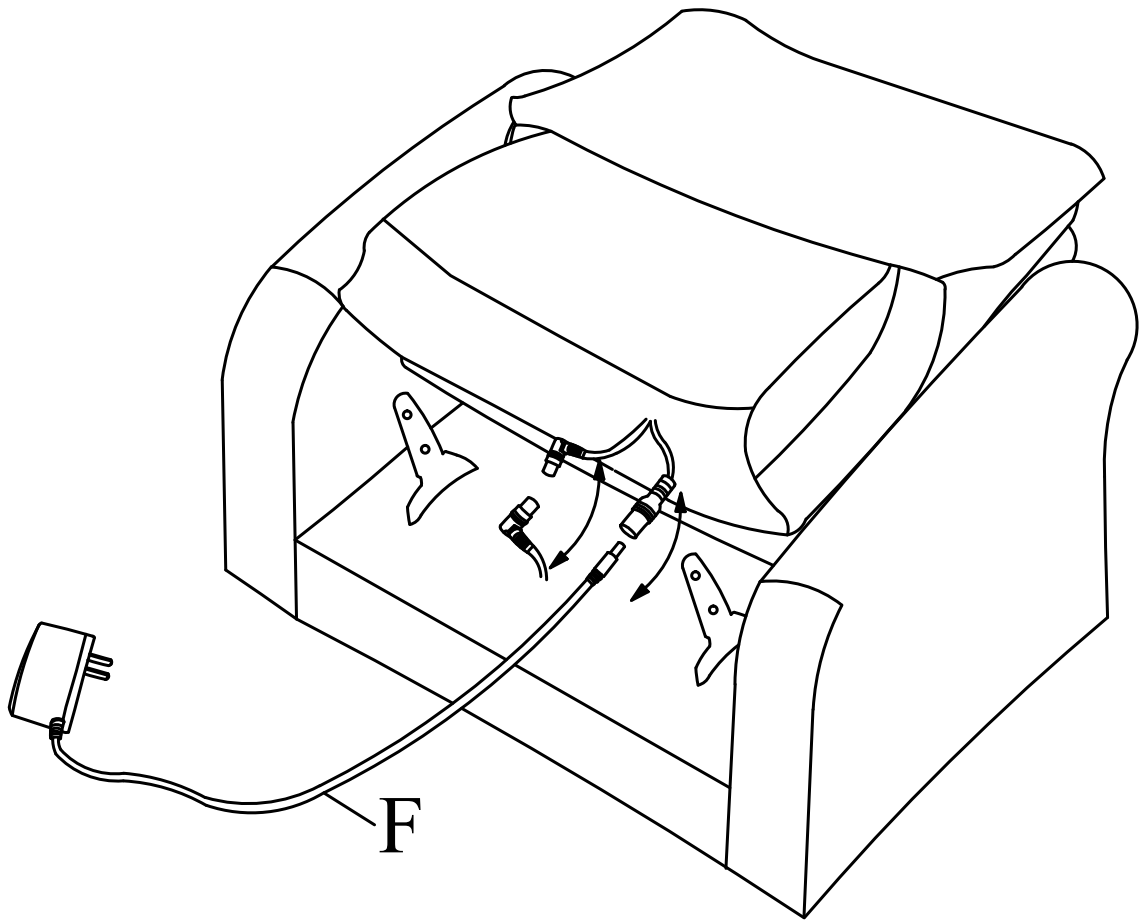
## Step 4

Please insert the backpack to the back rest and make sure it is secured in position.



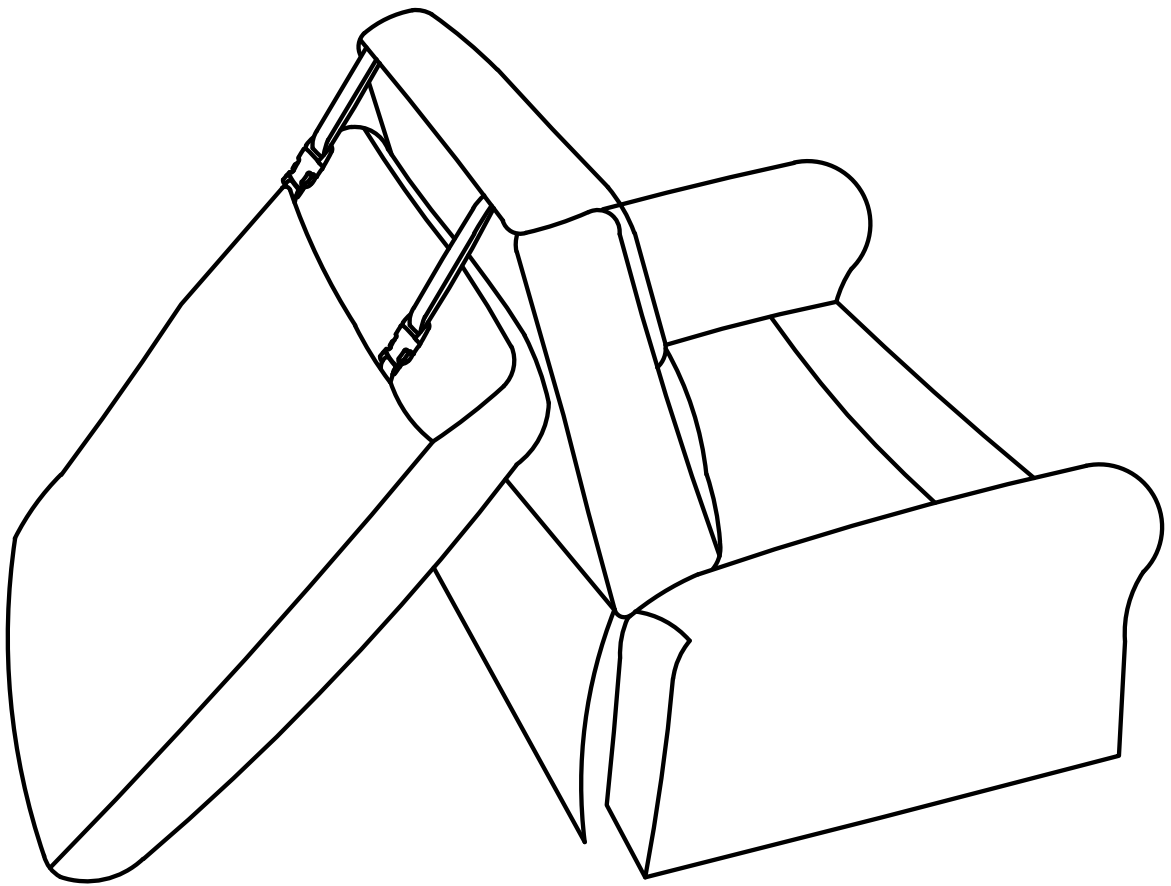
## Step 5

Attach the transformer (F) to the plug on the back of seat (A).



## Step 6

Please fold the cushion backrest over the back of the recliner for a more intensive massage.



## **Warnings**

- Sit down in the chair gently. To avoid tipping over, do not throw yourself into the chair. Move the chair into the reclining position slowly, making sure that no children or pets are in close proximity. Do not allow children to play on or around the chair, particularly when it is in an open position.
- Close the recliner completely before getting out of it.
- Never sit on the footrest when it is open, even if it is a child.
- To eliminate the risk of tipping over, do not sit on the arms or footrest of the chair.
- This chair is designed to be used by 1 adult at a time.
- Maximum weight capacity is 350LBS, Do not allow any person who over 350LBS to sit on the recliner.
- Please forbid people with the following ailments from using this sofa: Those people with severe symptoms of heart disease, high blood pressure, cerebral thrombosis and others who are sensitive to heat or completely insensitive to heat, those with brittle bones or have issues with waist support pregnant women, children and others where it has been determined they are not suitable to use this product under the guidance of doctors.
- To fully recline the sofa, ensure the sofa well, you need to put the sofa at least 19inch away from the wall or any other obstacle.
- Product cannot touch water, fire, etc. Product can also not come in contact with sharp objects (knives, nails, etc.)

## **Maintenance Manual Instructions**

- To avoid dropping, you should carry the sofa carefully.
- If you find dirt and or stains on the chair, spray the sofa with a sofa specific cleaner then use a sponge or cloth to wipe the dirt away. Do not use water, soapy water or cleaner with waxed wooden areas. Take care to wipe the sofa carefully and gently.
- Do not put the sofa in an area with direct sunlight and do not put the sofa directly in front of an air conditioner, this will fade the upholstery and make it brittle.

## How to Disassemble

Please find a strong tool to prod the small piece of metal grooves, then the backrest will be pulled out. The tool is not included.

