



Count on it.

Parts Catalog

1800 Power Curve® Snowthrower

Model No. 38381—Serial No. 311000001 and Up

Ordering Replacement Parts

To order replacement parts, please supply the part number, the quantity, and the description of each part desired.

Understanding Reference Numbers

Each identified part in an illustration has a reference number. The reference number for a part also appears in the parts list, along with other information about the part.

This catalog uses two special reference number formats, one to indicate parts in a service assembly and another to indicate the quantity of a given part in an illustration.

Service Assembly Reference Numbers

Parts in service assemblies have reference numbers in the form a:b. The a represents the reference number of the entire service assembly and the b represents a sequential number unique to each part within the service assembly.

For example, a wheel assembly might be identified by reference number 6, the tire by 6:1, the valve by 6:2, and the wheel by 6:3. When you order the assembly identified by reference number 6, you receive all parts identified by reference numbers 6:1, 6:2, and 6:3. However, you may also order any part individually. Reference numbers of this type appear in illustration and in parts lists.

Reference Numbers Indicating Quantity

In an illustration, if a reference number indicates more than one part, the reference number has the form nX y. The n represents the quantity of the part, the X is the multiplication symbol, and the y represents the reference number.

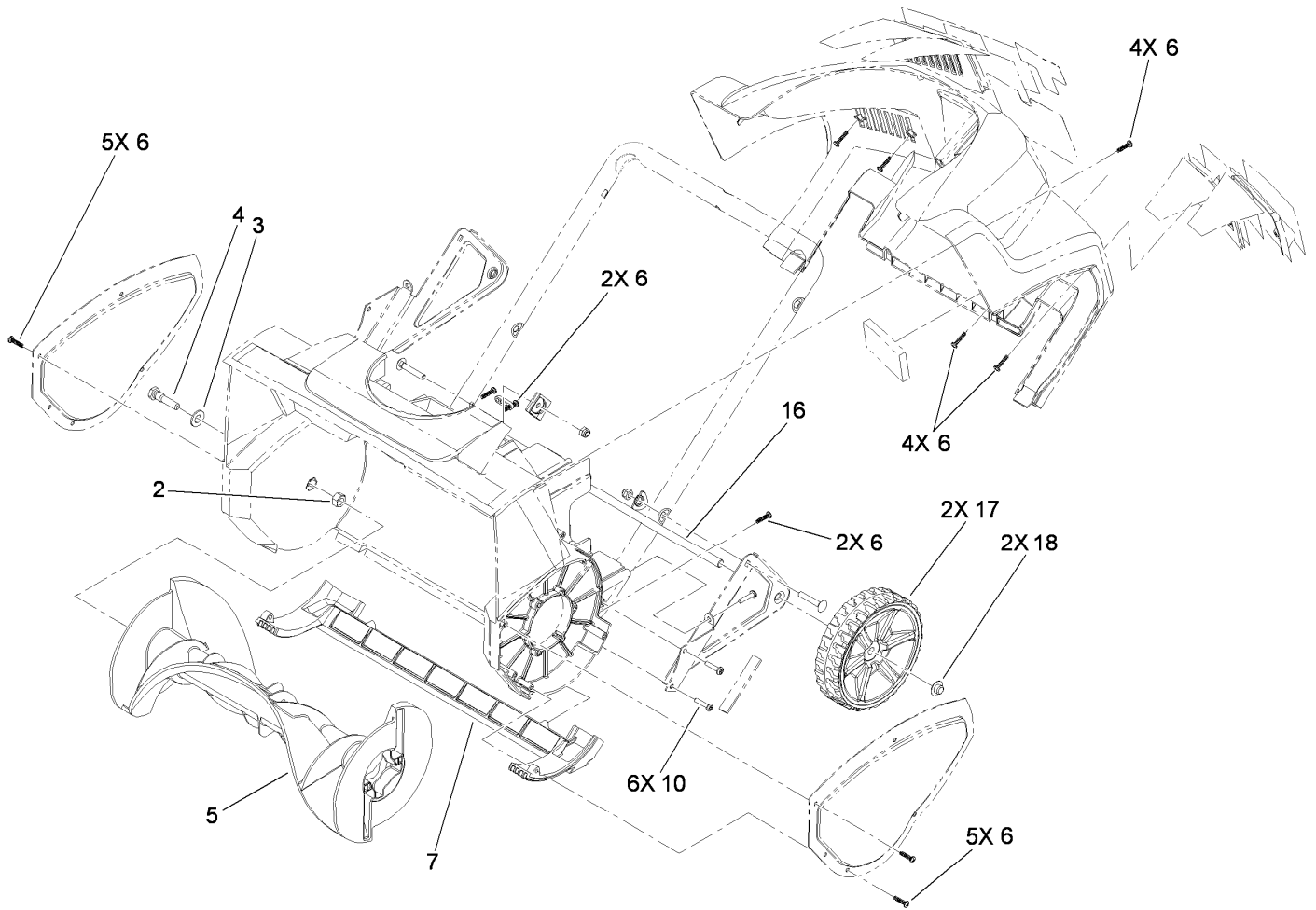
For example, in an illustration, the reference number 2X 37 means that two of the parts identified by reference number 37 are indicated.

List of Abbreviations

AR: as required	HSBH: hex socket button head	SFH: slotted fillister head
ASM: assembly	HSFH: hex socket flat head	SHH: slotted hex head
BBC: blade brake control	HSH: hex socket head	SHWH: slotted hex washer head
BHTF: button head thread forming	HWH: hex washer head	SPH: slotted pan head
CARR: carriage	HWHTF: hex washer head thread forming	SQH: square head
CCW: counter clockwise	HYD: hydraulic	SRH: slotted round head
CW: clockwise	LH: left hand	STD: standard
DEG: degrees	LP: Liquid Propane	TAP: self tapping
ECM: electronic control module	NI: nylon insert	TTH: torx truss head
EXT: external	NPTF: national pipe thread fine	
FH: flat head	PFH: phillips flat head	
GA: gauge	PPH: phillips pan head	
HD: heavy-duty	PPHTF: phillips pan head thread forming	
HF: hex flange	PRH: phillips round head	
HH: hex head	PTH: phillips truss head	
HHF: hex head flange	PTO: power-take-off	
HHFTF: hex head flange thread forming	RH: right hand	
HJ: hex jam	ROPS: roll-over protection system	
HLH: hex lag head	RRB: rear roller brush	
HOC: height-of-cut		

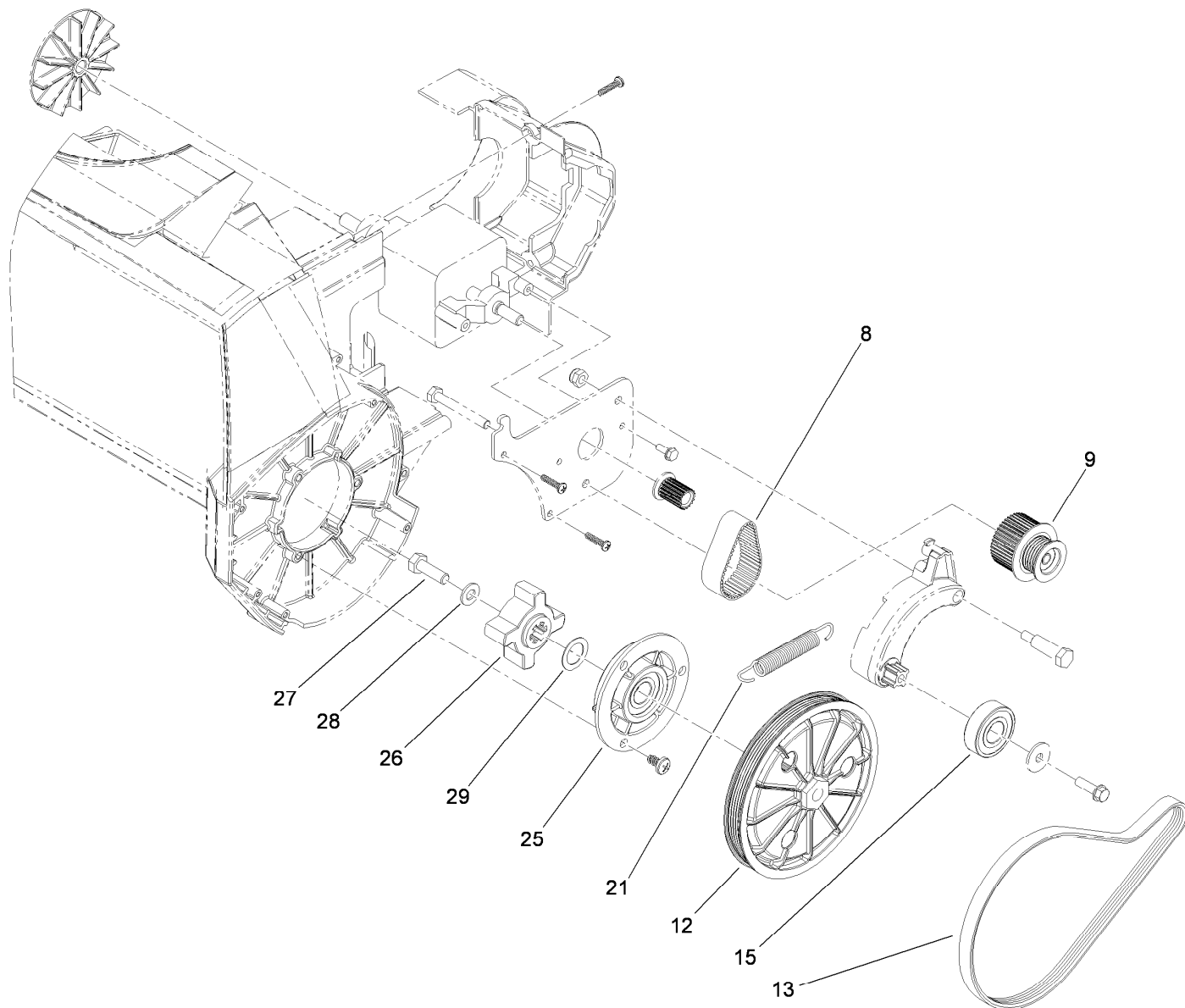
Contents

- Frame Assembly..... 4
- Drive Assembly..... 5
- Chute Assembly..... 6
- Handle Assembly..... 7



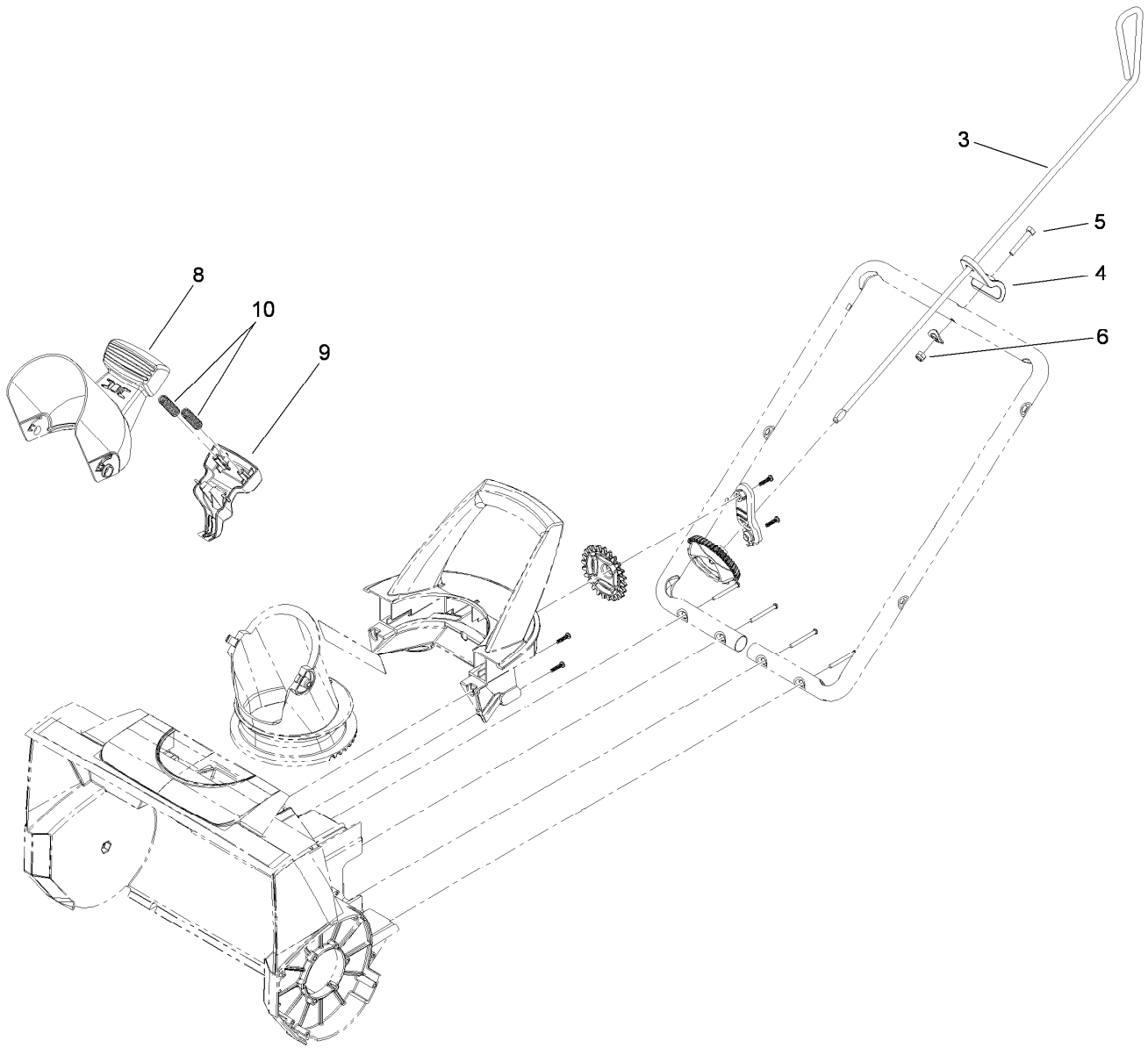
Frame Assembly

Ref.	Part Number	Qty.	Description
2	32153-11	1	Nut-Lock
3	3256-80	1	Washer-Flat
4	38-8211	1	Pin-Rotor
5	117-8775	1	Rotor ASM
6	94-4496	22	Screw-PPH
7	117-2840	1	Scraper
10	32144-36	6	Screw-PPH
16	114-9208-03	1	Axle-Wheel
17	117-2306	2	Wheel ASM
18	3290-320	2	Retainer-Push On



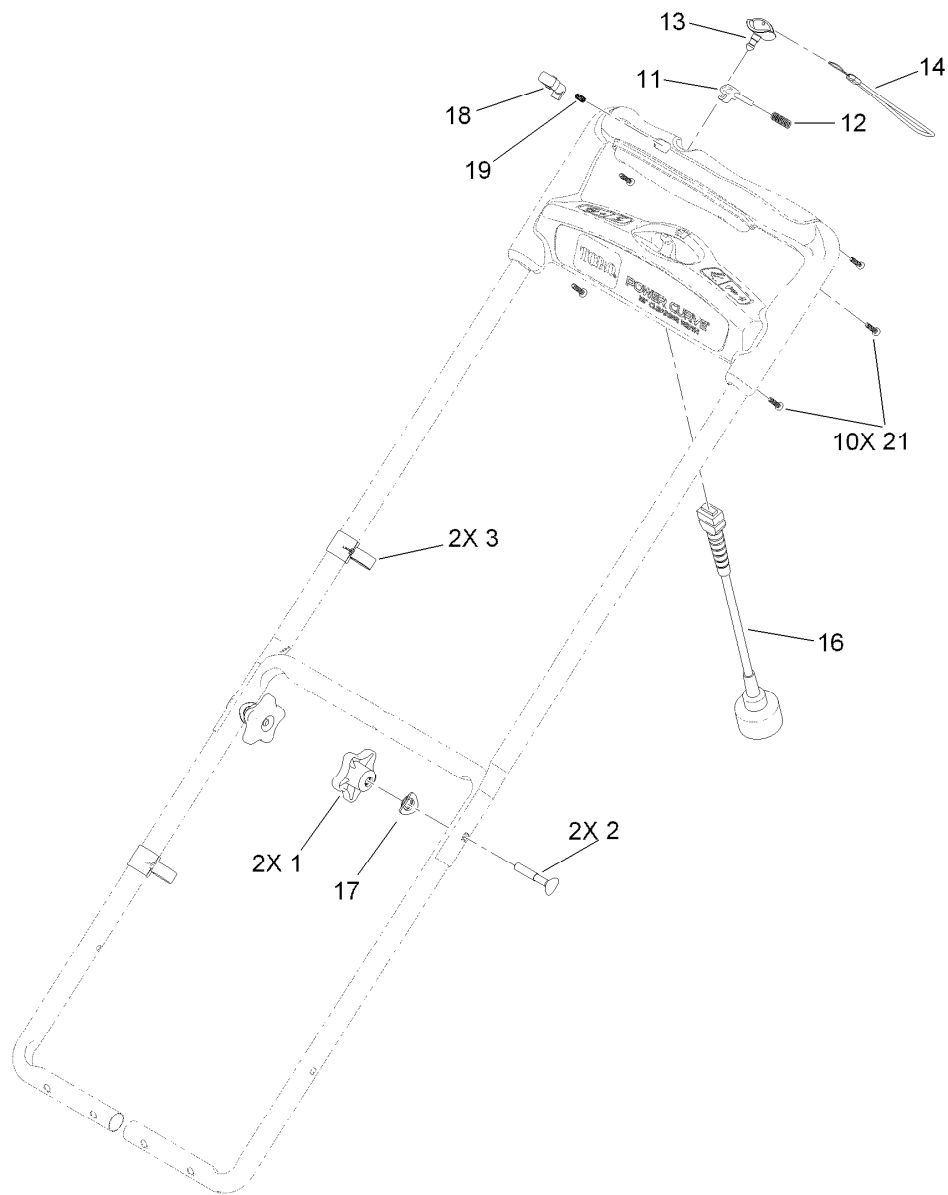
Drive Assembly

<i>Ref.</i>	<i>Part Number</i>	<i>Qty.</i>	<i>Description</i>
8	73-0160	1	Belt-Pulley, Idler/Driver
9	117-8770	1	Idler Pulley ASM
12	117-8763	1	Pulley ASM
13	115-1192	1	Belt-Drive
15	117-8783	1	Bearing-Ball
21	117-2804	1	Spring-Idler
25	117-2887	1	Pillow Block ASM
26	117-8762	1	Coupler-Pulley
27	117-2888	1	Screw-HH
28	27-9560	1	Spacer
29	7-4650	1	Washer



Chute Assembly

Ref.	Part Number	Qty.	Description
3	114-9240-03	1	Rod-Control, Chute
4	114-9241	1	Guide-Rod, Chute
5	321-51	1	Screw-HH
6	3296-73	1	Nut-Lock, NI
8	114-9038	1	Chute Deflector ASM
9	117-2314	1	Trigger-Deflector
10	110-9360	2	Spring-Compression



Handle Assembly

Ref.	Part Number	Qty.	Description
1	117-5976	2	Knob-Handle, Locking
2	112-8876	2	Screw-Handle
3	114-7988	2	Guide-Cable
11	117-8754	1	Lockout-Bar, Control
12	117-8753	1	Spring-Lockout
13	117-8751	1	Key
14	117-2878	1	Cord-Key
16	117-8752	1	Wire ASM
17	107-3844	2	Washer
18	114-9029	1	Button-Safety
19	106-9778	1	Spring-Compression, Safety
21	114-9041	10	Screw



Count on it.