

**USER'S MANUAL**

**Vacuum Cleaner**

**GX10006US**

## 1. Important Safeguards

**IMPORTANT: READ ALL INSTRUCTIONS BEFORE USE.**

**RETAIN INSTRUCTIONS FOR FUTURE REFERENCE.**

1.1 This appliance has been designed for domestic dry vacuum cleaning only. Do not pick up liquids or use on wet surfaces for fear of damage to the appliance.

1.2 Never immerse the charger or unit in water to avoid danger.

1.3 Keep the appliance and accessories away from hot surfaces like hot gas or microwave-oven.

1.4 Do not block the appliance opening or hinder air flow so as not to affect its heat dissipation effect.

1.5 Do not pick up anything that is flammable, burning or smoking, like cigarette end, matchstick or ashes with waste heat.

1.6 The charger has been designed for a special voltage. Always check that the mains voltage is the same as that stated on the rating plate.

1.7 Do not use the appliance if the charger or power cord shows any signs of damage or aging.

1.8 Only use batteries and chargers supplied by manufacture. Never use any of them provided by other company.

1.9 Ensure the appliance is power off before cleaning, or may cause accidental electric shock.

1.10 Repairs should be carried out by a service agent in accordance with relevant safety regulations if battery can not be charged normally; The battery can not be removed for other purposes.

/1.11 The battery pack should be carefully and safely disposed of in accordance with local regulations; Never dispose in the fire or water as this may increase the risk of explosion or contamination.

1.12 The appliance only can be used by children or persons with reduced physical capabilities if they have been given supervision or instruction concerning use of the appliance in a safe way and understand the hazards involved.

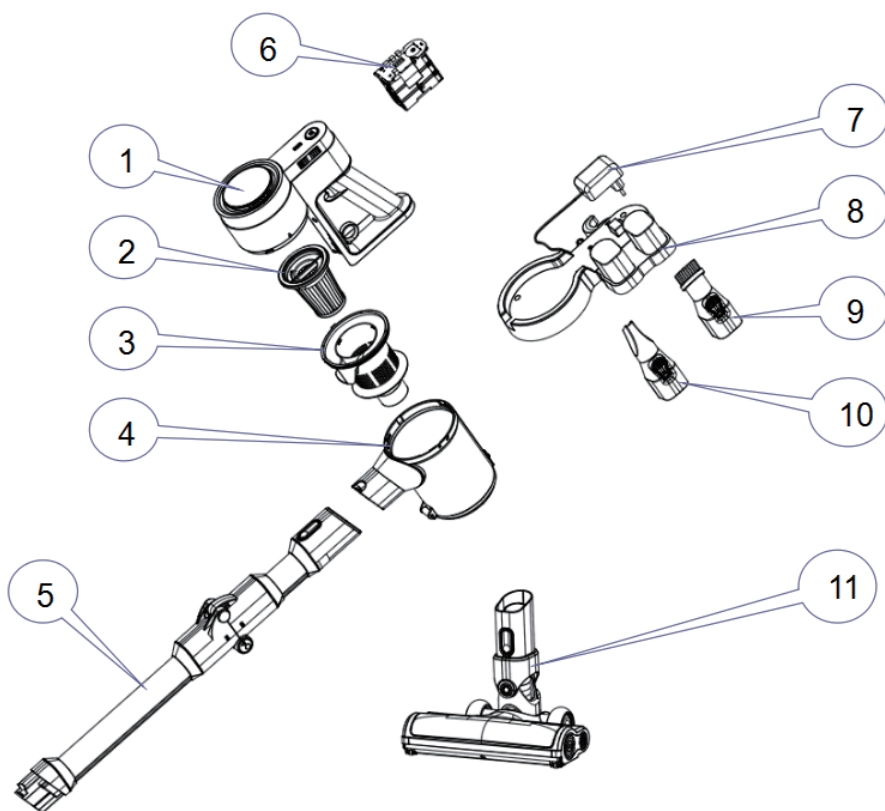
1.13 Misuse or use of any accessory or attachment other than manufacture's recommended, may present a risk of personal injury.

1.14 Do not use the appliance for other purposes.

1.15 Do not use the appliance outdoors.

## For Household Use Only

### 2. Product Display



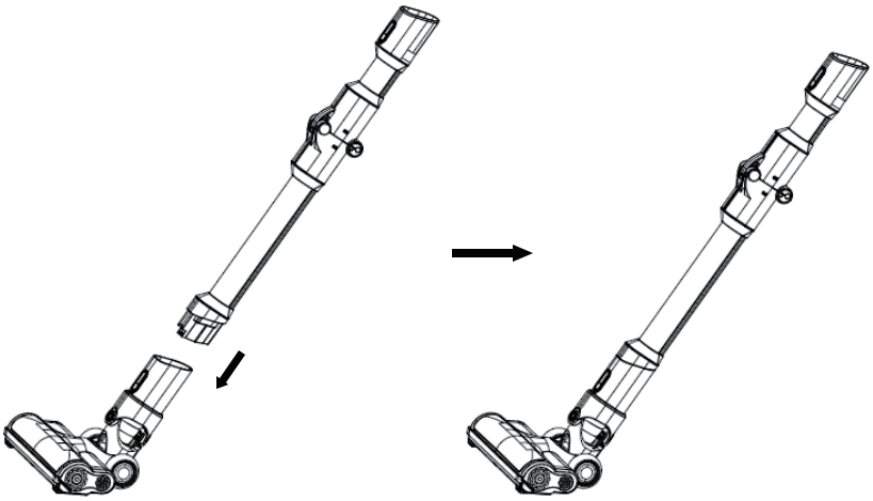
1	Main Unit	7	Charger
2	HEPA Filter	8	Charger Stand
3	Filter Screen Cover	9	Small Brush
4	Dust Cup	10	Flat Crevice Nozzle
5	Flodable Tube	11	Carpet Brush
6	Battery Pack		

### **3.Product Assembly**

For the convenience of transportation and storage, main unit, carpet brush, flodable tube, charger stand, small brush, flat crevice nozzle are packaged separately. Please follow the steps below for assembling when using the product for the first time.

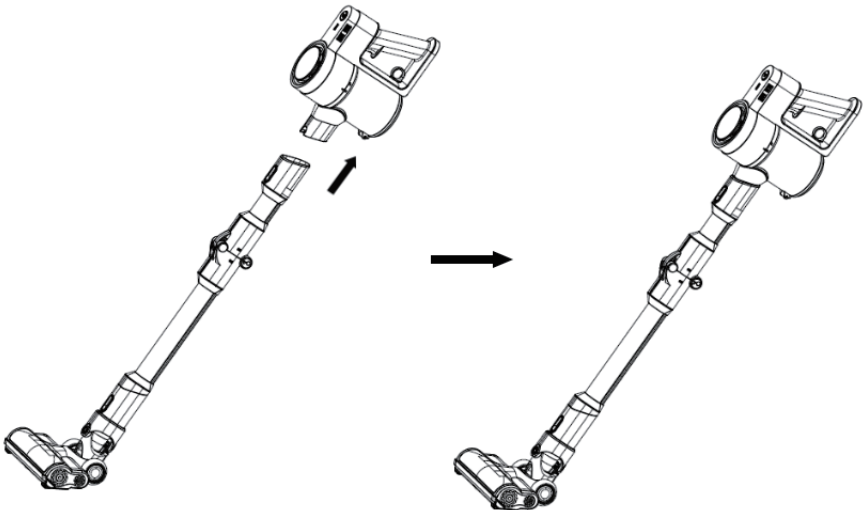
#### **flodable tube and carpet brush assembly**

To install the carpet brush into the flodable tube, align both of them to make sure the tab on the carpet brush matches the guides on the tube, and insert one into the other until they are firmly fixed. To disassemble them, press the carpet brush connector release button and pull from the flodable tube while you hold the carpet brush.



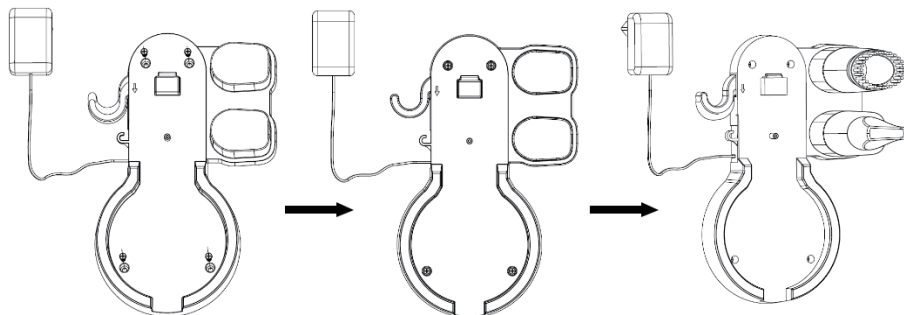
### **flodable tube and main unit assembly**

When the flodable tube and the carpet brush are assembled, introduce the top end of the flodable tube into the main unit until it clicks into place.



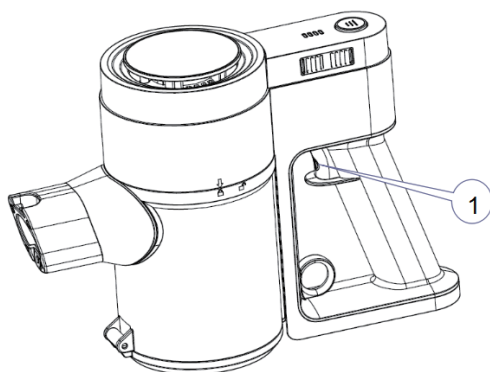
## Charger stand assembly

Place the charger stand on the selected wall area. And then mount the charger stand to the wall with 4 pieces of M4\*20 taper screws. The small brush and flat crevice nozzle can also be hung onto the charger stand when not in use.

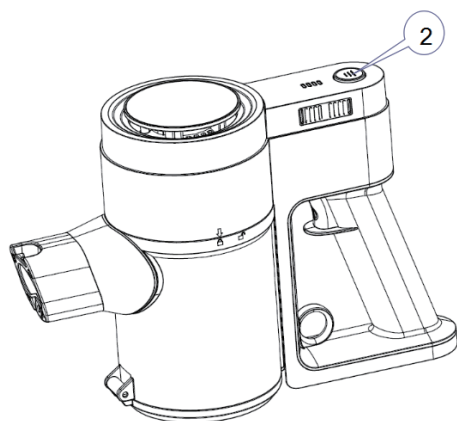


## Handstick Vacuum Cleaner

1. Press the On/off button to turn the device on.

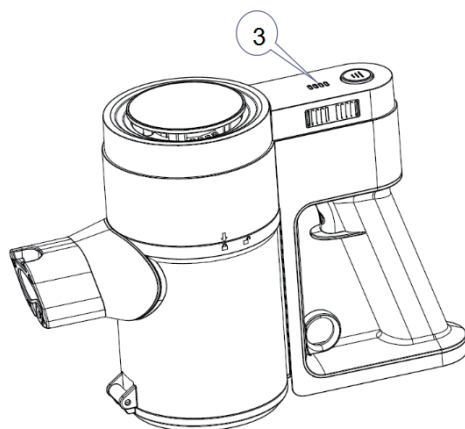


2. Press the power push button to select the desired power level: low or high. It will automatically operate in high power mode. The power level can be adjusted at any moment by pressing this button.

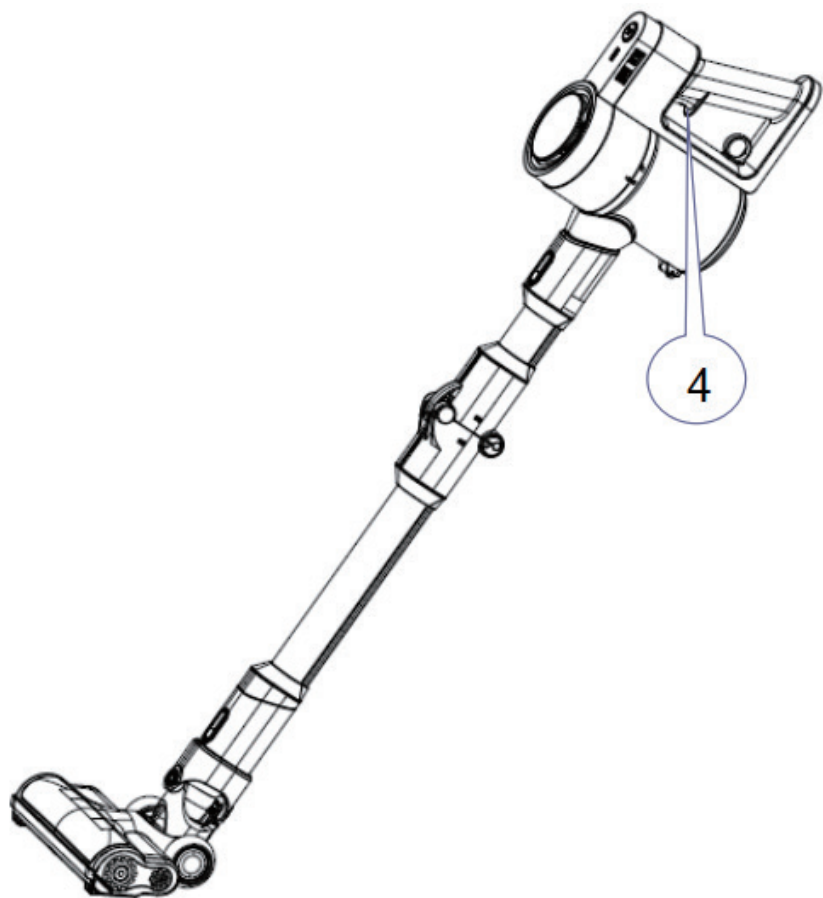


**Note**

- 1. When battery is fully charged, the battery indicator will light up.
- 2. When battery is low, the battery indicator will flash.



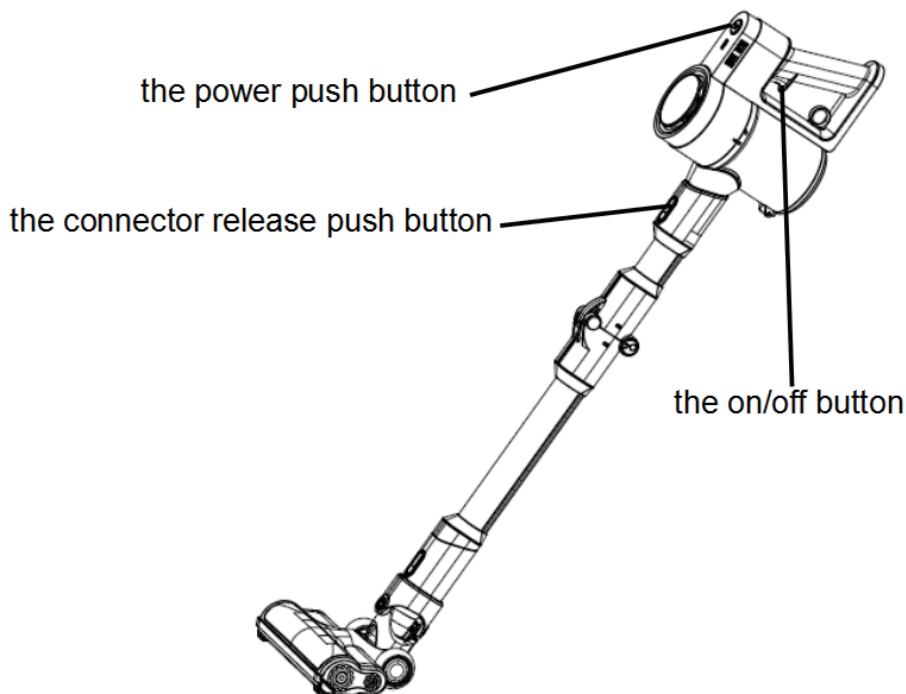
3. Press the On/off button again to turn the device off.





## Handheld Vacuum Cleaner

Once the main unit has been disassembled from the foldable tube, the device can be used handheld.



1. Press the connector release button to disassemble the foldable tube from the main unit.
2. Press the On/off button to turn the device on.
3. Press the power push button to select the desired power level. It will automatically operate in high power mode. The power level can be adjusted at any moment by pressing this button.
4. Press the On/off button again to turn the device off.

## Accessories

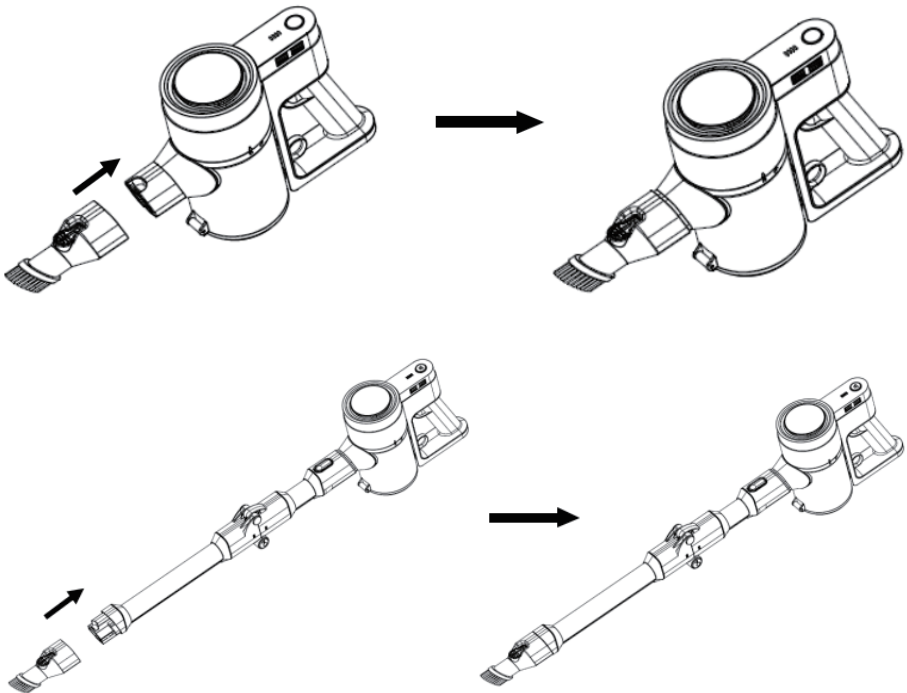
The device includes different accessories that allow cleaning different types of surfaces, objects and dirt. Some of them are suitable for the handstick vacuum cleaner and others are preferably used with the handheld one.

### Carpet Brush

Assemble this brush to the handstick vacuum cleaner. This brush can be used to clean carpet. And this brush can be used on both handheld part and overall unit.

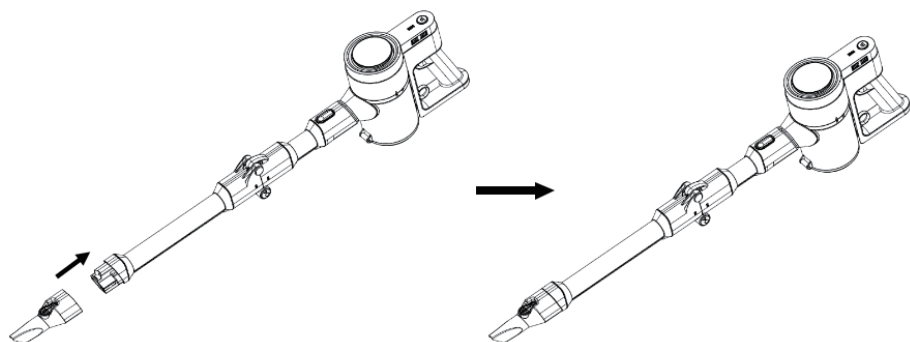
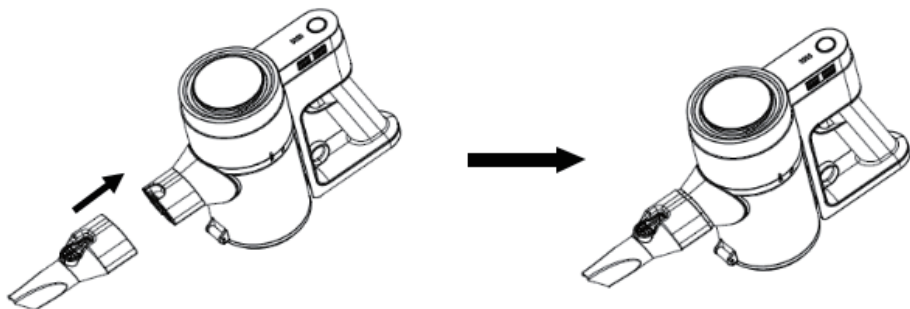
### Small Brush For Furniture

This accessory is used with the handheld or handstick vacuum cleaner and allows cleaning furniture without damaging it and reaching less accessible dirt in corners.



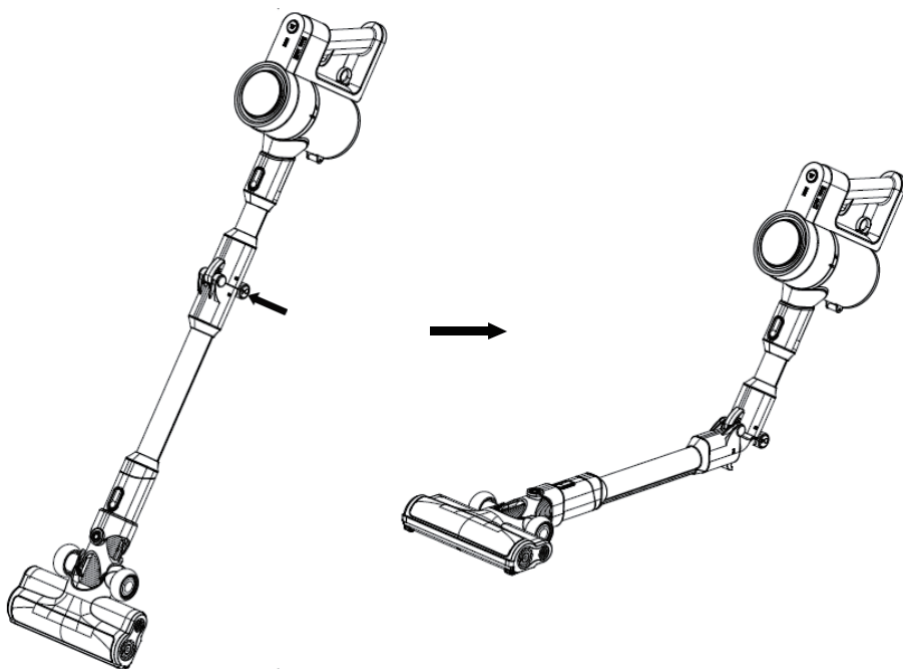
## Accessory For Corners

This accessory has been specifically designed for cleaning corners, crevices, floor base, ledges etc.



## Foldable Tube

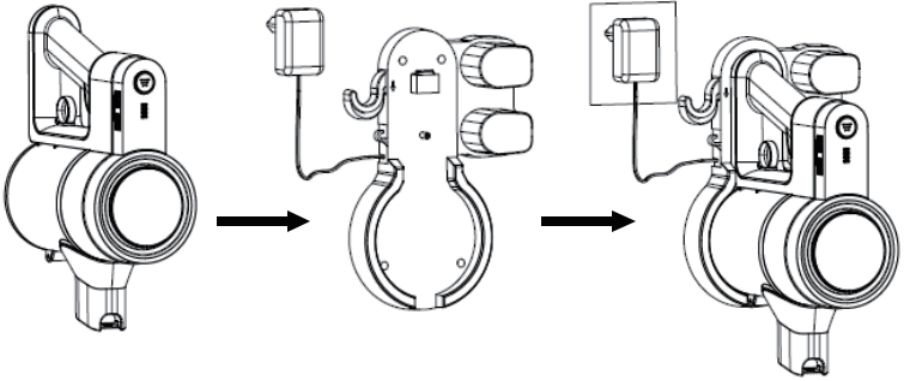
Press the release key to bend the aluminum tube.



## 4. Battery Charging

It is important to charge it when the battery is low. While charging, the battery indicator will flash blue. The charging time is 3.5-5.5 hours approx.

1. When hung from the wall bracket, connect the cord to the power supply and allow the device to charge.
2. Disconnect it from the charger when the battery indicator is lit up in green.

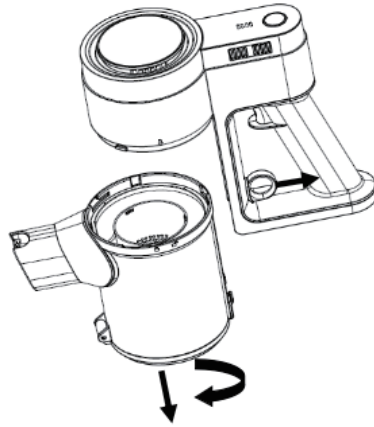


## 5. Cleaning & Maintenance

1. Do not use abrasive scouring pads, powders or cleaners to clean the product.
2. Use a soft, damp and clean cloth to clean the product's outer housing.
3. Do not let water enter into the vacuum cleaner.
4. Keep the appliance in a cool, dry place and out of reach from children.
5. Do not immerse the device in water and do not clean any of its parts in the dishwasher.

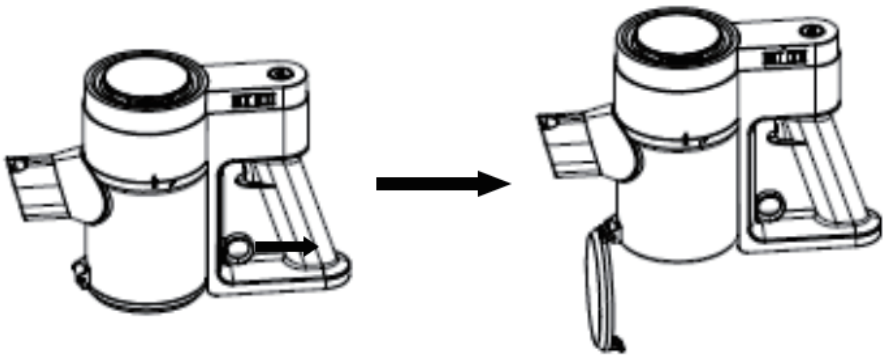
### Dust Cup

1. To empty the dust cup, first disassemble the main unit from the rest of the unit. To do so, pull the dust cup release button in the direction as shown below and separate the dust cup from the main unit.



Open the cover and empty it. If necessary, shake it gently to remove all the dust. To clean it, use water or soap if necessary to remove dust.

2. The one touch easy-clean dust cup of the vacuum cleaner is fast, convenient and hygienic. (dust disposal: Hold the vacuum cleaner above a dust bin. Pull the dust release ring with a finger so that the dust cup cover pivots down and the dust inside the dust cup will fall out into the dust bin.)



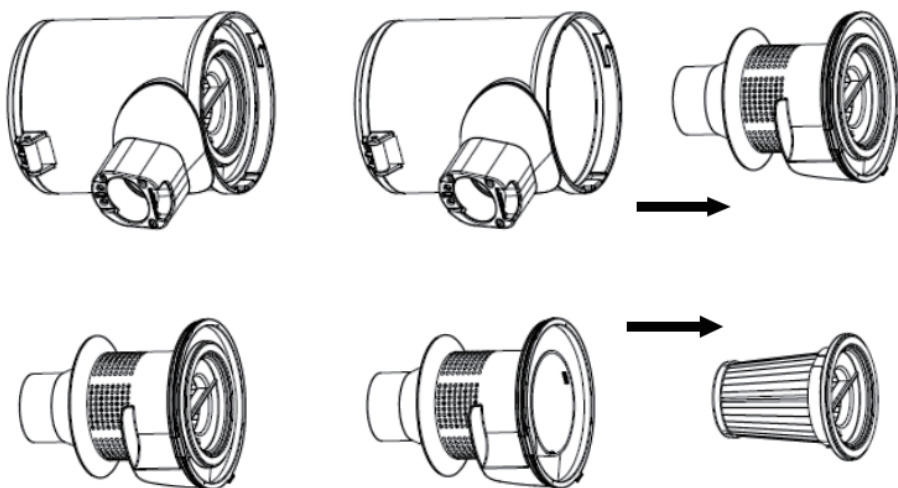
**Recommendation:** It is suggested to clean the dust cup after each use.

### Filters

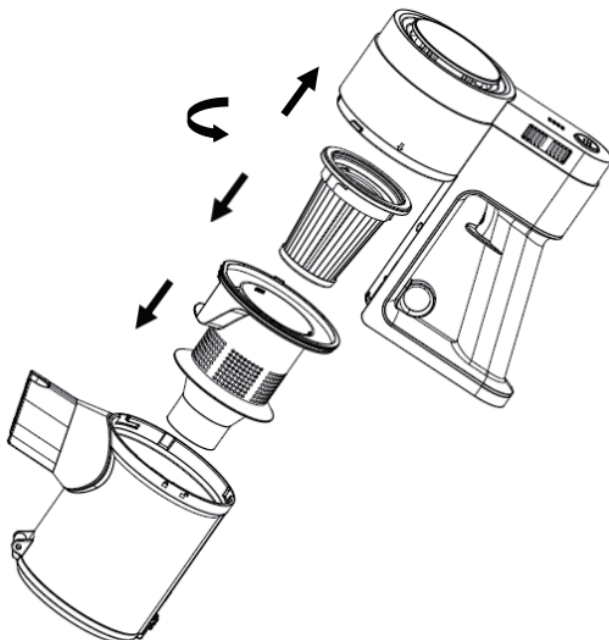
It is suggested to clean the filters regularly to ensure maximum efficiency. They can be cleaned with warm water. Dry them thoroughly before installing them back in the device.

#### To take filters out:

1. Open the dust cup following the instructions on the before section.
2. Pull from the tab located on the top of the handheld vacuum cleaner and remove the HEPA filter.
3. Wash all of them with warm water.
4. Allow them to dry completely before installing and using them again.



5.Reassemble all the components back in their place.

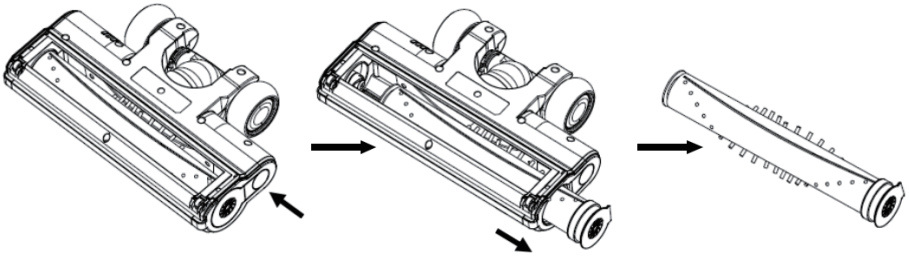


### **Carpet Brush**

**Recommendation:** It is important to clean the brush regularly to avoid hair and other foreign objects from tangling and to prevent blockages.

- 1.Press the brush release button on the bottom part of the suction base and remove the brush.
- 2.Wash it with lukewarm water,do not use detergents or soap.
- 3.Make sure it is completely dry before installing it back to the device.
- 4.To remove tangles hair, use a razor to cut the hair then pull it off, and re-insert the groove back into the carpet brush.

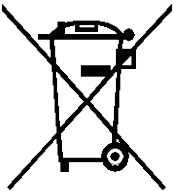




## 6. Technical Specification

Product Model	GX10006US
Working Voltage	DC 21.6V
Rated Power	110W
Battery Charger Model	JOD-S-270050A1 /HCX1501-2700500U
Battery Charger Input	100-240V/50/60Hz
Battery Charger Output	27V/500mA
Electrical Brush Rated Power	15W
Charging Period	3.5—5.5 h

## ENVIRONMENT-FRIENDLY DISPOSAL



You can help protect the environment!  
Please remember to respect the local regulations:

Hand in the non-working electrical equipment to an appropriate waste disposal centre.





**With your inspiring rating, COSTWAY will be more consistent to offer you EASY SHOPPING EXPERIENCE, GOOD PRODUCTS and EFFICIENT SERVICE!**

**Mit Ihrer inspirierenden Bewertung wird COSTWAY konsistenter sein, um Ihnen EIN SCHÖNES EINKAUFSERLEBNIS, GUTE PRODUKTE und EFFIZIENTEN SERVICE zu bieten!**

**Avec votre évaluation inspirante, COSTWAY continuera à fournir une EXPÉRIENCE D'ACHAT PRATIQUE, des PRODUITS DE QUALITÉ et un SERVICE EFFICACE !**

**Con su calificación inspiradora, COSTWAY será más consistente para ofrecerle EXPERIENCIA DE COMPRA FÁCIL, BUENOS PRODUCTOS y SERVICIO EFICIENTE.**

**Con la tua valutazione incoraggiante, COSTWAY sarà più coerente per offrirti ESPERIENZA DI ACQUISTO FACILE, BUONI PRODOTTI e SERVIZIO EFFICIENTE!**

**Dzięki twojej opinii COSTWAY będzie mógł oferować jeszcze WYGODNIEJSZE ZAKUPY, LEPSZE PRODUKTY i SPRAWNIEJSZĄ OBSŁUGĘ KLIENTA.**

**US office: Fontana**

**UK office: Ipswich**

**DE office: FDS GmbH, Neuer Höltigbaum 36, 22143 Hamburg, Deutschland**

**FR office : 26 RUE DU VERTUQUET, 59960 NEUVILLE EN FERRAIN, FRANCE**

