

## PRODUCT SPECIFICATIONS

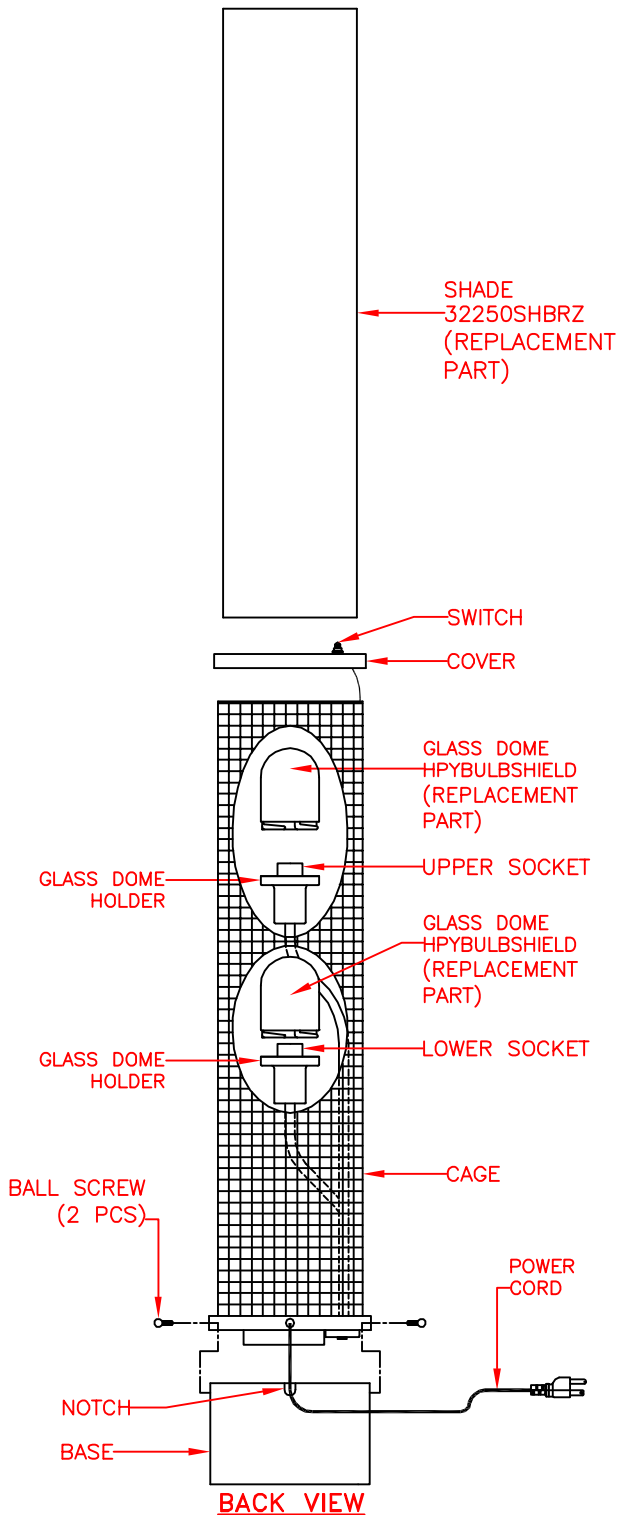
- OVERALL ASSEMBLED DIMENSIONS**  
HEIGHT: 129.5 CM (51"), WIDTH: 28 CM (11") SQ.
- 2 LIGHTS:** UL APPROVED FOR WET LOCATION, 100 WATT, MEDIUM BASE E-26 CERAMIC SOCKETS. 4-WAY PUSH BUTTON SWITCH.
- COVER:** PAINTED STEEL IN BLACK FINISH, 26.8 CM (10-9/16") SQ. x 2.5 CM (1") HEIGHT,
- SHADE:** CREAM SHADE, 23.5 CM (9-1/4") SQ. x 108.5 CM (42-11/16") HEIGHT.
- CAGE:** PLASTIC RATTAN IN BLACK FINISH, 25.5 CM (10") SQ. x 108.8 CM (42-13/16") HEIGHT, SHAPED AS SHOWN.
- GLASS DOME:** CLEAR GLASS, 10.3 CM (4") DIA. x 14.3 CM (5-5/8") HEIGHT, SHAPED AS SHOWN.
- GLASS DOME HOLDER:** PAINTED STEEL IN WHITE FINISH, 10.2 CM (4") DIA. MAX. x 8.3 CM (3-1/4") HEIGHT, SHAPED AS SHOWN.
- BASE:** PAINTED STEEL IN BLACK FINISH, 28 CM (11") SQ. x 17.8 CM (7") HEIGHT, FELT PAD INSTALLED ON BOTTOM OF BASE.
- CORD:** UL APPROVED FOR WET LOCATION, MIN 305 CM (10 FT.) LENGTH, 18 AWG., 3 CONDUCTORS, 105°C, TYPE JIT-W, WATER PROOF. BLACK COLOR. WIRES MUST BE LEAD FREE.
- LABELS:** UL AND CSA OR CUL, MANUFACTURING DATE, MODEL # AND COUNTRY OF ORIGIN LABEL PROVIDED. RELAMPING LABEL FOR 100 WATT MAX. TYPE "A" BULB PROVIDED ON SOCKET.

### PACKAGING AND SHIPPING DETAILS

- THE LAMP IS ASSEMBLED FOR SHIPPING. THE WHOLE LAMP IS CAREFULLY WRAPPED IN A PLASTIC BAG AND PLACED SECURELY IN THE INNER PACKING SO IT CAN NOT MOVE AROUND DURING SHIPPING. A SMALL BAG OF SILICA IS INCLUDED IN THE PACKAGE.
- THE CARTON IS MADE OF DOUBLE WALL, CORRUGATED CARDBOARD "A MA A". BROWN IN COLOR. THE INNER PACKING IS DIE-CUT CARDBOARD OR STYROFOAM TO PROTECT AND SECURE THE LAMP AND MUST PASS THE FEDEX AND ISTA-3A DROP TEST REQUIREMENTS.
- EACH CARTON SHALL BE PRINTED WITH A LINE DRAWING AND THE KENROY HOME NAME AND LOGO, MODEL NUMBER AND FINISH, EACH CARTON SHALL BE PROVIDED A UPC LABEL. THE UPC BAR CODE AS FOLLOWS:  
BRZ=053392004033.

### OTHER DETAILS

- MODEL 32250BRZ INSTRUCTIONS ARE TO BE PACKED WITH EACH LAMP. INSTRUCTIONS MUST BE PRINTED CLEARLY ON QUALITY PAPER.
- ALL VISIBLE METAL PARTS MUST MATCH LAMP FINISH UNLESS OTHERWISE SPECIFIED.
- ALL BAGS MUST BE LABELED WITH OFFICIAL "THIS BAG IS NOT A TOY" STATEMENT.
- LAMP MUST REST FLAT ON SURFACE AND NOT ROCK. LAMP MUST PASS 12° TILT TEST.
- ASSEMBLY TIME: 15 MINUTES.
- DIMS OF BOX: 33.7 CM (13-1/4") LENGTH X 33.7 CM (13-1/4") WIDTH x 123.2 CM (48-1/2") HEIGHT. (CUFT.: 4.93')
- NET WEIGHT: 24.2 LBS. GROSS WEIGHT: 27.9 LBS.
- THIS ITEM MUST BE UL APPROVED FOR WET LOCATION,
- THE UL NUMBER IS E330024.



**AVAILABLE PARTS ARE:**  
32250SHBRZ (SHADE)  
HPYBULBSHIELD (GLASS DOME)

**NOTE: BRZ FINISH NOTED AS FINISH CODE. ACTUAL FINISH SHOULD BE BLACK FINISH**

<b>KENROY HOME</b> 3723 Regent Boulevard JACKSONVILLE, FL. 32224 PHONE: 904-642-4340 FAX: 904-642-4150	THIS DOCUMENT AND THE INFORMATION THAT IT DISCLOSES IS THE EXCLUSIVE PROPERTY OF KENROY HOME. ANY REPRODUCTION OR USE OF THIS DRAWING IN PART OR IN WHOLE, WITHOUT THE EXPRESS CONSENT OF THE PROPRIETOR IS PROHIBITED. © 2012 KENROY HOME.			REVISION DATE:	MODEL #:
	DATE: 12/6/2012	SCALE: NONE	DRAWN BY: JAMES	REVISION DATE:	32250BRZ
	REFERENCE: TRELLIS OUTDOOR FLOOR LAMP	APPROVAL:	REVISION DATE:	REVISION DATE:	FINISHES: BLACK
			REVISION DATE:	REVISION DATE:	PAGE: 1 OF 1

MODEL: 32250BRZ

PACKING DIAGRAM

