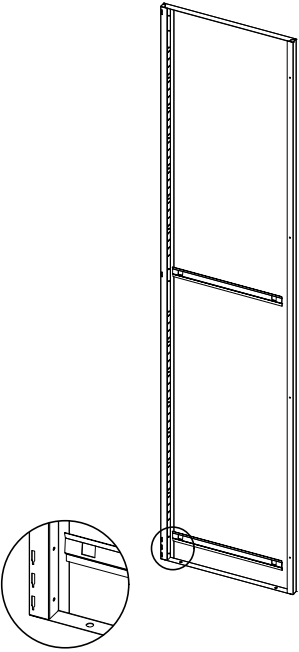
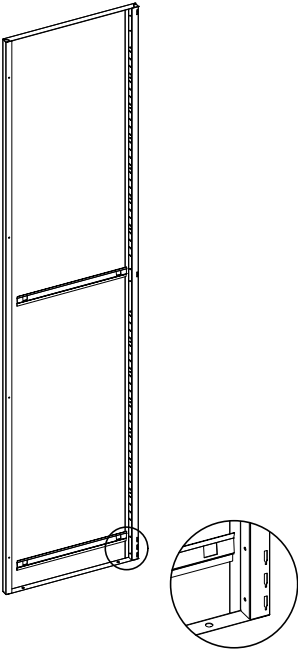
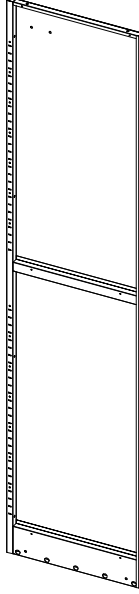
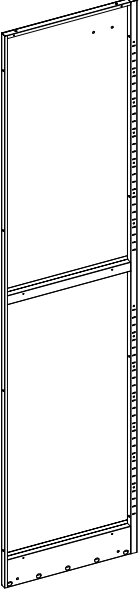
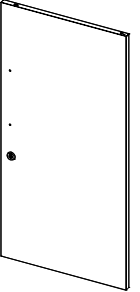
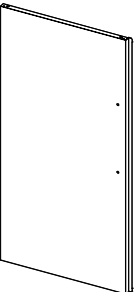
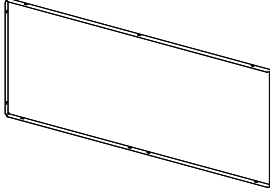
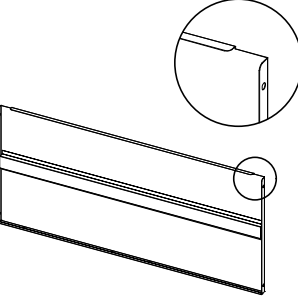
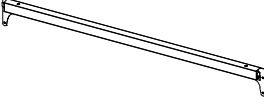
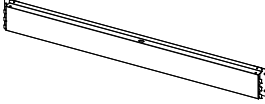

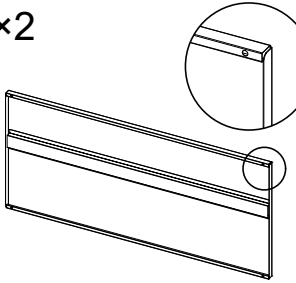
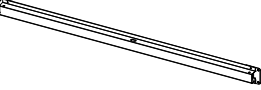
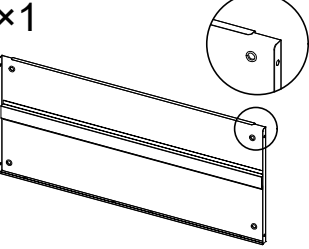




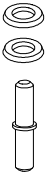

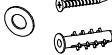


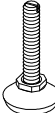

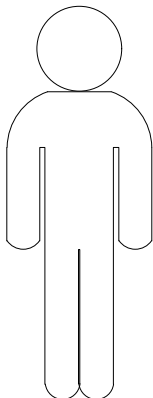
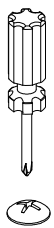
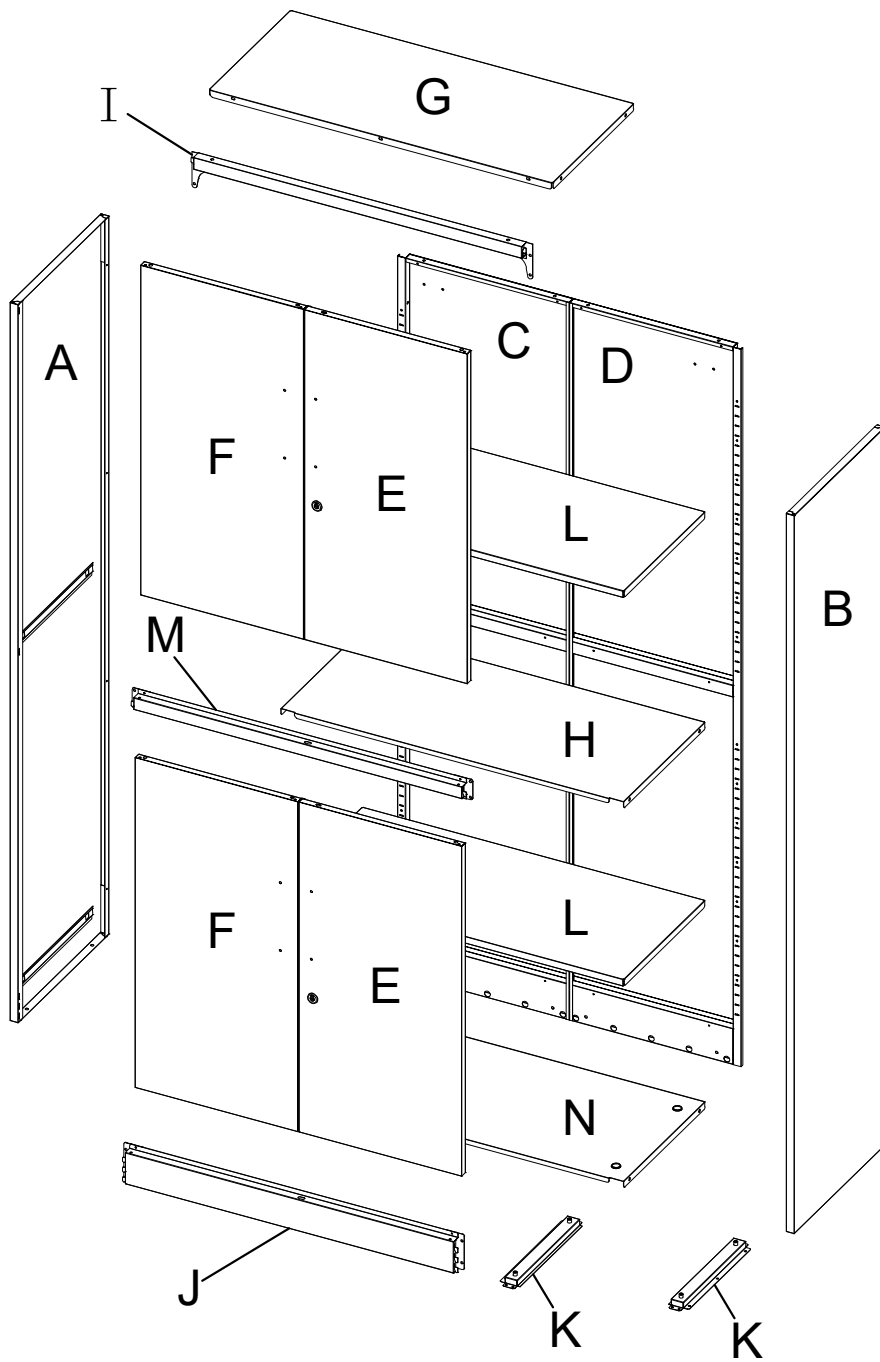
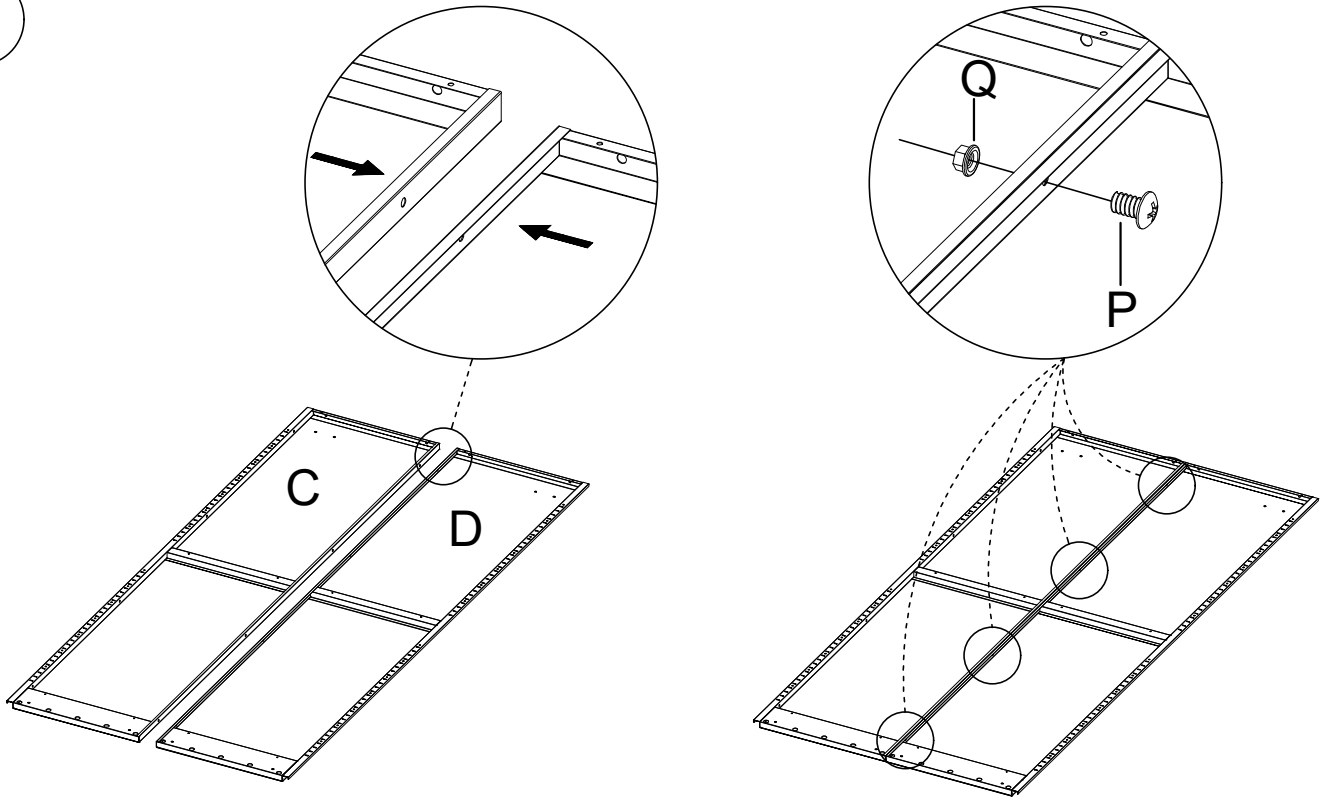


A×1 		B×1 		C×1 		D×1 	
E×2 		F×2 		G×1 		H×1 	
I×1 		J×1 		K×2 		L×2 	
M×1 		N×1 		O×49 	P×4 	Q×4 	R×8 
S×4 	T×8 	U×2 	V×4 	W×8 	X×4 	Y×2 Standby Application 	



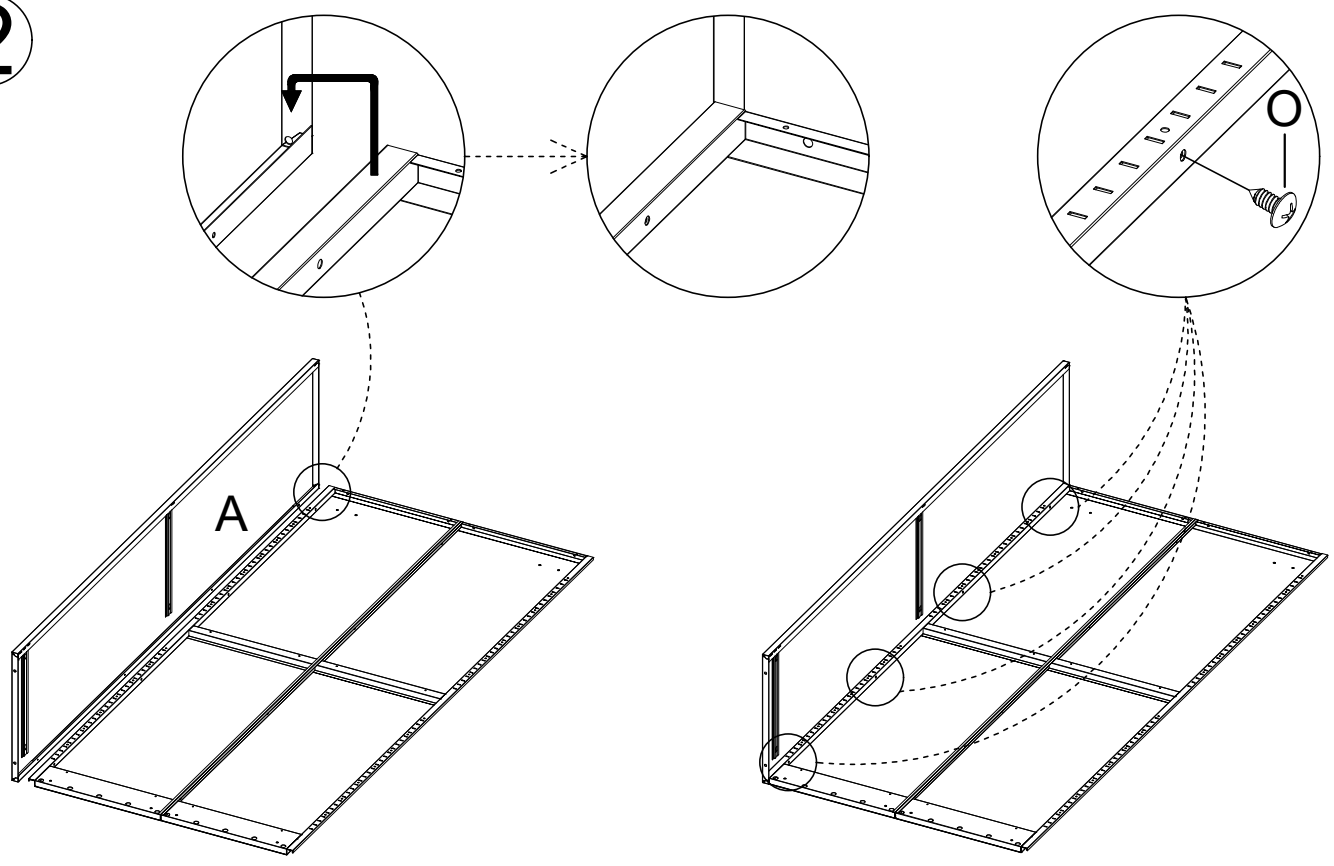
**×2**

1



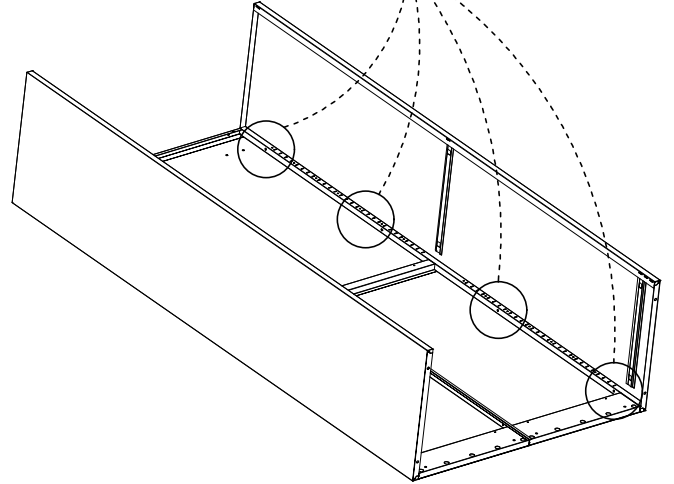
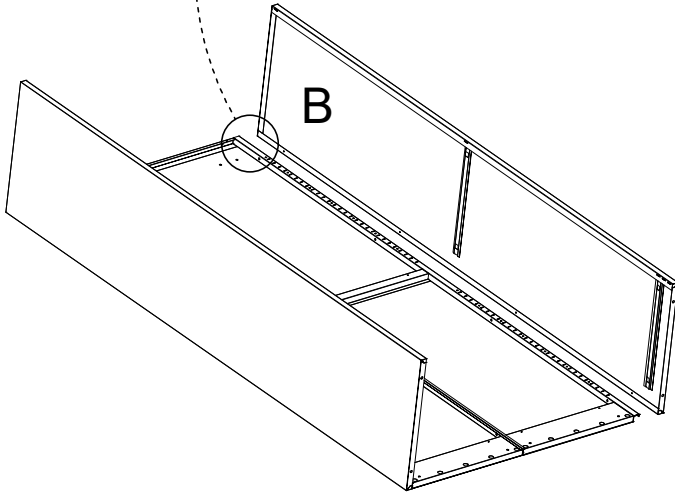
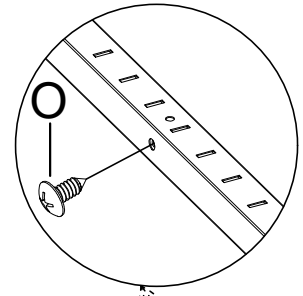
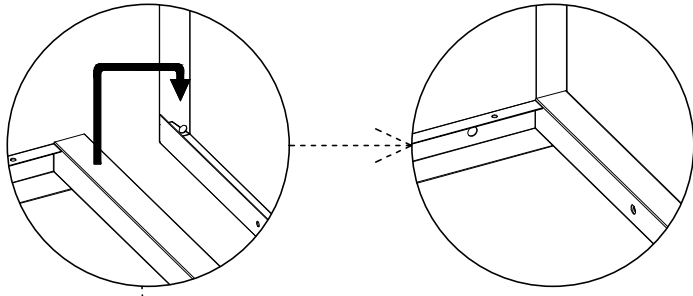
P×4 | Q×4

2



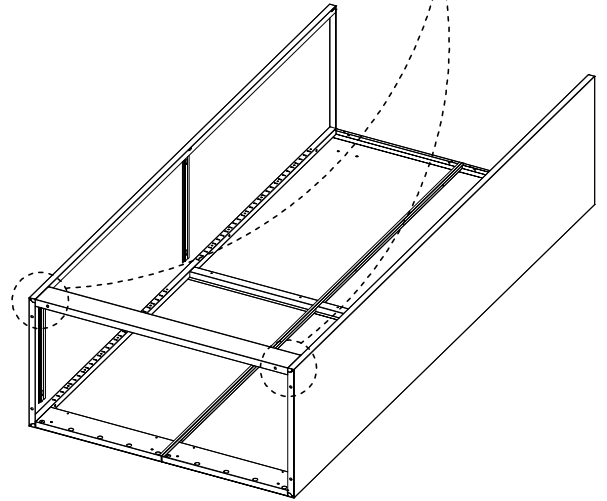
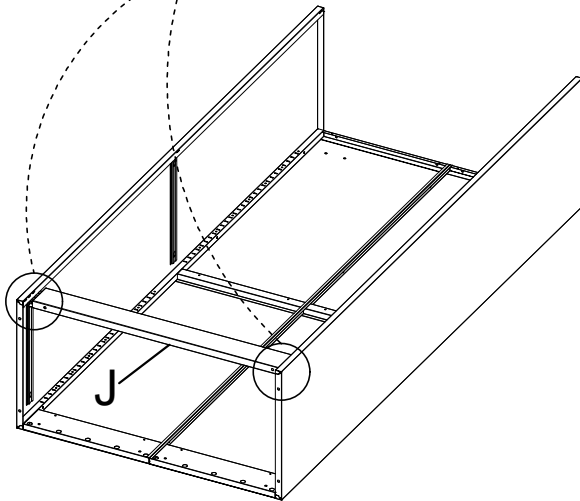
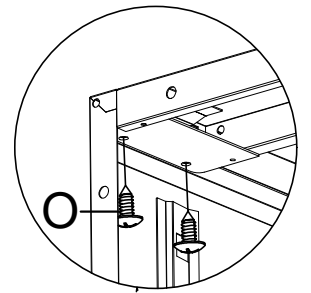
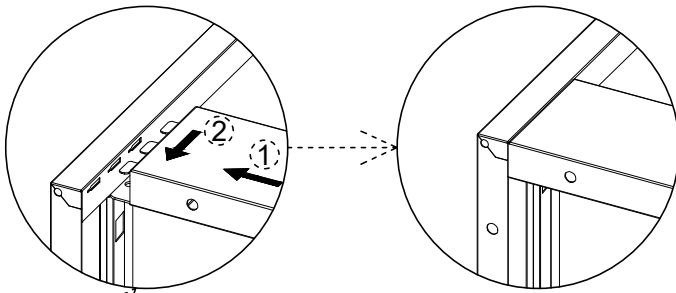
O×4

3



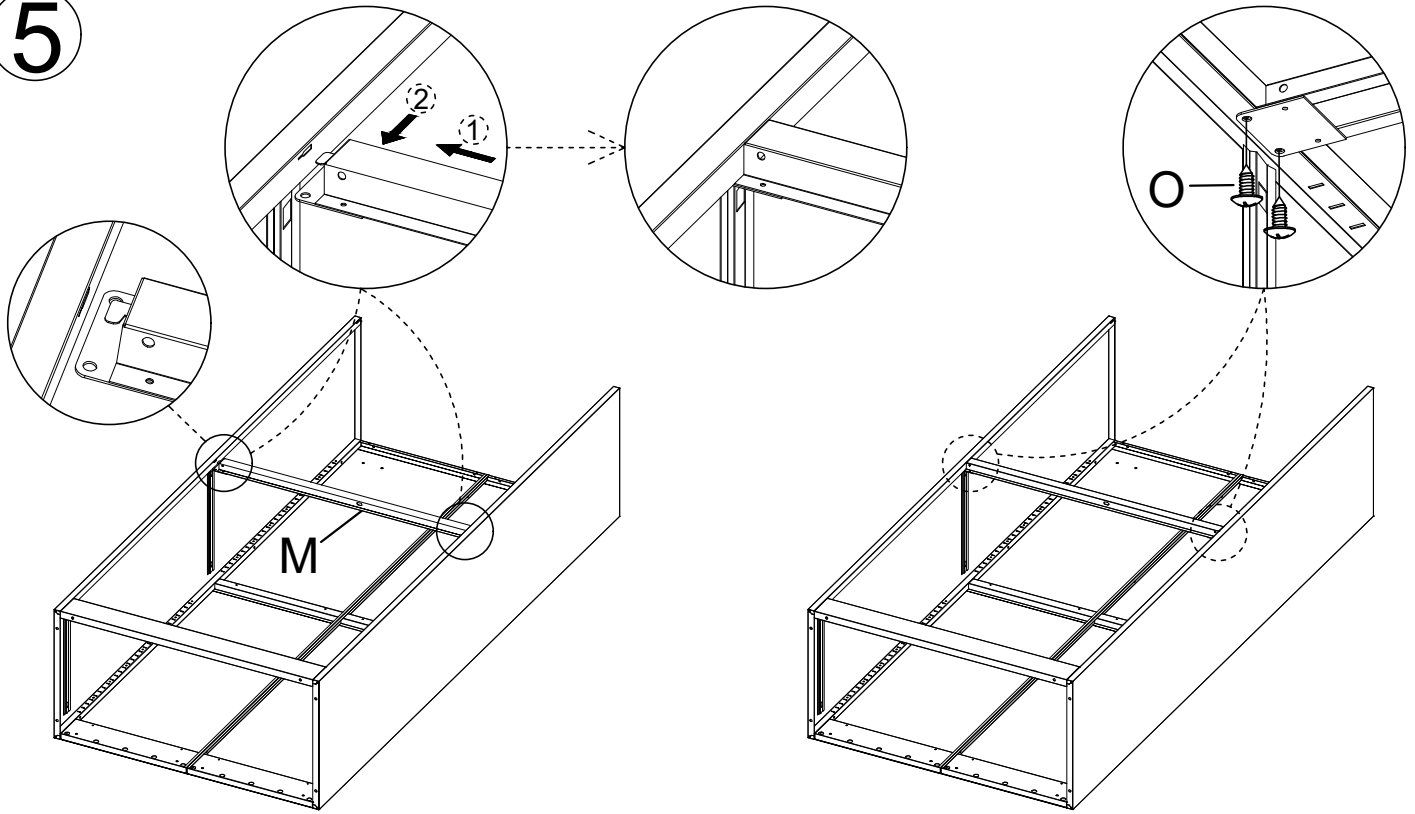
Ox4

4



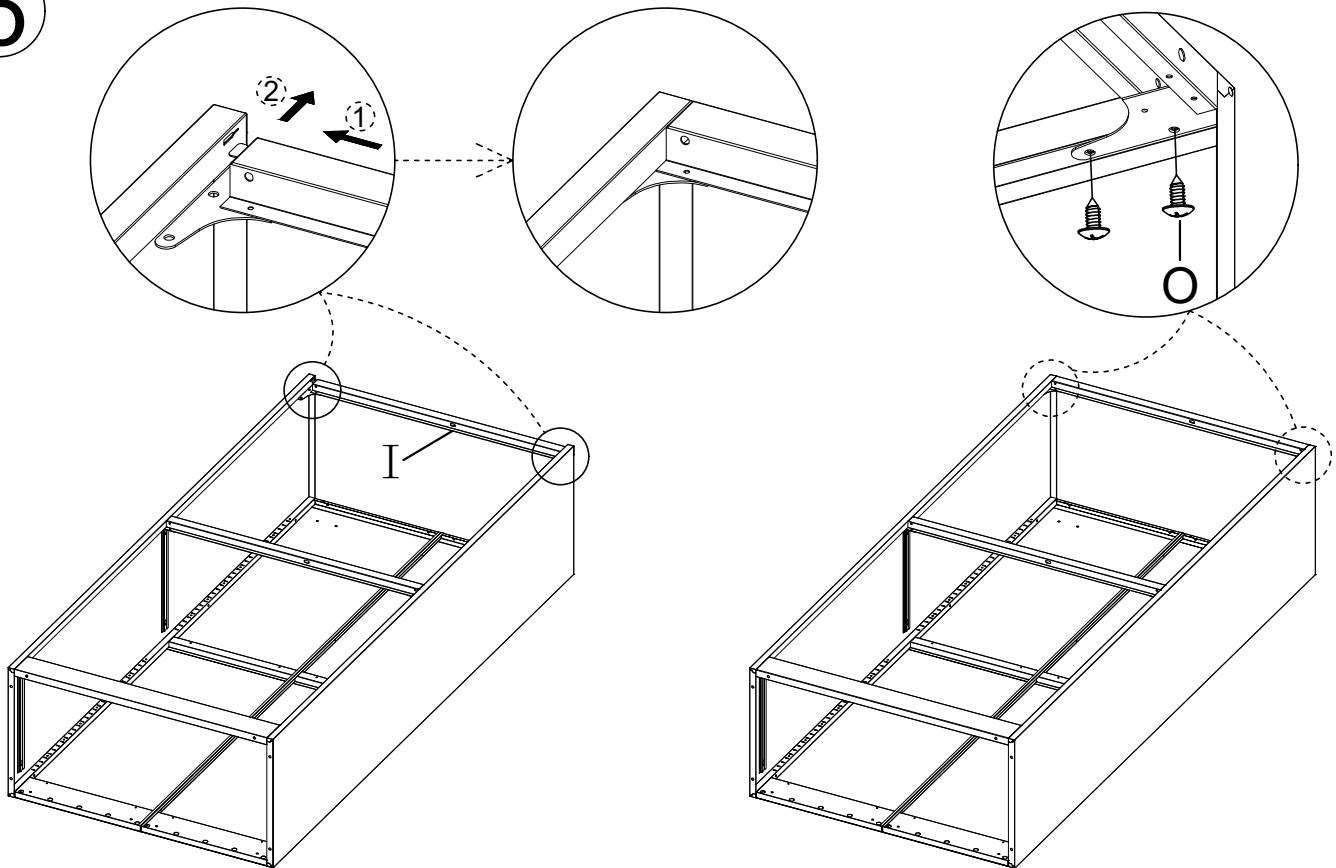
Ox4

5



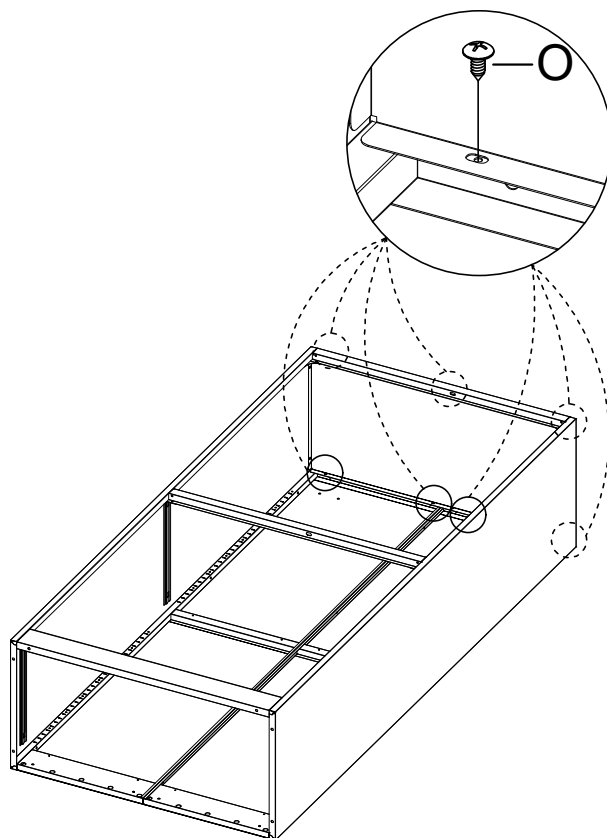
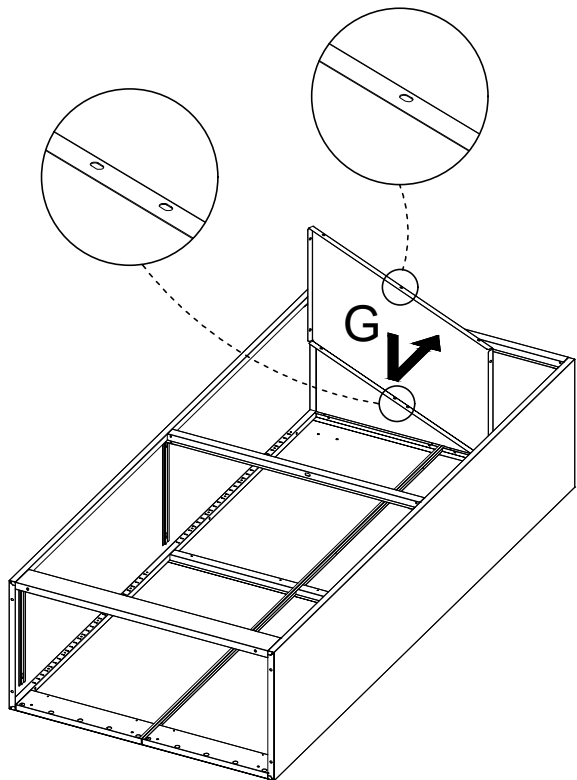
O×4

6



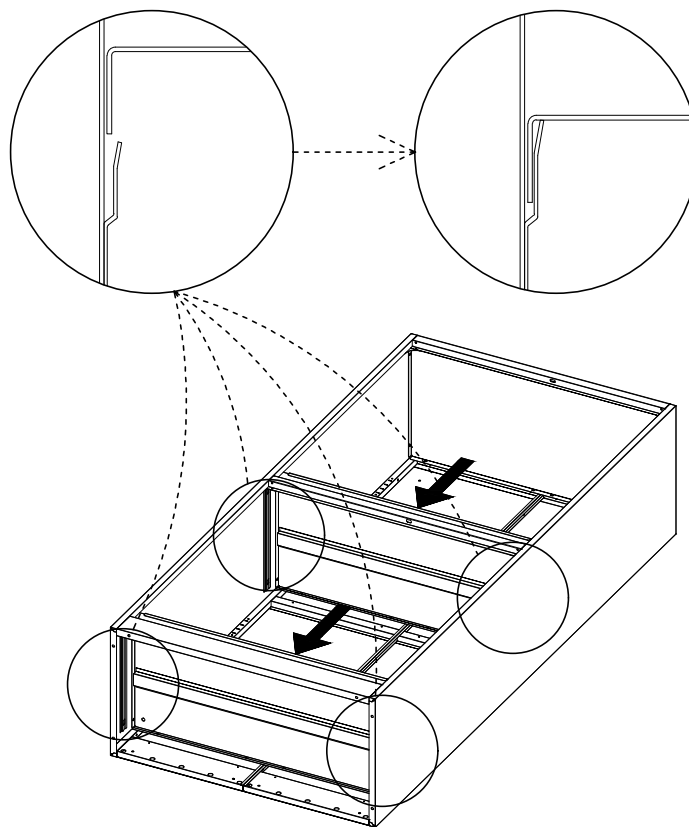
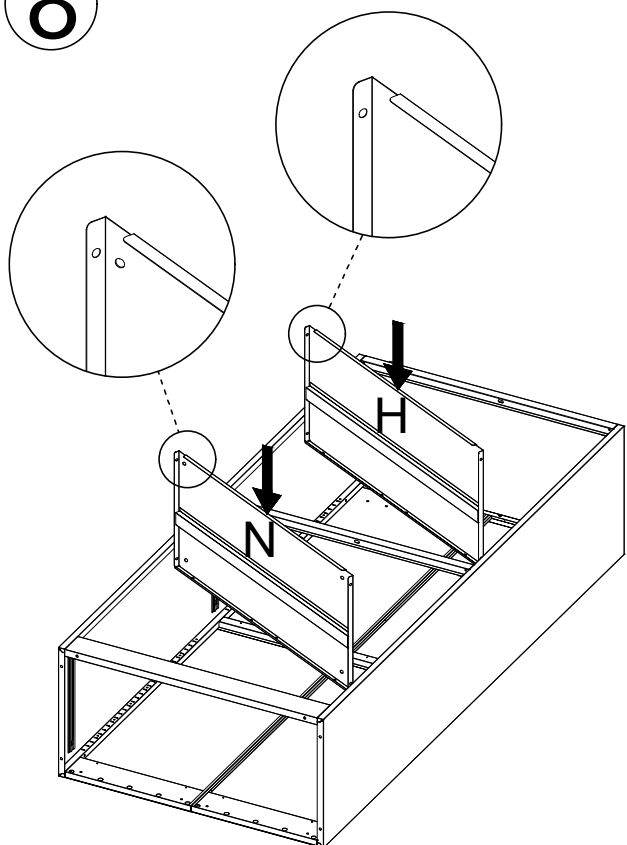
O×4

7

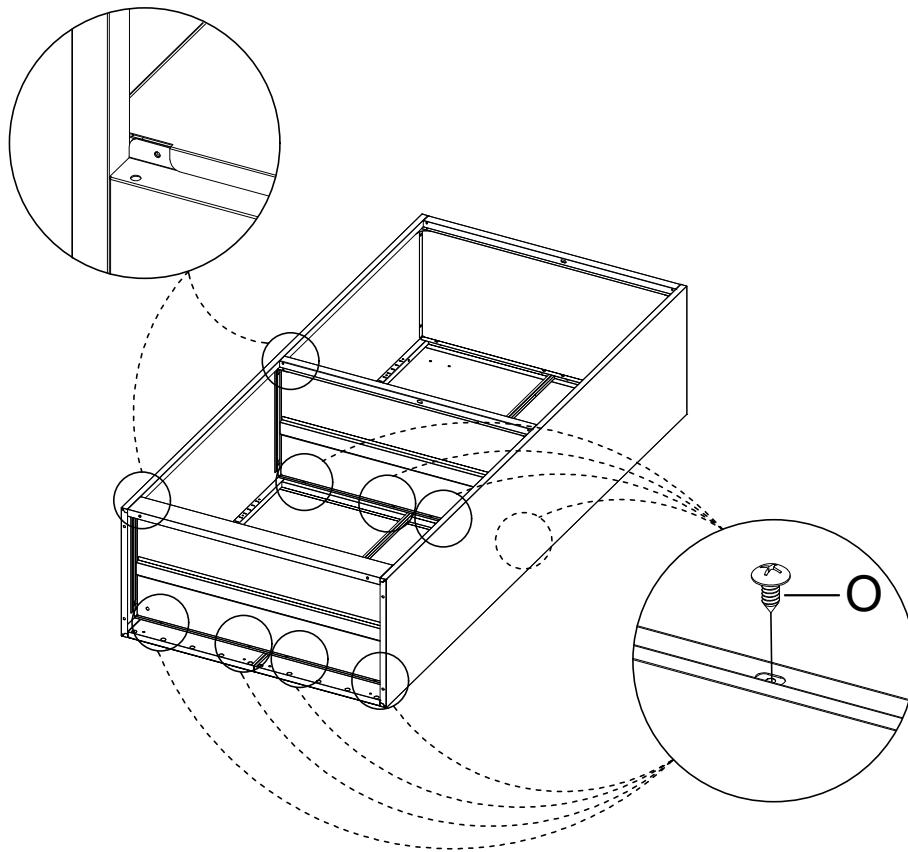


Ox7

8

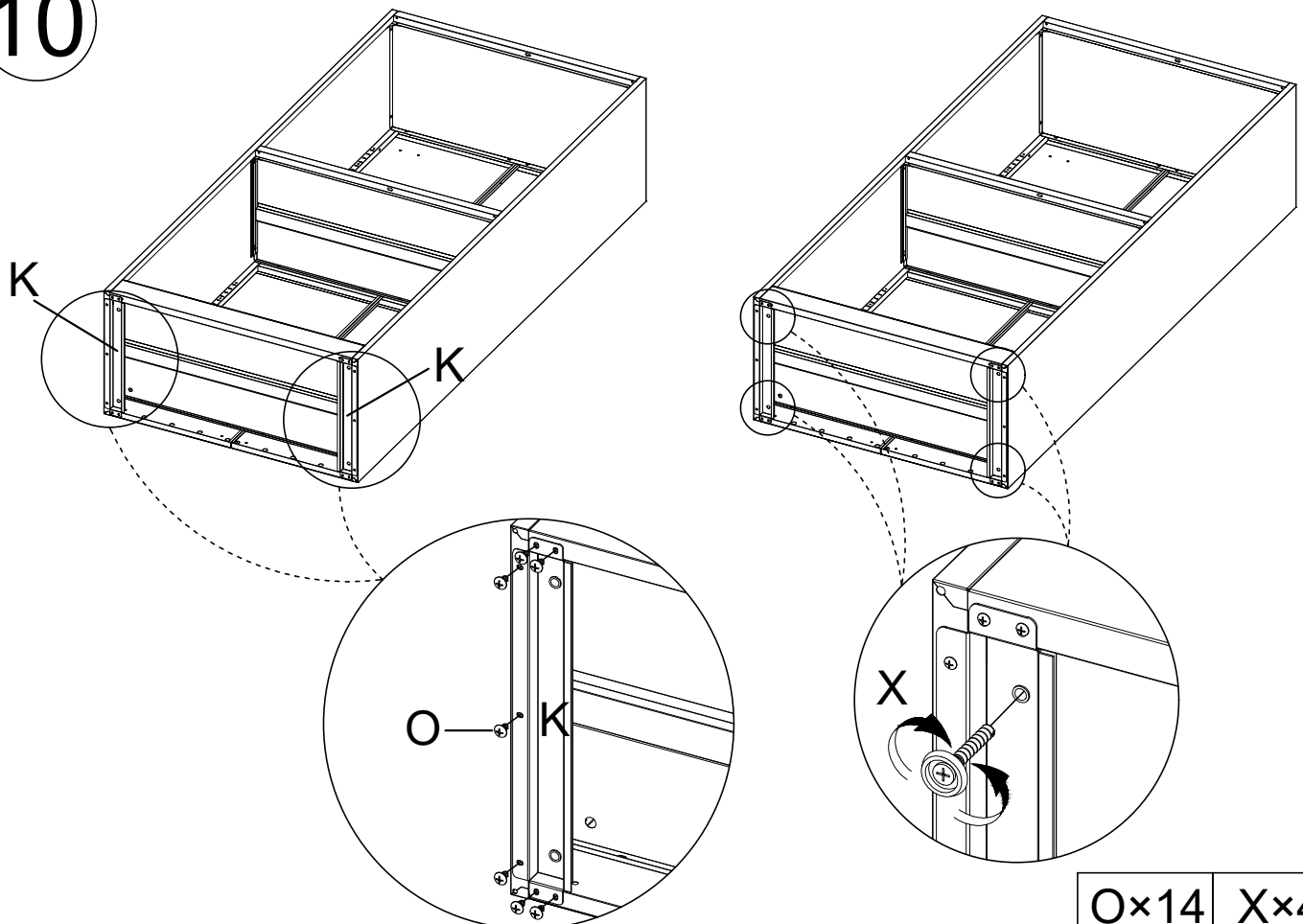


9



O×8

10

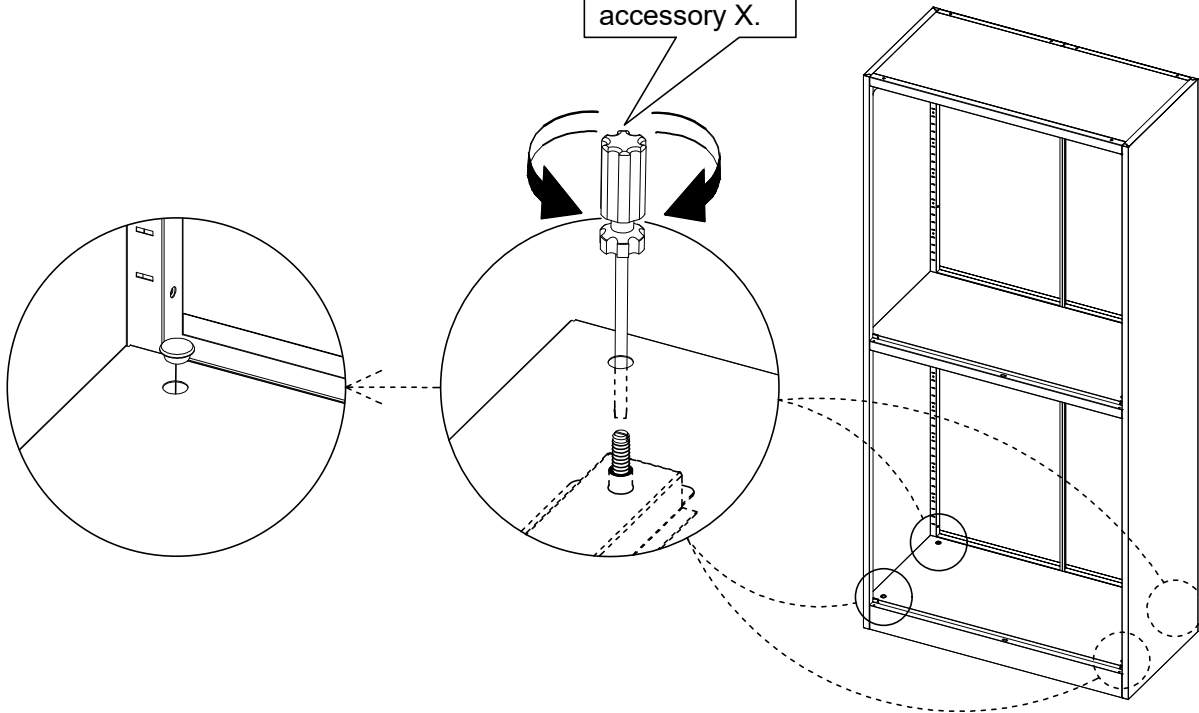


O×14 X×4

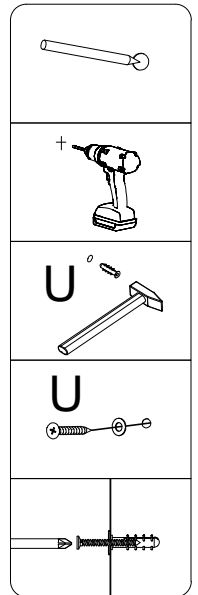
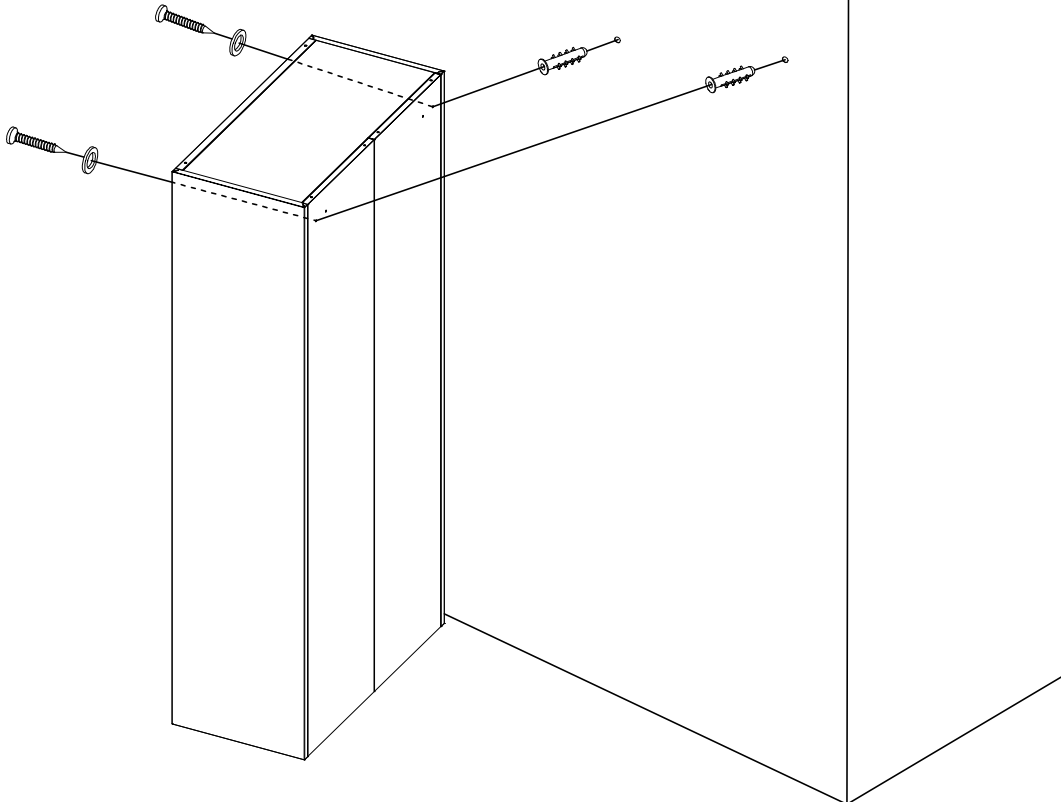


11

If the cabinet is uneven, it can be adjusted by rotating the accessory X.

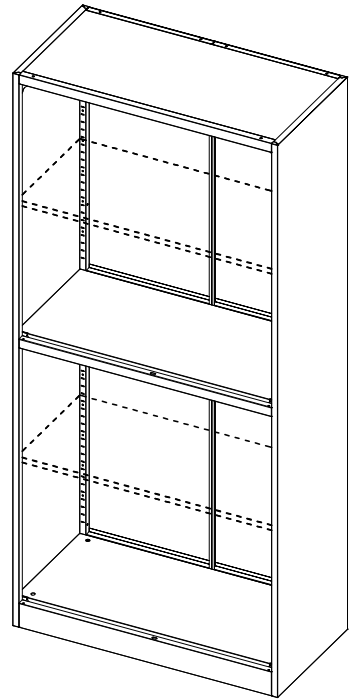
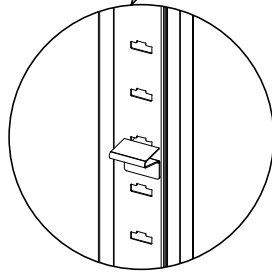
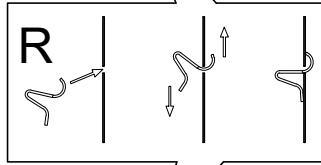
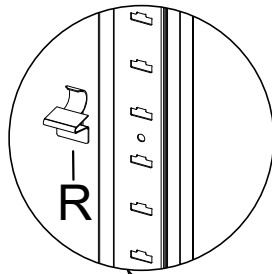
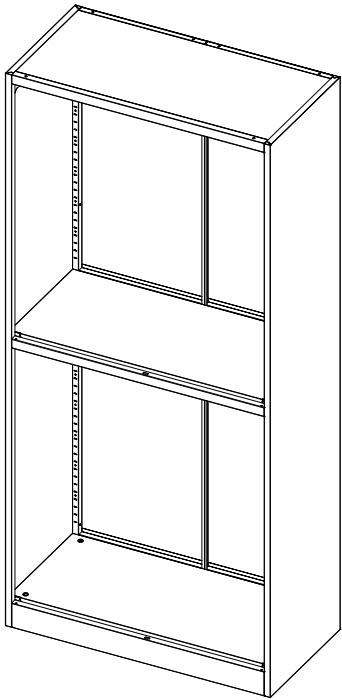


12



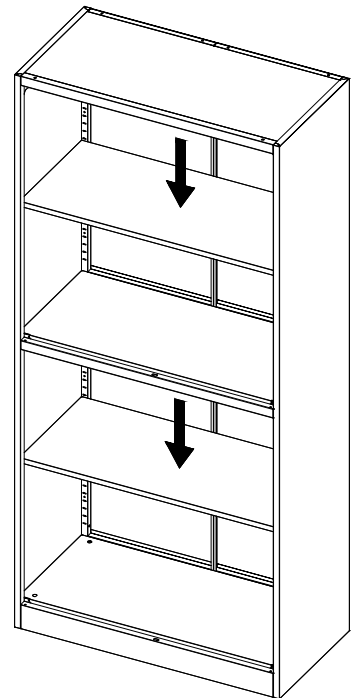
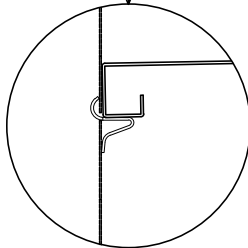
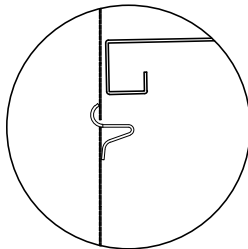
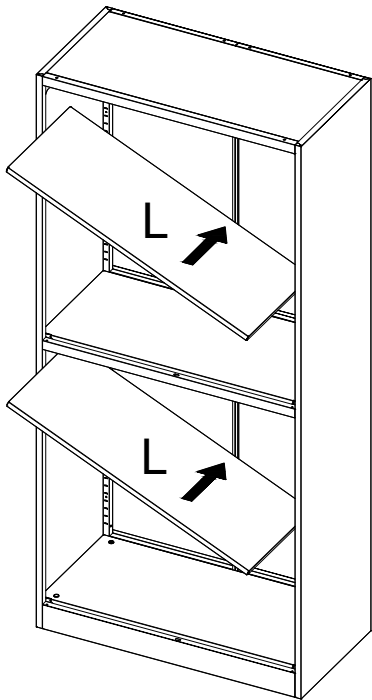
U×2

13



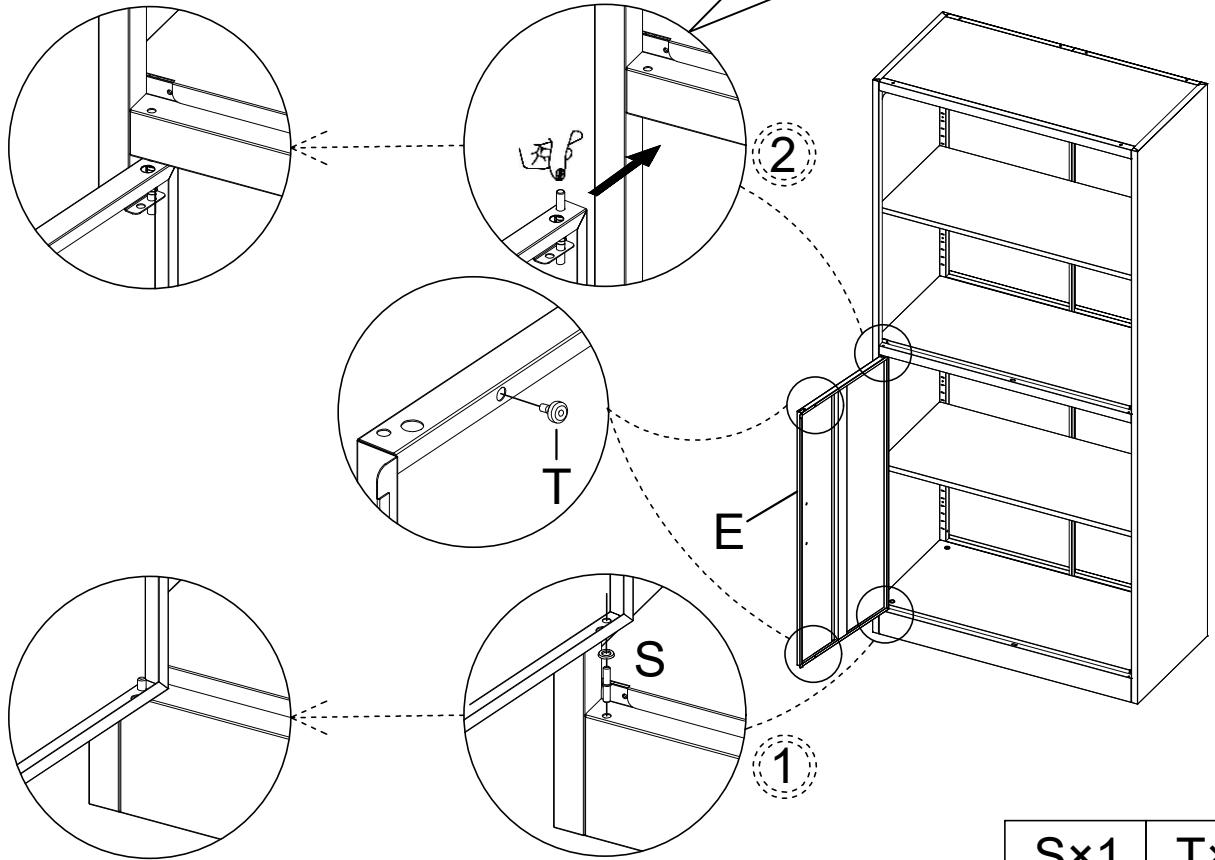
R×8

14



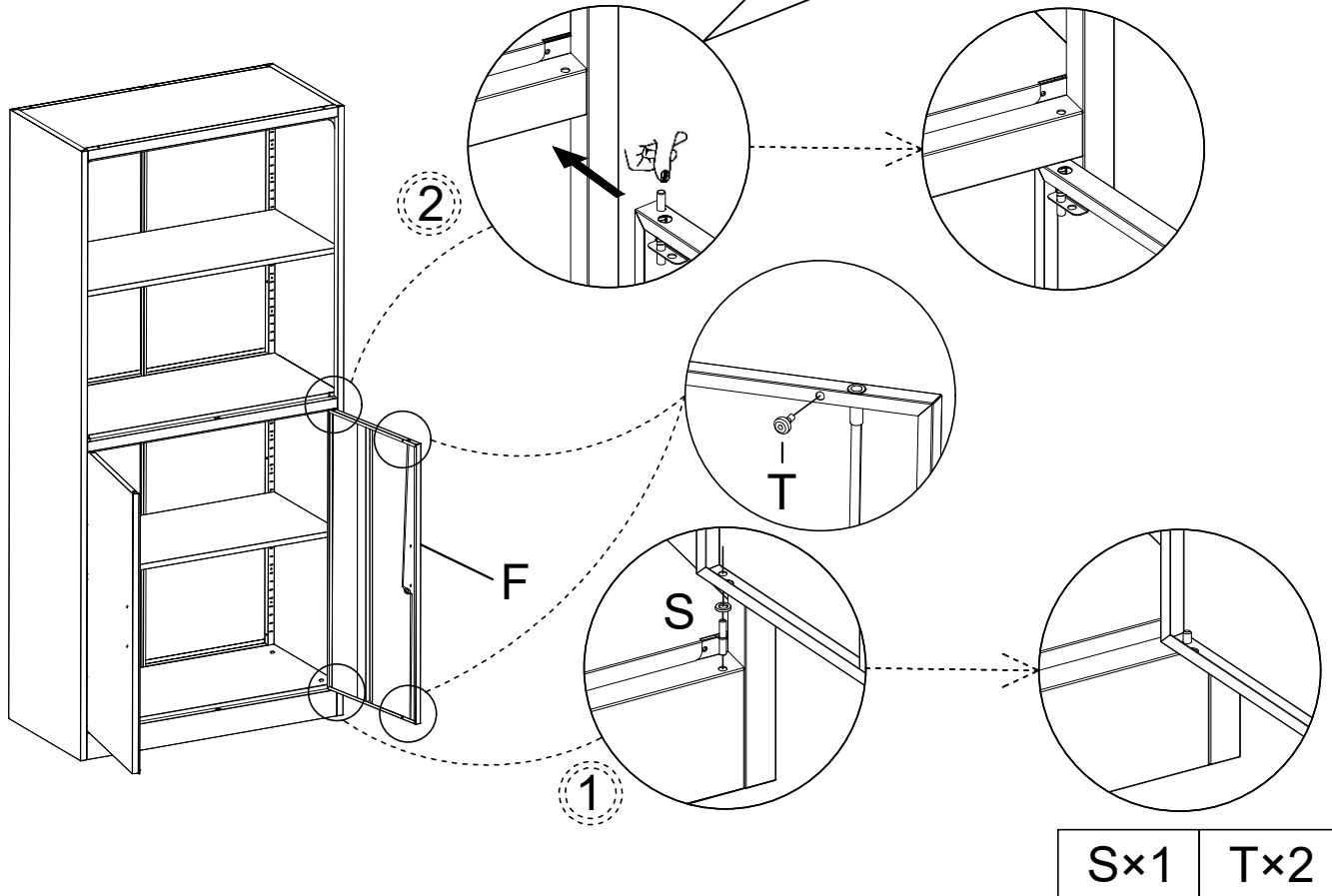
15

If the spring shaft is lost, spare parts Y can be used.



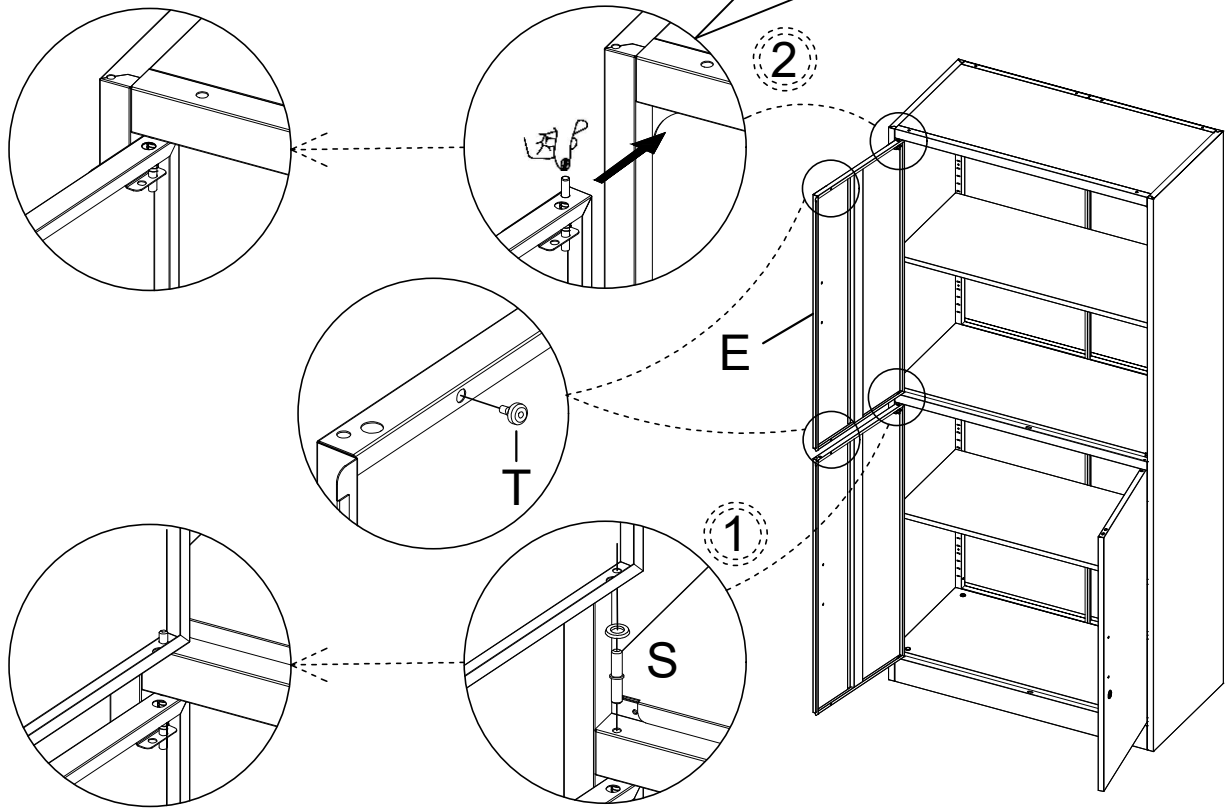
16

If the spring shaft is lost, spare parts Y can be used.



17

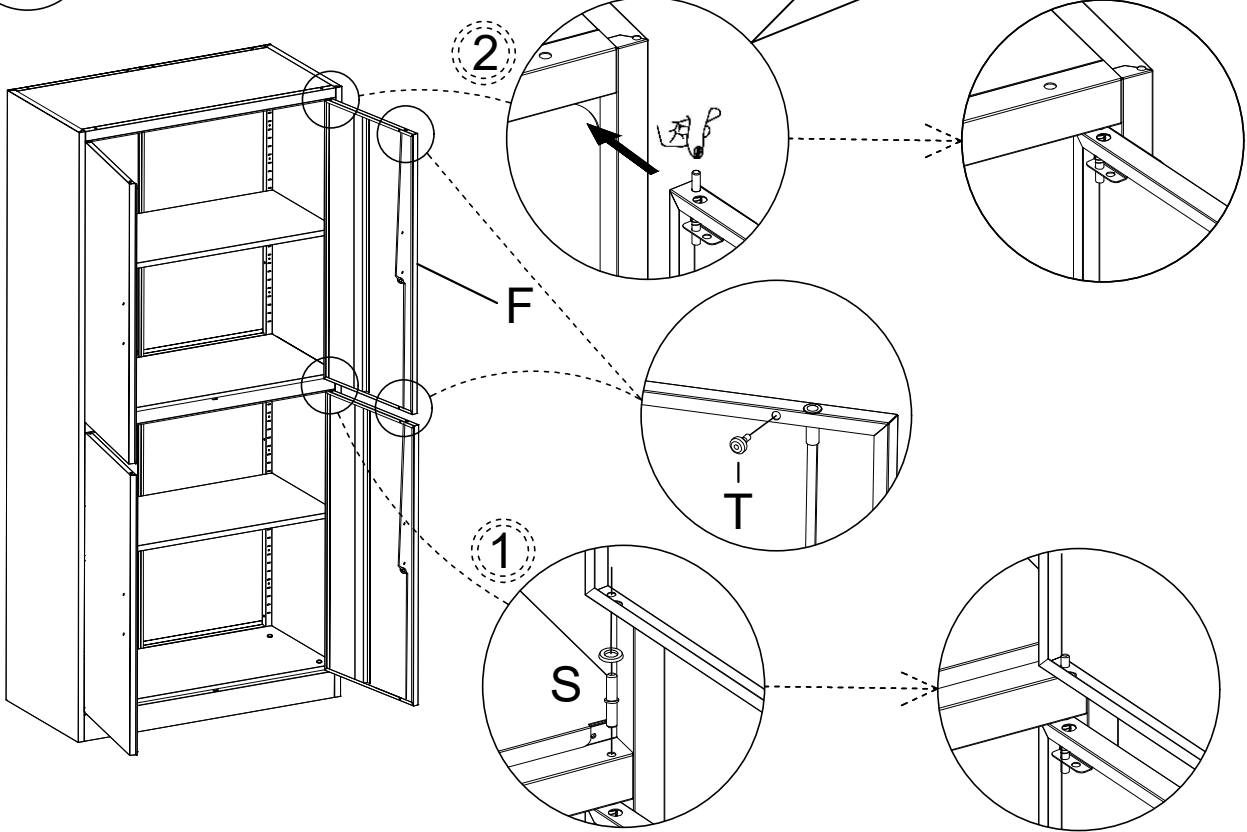
If the spring shaft is lost, spare parts Y can be used.



S×1	T×2
-----	-----

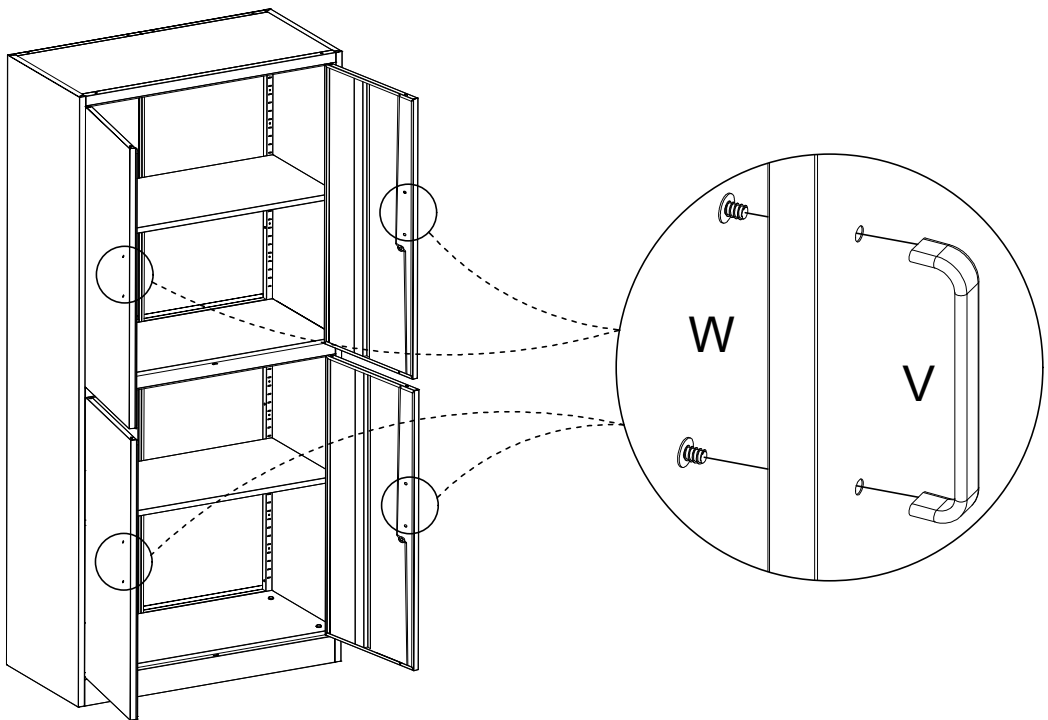
18

If the spring shaft is lost, spare parts Y can be used.



S×1	T×2
-----	-----

19



V×4	W×8
-----	-----

20

