

USE AND CARE GUIDE

80QT BROWN WOODGRAIN COOLER WITH BLACK FRAME



Questions, problems, missing parts?
Before returning to the store, call StyleWell Customer Service
8 a.m. – 7 p.m., EST, Monday-Friday, 9 a.m. – 6 p.m., EST, Saturday

1-877-527-0313

HOMEDEPOT.COM

THANK YOU

We appreciate the trust and confidence you have placed in StyleWell through the purchase of this cooler. We strive to continually create quality products designed to enhance your home. Visit us online to see our full line of products available for your home improvement needs. Thank you for choosing StyleWell!

Table of Contents

Table of Contents.....	2	Hardware Included.....	3
Important Safety Instructions	2	Package Content.....	4
Warranty.....	2	Assembly	6
Pre-Assembly	3	Care and Cleaning	10
Planning assembly.....	3		

Important Safety Instructions

SAVE THESE INSTRUCTIONS

READ ALL INSTRUCTIONS BEFORE USE

To reduce the risk of injury to persons:

1. Some parts may contain sharp edges. Wear protective gloves.
2. When assembling and using this product, basic safety precautions should always be followed to reduce the risk of personal injury and damage to equipment. Please read all instructions before assembly and usage.



DANGER: Keep children and parts away from the assembly area.



CAUTION: Do NOT over tighten any of the bolts or nuts.



WARNING: To avoid destroying the finish, please handle the surface by using a soft cloth instead of your bare hands. Due to the nature of iron, surface oxidation (rusting) will occur if these protective coatings are scratched. We recommend immediate touch-up with rust inhibiting paint (not included).

Warranty

1 YEAR WARRANTY

WHAT IS COVERED

This limited warranty is extended to the original purchaser and applies to defects in materials and workmanship of your item provided the item is maintained with care and used only for personal, residential purposes. The item is warranted to be free from defects in material or workmanship for a period of 1 year.

WHAT IS NOT COVERED

We do not reimburse for transportation of delivery costs, or compensate the individual or any outside party for assembling or disassembling the product.

Contact the Customer Service Team at 1-877-527-0313 or visit www.HomeDepot.com.

Production Number: 2023100706

Pre-Assembly

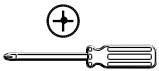
PLANNING ASSEMBLY

Before beginning assembly of this product, make sure all parts are present. Compare parts with the Hardware Included and Package Contents lists. If any part is missing or damaged, do not attempt to assemble the product. Contact customer service for replacement parts.



NOTE: Tools and protective articles below are not provided.

ADDITIONAL TOOLS REQUIRED (NOT INCLUDED)



Phillips Screwdriver

IMPORTANT

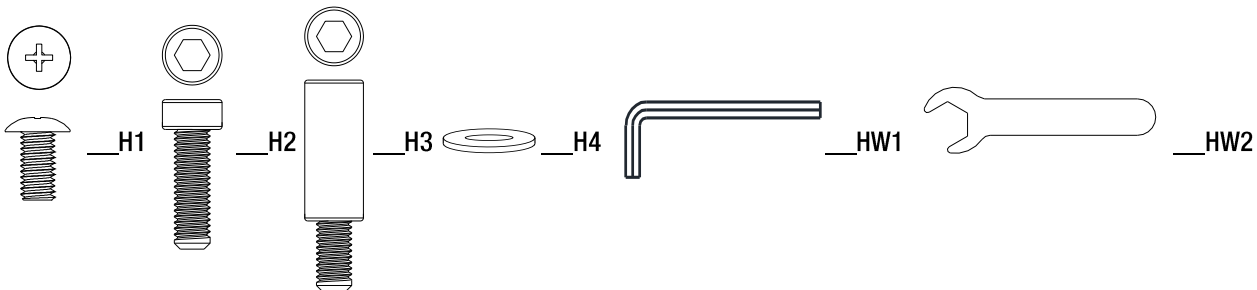
This assembly requires at least one people. Approximate assembly time: 30 minutes.



HARDWARE INCLUDED



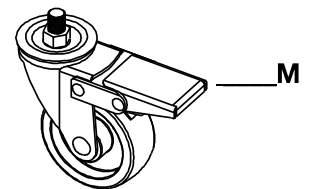
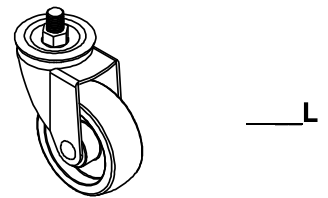
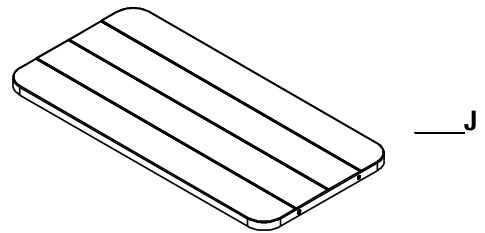
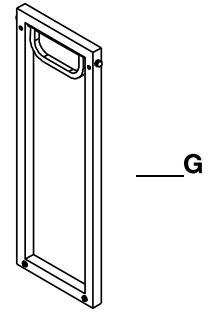
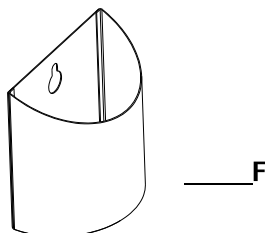
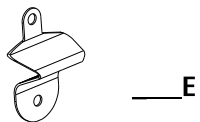
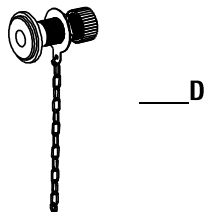
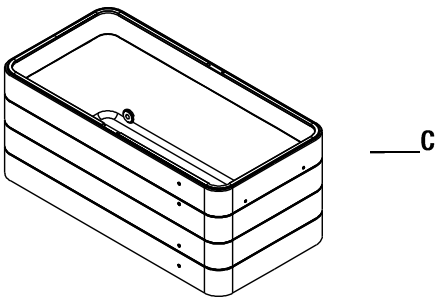
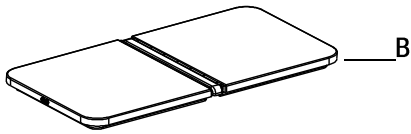
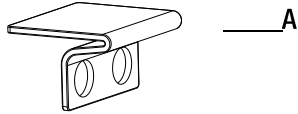
NOTE: Hardware not shown to actual size.



Part	Part Number	Description	Quantity
H1	H010070023	M6*15 Bolt (Pre-assembled on C)	4
H2	H010040063	M6*20 Bolt	4
H3	H010170003	M6*13 Bolt	4
H4	H050010025	M6 Washer	4
HW1	H090030005	M8 Allen Wrench	1
HW2	H090010020	Wrench 17mm	1

Pre-Assembly (continued)

PACKAGE CONTENT



Pre-Assembly (continued)

PACKAGE CONTENTS

Part	Part Number	Description	Quantity
A	P00510038201	Handle (Pre-assembled on B)	2
B	P00310013001	Lid (Pre-assembled on C)	1
C	P00320001901	Cooler Body	1
D	P005100102	Drain Plug (Pre-assembled on C)	1
E	P00710000401	Bottle Opener	1
F	P00720001301	Bucket	1
G	P00540067001	Leg	2
J	P00230011201	Baseboard	1
L	P003300027	Caster	2
M	P003300028	Caster with Brake	2

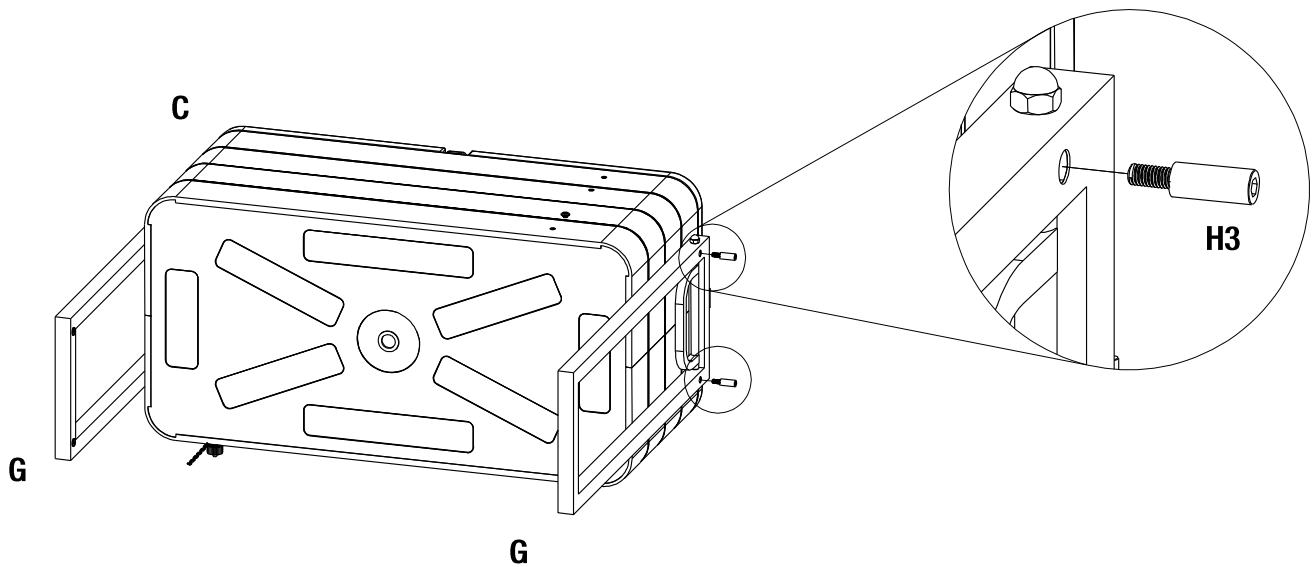
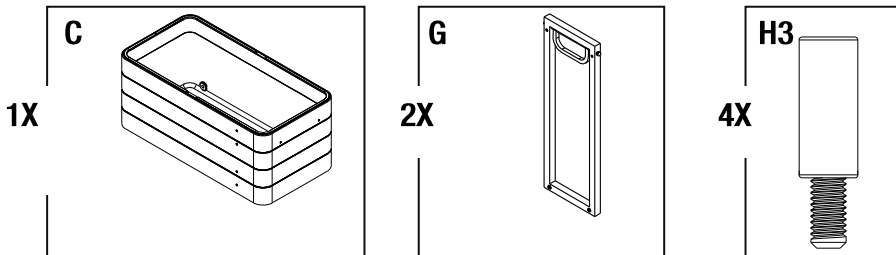
Assembly

1 Attaching the Legs

- Attach the legs (G) to cooler body (C) using bolts (H3). Use allen wrench (HW1) to loosely tighten the bolts.



NOTE: To preserve the finish, place parts on a soft surface.



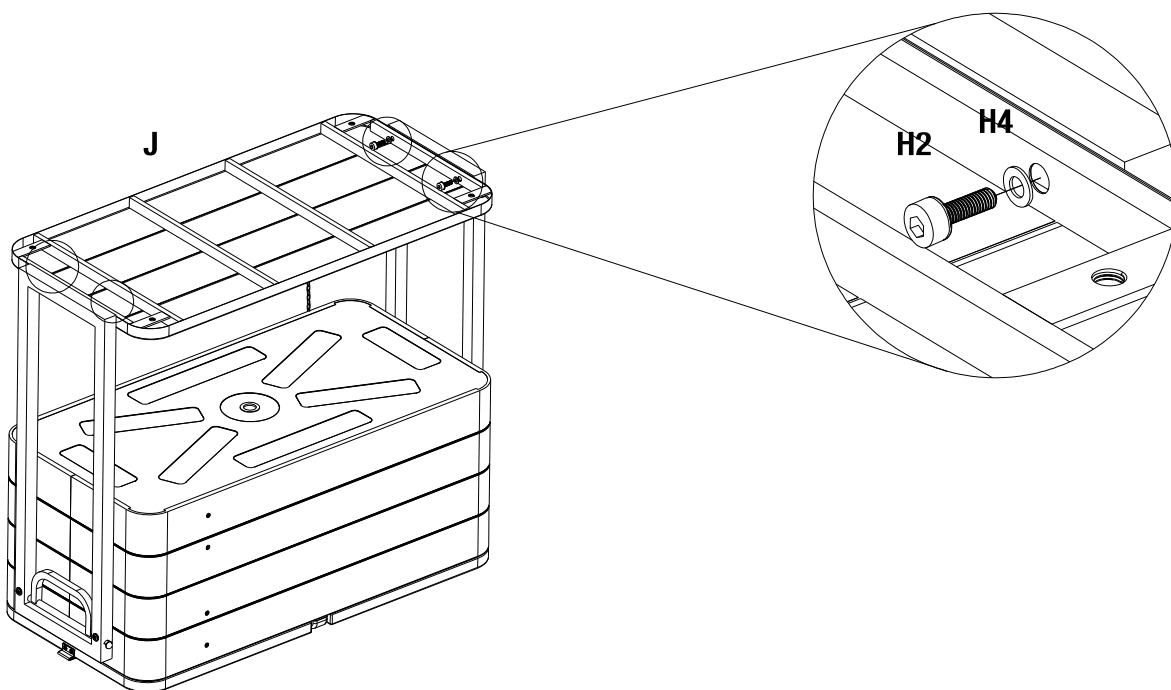
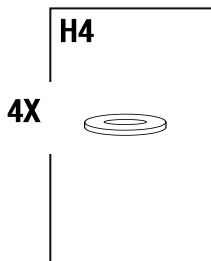
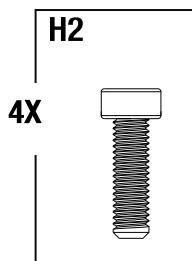
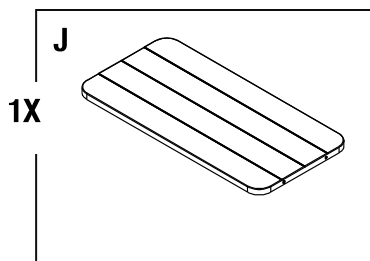
Assembly(continued)

2 Attaching the Baseboard

- Attach the baseboard (J) to the assembled legs (G) using bolts (H2) and washers (H4). Use allen wrench (HW1) to tighten the bolts.



NOTE: To preserve the finish, place parts on a soft surface.



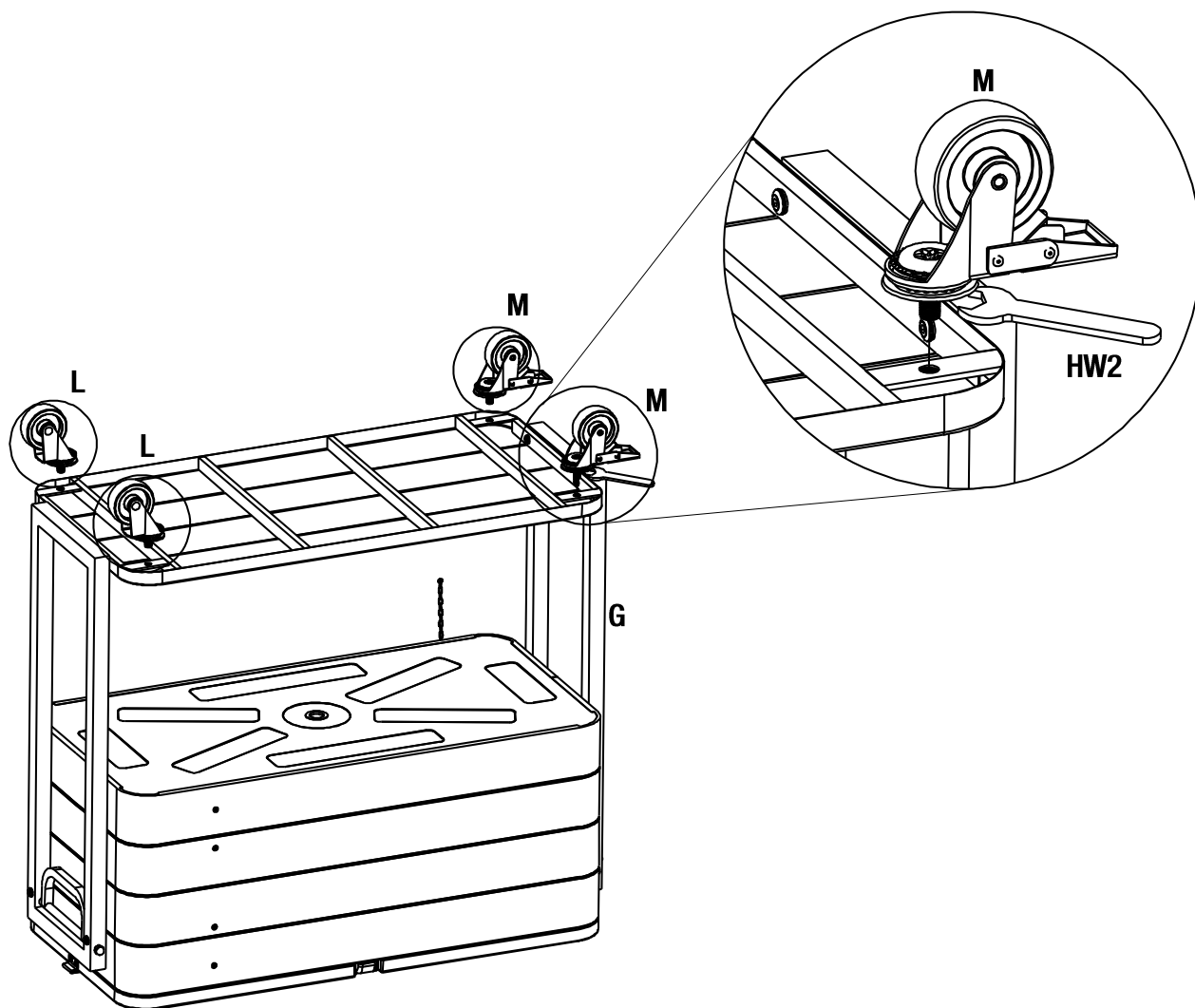
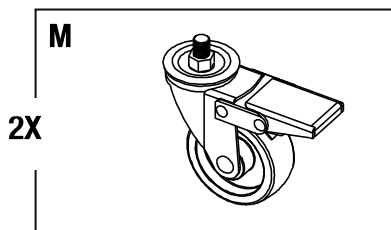
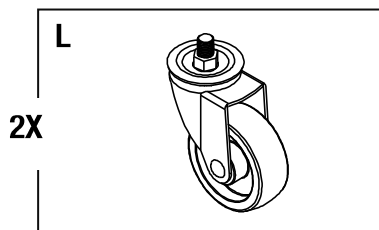
Assembly(continued)

3 Attaching the Casters

- Connect the casters (L/M) with the assembled legs (G). Use wrench (HW2) to fully tighten all the casters.



NOTE: To preserve the finish, place parts on a soft surface.



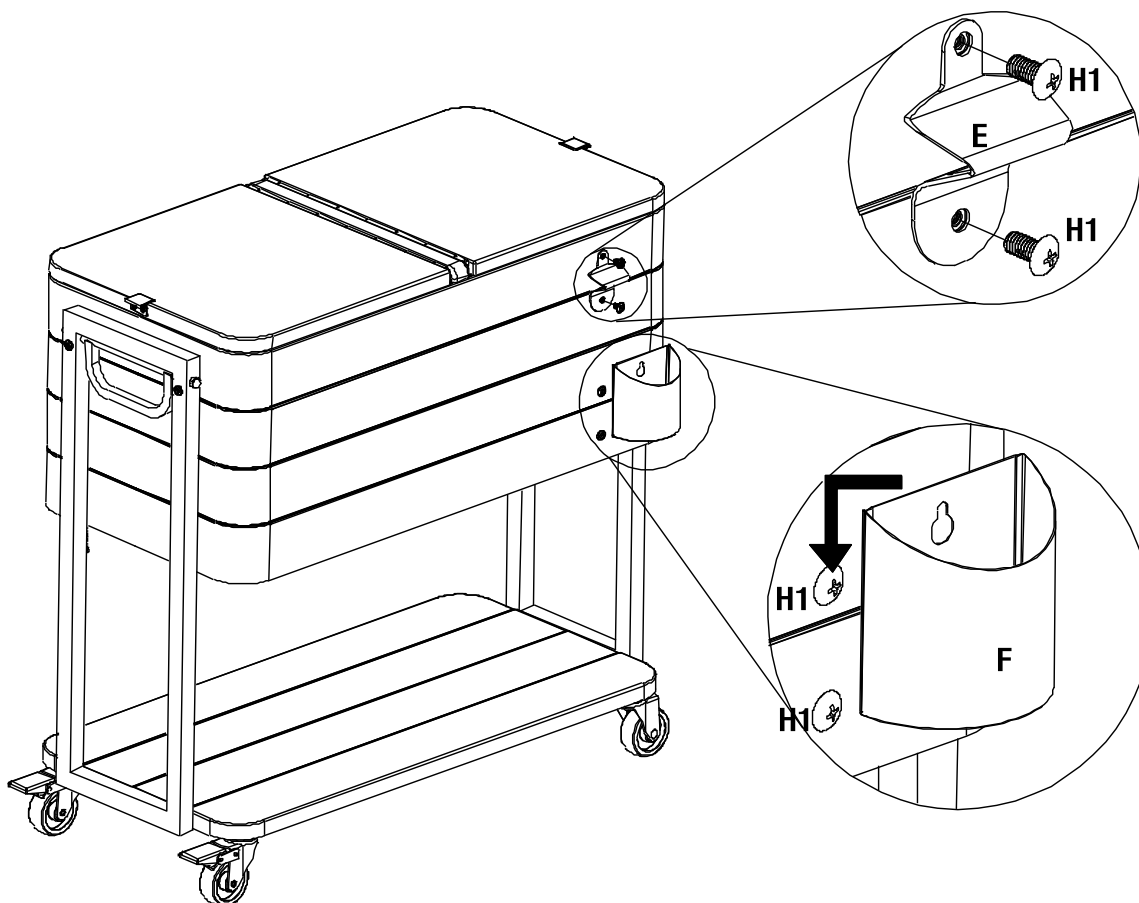
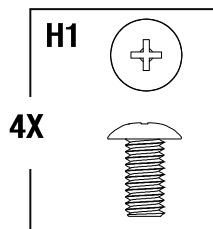
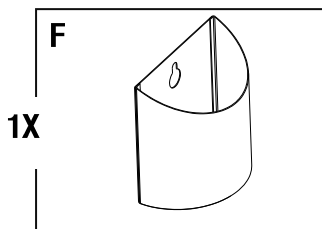
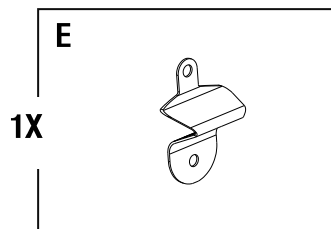
Assembly(continued)

4 Attaching the Accessories

- Remove the bolts (H1) from the cooler body (C).
- Attach the bottle opener (E) to the cooler body (C) using bolts (H1).
- Insert the bucket (F) into the clips located on the cooler body (C).



NOTE: It is recommended to use the Phillips screwdriver to loosely/fully tighten the bolts.



Care and Cleaning

- Before using, clean the cooler completely with a soft dry towel.
- Do not use harsh abrasives or cleaners.
- When not in use, store in a cool, dry area.

StyleWell™

Questions, problems, missing parts?
Before returning to the store, call StyleWell Customer Service
8 a.m. – 7 p.m., EST, Monday-Friday, 9 a.m. – 6 p.m., EST, Saturday

1-877-527-0313

HOMEDEPOT.COM

Retain this manual for future use.