

# DQR3

## 3" LED Square Retrofit Kit

### Product Description

Part of the D-Series, the DQR3 is everything you love about NICOR's recessed downlighting family with the added design aesthetic of a square trim. Compatible with most 3" recessed housings, this luminaire delivers incredible color accuracy with 90+ CRI and flexible dimming capabilities. Designed to boost energy efficiency, the LED light engine draws only 8 watts while achieving a light output of up to 500 lumens. The DQR3 is an ideal commercial, retail, institutional or residential downlight choice for retrofit or new construction. From LED color rendering and trim finishes to fixture performance, the design style blends nicely with other fixtures in this series.

#### Construction

- Die cast aluminum trim routes heat away from electrical components

#### Optical System

- Polystyrene diffuser and reflector cone create a uniform light distribution that reduces glare without sacrificing lumen output.

#### Electrical

- Utilizes high performing LEDs with greater than 90 CRI and an R9 greater than 50
- Dimmable to 10% with most standard triac dimmers
- Thermally protected, high efficiency driver standard
- Operating temperature rating of 0°F to 120°F (-18°C – 49°C)
- Input voltage of 120V
- L70 rated for greater than 50,000 hours
- LM-79, LM-80 testing performed in accordance with IESNA standards

#### Finish

- Exterior white powder coat finish, with interior high reflective finish
- Also available in Black, Oil-Rubbed Bronze and Nickel

#### Installation

- Compatible with most 3" recessed housings
- Quick and easy installation with a snap-in IDEAL connector and friction clip mounting system

#### Warranty

- 5-year limited system warranty standard

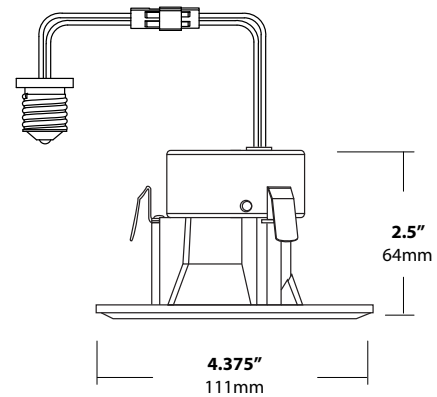
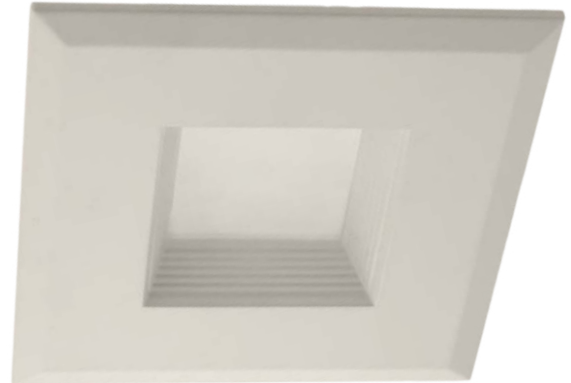
### PRODUCT INFORMATION

LED Lifetime:	50,000 Hours
Input Voltage:	120V
Power Draw:	8W
Fixture Height:	2.5 in. (64mm)
Trim Width:	4.375in. x 4.375in. (111mm x 111mm)

Project

Catalog

Type



### Ordering Information

Example: DQR3-10-120-3K-WH-BF

Series	Version	Voltage	CCT's	Trim
DQR3	10 (v1.0)	120 (V)	2K (2700)	BK-BF (black-baffle)*
			3K (3000)	NK-BF (nickel-baffle)*
			4K (4000)	OB-BF (oil-rubbed bronze-baffle)*
				WH-BF (white baffle)

\*only available as special order. Contact NICOR for more info.

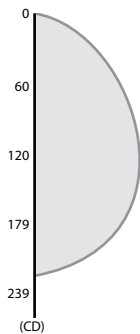


# Photometric Data

## DQR3 2700K



Luminaire	2700K
Input Voltage (VAC)	120
System Level Power (W)	8
Delivered Lumens (Lm)	480
System Efficacy (Lm/W)	60
Correlated Color Temp (K)	2689
Color Rendering Index (CRI)	>90



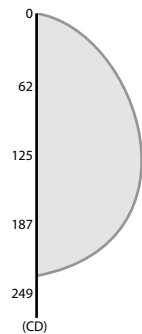
### Zonal Lumen Summary

Zone	Lumens	% of Luminaire
0-30	178	37%
0-40	280	58%
0-60	433	90%
0-90	480	100%
90-180	0	0%
0-180	480	100%

## DQR3 3000K



Luminaire	3000K
Input Voltage (VAC)	120
System Level Power (W)	8
Delivered Lumens (Lm)	499
System Efficacy (Lm/W)	63
Correlated Color Temp (K)	2984
Color Rendering Index (CRI)	>90



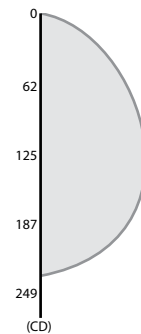
### Zonal Lumen Summary

Zone	Lumens	% of Luminaire
0-30	185	37%
0-40	292	58%
0-60	451	90%
0-90	499	100%
90-180	0	0%
0-180	499	100%

## DQR3 4000K



Luminaire	4000K
Input Voltage (VAC)	120
System Level Power (W)	8
Delivered Lumens (Lm)	499
System Efficacy (Lm/W)	63
Correlated Color Temp (K)	3991
Color Rendering Index (CRI)	>90



### Zonal Lumen Summary

Zone	Lumens	% of Luminaire
0-30	185	37%
0-40	292	58%
0-60	451	90%
0-90	499	100%
90-180	0	0%
0-180	499	100%