



SENCOR®

STS 30WH-NAA1 / STS 31GR-NAA1
STS 32BL-NAA1 / STS 33OR-NAA1
STS 34RD-NAA1 / STS 35VT-NAA1
STS 36YL-NAA1 / STS 37GG-NAA1
STS 38RS-NAA1 / STS 3XXX-NAA1

Before using this appliance, please read the user manual thoroughly, even if you are already familiar with using similar types of appliances. Use the appliance only as described in the user manual. Keep the user manual in a safe place where it will always be ready for future use.

We recommend saving the original cardboard box, packaging material, purchase receipt, vendor's responsibility statement and warranty card for at least the duration of the warranty. If the appliance is transported, we recommend packaging it in its original materials.

CONTENTS

IMPORTANT SAFEGUARDS	3
DESCRIPTION OF THE TOASTER.....	7
OPERATING THE TOASTER.....	7
MAINTENANCE AND CLEANING	9
TECHNICAL SPECIFICATIONS	9
INSTRUCTIONS AND INFORMATION ON DISPOSING OF USED PACKAGING MATERIALS.....	10
DISPOSAL OF USED ELECTRICAL AND ELECTRONIC APPLIANCES	10

IMPORTANT SAFEGUARDS

READ ALL INSTRUCTIONS

When using electrical appliances, basic safety precautions should always be followed including the following:

- Read all instructions before first use and save them for future reference.
- This appliance can be used by children 8 years old and over and by people with physical, sensory or mental impairments, or without experience or knowledge, if they are supervised or have been instructed on using the appliance safely and understand the hazards involved. Children must not perform cleaning and maintenance unless they are more than 8 years old and are supervised. Keep the appliance and its power cord out of the reach of children under 8 years old. Children must not play with the appliance.
- Before plugging the appliance in, make sure that the voltage indicated on the rating label matches the voltage of the power socket.



Warning!

This appliance has a polarized power plug (one wide prong) that reduces the risk of electric shock. The plug fits only one way into a polarized power socket. Do not defeat the safety purpose of the power plug by modifying it in any way or using an adaptor. If the power plug does not fit, reverse it. If it still does not fit, please consult a qualified electrician.

- The appliance is fitted with a short power cord as a safety precaution to prevent personal injury or property damage resulting from pulling, tripping over or tangling a longer cord.
- An extension cord may be used only if extra care is exercised. If an extension cord is used, the electrical rating marked on the

extension cord must be at least as high as the electrical rating of the appliance.

- The appliance is not intended to be operated with an external timer or separate remote-control system.
- This appliance is intended for household use only. Never use the appliance for purposes other than those intended.
- Do not place the appliance on or near an electric or gas stove, in a heated oven, or anywhere else where it may touch other heat sources.
- Always place and operate the appliance on a stable, dry, flat surface.
- Do not use the appliance in moving vehicles or boats. Do not use outdoors.
- Do not operate the appliance on a sink drain board.
- This appliance is intended for toasting bread, bagels or toaster pastries only. Do not add any ingredients (such as butter, jelly or marmalade) to the bread, bagel or any other item before toasting. Do not insert food packaging into the toaster. This may cause fire or injury.
- Always make sure the bread, bagel or toaster pastry fits in the toasting slots, does not protrude above the toasting slots, and is not too thick or long, because this may jam the toasting slot.



Warning!

Do not operate the appliance near curtains, cleaning wipes, wooden surfaces or other flammable materials, because the bread, bagel or toaster pastry may catch on fire.

- To ensure correct air circulation, keep a minimum of 6in (15cm) of space surrounding the sides of the appliance and 12in (30cm) above.
- Do not cover the toasting slots when the appliance is in operation. Covering the toasting slots will prevent correct air circulation and may cause a fire.

Toaster

STS 30WH-NAA1 / STS 31GR-NAA1 / STS 32BL-NAA1 / STS 33OR-NAA1 / STS 34RD-NAA1
STS 35VT-NAA1 / STS 36YL-NAA1 / STS 37GG-NAA1 / STS 38RS-NAA1 / STS 3XXX-NAA1

EN

- Do not operate the appliance with toast placed directly on top of the toasting slots. This can damage the appliance or cause fire or injury.
- Surfaces on the appliance may get hot while it is operating. The surfaces remain hot after operation. Do not touch hot surfaces. Use handles or knobs.
- Do not leave the toaster unattended when in use, because toast may get jammed in the toasting slots.
- If the bread gets jammed in the toaster, turn the appliance off and unplug it. Let the appliance cool down and then carefully remove the jammed item.



Warning!

- Do not insert a knife or any other metal utensil into the toasting slots to remove jammed items from the toaster. This can damage the appliance or cause personal injury.
- Do not use the appliance without its crumb tray in place. The crumb tray must be cleaned regularly so that crumbs do not accumulate. A fire can occur if the crumbs are not removed regularly.
- Always unplug the appliance when it is not in use, if you leave it unattended, intend to move it, or before cleaning or storing. Allow to cool before putting on or taking off parts.
- Let the appliance cool down before sliding the crumb tray out, and before moving, cleaning or storing.
- Store the appliance out of the reach of children.
- To protect against electrical shock do not immerse any part of the appliance in water or any other liquid.
- Do not unplug the appliance by pulling on the power cord. This may damage the power cord or power socket. Unplug the power cord by gently pulling the power plug.
- Do not place heavy items on the power cord. Make sure the power cord does not hang over the edge of a table, and that it does not touch hot surfaces.

Toaster

STS 30WH-NAA1 / STS 31GR-NAA1 / STS 32BL-NAA1 / STS 33OR-NAA1 / STS 34RD-NAA1
STS 35VF-NAA1 / STS 36YL-NAA1 / STS 37GG-NAA1 / STS 38RS-NAA1 / STS 3XXX-NAA1

- Do not use the appliance if it has a damaged power cord or plug. If the power cord or plug is damaged, have it replaced at a professional service center.
- Do not use the appliance if it has malfunctioned, if it has fallen on the floor, if it has been immersed in water, shows visible signs of damage, or has been damaged in any manner. Return appliance to the nearest authorized service facility for examination, repair, or adjustment.
- To prevent injury by electric shock, do not repair or modify the appliance yourself. All repairs should be made by an authorized service center. Tampering with the appliance voids warranty claims and legal rights due to unsatisfactory performance.
- Use of accessories not recommended by the manufacturer may cause fire, electric shock or injury.
- Before first use, the appliance must be started empty at least three times at the maximum browning level to remove any potential odors.
- Oversize foods, metal foil packages, or utensils must not be inserted in a toaster as they may involve a risk of fire or electric shock.
- A fire may occur if toasters are covered or touching flammable material, including curtains, draperies, walls, and the like, when in operation.
- Do not attempt to dislodge food when toaster is plugged in.

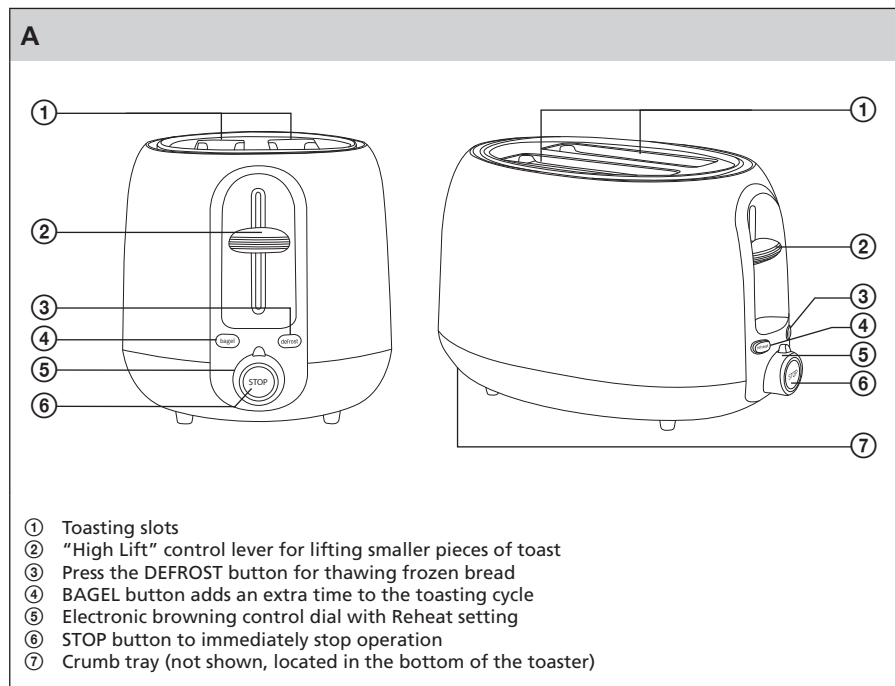
**THIS APPLIANCE IS INTENDED FOR
HOUSEHOLD USE ONLY.
SAVE THESE INSTRUCTIONS.**

Toaster

STS 30WH-NAA1 / STS 31GR-NAA1 / STS 32BL-NAA1 / STS 33OR-NAA1 / STS 34RD-NAA1
STS 35VT-NAA1 / STS 36YL-NAA1 / STS 37GG-NAA1 / STS 38RS-NAA1 / STS 3XXX-NAA1

EN

DESCRIPTION OF THE TOASTER



OPERATING THE TOASTER

- 1) Take the toaster and its accessories out of the packaging.
- 2) Plug the toaster in. Put a slice of bread, half a bagel or toaster pastry into each of the toasting slots A①. The item for toasting must be of the correct size, must not protrude above the toasting slots A①, and should not be too thick or long, because it may jam in the toasting slot A①.



Note:

Before first use it is recommended that the toaster be started empty at least three times at the maximum browning setting to remove any potential odors.

- 3) Set the browning level in the range from 1 to 6 (1 = lowest browning level, 6 = highest browning level) using the browning control dial A⑤. When the toaster is used for the first time, we recommend using the middle browning level. After first use, you can adjust the browning setting depending on the type of bread and your taste.
- 4) Push down the control lever A② to start the toasting process.

Toaster

STS 30WH-NAA1 / STS 31GR-NAA1 / STS 32BL-NAA1 / STS 33OR-NAA1 / STS 34RD-NAA1
STS 35VF-NAA1 / STS 36YL-NAA1 / STS 37GG-NAA1 / STS 38RS-NAA1 / STS 3XXX-NAA1



Note:

If the power cord is not plugged in, the control lever A② will not be locked in the lower position and the toaster cannot start the toasting process.

- 5) As soon as the toasting cycle is completed, the toaster will automatically raise the inserted bread, bagel or toaster pastry. Take the toast out of the toasting slots A①. After removing the toast from the toasting slots A①, you can toast another slice of bread, bagel or toaster pastry.



Note:

Toasting can be interrupted at any time by pressing the STOP button A⑥.

The control lever A② with the "High Lift" function makes it easier to take out smaller bread products. Lift the lever A② about 1in (2.5cm) above the initial position and take out the bread.

- 6) Always unplug the toaster after use and allow it to cool completely before further handling.

Defrosting function

- Put a slice of frozen bread into each of the toasting slots A① and set the desired browning level using the browning control dial A⑤. Push the control lever A② down until it is locked in the lower position. Press the DEFROST button A③ to toast frozen bread. The DEFROST button A③ will be on. The toaster will automatically eject the toast once the toasting process is completed.



Note:

Toasting can be interrupted at any time by pressing the STOP button A⑥.

Bagel function

- The bagel function adds extra time to the toasting cycle to toast bagels or thicker slices of bread. Insert half a bagel or thicker slice of bread into each of toasting slots A① and set the desired browning level using the browning control dial A⑤. Push the control lever A② down until it locks in position. Press the BAGEL button A④. The button A④ will be on. The toaster will automatically eject the bagel or toast once the toasting process is completed.



Note:

Toasting can be interrupted at any time by pressing the STOP button A⑥.

Toast reheat function

- This function lets you reheat the toast without toasting it more. Set the browning control dial A⑤ to the "REHEAT" 〰〰 position. Insert items to be toasted into the toasting slots A① and push the control lever A② down until it is locked in the lower position. The toaster will automatically eject the inserted toast once the toast reheating process is completed.



Note:

The toast reheating process can be interrupted at any time by pressing the STOP button A⑥.

Toaster

STS 30WH-NAA1 / STS 31GR-NAA1 / STS 32BL-NAA1 / STS 33OR-NAA1 / STS 34RD-NAA1
STS 35VT-NAA1 / STS 36YL-NAA1 / STS 37GG-NAA1 / STS 38RS-NAA1 / STS 3XXX-NAA1

EN

MAINTENANCE AND CLEANING

- Before cleaning, always unplug the toaster and allow it to cool off.
- To remove crumbs from the toaster, slide the crumb tray A⑦ out and empty it. Put the crumb tray A⑦ back in place. Clean the crumb tray A⑦ after each use. Make sure that crumbs do not build up in the crumb tray A⑦, because this may cause a fire. To remove crumbs from inside the toaster, turn the toaster upside down and shake the crumbs out over a wastebasket.
- Wipe the outside parts of the toaster with a dry or slightly damp cloth and then wipe dry. Make sure that water and moisture do not enter the toaster.
- Do not use abrasive or caustic cleaners when cleaning the toaster. Do not use metal scouring pads. Pieces of metal can break off the pad and touch electrical parts, creating an electric shock hazard.
- To prevent potential injury by electric shock, do not immerse any part of the toaster in water or any other liquid.

TECHNICAL SPECIFICATIONS

Nominal voltage.....	120V
Nominal frequency.....	60Hz
Rated power.....	800W

We reserve the right to change text and technical specifications.

INSTRUCTIONS AND INFORMATION ON DISPOSING OF USED PACKAGING MATERIALS

Dispose of packaging material at a public waste disposal site.

DISPOSAL OF USED ELECTRICAL AND ELECTRONIC APPLIANCES



This symbol on the product, its accessories or packaging indicates that the product should not be treated as household waste. Please dispose of this product at a facility for recycling electrical and electronic equipment. Alternatively, in some European countries you may return your product to your local retailer when buying an equivalent new product. Disposing of this product correctly helps conserve valuable natural resources. It also prevents the negative impact on the environment and human health that improper waste disposal may cause. Please ask your local authorities or the nearest waste collection center for further details. Improper disposal of this type of waste may be subject to fines.

For business entities in the European Union

If you wish to dispose of an electrical or electronic device, request the necessary information from your seller or supplier.

Disposal in countries outside the European Union

If you wish to dispose of an electrical or electronic device, request the necessary information from your seller or supplier.

Tostadora

Manual del usuario

ES



SENCOR®

STS 30WH-NAA1 / STS 31GR-NAA1
STS 32BL-NAA1 / STS 33OR-NAA1
STS 34RD-NAA1 / STS 35VT-NAA1
STS 36YL-NAA1 / STS 37GG-NAA1
STS 38RS-NAA1 / STS 3XXX-NAA1

Antes de usar este aparato, por favor lea el manual del usuario minuciosamente, incluso si ya está familiarizado con el uso de aparatos similares. Sólo use el aparato como se describe en el manual de usuario. Conserve el manual del usuario en un lugar seguro donde siempre esté listo para uso futuro. Le recomendamos conservar la caja de cartón de embarque, material de empaque, recibo de compra, declaración de responsabilidad del vendedor y tarjeta de garantía originales por lo menos durante la garantía. Si se transporta el aparato, le recomendamos empacarlo en sus materiales originales.

CONTENIDO

PROTECCIONES IMPORTANTES	3
DESCRIPCIÓN DE LA TOSTADORA	7
OPERACIÓN DE LA TOSTADORA	7
MANTENIMIENTO Y LIMPIEZA	9
ESPECIFICACIONES TÉCNICAS	9
INSTRUCCIONES E INFORMACIÓN RESPECTO AL DESECHO DE MATERIALES DE EMPAQUE USADOS ..	10
DESECHO DE APARATOS ELÉCTRICOS Y ELECTRÓNICOS USADOS	10

PROTECCIONES IMPORTANTES

LEA TODAS LAS INSTRUCCIONES

Cuando use aparatos eléctricos, siempre siga las precauciones de seguridad básicas incluyendo las siguientes:

- Lea todas las instrucciones antes del primer uso y guárdelas para referencia futura.
- Este aparato puede ser usado por niños de 8 años y mayores y por personas con capacidades físicas, sensoriales o mentales reducidas o sin experiencia y conocimiento si se les proporciona supervisión o instrucciones respecto al uso del aparato de una manera segura y entienden los peligros involucrados. La limpieza y el mantenimiento por el usuario no deben ser realizados por niños a menos que sean mayores de 8 años y estén supervisados. Conserve el aparato y su cable eléctrico fuera del alcance de niños menores a 8 años. Los niños no deberán jugar con el aparato.
- Antes de conectar el aparato, asegúrese que el voltaje indicado en la etiqueta de clasificación concuerde con el voltaje del tomacorriente.



¡Advertencia!

Este aparato tiene un enchufe polarizado (una lengüeta ancha) que reduce el riesgo de descarga eléctrica. El enchufe se adapta sólo de una manera en el tomacorriente polarizado. No elimine el propósito de seguridad del enchufe modificándolo de cualquier forma o por medio de un adaptador. Si el enchufe no se ajusta, inviértalo. Si todavía no se adapta, por favor consulte a un electricista calificado.

- El aparato está equipado con un cable eléctrico corto como precaución de seguridad para evitar lesiones personales o daño a la propiedad resultante de jalar, tropezarse o enredarse con un cable más largo.

Tostadora

STS 30WH-NAA1 / STS 31GR-NAA1 / STS 32BL-NAA1 / STS 33OR-NAA1 / STS 34RD-NAA1
STS 35VF-NAA1 / STS 36YL-NAA1 / STS 37GG-NAA1 / STS 38RS-NAA1 / STS 3XXX-NAA1

- Se puede usar un cable de extensión sólo si se tiene cuidado adicional. Si se usa un cable de extensión, la clasificación eléctrica marcada del cable de extensión debe ser por lo menos tanta como la clasificación eléctrica del aparato.
- No se pretende que el aparato sea usado por medio de un temporizador externo o sistema de control remoto separado.
- Este aparato está diseñado para uso doméstico únicamente. No use el aparato para ningún otro propósito a su uso pretendido.
- No coloque el aparato sobre o cerca de una estufa eléctrica o de gas, en un horno caliente, o donde pueda tocar otras fuentes de calor.
- Siempre coloque y opere el aparato sobre una superficie estable, seca y plana.
- No use el aparato en vehículos o embarcaciones en movimiento. No lo use en exteriores.
- No opere el aparato sobre una tabla de drenaje de tarja.
- Este aparato está diseñado para tostar pan, bagels o pasteles para tostador únicamente. No agregue ningún ingrediente (tal como mantequilla, jalea o mermelada) al pan, bagel o cualquier otra elemento antes de tostar o inserte el empaque del alimento en la tostadora. Esto puede causar un incendio o lesiones.
- Siempre asegúrese que el pan, bagel o pastel para tostadora quepa en las ranuras de tostado y no sobresalga arriba de éstas o no sea demasiado grueso o largo ya que puede atascarse en la ranura de tostado.



¡Advertencia!

No opere el aparato cerca de cortinas, toallas, superficies de manera y otros materiales inflamables, ya que el pan, bagel o pastel para tostadora puede incendiarse.

- Para asegurar la circulación de aire correcta, mantenga una distancia mínima de 6 pulg. (15 cm) de espacio alrededor del aparato y 12 pulg. (30 cm) arriba.
- No cubra las ranuras de tostado cuando el aparato esté en operación. Cubrir las ranuras de tostado evitará la circulación de aire correcta y puede causar un incendio.

Tostadora

STS 30WH-NAA1 / STS 31GR-NAA1 / STS 32BL-NAA1 / STS 33OR-NAA1 / STS 34RD-NAA1
STS 35VT-NAA1 / STS 36YL-NAA1 / STS 37GG-NAA1 / STS 38RS-NAA1 / STS 3XXX-NAA1

ES

- No opere el aparato con una tostada colocada directamente sobre las ranuras de tostado. Esto puede dañar el aparato o causar un incendio o lesiones.
- La temperatura de las superficies a las que se puede tener acceso puede ser mayor cuando el aparato está en operación. Las superficies permanecen calientes después de la operación. No toque las superficies calientes. Use las manijas o perillas.
- No deje la tostadora desatendida cuando esté en uso ya que la tostada puede atorarse en las ranuras de tostado.
- Si el pan se atora en la tostadora, apague el aparato y desconecte el enchufe del tomacorriente. Permita que el aparato se enfríe y después retire el elemento atorado.



¡Advertencia!

No inserte un cuchillo o ningún otro utensilio de metal en las ranuras de tostado para retirar la tostada, bagel u otro pastel para tostadora atorado de la tostadora. Esto puede dañar el aparato o causar lesiones personales.

- No use el aparato sin la charola para migajas en su lugar. La charola para migajas se debe limpiar regularmente de forma que no se acumulen migajas en ella. Puede ocurrir un incendio si las migajas no se retiran regularmente.
- Siempre desconecte el aparato del tomacorriente cuando no esté en uso, si lo deja desatendido, antes de intentar moverlo, antes de limpiarlo y almacenarlo. Permita que se enfríe antes de poner o quitar partes.
- Permita que el aparato se enfríe antes de deslizar la charola para migajas hacia afuera así como antes de moverlo, limpiarlo o guardarlo.
- Guarde el aparato fuera del alcance de los niños.
- To protect against electrical shock no sumerja ninguna parte del aparato en agua o ningún otro líquido.
- No desconecte el aparato jalando el cable eléctrico. Esto puede dañar el cable eléctrico o el tomacorriente. Desconecte el cable eléctrico jalando suavemente el enchufe.

Tostadora

STS 30WH-NAA1 / STS 31GR-NAA1 / STS 32BL-NAA1 / STS 33OR-NAA1 / STS 34RD-NAA1
STS 35VF-NAA1 / STS 36YL-NAA1 / STS 37GG-NAA1 / STS 38RS-NAA1 / STS 3XXX-NAA1

- No coloque artículos pesados sobre el cable eléctrico. Asegúrese que el cable eléctrico no cuelgue sobre el borde de una mesa y que no toque superficies calientes.
- No use el aparato si tiene un cable eléctrico o enchufe dañado. Si el cable eléctrico o el enchufe están dañados, pida que lo reemplace un centro de servicio profesional.
- No use el aparato si ocurren fallas, si cayó al piso, si se sumergió en agua, o si tiene señales visibles de daño, o se ha dañado en cualquier manera. Regrese el aparato a la instalación de servicio más cercana para revisión, reparación, o ajuste.
- Para evitar lesiones por descarga eléctrica, no repare o modifique el aparato usted mismo. Todas las reparaciones deben ser realizadas por un centro de servicio autorizado. Manipular el aparato anula los reclamos de garantía y derechos legales debido al desempeño insatisfactorio.
- El uso de accesorios no recomendados por el fabricante puede causar incendios, descarga eléctrica o lesiones.
- Antes de usar el aparato por primera vez debe usarse vacío por lo menos tres veces para que el nivel máximo de dorado retire cualquier olor potencial.
- No se deben insertar alimentos de tamaño excesivo, paquetes con lámina de metal, o utensilios en una tostadora ya que pueden presentar riesgo de incendio o descarga eléctrica.
- Puede ocurrir un incendio si se cubre la tostadora o toca materiales inflamables, incluyendo cortinas, tapices, paredes, y similares, cuando esté en operación.
- No intente desatorar los alimentos cuando la tostadora esté conectada.

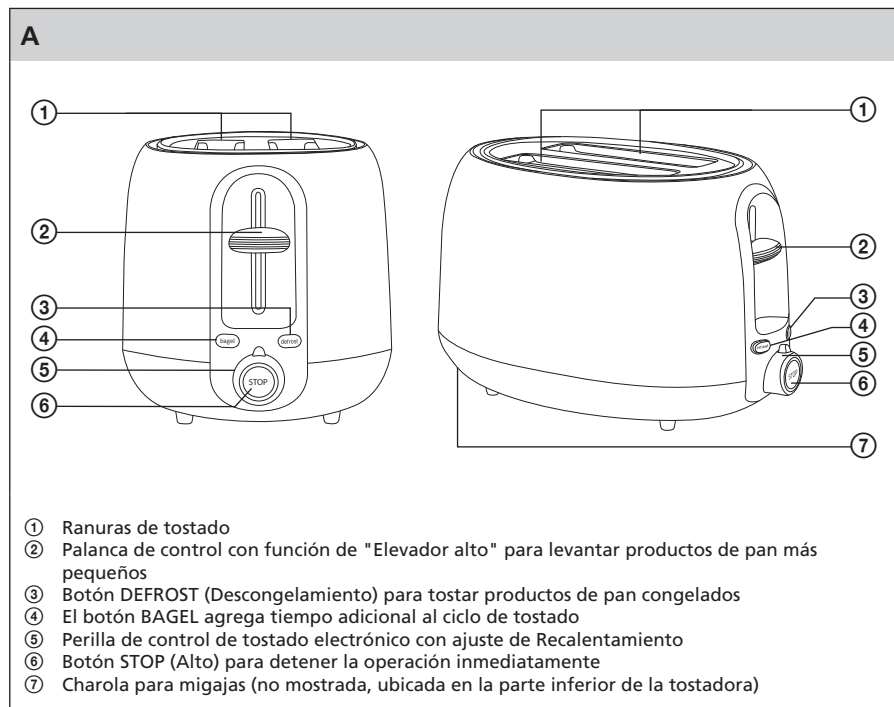
**ESTE APARATO ESTÁ DISEÑADO
PARA USO DOMÉSTICO ÚNICAMENTE.
CONSERVE ESTAS INSTRUCCIONES**

Tostadora

STS 30WH-NAA1 / STS 31GR-NAA1 / STS 32BL-NAA1 / STS 33OR-NAA1 / STS 34RD-NAA1
STS 35VT-NAA1 / STS 36YL-NAA1 / STS 37GG-NAA1 / STS 38RS-NAA1 / STS 3XXX-NAA1

ES

DESCRIPCIÓN DE LA TOSTADORA



OPERACIÓN DE LA TOSTADORA

- 1) Retire la tostadora y sus accesorios del material de empaque.
- 2) Conecte la tostadora al tomacorriente. Coloque una rebanada de pan, la mitad de un bagel o pastel para tostadora en cada una de las ranuras para tostar A①. El artículo para tostar debe ser del tamaño correcto y no debe sobresalir de las ranuras de tostado A① y no debe ser demasiado grueso o largo de forma que se pueda atorar en la ranura de tostado A①.



Nota:

Antes del primer uso se recomienda que la tostadora se encienda vacía por lo menos tres veces en el nivel máximo de dorado para retirar cualquier olor potencial.

- 3) Ajuste el nivel de dorado en el rango de 1 a 6 (1 – menor nivel de dorado, 6 – mayor nivel de dorado) con la perilla de control de dorado A⑤. Cuando la tostadora se use por primera vez, recomendamos ajustar el nivel de dorado medio. Después del primer uso, puede ajustar el nivel de dorado dependiendo del tipo de pan o su gusto.
- 4) Empuje hacia abajo la palanca de control A② para iniciar el proceso de tostado.

Tostadora

STS 30WH-NAA1 / STS 31GR-NAA1 / STS 32BL-NAA1 / STS 33OR-NAA1 / STS 34RD-NAA1
STS 35VF-NAA1 / STS 36YL-NAA1 / STS 37GG-NAA1 / STS 38RS-NAA1 / STS 3XXX-NAA1



Nota:

Si el cable eléctrico no está conectado al tomacorriente, la palanca de control A② no se bloqueará en la posición inferior y la tostadora no puede comenzar el proceso de tostado.

- 5) Tan pronto como se complete el ciclo de tostado, la tostadora levantará automáticamente el pan, bagel o pastel para tostadora insertado. Retire las tostadas de las ranuras de tostado A①. Después de retirar las tostadas de las ranuras de tostado A① puede tostar otra rebanada de pan, bagel o pastel para tostadora.



Nota:

El proceso de tostado se puede interrumpir en cualquier momento al presionar el botón STOP A⑥. La palanca de control A② con la función de "Elevación alta" facilita retirar productos de pan más pequeños. Levante la palanca A② aprox. 1 pulg. (2.5 cm) arriba de la posición inicial y retire el producto de pan.

- 6) Siempre desconecte la tostadora del tomacorriente después del uso y permita que se enfríe completamente antes de la manipulación adicional.

Función de descongelamiento

- Coloque una rebanada de pan congelado en cada una de las ranuras de tostado A① y ajuste el nivel de dorado deseado con la perilla de control de dorado A⑤. Empuje la palanca de control A② hacia abajo hasta que se bloquee en la posición inferior. Presione el botón DEFROST A③ para tostar el pan congelado. El botón DEFROST A③ se encenderá. La tostadora expulsará automáticamente la tostada una vez que se complete el proceso de tostado.



Nota:

El proceso de tostado se puede interrumpir en cualquier momento al presionar el botón STOP A⑥.

Función de Bagel

- La función de bagel agrega un tiempo adicional al ciclo de tostado para tostar bagels o rebanadas de pan más gruesas. Inserte la mita de un bagel o una rebanada de pan más gruesa en cada una de las ranuras de tostado A① y ajuste el nivel de dorado deseado con la perilla de control de dorado A⑤. Empuje la palanca de control A② hacia abajo hasta que se bloquee en su posición. Presione el botón BAGEL A④. El botón A④ se encenderá. La tostadora expulsará automáticamente el bagel o la tostada una vez que se complete el proceso de tostado.



Nota:

El proceso de tostado se puede interrumpir en cualquier momento al presionar el botón STOP A⑥.

Función de recalentamiento de tostada

- Esta función hace posible recalentar la tostada sin volver a tostarla. Ajuste la perilla de control de dorado A⑤ en la posición ∞ "REHEAT". Inserte las tostadas en las ranuras de tostado A① y empuje la palanca de control A② hacia abajo hasta que se bloquee en la posición inferior. La tostadora expulsará automáticamente las tostadas insertadas una vez que se complete el proceso de recalentamiento.



Nota:

El proceso de recalentamiento de la tostada se puede interrumpir en cualquier momento al presionar el botón STOP A⑥.

Tostadora

STS 30WH-NAA1 / STS 31GR-NAA1 / STS 32BL-NAA1 / STS 33OR-NAA1 / STS 34RD-NAA1
STS 35VT-NAA1 / STS 36YL-NAA1 / STS 37GG-NAA1 / STS 38RS-NAA1 / STS 3XXX-NAA1

ES

MANTENIMIENTO Y LIMPIEZA

- Antes de limpiar siempre desconecte la tostadora del tomacorriente y permita que se enfríe.
- Para retirar cualquier migaja de la tostadora, deslice la charola de migajas AⓈ hacia afuera y vacíela. Coloque la charola de migajas AⓈ de nuevo en su lugar. Limpie la charola de migajas AⓈ después de cada uso. Asegúrese que las migajas no se acumulen en la charola para migajas AⓈ ya que pueden causar un incendio. Para retirar las migajas del interior de la tostadora, voltee la tostadora y sacuda las migajas arriba de un recipiente para basura.
- Limpie las partes exteriores de la tostadora con una tela seca o ligeramente húmeda y después séquela. Asegúrese que no se introduzca agua o humedad en el interior de la tostadora.
- No use limpiadores abrasivos o cáusticos cuando limpie la tostadora. No use almohadillas de limpieza de metal. Las piezas de metal se pueden romper y tocar partes eléctricas creando un riesgo de descarga eléctrica.
- Para evitar lesiones potenciales por descarga eléctrica, no sumerja ninguna parte de la tostadora en agua o cualquier otro líquido.

ESPECIFICACIONES TÉCNICAS

Voltaje nominal	120 V
Frecuencia nominal	60 Hz
Potencia nominal	800 W

Nos reservamos el derecho de cambiar el texto y las especificaciones técnicas.

INSTRUCCIONES E INFORMACIÓN RESPECTO AL DESECHO DE MATERIALES DE EMPAQUE USADOS

Deseche el material de empaque en un sitio de desecho de desperdicios públicos.

DESECHO DE APARATOS ELÉCTRICOS Y ELECTRÓNICOS USADOS



El significado del símbolo en el producto, sus accesorios o el empaque indica que este producto no se deberá tratar como desperdicio doméstico. Por favor, deseche este producto en su punto de recolección aplicable para reciclaje de desecho de equipo eléctrico y electrónico. De manera alterna en algunos estados de la Unión Europea u otros estados de Europa puede regresar sus productos al minorista local cuando adquiera un producto nuevo equivalente. El desecho correcto de este producto ayudará a conservar recursos naturales valiosos y ayudará a evitar el impacto negativo potencial en el ambiente y la salud humana, que podrían resultar a partir del desecho inadecuado de desperdicios. Por favor solicite a sus autoridades locales o el centro de recolección de desperdicio más cercano respecto a detalles adicionales. El desecho inadecuado de este tipo de desperdicio puede estar sujeto a regulaciones nacionales para multas.

Para entidades de negocios en la Unión Europea

Si desea desechar un dispositivo eléctrico o electrónico, solicite la información necesaria a partir de su vendedor o proveedor.

Desecho en otros países fuera de la Unión Europea

Si desea desechar este producto, solicite la información necesaria sobre el método de desecho correcto a partir de los departamentos gubernamentales locales o de su vendedor.

Grille-pain

Manuel d'utilisation

FR



SENCOR®

STS 30WH-NAA1 / STS 31GR-NAA1
STS 32BL-NAA1 / STS 33OR-NAA1
STS 34RD-NAA1 / STS 35VT-NAA1
STS 36YL-NAA1 / STS 37GG-NAA1
STS 38RS-NAA1 / STS 3XXX-NAA1

Avant d'utiliser cet appareil, veuillez lire entièrement le manuel d'utilisation, même si vous savez déjà vous servir d'appareils similaires. Utilisez uniquement l'appareil tel que décrit dans le manuel d'utilisation. Rangez le manuel en lieu sûr et à portée de main pour une utilisation ultérieure.

Nous vous recommandons de conserver le carton d'origine, le matériau d'emballage, le reçu d'achat et la déclaration de responsabilité du vendeur, ainsi que la carte de garantie pendant au moins la durée de la garantie. Si vous souhaitez transporter l'appareil, nous vous recommandons de l'emballer dans son emballage d'origine.

TABLE DES MATIÈRES

MESURES DE PROTECTION IMPORTANTES	3
DESCRIPTION DU GRILLE-PAIN	8
FONCTIONNEMENT DU GRILLE-PAIN	8
ENTRETIEN ET NETTOYAGE	10
CARACTÉRISTIQUES TECHNIQUES	10
INSTRUCTIONS ET INFORMATIONS RELATIVES À LA MISE AU REBUT DES MATÉRIAUX D'EMBALLAGE UTILISÉS	11
MISE AU REBUT DES APPAREILS ÉLECTRIQUES ET ÉLECTRONIQUES USAGÉS	11

MESURES DE PROTECTION IMPORTANTES

LISEZ TOUTES LES INSTRUCTIONS

Lorsque vous utilisez des appareils électriques, respectez toujours les consignes de sécurité élémentaires, dont les suivantes :

- Lisez toutes les instructions du manuel d'utilisation et conservez-les pour référence ultérieure.
- Cet appareil peut être utilisé par les enfants âgés d'au moins 8 ans et par des personnes dont les capacités physiques, sensorielles ou mentales sont réduites ou qui manquent d'expérience et de connaissance, s'ils sont supervisés ou ont été formés sur la façon d'utiliser l'appareil en toute sécurité, et comprennent les dangers potentiels. Les travaux de nettoyage et d'entretien ne doivent être confiés aux enfants que lorsqu'ils sont âgés d'au moins 8 ans et sous surveillance. Conservez cet appareil et son cordon d'alimentation hors de la portée des enfants de moins de 8 ans. Ne laissez pas les enfants jouer avec l'appareil.
- Avant de brancher l'appareil, assurez-vous que la tension de la prise d'alimentation correspond à celle indiquée sur la plaque signalétique de celui-ci.



Avertissement !

Cet appareil est équipé d'une fiche polarisée (une grande broche) qui réduit les risques d'électrocution. La fiche se fixe d'une seule façon dans une prise d'alimentation polarisée. Évitez de détériorer la sécurité de la fiche en la modifiant de quelque façon que ce soit ou en utilisant un adaptateur. Si la fiche ne rentre pas dans la prise, essayez à nouveau dans le sens inverse de celle-ci. Si elle ne rentre toujours pas, veuillez consulter un technicien qualifié.

- Cet appareil est doté d'un cordon d'alimentation court garantissant la sécurité et permettant d'éviter des blessures

physiques ou des dommages aux biens dus au fait de tirer, vous empêtrer ou trébucher sur un cordon plus long.

- Des précautions particulières doivent être prises en cas d'utilisation d'une rallonge.
- En cas d'utilisation d'une rallonge, assurez-vous que sa puissance nominale est au moins aussi élevée que la puissance électrique de l'appareil.
- Cet appareil n'est pas conçu pour être utilisé avec un minuteur externe ou un système de télécommande séparé.
- Cet appareil est conçu pour un usage exclusivement domestique. N'utilisez pas l'appareil à des fins autres que celles prévues.
- Ne placez pas l'appareil au-dessus ou à proximité d'une cuisinière électrique ou à gaz, sur un four chauffé, ou dans un emplacement à partir duquel il serait exposé à d'autres sources de chaleur.
- Placez et utilisez toujours cet appareil sur une surface stable, sèche et plane.
- Ne l'utilisez pas dans des véhicules ou des bateaux en mouvement. Ne l'utilisez pas à l'extérieur.
- N'utilisez pas cet appareil sur un évier.
- Cet appareil a été exclusivement conçu pour faire griller des tranches de pain, des bagels ou des tartines. N'ajoutez aucun autre ingrédient (tels que du beurre, de la gelée ou de la marmelade) sur le pain, le bagel ou tout autre aliment avant de les griller ou n'insérez pas d'emballage d'aliments dans votre grille-pain. Cela pourrait provoquer un incendie ou des blessures.
- Assurez-vous toujours que le pain, le bagel ou les tartines s'insèrent bien dans les fentes de grillage et ne sont pas disposés en saillie au-dessus de celles-ci, ou que ces aliments ne sont pas trop épais, trop long, car ils pourraient bloquer les fentes.



Avertissement !

N'utilisez pas cet appareil à proximité de rideaux, de torchons, de surfaces en bois ou d'autres matériaux inflammables, car le pain, le bagel ou les tartines pourraient s'enflammer.

Grille-pain

STS 30WH-NAA1 / STS 31GR-NAA1 / STS 32BL-NAA1 / STS 33OR-NAA1 / STS 34RD-NAA1
STS 35VT-NAA1 / STS 36YL-NAA1 / STS 37GG-NAA1 / STS 38RS-NAA1 / STS 3XXX-NAA1

FR

- Pour vous assurer que l'air circule normalement, laissez un espace minimal de 6 po (15 cm) de part et d'autre de l'appareil, et de 12 po (30 cm) au-dessus.
- N'obstruez pas les fentes de grillage lorsque l'appareil est en fonctionnement. Toute obstruction de ces fentes perturbe la circulation de l'air et peut causer un incendie.
- Ne mettez pas l'appareil en marche avec du pain placé immédiatement au-dessus des fentes de grillage. Ceci pourrait endommager l'appareil ou provoquer des blessures ou un incendie.
- La température des surfaces accessibles peut être élevée lorsque l'appareil fonctionne. Celles-ci restent chaudes même après utilisation. Évitez de toucher les surfaces chaudes. Utilisez des poignées ou des boutons.
- Ne laissez pas le grille-pain sans surveillance lorsqu'il est en fonctionnement, car le pain grillé pourrait rester coincé dans les fentes.
- Si le pain grillé reste coincé dans les fentes, arrêtez le grille-pain et déconnectez la fiche d'alimentation de la prise. Laissez l'appareil refroidir quelques instants, puis retirez soigneusement le pain coincé.



Avertissement !

- N'insérez pas de couteaux ou d'autres ustensiles métalliques dans les fentes de votre appareil pour retirer le pain, le bagel ou les tartines coincés. Ceci pourrait endommager l'appareil ou provoquer des blessures corporelles.
- Évitez d'utiliser l'appareil sans placer de plateau de collecte de miettes. Videz régulièrement ce plateau afin d'éviter l'accumulation des miettes. Dans le cas contraire, les miettes accumulées pourraient provoquer un incendie.
- Déconnectez toujours l'appareil de la prise lorsqu'il n'est pas utilisé, lorsqu'il n'est pas surveillé, avant de le déplacer, de le nettoyer ou de le ranger. Attendez que l'appareil refroidisse avant de mettre ou de retirer les pièces.

- Laissez l'appareil refroidir avant de retirer le plateau de collecte de miettes ou avant de le déplacer, de le nettoyer ou de le ranger.
- Rangez l'appareil hors de portée des enfants.
- Pour éviter tout risque de choc électrique, ne plongez pas l'appareil, ni aucune de ses parties dans de l'eau ou dans tout autre liquide.
- Évitez de tirer sur le cordon d'alimentation lorsque vous débranchez l'appareil de la prise. Cela pourrait endommager le cordon ou la prise. Débranchez le cordon d'alimentation en le tirant délicatement.
- Ne placez pas d'objets lourds sur le cordon d'alimentation. Assurez-vous que le cordon d'alimentation ne pende pas sur le bord d'une table et qu'il ne touche pas les surfaces chaudes.
- N'utilisez pas l'appareil lorsque le cordon d'alimentation ou la fiche est endommagé(e). Si le cordon d'alimentation ou la prise est endommagé(e), faites-les remplacer dans un centre de maintenance professionnel.
- N'utilisez pas l'appareil lorsqu'il présente des dysfonctionnements, lorsqu'il a été renversé, lorsqu'il a été plongé dans de l'eau, ou en cas de dommage visible, ou si l'appareil a été endommagé d'une manière quelconque. Retournez l'appareil au centre de service agréé le plus proche pour toute opération de vérification, de réparation ou de réglage.
- Pour éviter tout risque d'électrocution, n'essayez pas de réparer l'appareil de vous-même ou de le modifier. Toutes les réparations doivent être effectuées par un service de maintenance agréé. Toute modification des caractéristiques techniques de l'appareil annule sa garantie ainsi que tous les autres avantages en cas de performance insatisfaisante.
- L'utilisation d'accessoires non recommandés par le fabricant pourrait causer un incendie, une électrocution ou des blessures.
- Avant la première utilisation, démarrez l'appareil à vide au moins trois fois au niveau maximum de grillage, afin d'éliminer les odeurs éventuelles.

Grille-pain

STS 30WH-NAA1 / STS 31GR-NAA1 / STS 32BL-NAA1 / STS 33OR-NAA1 / STS 34RD-NAA1
STS 35VT-NAA1 / STS 36YL-NAA1 / STS 37GG-NAA1 / STS 38RS-NAA1 / STS 3XXX-NAA1

FR

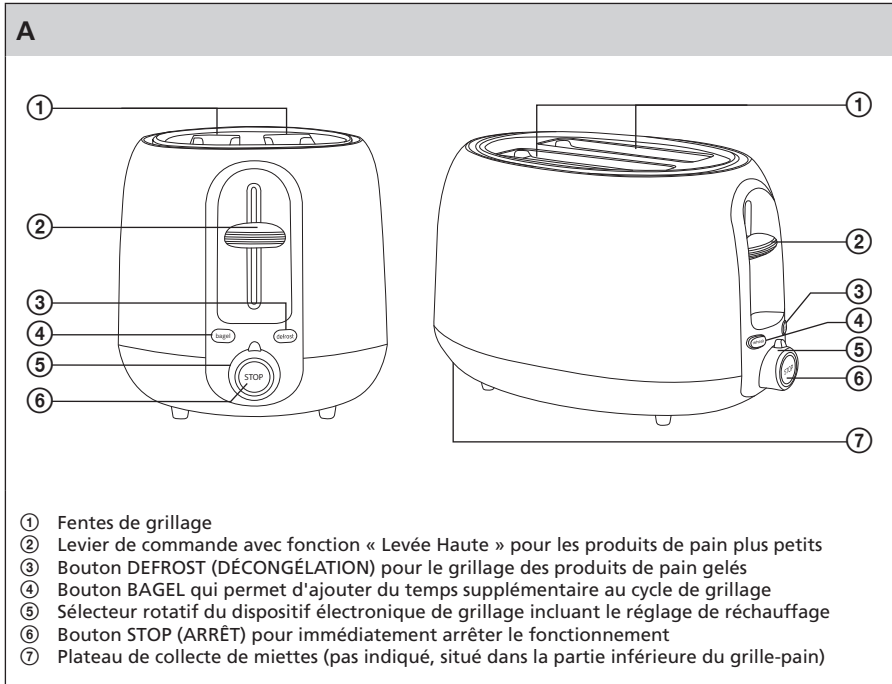
- Évitez d'insérer des aliments surdimensionnés, des emballages en feuille de métal ou des ustensiles dans le grille-pain ; sinon cela peut causer des risques d'incendie ou de choc électrique.
- Évitez de couvrir le grille-pain ou qu'il n'entre en contact avec des matières inflammables, tels que les rideaux, draperies, murs ou toute matière similaire. Sinon, cela peut causer un incendie.
- N'essayez pas de retirer des aliments coincés lorsque le grille-pain est branché

**CET APPAREIL A ÉTÉ CONÇU POUR UN
USAGE EXCLUSIVEMENT DOMESTIQUE.
GARDEZ CES INSTRUCTIONS**

Grille-pain

STS 30WH-NAA1 / STS 31GR-NAA1 / STS 32BL-NAA1 / STS 33OR-NAA1 / STS 34RD-NAA1
STS 35VF-NAA1 / STS 36YL-NAA1 / STS 37GG-NAA1 / STS 38RS-NAA1 / STS 3XXX-NAA1

DESCRIPTION DU GRILLE-PAIN



FONCTIONNEMENT DU GRILLE-PAIN

- 1) Retirez l'appareil et ses accessoires de l'emballage.
- 2) Branchez le grille-pain à une prise de courant. Placez une tranche de pain, un demi-bagel ou une tranche de tartine dans chacune des fentes de grillage A①. L'aliment à griller doit être de taille appropriée et ne doit pas être disposé en saillie au-dessus des fentes de grillage A①. Il ne doit pas être trop épais ou trop long, au risque de rester coincé dans la fente A①.



Remarque :

Avant la première utilisation, il est recommandé de démarrer le grille-pain à vide au moins trois fois au niveau maximal de grillage afin d'éliminer toute odeur éventuelle.

- 3) Réglez le niveau de grillage dans la plage comprise entre 1 et 6 (1 – le niveau de grillage minimum, 6 – le niveau de grillage maximum) à l'aide du sélecteur rotatif de niveau de grillage A⑤. Lorsque vous utilisez le grille-pain pour la première fois, nous vous recommandons de sélectionner un niveau de grillage moyen. Après la première utilisation, vous pouvez choisir un niveau de grillage différent en fonction du type de pain et de votre goût.
- 4) Abaissez le levier de commande A② pour commencer la grillade.

Grille-pain

STS 30WH-NAA1 / STS 31GR-NAA1 / STS 32BL-NAA1 / STS 33OR-NAA1 / STS 34RD-NAA1
STS 35VT-NAA1 / STS 36YL-NAA1 / STS 37GG-NAA1 / STS 38RS-NAA1 / STS 3XXX-NAA1

FR



Remarque :

Si le cordon d'alimentation n'est pas connecté à une prise, le levier de commande A② ne se verrouille pas à la position inférieure et l'appareil n'est pas mis en marche.

- 5) À la fin du cycle de grillage, le grille-pain relève automatiquement le morceau de pain, de bagel ou de tartine inséré. Retirez les aliments grillés des fentes de grillage A①. Après avoir retiré le pain grillé des fentes de grillage A①, vous pouvez mettre à griller un autre morceau de pain, de bagel ou de tartine.



Remarque :

Le processus de grillage peut être interrompu à tout moment en appuyant sur le bouton STOP (ARRÊT) A⑥.

Le levier de commande A②, avec la fonction « haute levée »; facilite le retrait de plus petites tranches de pain. Relevez le levier A② d'environ 1 po (2,5 cm) au-dessus de la position initiale et retirez le pain grillé.

- 6) Après utilisation, débranchez toujours le grille-pain de la prise de courant et laissez-le refroidir complètement avant de le manipuler à nouveau.

Fonction Décongélation

- Placez des tranches de pain congelé dans chacune des fentes de grillage A① et sélectionnez le niveau de grillage souhaité à l'aide du sélecteur rotatif A⑤. Abaissez le levier de commande A② jusqu'à ce qu'il soit verrouillé à la position inférieure. Appuyez sur le bouton DEFROST (DÉCONGÉLATION) A③ pour griller le pain congelé. Le bouton DEFROST (DÉCONGÉLATION) A③ s'allume. Le grille-pain éjecte automatiquement les tranches de pain insérées à l'issue du grillage.



Remarque :

Le processus de grillage peut être interrompu à tout moment en appuyant sur le bouton STOP (ARRÊT) A⑥.

Fonction Bagel

- La fonction Bagel permet d'ajouter du temps supplémentaire au cycle de grillage pour le grillage des bagels ou de tranches de pain plus épaisses. Insérez une moitié de bagel ou de tranche de pain épaisse dans chaque fente de grillage A① et sélectionnez le niveau de grillage souhaité à l'aide du sélecteur rotatif A⑤. Abaissez le levier de commande A② jusqu'à ce qu'il soit verrouillé. Appuyez sur le bouton BAGEL A④. Ce bouton A④ s'allume. Le grille-pain éjecte automatiquement les morceaux de bagel insérés à l'issue du grillage.



Remarque :

Le processus de grillage peut être interrompu à tout moment en appuyant sur le bouton STOP (ARRÊT) A⑥.

Fonction de réchauffage du pain grillé

- Cette fonction permet de réchauffer les pains grillés sans grillage supplémentaire. Réglez le sélecteur rotatif de niveau de grillage A⑤ à la position « Réchauffage » ☺☺☺. Insérez les tranches de pain dans les fentes de grillage A① et abaissez le levier de commande A② jusqu'à ce qu'il soit verrouillé à la position inférieure. Le grille-pain éjecte automatiquement les tranches de pain insérées à l'issue du réchauffage.



Remarque :

Le processus de réchauffage du pain grillé peut être interrompu à tout moment en appuyant sur le bouton STOP (ARRÊT) A⑥.

ENTRETIEN ET NETTOYAGE

- Avant toute opération de nettoyage, débranchez le grille-pain de la prise de courant et laissez-le refroidir.
- Pour retirer les miettes du grille-pain, poussez le plateau de collecte de miettes A⑦ vers l'extérieur et videz-le. Remettez le plateau A⑦ à en place. Nettoyez le plateau de collecte de miettes A⑦ après chaque utilisation de votre appareil. Assurez-vous que les miettes ne s'accumulent pas dans le plateau A⑦, car cela pourrait provoquer un incendie. Pour retirer les miettes à l'intérieur du grille-pain, renversez-le et secouez-le au-dessus d'une poubelle.
- Essuyez les parties extérieures du grille-pain avec un chiffon sec ou légèrement humide, puis essuyez à l'aide d'un chiffon sec. Évitez toute pénétration d'eau ou d'humidité dans le grille-pain.
- Ne nettoyez pas le grille-pain avec des agents de nettoyage abrasifs ou caustiques. N'utilisez pas de tampons à récurer métalliques. Des morceaux de métal pourraient détériorer la protection et rentrer en contact avec des composants électriques, ce qui présenterait un risque de choc électrique.
- Pour éviter les risques de blessures par choc électrique, ne trempez aucune pièce de cet appareil dans de l'eau ou dans tout autre liquide.

CARACTÉRISTIQUES TECHNIQUES

Tension nominale	120 V
Fréquence nominale	60 Hz
Puissance nominale	800 W

Nous nous réservons le droit de modifier le texte et les caractéristiques techniques.

INSTRUCTIONS ET INFORMATIONS RELATIVES À LA MISE AU REBUT DES MATÉRIEAUX D'EMBALLAGE UTILISÉS

Mettez les matériaux d'emballage au rebut dans un point public de collecte des déchets.

MISE AU REBUT DES APPAREILS ÉLECTRIQUES ET ÉLECTRONIQUES USAGÉS



Le symbole sur le produit, ses accessoires ou son emballage indique que ce produit ne doit pas être traité comme un déchet ménager. Veuillez déposer cet appareil dans votre point de collecte destiné au recyclage des déchets d'équipements électriques et électroniques. Par ailleurs, dans certains pays membres de l'Union européenne ou dans d'autres pays européens, vous pouvez retourner vos appareils à votre revendeur local lorsque vous achetez un nouvel appareil équivalent. Une mise au rebut appropriée de cet appareil permet de préserver des ressources naturelles précieuses et d'éviter des effets négatifs éventuels sur l'environnement et sur la santé humaine, résultant d'une élimination inappropriée. Veuillez contacter vos autorités locales ou le centre le plus proche de collecte des déchets pour plus de détails. La mise au rebut inadéquate de ce type de déchets est une infraction punissable d'amende en vertu des réglementations nationales.

Pour les entités commerciales de l'Union européenne

Si vous souhaitez vous débarrasser d'un appareil électrique ou électronique, obtenez des informations nécessaires auprès de votre vendeur ou fournisseur.

Mise au rebut dans les autres pays non membres de l'Union européenne

Si vous souhaitez vous débarrasser de cet appareil, veuillez contacter les autorités ou votre revendeur pour obtenir les informations nécessaires relatives à la méthode appropriée de mise au rebut.

Grille-pain

STS 30WH-NAA1 / STS 31GR-NAA1 / STS 32BL-NAA1 / STS 33OR-NAA1 / STS 34RD-NAA1
STS 35VF-NAA1 / STS 36YL-NAA1 / STS 37GG-NAA1 / STS 38RS-NAA1 / STS 3XXX-NAA1